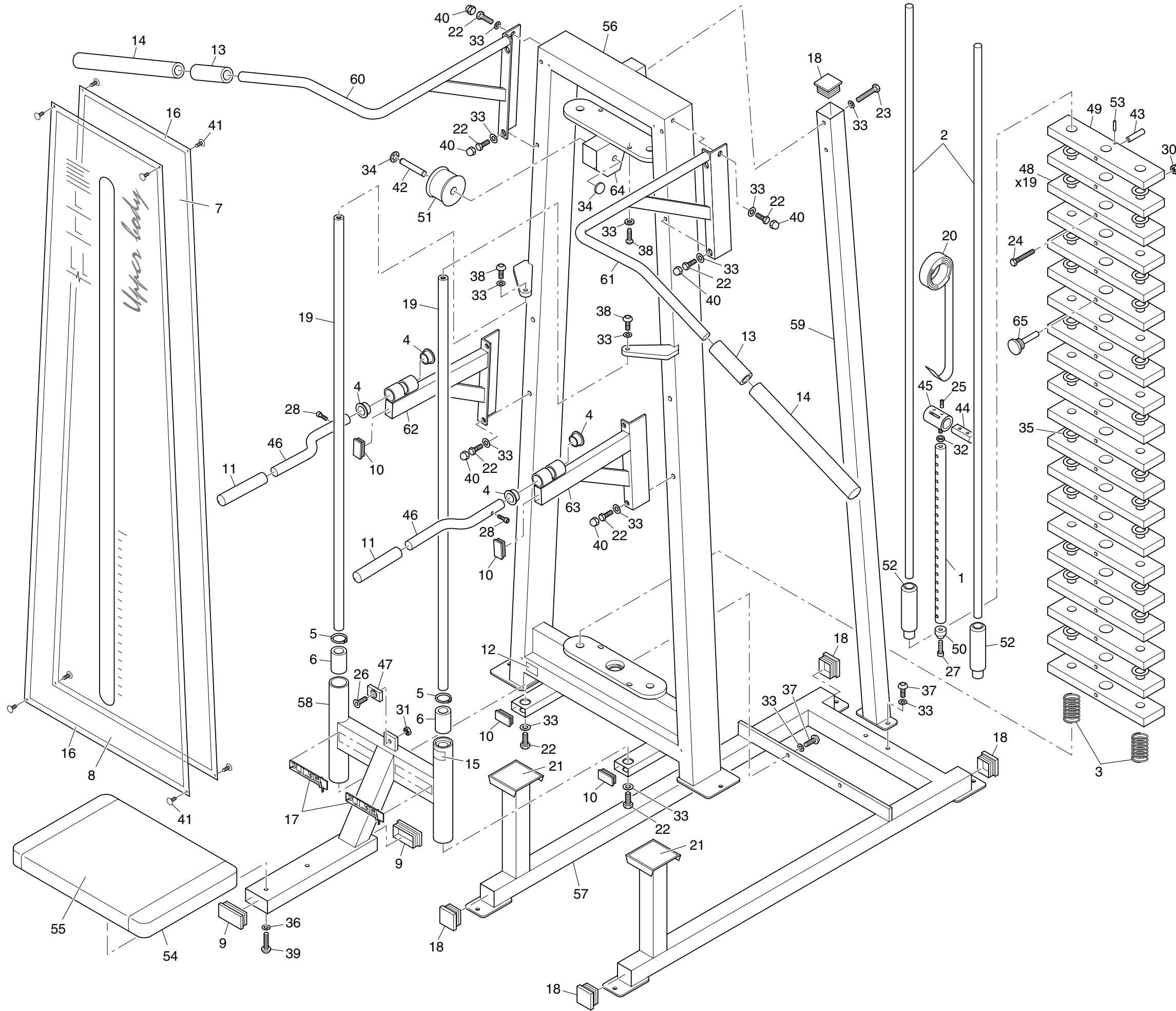


135-108-1



No.	Part No.	Description
1	10-102	Wt Stack Pin x 562 (CHROMED)
2	20-231	Guide Bars 20 Dia x 1815
3	26/002	55mm Compression Spring
4	26/031	FBM20/20 25id 32od x 20 Flanged
5	26/038	1300/40 Circlip - 40od collar
6	26/049	KN2558 Plastic Linear Bearing
7	29/016A	PX116 Rear Perspex Panel
8	29/017A	PX115 Front Perspex Panel
9	30/003	80 x 40 x 1.5-3 Black Ribbed Insr
10	30/009	50 x 25 x 1.25/3 Black Ribbed Insr
11	30/033	22.23mm ID x 204mm Length Grip
12	30/037	Ser No Labels .002in unlined
13	30/048	6 Inch Grip
14	30/049	TF50 Black Sleeve 18in Grips
15	30/064	Lubrication Point Label Self
16	30/070	Magnetic Strip ABR20
17	30/080	120mm Pulse Nameplate (CHROMED)
18	30/222	Endcap 2in x 2in 10-14 Type
19	30-311	25 Dia Case Hardened Shaft
20	33/025	Regulator Strap 25mm Wide
21	34/031	Safety Walk 4in Wide in Reels
22	35/011	M10 x 25 Hex Head
23	35/023	M10 x 70 Hex Head HT Bolt
24	35/029	M10 x 90 Hex Head HT Bolt
25	35/044	M8 x 12 Hex Sckt Grub Screw
26	35/045	M10 x 35 Hex Sckt Csk Hd Screw
27	35/054	M6 x 30 Hex Sckt Knurl Cap Screw
28	35/056	M8 x 15 Hex Sckt Knurl Cap Screw
29	35/067	No 6 x 1/2in Self-Tapping Screw
30	35/068	M10 Domenuts (CHROMED)
31	35/071	M10 Nyloc Nut 'T' Type
32	35/073	M10 Lock Nut Right Hand
33	35/074	M10 Washer Form 'B'
34	35/075	1/2in Starlock Domewasher
35	35/076	Plastic Washer 1.1/2in od
36	35/080	M8 Washer Form A Bright Zinc
37	35/092	M10 x 25 Hex Sckt Button Hd Screw
38	35/097	M10 x 35 Hex Sckt Button Head
39	35/105	M8 x 25 Hex Sckt Button Hd Screw
40	35/113	M10 Blk Protective Cap
41	35/200	Pine Tree Clips G Head
42	30-110	Pulley Spindle x 60mm
43	30-407	12 Dia x 75 Long Tube Spacer
44	30-586	Belt Clamp Bar 22d x 55mm Long
45	30-677	Belt Clamp
46	40-141	Dipping Handle (CHROMED)
47	60-100	Clamp Plates (CHROMED)
48	60-106	75 x 25 x 352 Plastic 5kg Std Wt
49	60-107	75 x 25 x 352 Plastic 5kg Top Wt
50	70-101	Nylon Muffle 25mm Dia
51	70-104	Std Belt Pulley as Drawing
52	70-106	Top Weight Insert
53	26/042	M3 x 25 Seloc Pin
54	U325/0001	Knee Pad
55	U325/0002	Knee Pad Wear Cover
56	325-E1	Main Frame
57	325-E9	Base Frame
58	325-E7	Carrage
59	325-E8	Rear Support
60	325-E4	Chinning Arm LH
61	325-E3	Chinning Arm RH
62	325-E6	Dipping Arm LH
63	325-E5	Dipping Arm RH
64	325-E2	Pulley Assembly
65	Mag Pin	Multi Pin 30-835