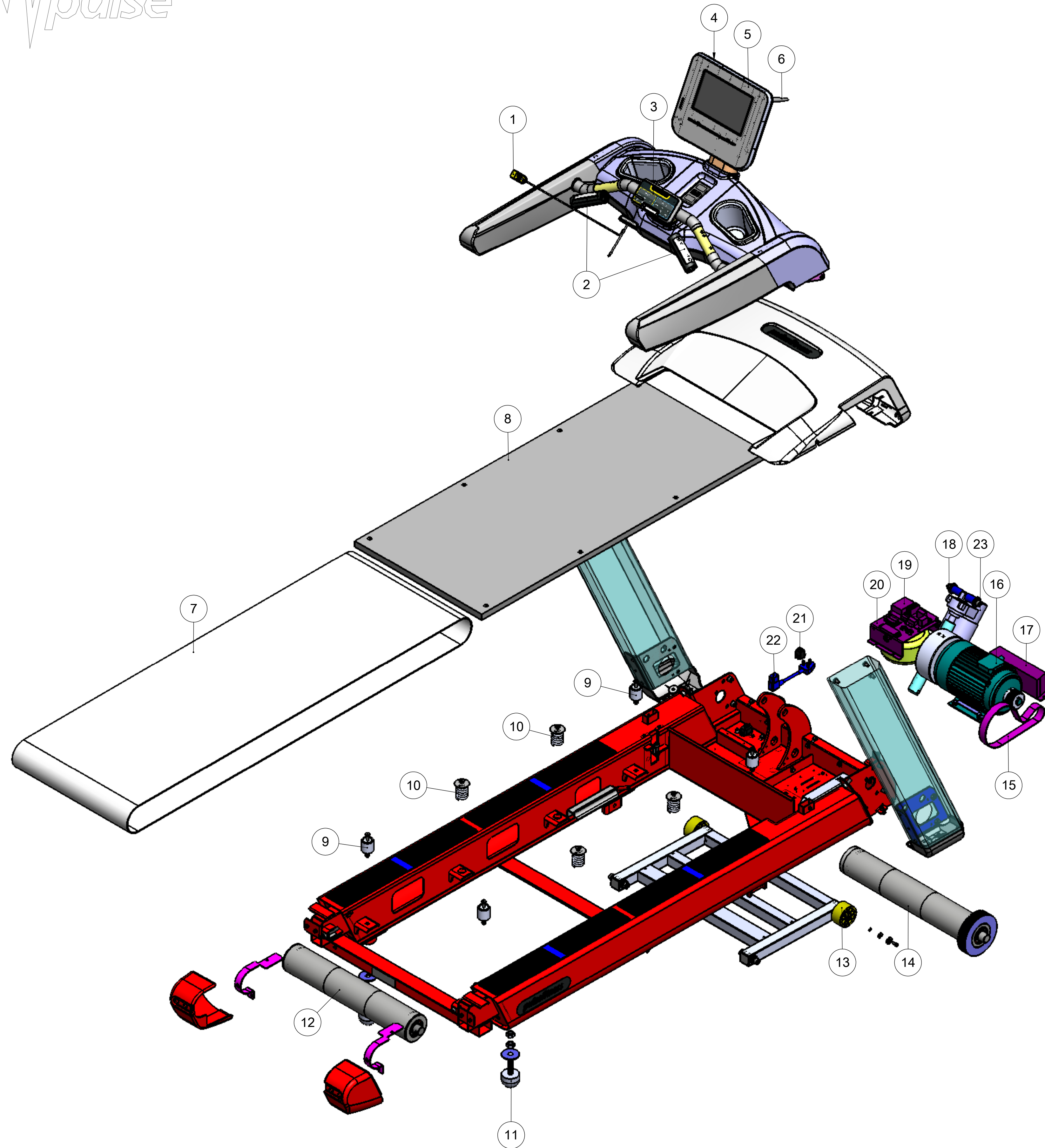
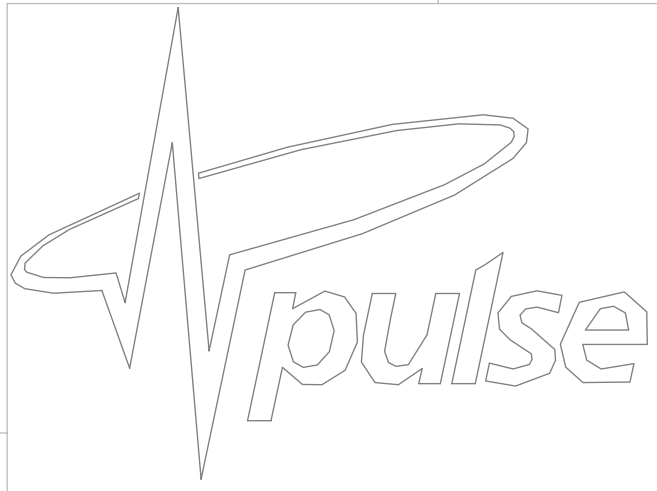


ITEM N.o	PART N.o	DESCRIPTION	QTY
1	260-G39-3	260G SAFETY STOP CLIP ASSY	1
2	26/1285-1	HAND PULSE SENSOR MOULDING	2
3	115-607-4	QUICK CONTROL PANEL OVERLAY	1
4	260-G42-1	260G WIRELESS CONSOLE	1
5	260-G43-1	260G DIGITAL CONSOLE	1
	115-558-3	CONSOLE OVERLAY 260G	
6	26/338-2	3dbi 2.4GHz ANTENNA- WIRELESS ONLY	1
7	33-077-1	260G RUNNING BELT	1
8	90-355	260G RUNNING BOARD	1
9	70-417-2	JOGGER SUSPENSION BUFFER	4
10	26/002	C7275 COMPRESSION SPRING X55 LONG	4
11	70-416	RUBBER FOOT MOULDING	2
12	260-G02-1	260G TENSION ROLLER ASSY	1
13	33-033-2	WHEEL	2
14	260-G03-1	260G DRIVE ROLLER ASSY	1
15	26/1305-1	260G PLOYVEE BELT J12-29" (735)	1
16	260-G21-1	260G DRIVE MOTOR ASSY (KSP128-A657-3HP MOTOR)	1
17	26/1352	RHYMEBUS AC DRIVE	1
18	26/1216-1	260G ACTUATOR	1
19	26/1362-1	G.D POWER PFC XT6600-1 CHOKE	1
20	26/1361-1	POWERTEC GD-10-CA8000S	1
21	26/919	ON/OFF SWITCH C1550AA	1
22	26-1310-1	MAINS CABLE WITH PLUG	1
23	28/217	POTENTIOMETER 260G	1





ITEM N.o	PART N.o	DESCRIPTION	QTY
1	260-G39-3	260G SAFETY STOP CLIP ASSY	1
2	26/1285-1	HAND PULSE SENSOR MOULDING	2
3	115-607-4	QUICK CONTROL PANEL OVERLAY	1
4	260-G42-1	240G WIRELESS CONSOLE	1
	260-G43-1	240G DIGITAL CONSOLE	
5	115-558-3	CONSOLE OVERLAY 260G	1
6	26/338-2	3dbi 2.4GHZ ANTENNA- WIRELESS ONLY	1
7	33-077-1	260G RUNNING BELT	1
8	90-355	260G RUNNING BOARD	1
9	70-417-2	JOGGER SUSPENSION BUFFER	4
10	26/002	C7275 COMPRESSION SPRING X55 LONG	4
11	70-416	RUBBER FOOT MOULDING	2
12	260-G02-1	260G TENSION ROLLER ASSY	1
13	33-033-2	WHEEL	2
14	260-G03-1	260G DRIVE ROLLER ASSY	1
15	26/1305-1	260G POLYVEE BELT J12-29" (735)	1
16	260-G21-1	260G DRIVE MOTOR ASSY (MOTOVARIO MOTOR)	1
17	26/296-3	LENZE INVERTER	1
18	26/1216-1	260G ACTUATOR	1
19	100-199-2	PSU BOARD (G ONLY)	1
20	260-G17-1	PSU ASSY (G ONLY)	1
21	26/919	ON/OFF SWITCH C1550AA	1
22	26/1310-1	MAINS CABLE WITH PLUG	1
23	28/217	POTENTIOMETER 260G	1