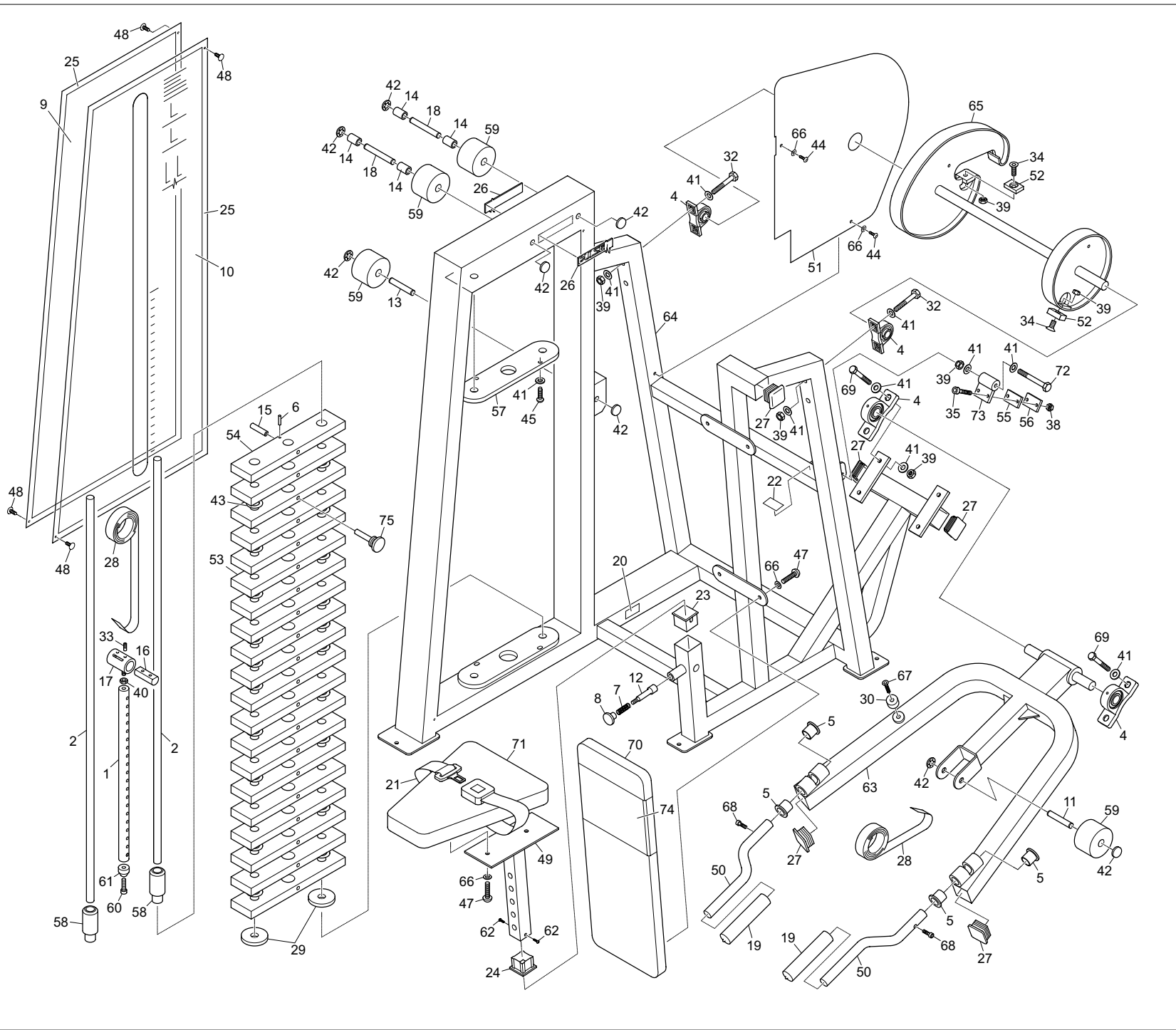


135-110-1



No.	Part No.	Description
1	10-102	Wt Stack Pin x 562 (CHROMED)
2	20-229	Guide Bars x 1302
3	26/001	Plunger Compression Spring
4	26/022	UCP205/25 25id Cast Pillow Blk
5	26/031	FBM20/20 25id 32od x 20
6	26/042	Seloc Pin M3 x 25
7	26/067	Plunger Comp Spring S/S
8	26/100	Black Knob M8 Thread T1578
9	29/047A	PX147 Rear Panel 585 x 1345
10	29/067A	PX167 Front Panel
11	30-214	Pulley Spindle x 72
12	30-276	Plunger
13	30-281	Pulley Spindle x 76
14	30-326	Pulley Spacers for 100mm RHS
15	30-407	12 Dia x 75 long Tube Spacer
16	30-586	Belt Clamp Bar 22d x 55mm long
17	30-677	Belt Clamp
18	30-985	Pulley Spindle x 110
19	30/033	22.23mm ID x 204mm Length Grip
20	30/037	Ser No Labels .002in unlined
21	30/040	SS002 Restraint Straps
22	30/062	Check Point Labels
23	30/065	Black Outer Inserts 40 x 40 x 2
24	30/066	White Inner Inserts 40 x 40 x 2
25	30/070	Magnetic Strip ABR20
26	30/080	120mm Pulse Nameplate (CHROMED)
27	30/222	Endcap 2in x 2in 10-14 Type
28	33/025	Regulator Strap 25mm Wide
29	34/001	Weight Stack Buffers 70od x 21
30	34/013	Rubber Bump Stop 25d x 20
31	35/009	M10 x 40 Hex Head HT Bolt
32	35/024	M10 x 80 Hex Head HT Bolt
33	35/044	M8 x 12 Hex Sckt Grub Screw
34	35/045	M10 x 35 Hex Sckt Csk Hd Screw
35	35/055	M8 x 35 Hex Sckt Knurl Cap Screw
36	35/056	M8 x 16 Hex Sckt Knurl Cap Screw
37	35/068C	M10 Dometnuts (CHROMED)
38	35/069	M8 Nyloc Nut T Type
39	35/071	M10 Nyloc Nut T Type
40	35/073	M10 Lock Nut Right Hand
41	35/074	M10 Washer Form B
42	35/075	1/2in Starlock Dometwasher
43	35/076	Plastic Washer 1.1/2in od
44	35/093	M6 x 12 Hex Sckt Button Hd Screw
45	35/097	M10 x 35 Hex Sckt Button Hd Screw
46	35/103	M8 x 11 T-Nuts Code TNT021
47	35/108	M8 x 30 Hex Sckt Button Hd Screw
48	35/200	Pine Tree Clips G Head
49	370-101	Seat for 370
50	40-141	Dipping Handle (CHROMED)
51	6-224	Belt Guard x 2mm Thick
52	60-100	Clamp Plates (CHROMED)
53	60-106	75 x 25 x 352 Plastic 5kg Std Wt
54	60-107	75 x 25 x 352 Plastic 5kg Top Wt
55	60-238	Belt Clamp Packer Aluminium
56	60-239	Belt Clamp Plate (CHROMED)
57	60-264	Guide Bar Locating Plate
58	70-272	Top Weight Insert
59	70-301	Pulley for low Line Models
60	35/054	M6 x 30 Hex Sckt Knurl Cap Screw
61	70-101	Nylon Muffe 25mm Dia
62	35/064	No.6 x 1/2in Self Tappers
63	370-E5	Arm Assembly
64	370-E6	Main Frame
65	370-E7	Cam Assembly
66	35/080	M8 Washer Form A Bright Zinc
67	35/034	Hex Sckt Csk Hd Screw
68	35/056	M8 x 15 Hex Sckt Knurl Cap Screw
69	35/019	M10 x 50 Hex Head HT Bolt
70	U370/0001	Back Board Pad
71	U370/0002	Seat Pad
72	35/023	M10 x 70 Hex HT Bolt
73	577-101	Belt Clamp
74	U305/0003	Back Board Wear Cover
75		Mag Pin Multi Pin 30-835