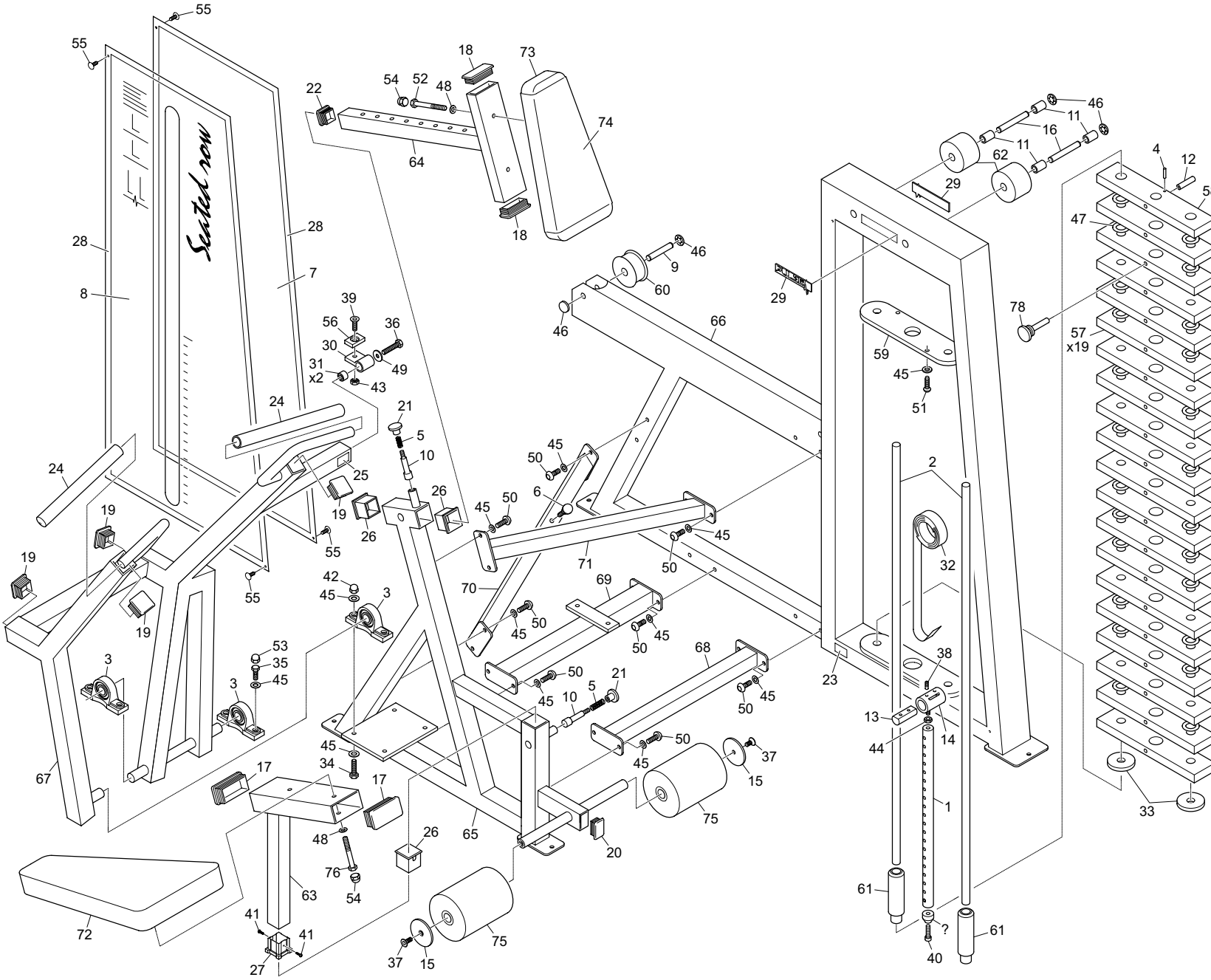


135-111-2



No.	Part No.	Description
1	10-102	Wt Stack Pin x 562 (CHROMED)
2	20-229	Guide Bars x 1302
3	26/022	UCP205/25 25sid Cast Pillow Blk
4	26/042	3 x 25 Selloc Pin
5	26/067	Plunger Comp Spring S/S
6	26/263	Conical Bump stop
7	29/047A	PX147 Rear Panel 585 x 1345
8	29/068A	PX168 Front Panel
9	30-110	Pulley Spindle x 60mm
10	30-276	Plunger
11	30-326	Pulley Spacers for 100mm RHS
12	30-407	12 Dia x 75 long Tube Spacer
13	30-586	Belt Clamp Bar 22d x 55mm long
14	30-677	Belt Clamp (CHROMED)
15	30-735C	75mm od 9.5 id Washer (CHROMED)
16	30-985	Pulley Spindle x 110
17	30/002	100 x 50 x 2-4 Black Ribbed Insert
18	30/003	80 x 40 x 1.5-3 Black Ribbed Insert
19	30/005	50 x 50 x 3.2/5 Black Ribbed Insert
20	30/006	50 x 30 x 2.6/3.2 Black Ribbed Insert
21	30/022	Blk Plastic Knob with M10 thrd
22	30/027	Plastic Insert 40 x 40 x 2.5
23	30/037	Ser No Labels .002in unlined
24	30/053	Grips 24.90 mm ID x 330mm Long
25	30/062	Check Point Labels Self Adh
26	30/065	Black Outer Inserts 40 x 40 x 2
27	30/066	White Inner Inserts 40 x 40 x 2
28	30/070	Magnetic Strip ABR20
29	30/080	120mm Pulse Nameplate (CHROMED)
30	305-101	Swivel Bearing Sub Assembly
31	26/083	Radial Ball Bearing 10mm ID
32	33/025	Regulator Strap 25mm wide
33	34/013	Rubber Bump Stop 25d x 20
34	35/009	M10 x 40 Hex Head HT Bolt
35	35/017	M10 x 30 HT Bolt
36	35/022	M10 x 60 Hex Head HT Bolt
37	35/039	M8 x 20 Counter Sunk Cap Screw
38	35/044	M8 x 12 Hex Sckt Grub Screw
39	35/045	M10 x 35 Hex Sckt Csk Hd Screw
40	35/054	M6 x 30 Hex Sckt Knurl Cap Screw
41	35/067	No 6 x 1/2 in Self-Tapping Screw
42	35/068C	M10 Domenuts (CHROMED)
43	35/071	M10 Nyloc Nut 'T' Type
44	35/073	M10 Lock Nut Right Hand
45	35/074	M10 Washer Form 'B'
46	35/075	1/2in Starlock Dornwasher
47	35/076	Plastic Washer 1.1/2in od
48	35/080	M8 Washer
49	35/081	M10 Washer Special 30od 12id
50	35/092	M10 x 25 Hex Skt Button Hd Screw
51	35/097	M10 x 35 Hex Skt Button Hd Screw
52	35/109	M8 x 65 Hex Head HT Bolt
53	35/113	M10 Black Protection Cap
54	35/122	M8 Black Protection Cap
55	35/200	Pine Tree Clips G Head
56	60-100	Clamp Plates (CHROMED)
57	60-106	75 x 25 x 352 Plastic 5kg Std Wt
58	60-107	75 x 25 x 352 Plastic 5Kg Top Wt
59	60-264	Guide Bar Locating Plate
60	70-104	Std Belt Pulley Drawing
61	70-272	Top Weight Insert
62	70-301	Pulley for low Line Models
63	445-102	Welded Seat Adjuster (CHROMED)
64	445-103	Welded Chest Support (CHROMED)
65	445-E2	Side Frame Assembly
66	445-E3	Seat Frame Assembly
67	445-E4	Arm Assembly
68	445-E6	Lower Support Strut
69	445-E8	Front Lower Support Strut
70	445-E5	Lower Support Strut Diagonal
71	445-E7	Front Support Upper
72	U445/0004	Seat Pad
73	U445/0002	Chest Pad
74	U445/0003	Chest Pad Wear Cover
75	U445/0001	61/2" Roller
76	35/018	M8 x 75 Hex Head HT Bolt
77	70-101	Nylon Muffel
78	Mag Pin	Multi Pin 30-835

445E Seated Row