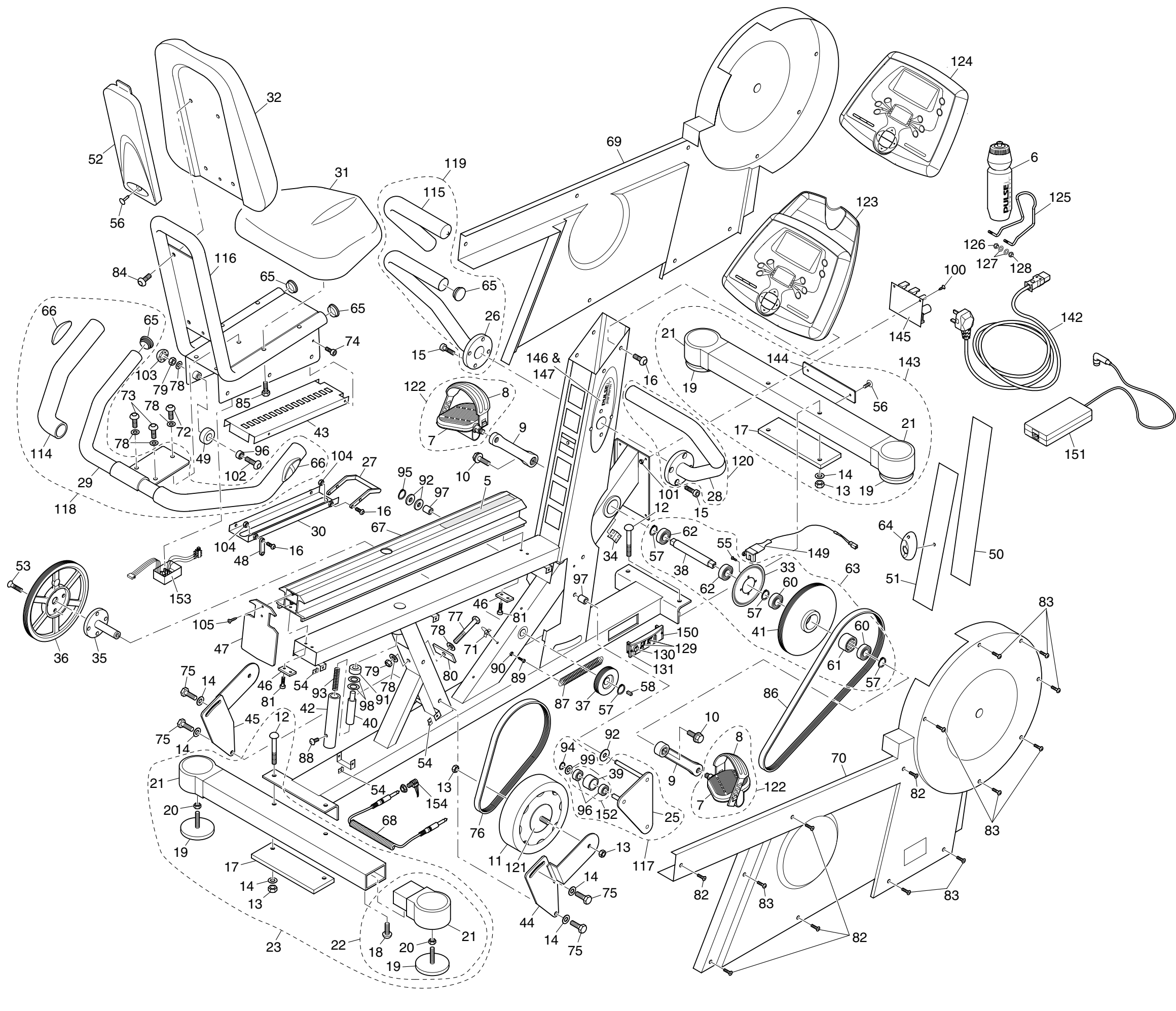
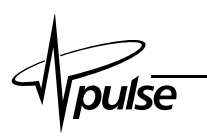


135-190-3



No.	Part No.	Description
5	115-113-1	Increment Decal
6	26/922	Plastic Bottle
7	26/087	Exercise Pedals (Pair)
8	26/088	Exercise Cycle Pedal Footstraps (Pair)
9	26/207	Pedal Crankarms (Pair)
10	35/320	Pedal Arm Bolts
11	26/970	Eddy Current Brake (04/00-<)
12	35/315	M8 x 70 Coach Bolt
13	35/069	M8 Nyloc Nut Type T
14	35/080	M8 Flat Washer Form A
15	35/036	M8 x 20 Skt HD Knurled Cap Screw
16	35/153	M6 x 12 Hex Skt Button HD Screw
17	60-442	Feet Strut Clamping Plate
18	35/096	M6 x 20 Hex Skt Button HD Screw
19	70-290	Foot Casting Pad
20	35/073	M10 Lock Nut Right Hand
21	60-320	Foot Casting
22	240-E11	Adjustable Foot Assembly
23	240-F04-1	Rear Stabilizer Assembly
25	250-E4	Tensioner
26	250-E5	Left Hand Front Handlebar Assembly
27	250-E6	Welded Handle Assembly
28	250-E7	Right Hand Front Handlebar Assembly
29	250-E8	Seat Handle Assembly
30	250-E10	Seat Adjuster Plate Assembly
31	250-E11	Seat Base Assembly
32	250-E13	Back Rest Assembly
33	6-262	Encoding Disc
34	6-271	Encoder Mounting Bracket
35	30-304	Idler Shaft
36	30-306	Dia 225 Disc
37	30-307	Idler Pulley Dia 74
38	30-580	Crank Spindle
39	30-778	Idler Tension Pulley
40	30-814	Location Peg
41	30-850	Drive Pulley
42	30-993	Spring Housing
43	40-173	Seat Adjuster
44	40-269	Eddy Brake Mounting Plate (RH)
45	40-270	Eddy Brake Mounting Plate (LH)
46	60-340	Clamp (Seat Track-Front)
47	60-381	Rear End Plate
48	60-389	Handle Linkage
49	70-200	Black PVC Wheel
50	70-333	Rear Infill Strip
51	70-348	Front Infill Strip
52	70-354	Seat Back Rest Facure Panel
53	35/035	M6 x 15 Hex Skt Cank HD Screw
54	35/135	U Nuts Code UP8104G100
55	35/318	M3 x 8 Poz PN HD Screw
56	35/200	Pine Tree Clips H Head (Flat)
57	26/242	Ø20mm External Circlip
58	60-103	Key Steel 6mm Square x18mm Long
60	26/085	Rotary Ball Bearing 6004.2 zz
61	26/100	Clutch Bearing 42 x 35 x 20
62	26/113	Ina Bearing 64z
63	240-E09	Complete Drive Pulley Assembly
64	70-355	Cardio Theater Plug In Moulding
65	70-367	Handle Bar Insert 34 O/D
66	26/959	Hand Pulse Sensors/Cables for 250E
67	60-116	Seat Track
68	105-113	Heart Rate Coiled Cable
69	70-322	Recumbent Cycle Side Panel (LH)
70	70-323	Recumbent Cycle Side Panel (RH)
71	130-101	Cable Tie Holder
72	35/092	M10 x 25 Hex Skt Button HD Screw
73	35/322	M10 x 20 Hex Skt Button HD Screw
74	35/093	M6 x 20 Hex Skt Knurled Cap Screw
75	35/014	M8 x 20 Hex HD HT Bolt
76	33/059	Polyvee Belt J6 x 955mm Long
77	35/023	M10 x 70 Hex HD HT Bolt
78	35/074	M10 Washer Form B
79	35/071	M10 Nyloc Nut Type T
80	60-377	Tensioner Bracket
81	35/036	M8 x 20 Skt HD Knurled Cap Screw
82	35/152	No.8 x 5/8 Poz Flange
83	35/319	M5 x 15 Poz PN HD Screw
84	35/316	M8 x 15 Hex Skt Button HD Screw
85	35/016	M8 x 60 Hex HD HT Bolt
86	33/047	Polyvee Belt P.1245/490 J6
87	31-439	Tension Spring E1754/100mu
88	35/226	M6 x 15 Hex Skt Button HD Screw
89	35/054	M6 x 30 Hex Skt Knurled Cap Screw
90	35/142	M6 Full Nut Zinc Plated
91	70-204	Nylon Slide Washer
92	70-299	Tension Arm Facker
93	26/112	Compression Spring 50mm Long
94	26/253	Ø10mm External Circlip
95	26/969	Ø12mm External Circlip
96	26/083	Radial Ball Bearing 6000Z RS
97	31-432	Bush 1/2in Dia x 3/4in Long
98	70-352	Nylon Bush 29mm OD x 0.75mm Thick
99	35/394	M10 Washer 1.5mm Thick x 16mm OD
100	35/242	M4 x 8 Hex Skt Button HD Screw
101	35/120	M4 Nyloc Nut Zinc Plated
102	35/097	M10 x 35 Hex Skt Button HD Screw
103	35/325	M10 Domed Nutcap
104	35/085	M6 Nyloc Nut Type T
105	35/026	M6 x 13 Poz PN HD Self Tapper
107	105-108-1	5V Supply, from PSU to Console (from item 3)
108	105-110-3	Control Cable, from CPU to PSU (from item 1 to 3)
109	105-111-3	Mains Cable, from Inlet to PSU (from item 24 to 3)
110	105-112-2	Brake Control Cable (from item 1 to 3)
111	105-115-5	Heart Rate Sensor Cable, from Seat to Jack Plug
112	105-116-5	Heart Rate Sensor Cable, from Handlebar Sensors to Seat
113	105-117-4	Heart Rate Sensor Cable, from Console to Seat
114	70-376-1	Seat Handle Grip for 250
115	70-377-1	Handle Bar Grip
116	250-E3	Seat Frame Welded Assembly
117	250-1	Tension Ass Inc. Tension Pulley
118	250-2	Seat Handlebar Ass Inc. H/Grips + H/Rate
119	250-3	Front LH H/Bar Assy c/w H/Grip
120	250-4	Front RH H/Bar Assy c/w H/Grip
121	26/1058	6002ZZ Brg
122	26/087	Pairs - Pedals & Straps Complete
123	26/960F	Console Assembly Complete 'F' Range
124	115-137-2	Console facia Assembly
125	40-377-3	Bottle Rack
126	35/085	M6 Nyloc Nut
127	35/282	M6 Penny Washer
128	35/142	M6 Full Nut
129	100-185-1	DIN Socket
130	100-135-1	Round Rocker Switch
131	115-151-1	Decal
132	105-150	Power Input Cable 19V
133	105-118-3	RS 485 Cable x 300
134	105-149-2	Cardio Theater Jack Socket
135	105-153-2	Brake Control Cable
136	105-156-2	19V Powercable Assembly
137	105-171	RJ45 Coily Cable
138	105-159-1	Audio Cable
139	105-160-1	Handpulse Adapter Cable
140	105-161-1	RS 485 Cable x 500
141	250-E16-1	Hand Pulse Prac. Front End Assembly
142	26/904	Mains Lead 2M Black
143	240-F03-1	Front Stabilizer Assembly
144	70-451	PSU Cover
145	100-117	Control Board
146	115-158	R.H. Column Decal
147	115-159	L.H. Column Decal
148	105-100	Polar Cable Assembly
149	105-152	Encoder Unit & Cable
150	6-306-1	Switch Mounting Bracket
151	240-F01-4	19V PSU Assembly
152	240-F02-1	Tension Pulley Assembly
153	250-E16-3	Handpulse Processor Assembly
154	100-149	3 Pole Stereo Jack

* = Not Shown in Illustration



www.pulsefitness.com

250F *perform*