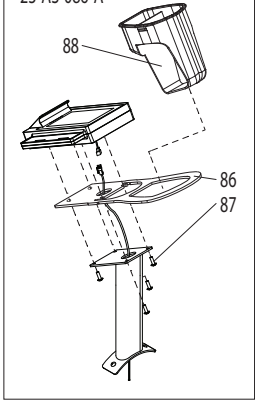


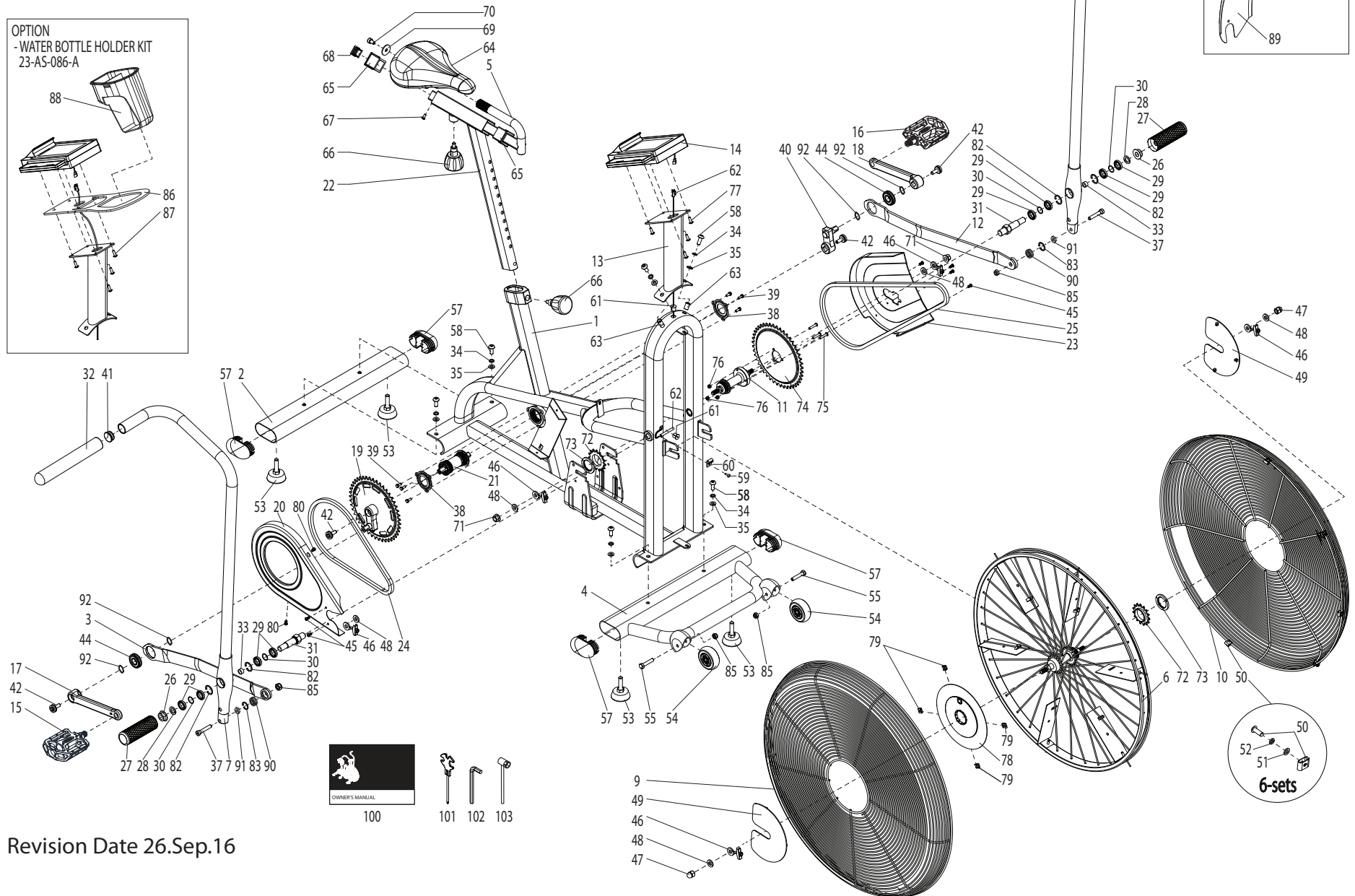
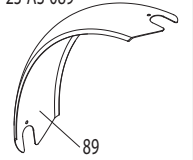
# ASSAULT AIRBIKE

## ASSAULT AirBike Exploded Diagram

OPTION  
- WATER BOTTLE HOLDER KIT  
23-AS-086-A



OPTION  
- WIND SHIELD  
23-AS-089



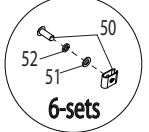
100



101

102

103



6-sets

Revision Date 26.Sep.16

# ASSAULT AIRBIKE

## ASSAULT AirBike Parts List

| No. | SKU #       | Description   | Qty |
|-----|-------------|---|-----|
| 1   | 23-AS-001   | Main Frame  | 1   |
| 2   | 23-AS-002   | Rear Stabilizer                                       | 1   |
| 3   | 23-AS-003   | Linkage Arm   | 1   |
| 4   | 23-AS-004   | Front Stabilizer                                      | 1   |
| 5   | 23-AS-005   | Seat Slide Rail                                       | 1   |
| 6   | 23-AS-006   | Fan Wheel Assembly                                    | 1   |
| 7   | 23-AS-007   | Handle Bar - Right                                    | 1   |
| 8   | 23-AS-008   | Handle Bar - Left                                     | 1   |
| 9   | 23-AS-009   | Fan Cage - Right                                      | 1   |
| 10  | 23-AS-010   | Fan Cage - Left                                       | 1   |
| 11  | 23-AS-011   | Middle Hub Assembly                                   | 1   |
| 12  | 23-AS-012   | Linkage Arm - Left                                    | 1   |
| 13  | 23-AS-013   | Console Mast  | 1   |
| 14  | 23-AS-014   | Assault AirBike Computer/Console                      | 1   |
| 15  | 23-AS-015-1 | Pedal - Right   | 1   |
| 16  | 23-AS-016-1 | Pedal - Left  | 1   |
| 17  | 23-AS-017-1 | Crank Arm - Right                                     | 1   |
| 18  | 23-AS-018-1 | Crank Arm - Left                                      | 1   |
| 19  | 23-AS-019-2 | Bell Crank/Chain Wheel - Right                        | 1   |
| 20  | 23-AS-020   | Chain Guard - Right                                   | 1   |
| 21  | 23-AS-021   | Bottom Bracket Assembly                               | 1   |
| 22  | 23-AS-022   | Seat Post   | 1   |
| 23  | 23-AS-023   | Chain Guard - Left                                    | 1   |
| 24  | 23-AS-024-1 | Chain - Right Side 1/2x1/8" 64L                       | 1   |
| 25  | 23-AS-025-1 | Chain - Left Side 1/2x1/8" 98L                        | 1   |
| 26  | 23-AS-026   | Handlebar Pivot Fixing Nut M14                        | 2   |
| 27  | 23-AS-027-1 | Foot Peg, Steel                                       | 2   |
| 28  | 23-AS-028   | Plastic Washer $\Phi 14.5 \times \Phi 22 \times 1.0T$ | 2   |
| 29  | 23-AS-029   | Ball-Bearing 6803ZZ                                   | 8   |
| 30  | 23-AS-030   | Flat Washer $\Phi 17.2 \times \Phi 19.5 \times 1.0T$  | 4   |
| 31  | 23-AS-031   | Handlebar Pivot 91.4mm                                | 2   |
| 32  | 23-AS-032   | Handle Bar Grip                                       | 2   |
| 33  | 23-AS-033   | Spacer $\Phi 22.2 \times \Phi 11.8 \text{mm}$         | 2   |
| 34  | 23-AS-034   | Lock Washer M8  | 6   |
| 35  | 23-AS-035   | Flat Washer $\Phi 8 \times \Phi 16 \times 1.5T$       | 6   |
| 37  | 23-AS-037-1 | Linkage Arm Pivot Pin M8x43.0mm                       | 2   |
| 38  | 23-AS-038   | Bottom Bracket Retaining Ring                         | 2   |
| 39  | 23-AS-039   | Hex Screw M5x12mm                                     | 6   |
| 40  | 23-AS-040-2 | Bell Crank - Left                                     | 1   |
| 41  | 23-AS-041   | Handle Bar End Cap                                    | 2   |
| 42  | 23-AS-042   | Crank/Bell Crank Fixing Bolt                          | 2   |
| 44  | 23-AS-044   | Ball-Bearing 99502ZZ w/Cir-Clips                      | 2   |
| 45  | 23-AS-045   | Self-Tapping Screw M5x8mm                             | 6   |
| 46  | 23-AS-046   | Chain Tensioner                                       | 4   |
| 47  | 23-AS-047   | Acorn Nut 3/8"x26                                     | 2   |

| No. | SKU #       | Description  | Qty |
|-----|-------------|--|-----|
| 48  | 23-AS-048   | Flat Washer $\Phi 10.0 \times \Phi 20.0 \times 3.0T$ | 4   |
| 49  | 23-AS-049   | Fan Cage Cover - Black                               | 2   |
| 50  | 23-AS-050   | Fan Cage Clip & Nut                                  | 6   |
| 51  | 23-AS-051   | Flat Washer $\Phi 5.0 \times \Phi 10.0 \times 1.0T$  | 6   |
| 52  | 23-AS-052   | Lock Washer M5                                       | 6   |
| 53  | 23-AS-053   | Stabilizer Leveling Foot                             | 4   |
| 54  | 23-AS-054   | Stabilizer Transport Wheel                           | 2   |
| 55  | 23-AS-055   | Hex Bolt M8x40.0x20.0mm                              | 2   |
| 57  | 23-AS-057   | Stabilizer End Cap 40x80mm                           | 4   |
| 58  | 23-AS-058   | Button Head Screw M8x20mm                            | 6   |
| 59  | 23-AS-059   | Self Tapping Screw M4x16mm                           | 1   |
| 60  | 23-AS-060   | Speed Sensor Mounting Bracket                        | 1   |
| 61  | 23-AS-061   | Cable Bushing $\Phi 12.7$                            | 2   |
| 62  | 23-AS-062   | Speed Sensor Cable                                   | 1   |
| 63  | 23-AS-063   | Rivnut   | 2   |
| 64  | 23-AS-064   | Saddle   | 1   |
| 65  | 23-AS-065   | Seat Slide Bushing                                   | 2   |
| 66  | 23-AS-066   | Pop Pin Knob   | 2   |
| 67  | 23-AS-067   | Phillips Screw M5x10mm                               | 1   |
| 68  | 23-AS-068   | Seat Slide End Cap 25x25mm                           | 1   |
| 69  | 23-AS-069   | Flat Washer $\Phi 8.5 \times \Phi 30.0 \times 2.0T$  | 1   |
| 70  | 23-AS-070   | Socket Head Screw M8x12mm                            | 1   |
| 71  | 23-AS-071   | Flange Nut 3/8"x26                                   | 2   |
| 72  | 23-AS-072   | Drive Cog 14T  | 2   |
| 73  | 23-AS-073   | Drive Cog Lockring                                   | 2   |
| 74  | 23-AS-074   | Chain Wheel 46T                                      | 1   |
| 75  | 23-AS-075   | Button Head Screw M5x25mm                            | 3   |
| 76  | 23-AS-076   | Nylock Nut M5  | 3   |
| 77  | 23-AS-077   | Phillips Screw M5x10mm                               | 4   |
| 78  | 23-AS-078   | Speed Sensor Magnet & Plate                          | 1   |
| 79  | 23-AS-079   | Speed Sensor Plate Clip                              | 4   |
| 80  | 23-AS-080   | Hex Screw M5x10mm                                    | 2   |
| 82  | 23-AS-082   | Cir-Clip RTW-26                                      | 4   |
| 83  | 23-AS-083   | Cir-Clip RTW-22                                      | 2   |
| 85  | 23-AS-085-1 | Nylock Nut M8x9.5t                                   | 4   |
| 86  | 23-AS-086   | Water Bottle Mounting Plate                          | 1   |
| 87  | 23-AS-087   | Phillips Screw M5x15mm                               | 4   |
| 88  | 23-AS-088   | Water Bottle Cage                                    | 1   |
| 89  | 23-AS-089   | Wind Shield  | 1   |
| 90  | 23-AS-090   | Spherical Bearing PB8                                | 2   |
| 91  | 23-AS-091   | Flat Nut M8x1.25x4.0t                                | 2   |
| 92  | 23-AS-092   | Wave Washer $\Phi 21.6 \times \Phi 15.6 \times 0.3t$ | 4   |
| 100 | 23-AS-100   | Owner's Manual                                       | 1   |
| 101 | 23-AS-101   | 13/15/22mm Phillips Driver                           | 1   |
| 102 | 23-AS-102   | Hex Wrench M6  | 1   |
| 103 | 23-AS-103   | Box Wrench 13mm                                      | 1   |