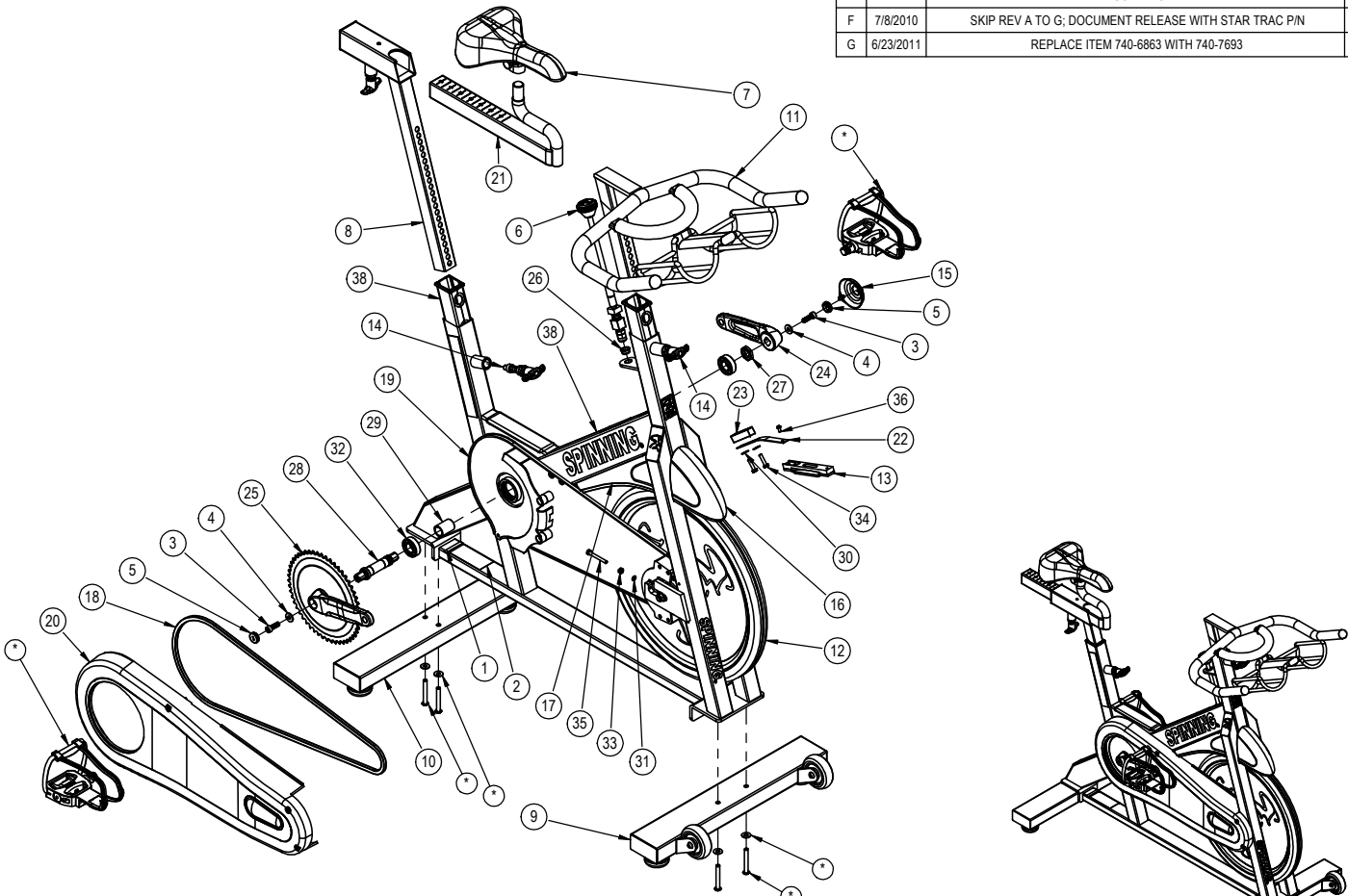


9	8	7	6	5	4	3	2	1	
J	ITEM NO.	PART NUMBER	DESCRIPTION	QTY.					
	1	050-2115	LABEL, COUNTRY OF ORIGIN	1					
	2	050-2125	LABEL, SERIAL NO., OEM UNIV	1					
	3	110-3464	SCREW, M8X1.0X25MM, SHC, HK, BO	2					
	4	120-3325	WASHER, FLAT, ID 8.23MM, OD 19.68MM, 2.75THK	2					
	5	140-3322	CAP, CRANK, W/M22X1.0 SCREW	2					
I	6	727-0054	ASSY., BRAKE KNOB, SPINNER 6800/6900	1					
	7	727-0060	SEAT, VELO, SPINNER PRO	1					
	8	740-6851	ASSY, SEAT POST, ELITE/PRO, 7080/7070	1					
	9	740-6852	ASSY, FOOT, FRONT, ELITE/PRO, 7080/7070	1					
	10	740-6853	ASSY, FOOT, REAR, ELITE/PRO, 7080/7070	1					
H	11	740-6860	HANDLE BAR, WATER BOTTLE CAGE, 7080/7070	1					
	12	740-6870	ASSY, FLYWHEEL, NXT	1					
	13	740-6872	KIT, ASSY, PAD, BRAKE, SPINNER, 7090/8070/60	1					
	14	740-6873	POP PIN, ELITE/PRO, 7080/7070	2					
G	15	740-6878	ASSY, CAP, BB, ELITE/PRO, 7080/7070	1					
	16	740-6879	ASSY, FENDER, FRONT, ELITE/PRO, 7080/7070	1					
	17	740-6880	ASSY, FENDER, REAR, ELITE/PRO, 7080/7070	1					
	18	740-6899	CHAIN, 112LINK, ELITE/PRO, 7080/7070	1					
	19	740-6904	ASSY, CHAIN GUARD, INNER, 7080/7070	1					
F	20	740-6907	ASSY, CHAIN GUARD, OUTER, 7080/7070	1					
	21	740-6917	SLIDER, SEAT, ELITE/PRO, 7080/7070	1					
	22	740-7019	PLATE, BRAKE PAD	1					
	23	740-7022	BLOCK, BRAKE RETAINER, SPINNER	1					
E	24	740-7101	CRANK, LEFT	1					
	25	740-7102	CRANK-RIGHT	1					
	26	740-7123	SLEEVE, TENSION KNOB	1					
	27	740-7159	NUT, AXLE B/B	1					
	28	740-7160	B/B AXLE	1					
D	29	740-7161	SPACER, AXLE, B/B	1					
	30	740-7164	WASHER, PLAIN, M6, SS	2					
	31	740-7167	WASHER, LOCK, SPLIT, M6	2					
	32	740-7170	BEARING, 20 ID, 42 OD, 12THK	2					
	33	740-7174	NUT, M6, HE, SS	2					
	34	740-7175	SCREW, M6X1.0X25, HHM, HE, SS	2					
	35	740-7176	SCREW, M6X1.0X50, HHM, HE, SS	2					
	36	740-7182	SCREW, M5X0.8X10, BHC, HE, SS	1					
	38	740-7686	ASSY, FRAME W/LOGOS	1					
	38	740-7693	SLEEVE, SEAT POST	2					

REVISION HISTORY				
REV	DATE	DESCRIPTION	ECO	BY
F	7/8/2010	SKIP REV A TO G; DOCUMENT RELEASE WITH STAR TRAC P/N	13371	FJM
G	6/23/2011	REPLACE ITEM 740-6863 WITH 740-7693	13460	DMM



NOTICE OF PROPRIETARY INFORMATION  
 THIS DOCUMENT SHALL NOT BE REPRODUCED NOR SHALL THE INFORMATION CONTAINED HEREIN BE USED BY OR DISCLOSED TO OTHER EXCEPT AS EXPRESSLY AUTHORIZED BY UNISEN INC, D.B.A. STAR TRAC.

**DOCUMENT STATUS:  
 RELEASE**

**NOTES:**  
 1. ITEMS DENOTED BY A "\*" ARE INCLUDED IN THE HARDWARE KIT.

CLASS OF WORK	UNLESS OTHERWISE SPECIFIED DIMS ARE IN mm. TOLERANCES FOR MEASURE OF LENGTH ARE:							MATERIAL SEE BOM
	0.5 to 3	> 3 to 6	> 6 to 30	> 30 to 120	> 120 to 400	> 400 to 1000	> 1000 to 2000	
FINE	±0.05	±0.05	±0.1	±0.15	±0.2	±0.3	±0.5	
MEDIUM X	±0.1	±0.1	±0.2	±0.3	±0.5	±0.8	±1.2	FINISH N/A
COARSE	±0.2	±0.3	±0.5	±0.8	±1.2	±2	±3	±4
VERY COARSE	---	±0.5	±1	±1.5	±2.5	±4	±6	±8

THIRD ANGLE PROJECTION		
DRAWN	INITIAL FJM	DATE 07-07-10
CHECKED		
APPROVED		
VENDOR:		P/N: N/A

UNISEN, INC. DBA		14410 Myford Road Irvine CA 92606	
		STARTRAC PART NO. <b>740-6848</b>	REV <b>G</b>
TITLE <b>ASSY, PRO, SPINNER, 7070</b>			
U.O.M.	MM	SCALE: 1:10	SHEET 1 OF 1 SHEET SIZE: B