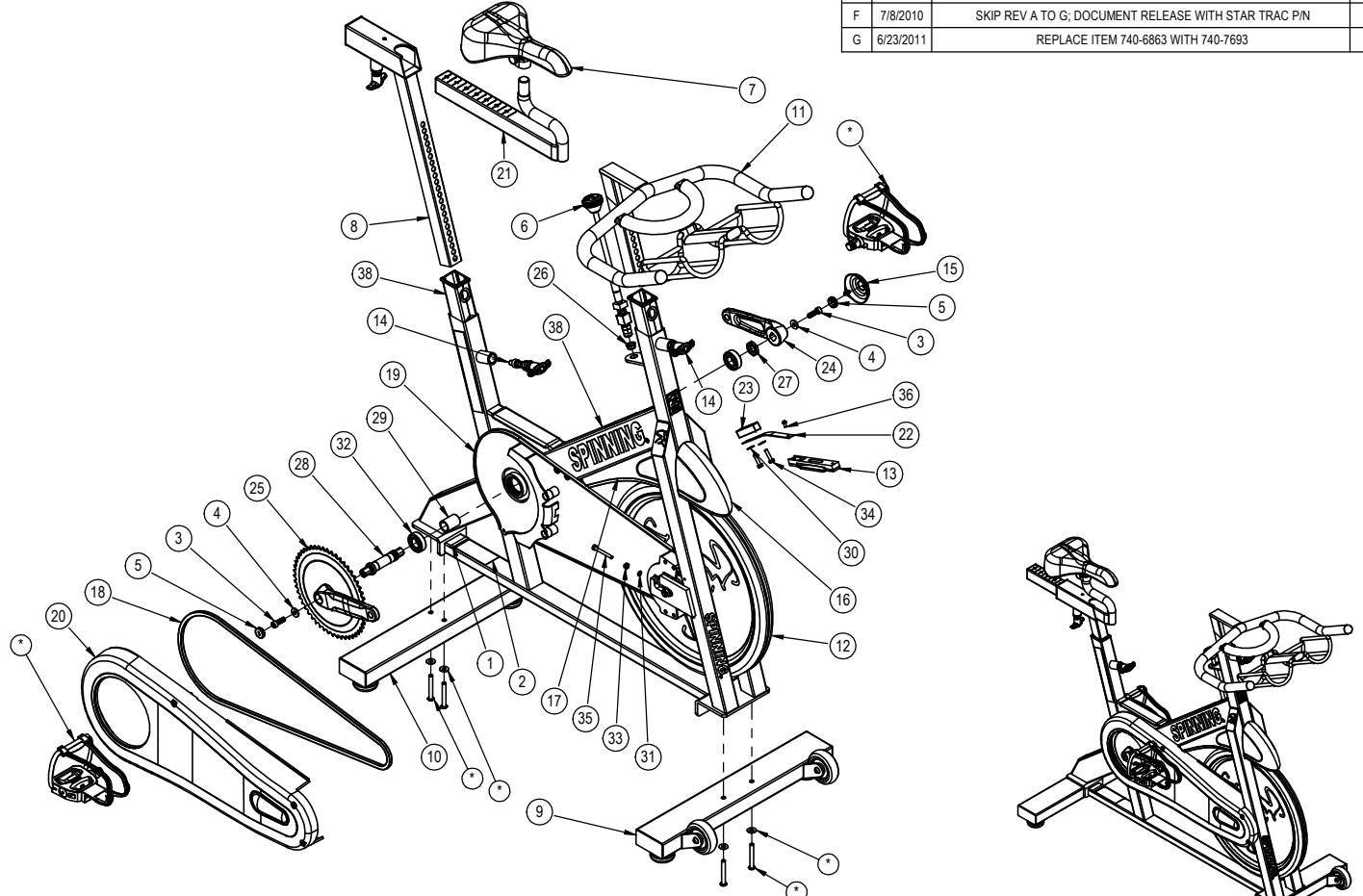


9	8	7	6	5	4	3	2	1	
J	ITEM NO.	PART NUMBER	DESCRIPTION	QTY.					
	1	050-2115	LABEL, COUNTRY OF ORIGIN	1					
	2	050-2125	LABEL, SERIAL NO., OEM UNIV	1					
	3	110-3464	SCREW, M8X1.0X25MM, SHC, HK, BO	2					
	4	120-3325	WASHER, FLAT, ID 8.23MM, OD 19.68MM, 2.75THK	2					
	5	140-3322	CAP, CRANK, W/M22X1.0 SCREW	2					
I	6	727-0054	ASSY., BRAKE KNOB, SPINNER 6800/6900	1					
	7	727-0060	SEAT, VELO, SPINNER PRO	1					
	8	740-6851	ASSY, SEAT POST, ELITE/PRO, 7080/7070	1					
	9	740-6852	ASSY, FOOT, FRONT, ELITE/PRO, 7080/7070	1					
	10	740-6853	ASSY, FOOT, REAR, ELITE/PRO, 7080/7070	1					
H	11	740-6860	HANDLE BAR, WATER BOTTLE CAGE, 7080/7070	1					
	12	740-6870	ASSY, FLYWHEEL, NXT	1					
	13	740-6872	KIT, ASSY, PAD, BRAKE, SPINNER, 7090/8070/60	1					
	14	740-6873	POP PIN, ELITE/PRO, 7080/7070	2					
G	15	740-6878	ASSY, CAP, BB, ELITE/PRO, 7080/7070	1					
	16	740-6879	ASSY, FENDER, FRONT, ELITE/PRO, 7080/7070	1					
	17	740-6880	ASSY, FENDER, REAR, ELITE/PRO, 7080/7070	1					
	18	740-6899	CHAIN, 112LINK, ELITE/PRO, 7080/7070	1					
	19	740-6904	ASSY, CHAIN GUARD, INNER, 7080/7070	1					
F	20	740-6907	ASSY, CHAIN GUARD, OUTER, 7080/7070	1					
	21	740-6917	SLIDER, SEAT, ELITE/PRO, 7080/7070	1					
	22	740-7019	PLATE, BRAKE PAD	1					
	23	740-7022	BLOCK, BRAKE RETAINER, SPINNER	1					
E	24	740-7101	CRANK, LEFT	1					
	25	740-7102	CRANK-RIGHT	1					
	26	740-7123	SLEEVE, TENSION KNOB	1					
	27	740-7159	NUT, AXLE B/B	1					
	28	740-7160	B/B AXLE	1					
D	29	740-7161	SPACER, AXLE, B/B	1					
	30	740-7164	WASHER, PLAIN, M6, SS	2					
	31	740-7167	WASHER, LOCK, SPLIT, M6	2					
	32	740-7170	BEARING, 20 ID, 42 OD, 12THK	2					
	33	740-7174	NUT, M6, HE, SS	2					
	34	740-7175	SCREW, M6X1.0X25, HHM, HE, SS	2					
	35	740-7176	SCREW, M6X1.0X50, HHM, HE, SS	2					
	36	740-7182	SCREW, M5X0.8X10, BHC, HE, SS	1					
	38	740-7686	ASSY, FRAME W/LOGOS	1					
	38	740-7693	SLEEVE, SEAT POST	2					

REVISION HISTORY				
REV	DATE	DESCRIPTION	ECO	BY
F	7/8/2010	SKIP REV A TO G; DOCUMENT RELEASE WITH STAR TRAC P/N	13371	FJM
G	6/23/2011	REPLACE ITEM 740-6863 WITH 740-7693	13460	DMM



NOTICE OF PROPRIETARY INFORMATION
 THIS DOCUMENT SHALL NOT BE REPRODUCED NOR SHALL THE INFORMATION CONTAINED HEREIN BE USED BY OR DISCLOSED TO OTHER EXCEPT AS EXPRESSLY AUTHORIZED BY UNISEN INC, D.B.A. STAR TRAC.

**DOCUMENT STATUS:
 RELEASE**

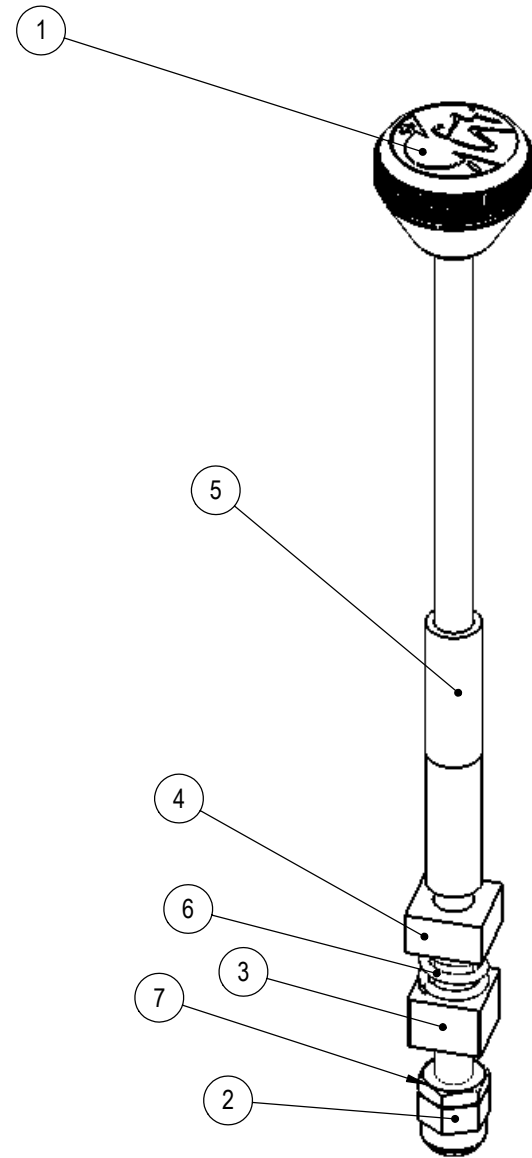
NOTES:
 1. ITEMS DENOTED BY A "*" ARE INCLUDED IN THE HARDWARE KIT.

CLASS OF WORK	UNLESS OTHERWISE SPECIFIED DIMS ARE IN mm. TOLERANCES FOR MEASURE OF LENGTH ARE:							MATERIAL SEE BOM
	0.5 to 3	> 3 to 6	> 6 to 30	> 30 to 120	> 120 to 400	> 400 to 1000	> 1000 to 2000	
FINE	±0.05	±0.05	±0.1	±0.15	±0.2	±0.3	±0.5	
MEDIUM X	±0.1	±0.1	±0.2	±0.3	±0.5	±0.8	±1.2	FINISH N/A
COARSE	±0.2	±0.3	±0.5	±0.8	±1.2	±2	±3	±4
VERY COARSE	-----	±0.5	±1	±1.5	±2.5	±4	±6	±8

THIRD ANGLE PROJECTION		
DRAWN	INITIAL FJM	DATE 07-07-10
CHECKED		
APPROVED		
VENDOR:		P/N: N/A

UNISEN, INC. DBA		14410 Myford Road Irvine CA 92606	
STAR TRAC			
STARTRAC PART NO 740-6848		REV G	
TITLE ASSY, PRO, SPINNER, 7070			
U.O.M. MM		SCALE: 1:10 SHEET 1 OF 1 SHEET SIZE: B	

REVISIONS				
REV.	DESCRIPTION	DATE	ECO	BY
X1	PRELIMINARY RELEASE	08/27/04		RKL
A	PRODUCTION RELEASE.	05-11-05	11255	RKL



ITEM NO.	PART NO.	VendorNo	DESCRIPTION	QTY.
1	727-0081	311-3-1902-10	ROD, W/KNOB, BRAKE, 6800/6900	1
2	110-3320	674-2-0100-00	NUT, ACORN, BRAKE, 6800/6900	1
3	020-6791	301-6-1828-00	BLOCK, LOWER, BRAKE, 6800/6900	1
4	020-6792	301-6-1812-00	BLOCK, UPPER, BRAKE, 6800/6900	1
5	140-3320	301-6-1814-00	SLEEVE, ROD, BRAKE, 6800/6900	2
6	140-3321	311-6-1902-00	SPRING, BRAKE ROD, 6800/6900	1
7	110-3321	654-2-0100-00	NUT, LOCKNUT, ACORN, BRAKE, 6800/6900	1

NOTES:

NOTICE OF PROPRIETARY INFORMATION
 THIS DOCUMENT SHALL NOT BE REPRODUCED NOR
 SHALL THE INFORMATION CONTAINED HEREIN BE
 USED BY OR DISCLOSED TO OTHER EXCEPT AS
 EXPRESSLY AUTHORIZED BY UNISEN

MATERIAL		TOLERANCES UNLESS OTHERWISE SPECIFIED		UNISEN INC. 14410 Myford Road Irvine CA 92606	
REFER TO B.O.M.		X.XXX = ± 0.25 (.010")	ANGLES = +/- 2°	A TITLE ASSY., BRAKE KNOB, SPINNER 6800/6900	
		X.XX = ± 0.76 (.030")	FRACTIONS = ± 1/32		
FINISH		INITIAL	DATE	REV	
NONE		DRAWN RKL	08-27-04	SCALE 1:1	
		CHECKED		SIZE B	
		APPROVED		PART NO 727-0054	
		U.O.M. MM		SHEET 1 OF 1	

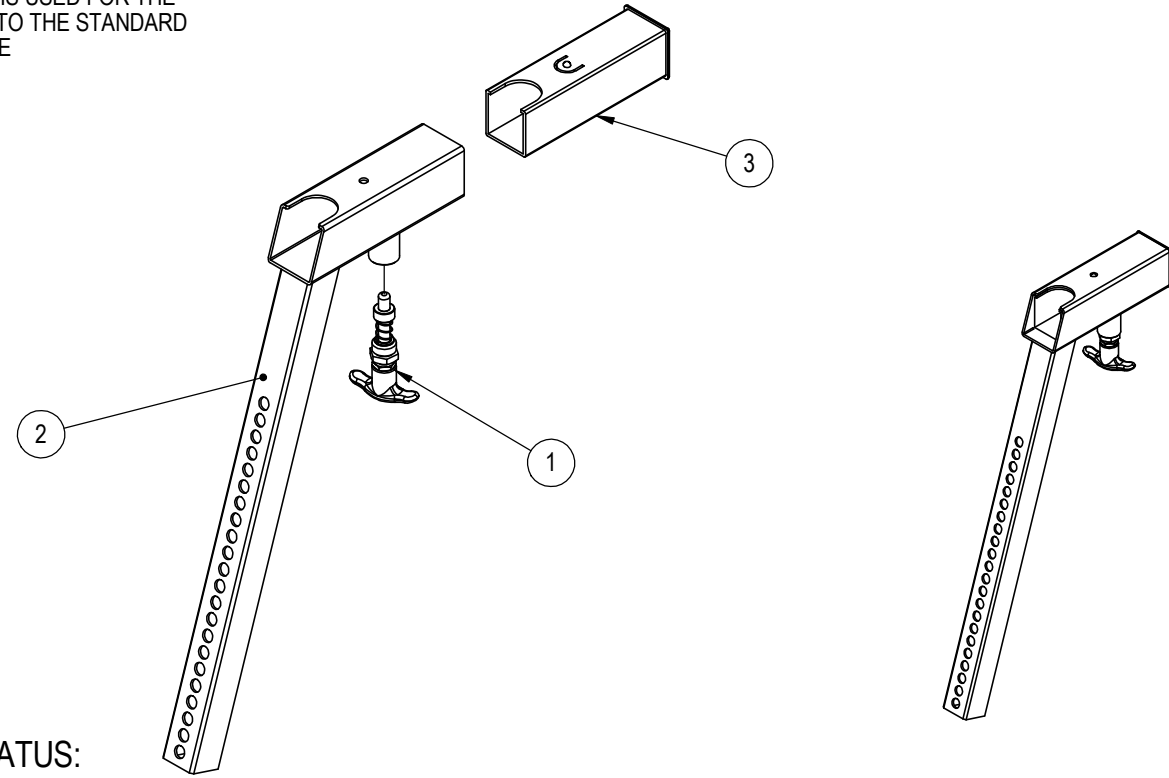
311-4-1902-00

NOTES:

1. FIT IS RETROFITTABLE TO 6800 AND 6900 SERIES
- ⓔ 2. FUNCTION IS COMPARABLE TO 6800 AND 6900 SERIES; DIFFERENCE IS
 - DISTANCE BETWEEN THE HOLE INCREMENTS WENT FROM 11MM TO 15MM FOR MORE ADJUSTABILITY
 - POP-PIN WENT FROM ROUND KNOB WHICH IS USED FOR THE 6800/6900 SERRATED TEETH SEAT SLIDER, TO THE STANDARD KNOB BEING USED THROUGH-OUT THE BIKE

REVISION HISTORY

REV	DATE	DESCRIPTION	ECO	BY
A	04-02-08	RELEASE	11852	NMB
F	04-28-10	SKIP REV. B-E; REVISED NOTE 2; ADDED BOM	13115	AK



DOCUMENT STATUS:
RELEASE

NOTICE OF PROPRIETARY INFORMATION
THIS DOCUMENT SHALL NOT BE REPRODUCED NOR SHALL THE INFORMATION CONTAINED HEREIN BE USED BY OR DISCLOSED TO OTHER EXCEPT AS EXPRESSLY AUTHORIZED BY UNISEN INC, D.B.A. STAR TRAC.

ITEM NO.	PART NUMBER	DESCRIPTION	QTY.
1	740-6873	POP PIN, ELITE/PRO, 7080/7070	1
2	740-7046	SEATPOST, PLATED	1
3	740-7126	SLEEVE-50MM, SEAT POST, PRO	1

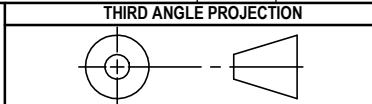
CLASS OF WORK	FINE	MEDIUM	COARSE	VERY COARSE
			X	

UNLESS OTHERWISE SPECIFIED DIMS ARE IN mm. TOLERANCES FOR MEASURE OF LENGTH ARE: ANGLES ±2°	0.5 to 3	±0.05	±0.1	±0.2	----
	> 3 to 6	±0.05	±0.1	±0.3	±0.5
	> 6 to 30	±0.1	±0.2	±0.5	±1
	> 30 to 120	±0.15	±0.3	±0.8	±1.5
	> 120 to 400	±0.2	±0.5	±1.2	±2.5
	> 400 to 1000	±0.3	±0.8	±2	±4
	> 1000 to 2000	±0.5	±1.2	±3	±6
	> 2000	----	±2	±4	±8

MATERIAL
SEE BOM

FINISH
N/A

VENDOR: **N/A** P/N:



	INITIAL	DATE
DRAWN	NMB	03/20/08
CHECKED		
APPROVED		

UNISEN, INC. DBA
STAR TRAC
14410 Myford Road
Irvine CA 92606

STARTRAC PART NO
740-6851 REV **F**

TITLE
ASSY, SEAT POST, ELITE/PRO, 7080/7070

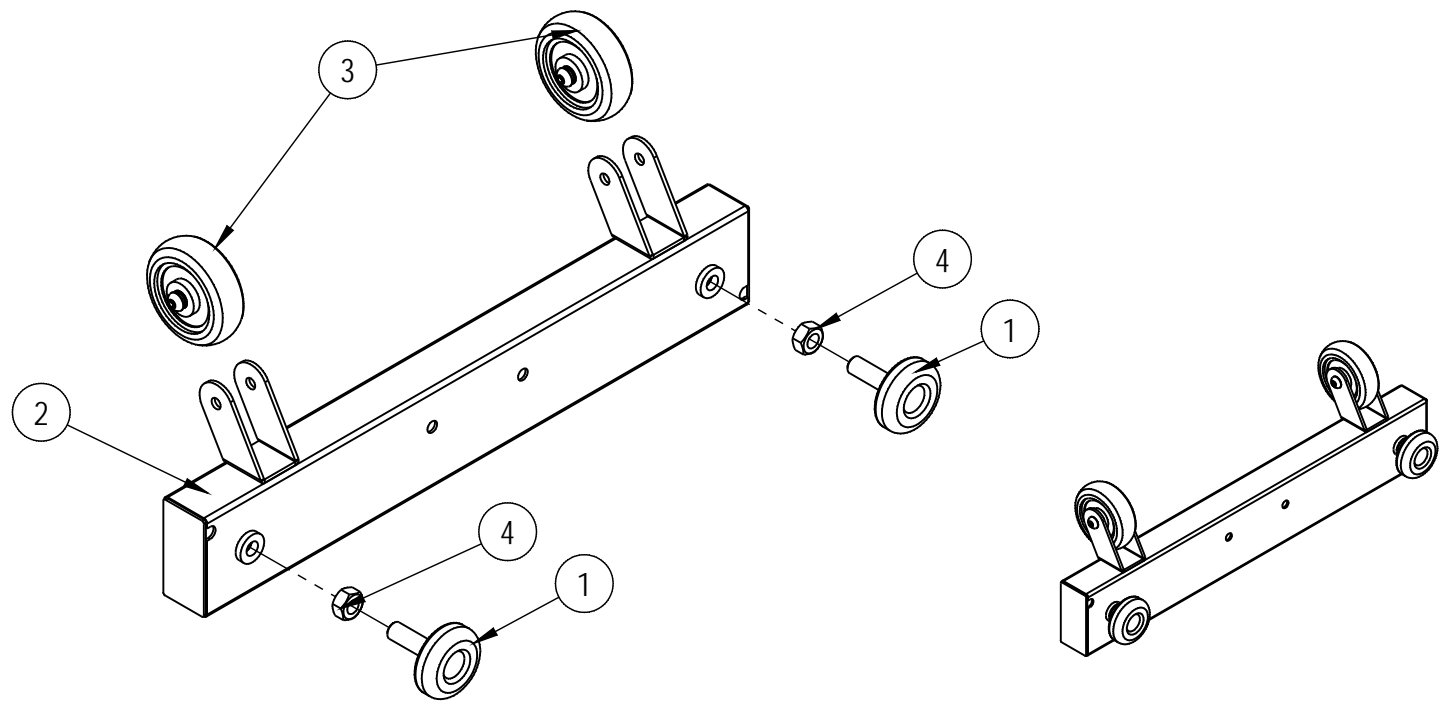
SCALE: 1:6 SHEET 1 OF 1 SHEET SIZE: A

REVISION HISTORY

REV	DATE	DESCRIPTION	ECO	BY
A	04-02-08	RELEASE FOR PRODUCTION	11852	NMB
F		SKIP REV. B-E; ADD BOM; REMOVED NOTE #1	12279	AK

NOTES:

1. FIT AND FUNCTION DID NOT CHANGE FROM 6800 AND 6900 SERIES
2. CHANGE IN FORM FROM 6800/6900 SERIES TO 7080/7070 SERIES; POWDERCOAT COLOR WENT FROM GREY TO STAR TRAC SILVER



DOCUMENT STATUS:
ECO

NOTICE OF PROPRIETARY INFORMATION
THIS DOCUMENT SHALL NOT BE REPRODUCED NOR SHALL THE INFORMATION CONTAINED HEREIN BE USED BY OR DISCLOSED TO OTHER EXCEPT AS EXPRESSLY AUTHORIZED BY UNISEN INC, D.B.A. STAR TRAC.

ITEM NO.	PART NUMBER	DESCRIPTION	QTY.
1	740-7023	ASSY, FOOT, W/ OVER MOLD	2
2	740-7050	ASSY, FRONT LEG, COATING	1
3	740-7062	FRONT STABILIZER WHEELS	2
4	740-7173	NUT, 1/2-13, HEX, CS, BO	2

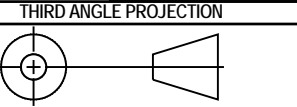
CLASS OF WORK	FINE	MEDIUM	COARSE	VERY COARSE
			X	

UNLESS OTHERWISE SPECIFIED DIMS ARE IN mm. TOLERANCES FOR MEASURE OF LENGTH ARE: ANGLES ±2°	0.5 to 3	±0.05	±0.1	±0.2	----
	> 3 to 6	±0.05	±0.1	±0.3	±0.5
	> 6 to 30	±0.1	±0.2	±0.5	±1
	> 30 to 120	±0.15	±0.3	±0.8	±1.5
	> 120 to 400	±0.2	±0.5	±1.2	±2.5
	> 400 to 1000	±0.3	±0.8	±2	±4
	> 1000 to 2000	±0.5	±1.2	±3	±6
	> 2000	-----	±2	±4	±8

MATERIAL SEE BOM

FINISH N/A

VENDOR: N/A

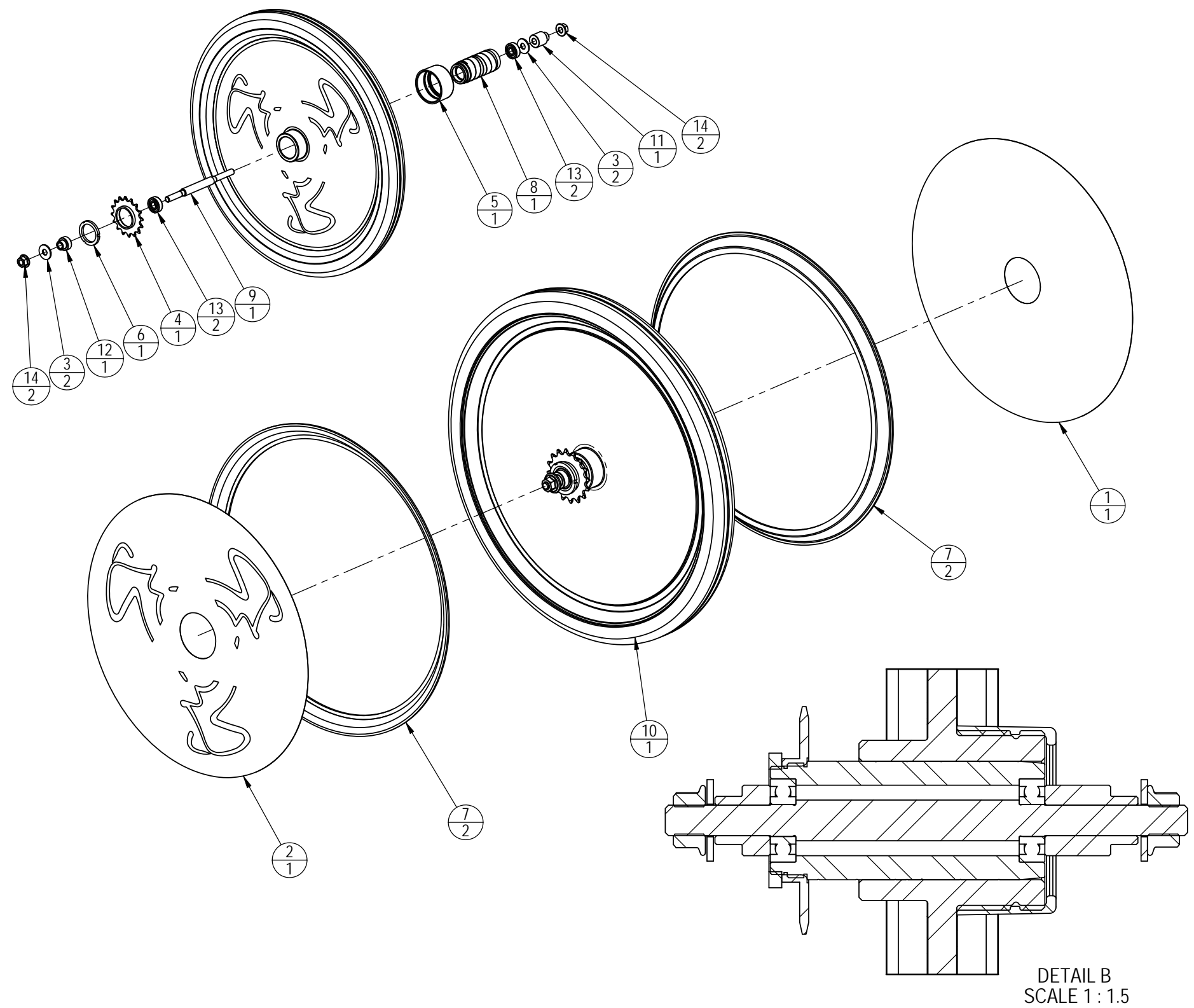


UNISEN, INC. DBA
STAR TRAC
14410 Myford Road
Irvine CA 92606

DRAWN	INITIAL NMB	DATE 03/20/08	STARTRAC PART NO	740-6852	REV	E03
CHECKED			TITLE	FOOT, FRONT, ELITE/PRO, 7080/7070		
APPROVED			SCALE: 1:1	SHEET 1 OF 1 SHEET SIZE: A		

This document may be out-of-date because it has file references that may have been updated. (more...)

REVISION HISTORY				
REV	DATE	DESCRIPTION	ECO	BY
B		ADD BOM; ADD NOTE 3, REMOVED NOTE 1	12275	AK
F	7/9/2010	SKIPPED REV D TO E; RELEASE WITH STAR TRAC P/N.	13371	FJM



ITEM NO.	PART NUMBER	DESCRIPTION	Q'TY.
1	050-2127-01	DECAL, FLYWHEEL SPINNING, LEFT	1
2	050-2127-02	DECAL, FLYWHEEL SPINNING, RIGHT	1
3	120-3285	WASHER, ID 10.2MM, OD 25.4MM, THICK 2MM, SS	2
4	740-7013	SPROCKET WHEEL, 16T	1
5	740-7015	CAP, RUBBER, FLYWHEEL	1
6	740-7114	RETAINING NUT	1
7	740-7117	RIM, PLASTIC, FLYWHEEL	2
8	740-7118	HOUSING, BEARING, FLYWHEEL	1
9	740-7119	AXLE, FLYWHEEL, NXT	1
10	740-7120	FLYWHEEL, NXT/PRO	1
11	740-7157	SPACER, AXLE, LEFT	1
12	740-7158	SPACER, AXLE, RIGHT, SPINNER	1
13	740-7168	BEARING, 10ID, 26OD, 8THK	2
14	740-7191	NUT, 3/8-26, FLANGE, HEX, CS, BO	2

DOCUMENT STATUS:

NOTICE OF PROPRIETARY INFORMATION
 THIS DOCUMENT SHALL NOT BE REPRODUCED NOR SHALL THE INFORMATION CONTAINED HEREIN BE USED BY OR DISCLOSED TO OTHER EXCEPT AS EXPRESSLY AUTHORIZED BY UNISEN INC. D.B.A. STAR TRAC.

CLASS OF WORK	UNLESS OTHERWISE SPECIFIED DIMS ARE IN mm. TOLERANCES FOR MEASURE OF LENGTH ARE:							ANGLES = ±2°
	0.5 to 3	> 3 to 6	> 6 to 30	> 30 to 120	> 120 to 400	> 400 to 1000	> 1000 to 2000	
FINE	±0.05	±0.05	±0.1	±0.15	±0.2	±0.3	±0.5	----
MEDIUM X	±0.1	±0.1	±0.2	±0.3	±0.5	±0.8	±1.2	±2
COARSE	±0.2	±0.3	±0.5	±0.8	±1.2	±2	±3	±4
VERY COARSE	----	±0.5	±1	±1.5	±2.5	±4	±6	±8

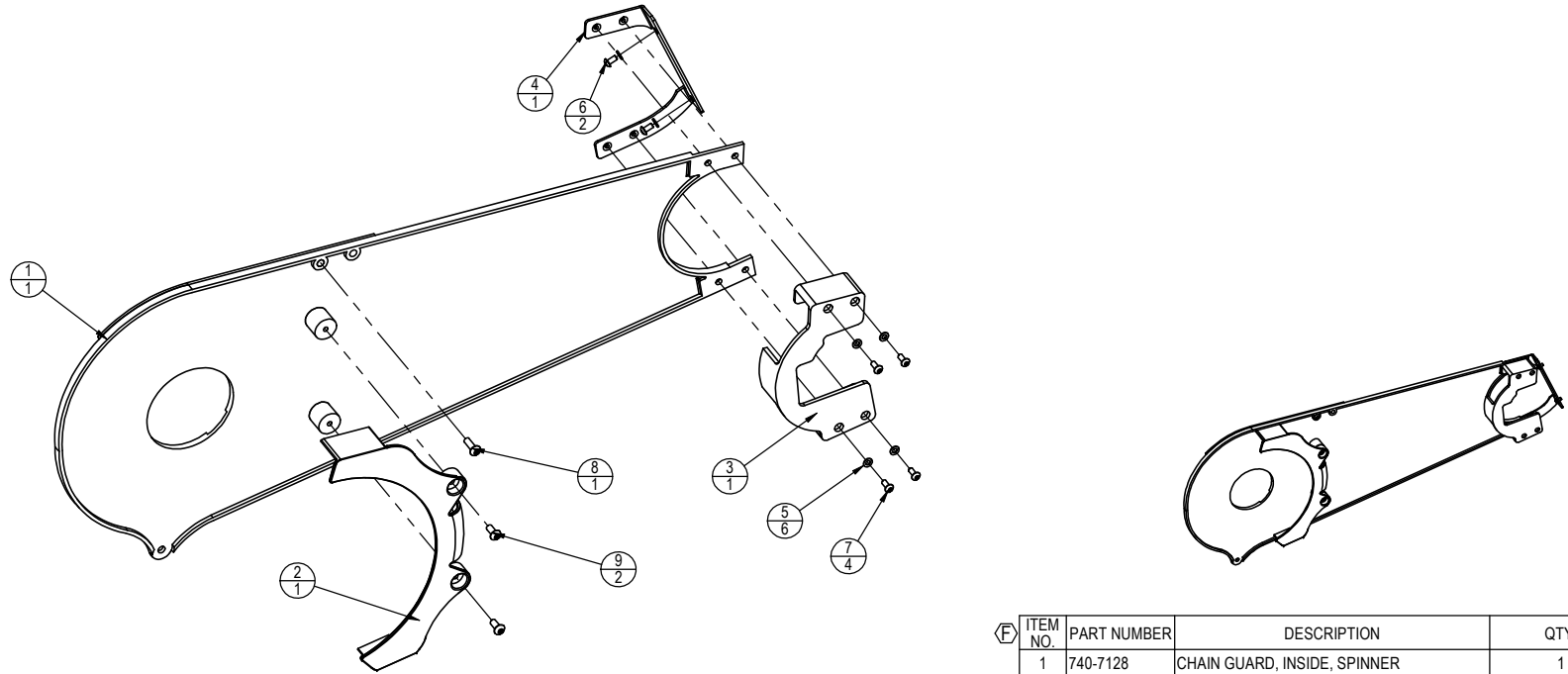
MATERIAL SEE BOM	THIRD ANGLE PROJECTION
FINISH N/A	UNISEN, INC. DBA STAR TRAC 14410 Myford Road Irvine CA 92606
VENDOR: N/A	P/N: N/A
SCALE: 1:6	SHEET 1 OF 1
SHEET SIZE: B	

DRAWN	INITIAL JC	DATE 10-20-2008	STARTRAC PART NO. 740-6870	REV F
CHECKED			TITLE ASSY, FLYWHEEL, NXT	
APPROVED				

NOTES:

1. INNER CHAIN GUARD ASSEMBLY IS RETROFITTABLE TO 6800 AND 6900 SERIES

REVISION HISTORY				
REV	DATE	DESCRIPTION	ECO	BY
A	04-02-08	RELEASE FOR PRODUCTION	11852	NMB
F	06-10-11	SKIP REV. B-E; ADD BOM	13538	GM



ITEM NO.	PART NUMBER	DESCRIPTION	QTY.
1	740-7128	CHAIN GUARD, INSIDE, SPINNER	1
2	740-7130	RING, FINGERGUARD CHAIN	1
3	740-7131	COG, FINGERGUARD	1
4	740-7132	BRACKET, CHAIN GUARD, INSIDE, PRO	1
5	740-7163	WASHER, FLAT, M4, SS	6
6	740-7180	SCREW, M4X0.7X8, BHC, HE, SS	2
7	740-7181	SCREW, M4X0.7X10, BHC, HE, SS	4
8	740-7183	SCREW, M5X0.8X16, BHC, HE, SS	1
9	740-7186	SCREW, M5X0.8X12, BHC, HE, SS	2

**DOCUMENT STATUS:
RELEASE**

NOTICE OF PROPRIETARY INFORMATION
THIS DOCUMENT SHALL NOT BE REPRODUCED NOR SHALL THE INFORMATION CONTAINED HEREIN BE USED BY OR DISCLOSED TO OTHER EXCEPT AS EXPRESSLY AUTHORIZED BY UNISEN INC. D.B.A. STAR TRAC

CLASS OF WORK	UNLESS OTHERWISE SPECIFIED DIMS ARE IN mm. TOLERANCES FOR MEASURE OF LENGTH ARE:							MATERIAL SEE BOM
	0.5 to 3	> 3 to 6	> 6 to 30	> 30 to 120	> 120 to 400	> 400 to 1000	> 1000 to 2000	
FINE	±0.05	±0.05	±0.1	±0.15	±0.2	±0.3	±0.5	----
MEDIUM X	±0.1	±0.1	±0.2	±0.3	±0.5	±0.8	±1.2	±2
COARSE	±0.2	±0.3	±0.5	±0.8	±1.2	±2	±3	±4
VERY COARSE	-----	±0.5	±1	±1.5	±2.5	±4	±6	±8

FINISH N/A	VENDOR: N/A	P/N: N/A
---------------	--------------------	-----------------

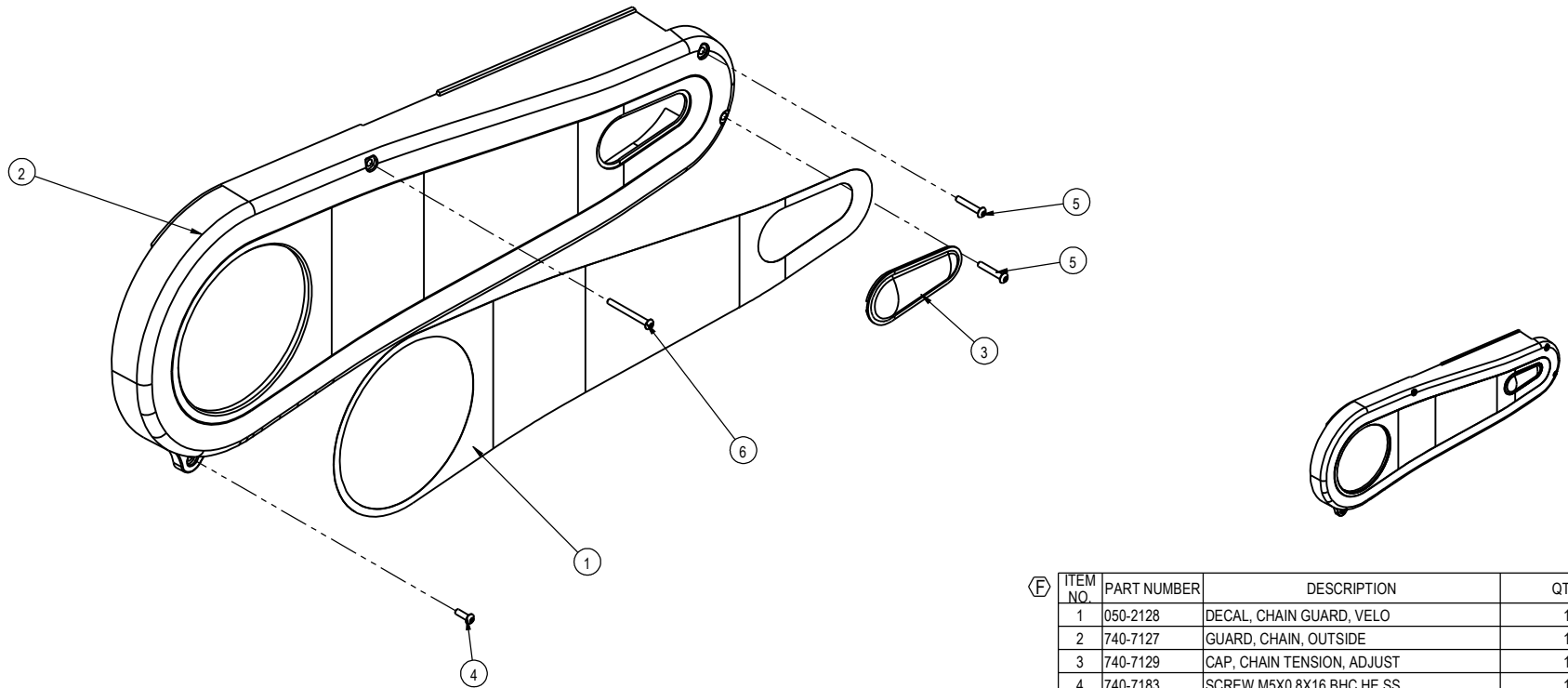
THIRD ANGLE PROJECTION		
	INITIAL	DATE
DRAWN	NMB	03/19/08
CHECKED		
APPROVED		
U.O.M.	MM	

UNISEN, INC. DBA		14410 Myford Road Irvine CA 92606	
		STARTRAC PART NO	REV
		740-6904	F
TITLE ASSY, CHAIN GUARD, INNER, 7080/7070			
SCALE: 1:4	SHEET 1 OF 1	SHEET SIZE: B	

NOTES:

1. OUTER CHAIN GUARD ASSEMBLY IS RETROFITABLE TO 6800 AND 6900 SERIES

REVISION HISTORY				
REV	DATE	DESCRIPTION	ECO	BY
A	04-02-08	RELEASE	11852	NMB
F		SKIP REV. B-E; ADD BOM	12279	AK



ITEM NO.	PART NUMBER	DESCRIPTION	QTY.
1	050-2128	DECAL, CHAIN GUARD, VELO	1
2	740-7127	GUARD, CHAIN, OUTSIDE	1
3	740-7129	CAP, CHAIN TENSION, ADJUST	1
4	740-7183	SCREW, M5X0.8X30, BHC, HE, SS	1
5	740-7184	SCREW, M5X0.8X30, BHC, HE, SS	2
6	740-7185	SCREW, M5X0.8X50, BHC, HE, SS	1

DOCUMENT STATUS:
ECO

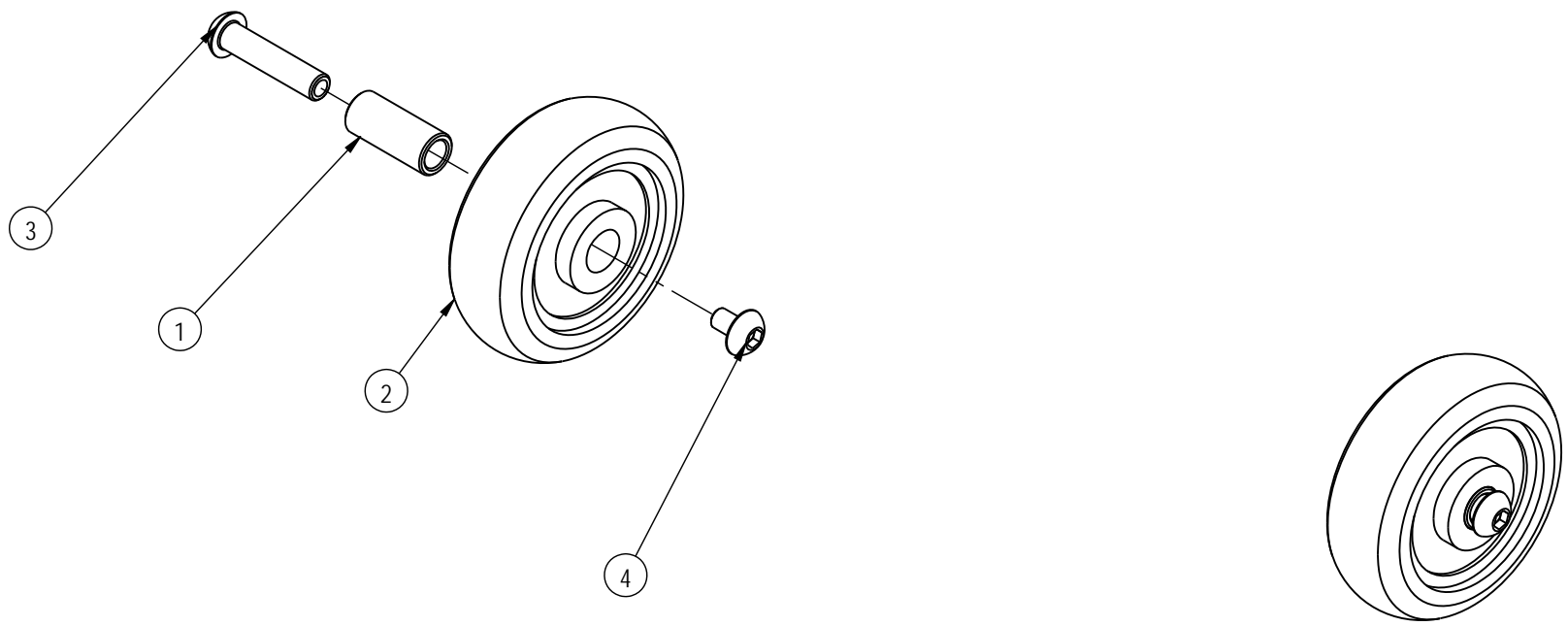
NOTICE OF PROPRIETARY INFORMATION
THIS DOCUMENT SHALL NOT BE REPRODUCED NOR SHALL THE INFORMATION CONTAINED HEREIN BE USED BY OR DISCLOSED TO OTHER EXCEPT AS EXPRESSLY AUTHORIZED BY UNISEN INC. DBA STAR TRAC.

CLASS OF WORK	UNLESS OTHERWISE SPECIFIED DIMS ARE IN mm. TOLERANCES FOR MEASURE OF LENGTH ARE:							ANGLES = ±2°		
	0.5 to 3	>3 to 6	>6 to 30	>30 to 120	>120 to 400	>400 to 1000	>1000 to 2000	>2000		
FINE	±0.05	±0.05	±0.1	±0.15	±0.2	±0.3	±0.5	----		
MEDIUM X	±0.1	±0.1	±0.2	±0.3	±0.5	±0.8	±1.2	±2		
COARSE	±0.2	±0.3	±0.5	±0.8	±1.2	±2	±3	±4		
VERY COARSE	----	±0.5	±1	±1.5	±2.5	±4	±6	±8		

MATERIAL SEE BOM	FINISH N/A	VENDOR:	P/N: N/A
----------------------------	----------------------	----------------	-----------------

THIRD ANGLE PROJECTION		UNISEN, INC. DBA STAR TRAC		14410 Myford Road Irvine CA 92606	
DRAWN	INITIAL NMB	DATE 03/19/08	STARTRAC PART NO 740-6907	REV E03	
CHECKED			TITLE ASSY, CHAIN GUARD, OUTER, 7080/7070		
APPROVED			SCALE: 1:4	SHEET 1 OF 1	SHEET SIZE: B

REVISION HISTORY				
REV	DATE	DESCRIPTION	ECO	BY
F		RELEASE FOR PRODUCTION	12279	AK



CLASS OF WORK	FINE	MEDIUM	COARSE	VERY COARSE
			X	

UNLESS OTHERWISE SPECIFIED DIMS ARE IN mm. TOLERANCES FOR MEASURE OF LENGTH ARE: ANGLES ±2°	0.5 to 3	±0.05	±0.1	±0.2	----
	> 3 to 6	±0.05	±0.1	±0.3	±0.5
	> 6 to 30	±0.1	±0.2	±0.5	±1
	> 30 to 120	±0.15	±0.3	±0.8	±1.5
	> 120 to 400	±0.2	±0.5	±1.2	±2.5
	> 400 to 1000	±0.3	±0.8	±2	±4
	> 1000 to 2000	±0.5	±1.2	±3	±6
	> 2000	-----	±2	±4	±8

DOCUMENT STATUS:
ECO

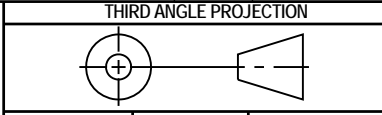
NOTICE OF PROPRIETARY INFORMATION
THIS DOCUMENT SHALL NOT BE REPRODUCED NOR SHALL THE INFORMATION CONTAINED HEREIN BE USED BY OR DISCLOSED TO OTHER EXCEPT AS EXPRESSLY AUTHORIZED BY UNISEN INC, D.B.A. STAR TRAC.

MATERIAL
SEE BOM

FINISH
N/A

VENDOR: **N/A**

ITEM NO.	PART NUMBER	DESCRIPTION	QTY.
1	740-7011	AXLE SLEEVE, WHEEL, NXT/E-SPINNER	1
2	740-7026	WHEEL, 3" X 1" X 1/2" BORE	1
3	740-7097	BOLT, WHEEL, NXT	1
4	740-7187	SCREW, M6X1.0X10, BHC, HE, SS	1

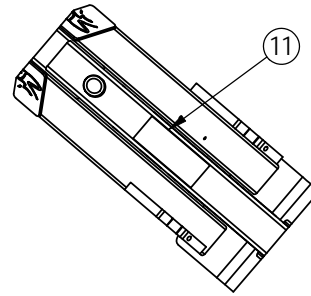
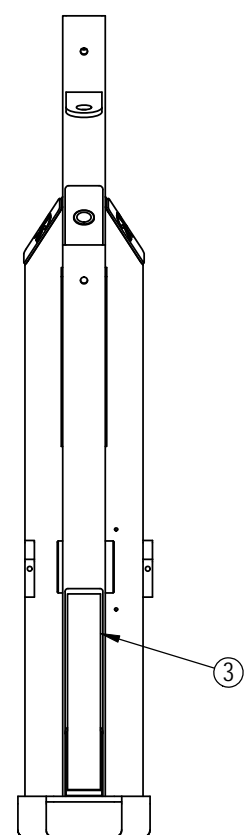
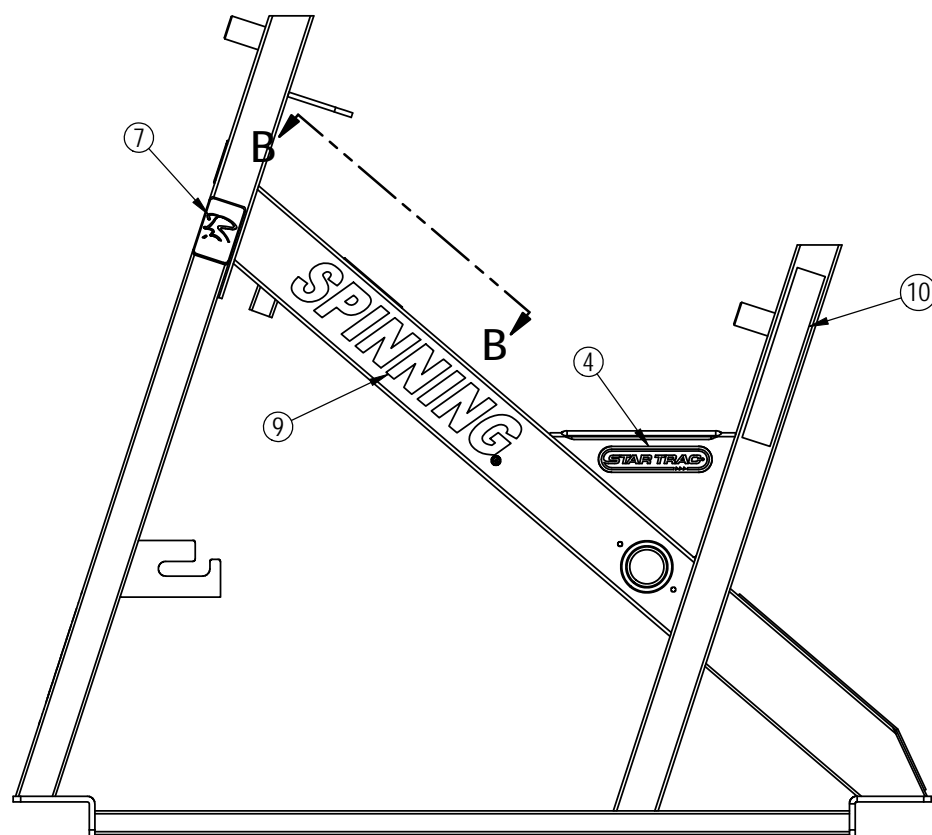
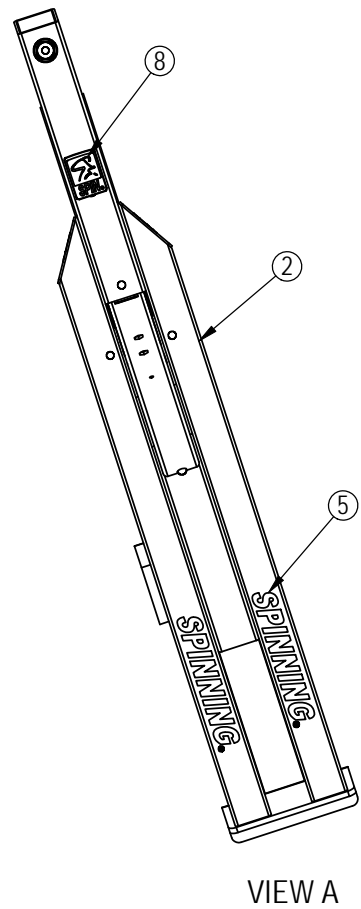
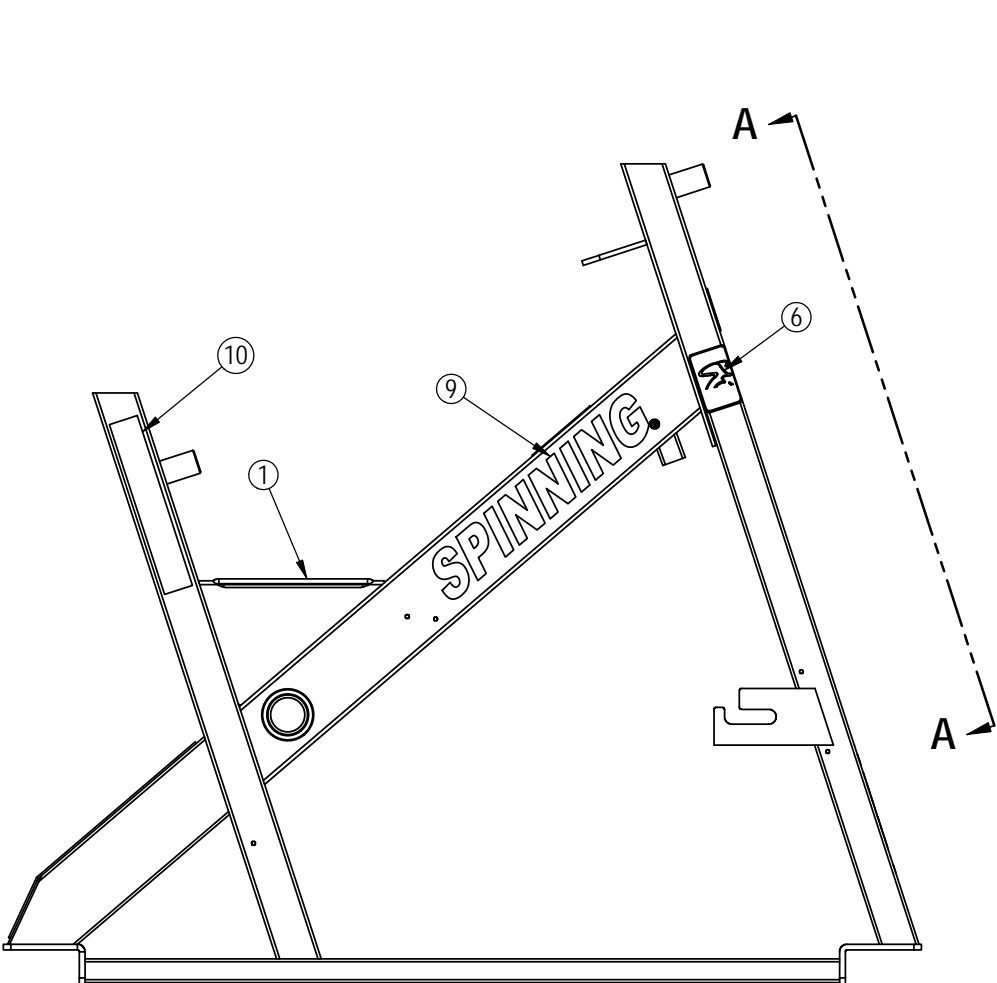


UNISEN, INC. DBA
STAR TRAC
14410 Myford Road
Irvine CA 92606

DRAWN	INITIAL	DATE	STARTRAC PART NO	REV
CHECKED	EX	10-13-08	740-7062	E03
TITLE	STABILIZER WHEELS			
SCALE: 1:1	SHEET 1 OF 1 SHEET SIZE: A			

This document may be out-of-date because it has file references that may have been updated. (more...)

REVISION HISTORY				
REV	DATE	DESCRIPTION	ECO	BY
A	7/9/2010	DOCUMENT RELEASE	13371	FJM



SECTION B-B

NOTICE OF PROPRIETARY INFORMATION
 THIS DOCUMENT SHALL NOT BE REPRODUCED NOR SHALL THE INFORMATION CONTAINED HEREIN BE USED BY OR DISCLOSED TO OTHER EXCEPT AS EXPRESSLY AUTHORIZED BY UNISEN INC. D.B.A. STAR TRAC.

DOCUMENT STATUS:

ITEM NO.	PART NUMBER	DESCRIPTION	QTY.
1	727-0086	ASSY., COVER, STEP THROUGH, 6800/6900	1
2	740-6864	FRAME, ELITE/PRO, SPINNER, 7080/7070	1
3	740-6909	PAD, STRETCH, RUBBER, 7080/7070	1
4	740-7193	LABEL, LOGO, STAR TRAC, SPINNER	1
5	740-7409	DECAL, SPINNING, FORKS	2
6	740-7410	DECAL, SPIN MAN, LEFT, 33MM X 32MM	1
7	740-7411	DECAL, SPIN MAN, RIGHT, 33MM X 32MM	1
8	740-7412	LOGO, SPINNER, HEAD BADGE	1
9	740-7413	LOGO, SPINNING, MAIN TUBE	2
10	740-7414	LOGO, SPINNING PRO, SEAT TUBE	2
11	740-7419	STICKER, WARNING	1

NOTES:

CLASS OF WORK	UNLESS OTHERWISE SPECIFIED DIMS ARE IN mm. TOLERANCES FOR MEASURE OF LENGTH ARE:							ANGLES = ±2°
	0.5 to 3	> 3 to 6	> 6 to 30	> 30 to 120	> 120 to 400	> 400 to 1000	> 1000 to 2000	
FINE	±0.05	±0.05	±0.1	±0.15	±0.2	±0.3	±0.5	----
MEDIUM	±0.1	±0.1	±0.2	±0.3	±0.5	±0.8	±1.2	±2
COARSE	±0.2	±0.3	±0.5	±0.8	±1.2	±2	±3	±4
VERY COARSE	----	±0.5	±1	±1.5	±2.5	±4	±6	±8

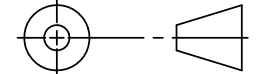
MATERIAL
SEE BOM

FINISH
N/A

VENDOR:

P/N:

THIRD ANGLE PROJECTION



DRAWN	INITIAL	DATE
CHECKED		
APPROVED		

UNISEN, INC. DBA
STAR TRAC
 14410 Myford Road
 Irvine CA 92606

STARTRAC PART NO	REV
740-7686	A
TITLE	
ASSY, FRAME W/LOGOS	
SCALE: 1:8	SHEET 1 OF 1
SHEET SIZE: B	