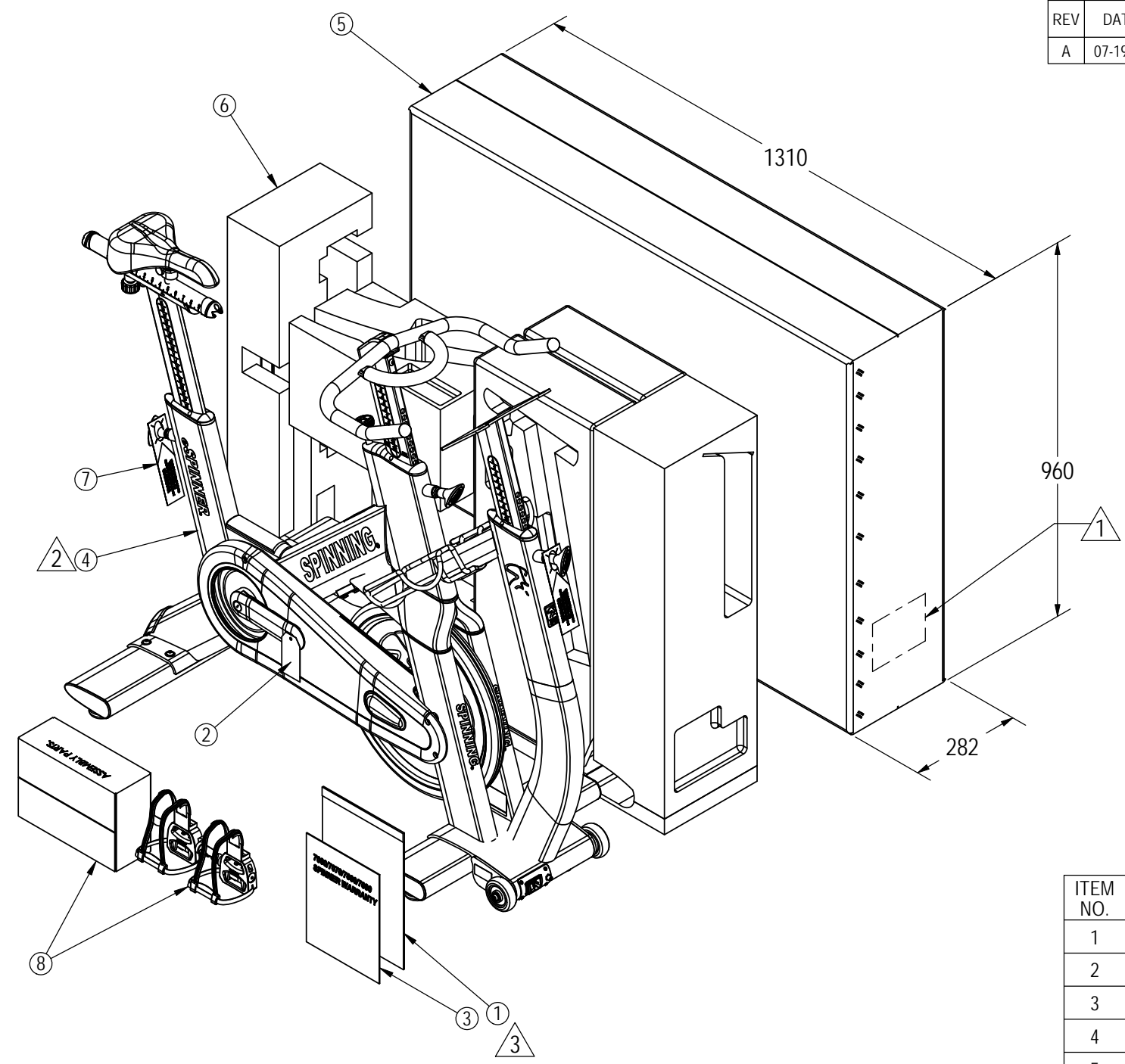


REVISION HISTORY				
REV	DATE	DESCRIPTION	ECO	BY
A	07-19-10	RELEASE DOCUMENT	13372	FJM



ITEM NO.	PART NUMBER	DESCRIPTION	QTY.
1	050-2080	BAG, PLASTIC, W/WARNING PRINT	1
2	050-2140	PEDAL SAFETY TAG	1
3	620-7831	CARD,REGIST.,WARRANTY, SPINNER, 7060/7070/7080/7090	1
4	740-7455	E-SPINNER 7140, BASE W/OUT DISPL	1
5	740-7461	ASSY, CARTON, E-SPINNER	1
6	740-7471	E-SPINNER PACKING STYROFOAM	1
7	740-7475	DECAL, WARNING	2
8	740-7783	KIT, ASSEMBLY PARTS, E-SPINNER	1

- NOTES:
- 1 LABEL INFORMATION (4 LABELS, ONE ON EACH SIDE):
a) MODEL: E-SPINNER.
b) SKU: 9-7140-MINTPO.
d) COUNTRY OF ORIGIN TO BE PRINTED ON A PEEL LABEL.
 - 2 SPINNER TO BE BAGGED ON A PLASTIC BAG TO PREVENT CONTACT WITH FOAM INSERTS.
 - 3 DOCUMENTS TO BE PLACED IN PLASTIC BAG 050-2080.
 - 4. SPINNER TO BE PRE-PACKED WITH DESICCANT TO PREVENT HUMIDITY.

NOTICE OF PROPRIETARY INFORMATION
THIS DOCUMENT SHALL NOT BE REPRODUCED NOR SHALL THE INFORMATION CONTAINED HEREIN BE USED BY OR DISCLOSED TO OTHER EXCEPT AS EXPRESSLY AUTHORIZED BY UNISEN INC, D.B.A. STAR TRAC.

DOCUMENT STATUS:

CLASS OF WORK	UNLESS OTHERWISE SPECIFIED DIMS ARE IN mm. TOLERANCES FOR MEASURE OF LENGTH ARE:							ANGLES = ±2°
	0.5 to 3	> 3 to 6	> 6 to 30	> 30 to 120	> 120 to 400	> 400 to 1000	> 1000 to 2000	
FINE	±0.05	±0.05	±0.1	±0.15	±0.2	±0.3	±0.5	----
MEDIUM	±0.1	±0.1	±0.2	±0.3	±0.5	±0.8	±1.2	±2
COARSE	±0.2	±0.3	±0.5	±0.8	±1.2	±2	±3	±4
VERY COARSE	----	±0.5	±1	±1.5	±2.5	±4	±6	±8

MATERIAL
SEE BOM

FINISH
N/A

VENDOR: _____ P/N: _____

THIRD ANGLE PROJECTION		
	INITIAL	DATE
DRAWN	FJM	07-19-10
CHECKED		
APPROVED		

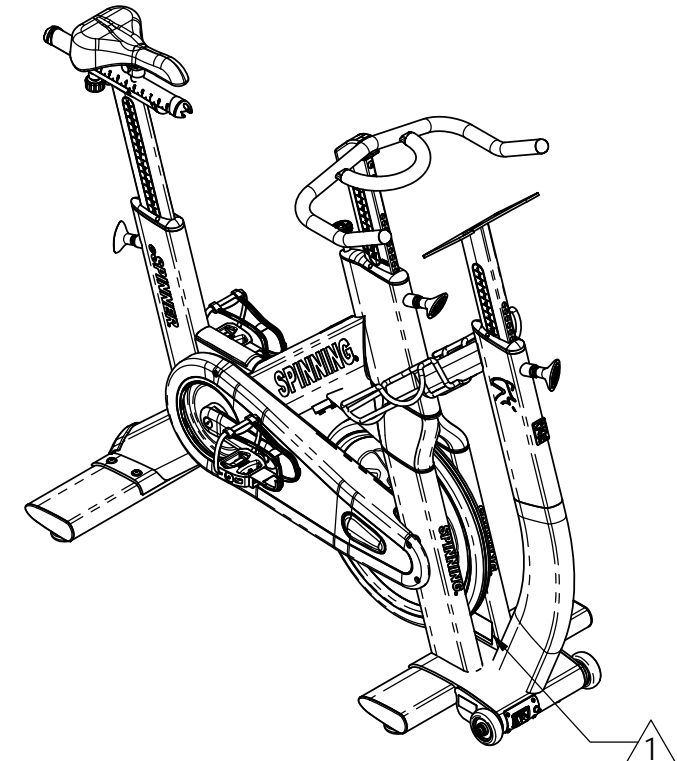
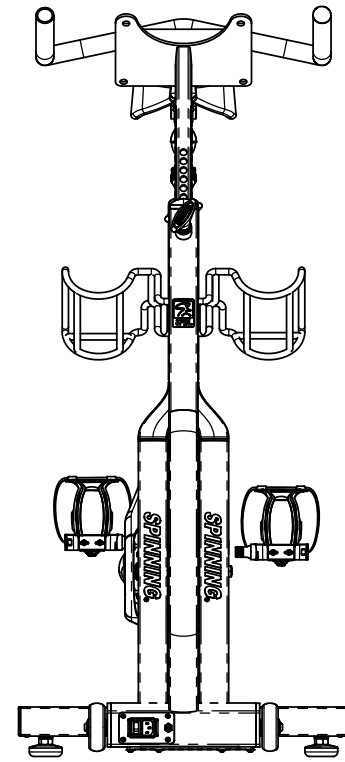
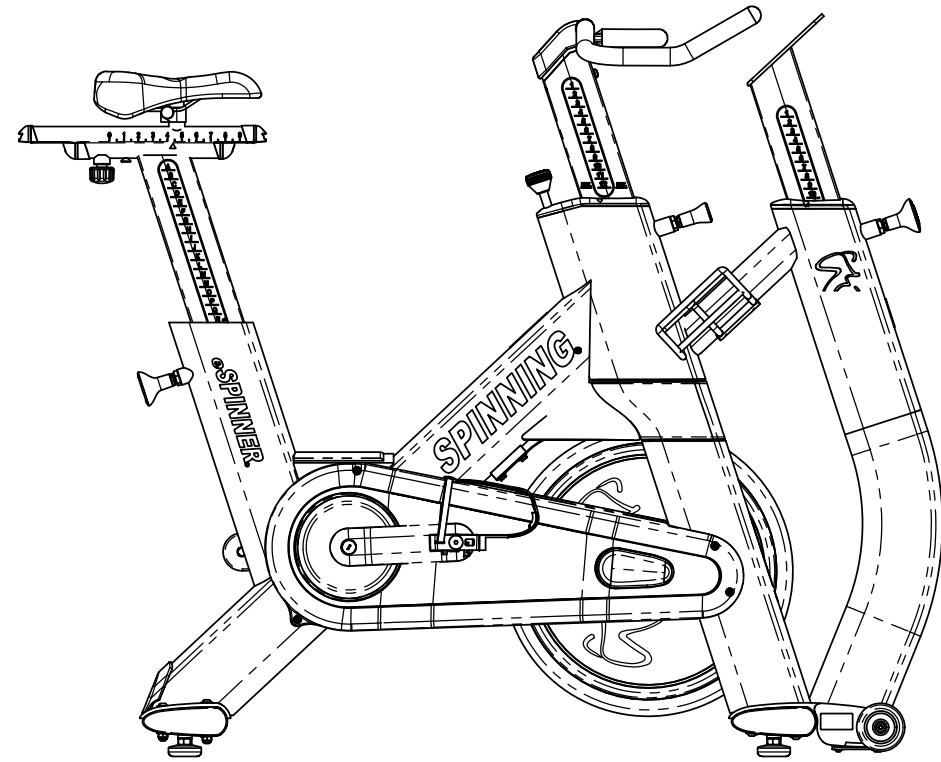
UNISEN, INC. DBA
 14410 Myford Road
Irvine CA 92606

STARTRAC PART NO: **9-7140-MINTPO** REV: **A**

TITLE: **E-SPINNER 7140, M, INT, BASE**

SCALE: 1:12 | SHEET 1 OF 1 | SHEET SIZE: B

REVISION HISTORY				
REV	DATE	DESCRIPTION	ECO	BY
A	4-15-2009	RELEASE FOR PRODUCTION	-	JC
F	7/16/2010	SKIP REV B-E; ADDED BOM	13372	FJM



NOTICE OF PROPRIETARY INFORMATION
 THIS DOCUMENT SHALL NOT BE REPRODUCED NOR SHALL THE INFORMATION CONTAINED HEREIN BE USED BY OR DISCLOSED TO OTHER EXCEPT AS EXPRESSLY AUTHORIZED BY UNISEN INC. D.B.A. STAR TRAC.

DOCUMENT STATUS:

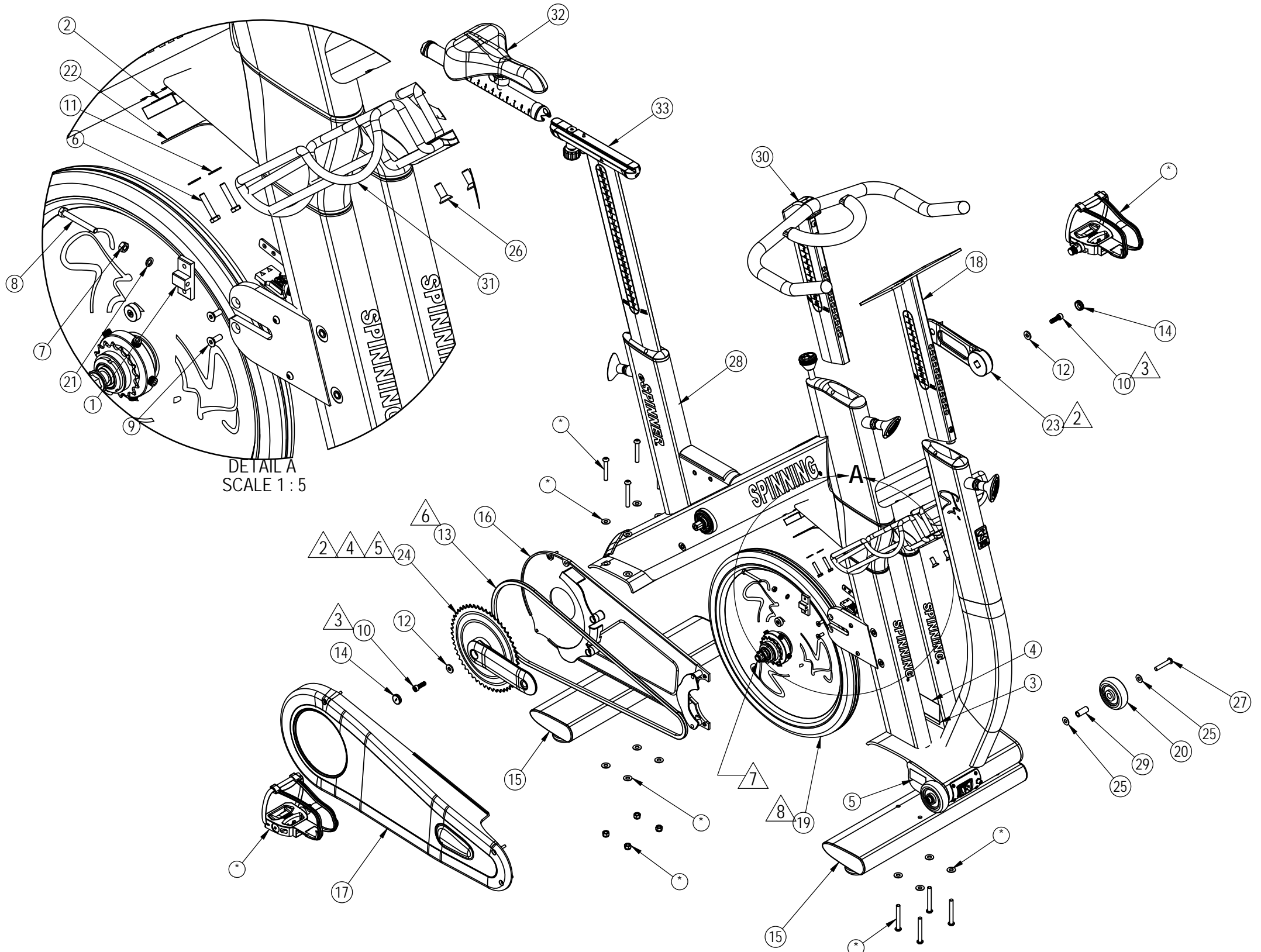
- NOTES:
 1. Label to contain the following information:
 1. SKU: 9-7140-MINTPO
 2. S/N: PER SOP 622-200-110
 3. MFG DATE: MM-YYYY

CLASS OF WORK	UNLESS OTHERWISE SPECIFIED DIMS ARE IN mm. TOLERANCES FOR MEASURE OF LENGTH ARE:							ANGLES = ±2°		
	0.5 to 3	> 3 to 6	> 6 to 30	> 30 to 120	> 120 to 400	> 400 to 1000	> 1000 to 2000	> 2000		
FINE	±0.05	±0.05	±0.1	±0.15	±0.2	±0.3	±0.5	----		
MEDIUM X	±0.1	±0.1	±0.2	±0.3	±0.5	±0.8	±1.2	±2		
COARSE	±0.2	±0.3	±0.5	±0.8	±1.2	±2	±3	±4		
VERY COARSE	----	±0.5	±1	±1.5	±2.5	±4	±6	±8		

MATERIAL SEE BOM	THIRD ANGLE PROJECTION 	
FINISH N/A	INITIAL FJM	DATE 07-09-10
VENDOR: N/A	P/N: N/A	
	U.O.M. MM	

UNISEN, INC. DBA 14410 Myford Road Irvine CA 92606		STAR TRAC	
STARTRAC PART NO 740-7455	REV F	TITLE E-SPINNER 7140, BASE W/OUT DISPL	
SCALE: 1:12	SHEET 1 OF 2	SHEET SIZE: B	

ITEM NO	PART NUMBER	DESCRIPTION	Q'TY
J	1	020-6603 BLOCK, FLYWHEEL ADJUSTMENT, SPINNER	2
J	2	020-6618 BLOCK, BRAKE, SPINNER NXT	1
J	3	050-2115 LABEL, COUNTRY OF ORIGIN	1
J	4	050-2172 LABEL, SERIAL E-SPINNER	1
I	5	050-2173 LABEL, PATENTS, eSPINNER	1
I	6	110-3318 SCREW, M6X1, 30MM, HHM,SS	2
I	7	110-3325 NUT, HEX, M6X1	2
I	8	110-3326 SCREW, M6X1, 50MM, HHM, SS	2
I	9	110-3328 SCREW, M6X1, 16MM, FHM, HE	4
H	10	110-3464 SCREW, M8X1.0X25MM, SHC, HK, BO	2
H	11	120-3286 WASHER, 6MMX1MM	2
H	12	120-3325 WASHER, FLAT, ID 8.23MM, OD 19.68MM, 2.75THK	2
H	13	130-1716 CHAIN, BMX-410 HX, 110 LINK	1
H	14	140-3322 CAP, CRANK, W/M22X1.0 SCREW	2
H	15	727-0003 ASSY, REAR LEG, NXT/E-SPINNER	2
G	16	740-6905 KIT, ASSY, CHAIN GUARD, INNER, 7090	1
G	17	740-6908 KIT, ASSY, CHAIN GUARD, OUTER, 7090	1
G	18	740-6998 ASSY, E-SPINNER, CONSOLE, POST	1
G	19	740-7003 ASSY, FLYWHEEL, W/CLUTCH, E-SP	1
G	20	740-7026 WHEEL, 3" X 1" X 1/2" BORE	2
F	21	740-7167 WASHER, LOCK, SPLIT, M6	2
F	22	740-7207 ASSY, SPINNER, BRAKE PAD	1
F	23	740-7284 CRANK-LEFT, NXT	1
F	24	740-7285 ASSY, WELDED, CRANK-RIGHT	1
F	25	740-7294 WASHER, PLAIN, 8MM	4
E	26	740-7299 BOLT, B18.3.5M - 8X1.25X16 SOCKET FCHS--16N	2
E	27	740-7330 BOLT, M8X1.25, 45MM, BHC, HE, SS	2
E	28	740-7340 MAIN FRAME ASSY	1
E	29	740-7358 SPACER, WHEEL, E-SPINNER	2
E	30	740-7388 ASSY, HANDLE BAR, E-SPINNER	1
E	31	740-7390 BOTTLE HOLDER ASSY, WELD	1
D	32	740-7529 ASSY, SEAT ADJUST, NXT/e-SPINNER	1
D	33	740-7530 ASSY, SEAT POST, REAR, NXT/e-SPINNER	1



- NOTES:
- Items with "*" (asterisk) balloons are shown for reference only. They are accounted for in the hardware kit.
 - Cranks to be pressed onto the shaft with 10,000 lbs force.
 - Crank bolts torque to be 40 ft-lbs (410 kgf.cm).
 - Run-out of right hand crank/sprocket assembly not to exceed 1 mm.
 - The front and rear sprocket must be aligned with in 1mm.
 - Chain tension to be adjusted to allow 25 ±5 mm deflection.
 - Flywheel locknuts torque to be 40 ft-lbs (410 kgf.cm).
 - Flywheel run-out not to exceed 1 mm.

UNISEN, INC. DBA 14410 Myford Road
STAR TRAC Irvine CA 92606

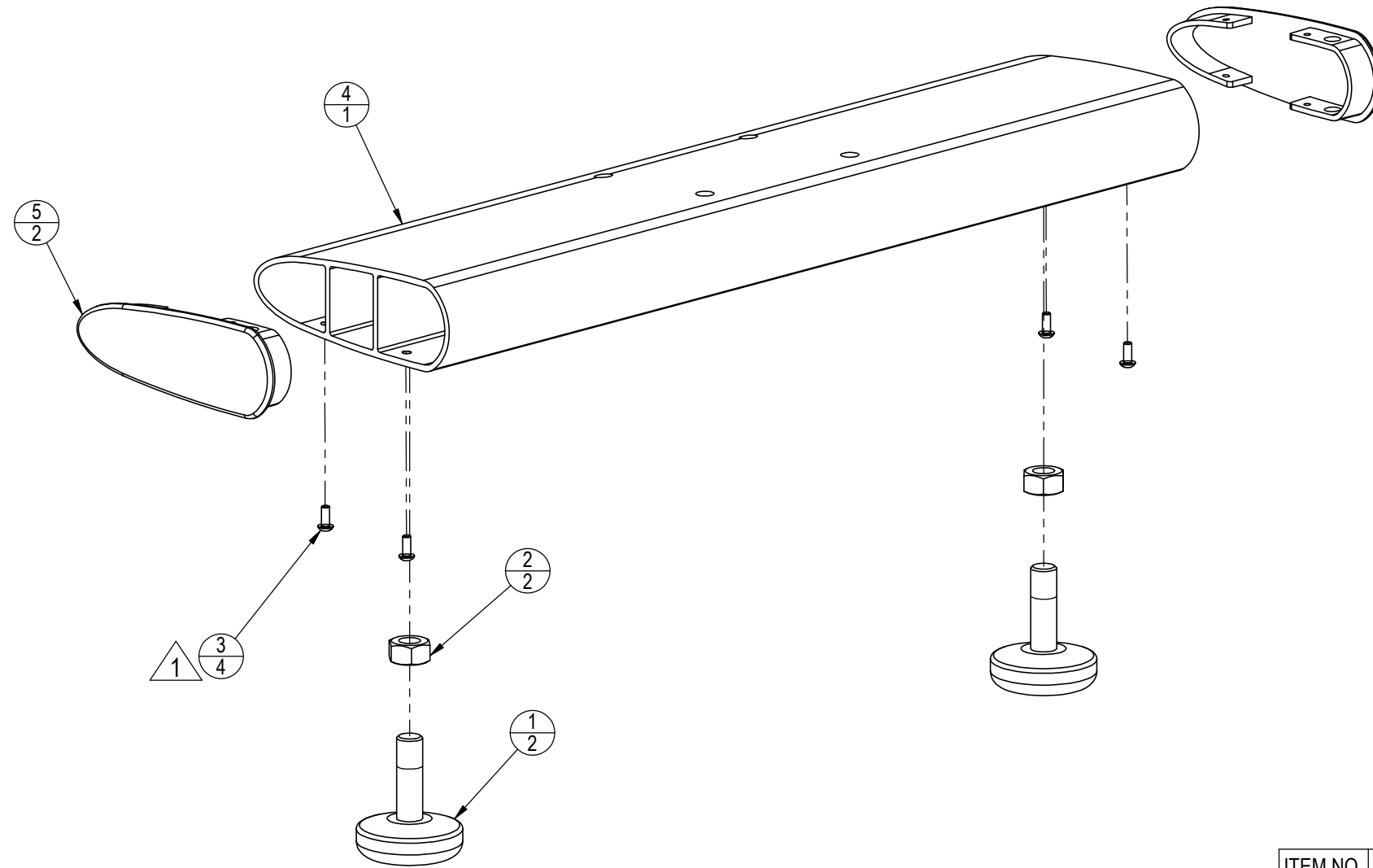
STARTRAC PART NO
740-7455

REV
F

TITLE
E-SPINNER 7140, BASE W/OUT DISPL

SCALE: 1:10 | SHEET 2 OF 2 | SHEET SIZE: B

REVISION HISTORY				
REV	DATE	DESCRIPTION	ECO	BY
A	05-11-05	PRODUCTION RELEASE	11255	RKL
F	10-21-09	REPLACED ENTIRE BOM 800-3729, 110-3317 & 727-0029 WITH 740-7023 & 740-7173 QTY 2, 740-7181 QTY 4; 740-7218, 740-7281 & 740-7280 QTY 1	12264	AK
G	04-07-10	UPDATE NOTES; REPLACED P/N: 740-7281 W/P/N: 740-7280	13141	VW



NOTICE OF PROPRIETARY INFORMATION
 THIS DOCUMENT SHALL NOT BE REPRODUCED NOR SHALL THE INFORMATION CONTAINED HEREIN BE USED BY OR DISCLOSED TO OTHER EXCEPT AS EXPRESSLY AUTHORIZED BY UNISEN INC, D.B.A. STAR TRAC.

**DOCUMENT STATUS:
 RELEASE**

ITEM NO.	PART NUMBER	DESCRIPTION	QTY.
1	740-7023	ASSY, FOOT, W/ OVER MOLD	2
2	740-7173	NUT, 1/2-13, HEX, CS, BO	2
3	740-7181	SCREW, M4X0.7X10, BHC, HE, SS	4
4	740-7218	TUBE, REAR LEG, NXT/E-SPINNER, WELD	1
5	740-7280	END CAP	2

NOTES: 1. APPLY LOCTITE 242/262 (GREEN) OR ENGINEERING APPROVED EQUIV. BEFORE APPLICATION.

CLASS OF WORK	UNLESS OTHERWISE SPECIFIED DIMS ARE IN mm. TOLERANCES FOR MEASURE OF LENGTH ARE:							
	0.5 to 3	>3 to 6	>6 to 30	>30 to 120	>120 to 400	>400 to 1000	>1000 to 2000	>2000
FINE	±0.05	±0.05	±0.1	±0.15	±0.2	±0.3	±0.5	-----
MEDIUM X	±0.1	±0.1	±0.2	±0.3	±0.5	±0.8	±1.2	±2
COARSE	±0.2	±0.3	±0.5	±0.8	±1.2	±2	±3	±4
VERY COARSE	-----	±0.5	±1	±1.5	±2.5	±4	±6	±8

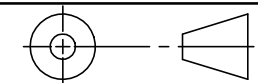
MATERIAL
 SEE BOM

FINISH
 N/A

VENDOR: **N/A**

P/N: **N/A**

THIRD ANGLE PROJECTION



	INITIAL	DATE
DRAWN	SJK	02/17/10
CHECKED		
APPROVED		

UNISEN, INC. DBA
 14410 Myford Road
 Irvine CA 92606

STARTRAC PART NO. **727-0003** REV **G**

TITLE **ASSY, REAR LEG, NXT/E-SPINNER**

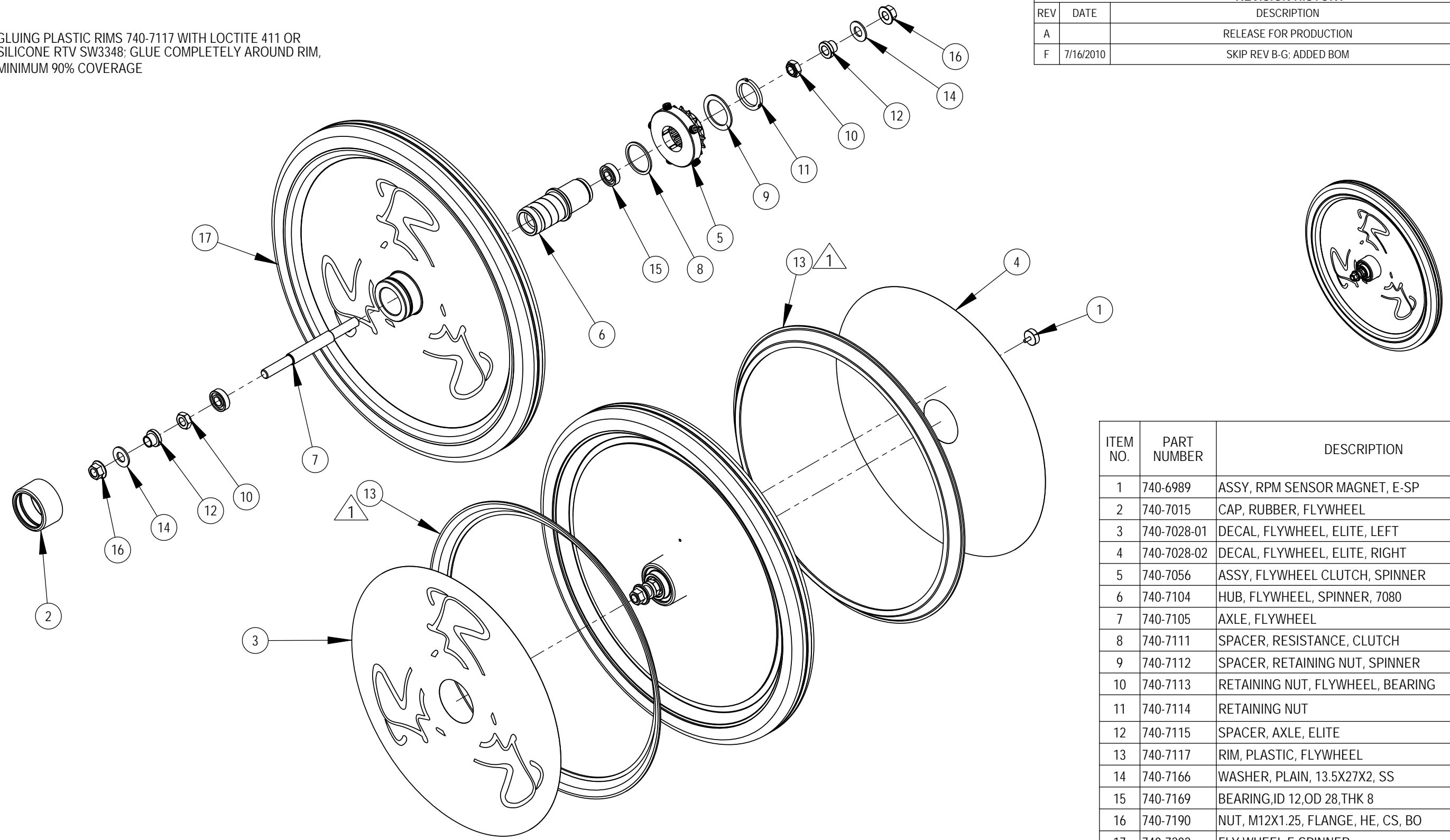
SCALE: 1:3 | SHEET 1 OF 1 | SHEET SIZE: B

NOTES:

1 GLUING PLASTIC RIMS 740-7117 WITH LOCTITE 411 OR SILICONE RTV SW3348; GLUE COMPLETELY AROUND RIM, MINIMUM 90% COVERAGE

REVISION HISTORY

REV	DATE	DESCRIPTION	ECO	BY
A		RELEASE FOR PRODUCTION	12275	AK
F	7/16/2010	SKIP REV B-G; ADDED BOM	13372	FJM



ITEM NO.	PART NUMBER	DESCRIPTION	Decal s/預設/OTY.
1	740-6989	ASSY, RPM SENSOR MAGNET, E-SP	1
2	740-7015	CAP, RUBBER, FLYWHEEL	1
3	740-7028-01	DECAL, FLYWHEEL, ELITE, LEFT	1
4	740-7028-02	DECAL, FLYWHEEL, ELITE, RIGHT	1
5	740-7056	ASSY, FLYWHEEL CLUTCH, SPINNER	1
6	740-7104	HUB, FLYWHEEL, SPINNER, 7080	1
7	740-7105	AXLE, FLYWHEEL	1
8	740-7111	SPACER, RESISTANCE, CLUTCH	1
9	740-7112	SPACER, RETAINING NUT, SPINNER	1
10	740-7113	RETAINING NUT, FLYWHEEL, BEARING	2
11	740-7114	RETAINING NUT	1
12	740-7115	SPACER, AXLE, ELITE	2
13	740-7117	RIM, PLASTIC, FLYWHEEL	2
14	740-7166	WASHER, PLAIN, 13.5X27X2, SS	2
15	740-7169	BEARING, ID 12, OD 28, THK 8	2
16	740-7190	NUT, M12X1.25, FLANGE, HE, CS, BO	2
17	740-7202	FLY WHEEL, E-SPINNER	1

DOCUMENT STATUS:

NOTICE OF PROPRIETARY INFORMATION
THIS DOCUMENT SHALL NOT BE REPRODUCED NOR SHALL THE INFORMATION CONTAINED HEREIN BE USED BY OR DISCLOSED TO OTHER EXCEPT AS EXPRESSLY AUTHORIZED BY UNISEN INC., D.B.A. STAR TRAC.

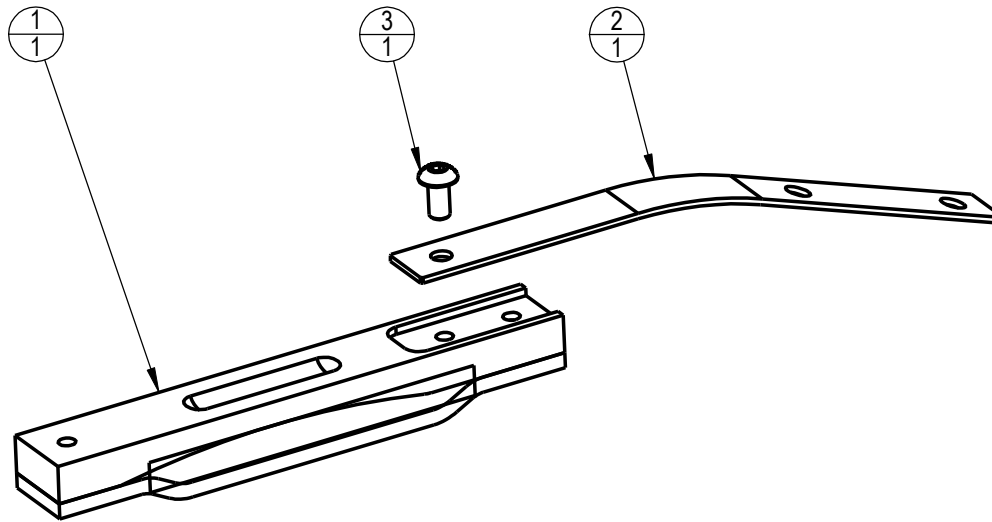
CLASS OF WORK	UNLESS OTHERWISE SPECIFIED DIMS ARE IN mm. TOLERANCES FOR MEASURE OF LENGTH ARE:							ANGLES = ±2°
	0.5 to 3	> 3 to 6	> 6 to 30	> 30 to 120	> 120 to 400	> 400 to 1000	> 1000 to 2000	
FINE	±0.05	±0.05	±0.1	±0.15	±0.2	±0.3	±0.5	----
MEDIUM	±0.1	±0.1	±0.2	±0.3	±0.5	±0.8	±1.2	±2
COARSE	±0.2	±0.3	±0.5	±0.8	±1.2	±2	±3	±4
VERY COARSE	----	±0.5	±1	±1.5	±2.5	±4	±6	±8

MATERIAL SEE BOM	FINISH N/A	VENDOR: N/A	P/N:
---------------------	---------------	-------------	------

THIRD ANGLE PROJECTION	
DRAWN	INITIAL EX
CHECKED	DATE 10-13-08
APPROVED	
U.O.M.	MM

UNISEN, INC. DBA STAR TRAC		14410 Myford Road Irvine CA 92606	
STARTRAC PART NO. 740-7003	REV F	TITLE ASSY, FLYWHEEL, W/CLUTCH, E-SP	
SCALE: 1:5	SHEET 1 OF 1	SHEET SIZE: B	

REVISION HISTORY				
REV	DATE	DESCRIPTION	ECO	BY
F	10-21-09	RELEASE FOR PRODUCTION	12264	AK
G	05-26-10	REMOVE VENDOR P/N	13142	VW



**DOCUMENT STATUS:
RELEASE**

NOTICE OF PROPRIETARY INFORMATION

THIS DOCUMENT SHALL NOT BE REPRODUCED NOR SHALL THE INFORMATION CONTAINED HEREIN BE USED BY OR DISCLOSED TO OTHER EXCEPT AS EXPRESSLY AUTHORIZED BY UNISEN INC, D.B.A. STAR TRAC.

MATERIAL
SEE BOM

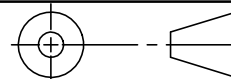
FINISH
N/A

VENDOR:

P/N:

ITEM NO.	PART NUMBER	DESCRIPTION	QTY.
1	740-6872	KIT, ASSY, PAD, BRAKE, SPINNER, 7090/80/70/60	1
2	740-7019	PLATE, BRAKE PAD	1
3	740-7182	SCREW, M5X0.8X10, BHC, HE, SS	1

THIRD ANGLE PROJECTION



UNISEN, INC. DBA



14410 Myford Road
Irvine CA 92606

STARTRAC PART NO

740-7207

REV

G

TITLE

ASSY, SPINNER, BRAKE PAD

SCALE: 1:3

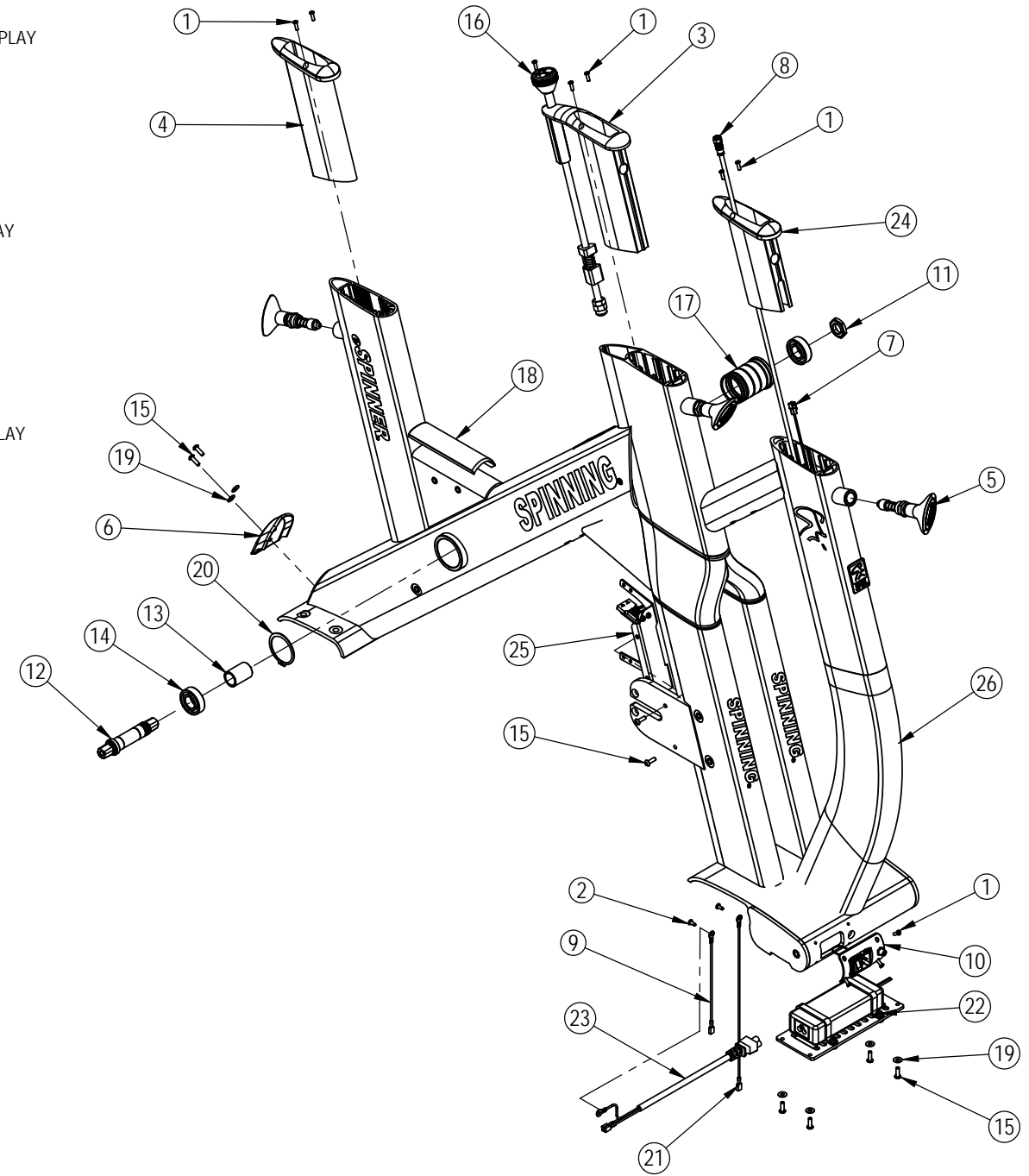
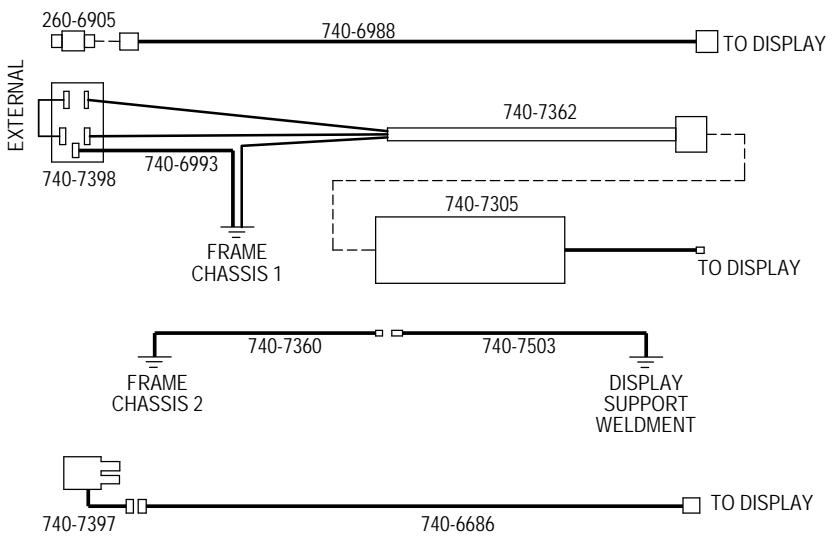
SHEET 1 OF 1

SHEET SIZE: A

CLASS OF WORK	FINE	MEDIUM	COARSE	VERY COARSE
			X	

UNLESS OTHERWISE SPECIFIED DIMS ARE IN mm. TOLERANCES FOR MEASURE OF LENGTH ARE: ANGLES ±2°	0.5 to 3	±0.05	±0.1	±0.2	----
	> 3 to 6	±0.05	±0.1	±0.3	±0.5
	> 6 to 30	±0.1	±0.2	±0.5	±1
	> 30 to 120	±0.15	±0.3	±0.8	±1.5
	> 120 to 400	±0.2	±0.5	±1.2	±2.5
	> 400 to 1000	±0.3	±0.8	±2	±4
	> 1000 to 2000	±0.5	±1.2	±3	±6
	> 2000	----	±2	±4	±8

REVISION HISTORY				
REV	DATE	DESCRIPTION	ECO	BY
A	4-15-2009	RELEASE FOR PRODUCTION		JC
F	7/16/2010	SKIP REV B-G; ADDED BOM.	13372	FJM



ITEM NO	PART NUMBER	DESCRIPTION	QTY
1	110-3272	BOLT, B18.0.7M-M4X0.7X12 TYPE I CROSS	11
2	110-3404	SCREW, M4x0.7x10L,PHT,PH,CS,BO	2
3	727-0008	SLEEVE, HANDLEBAR POST, SPINNER NXT	1
4	727-0009	SLEEVE, SEATPOST, SPINNER, NXT	1
5	727-0010	ASSY, POP PIN, NXT/E-SPINNER	3
6	727-0012	PAD, STRETCH, NXT/E-SPINNER	1
7	740-6986	E-SPINNER, RPM CONNECTOR CABLE	1
8	740-6988	CABLE, COAX, E-SPINNER BASE	1
9	740-6993	CABLE, GROUND, CHASSIS-SWITCH (300MM)	1
10	740-7004	ASSY,POWER SWITCH, E-SPINNER	1
11	740-7159	NUT, AXLE B/B	1
12	740-7160	B/B AXLE	1
13	740-7161	SPACER, AXLE, B/B	1
14	740-7170	BEARING, 20 ID, 42 OD, 12THK	2
15	740-7183	SCREW,M5X0.8X16,BHC,HE,SS	8
16	740-7223	ASSY, BRAKE, ADJUSTMENT KNOB	1
17	740-7246	SPACER, NXT FRAME, HUB	1
18	740-7292	STEP, PROTECTOR, NXT/E-SPINNER	1
19	740-7293	WASHER, ID 5.5MM, OD 13MM, SS	6
20	740-7302	SPRING RING, B27.7M-3AM1-48	1
21	740-7360	CABLE, GROUND, CHASSIS-NECK (1260MM)	1
22	740-7361	TRANSFORMER ASSY	1
23	740-7362	CABLE, POWER SUPPLY, E-SPINNER	1
24	740-7368	SLEEVE,CONSOLE SUPPORT	1
25	740-7395	SENSOR ASSY	1
26	740-7737	ASSY, FRAME W/LOGOS, E-SPINNER	1

NOTICE OF PROPRIETARY INFORMATION
 THIS DOCUMENT SHALL NOT BE REPRODUCED NOR SHALL THE INFORMATION CONTAINED HEREIN BE USED BY OR DISCLOSED TO OTHER EXCEPT AS EXPRESSLY AUTHORIZED BY UNISEN INC. D.B.A. STAR TRAC.

DOCUMENT STATUS:

CLASS OF WORK	UNLESS OTHERWISE SPECIFIED DIMS ARE IN mm. TOLERANCES FOR MEASURE OF LENGTH ARE:							ANGLES = ±2°
	0.5 to 3	> 3 to 6	> 6 to 30	> 30 to 120	> 120 to 400	> 400 to 1000	> 1000 to 2000	
FINE	±0.05	±0.05	±0.1	±0.15	±0.2	±0.3	±0.5	----
MEDIUM	±0.1	±0.1	±0.2	±0.3	±0.5	±0.8	±1.2	±2
COARSE	±0.2	±0.3	±0.5	±0.8	±1.2	±2	±3	±4
VERY COARSE	----	±0.5	±1	±1.5	±2.5	±4	±6	±8

MATERIAL SEE BOM	
FINISH N/A	
VENDOR:	P/N:

THIRD ANGLE PROJECTION	
DRAWN	DATE
FJM	1-20-2009
CHECKED	
APPROVED	
U.O.M.	MM

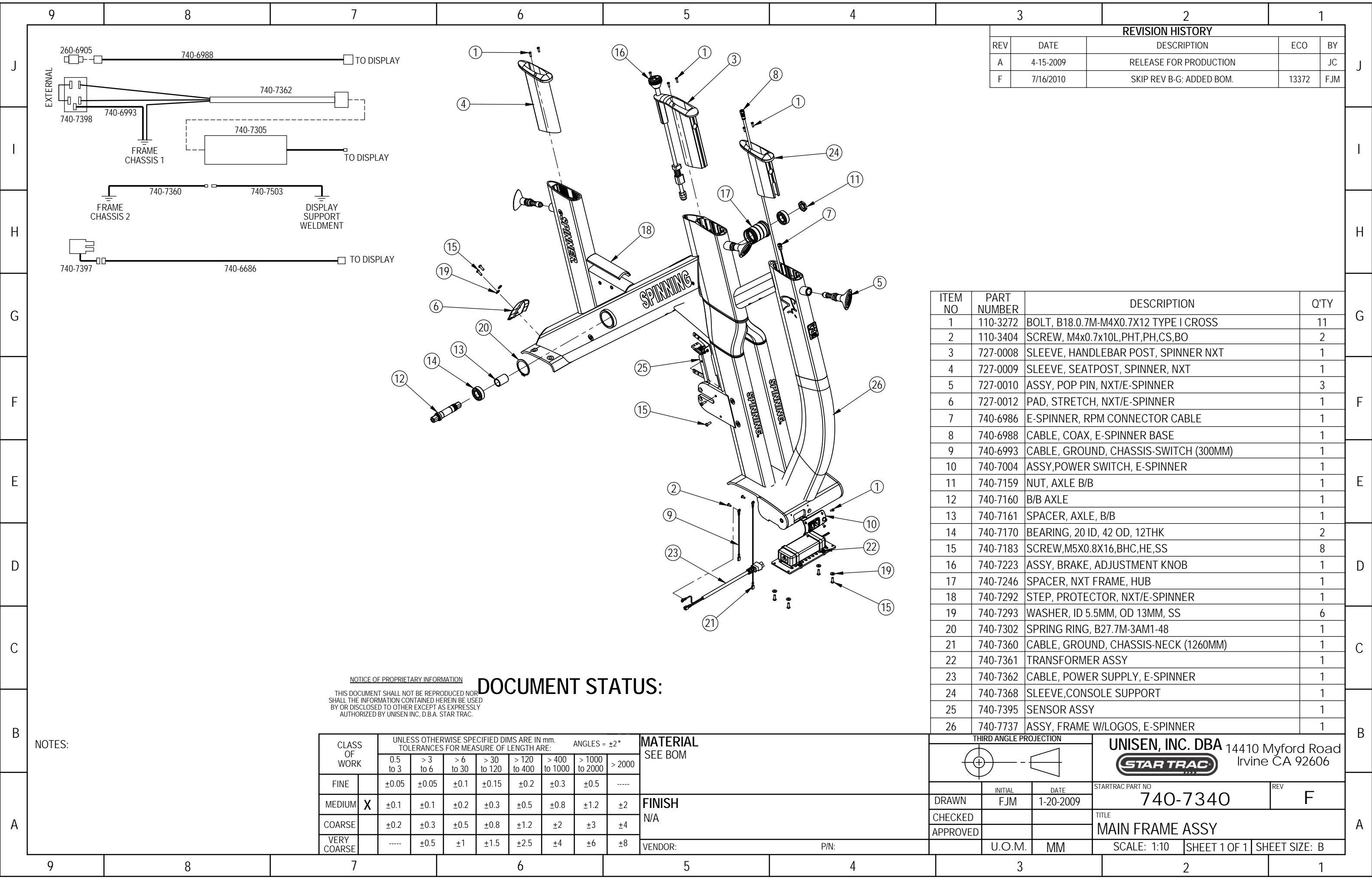
UNISEN, INC. DBA STAR TRAC 14410 Myford Road Irvine CA 92606

STARTRAC PART NO: **740-7340** REV: **F**

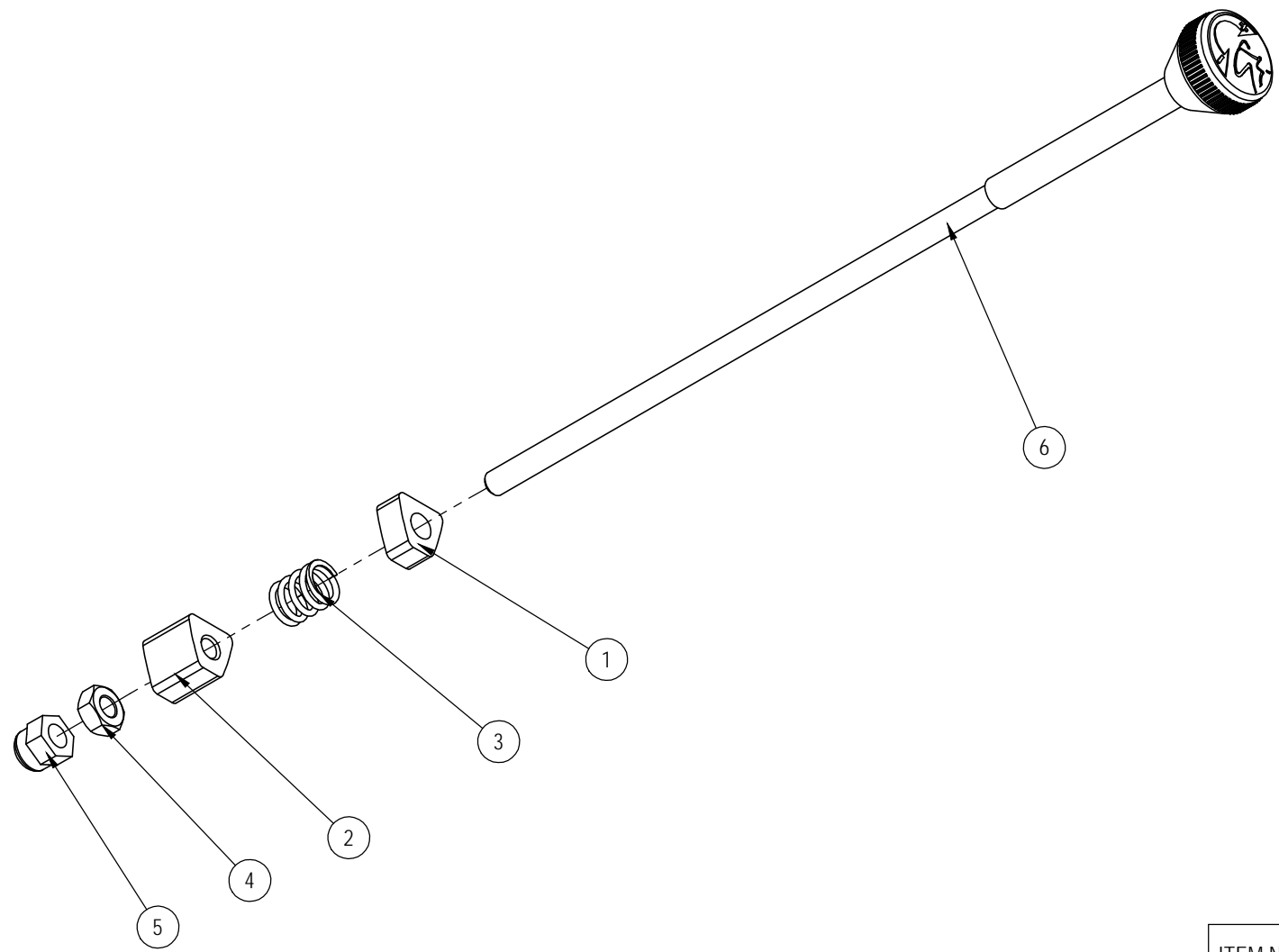
TITLE: **MAIN FRAME ASSY**

SCALE: 1:10 | SHEET 1 OF 1 | SHEET SIZE: B

NOTES:



REVISION HISTORY				
REV	DATE	DESCRIPTION	ECO	BY
F	10-21-09	RELEASE FOR PRODUCTION	12269	AK



ITEM NO.	PART NUMBER	DESCRIPTION	Q'TY.
1	140-3287	CUSHION, BRAKE KNOB	1
2	140-3288	NUT, BLOCK, BRAKE, SPINNER NXT	1
3	740-7124	SPRING, BRAKE KNOB	1
4	740-7178	NUT, M10X1.5, HE, SS	1
5	740-7189	NUT, M10X1.5, ACORN, SS	1
6	740-7219	KNOB, TENSION, BRAKE, NXT/E-SPINNER	1

**DOCUMENT STATUS:
RELEASE**

NOTICE OF PROPRIETARY INFORMATION
THIS DOCUMENT SHALL NOT BE REPRODUCED NOR SHALL THE INFORMATION CONTAINED HEREIN BE USED BY OR DISCLOSED TO OTHER EXCEPT AS EXPRESSLY AUTHORIZED BY UNISEN INC., D.B.A. STAR TRAC.

CLASS OF WORK	UNLESS OTHERWISE SPECIFIED DIMS ARE IN mm. ANGLES = ±2° TOLERANCES FOR MEASURE OF LENGTH ARE:							
	0.5 to 3	> 3 to 6	> 6 to 30	> 30 to 120	> 120 to 400	> 400 to 1000	> 1000 to 2000	> 2000
FINE	±0.05	±0.05	±0.1	±0.15	±0.2	±0.3	±0.5	-----
MEDIUM	±0.1	±0.1	±0.2	±0.3	±0.5	±0.8	±1.2	±2
COARSE	±0.2	±0.3	±0.5	±0.8	±1.2	±2	±3	±4
VERY COARSE	-----	±0.5	±1	±1.5	±2.5	±4	±6	±8

MATERIAL
SEE BOM

FINISH
N/A

VENDOR: N/A **P/N:** 321-4-2300-00

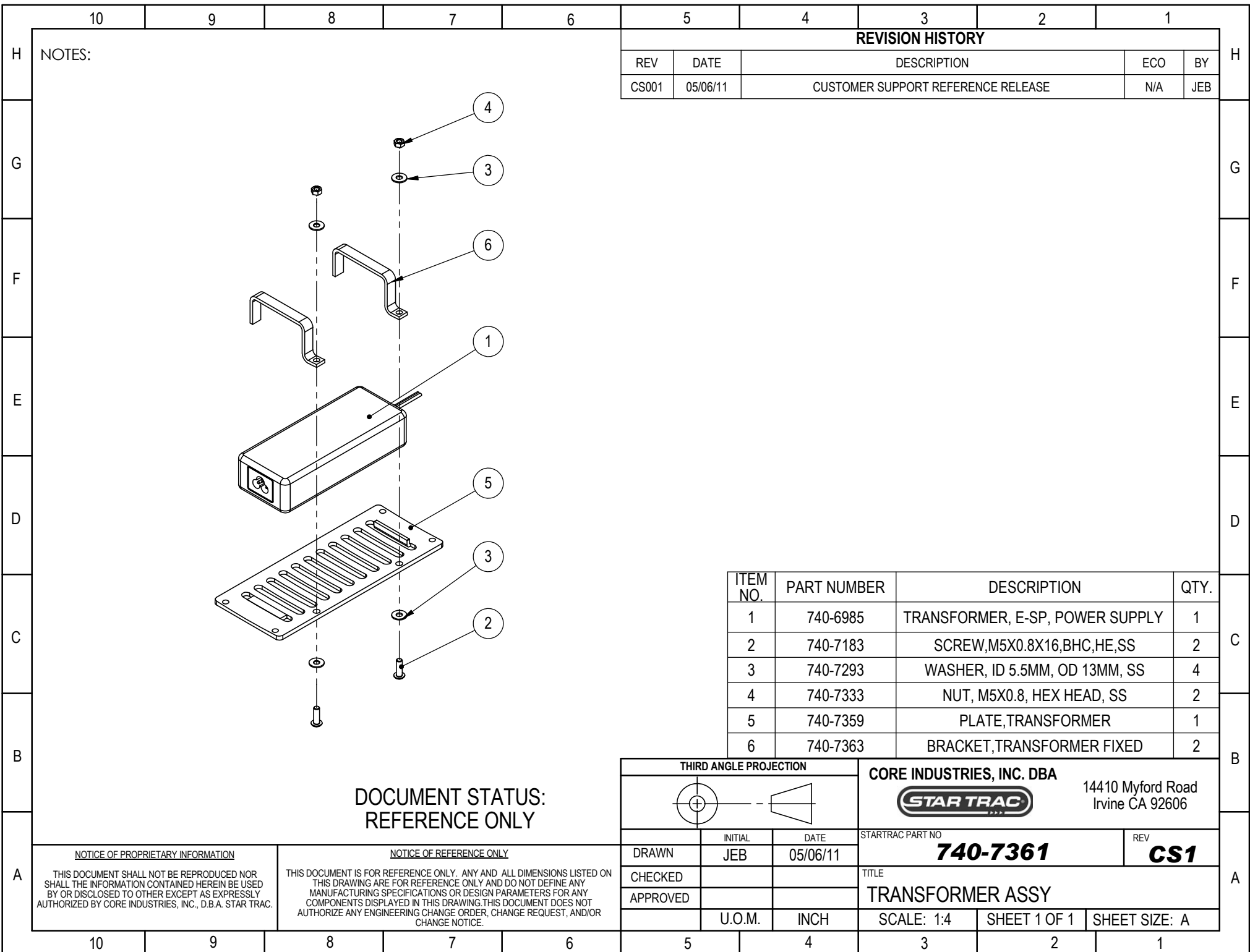
THIRD ANGLE PROJECTION		
	INITIAL	DATE
DRAWN	JC	10-20-2008
CHECKED		
APPROVED		
	U.O.M.	MM

UNISEN, INC. DBA
STAR TRAC
14410 Myford Road
Irvine CA 92606

STARTRAC PART NO: **740-7223** REV: **F**

TITLE: **ASSY, BRAKE, ADJUSTMENT KNOB**

SCALE: 1:2.5 SHEET 1 OF 1 SHEET SIZE: B



NOTES:

REVISION HISTORY

REV	DATE	DESCRIPTION	ECO	BY
CS001	05/06/11	CUSTOMER SUPPORT REFERENCE RELEASE	N/A	JEB

ITEM NO.	PART NUMBER	DESCRIPTION	QTY.
1	740-6985	TRANSFORMER, E-SP, POWER SUPPLY	1
2	740-7183	SCREW, M5X0.8X16, BHC, HE, SS	2
3	740-7293	WASHER, ID 5.5MM, OD 13MM, SS	4
4	740-7333	NUT, M5X0.8, HEX HEAD, SS	2
5	740-7359	PLATE, TRANSFORMER	1
6	740-7363	BRACKET, TRANSFORMER FIXED	2

**DOCUMENT STATUS:
REFERENCE ONLY**

THIRD ANGLE PROJECTION		
DRAWN	INITIAL JEB	DATE 05/06/11
CHECKED		
APPROVED		
	U.O.M.	INCH

CORE INDUSTRIES, INC. DBA			14410 Myford Road Irvine CA 92606		
STARTRAC PART NO		740-7361		REV	
				CS1	
TITLE					
TRANSFORMER ASSY					
		SCALE: 1:4	SHEET 1 OF 1		SHEET SIZE: A

NOTICE OF PROPRIETARY INFORMATION

THIS DOCUMENT SHALL NOT BE REPRODUCED NOR SHALL THE INFORMATION CONTAINED HEREIN BE USED BY OR DISCLOSED TO OTHER EXCEPT AS EXPRESSLY AUTHORIZED BY CORE INDUSTRIES, INC., D.B.A. STAR TRAC.

NOTICE OF REFERENCE ONLY

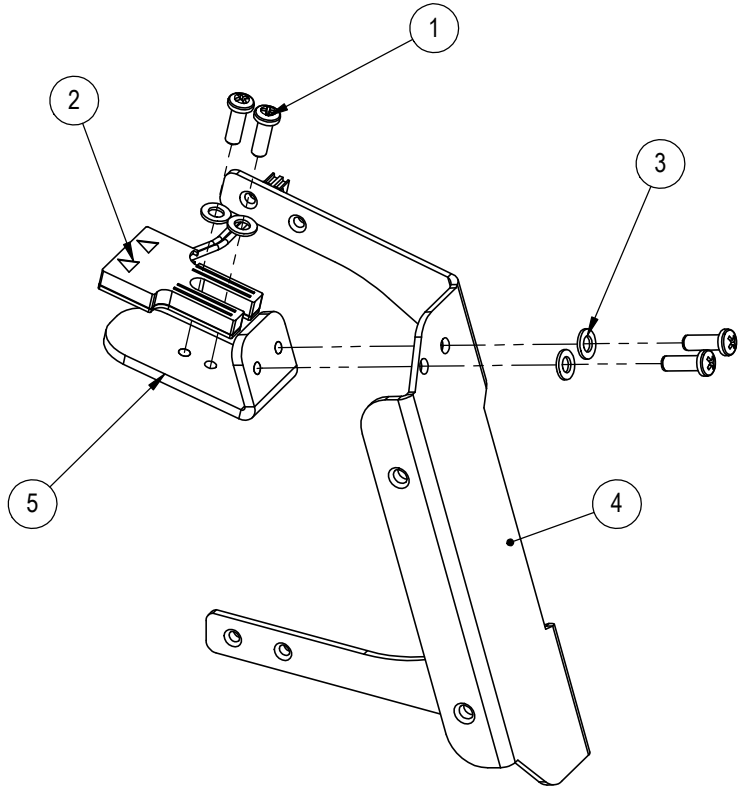
THIS DOCUMENT IS FOR REFERENCE ONLY. ANY AND ALL DIMENSIONS LISTED ON THIS DRAWING ARE FOR REFERENCE ONLY AND DO NOT DEFINE ANY MANUFACTURING SPECIFICATIONS OR DESIGN PARAMETERS FOR ANY COMPONENTS DISPLAYED IN THIS DRAWING. THIS DOCUMENT DOES NOT AUTHORIZE ANY ENGINEERING CHANGE ORDER, CHANGE REQUEST, AND/OR CHANGE NOTICE.

10 9 8 7 6 5 4 3 2 1

H NOTES:

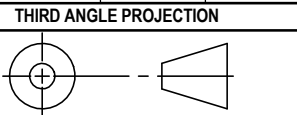
REVISION HISTORY

REV	DATE	DESCRIPTION	ECO	BY
CS001	11/09/11	CUSTOMER SUPPORT REFERENCE RELEASE	N/A	JEB



ITEM NO.	PART NUMBER	DESCRIPTION	QTY.
1	110-3272	BOLT, B18.0.7M-M4X0.7X12 TYPE I CROSS	4
2	740-6987	SENSOR, RPM, E-SPINNER	1
3	740-7163	WASHER, FLAT, M4, SS	4
4	740-7394	BRACKET CHAIN GUARD INSIDE	1
5	740-7396	BRACKET, SWITCH FIXED	1

**DOCUMENT STATUS:
REFERENCE ONLY**



CORE INDUSTRIES, INC. DBA

 14410 Myford Road
 Irvine CA 92606

NOTICE OF PROPRIETARY INFORMATION
 THIS DOCUMENT SHALL NOT BE REPRODUCED NOR SHALL THE INFORMATION CONTAINED HEREIN BE USED BY OR DISCLOSED TO OTHER EXCEPT AS EXPRESSLY AUTHORIZED BY CORE INDUSTRIES, INC., D.B.A. STAR TRAC.

NOTICE OF REFERENCE ONLY
 THIS DOCUMENT IS FOR REFERENCE ONLY. ANY AND ALL DIMENSIONS LISTED ON THIS DRAWING ARE FOR REFERENCE ONLY AND DO NOT DEFINE ANY MANUFACTURING SPECIFICATIONS OR DESIGN PARAMETERS FOR ANY COMPONENTS DISPLAYED IN THIS DRAWING. THIS DOCUMENT DOES NOT AUTHORIZE ANY ENGINEERING CHANGE ORDER, CHANGE REQUEST, AND/OR CHANGE NOTICE.

THIRD ANGLE PROJECTION	INITIAL	DATE	STARTRAC PART NO	REV
DRAWN	JEB	11/09/11	740-7395	CS01
CHECKED			TITLE	
APPROVED			SENSOR ASSY	
	U.O.M.	INCH	SCALE: 1:2	SHEET 1 OF 1
				SHEET SIZE: A

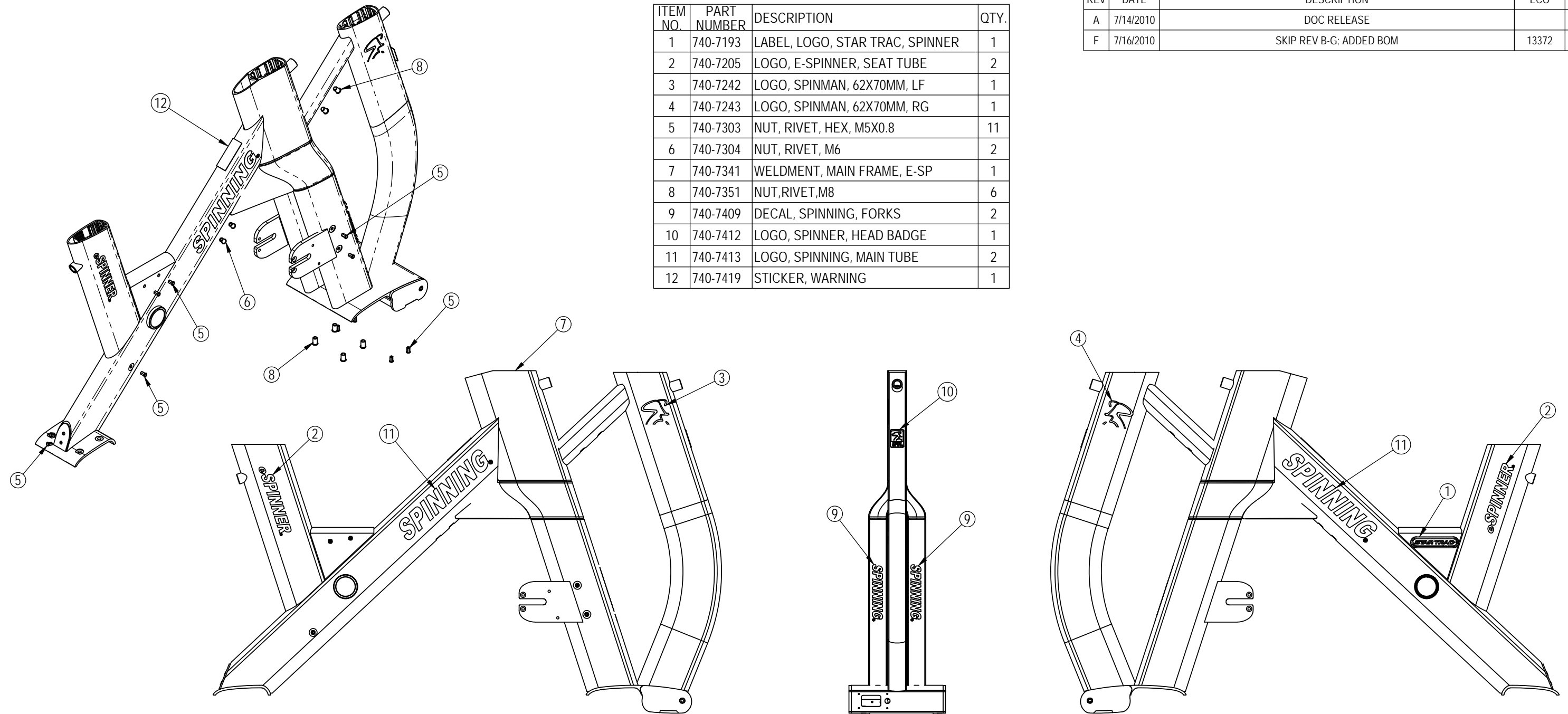
10 9 8 7 6 5 4 3 2 1

A

A

ITEM NO.	PART NUMBER	DESCRIPTION	QTY.
1	740-7193	LABEL, LOGO, STAR TRAC, SPINNER	1
2	740-7205	LOGO, E-SPINNER, SEAT TUBE	2
3	740-7242	LOGO, SPINMAN, 62X70MM, LF	1
4	740-7243	LOGO, SPINMAN, 62X70MM, RG	1
5	740-7303	NUT, RIVET, HEX, M5X0.8	11
6	740-7304	NUT, RIVET, M6	2
7	740-7341	WELDMNT, MAIN FRAME, E-SP	1
8	740-7351	NUT, RIVET, M8	6
9	740-7409	DECAL, SPINNING, FORKS	2
10	740-7412	LOGO, SPINNER, HEAD BADGE	1
11	740-7413	LOGO, SPINNING, MAIN TUBE	2
12	740-7419	STICKER, WARNING	1

REVISION HISTORY				
REV	DATE	DESCRIPTION	ECO	BY
A	7/14/2010	DOC RELEASE		FJM
F	7/16/2010	SKIP REV B-G; ADDED BOM	13372	FJM



NOTICE OF PROPRIETARY INFORMATION
 THIS DOCUMENT SHALL NOT BE REPRODUCED NOR SHALL THE INFORMATION CONTAINED HEREIN BE USED BY OR DISCLOSED TO OTHER EXCEPT AS EXPRESSLY AUTHORIZED BY UNISEN INC. D.B.A. STAR TRAC.

DOCUMENT STATUS:

NOTES:

CLASS OF WORK	UNLESS OTHERWISE SPECIFIED DIMS ARE IN mm. TOLERANCES FOR MEASURE OF LENGTH ARE:							ANGLES = ±2°
	0.5 to 3	> 3 to 6	> 6 to 30	> 30 to 120	> 120 to 400	> 400 to 1000	> 1000 to 2000	
FINE	±0.05	±0.05	±0.1	±0.15	±0.2	±0.3	±0.5	----
MEDIUM X	±0.1	±0.1	±0.2	±0.3	±0.5	±0.8	±1.2	±2
COARSE	±0.2	±0.3	±0.5	±0.8	±1.2	±2	±3	±4
VERY COARSE	----	±0.5	±1	±1.5	±2.5	±4	±6	±8

MATERIAL
SEE BOM

FINISH
N/A

VENDOR: _____ P/N: _____

THIRD ANGLE PROJECTION		
DRAWN	INITIAL FJM	DATE 07-10-10
CHECKED		
APPROVED		
	U.O.M.	MM

UNISEN, INC. DBA

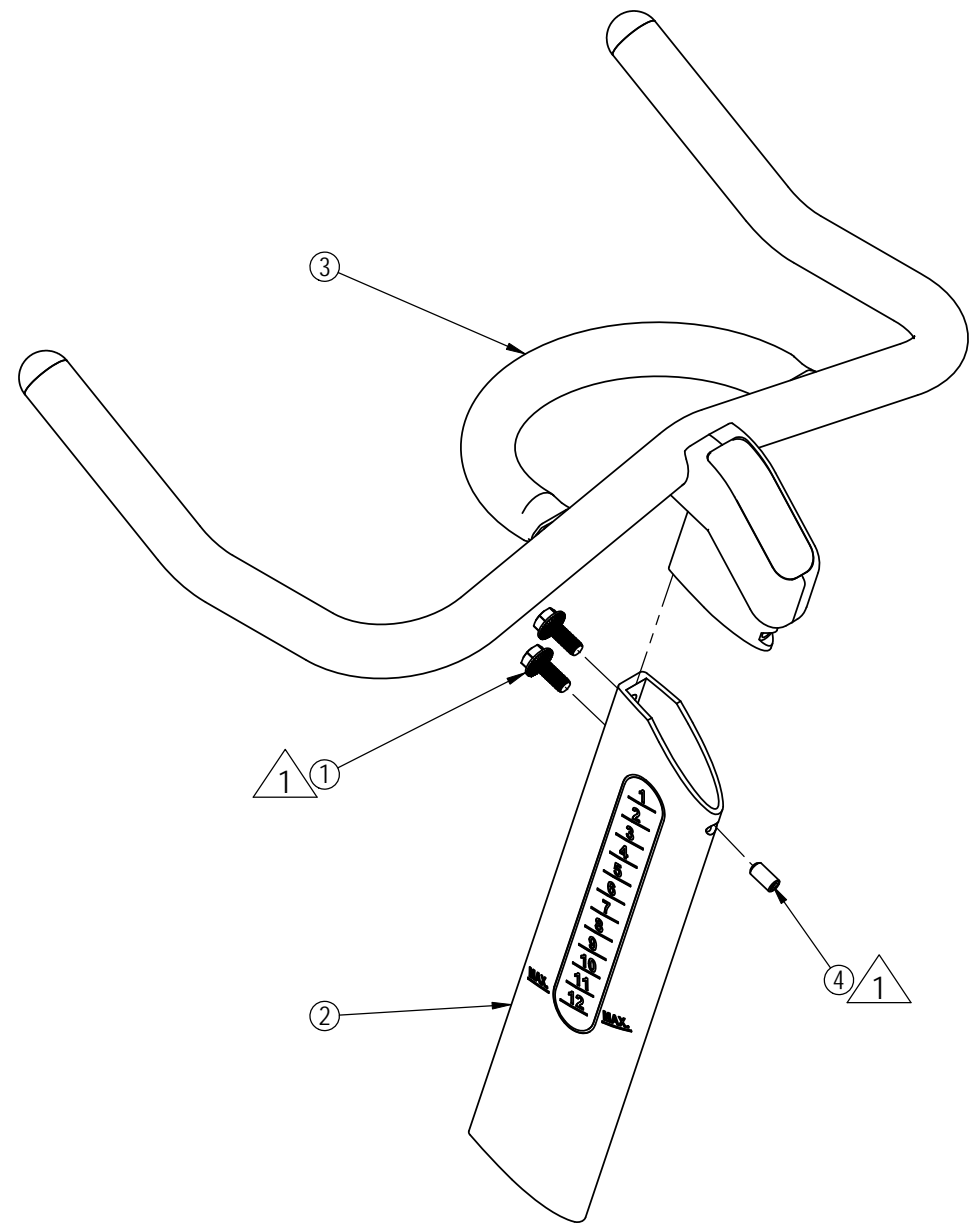
 14410 Myford Road
 Irvine CA 92606

STARTRAC PART NO: **740-7737** REV: **F**

TITLE: **ASSY, FRAME W/LOGOS, E-SPINNER**

SCALE: 1:10 | SHEET 1 OF 1 | SHEET SIZE: B

REVISION HISTORY				
REV	DATE	DESCRIPTION	ECO	BY
A	6/16/2011	RELEASE FOR PRODUCTION	13468	DMM



NOTICE OF PROPRIETARY INFORMATION
 THIS DOCUMENT SHALL NOT BE REPRODUCED NOR SHALL THE INFORMATION CONTAINED HEREIN BE USED BY OR DISCLOSED TO OTHER EXCEPT AS EXPRESSLY AUTHORIZED BY UNISEN INC. D.B.A. STAR TRAC.

DOCUMENT STATUS:

ITEM NO	PART NUMBER	DESCRIPTION	Q'TY
1	110-3462	SCREW,NP, FLANGE, SERRATED, M8X1.25, 20mm	2
2	740-6861	POST, HANDLEBAR, NXT, 7090	1
3	740-6990	ASSY, HANDLE BAR, DIP	1
4	740-7295	SCREW, M8X1.25X16 CP SET, HE, SS	1

NOTES:
 1. ALLOW AT LEAST 12 HRS FOR THE LOCTITE TO CURE PRIOR TO USE.

CLASS OF WORK	UNLESS OTHERWISE SPECIFIED DIMS ARE IN mm. TOLERANCES FOR MEASURE OF LENGTH ARE:							ANGLES = ±2°		
	0.5 to 3	> 3 to 6	> 6 to 30	> 30 to 120	> 120 to 400	> 400 to 1000	> 1000 to 2000	> 2000		
FINE	±0.05	±0.05	±0.1	±0.15	±0.2	±0.3	±0.5	----		
MEDIUM	±0.1	±0.1	±0.2	±0.3	±0.5	±0.8	±1.2	±2		
COARSE	±0.2	±0.3	±0.5	±0.8	±1.2	±2	±3	±4		
VERY COARSE	----	±0.5	±1	±1.5	±2.5	±4	±6	±8		

MATERIAL
SEE BOM

FINISH
N/A

VENDOR: _____ **P/N:** _____

THIRD ANGLE PROJECTION

DRAWN	INITIAL	DATE
CHECKED		
APPROVED		

UNISEN, INC. DBA 14410 Myford Road
 Irvine CA 92606

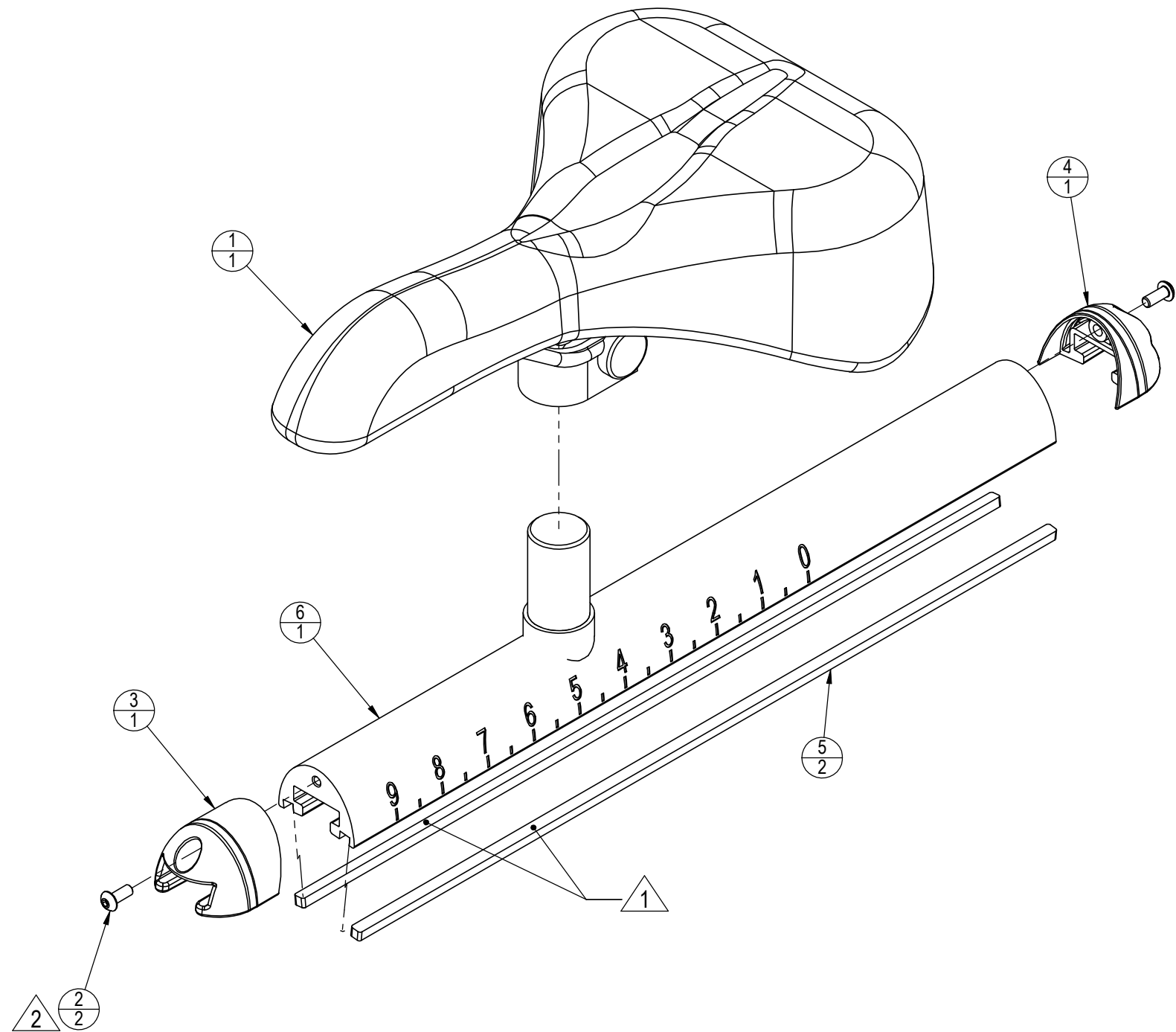
STAR TRAC

STARTRAC PART NO: **740-7388** REV: **A**

TITLE: **ASSY, HANDLE BAR, E-SPINNER**

U.O.M.: mm SCALE: 1:10 SHEET 1 OF 1 SHEET SIZE: B

REVISION HISTORY				
REV	DATE	DESCRIPTION	ECO	BY
A	04-07-10	PRODUCTION RELEASE	13141	SJK



NOTICE OF PROPRIETARY INFORMATION
 THIS DOCUMENT SHALL NOT BE REPRODUCED NOR
 SHALL THE INFORMATION CONTAINED HEREIN BE USED
 BY OR DISCLOSED TO OTHER EXCEPT AS EXPRESSLY
 AUTHORIZED BY UNISEN INC, D.B.A. STAR TRAC.

**DOCUMENT STATUS:
 RELEASE**

ITEM NO.	PART NUMBER	DESCRIPTION	QTY.
1	727-0022	SADDLE, SPIN, NXT, E, ELITE	1
2	740-7181	SCREW, M4X0.7X10, BHC, HE, SS	2
3	740-7272	ENDCAP, FRONT, SEAT SLIDER	1
4	740-7273	ENDCAP, REAR, SEAT SLIDER	1
5	740-7274	SHIM, SEAT SLIDER, RIGHT, NXT	2
6	740-7527	SEAT SLIDER, RAIL, TOP, WELDMENT	1

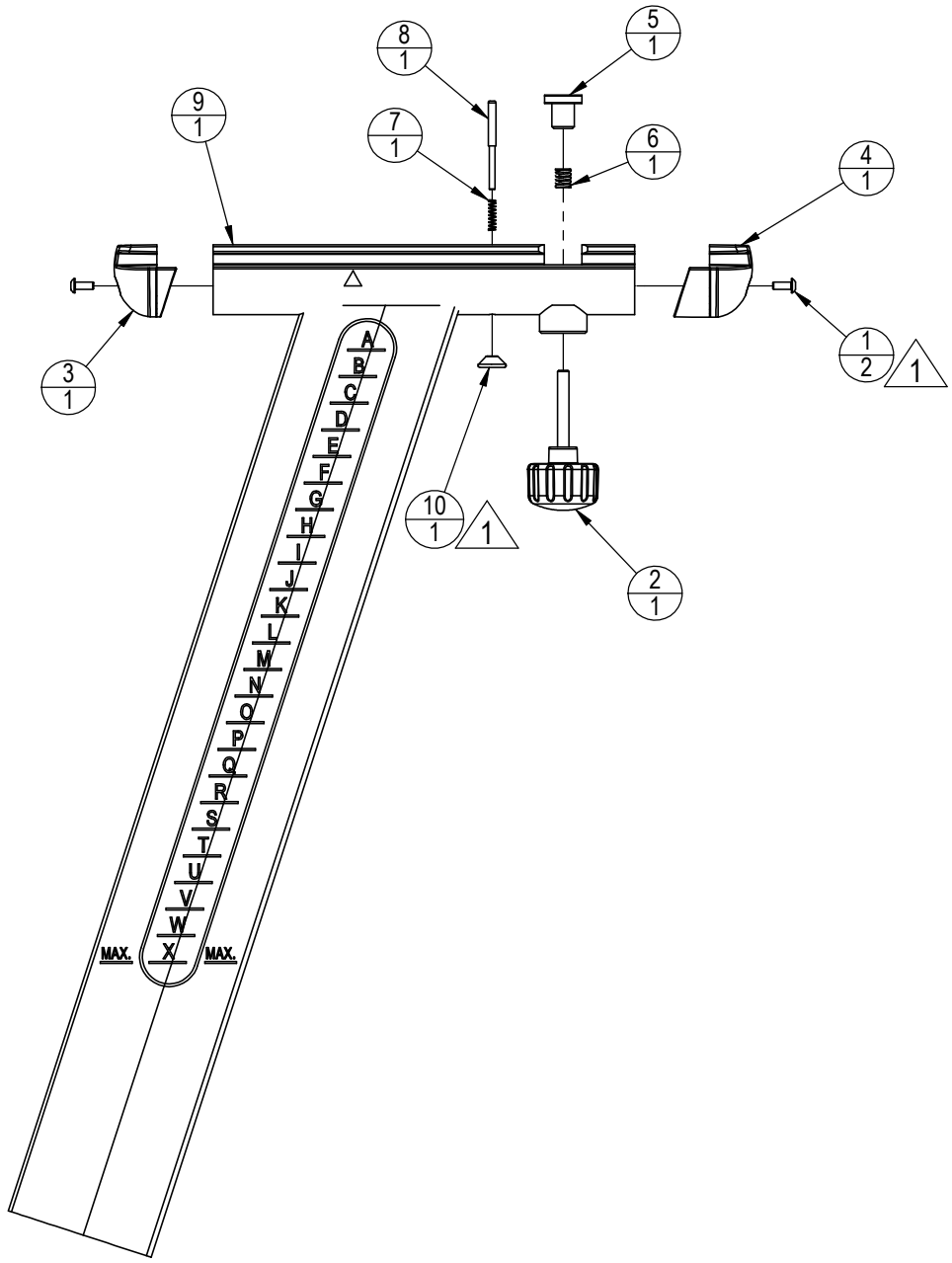
- NOTES:
1. APPLY LOCTITE 411 OR ENGINEERING APPROVED EQUIV. BEFORE APPLICATION OF P/N: 740-7274.
 2. APPLY LOCTITE 290 (GREEN) OR ENGINEERING APPROVED EQUIV. BEFORE APPLICATION OF P/N: 740-7181.

CLASS OF WORK	UNLESS OTHERWISE SPECIFIED DIMS ARE IN mm. TOLERANCES FOR MEASURE OF LENGTH ARE:							
	0.5 to 3	>3 to 6	>6 to 30	>30 to 120	>120 to 400	>400 to 1000	>1000 to 2000	>2000
FINE	±0.05	±0.05	±0.1	±0.15	±0.2	±0.3	±0.5	-----
MEDIUM	±0.1	±0.1	±0.2	±0.3	±0.5	±0.8	±1.2	±2
COARSE	±0.2	±0.3	±0.5	±0.8	±1.2	±2	±3	±4
VERY COARSE	-----	±0.5	±1	±1.5	±2.5	±4	±6	±8

MATERIAL SEE BOM		THIRD ANGLE PROJECTION 	
FINISH N/A		DRAWN	DATE
VENDOR: N/A		SJK	01/11/10
P/N: N/A		CHECKED	
		APPROVED	
		U.O.M.	mm

UNISEN, INC. DBA 		14410 Myford Road Irvine CA 92606	
STARTRAC PART NO 740-7529		REV A	
TITLE ASSY, SEAT ADJUST, NXT/e-SPINNER			
SCALE: 1:2	SHEET 1 OF 1	SHEET SIZE: B	

REVISION HISTORY				
REV	DATE	DESCRIPTION	ECO	BY
A	04-07-10	PRODUCTION RELEASE	13141	SJK



ITEM NO.	PART NUMBER	DESCRIPTION	QTY.
1	740-7181	SCREW, M4X0.7X10, BHC, HE, SS	2
2	740-7216	ASSY, KNOB, SEAT SLIDER	1
3	740-7260	ENDCAP, FRONT, SEAT RAIL	1
4	740-7261	ENDCAP, REAR, SEAT RAIL	1
5	740-7267	HOLDING NUT, SEAT SLIDER, NXT/E-SPINNER	1
6	740-7268	SPRING, TENSION HANDLE, NXT/E-SPINNER	1
7	740-7271	SPRING, SEAT SLIDER, NXT	1
8	740-7526	PIN, STOP, SEAT SLIDER	1
9	740-7528	SEAT POST, REAR, WELDMENT	1
10	740-7531	HANDLE, STOP, SEAT SLIDER	1

NOTICE OF PROPRIETARY INFORMATION
 THIS DOCUMENT SHALL NOT BE REPRODUCED NOR
 SHALL THE INFORMATION CONTAINED HEREIN BE USED
 BY OR DISCLOSED TO OTHER EXCEPT AS EXPRESSLY
 AUTHORIZED BY UNISEN INC, D.B.A. STAR TRAC.

**DOCUMENT STATUS:
 RELEASE**

CLASS OF WORK	UNLESS OTHERWISE SPECIFIED DIMS ARE IN mm. TOLERANCES FOR MEASURE OF LENGTH ARE:							
	0.5 to 3	> 3 to 6	> 6 to 30	> 30 to 120	> 120 to 400	> 400 to 1000	> 1000 to 2000	> 2000
FINE	±0.05	±0.05	±0.1	±0.15	±0.2	±0.3	±0.5	-----
MEDIUM	±0.1	±0.1	±0.2	±0.3	±0.5	±0.8	±1.2	±2
COARSE	±0.2	±0.3	±0.5	±0.8	±1.2	±2	±3	±4
VERY COARSE	-----	±0.5	±1	±1.5	±2.5	±4	±6	±8

MATERIAL
SEE BOM

FINISH
N/A

VENDOR: N/A **P/N:** N/A

THIRD ANGLE PROJECTION

DRAWN: SJK DATE: 01/11/10

CHECKED: DATE: REV: A

APPROVED: DATE: REV: A

U.O.M. mm

UNISEN, INC. DBA
STAR TRAC
 14410 Myford Road
 Irvine CA 92606

STARTRAC PART NO: **740-7530** REV: **A**

TITLE: **ASSY, SEAT POST, REAR, NXT/e-SPINNER**

SCALE: 1:4 SHEET 1 OF 1 SHEET SIZE: B

NOTES:
 1. APPLY LOCTITE 290 (GREEN) OR ENGINEERING APPROVED EQUIV. BEFORE APPLICATION OF P/N: 740-7181 AND 740-7526.

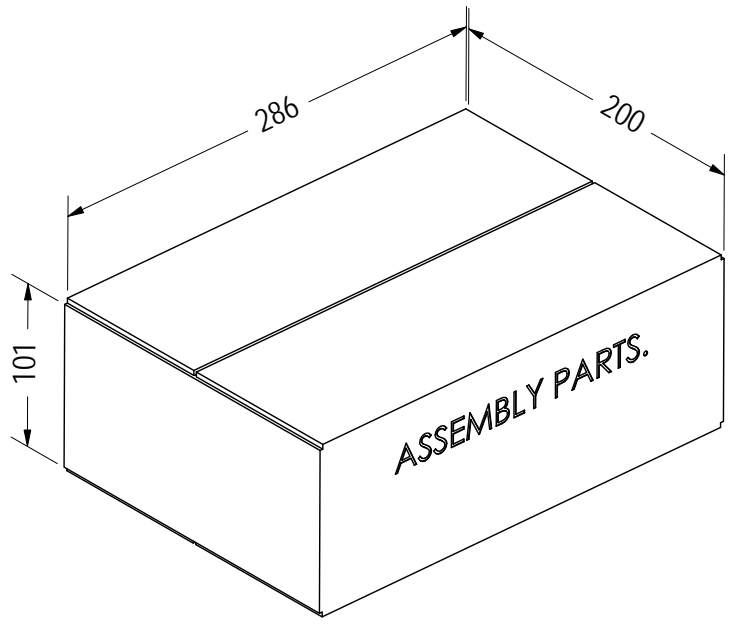
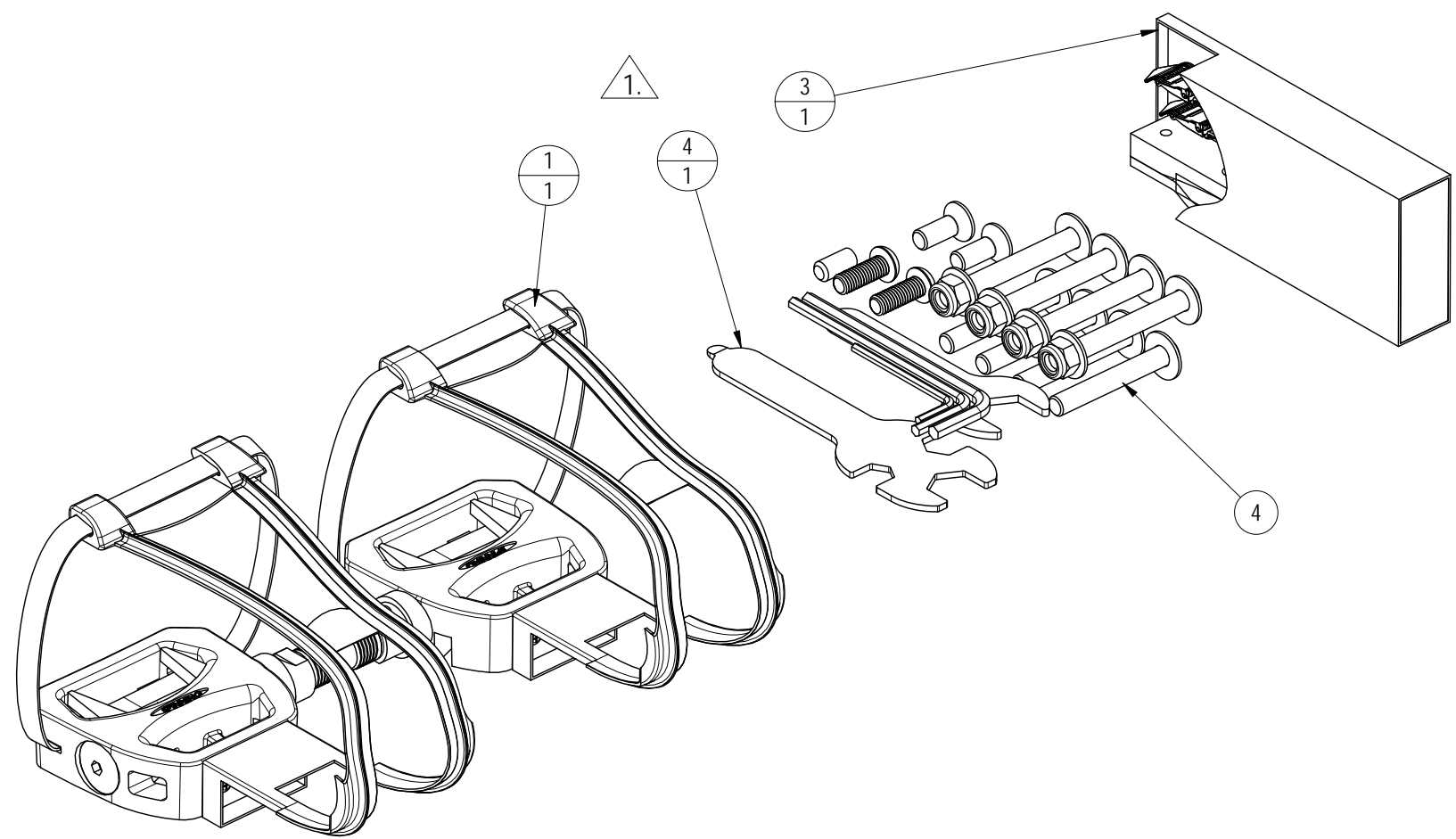
9 8 7 6 5 4 3 2 1

NOTE:
 1. ALL COMPONENT SHOULD PUT INTO ASSEMBLY BOX

REVISION HISTORY				
REV	DATE	DESCRIPTION	ECO	BY
F	04-07-10	SKIP REV A-E; ADDED BOM	13372	FJM

ASSEMBLY PARTS.

2
1



ITEM NO	PART NUMBER	DESCRIPTION	Q'TY
1	740-6898	KIT, SET, PEDAL, SPD, 7090/7080/7070	1
2	740-7315	CARTON, ASSEMBLY PARTS, SPINNER	1
3	740-7323	KIT, SPARE, BRAKE PAD	1
4	740-7459	KIT, HARDWARE, E-SPINNER	1

DOCUMENT STATUS:

NOTICE OF PROPRIETARY INFORMATION
 THIS DOCUMENT SHALL NOT BE REPRODUCED NOR
 SHALL THE INFORMATION CONTAINED HEREIN BE USED
 BY OR DISCLOSED TO OTHER EXCEPT AS EXPRESSLY
 AUTHORIZED BY UNISEN INC, D.B.A. STAR TRAC.

CLASS OF WORK	UNLESS OTHERWISE SPECIFIED DIMS ARE IN mm. TOLERANCES FOR MEASURE OF LENGTH ARE:							ANGLES = ±2°		
	0.5 to 3	> 3 to 6	> 6 to 30	> 30 to 120	> 120 to 400	> 400 to 1000	> 1000 to 2000	> 2000		
FINE	±0.05	±0.05	±0.1	±0.15	±0.2	±0.3	±0.5	----		
MEDIUM	±0.1	±0.1	±0.2	±0.3	±0.5	±0.8	±1.2	±2		
COARSE	±0.2	±0.3	±0.5	±0.8	±1.2	±2	±3	±4		
VERY COARSE	----	±0.5	±1	±1.5	±2.5	±4	±6	±8		

MATERIAL
SEE BOM

FINISH
N/A

VENDOR: P/N: N/A

THIRD ANGLE PROJECTION

UNISEN, INC. DBA

 14410 Myford Road
 Irvine CA 92606

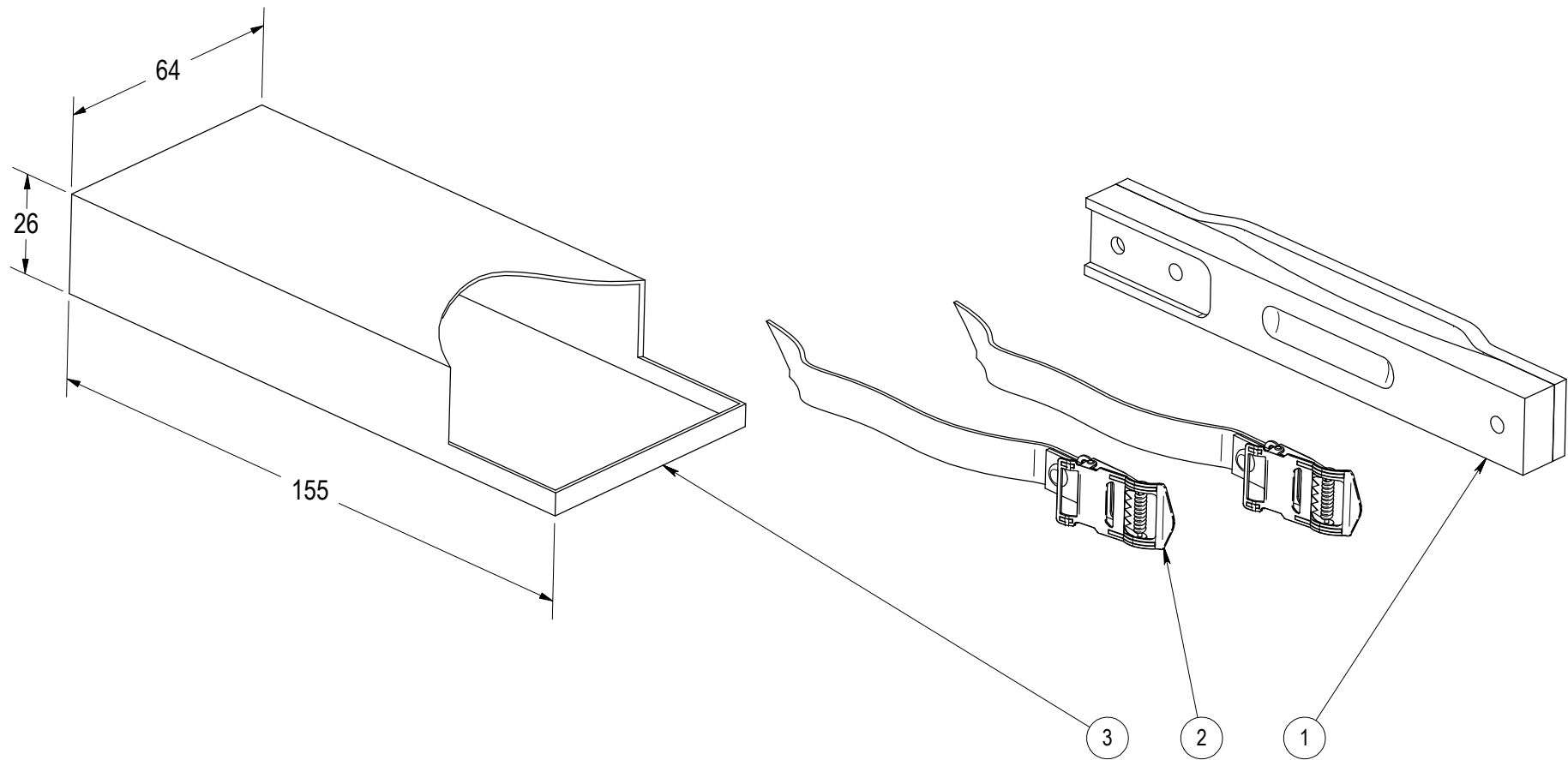
STARTRAC PART NO: **740-7783** REV: **F**

TITLE: **KIT, ASSEMBLY PARTS, E-SPINNER**

U.O.M.: MM SCALE: 1:2.5 SHEET 1 OF 1 SHEET SIZE: B

9 8 7 6 5 4 3 2 1

REVISION HISTORY				
REV	DATE	DESCRIPTION	ECO	BY
G	04-07-10	UPDATE EXPLODED VIEW, UPDATE BOM	13141	VW



ITEM NO.	PART NUMBER	DESCRIPTION	QTY.
1	740-6872	KIT, ASSY, PAD, BRAKE, SPINNER, 7090/80/70/60	1
2	740-7307	STRAP, PEDAL, PRO	2
3	740-7323-001	CARTON, SPARE KIT	1

**DOCUMENT STATUS:
RELEASE**

NOTICE OF PROPRIETARY INFORMATION

THIS DOCUMENT SHALL NOT BE REPRODUCED NOR SHALL THE INFORMATION CONTAINED HEREIN BE USED BY OR DISCLOSED TO OTHER EXCEPT AS EXPRESSLY AUTHORIZED BY UNISEN INC, D.B.A. STAR TRAC.

CLASS OF WORK	UNLESS OTHERWISE SPECIFIED DIMS ARE IN mm. TOLERANCES FOR MEASURE OF LENGTH ARE:							ANGLES = ±2°		
	0.5 to 3	> 3 to 6	> 6 to 30	> 30 to 120	> 120 to 400	> 400 to 1000	> 1000 to 2000	> 2000		
FINE	±0.05	±0.05	±0.1	±0.15	±0.2	±0.3	±0.5	----		
MEDIUM	±0.1	±0.1	±0.2	±0.3	±0.5	±0.8	±1.2	±2		
COARSE	±0.2	±0.3	±0.5	±0.8	±1.2	±2	±3	±4		
VERY COARSE	----	±0.5	±1	±1.5	±2.5	±4	±6	±8		

MATERIAL SEE BOM	
FINISH N/A	
VENDOR: N/A	
P/N: N/A	

THIRD ANGLE PROJECTION		
DRAWN	INITIAL DMM	DATE 12/10/09
CHECKED		
APPROVED		
	U.O.M.	MM

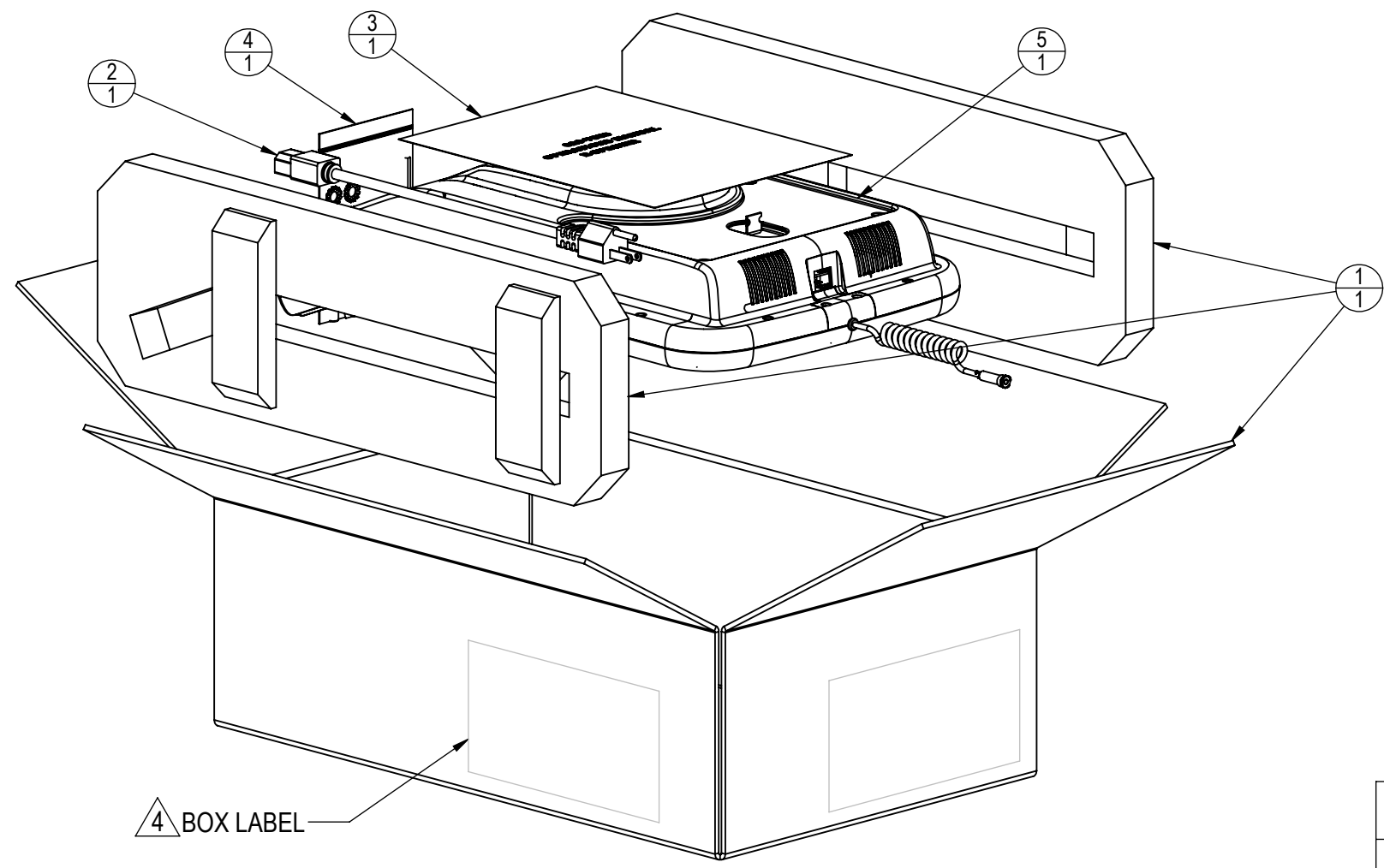
UNISEN, INC. DBA		14410 Myford Road Irvine CA 92606	
STARTRAC PART NO	740-7323	REV	G
TITLE KIT, SPARE, BRAKE PAD			
SCALE: 1:1.5	SHEET 1 OF 1	SHEET SIZE: B	

REVISION HISTORY				
REV	DATE	DESCRIPTION	ECO	BY
A		PROTOTYPE RELEASE		
B	9/12/2011	MODIFIED DRAWING NOTES & TITLE BLOCK	13569	SD

- NOTES:
- BOX SIZE:
 - WIDTH: 21.5"
 - LENGTH: 17.5"
 - HEIGHT: 8.5"
 - BOXED UNIT GROSS WEIGHT: 23LBS $\text{\textcircled{B}}$

- $\text{\textcircled{3}}$ SERIAL LABEL INFORMATION:
- SKU: 700-0126
 - SERIAL NUMBER: PER DOC 622-200-110
 - MANUFACTURING DATE: MM/DD/YY
 - CERTIFICATIONS: CE; FCC; CSA; RoHS

- $\text{\textcircled{4}}$ APPLY BOX LABEL (2x) WITH THE FOLLOWING INFORMATION:
- MODEL
 - SKU
 - SERIAL NUMBER
 - BAR CODE



ITEM NO.	PART NUMBER	DESCRIPTION	QTY.
1	050-2169	PACKAGE, E-SPINNER	1
2	220-0270	ADAPTER, CORD LINE, NEMA 5-15	1
3	620-7850	MANUAL, OPERATIONS, E-SPINNER	1
4	740-6946	KIT, HARDWARE, E-SPINNER	1
5	740-6937	ASSY, LCD DISPLAY, ATSC, E-SP	1

DOCUMENT STATUS:

NOTICE OF PROPRIETARY INFORMATION
THIS DOCUMENT SHALL NOT BE REPRODUCED NOR SHALL THE INFORMATION CONTAINED HEREIN BE USED BY OR DISCLOSED TO OTHER EXCEPT AS EXPRESSLY AUTHORIZED BY CORE INDUSTRIES, INC., D.B.A. STAR TRAC.

CLASS OF WORK	UNLESS OTHERWISE SPECIFIED DIMS ARE IN mm. TOLERANCES FOR MEASURE OF LENGTH ARE:							ANGLES = $\pm 2^\circ$
	0.5 to 3	> 3 to 6	> 6 to 30	> 30 to 120	> 120 to 400	> 400 to 1000	> 1000 to 2000	
FINE	± 0.05	± 0.05	± 0.1	± 0.15	± 0.2	± 0.3	± 0.5	----
MEDIUM X	± 0.1	± 0.1	± 0.2	± 0.3	± 0.5	± 0.8	± 1.2	± 2
COARSE	± 0.2	± 0.3	± 0.5	± 0.8	± 1.2	± 2	± 3	± 4
VERY COARSE	----	± 0.5	± 1	± 1.5	± 2.5	± 4	± 6	± 8

MATERIAL SEE BOM

FINISH N/A

VENDOR: N/A

P/N: N/A

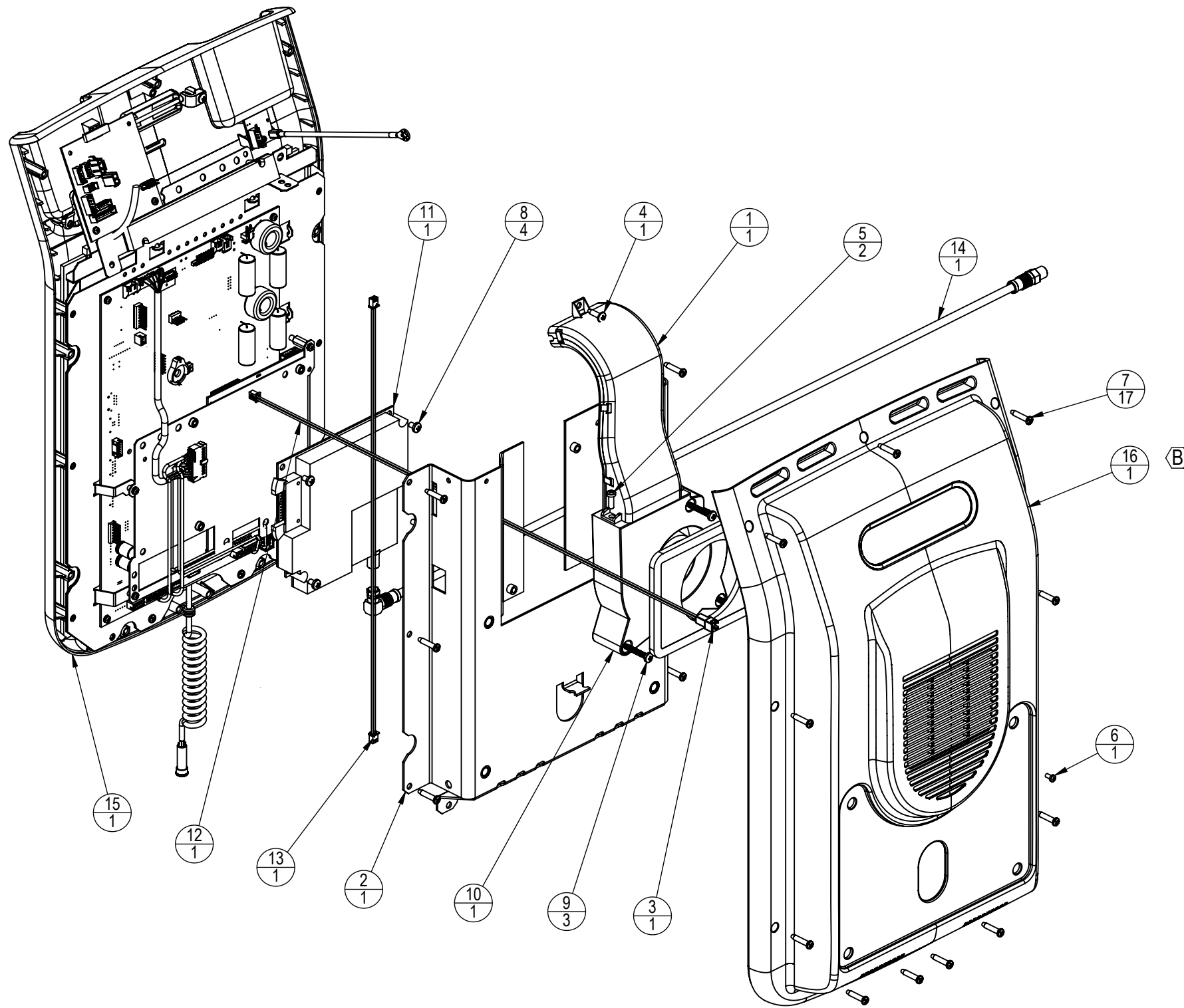
THIRD ANGLE PROJECTION		
DRAWN	INITIAL FJM	DATE 08/20/08
CHECKED		
APPROVED		

CORE INDUSTRIES, INC. DBA **STAR TRAC** 14410 Myford Road Irvine CA 92606

STARTRAC PART NO. **700-0126** REV **B**

TITLE **KIT, DISPLAY, NTSC, E-SPINNER**

SCALE: 1:5 | SHEET 1 OF 1 | SHEET SIZE: B



REVISION HISTORY				
REV	DATE	DESCRIPTION	ECO	BY
X05	9/29/2008	PROTOTYPE RELEASE	-	FJM
-		RELEASE FOR PRODUCTION	-	VW
A	8/26/2011	ADD MATERIAL BOM #18, 19 & ADD MATERIAL NOTE	13569	DS
B	3/22/2012	ADDED SUB-ASSEMBLY ITEM 740-8312	13726	DMM

ITEM NO.	PART NUMBER	DESCRIPTION	Default/QTY.
1	020-7227	ASSY, FUNNEL, AIR GUIDE, E-SPINNER	1
2	020-7301	BRACKET, BACK PLATE, E-SPINNER	1
3	020-7315	GASKET, BLOWER, eSPINNER	1
4	110-3165	SCREW, M4x0.7x14L,PHT,PH,CS,ZI	1
5	110-3168	SCREW, M4x12, PHM,PH, CS,ZI	2
6	110-3176	SCREW, M3X6,PHM,PH,CS,ZI	1
7	110-3402	SCREW, M4x0.7x19L,PHT,PH,CS,BZ	17
8	110-3407	SCREW,M4x0.7x6L,PHM,PH,BO	4
9	110-3455	SCREW, M4x25, PHM, PH, CS, ZI	3
10	718-1122	ASSY,BLOWER,12VDC	1
11	740-6955	TUNER,DTV,ATV,USA,POWERRAY	1
12	740-6964	eSPINNER RPM CABLE	1
13	740-6971	CABLE, POWER, E-SPINNER DISP	1
14	740-6976	CABLE, TV COAX 1, E-SPINNER	1
15	740-6982	ASSY, LCD DISPLAY, E-SPIN	1
16	740-8312	ASSY, BACK COVER, E-SPINNER	1

NOTES:
 1. CORDS MUST EXTEND A MINIMUM OF 24" FROM BOTTOM OF DISPLAY.

DOCUMENT STATUS:

CLASS OF WORK	UNLESS OTHERWISE SPECIFIED DIMS ARE IN mm. TOLERANCES FOR MEASURE OF LENGTH ARE:							ANGLES = ±2°	MATERIAL SEE BOM
	0.5 to 3	>3 to 6	>6 to 30	>30 to 120	>120 to 400	>400 to 1000	>1000 to 2000		
FINE	±0.05	±0.05	±0.1	±0.15	±0.2	±0.3	±0.5	----	FINISH N/A
MEDIUM X	±0.1	±0.1	±0.2	±0.3	±0.5	±0.8	±1.2	±2	
COARSE	±0.2	±0.3	±0.5	±0.8	±1.2	±2	±3	±4	
VERY COARSE	----	±0.5	±1	±1.5	±2.5	±4	±6	±8	

MATERIAL SEE BOM
 FINISH N/A
 VENDOR: N/A P/N: N/A

THIRD ANGLE PROJECTION		
DRAWN	INITIAL FJM	DATE 08/20/08
CHECKED		
APPROVED		

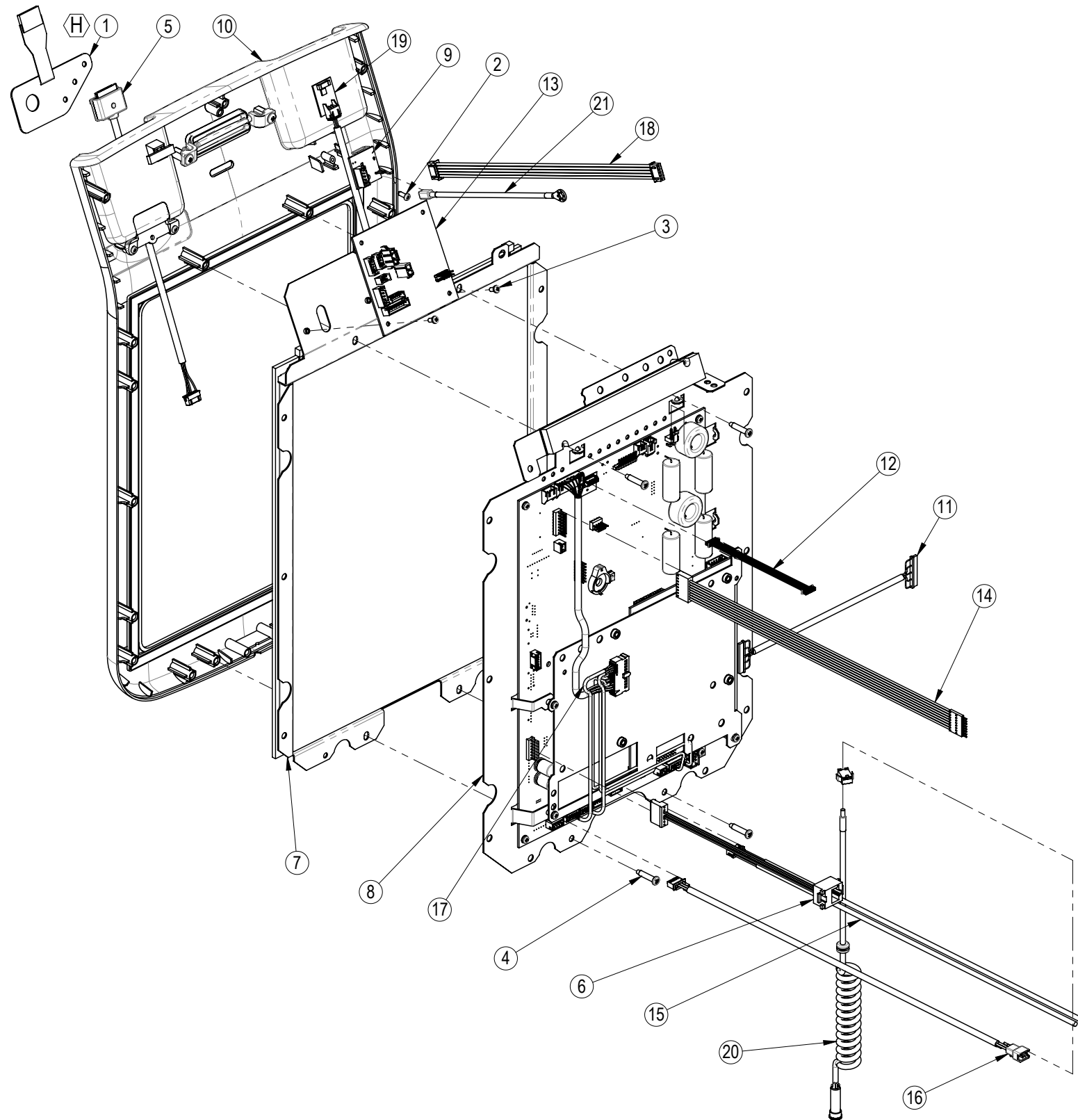
CORE INDUSTRIES, INC. DBA **STAR TRAC** 14410 Myford Road Irvine CA 92606

STARTRAC PART NO **740-6937** REV **B**

TITLE **ASSY, LCD DISPLAY, ATSC, E-SP**

SCALE: 1:4 SHEET 1 OF 1 SHEET SIZE: B

NOTICE OF PROPRIETARY INFORMATION
 THIS DOCUMENT SHALL NOT BE REPRODUCED NOR SHALL THE INFORMATION CONTAINED HEREIN BE USED BY OR DISCLOSED TO OTHER EXCEPT AS EXPRESSLY AUTHORIZED BY CORE INDUSTRIES, INC., D.B.A. STAR TRAC.



REVISION HISTORY				
REV	DATE	DESCRIPTION	ECO	BY
X05	9/29/2008	PROTOTYPE RELEASE	-	FJM
F		RELEASE FOR PRODUCTION	-	VW
G	8/26/2011	REMOVE P/N: 740-6964 & 740-6971 FROM BOM	13569	SD
H	3/21/2012	ADDED ITEM 050-2171	13726	DMM

ITEM NO.	PART NUMBER	DESCRIPTION	Default/QTY.
1	050-2171	KEYPAD, FAN CONTROL eSPINNER	1
2	110-3163	SCREW, M3x0.5x8L,PHT,PH,CS,ZI	1
3	110-3176	SCREW, M3X6,PHM,PH,CS,ZI	2
4	110-3402	SCREW, M4x0.7x19L,PHT,PH,CS,BZ	4
5	715-3774	HARNESS, IPOD INTERFACE	1
6	721-0033	ASSY., CONN., FITLINNX/CARDIO	1
7	740-6938	ASSY, LCD & TOUCH SCREEN, E-SP	1
8	740-6939	ASSY, PCB MOUNTED, E-SPINNER	1
9	740-6942	ASSY, USB BOARD, E-SPINNER	1
10	740-6945	ASSY, UPPER DISPLAY, E-SPINNER	1
11	740-6960	CABLE, LVDS, 20 PIN CONN	1
12	740-6962	CABLE, CCFL DRIVER	1
13	740-6965	ASSY, CCB, E-SPINNER	1
14	740-6966	CABLE, FAN KEYPAD CONTROL	1
15	740-6967	CABLE, AV CCB, J10	1
16	740-6972	CABLE, HEADPHONE, INTERNAL	1
17	740-6973	CABLE, MAIN BOARD TO TV TUNER	1
18	740-6975	CABLE, USB LINK	1
19	740-7008	ASSY, WIRELESS HR, FULL RANGE	1
20	740-7523	CABLE, EXTENSION, HEADPHONE, E-SPINNER	1
21	740-6974	CABLE, USB GROUND	1

DOCUMENT STATUS:

NOTICE OF PROPRIETARY INFORMATION
 THIS DOCUMENT SHALL NOT BE REPRODUCED NOR SHALL THE INFORMATION CONTAINED HEREIN BE USED BY OR DISCLOSED TO OTHER EXCEPT AS EXPRESSLY AUTHORIZED BY CORE INDUSTRIES, INC., D.B.A. STAR TRAC.

CLASS OF WORK	UNLESS OTHERWISE SPECIFIED DIMS ARE IN mm. TOLERANCES FOR MEASURE OF LENGTH ARE:							ANGLES = ±2°
	0.5 to 3	>3 to 6	>6 to 30	>30 to 120	>120 to 400	>400 to 1000	>1000 to 2000	
FINE	±0.05	±0.05	±0.1	±0.15	±0.2	±0.3	±0.5	----
MEDIUM X	±0.1	±0.1	±0.2	±0.3	±0.5	±0.8	±1.2	±2
COARSE	±0.2	±0.3	±0.5	±0.8	±1.2	±2	±3	±4
VERY COARSE	----	±0.5	±1	±1.5	±2.5	±4	±6	±8

MATERIAL
SEE BOM

FINISH
N/A

VENDOR: N/A

P/N: N/A

THIRD ANGLE PROJECTION



DRAWN	INITIAL FJM	DATE 08-20-08
CHECKED		
APPROVED		

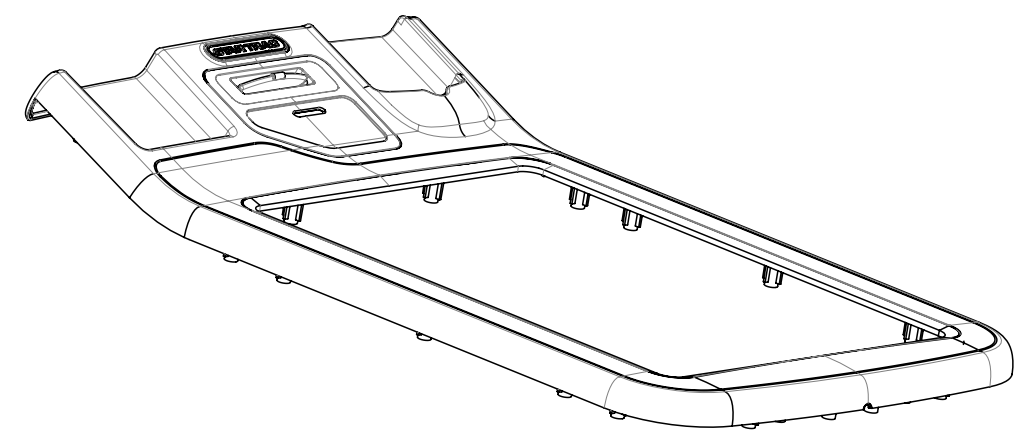
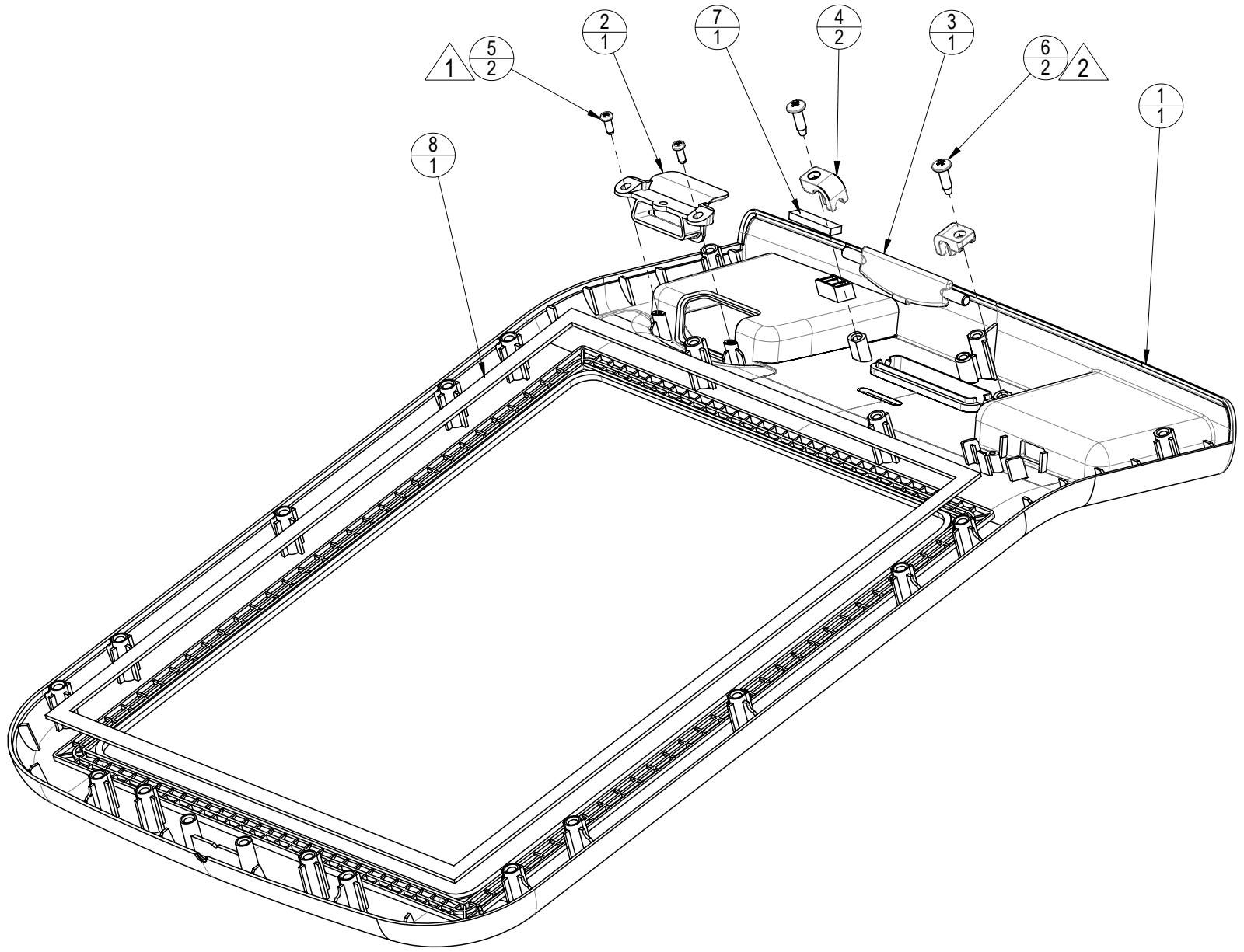
CORE INDUSTRIES, INC. DBA STAR TRAC 14410 Myford Road Irvine CA 92606		
STARTRAC PART NO. 740-6982	REV H	
TITLE ASSY, LCD DISPLAY, E-SPIN		
SCALE: 1:4	SHEET 1 OF 1	SHEET SIZE: B

9 8 7 6 5 4 3 2 1

REVISION HISTORY				
REV	DATE	DESCRIPTION	ECO	BY
X03	9/27/2008	REMOVED GASKET SEAL	-	FJM
X04	12-04-08	UPDATE T MATCH MANUFACTURER PROCESS	-	FJM
A	09/12/11	MODIFIED DRAWING NOTE #1	13569	SD
B	3/20/2012	REMOVED ITEMS 050-2114 AND 050-2171	13726	DMM

J
I
H
G
F
E
D
C
B
A

J
I
H
G
F
E
D
C
B
A



- NOTES:
- 1. TORQUE TO 6-8 LBS-IN (0.7 TO 0.9 N-m)
 - 2. TORQUE TO 8-12 LBS-IN (0.9 TO 1.4 N-m)

DOCUMENT STATUS:

CLASS OF WORK	UNLESS OTHERWISE SPECIFIED DIMS ARE IN mm. TOLERANCES FOR MEASURE OF LENGTH ARE:							ANGLES = ±2°
	0.5 to 3	>3 to 6	>6 to 30	>30 to 120	>120 to 400	>400 to 1000	>1000 to 2000	
FINE	±0.05	±0.05	±0.1	±0.15	±0.2	±0.3	±0.5	----
MEDIUM X	±0.1	±0.1	±0.2	±0.3	±0.5	±0.8	±1.2	±2
COARSE	±0.2	±0.3	±0.5	±0.8	±1.2	±2	±3	±4
VERY COARSE	----	±0.5	±1	±1.5	±2.5	±4	±6	±8

MATERIAL
SEE BOM

FINISH
N/A

VENDOR: N/A

P/N: N/A

ITEM NO.	PART NO.	DESCRIPTION	Default/QTY.
1	020-7304	DISPLAY, E-SPINNER, TOP	1
2	020-7308	COVER, IPOD CONN, E-SPINNER	1
3	020-7309	FAN VENT LOUVER - eSpinner	1
4	020-7310	LOUVER, RETAINER, eSPINNER	2
5	110-3163	SCREW, M3x0.5x8L,PHT,PH,CS,ZI	2
6	110-3165	SCREW, M4x0.7x14L,PHT,PH,CS,ZI	2
7	140-3406	FOAM, SINGLE SIDED ADHESIVE, .125"X.25"	1
8	740-6959	GASKET, SINGLE SIDED ADHESIVE, S-SP	1

THIRD ANGLE PROJECTION

DRAWN: _____ INITIAL: _____ DATE: _____

CHECKED: _____

APPROVED: _____

U.O.M. MM

CORE INDUSTRIES, INC. DBA **STARTRAC** 14410 Myford Road Irvine CA 92606

STARTRAC PART NO. **740-6945** REV **B**

TITLE **ASSY, UPPER DISPLAY, E-SPINNER**

SCALE: 1:2.5 | SHEET 1 OF 1 | SHEET SIZE: B

NOTICE OF PROPRIETARY INFORMATION
THIS DOCUMENT SHALL NOT BE REPRODUCED NOR SHALL THE INFORMATION CONTAINED HEREIN BE USED BY OR DISCLOSED TO OTHER EXCEPT AS EXPRESSLY AUTHORIZED BY CORE INDUSTRIES, INC., D.B.A. STAR TRAC.

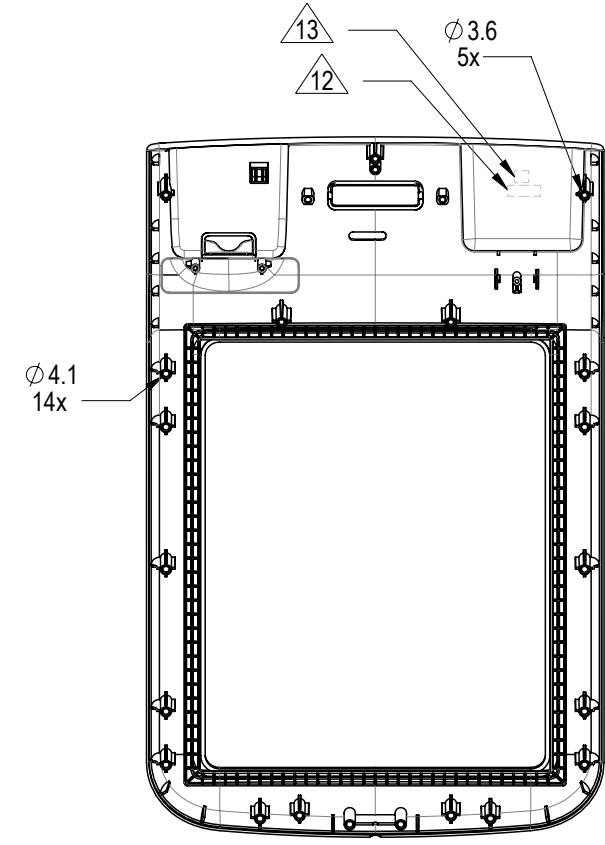
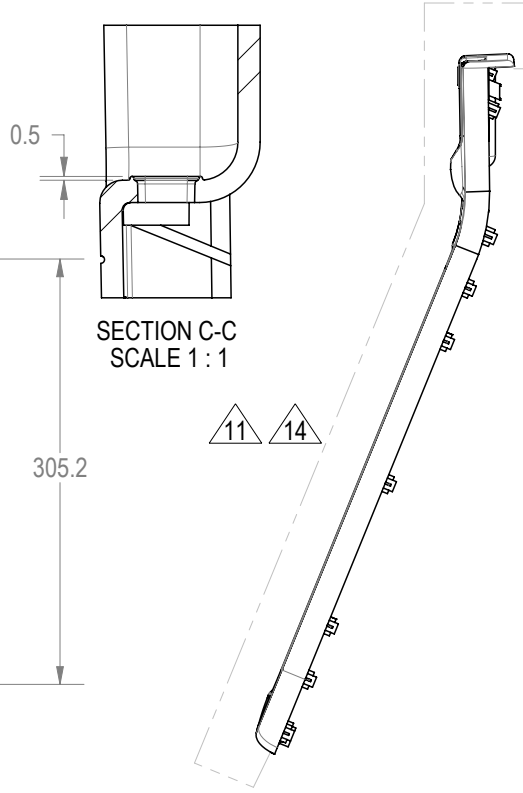
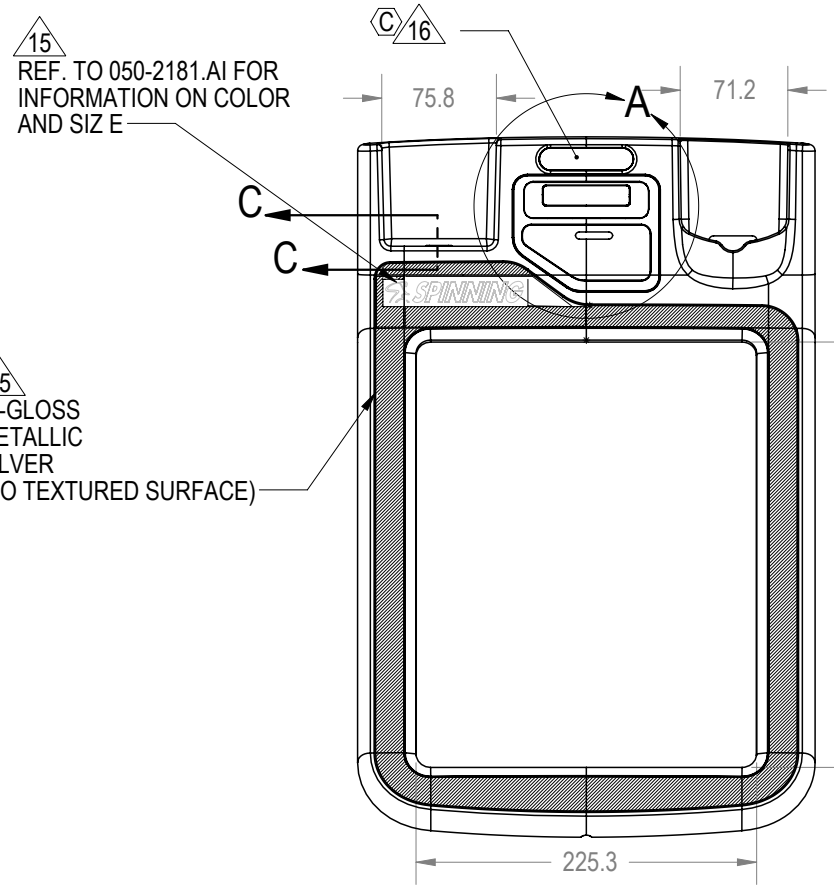
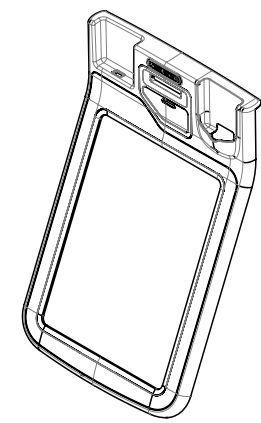
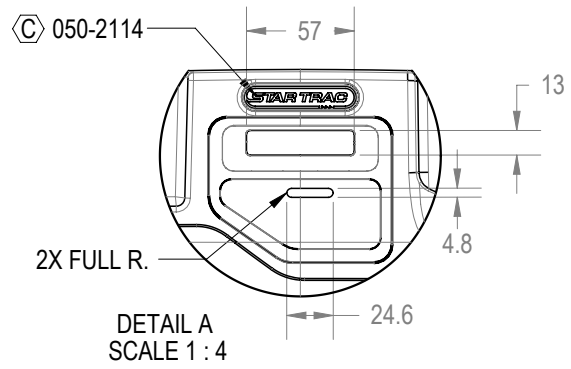
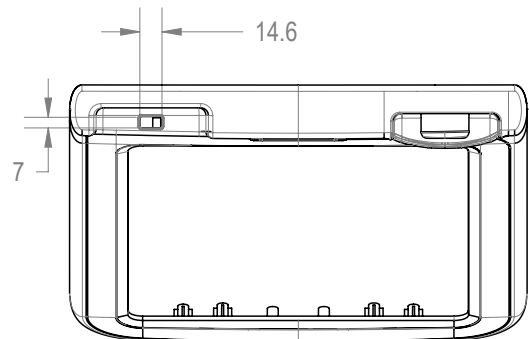
9 8 7 6 5 4 3 2 1

NOTES: UNLESS OTHERWISE SPECIFIED

1. MATERIAL:
 - a) FLAME RETARDANT ABS (Acrylonitrile-Butadiene-Styrene) OR ENGINEERING APPROVED EQUIVALENT. FLAME CLASS RATING UL94 V1, OR BETTER.
 - b) CUSTOM DARK GREY COLOR. MATCH MCI#8P117-C SAMPLE PROVIDED BY STARTRAC.
2. PART SHALL BE FABRICATED BY INJECTION MOLDING.
3. DRAWING IS FOR REFERENCE ONLY. PLEASE REFER TO DATABASE 020-7304.IGES FOR ACTUAL GEOMETRY (SAME REV. AS DRAWING).
4. DIMENSION LINES DRAWN TO RADII OR FILLETS DENOTE THEORETICAL INTERSECTION OF THE CORRESPONDING LINES.
5. PART TO BE FREE OF OIL AND MOLD RELEASE RESIDUE.
6. EJECTOR PIN MARKS TO BE FLUSH WITH SURFACE TO .010" BELOW SURFACE
7. TYPICAL WALL THICKNESS: .125".
8. RIB THICKNESS: .040" -DRAFT.
9. TYPICAL INTERNAL FILLET RADIUS: N/A
10. TYPICAL DRAFT ANGLE TO BE 0.5°/SIDE.(NON-TEXTURED SURFACE).

11. NOTED SURFACES TO BE TEXTURED TO MATCH MOLD TECH MT - 11020, OR ENGINEERING APPROVED EQUIVALENT.
12. PART NUMBER AND CURRENT REVISION TO BE ETCHED INTO TOOL @ LOCATION SHOWN - 14PT LETTERING (.20" TALL).
13. RECYCLING SYMBOL MUST BE MOLDED INTO THE PLASTIC APPROXIMATELY WERE SHOWN, SYMBOL SHOULD BE .75" TALL, SYMBOL MUST BE CLEAR AND VISIBLE.
14. NOTED SURFACES TO BE FREE FROM BLEMISHES, GATE AND SINK MARKS, KNIT LINES, AND EJECTOR PIN MARKS.
15. TOP EXPOSED SURFACE TO BE PAINTED AND FINISHED ACCORDING TO THE FOLLOWING SPECIFICATION:
 - a. ALL OTHER EXTERNAL SURFACES TO BE MASKED PRIOR TO PAINTING.
 - b. PAINT BRIGHT SILVER METALLIC PER CARDINAL PAINT P/N 6429-E12289-P.1
 - c. SCREEN PRINT BLACK ARTWORK SHOWN ON SHEET 1. REFER TO FILE 050-2181.AI FOR ACTUAL ARTWORK (SAME REV. AS DRAWING).
 - d. GLOSS CLEAR PER CARDINAL P/N 6479-1 (OVER SCREEN PRINT. KEEP ORIGINAL MASKING CALLOUT NOTED IN 15a.)
16. CLEAN AREA WITH ISOPROPYL ALCOHOL AND LET DRY PRIOR TO AFFIXING 050-2114.

REVISION HISTORY				
REV	DATE	DESCRIPTION	ECO	BY
A		PROTOTYPE	--	VC
B	9/26/2011	REVISED DRAWING VIEW & ADDED PART NUMBER TO DWG.	13569	SD
C	3/21/2012	ADDED STAR TRAC DECAL 050-2114 AND ASSOCIATED NOTE.	13726	DMM



DOCUMENT STATUS:

NOTICE OF PROPRIETARY INFORMATION
 THIS DOCUMENT SHALL NOT BE REPRODUCED NOR SHALL THE INFORMATION CONTAINED HEREIN BE USED BY OR DISCLOSED TO OTHER EXCEPT AS EXPRESSLY AUTHORIZED BY CORE INDUSTRIES, INC., D.B.A. STAR TRAC.

CLASS OF WORK	UNLESS OTHERWISE SPECIFIED DIMS ARE IN mm. TOLERANCES FOR MEASURE OF LENGTH ARE:							ANGLES = ±2°
	0.5 to 3	>3 to 6	>6 to 30	>30 to 120	>120 to 400	>400 to 1000	>1000 to 2000	
FINE	±0.05	±0.05	±0.1	±0.15	±0.2	±0.3	±0.5	----
MEDIUM	±0.1	±0.1	±0.2	±0.3	±0.5	±0.8	±1.2	±2
COARSE	±0.2	±0.3	±0.5	±0.8	±1.2	±2	±3	±4
VERY COARSE	----	±0.5	±1	±1.5	±2.5	±4	±6	±8

MATERIAL
SEE NOTES

FINISH
SEE NOTES

VENDOR:

P/N: PLT0051Z

THIRD ANGLE PROJECTION		
DRAWN	INITIAL BG	DATE 11/06/08
CHECKED		
APPROVED		
	U.O.M.	MM

CORE INDUSTRIES, INC. DBA STAR TRAC		14410 Myford Road Irvine CA 92606	
STARTRAC PART NO	020-7304	REV	C
TITLE DISPLAY, E-SPINNER, TOP			
SCALE: 1:5	SHEET 1 OF 1	SHEET SIZE: B	