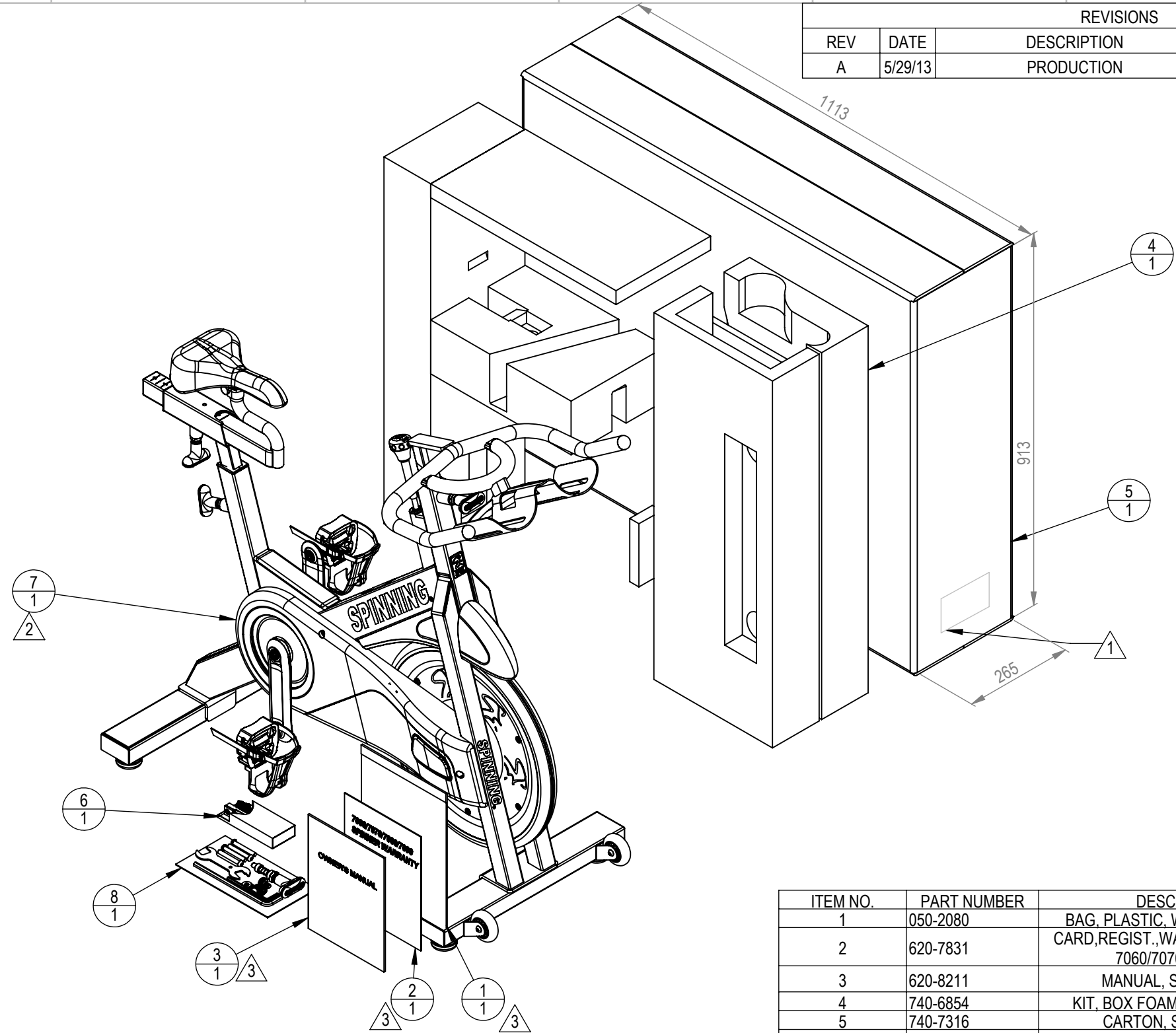


REVISIONS				
REV	DATE	DESCRIPTION	ECO	BY
A	5/29/13	PRODUCTION	14135	OT



NOTES:

- 1 LABEL INFORMATION (4LABELS):
 - a) MODEL: SPINNER PRO PLUS
 - b) SKU: 9-7160-MINTPO.
 - c) SERIAL NUMBER: Per document 050-2125.
 - d) COUNTRY OF ORIGIN TOBE PRINTED ON A PEEL LABEL.

2 SPINNER TO BE BAGGED ON A PLASTIC BAG TO PREVENT CONTACT WITH FOAM INSERTS.

3 .DOCUMENTS TO BE PLACED IN PLASTIC BAG 050-2080.

4. SPINNER TO BE PRE-PACKED WITH DESICCANT TO PREVENT HUMIDITY.

5. shipping weight 145 lbs

ITEM NO.	PART NUMBER	DESCRIPTION	QTY.
1	050-2080	BAG, PLASTIC, W/WARNING PRINT	1
2	620-7831	CARD,REGIST.,WARRANTY, SPINNER, 7060/7070/7080/7090	1
3	620-8211	MANUAL, SPINNER,7160	1
4	740-6854	KIT, BOX FOAM, PRO & ELITE SP	1
5	740-7316	CARTON, SPINNER NXT	1
6	740-7323	KIT, SPARE, BRAKE PAD	1
7	740-8497	ASSY, SPINNER, PRO PLUS	1
8	740-8506	KIT, TOOL, INSTALL, PRO +	1

DOCUMENT STATUS:

NOTICE OF PROPRIETARY INFORMATION
 THIS DOCUMENT SHALL NOT BE REPRODUCED NOR SHALL THE INFORMATION CONTAINED HEREIN BE USED BY OR DISCLOSED TO OTHER EXCEPT AS EXPRESSLY AUTHORIZED BY CORE INDUSTRIES, INC., D.B.A. STAR TRAC.

CLASS OF WORK	UNLESS OTHERWISE SPECIFIED DIMS ARE IN mm. TOLERANCES FOR MEASURE OF LENGTH ARE:							ANGLES = ±2°
	0.5 to 3	> 3 to 6	> 6 to 30	> 30 to 120	> 120 to 400	> 400 to 1000	> 1000 to 2000	
FINE	±0.05	±0.05	±0.1	±0.15	±0.2	±0.3	±0.5	----
MEDIUM X	±0.1	±0.1	±0.2	±0.3	±0.5	±0.8	±1.2	±2
COARSE	±0.2	±0.3	±0.5	±0.8	±1.2	±2	±3	±4
VERY COARSE	----	±0.5	±1	±1.5	±2.5	±4	±6	±8

MATERIAL SEE BOM

FINISH N/A

VENDOR:

P/N:

THIRD ANGLE PROJECTION		
DRAWN	INITIAL	DATE
	OT	5/1/2013
CHECKED		
APPROVED		

CORE INDUSTRIES, INC. DBA

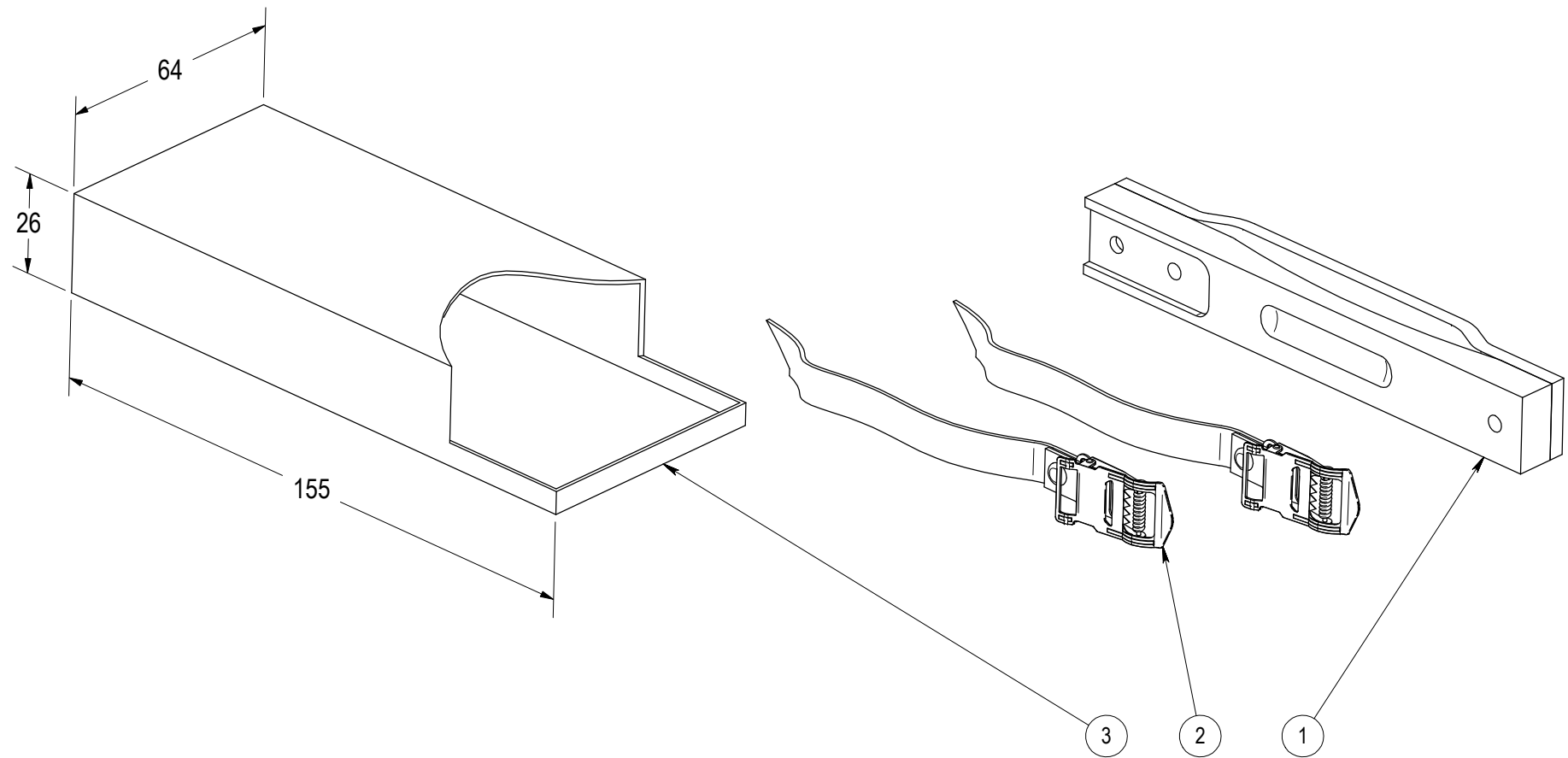
 14410 Myford Road
 Irvine CA 92606

STARTRAC PART NO: **9-7160-MINTPO** REV: **A**

TITLE: **SPINNER,PRO PLUS, 9-7160**

SCALE: 1:10 | SHEET 1 OF 1 | SHEET SIZE: B

REVISION HISTORY				
REV	DATE	DESCRIPTION	ECO	BY
G	04-07-10	UPDATE EXPLODED VIEW, UPDATE BOM	13141	VW



ITEM NO.	PART NUMBER	DESCRIPTION	QTY.
1	740-6872	KIT, ASSY, PAD, BRAKE, SPINNER, 7090/80/70/60	1
2	740-7307	STRAP, PEDAL, PRO	2
3	740-7323-001	CARTON, SPARE KIT	1

**DOCUMENT STATUS:
RELEASE**

NOTICE OF PROPRIETARY INFORMATION

THIS DOCUMENT SHALL NOT BE REPRODUCED NOR SHALL THE INFORMATION CONTAINED HEREIN BE USED BY OR DISCLOSED TO OTHER EXCEPT AS EXPRESSLY AUTHORIZED BY UNISEN INC, D.B.A. STAR TRAC.

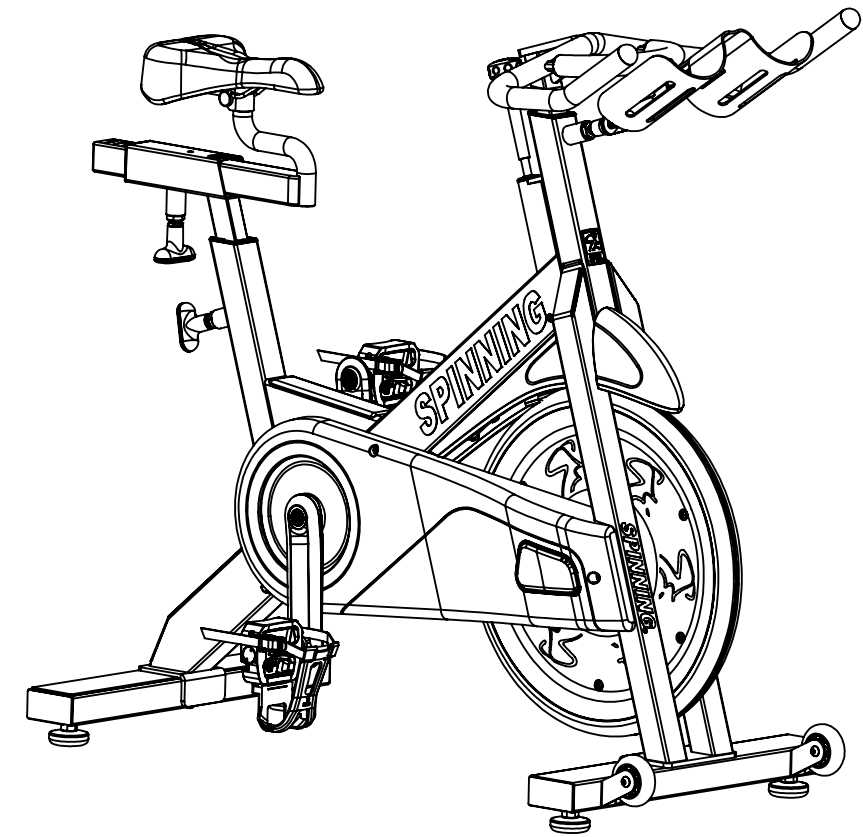
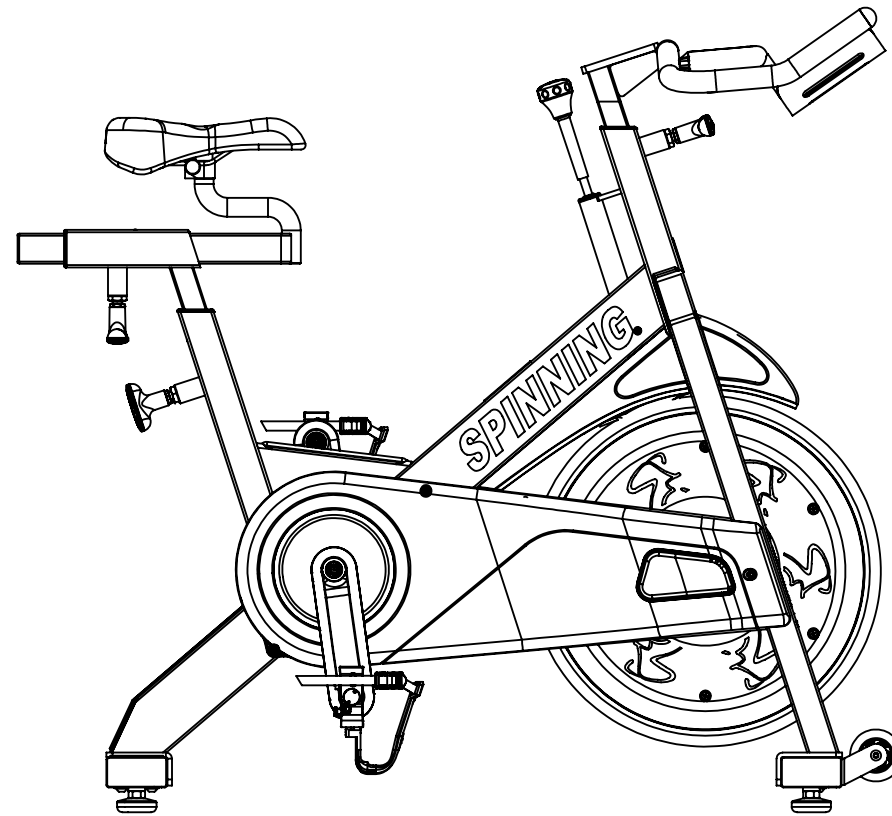
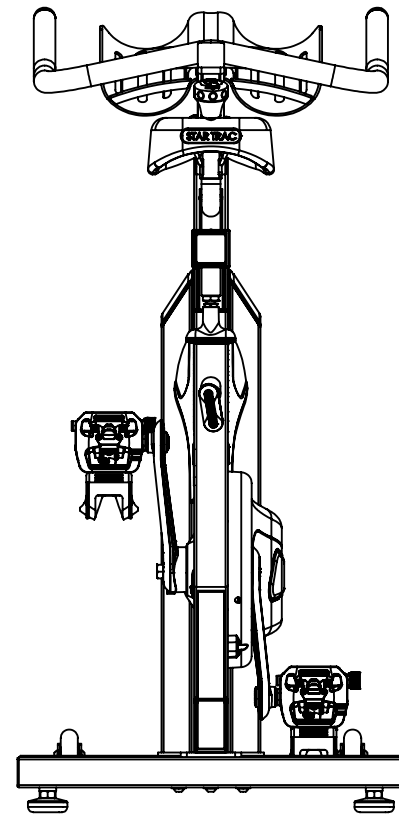
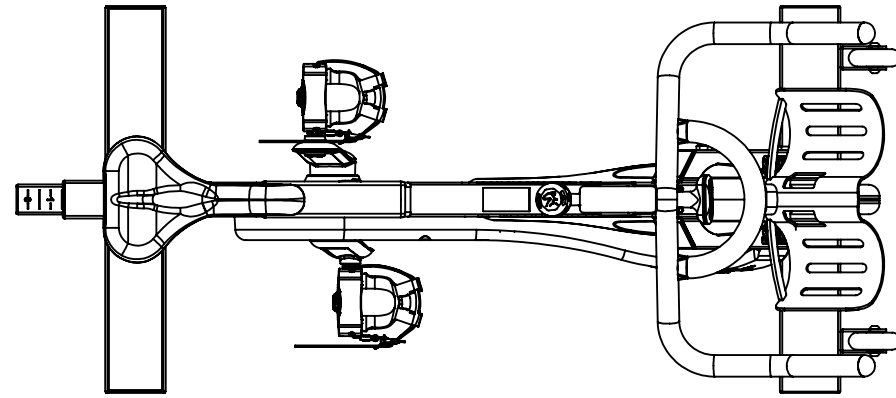
CLASS OF WORK	UNLESS OTHERWISE SPECIFIED DIMS ARE IN mm. TOLERANCES FOR MEASURE OF LENGTH ARE:							ANGLES = ±2°		
	0.5 to 3	> 3 to 6	> 6 to 30	> 30 to 120	> 120 to 400	> 400 to 1000	> 1000 to 2000	> 2000		
FINE	±0.05	±0.05	±0.1	±0.15	±0.2	±0.3	±0.5	-----		
MEDIUM	±0.1	±0.1	±0.2	±0.3	±0.5	±0.8	±1.2	±2		
COARSE	±0.2	±0.3	±0.5	±0.8	±1.2	±2	±3	±4		
VERY COARSE	-----	±0.5	±1	±1.5	±2.5	±4	±6	±8		

MATERIAL SEE BOM	
FINISH N/A	
VENDOR: N/A	
P/N: N/A	

THIRD ANGLE PROJECTION		
DRAWN	INITIAL DMM	DATE 12/10/09
CHECKED		
APPROVED		
	U.O.M.	MM

UNISEN, INC. DBA			14410 Myford Road Irvine CA 92606		
STARTRAC PART NO		740-7323		REV	
				G	
TITLE					
KIT, SPARE, BRAKE PAD					
SCALE: 1:1.5		SHEET 1 OF 1		SHEET SIZE: B	

REVISIONS				
REV	DATE	DESCRIPTION	ECO	BY
A	5/23/13	PRODUCTION	14135	OT



DOCUMENT STATUS:

NOTICE OF PROPRIETARY INFORMATION
 THIS DOCUMENT SHALL NOT BE REPRODUCED NOR SHALL THE INFORMATION CONTAINED HEREIN BE USED BY OR DISCLOSED TO OTHER EXCEPT AS EXPRESSLY AUTHORIZED BY CORE INDUSTRIES, INC., D.B.A. STAR TRAC.

CLASS OF WORK	UNLESS OTHERWISE SPECIFIED DIMS ARE IN mm. TOLERANCES FOR MEASURE OF LENGTH ARE:							ANGLES = ±2°
	0.5 to 3	> 3 to 6	> 6 to 30	> 30 to 120	> 120 to 400	> 400 to 1000	> 1000 to 2000	
FINE	±0.05	±0.05	±0.1	±0.15	±0.2	±0.3	±0.5	----
MEDIUM X	±0.1	±0.1	±0.2	±0.3	±0.5	±0.8	±1.2	±2
COARSE	±0.2	±0.3	±0.5	±0.8	±1.2	±2	±3	±4
VERY COARSE	----	±0.5	±1	±1.5	±2.5	±4	±6	±8

MATERIAL
SEE BOM

FINISH
N/A

VENDOR: N/A

P/N: N/A

THIRD ANGLE PROJECTION



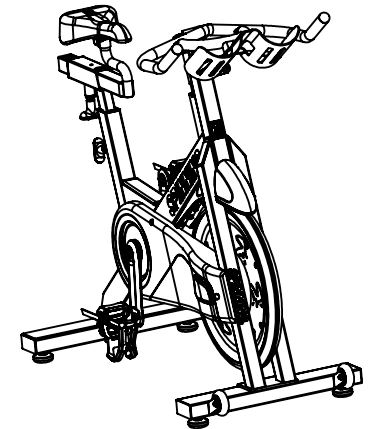
DRAWN	INITIAL OT	DATE 5/23/2013
CHECKED		
APPROVED		
	U.O.M.	MM

CORE INDUSTRIES, INC. DBA
 14410 Myford Road
 Irvine CA 92606

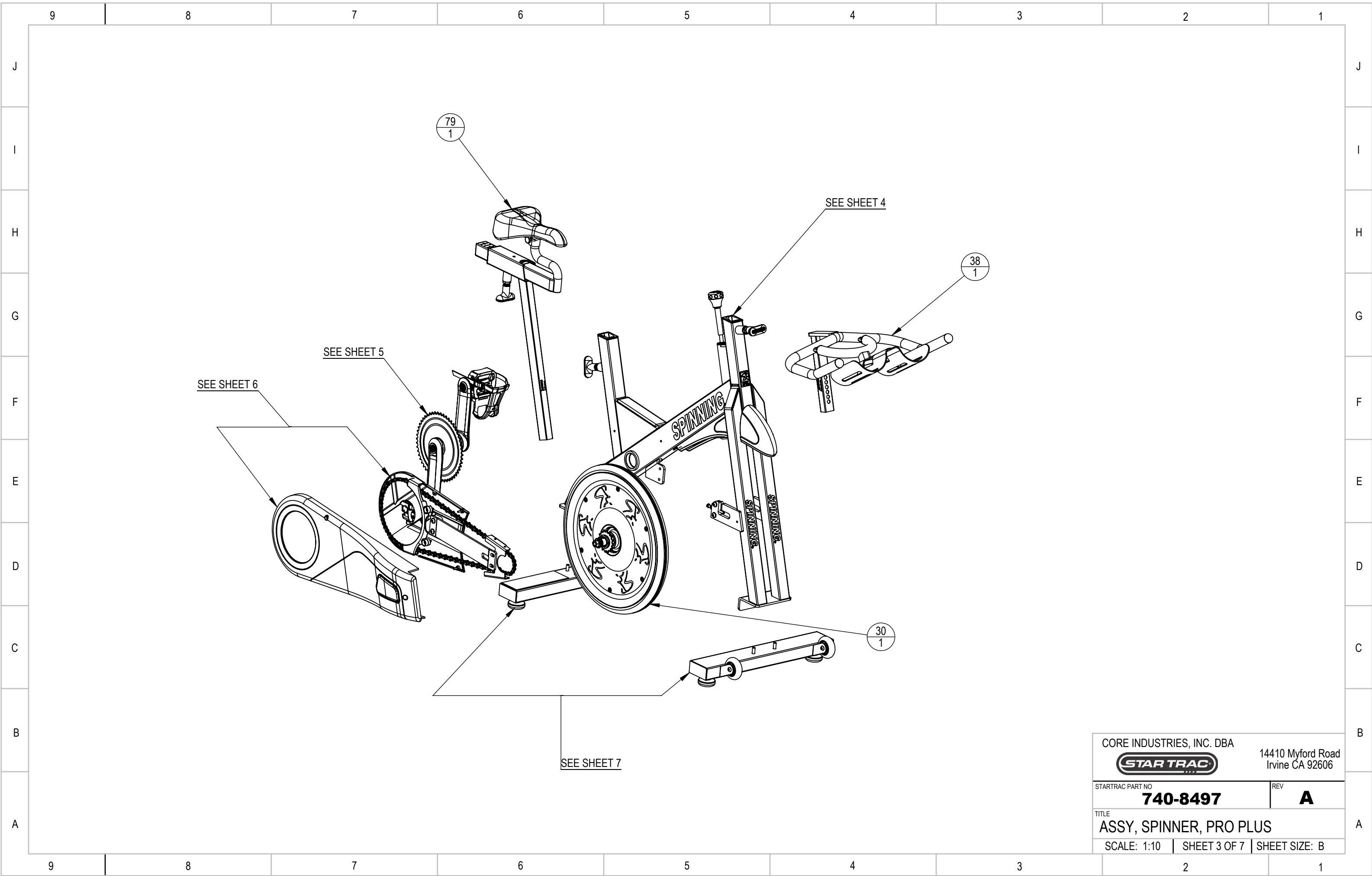
STARTRAC PART NO 740-8497	REV A
TITLE ASSY, SPINNER, PRO PLUS	
SCALE: 1:10	SHEET 1 OF 7
SHEET SIZE: B	

ITEM NO.	PART NUMBER	Description	QTY.
1	110-3506	SCREW, M8x1.25, 30mm, BHCS, HK, SS	2
2	110-3506	SCREW, M8x1.25, 30mm, BHCS, HK, SS	2
3	731-0585	WASHER, M4	5
4	740-6852	ASSY, FOOT, FRONT, ELITE/PRO, 7080/7070	1
5	740-7050	ASSY, FRONT LEG, COATING	1
6	740-7051	ASSY, FRONT LEG, WELD	1
7	740-7023	ASSY, FOOT, W/ OVER MOLD	4
8	740-7173	NUT, 1/2-13, HEX, CS, BO	2
9	740-7187	SCREW, M6X1.25X10, BHC, HE, SS	2
10	740-7097	BOLT, WHEEL, NXT	2
11	740-8006	WHEEL, FRONT FOOT, SPINNER	2
12	740-6853	ASSY, FOOT, REAR, ELITE/PRO, 7080/7070	1
13	740-7053	ASSY, BACK LEG, COATING	1
14	740-7054	REAR LEG, WELD	1
15	740-7173	NUT, 1/2-13, HEX, CS, BO	2
16	740-7893	PAD, PROTECTOR, REAR FEET	2
17	740-6899	CHAIN, 112, TAYA	1
18	740-7146	WASHER, PLAIN, M8, SS	4
19	740-7147	SCREW, M8X1.25X60, BHC, HE, SS	4
20	740-7167	WASHER, LOCK, SPLIT, M6	2
21	740-7174	NUT, M6X1, HE, SS	2
22	740-7176	SCREW, M6X1.0X50, HHM, HE, SS	1
23	740-7193	LABEL, LOGO, STAR TRAC, SPINNER	1
24	740-7409	DECAL, SPINNING, FORKS	2
25	740-7412	HEAD BADGE, SPINNER	1
26	740-7413	LOGO, SPINNING, MAIN TUBE	2
27	740-7419	STICKER, WARNING	1
28	740-7450	WASHER, FLAT, M5, SS	4
29	740-7560	CRANK ARM, LEFT	1
30	740-7577	ASSY, FLYWHEEL	1
31	740-7586	WELDMENT, CRANK ARM	1
32	740-7603	FINGERGUARD, SPROCKET, 52T	1
33	740-7604	FINGER GUARD, 16T SPROCKET	1
34	740-7613	PEDAL, MORSE, LEFT	1
35	740-7614	PEDAL, MORSE, RIGHT	1
36	740-7812	SCREW, M4x0.7, 16mm, PHMS, PH, SS	5
37	740-7825	WASHER, 8.4MM ID x 16MM OD x 1.6 THK	4
38	740-7872	ASSY, H-BAR, WELD AND DIP	1
39	740-7883	CHAINGUARD, MAIN, C-STL	1
40	740-7989	GASKET, CHAINGUARD	1
41	740-7996	SCREW, M5 X 0.8, 30mm, SHCS, SS	1
42	740-7997	SCREW, M5 x 0.8, 16mm, SHCS, SS	3

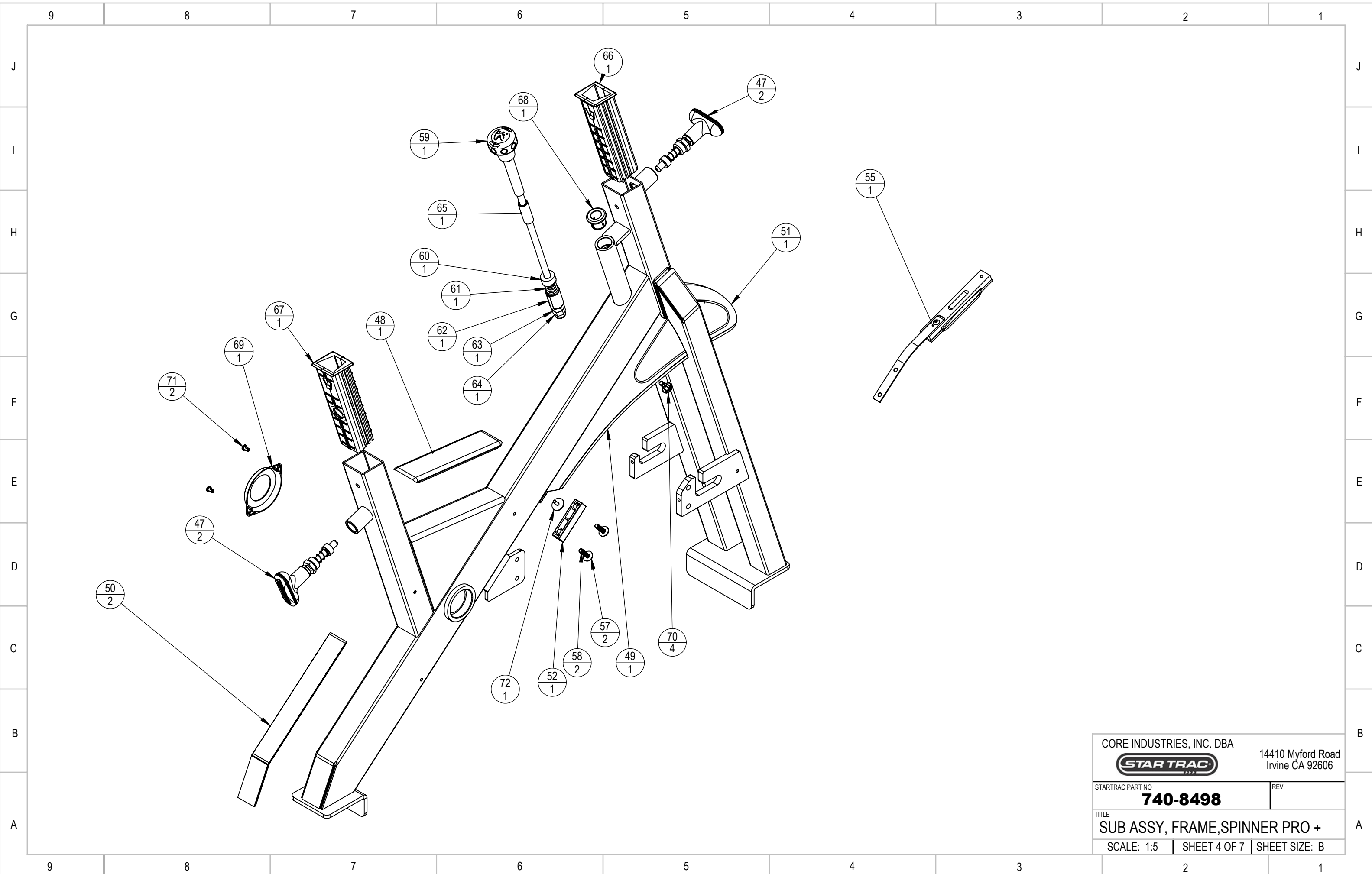
ITEM NO.	PART NUMBER	Description	QTY.
43	740-7999	SCREW, M6X1.0X50, HHM, HE, SS	1
44	740-8145	BOLT, M8, MORSE TAPER	4
45	740-8474	COVER, CHAIN, NDR, SPPRO+	1
46	740-7830	WELDMENT, FRAME, C-STL	1
47	740-7869	ASSY, POP PIN, C-STL	2
48	740-7894	COVER, GUSSET, STEPOVER	1
49	740-7133	FENDER, REAR, PRO	1
50	740-6909	PAD, STRETCH, RUBBER, 7080/7070	2
51	740-7134	FENDER, FRONT, PRO	1
52	740-7022	BLOCK, BRAKE RETAINER, SPINNER	1
53	740-7207	ASSY, SPINNER, BRAKE PAD	1
54	740-7182	SCREW, M5X0.8X10, BHC, HE, SS	1
55	740-7019	PLATE, BRAKE PAD	1
56	740-6872	KIT, ASSY, PAD, BRAKE, SPINNER, 7090/80/70/60	1
57	740-7164	WASHER, PLAIN, M6, SS	2
58	740-7175	SCREW, M6X1.0X25, HHM, HE, SS	2
59	740-7669	ASSY, KNOB, BRAKE, SPINNER	1
60	740-7598	CUSHION, BRAKE ASSY	1
61	740-7124	SPRING, BRAKE KNOB	1
62	740-7573	BUSHING, THREADED, BRAKE	1
63	740-7178	NUT, M10X1.5, HE, SS	1
64	740-7189	NUT, M10X1.5, ACORN, SS	1
65	740-7888	SLEEVE, BRAKE ROD, SP PRO+	1
66	740-7877	ASSY, SLEEVE, H-POST	1
67	740-7880	ASm, SLEEVE, SEATPOST, SPPRO+	1
68	740-8503	BUSHING, GUIDE, BRAKE ROD, SP PRO +	1
69	740-8504	COVER, BB, SP PRO +	1
70	740-6902	KIT, RIVET PUSH-PIN	4
71	740-7145	RIVET, PLASTIC SNAP	2
72	740-7886	WASHER, M5, NARROW	1
73	110-3572	SCREW, 4.2X16MM ST	1
74	740-8499	ASSY, SEAT/SEATPOST/SLIDER, SPINNER PRO PLUS	1
75	740-8481	WELDMENT, SEAT POST, C-STL	1
76	740-7869	ASSY, POP PIN, C-STL	1
77	740-7126	SLEEVE-50MM, SEAT POST, PRO	1
78	740-7874	WELD, SLIDER, SEAT, C-STL	1
79	727-0060	SEAT, VELO, SPINNER PRO	1
80	740-8500	BAR, CROSS, SPINNER PRO PLUS	1
81	740-7555	NUT, AXLE, B/B	1
82	740-8002	SPACER, BEARING, BB SPINNER	1
83	740-7553	BEARING, 6005 SERIES, 2RS	2
84	740-7554	B/B AXLE, MORSE TAPER	1
85	740-7916	M5 X 16MM, DOWEL PIN	2



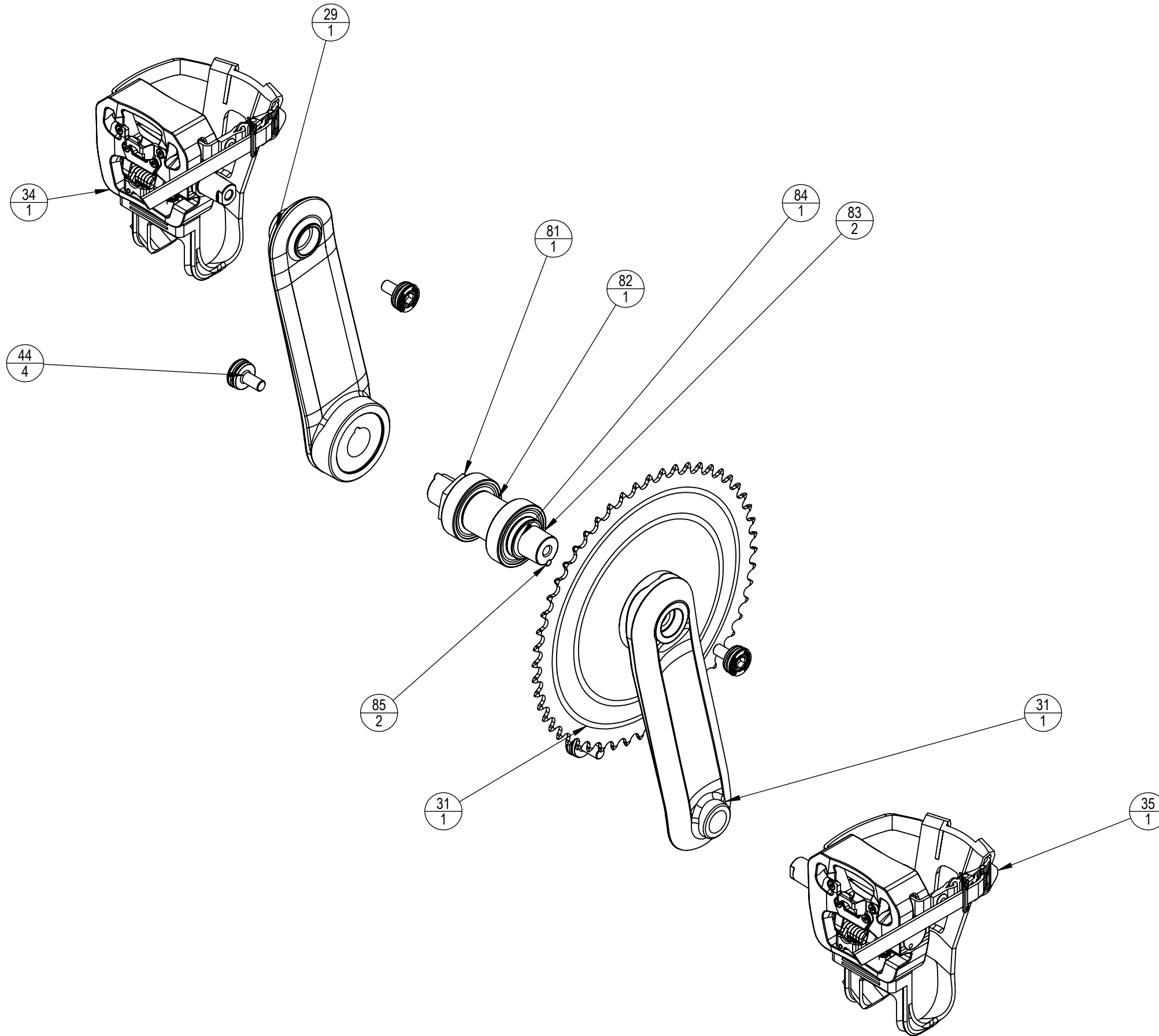
CORE INDUSTRIES, INC. DBA		14410 Myford Road Irvine CA 92606
STAR TRAC		
STARTRAC PART NO	740-8497	REV A
TITLE ASSY, SPINNER, PRO PLUS		
SCALE: 1:20	SHEET 2 OF 7	SHEET SIZE: B



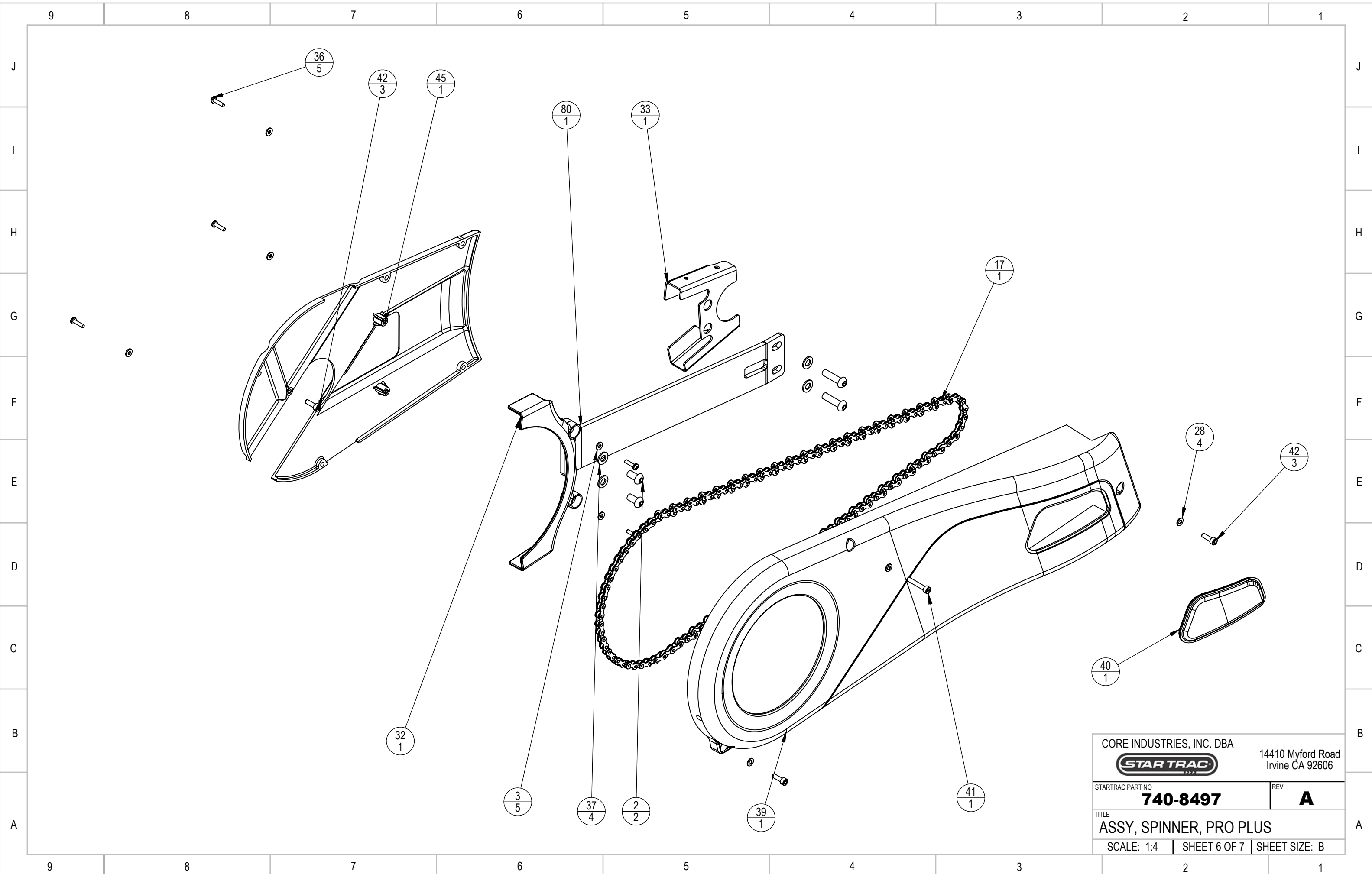
CORE INDUSTRIES, INC. DBA		14410 Myford Road
STAR TRAC		Irvine CA 92606
STARTRAC PART NO	740-8497	REV A
TITLE ASSY, SPINNER, PRO PLUS		
SCALE: 1:10	SHEET 3 OF 7	SHEET SIZE: B



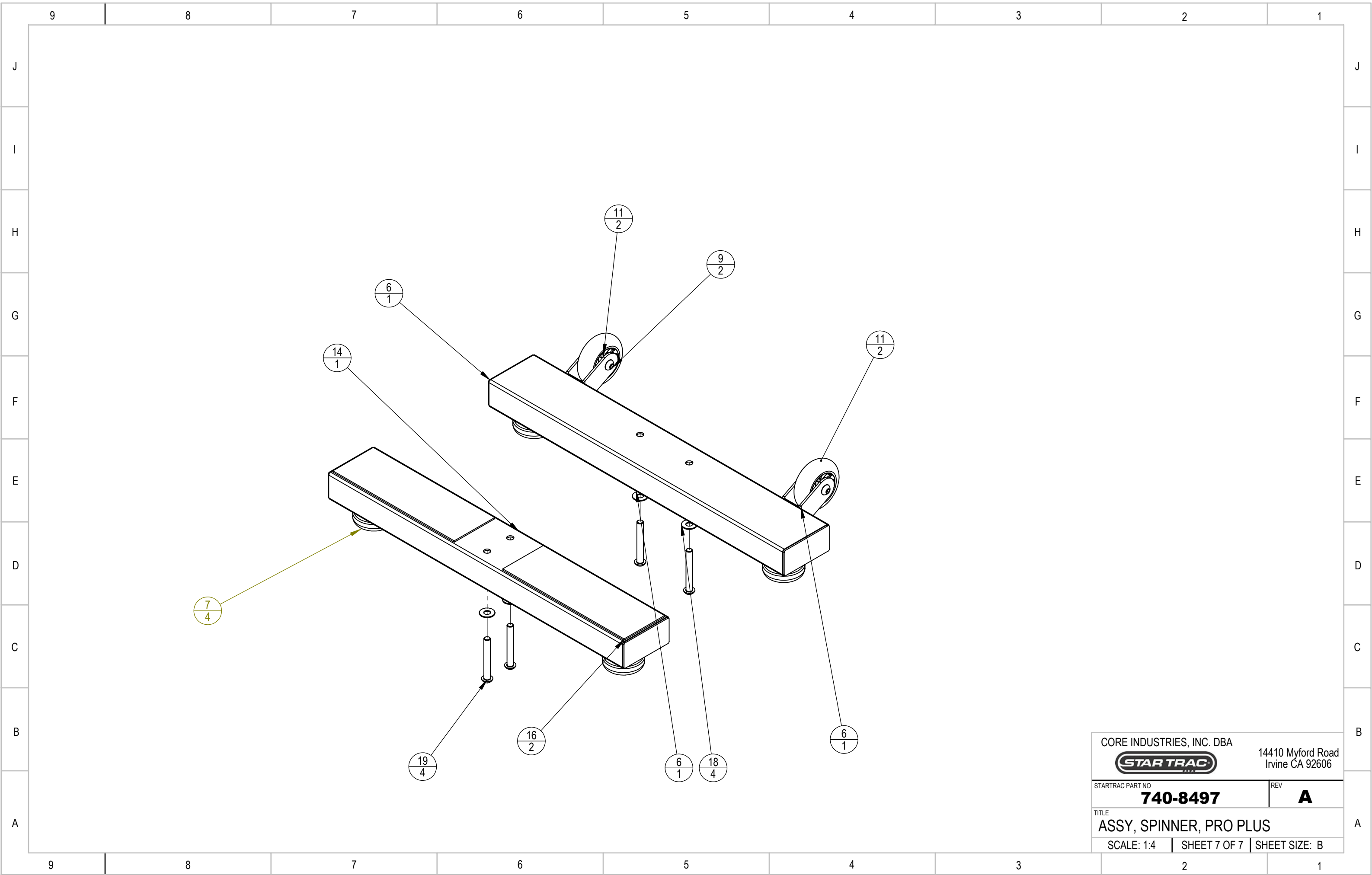
CORE INDUSTRIES, INC. DBA		14410 Myford Road
STAR TRAC		Irvine CA 92606
STARTRAC PART NO	REV	
740-8498		
TITLE		
SUB ASSY, FRAME, SPINNER PRO +		
SCALE: 1:5	SHEET 4 OF 7	SHEET SIZE: B



CORE INDUSTRIES, INC. DBA		14410 Myford Road
		Irvine CA 92606
STARTRAC PART NO	740-8497	REV A
TITLE ASSY, SPINNER, PRO PLUS		
SCALE: 1:3	SHEET 5 OF 7	SHEET SIZE: B

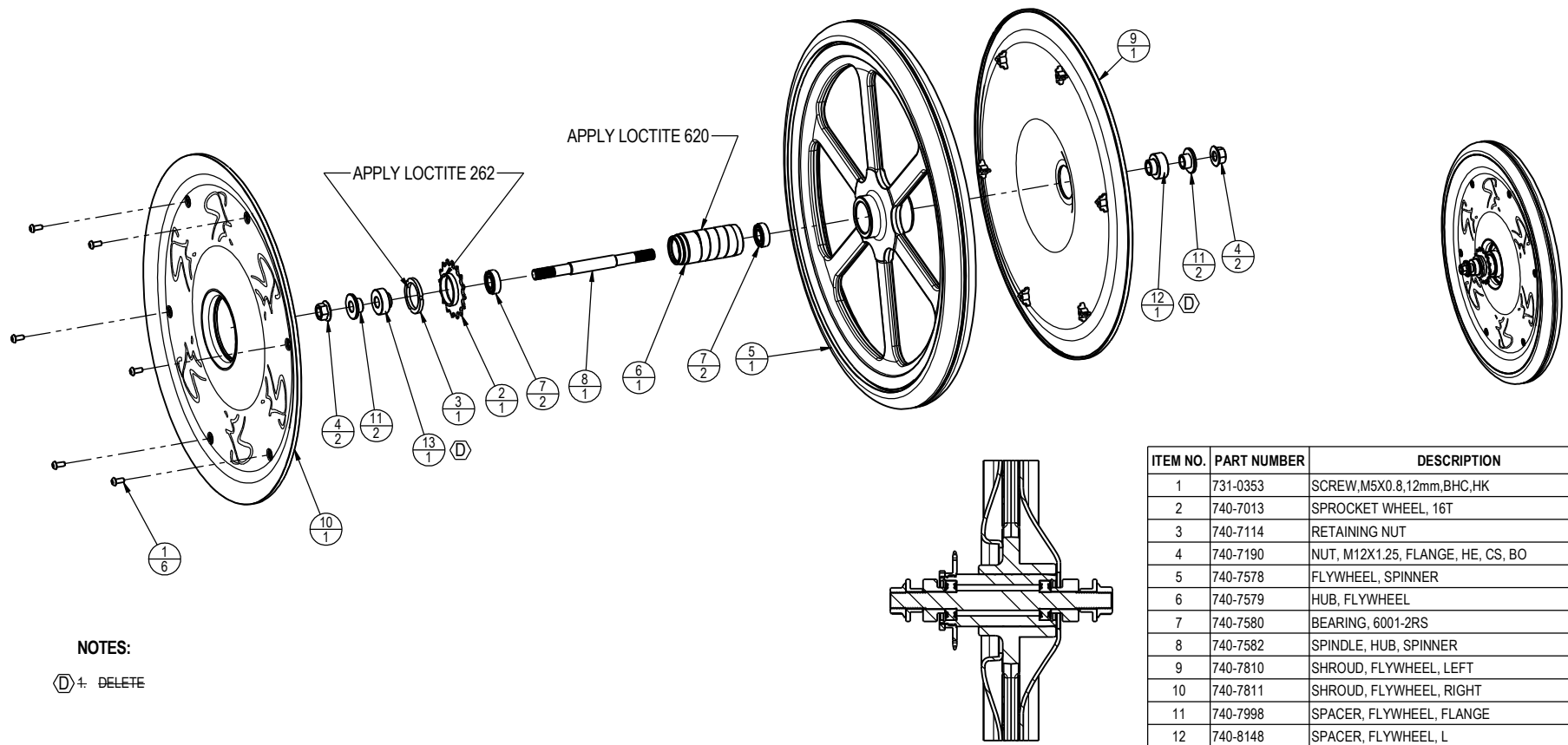


CORE INDUSTRIES, INC. DBA		14410 Myford Road
STARTRAC		Irvine CA 92606
STARTRAC PART NO	740-8497	REV A
TITLE ASSY, SPINNER, PRO PLUS		
SCALE: 1:4	SHEET 6 OF 7	SHEET SIZE: B



CORE INDUSTRIES, INC. DBA		14410 Myford Road
STAR TRAC		Irvine CA 92606
STARTRAC PART NO	740-8497	REV A
TITLE ASSY, SPINNER, PRO PLUS		
SCALE: 1:4	SHEET 7 OF 7	SHEET SIZE: B

REVISION HISTORY				
REV	DATE	DESCRIPTION	ECO	BY
A	3/7/2011	PRODUCTION RELEASE	13486	DMM
B	6/28/2011	REMOVED (2X) 740-7585 AND (2X) 740-7581; ADDED 740-8148 AND 740-8149	13192	DMM
C	7/27/2011	ITEM 740-7190 WAS 740-7584	13555	DMM
D	6/20/2012	UPDATE ASSY TO SHOW UPDATED P/N 740-8148 AND 740-7149; REMOVE NOTE 1	13783	SV



ITEM NO.	PART NUMBER	DESCRIPTION	QTY
1	731-0353	SCREW,M5X0.8,12mm,BHC,HK	6
2	740-7013	SPROCKET WHEEL, 16T	1
3	740-7114	RETAINING NUT	1
4	740-7190	NUT, M12X1.25, FLANGE, HE, CS, BO	2
5	740-7578	FLYWHEEL, SPINNER	1
6	740-7579	HUB, FLYWHEEL	1
7	740-7580	BEARING, 6001-2RS	2
8	740-7582	SPINDLE, HUB, SPINNER	1
9	740-7810	SHROUD, FLYWHEEL, LEFT	1
10	740-7811	SHROUD, FLYWHEEL, RIGHT	1
11	740-7998	SPACER, FLYWHEEL, FLANGE	2
12	740-8148	SPACER, FLYWHEEL, L	1
13	740-8149	SPACER, FLYWHEEL, R	1

NOTES:

ⓓ = DELETE

DOCUMENT STATUS:

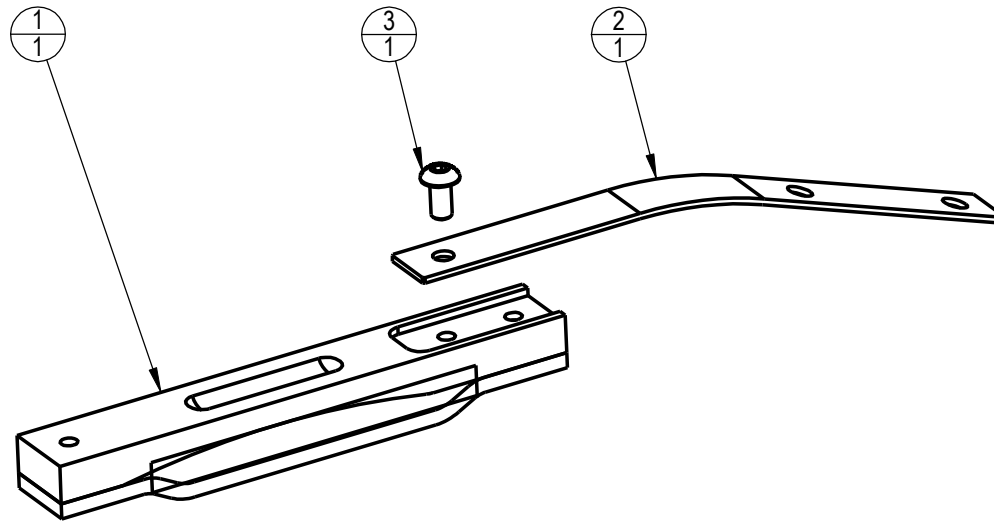
NOTICE OF PROPRIETARY INFORMATION
THIS DOCUMENT SHALL NOT BE REPRODUCED NOR SHALL THE INFORMATION CONTAINED HEREIN BE USED BY OR DISCLOSED TO OTHER EXCEPT AS EXPRESSLY AUTHORIZED BY CORE INDUSTRIES, INC., D.B.A. STAR TRAC.

CLASS OF WORK	UNLESS OTHERWISE SPECIFIED DIMS ARE IN mm. TOLERANCES FOR MEASURE OF LENGTH ARE:							ANGLES = ±2°		
	0.5 to 3	>3 to 6	>6 to 30	>30 to 120	>120 to 400	>400 to 1000	>1000 to 2000	>2000		
FINE	±0.05	±0.05	±0.1	±0.15	±0.2	±0.3	±0.5	----		
MEDIUM	±0.1	±0.1	±0.2	±0.3	±0.5	±0.8	±1.2	±2		
COARSE	±0.2	±0.3	±0.5	±0.8	±1.2	±2	±3	±4		
VERY COARSE	----	±0.5	±1	±1.5	±2.5	±4	±6	±8		

MATERIAL SEE BOM	FINISH N/A	VENDOR: N/A	P/N: N/A
----------------------------	----------------------	--------------------	-----------------

THIRD ANGLE PROJECTION		CORE INDUSTRIES, INC. DBA STAR TRAC 14410 Myford Road Irvine CA 92606	
DRAWN	INITIAL	DATE	STARTRAC PART NO 740-7577
CHECKED			REV D
APPROVED			TITLE ASSY, FLYWHEEL, SPINNER
U.O.M.	MM	SCALE: 1:5	SHEET 1 OF 1
			SHEET SIZE: B

REVISION HISTORY				
REV	DATE	DESCRIPTION	ECO	BY
F	10-21-09	RELEASE FOR PRODUCTION	12264	AK
G	05-26-10	REMOVE VENDOR P/N	13142	VW



DOCUMENT STATUS:
RELEASE

NOTICE OF PROPRIETARY INFORMATION

THIS DOCUMENT SHALL NOT BE REPRODUCED NOR SHALL THE INFORMATION CONTAINED HEREIN BE USED BY OR DISCLOSED TO OTHER EXCEPT AS EXPRESSLY AUTHORIZED BY UNISEN INC, D.B.A. STAR TRAC.

MATERIAL
SEE BOM

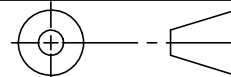
FINISH
N/A

VENDOR:

P/N:

ITEM NO.	PART NUMBER	DESCRIPTION	QTY.
1	740-6872	KIT, ASSY, PAD, BRAKE, SPINNER, 7090/80/70/60	1
2	740-7019	PLATE, BRAKE PAD	1
3	740-7182	SCREW, M5X0.8X10, BHC, HE, SS	1

THIRD ANGLE PROJECTION



UNISEN, INC. DBA



14410 Myford Road
Irvine CA 92606

STARTRAC PART NO

740-7207

REV

G

TITLE

ASSY, SPINNER, BRAKE PAD

SCALE: 1:3

SHEET 1 OF 1

SHEET SIZE: A

CLASS OF WORK	FINE	MEDIUM	COARSE	VERY COARSE
			X	

UNLESS OTHERWISE SPECIFIED DIMS ARE IN mm. TOLERANCES FOR MEASURE OF LENGTH ARE: ANGLES ±2°	0.5 to 3	±0.05	±0.1	±0.2	----
	> 3 to 6	±0.05	±0.1	±0.3	±0.5
> 6 to 30	±0.1	±0.2	±0.5	±1	
> 30 to 120	±0.15	±0.3	±0.8	±1.5	
> 120 to 400	±0.2	±0.5	±1.2	±2.5	
> 400 to 1000	±0.3	±0.8	±2	±4	
> 1000 to 2000	±0.5	±1.2	±3	±6	
> 2000	----	±2	±4	±8	