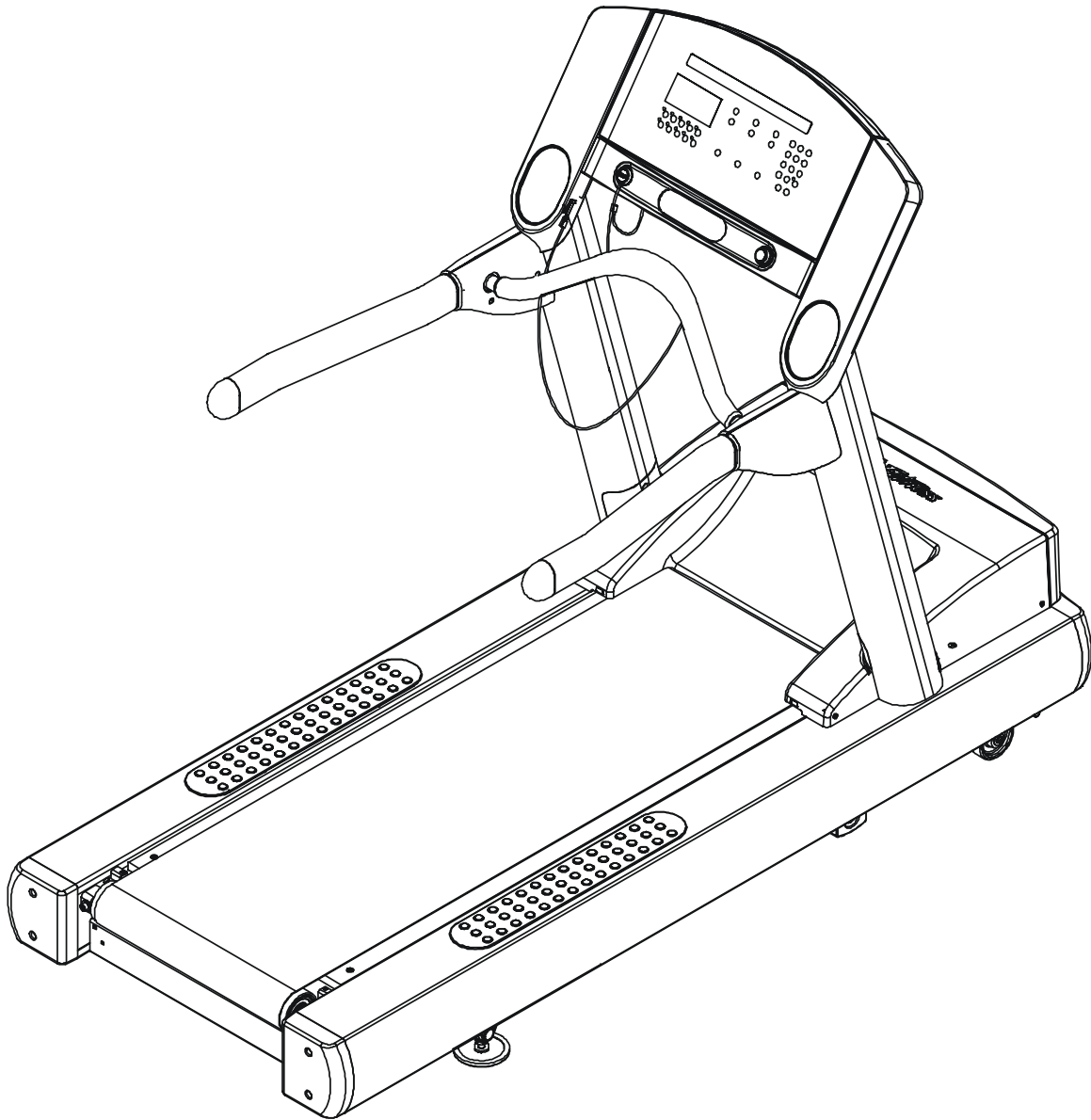


# LifeFitness

Arctic Silver 93T Treadmill



Customer Support Services  
**PARTS MANUAL** rev. 29 Mar 2007

**ARCTIC SILVER 93T**  
**REFERENCES**

**93T-0XXX-03**  
**S/N ATS100000 and up**

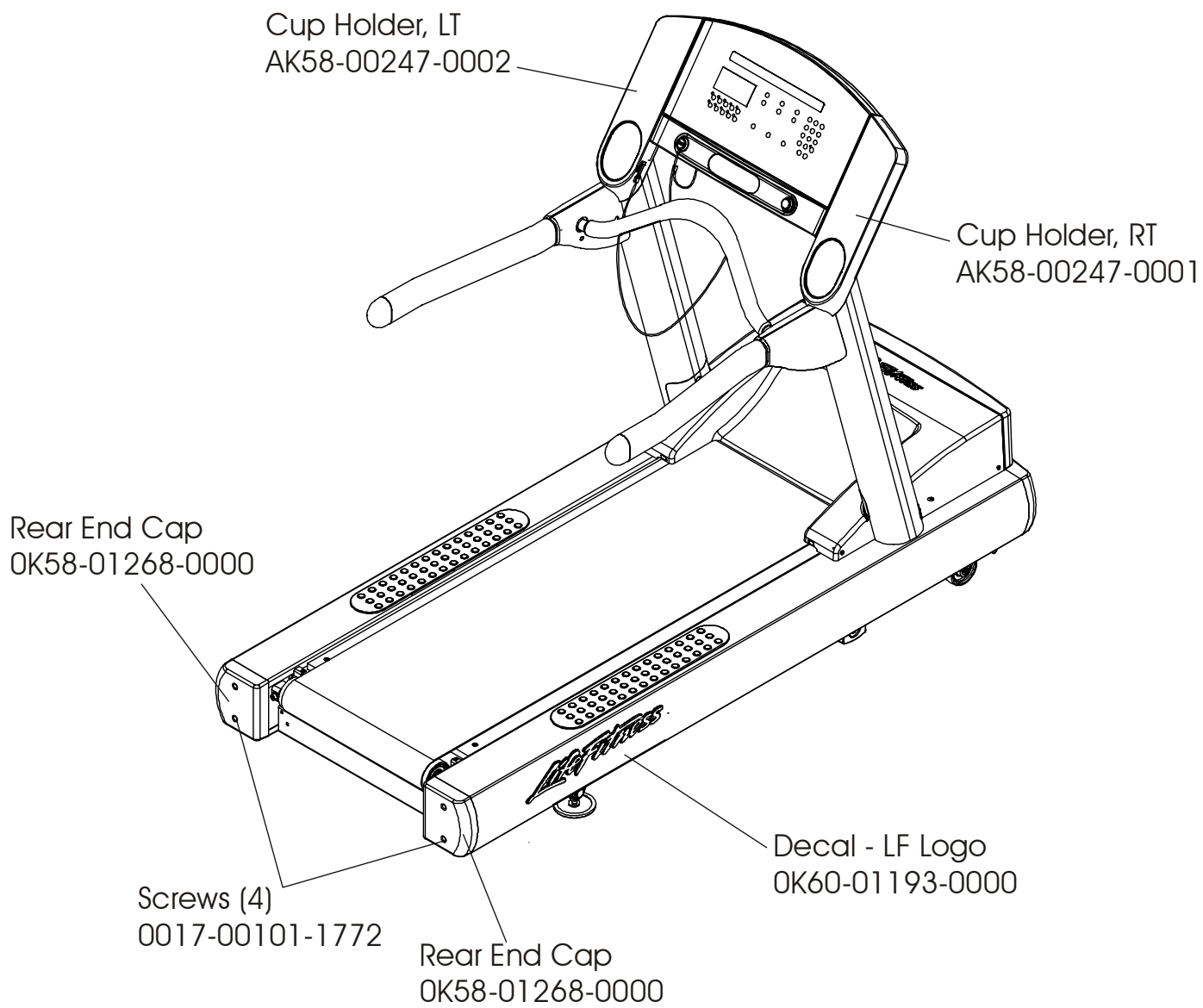
---

OPERATION MANUAL	M051-00K58-A173
SERVICE MANUAL	M051-00K58-A159
HARDWARE BAG	AK58-00227-0000
TOUCH UP PAINT: SPRAY CAN .5 OZ BOTTLE W/APPLICATOR .33 OZ PEN	0017-00008-0204 0017-00008-0205 0017-00008-0206
INSTALLATION VIDEO	M051-00K58-A160
SERVICE VIDEO	M051-00K58-A161

	Page
REAR ENDCAPS AND CUP HOLDERS .....	3
SCUFF PAD, TINSEL AND FRAME TAG BOARD .....	4
CONSOLE AND RELATED COMPONENTS.....	5
UPRIGHTS, HAND RAILS AND ERGO BAR .....	6
MOTOR COVER, FRONT COVER AND ENDCAPS .....	7
BELT, DECK AND REAR ROLLER.....	8
LIFT FRAME AND MOTOR .....	9
WAX/LIFT ASSEMBLY .....	10
MOTOR CONTROLLER ASSEMBLY.....	11
DRIVE MOTOR ASSEMBLY .....	12
IDLER ARM ASSEMBLY AND STATIC BRUSH.....	13
LEG LEVELER ASSEMBLY .....	14
FRONT ROLLER ASSEMBLY .....	15
POWER COMPONENTS SCHEMATIC .....	16
CABLES .....	17

**ARCTIC SILVER 93T**  
**Rear End Caps and Cup Holders**

**93T-0XXX-03**  
**S/N ATS100000 and up**

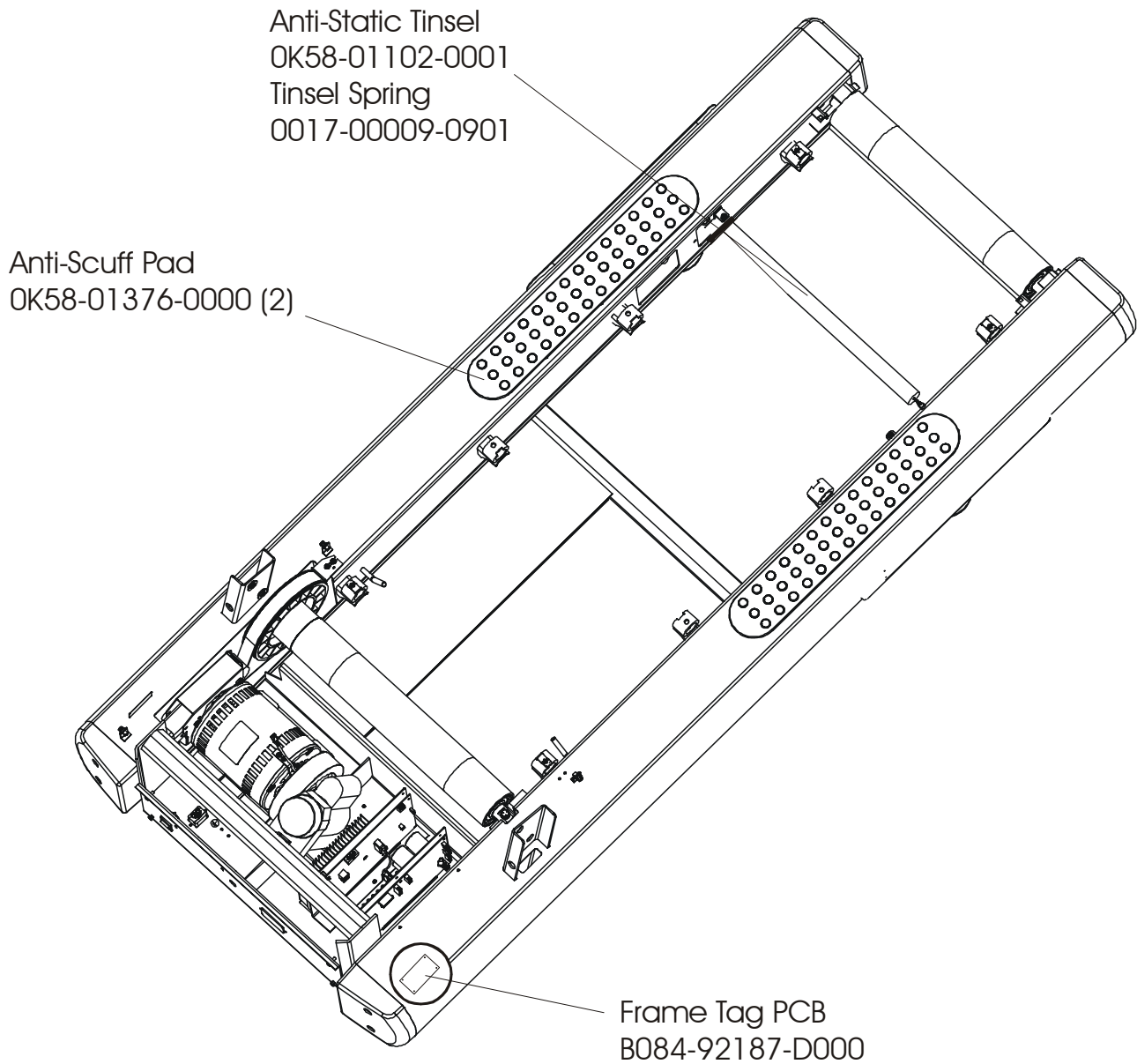


**ARCTIC SILVER 93T**

**93T-0XXX-03**

**Scuff Pad, Tinsel and Frame Tag Bd.**

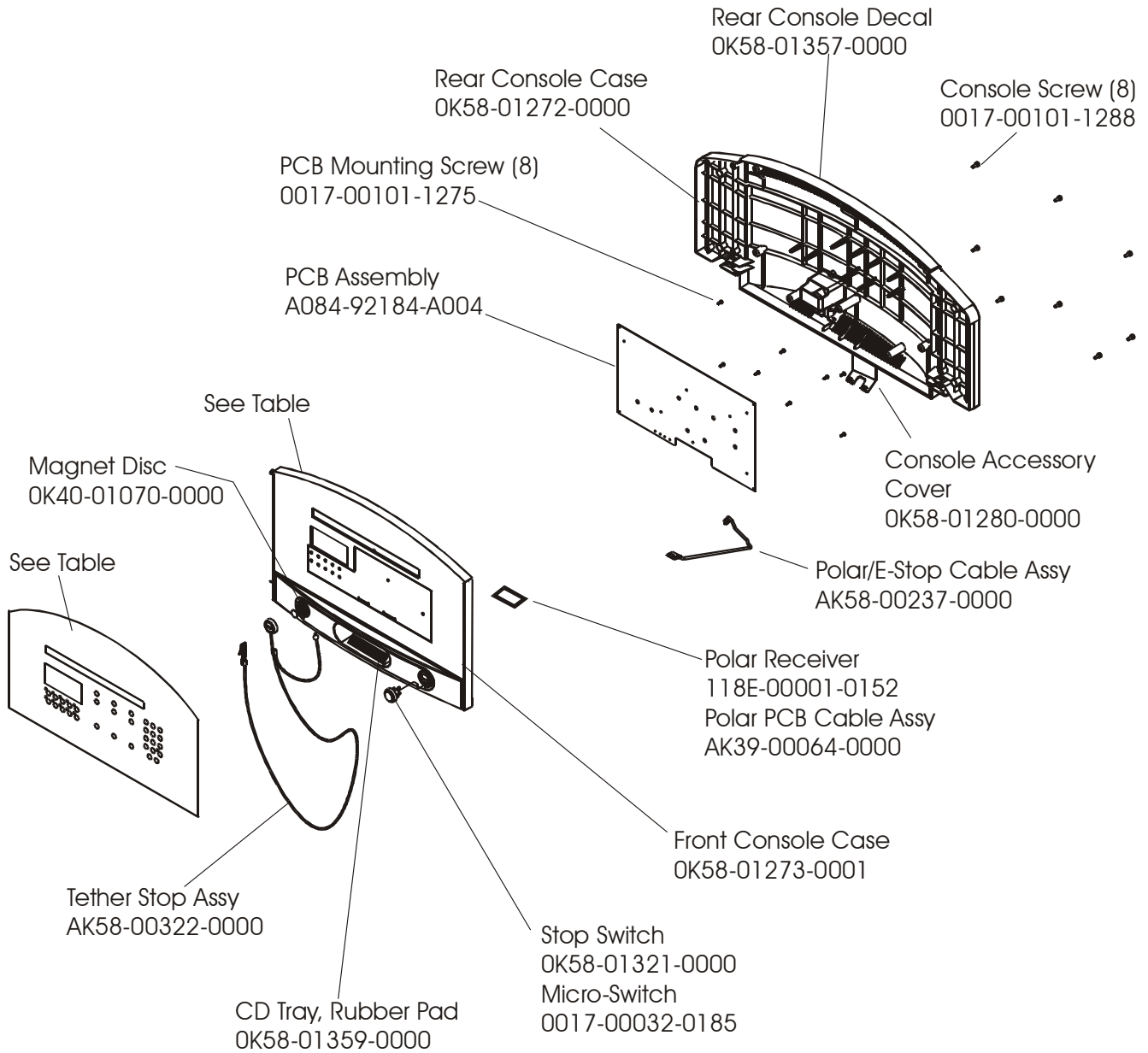
**S/N ATS100000 and up**



# ARCTIC SILVER 93T

## Console and Related Components

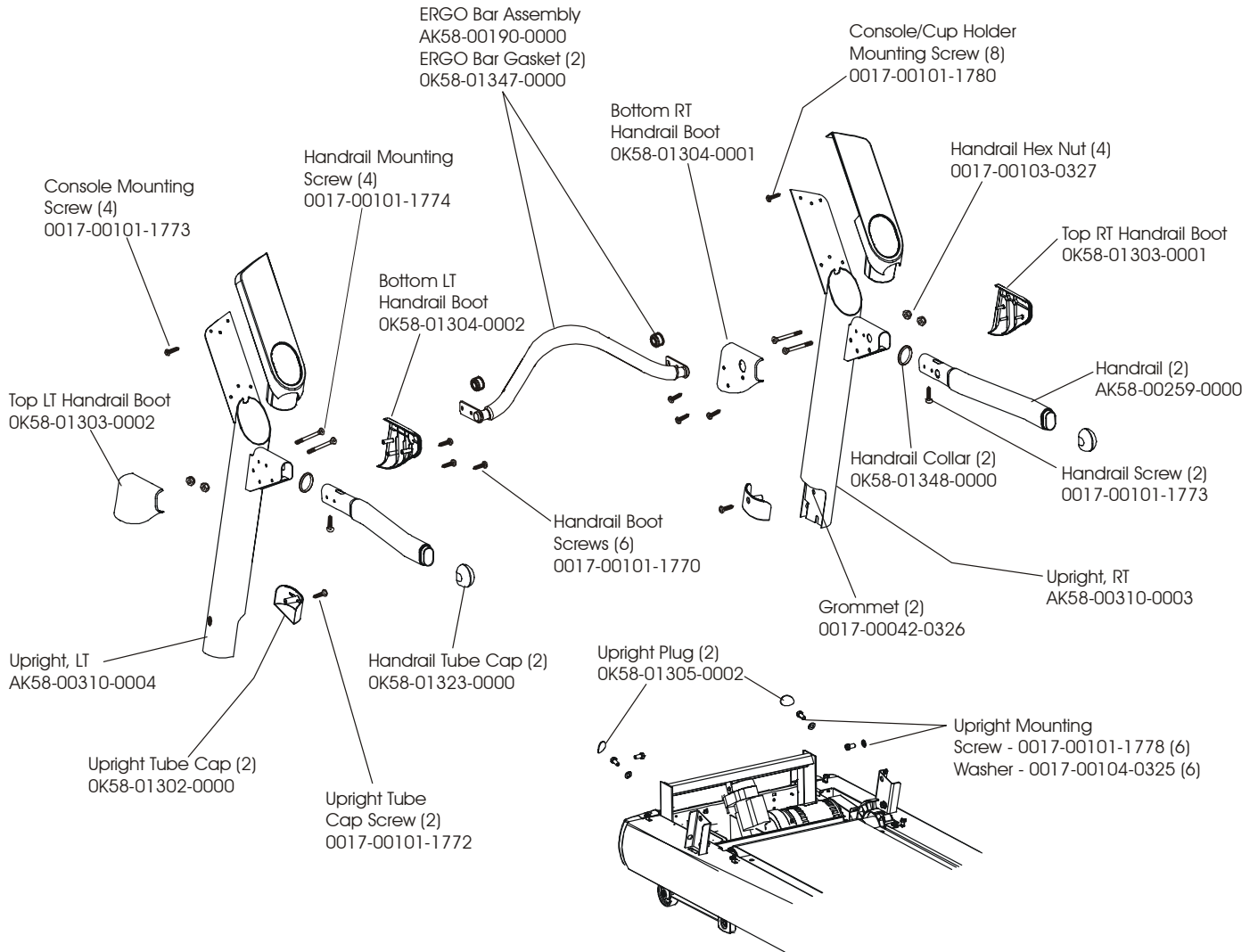
93T-0XXX-03  
S/N ATS100000 and up



Console Assembly	Overlay/Bezel/Switch Assy.	Language
AK58-00405-0001	AK58-00204-0001	Eng/Met
AK58-00405-0002	AK58-00204-0001	Eng/Eur
AK58-00405-0003	AK58-00204-0003	German
AK58-00405-0004	AK58-00204-0004	Spanish
AK58-00405-0006	AK58-00204-0006	Japanese
AK58-00405-0007	AK58-00204-0007	French
AK58-00405-0008	AK58-00204-0008	Italian
AK58-00405-0009	AK58-00204-0009	Dutch

**ARCTIC SILVER 93T**  
**Uprights, Handrails and Ergo Bar**

**93T-0XXX-03**  
**S/N ATS100000 and up**

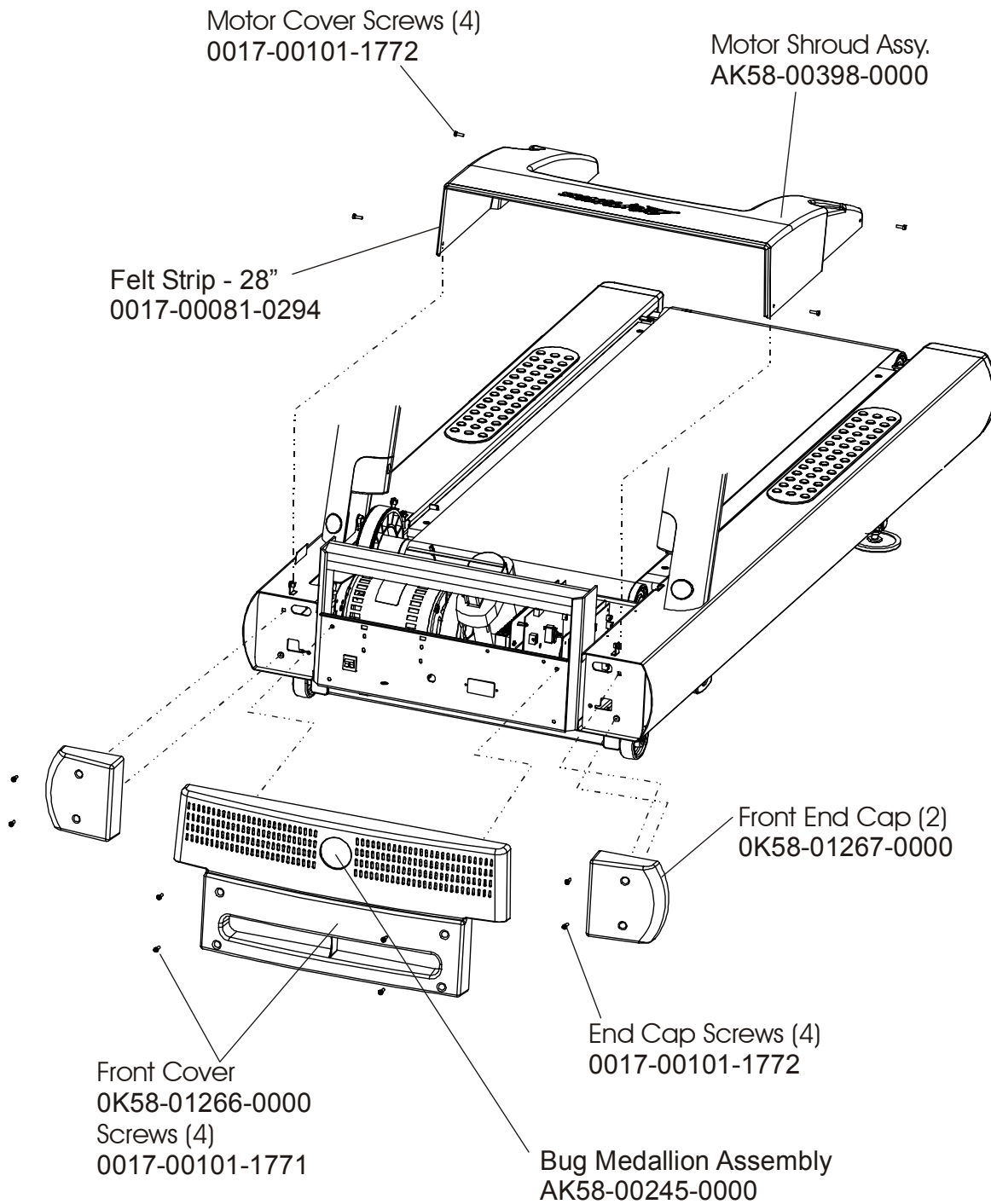


# ARCTIC SILVER 93T

## Motor Cover, Front Cover and Front End Caps

93T-0XXX-03

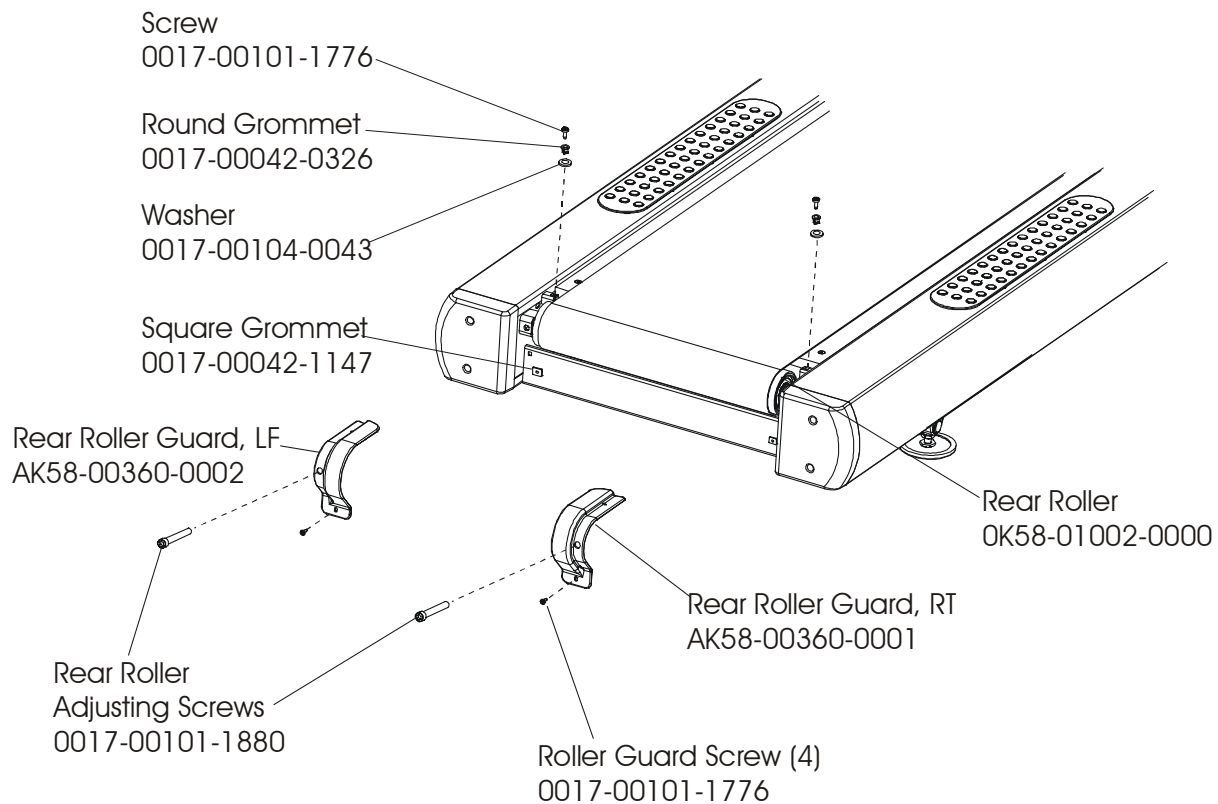
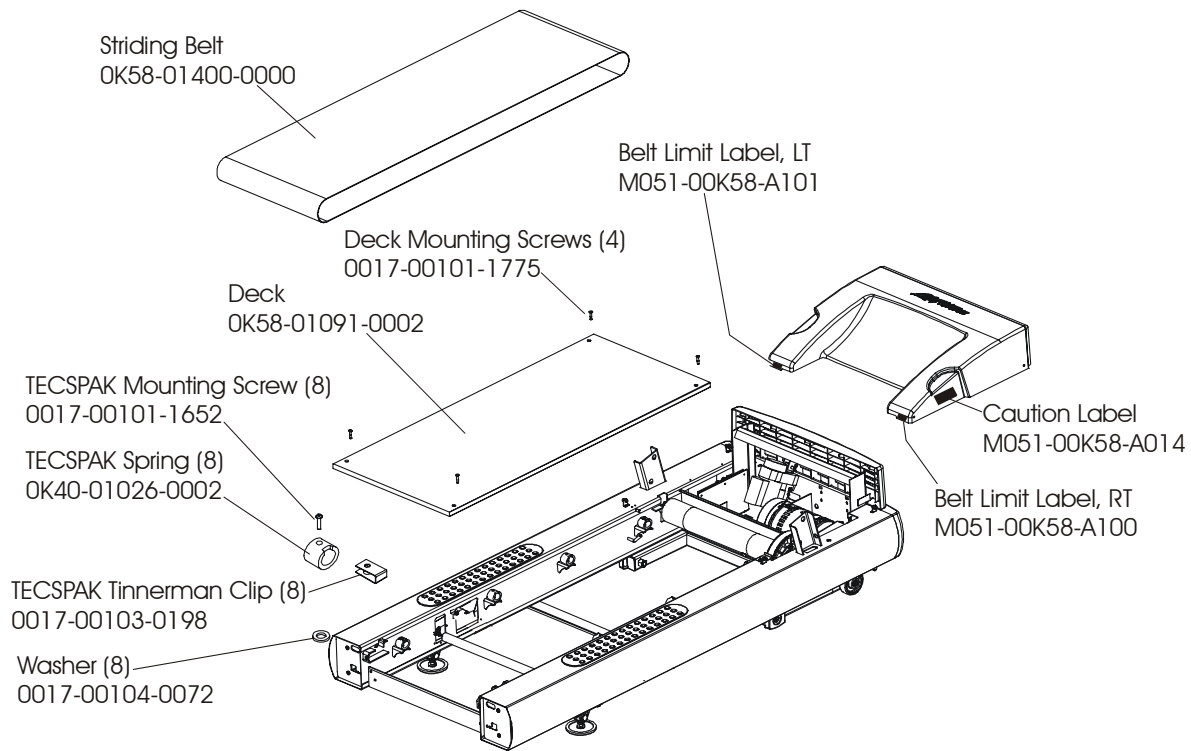
S/N ATS100000 and up





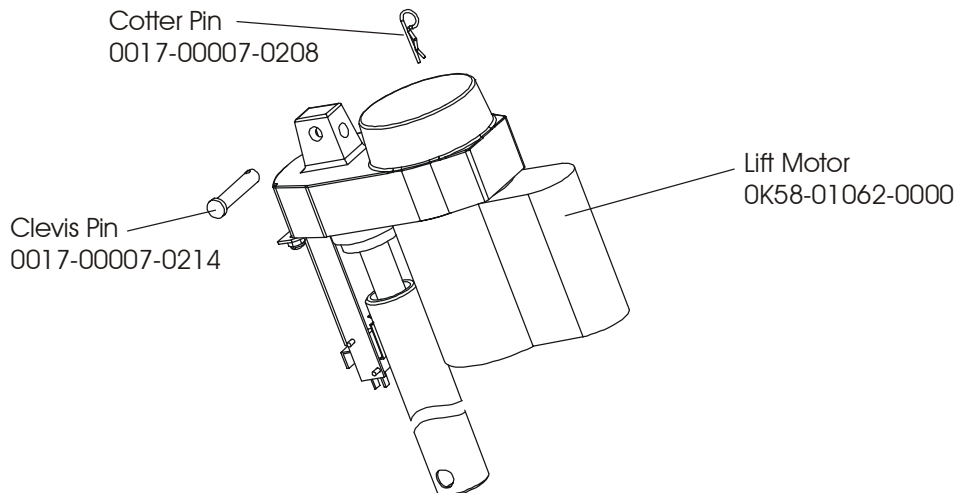
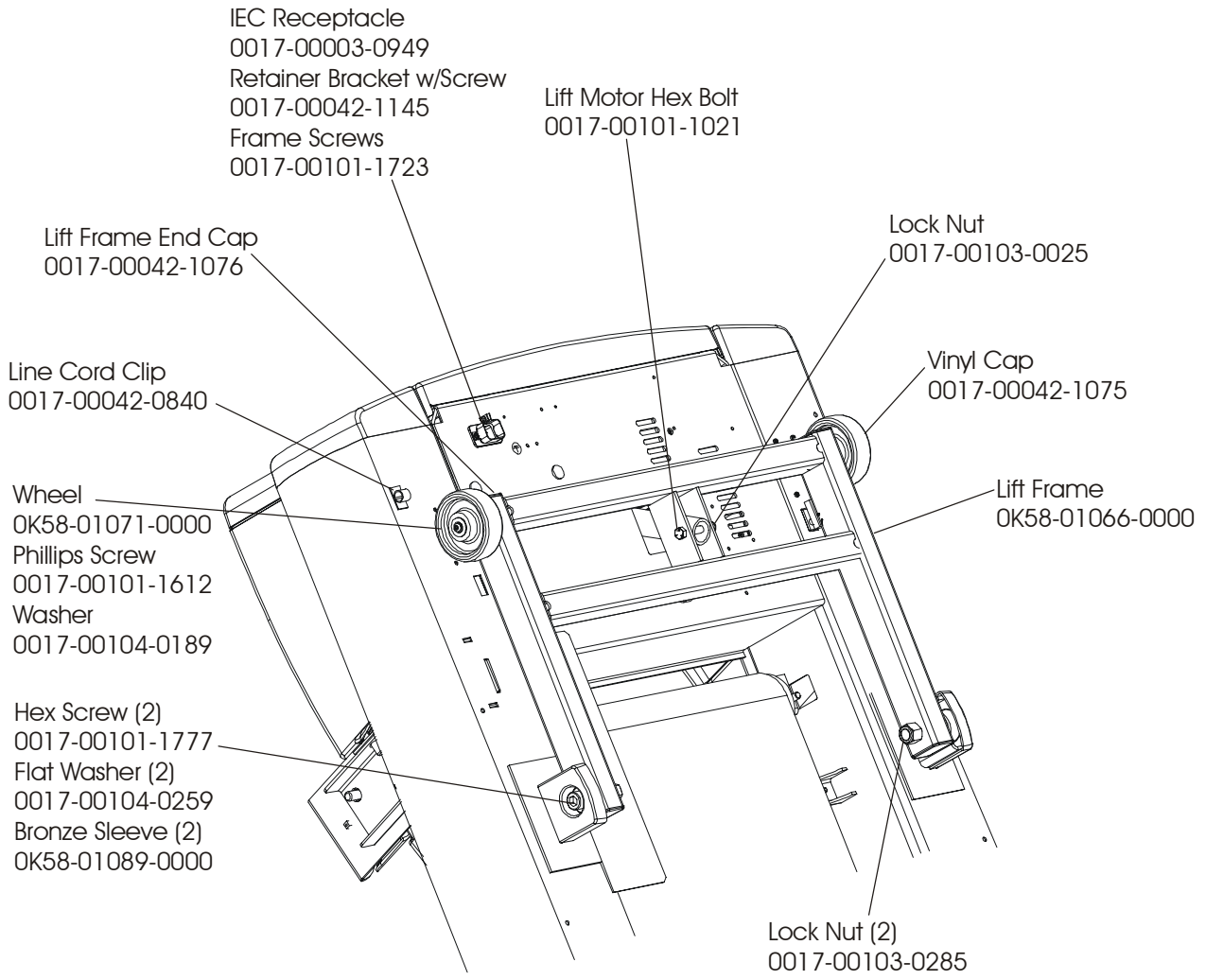
**ARCTIC SILVER 93T**  
**Belt, Deck and Rear Roller**

**93T-0XXX-03**  
**S/N ATS100000 and up**



**ARCTIC SILVER 93T**  
**Lift Frame and Lift Motor**

**93T-0XXX-03**  
**S/N ATS100000 and up**

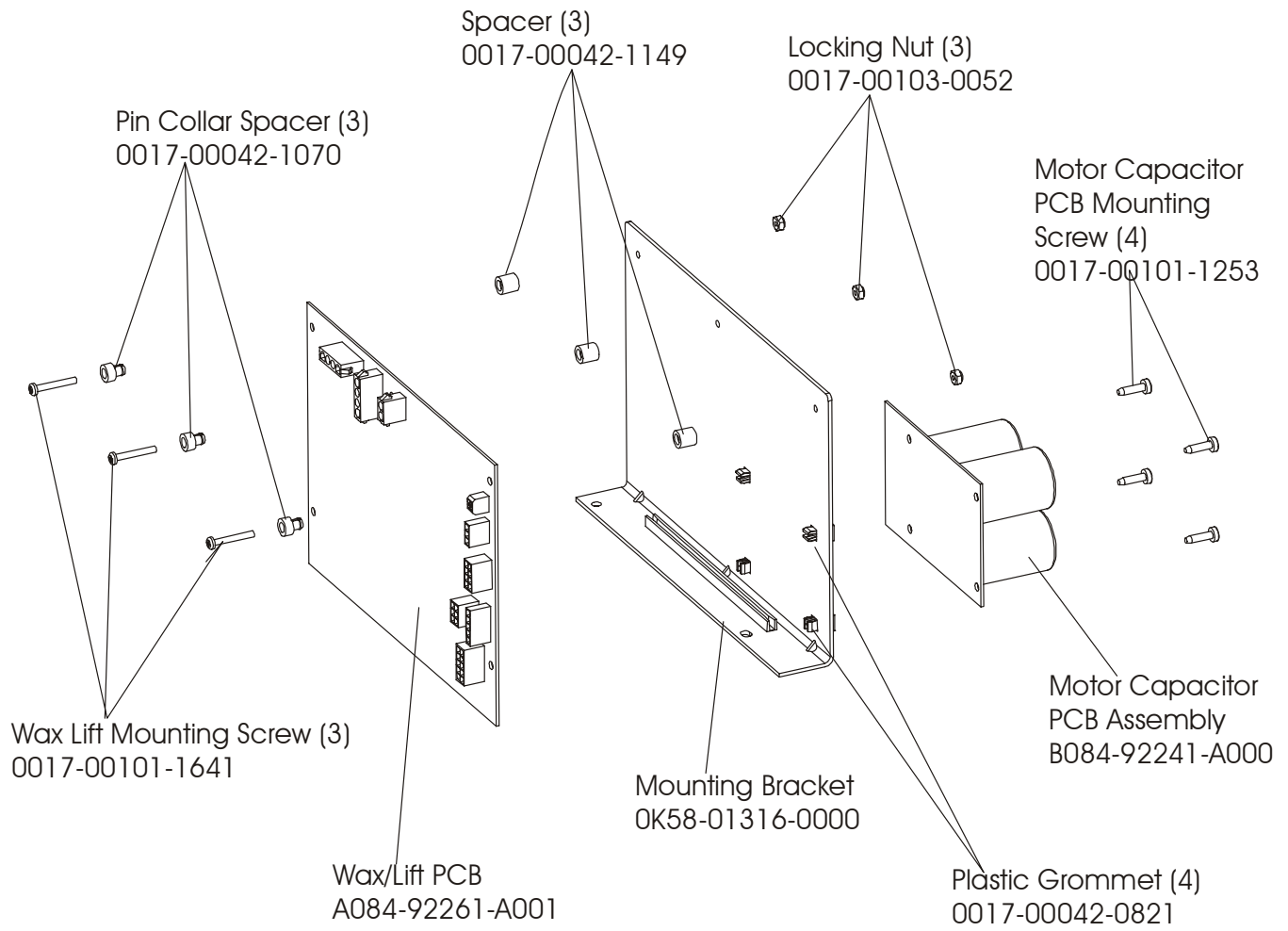


# ARCTIC SILVER 93T

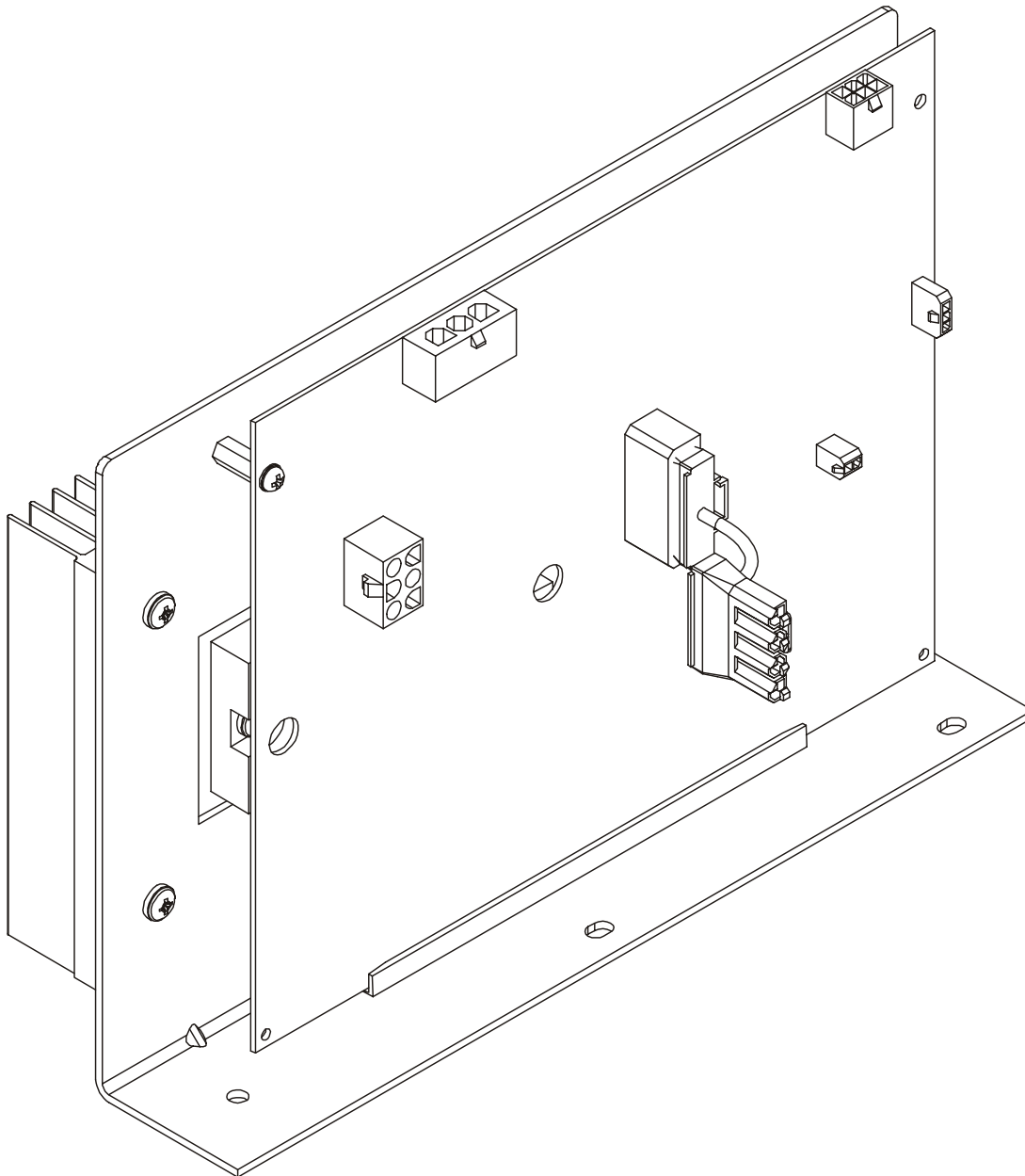
Wax/Lift Assembly—AK58-00243-0000

93T-0XXX-03

S/N ATS100000 and up

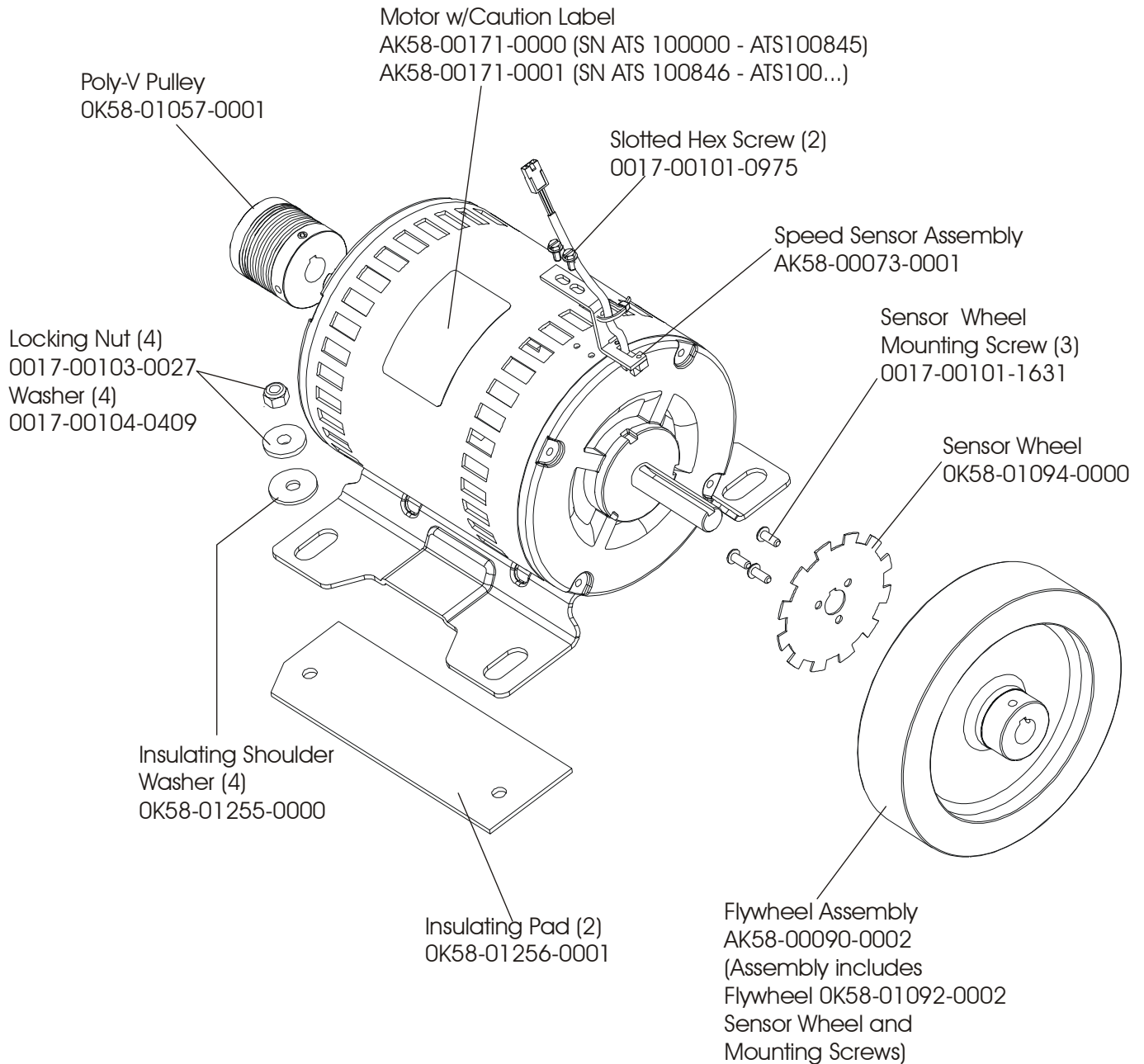


**AK60-00171-0000 (100-120V) W/O FERRITE**  
**AK60-00171-0001 (200-240V) W/O FERRITE**  
**AK60-00171-0002 (100-120V) WITH FERRITE**  
**AK60-00171-0003 (200-240V) WITH FERRITE**



**ARCTIC SILVER 93T**  
**Drive Motor Assembly**

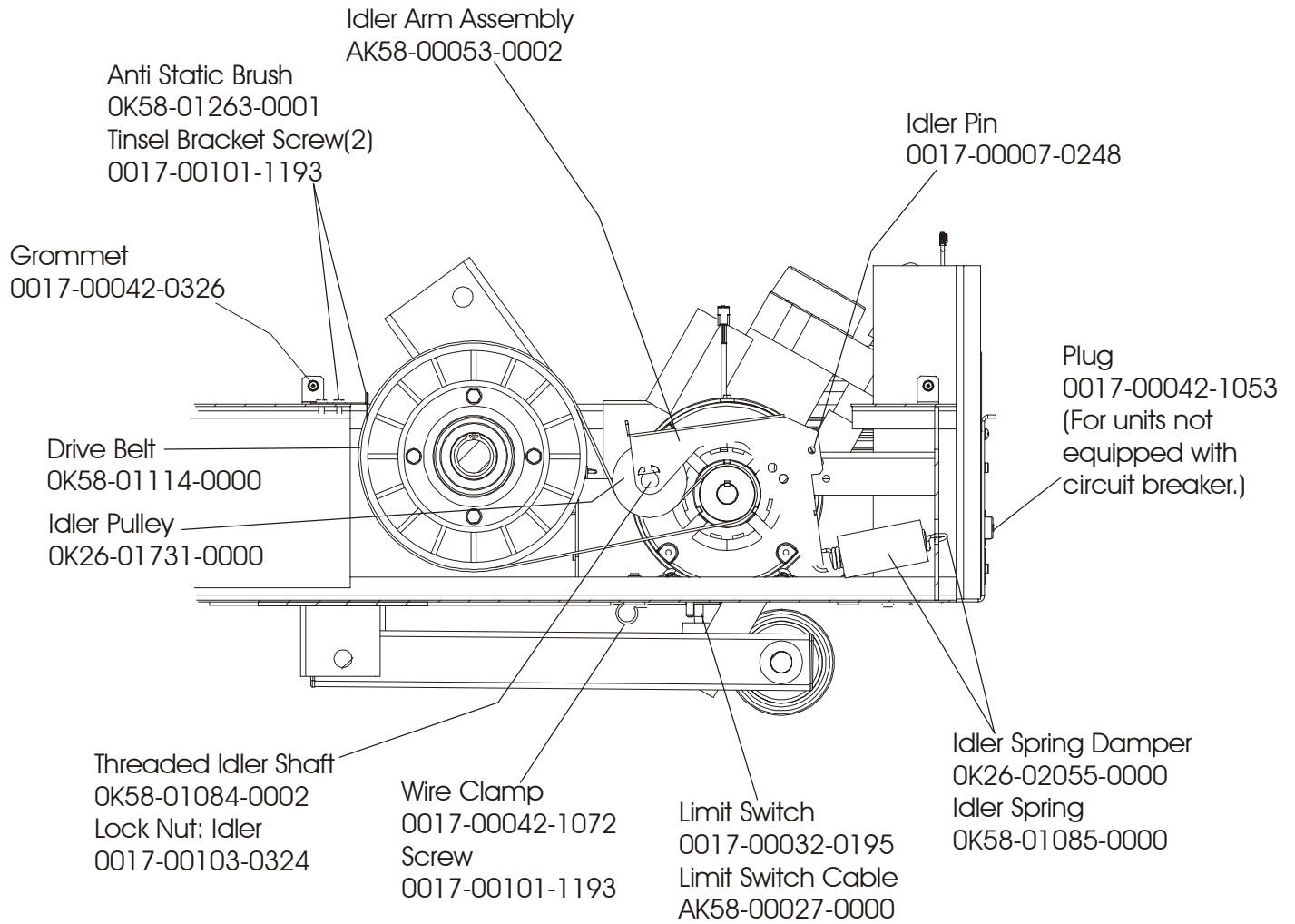
**93T-0XXX-03**  
**S/N ATS100000 and up**



Drive Motor Assembly Number	Motor Serial Number
AK58-00172-0000	ATS100000 – ATS100845
AK58-00172-0002	ATS100846 and up

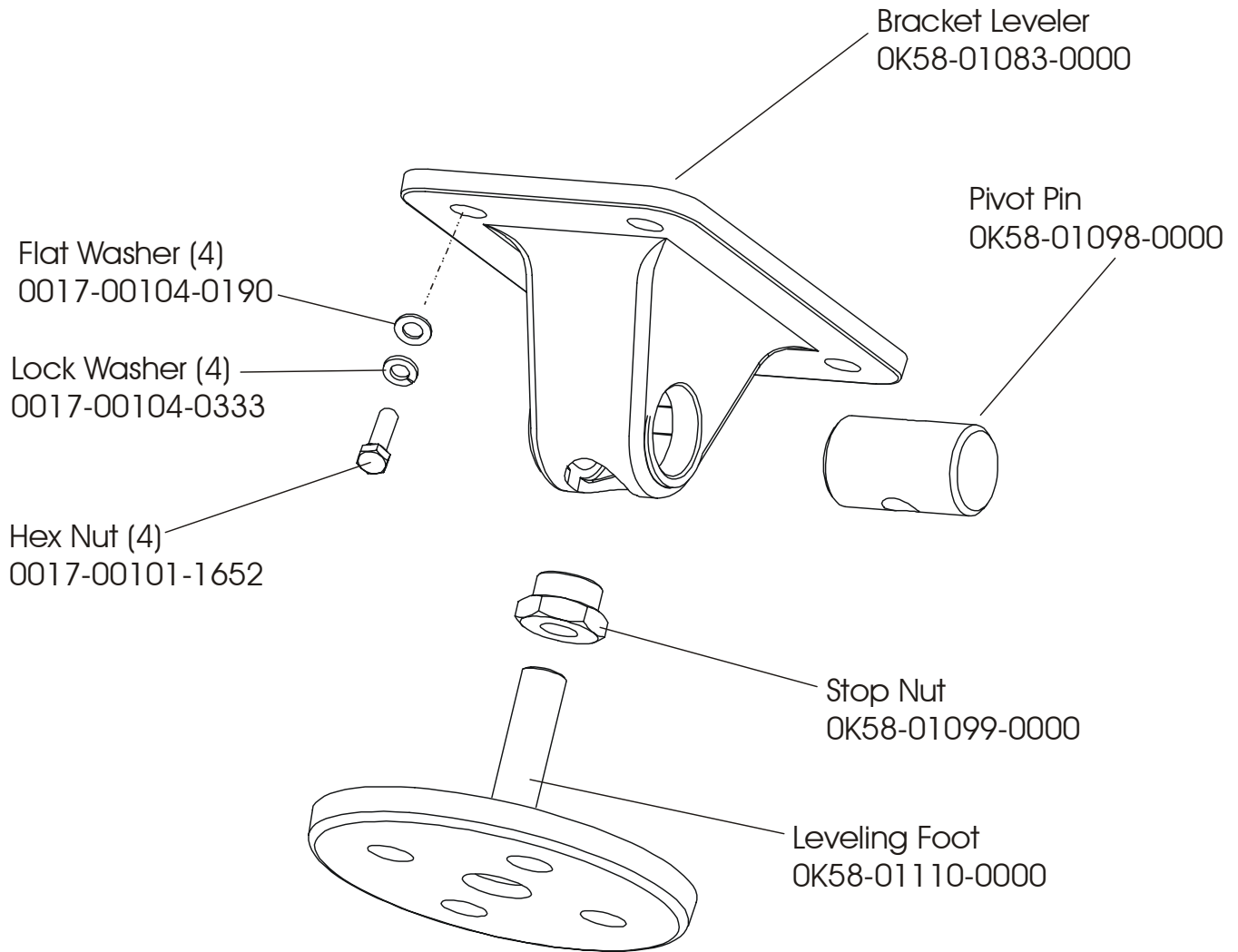
**ARCTIC SILVER 93T**  
**Idler Arm Assembly and Static Brush**

**93T-0XXX-03**  
**S/N ATS100000 and up**



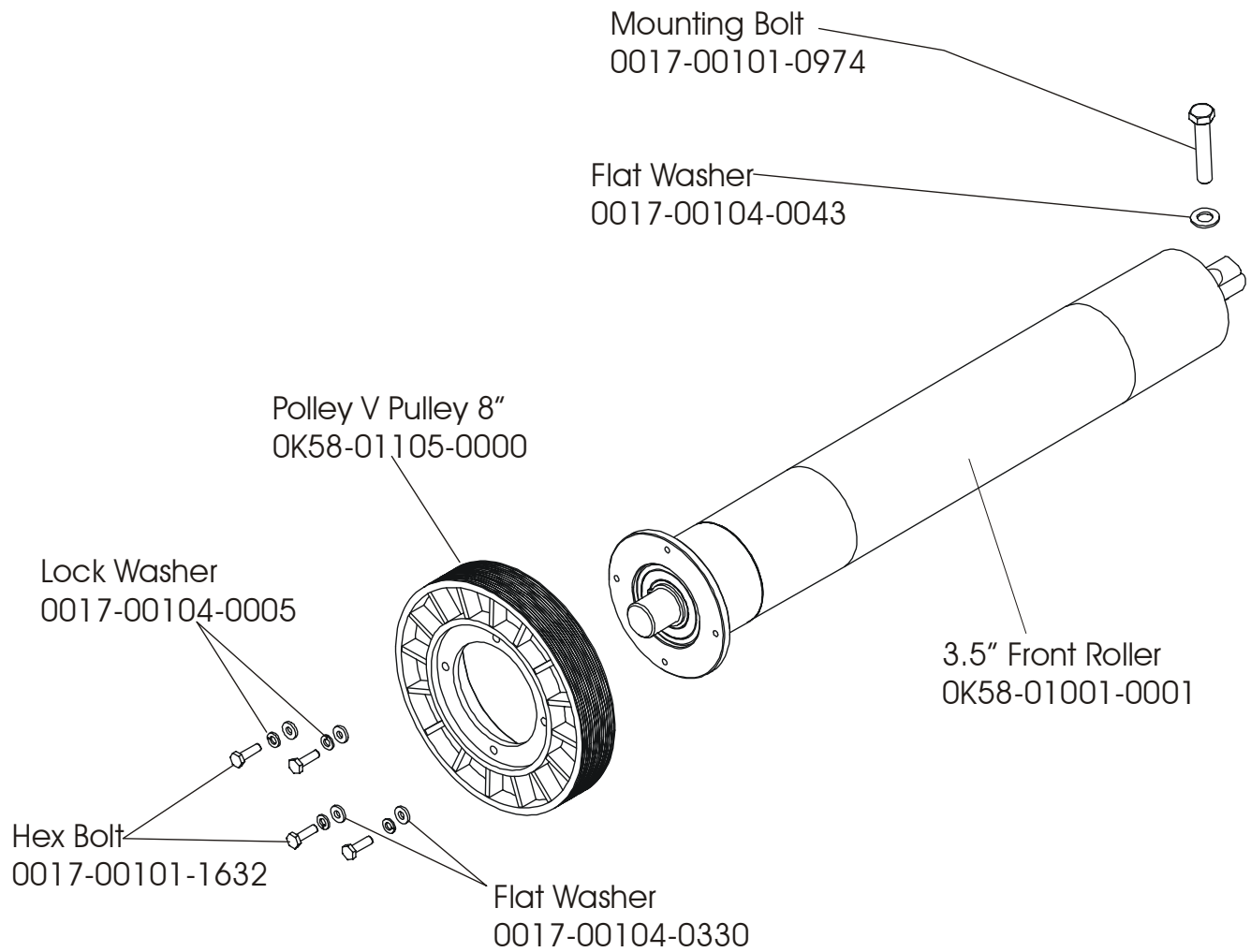
**ARCTIC SILVER 93T**  
**Leveler Assembly – AK58-00370-0000**

**93T-0XXX-03**  
**S/N ATS100000 and up**



**ARCTIC SILVER 93T**  
**Front Roller Assy.-AK58-00066-0000**

**93T-0XXX-03**  
**S/N ATS100000 and up**

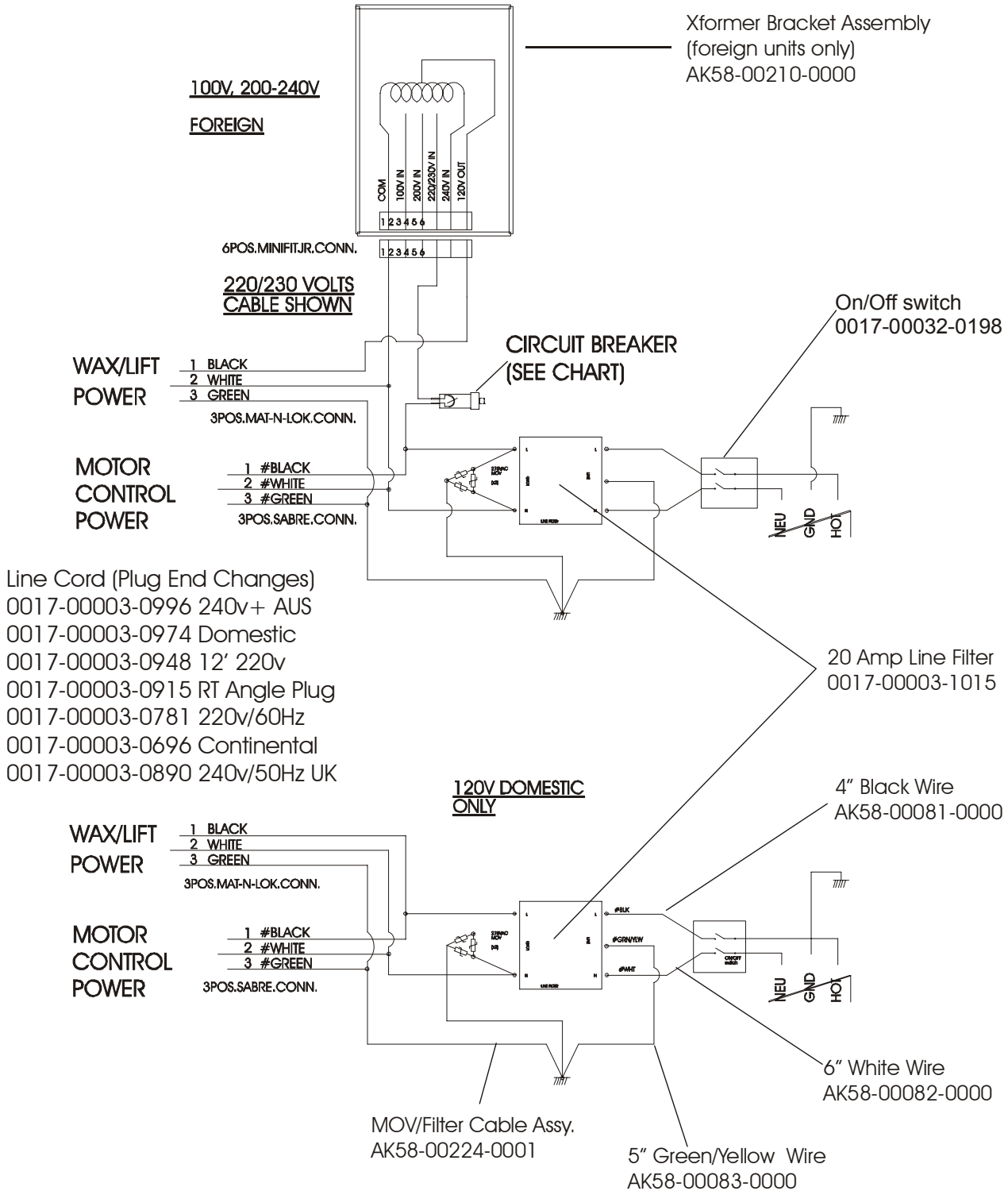




# ARCTIC SILVER 93T

## Power Components Schematic

**93T-0XXX-03**  
**S/N ATS100000 and up**



# ARCTIC SILVER 93T

## Wax/Lift Power Supply

93T-0XXX-03  
S/N ATS10000 and up

