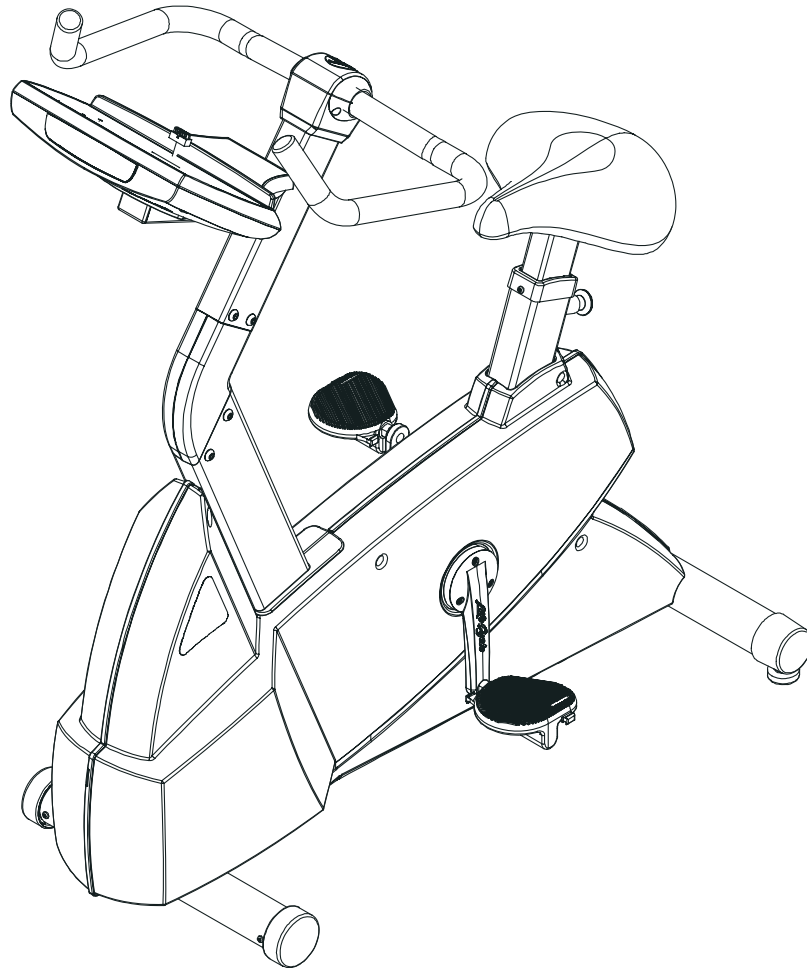


LifeFitness

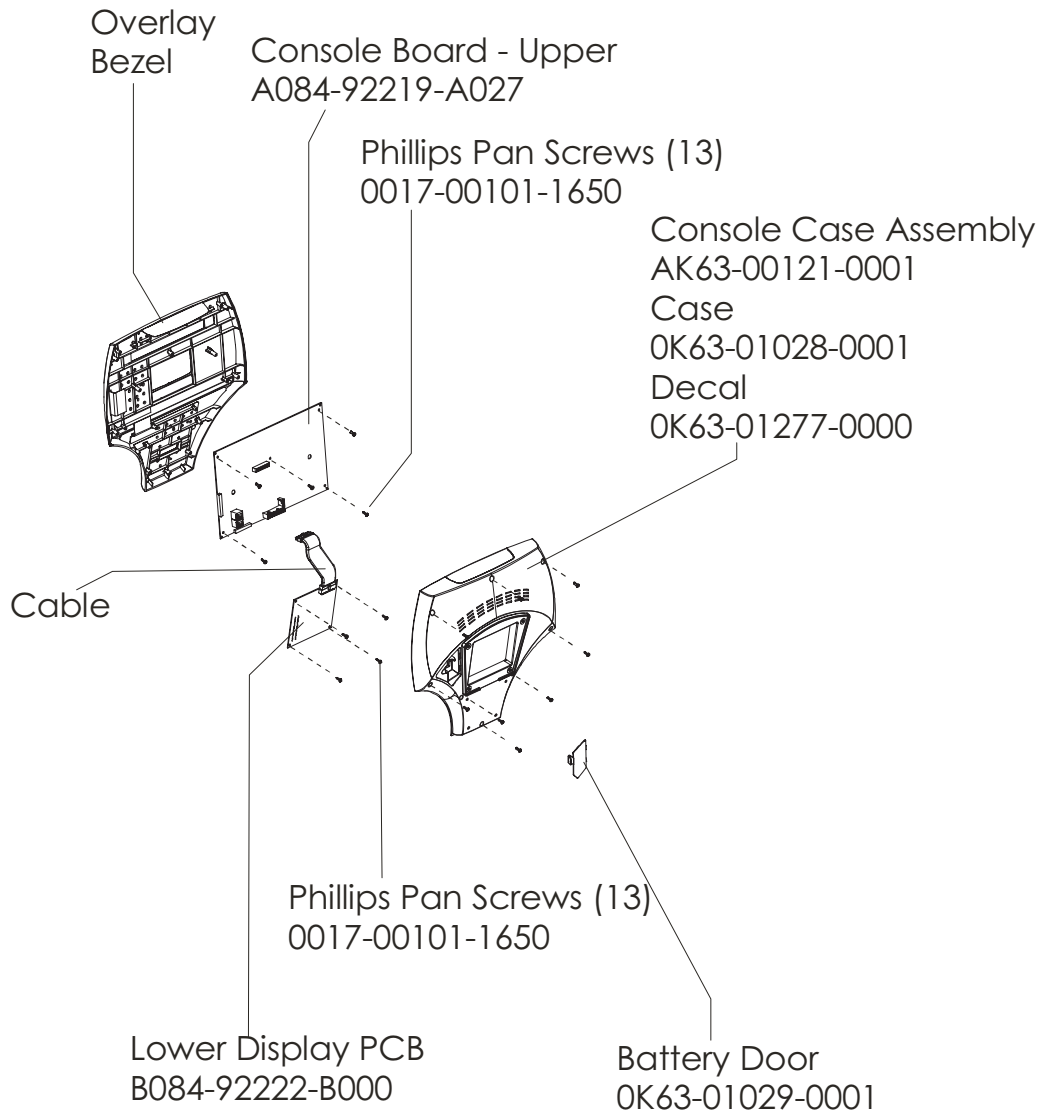
Classic Upright Bike CLSC-ALLXX-02



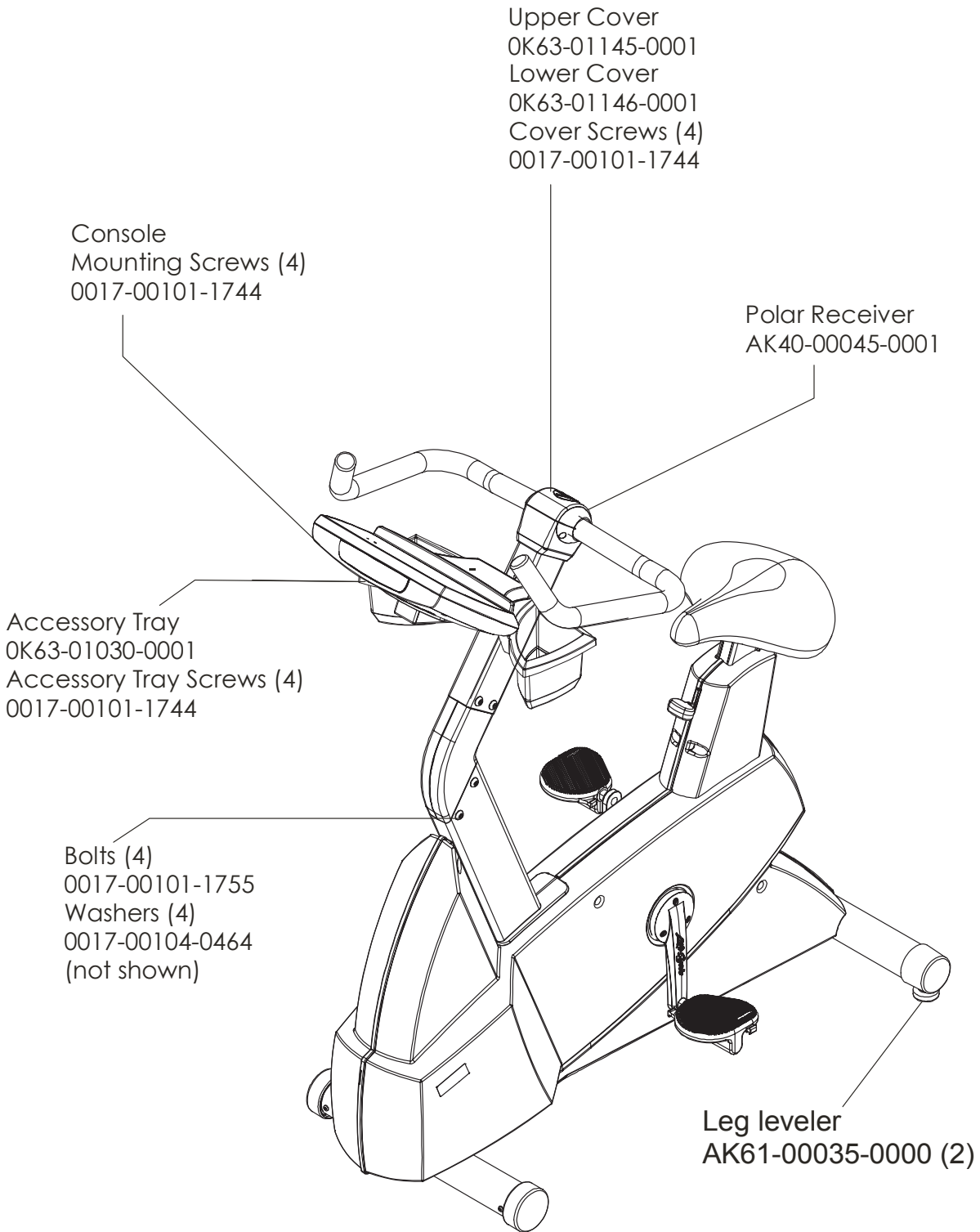
Customer Support Services
PARTS MANUAL rev 15 Feb 2010

Miscellaneous	3
Console Components.....	4
Console Mounting Screws and Polar Covers	5
Alternator w/Pulley.....	6
Crankshaft and Bearing Assembly	7
Intermediate Shaft and Bearing Assembly	8
Seat Latch Assembly	9
Seat Post Assembly.....	10
Seat Post Shrouds	11
Idler Bracket Assembly	12
Console Support Assembly	13
Left Side Shroud and Crank Arm	14
Right Side Shroud and Crank Arm.....	15
PCB Mounting Bracket Assembly	16
Front Wheels	17
Resistor Assembly	18
Handlebar Assembly	19
Belts	20
Cables	21

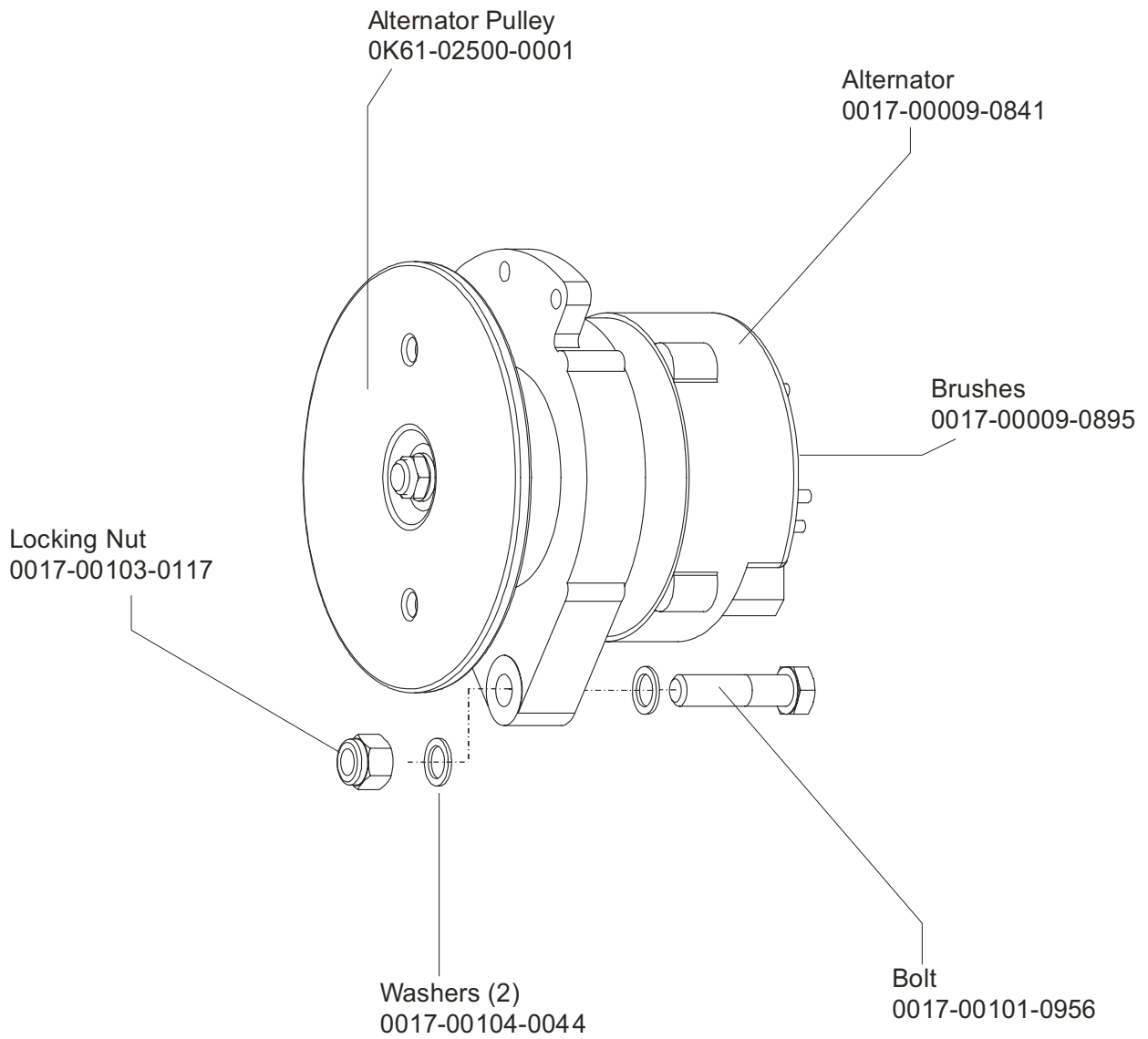
Description	Part No.
OPERATION MANUAL	M051-00K63-A263
HARDWARE BAG	GK63-00002-0044
NETWORK C-SAFE KIT	GK63-00002-0003
POWER OPTION KIT - 120V	GK63-00002-0005
POWER OPTION KIT - 220/50 UK	GK63-00002-0039
POWER OPTION KIT - 240V+ AUS	GK63-00002-0040
POWER OPTION KIT - 220/50	GK63-00002-0041
TOUCH UP PAINT: SPRAY CAN .5 OZ BOTTLE W/APPLICATOR .33 OZ PEN	0017-00008-0204 0017-00008-0205 0017-00008-0206
SERVICE MANUAL	M051-00K63-A009

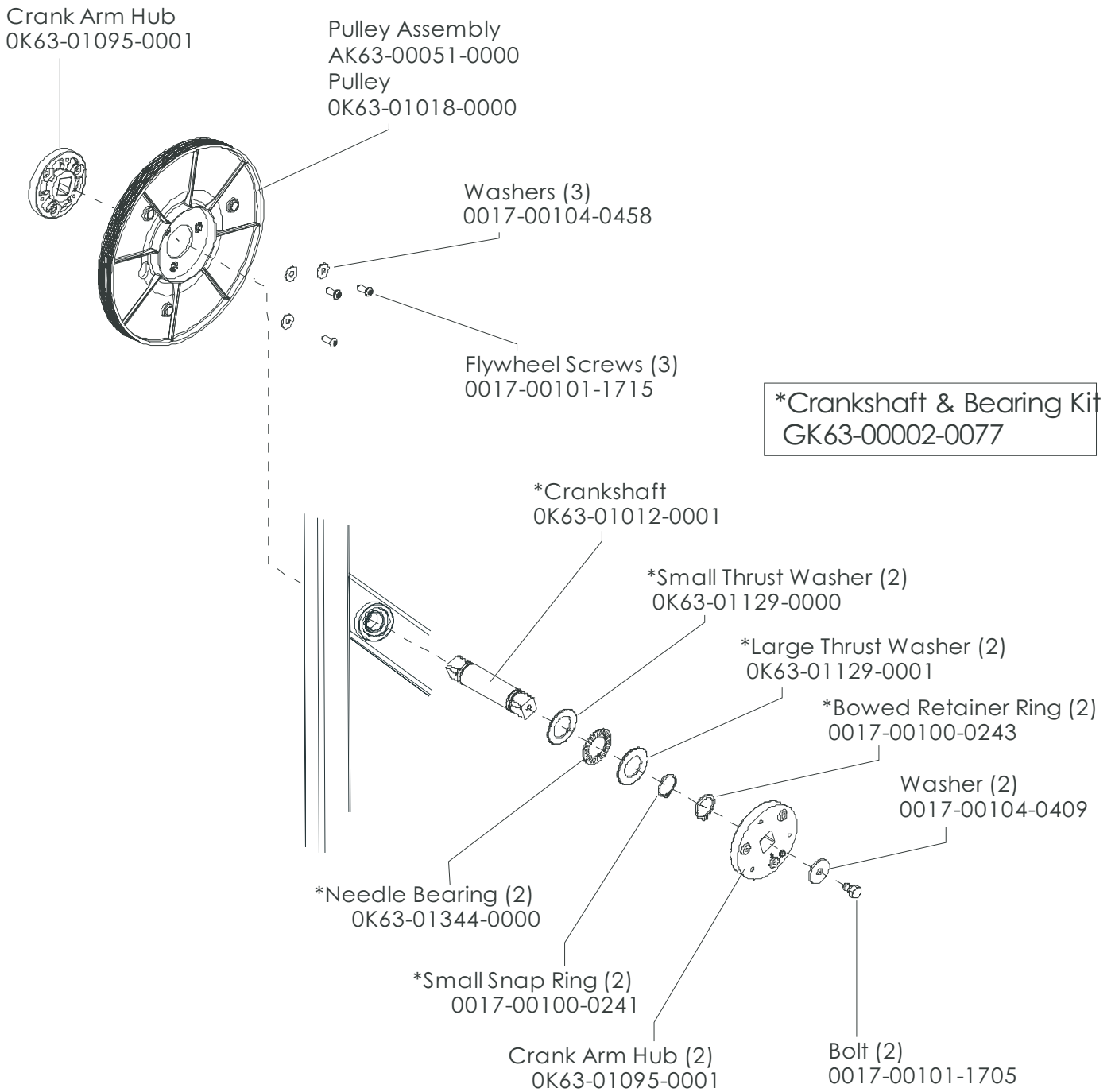


Language	Console Assembly	Bezel/Switch w/Overlay Assembly
Eng	AK63-00291-0001	AK63-00165-0001
Eng Met	AK63-00291-0002	AK63-00165-0001
Ger Met	AK63-00291-0003	AK63-00165-0003
Spn Met	AK63-00291-0004	AK63-00165-0004
Jap Met	AK63-00291-0006	AK63-00165-0006
Frn Met	AK63-00291-0007	AK63-00165-0007
Itl Met	AK63-00291-0008	AK63-00165-0008
Dut Met	AK63-00291-0009	AK63-00165-0009



Alternator w/Pulley
Ak63-00093-0000

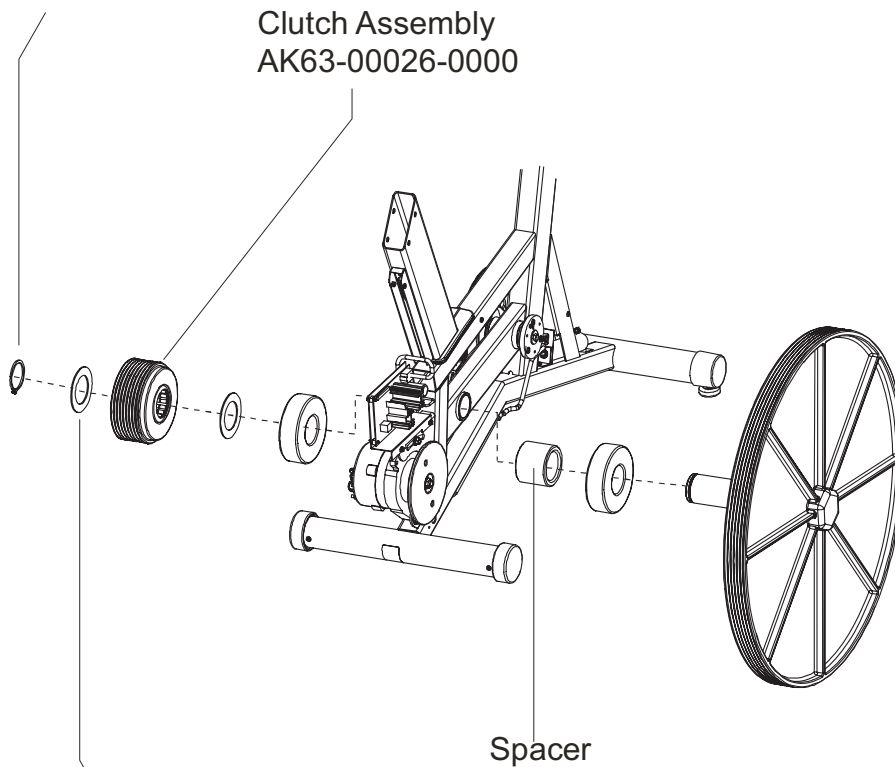




Intermediate Shaft and
Bearing Assembly Kit
GK63-00002-0007

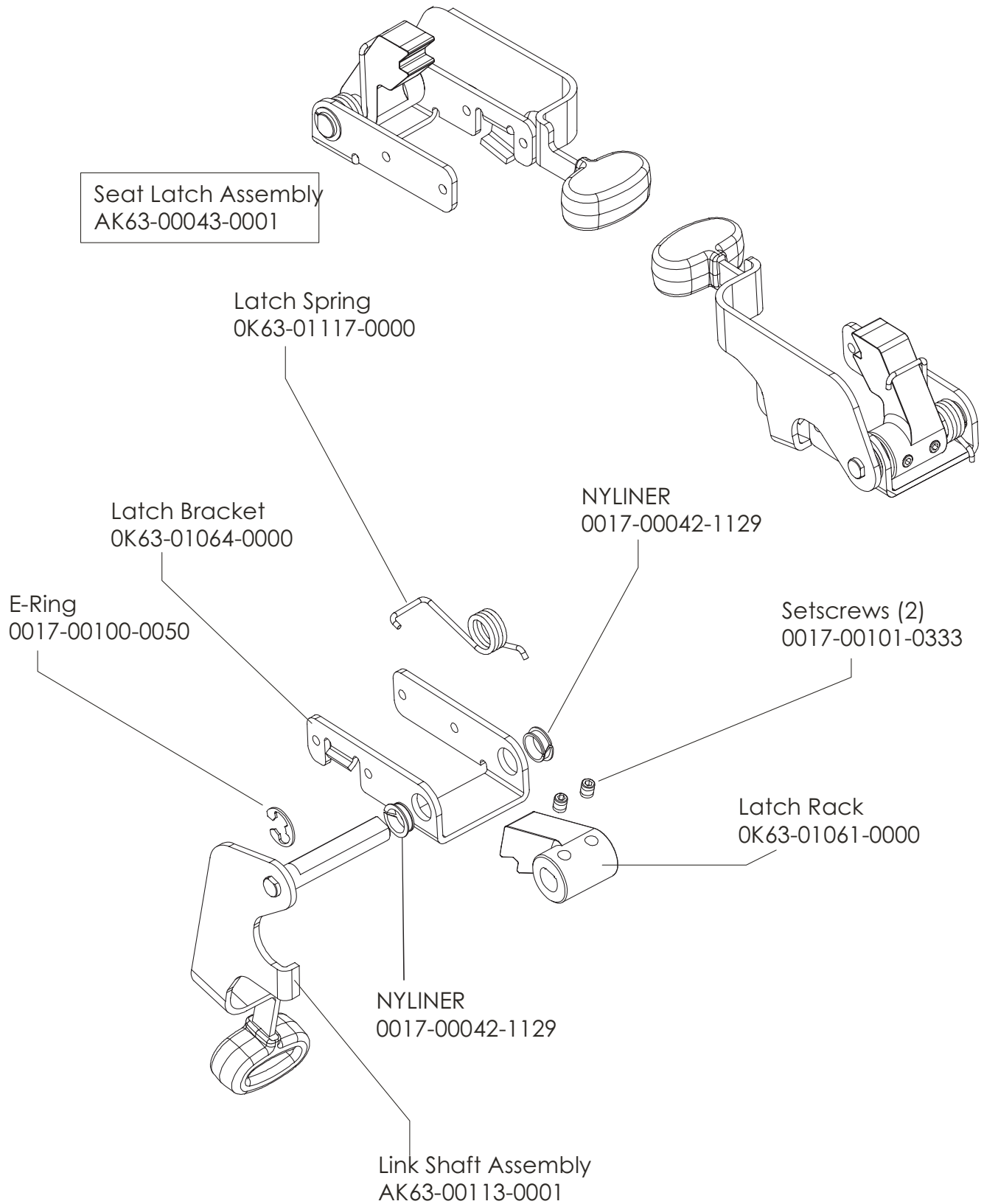
Retaining Ring
0017-00100-0242

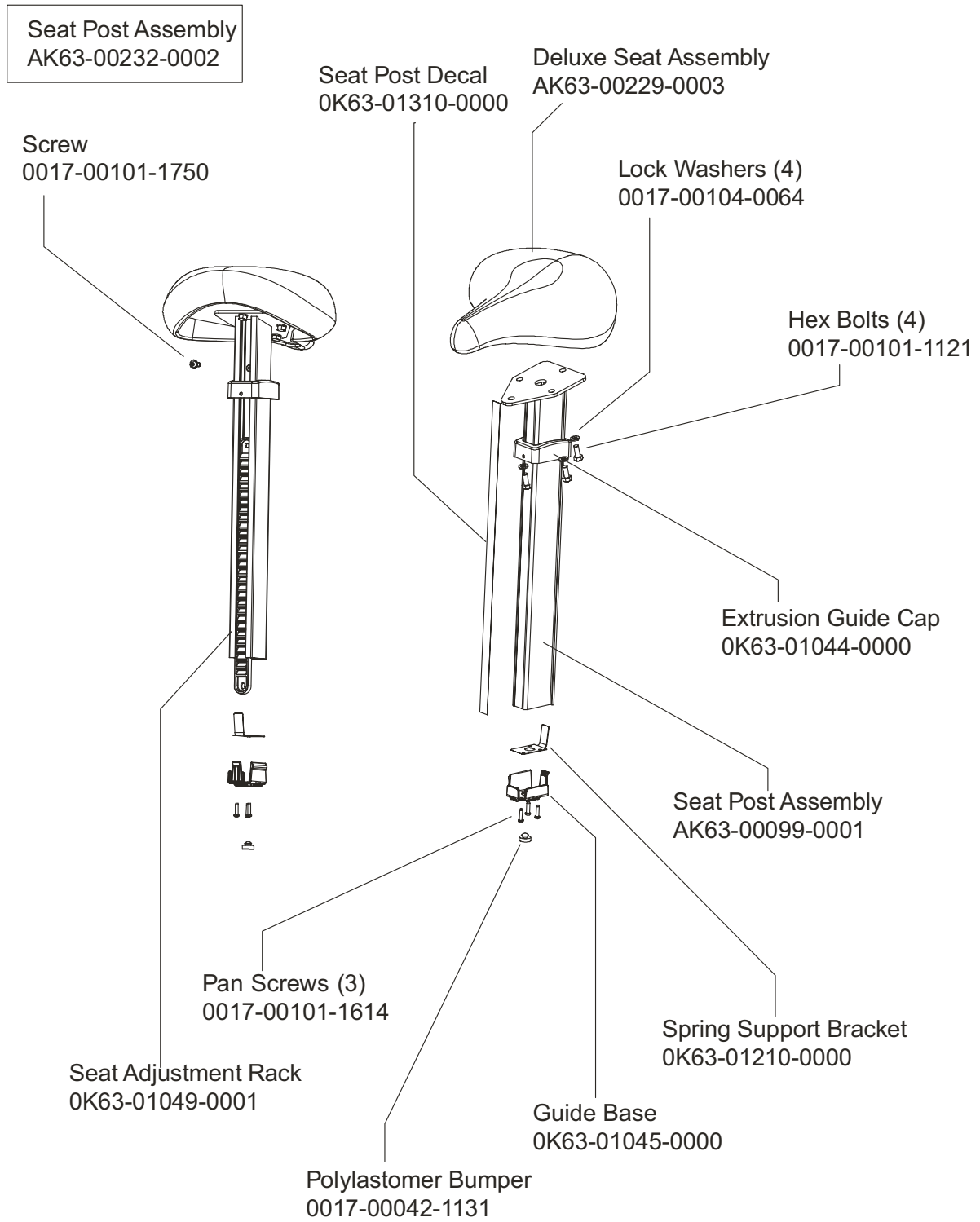
Clutch Assembly
AK63-00026-0000



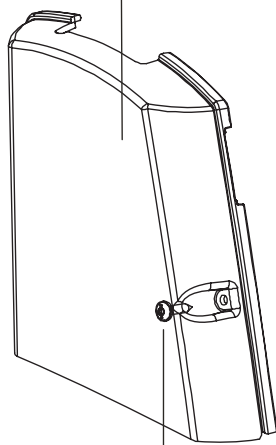
DELRIN Washers
0017-00104-0455

Spacer

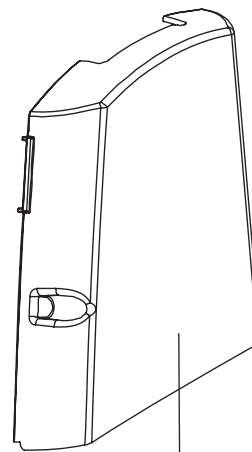




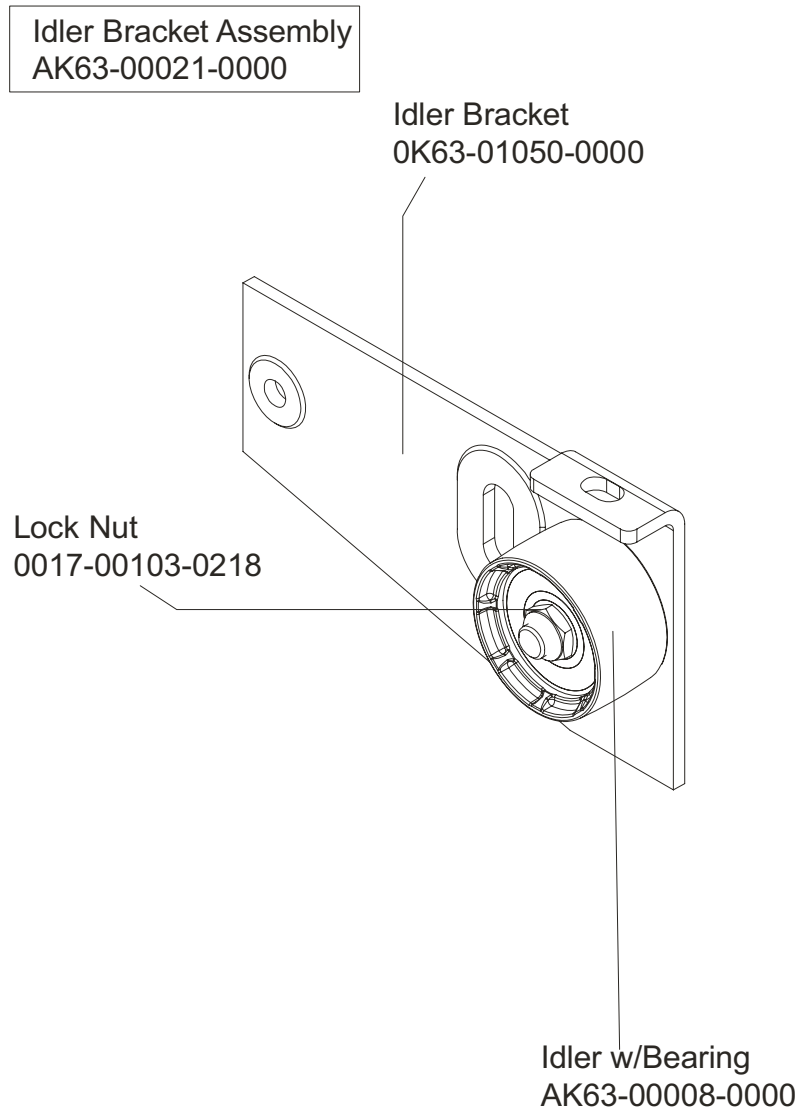
Left Seat Post Shroud
0K63-01092-0010

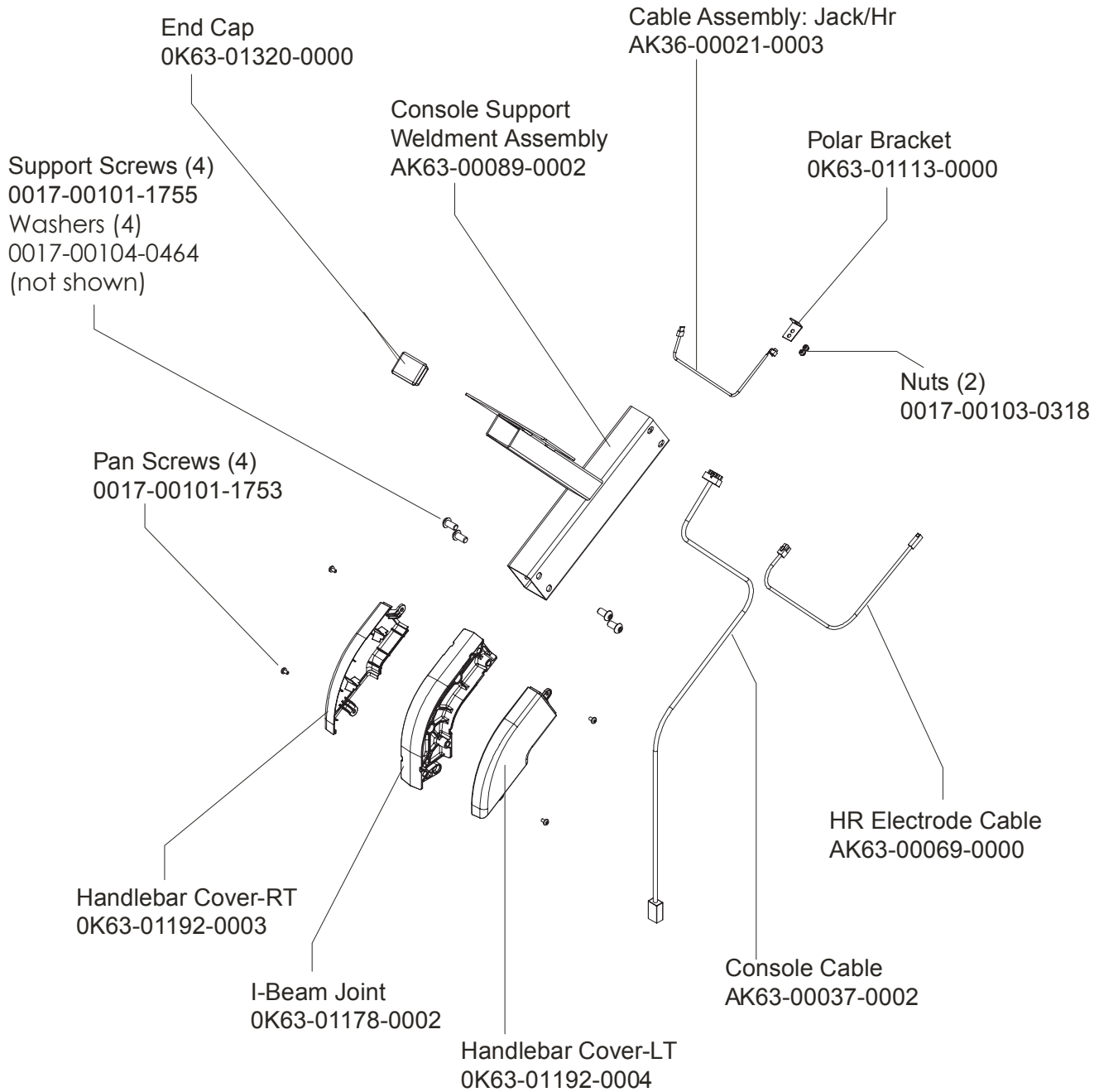


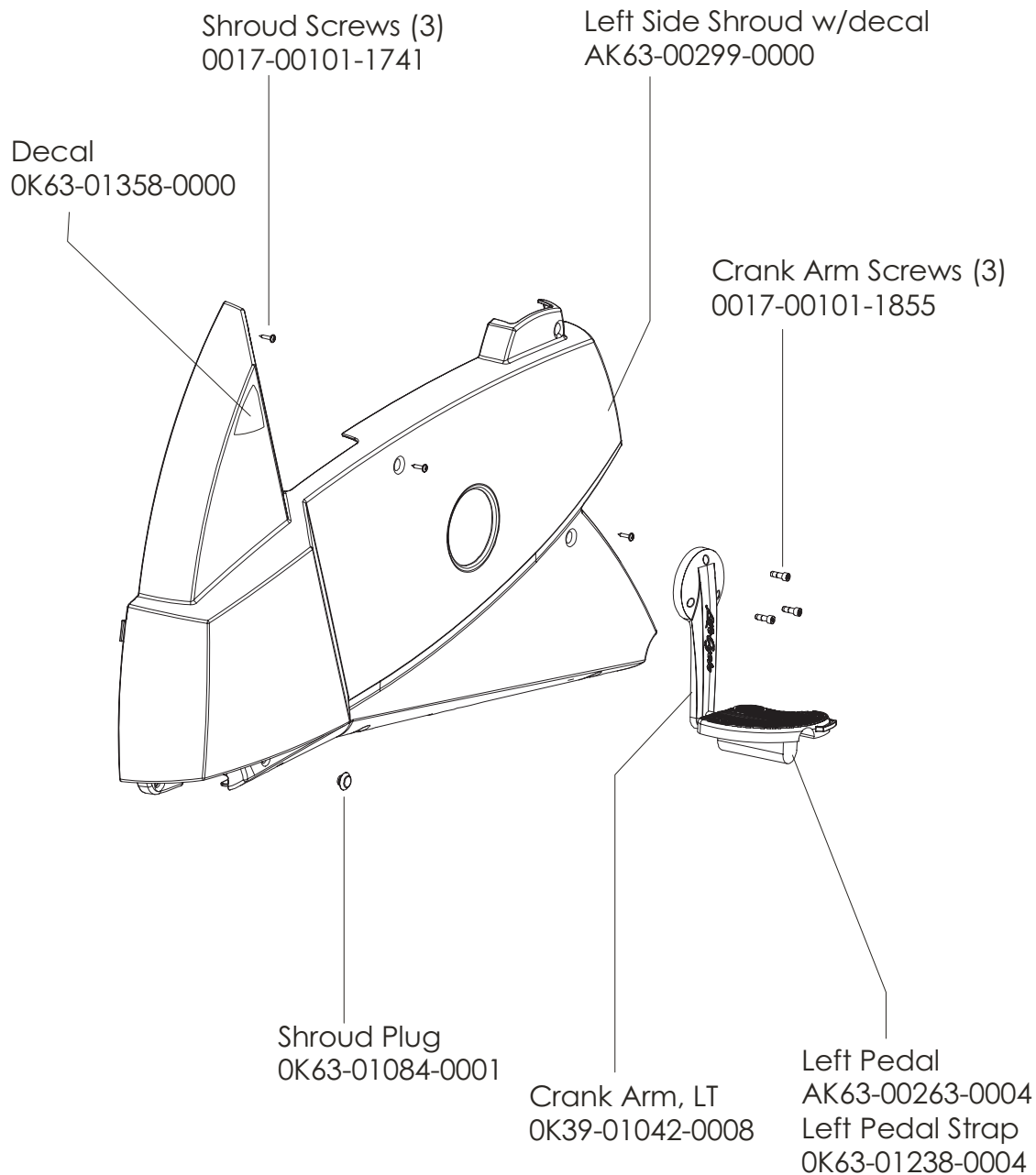
Screw
0017-00101-1741

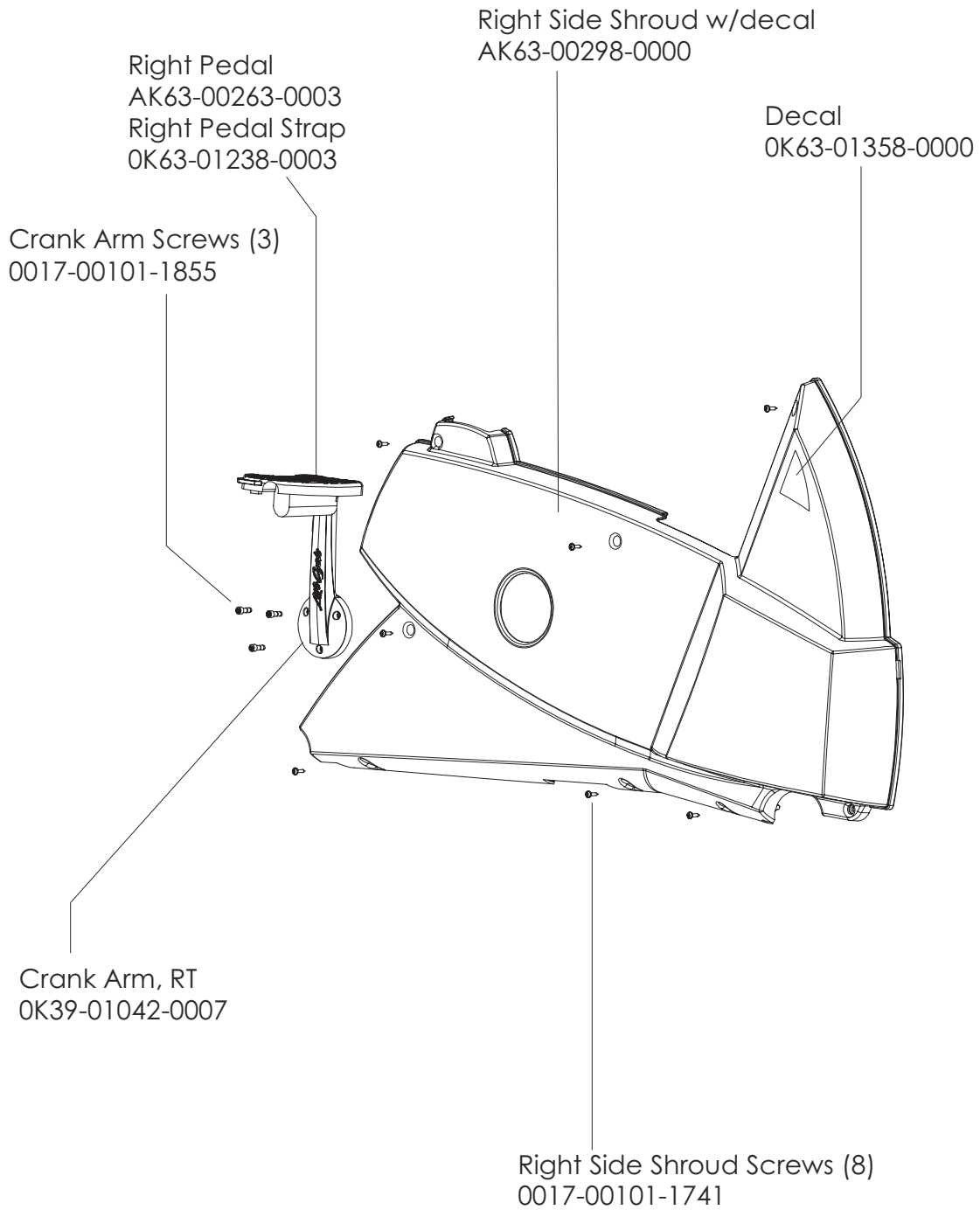


Right Seat Post Shroud
0K63-01092-0009

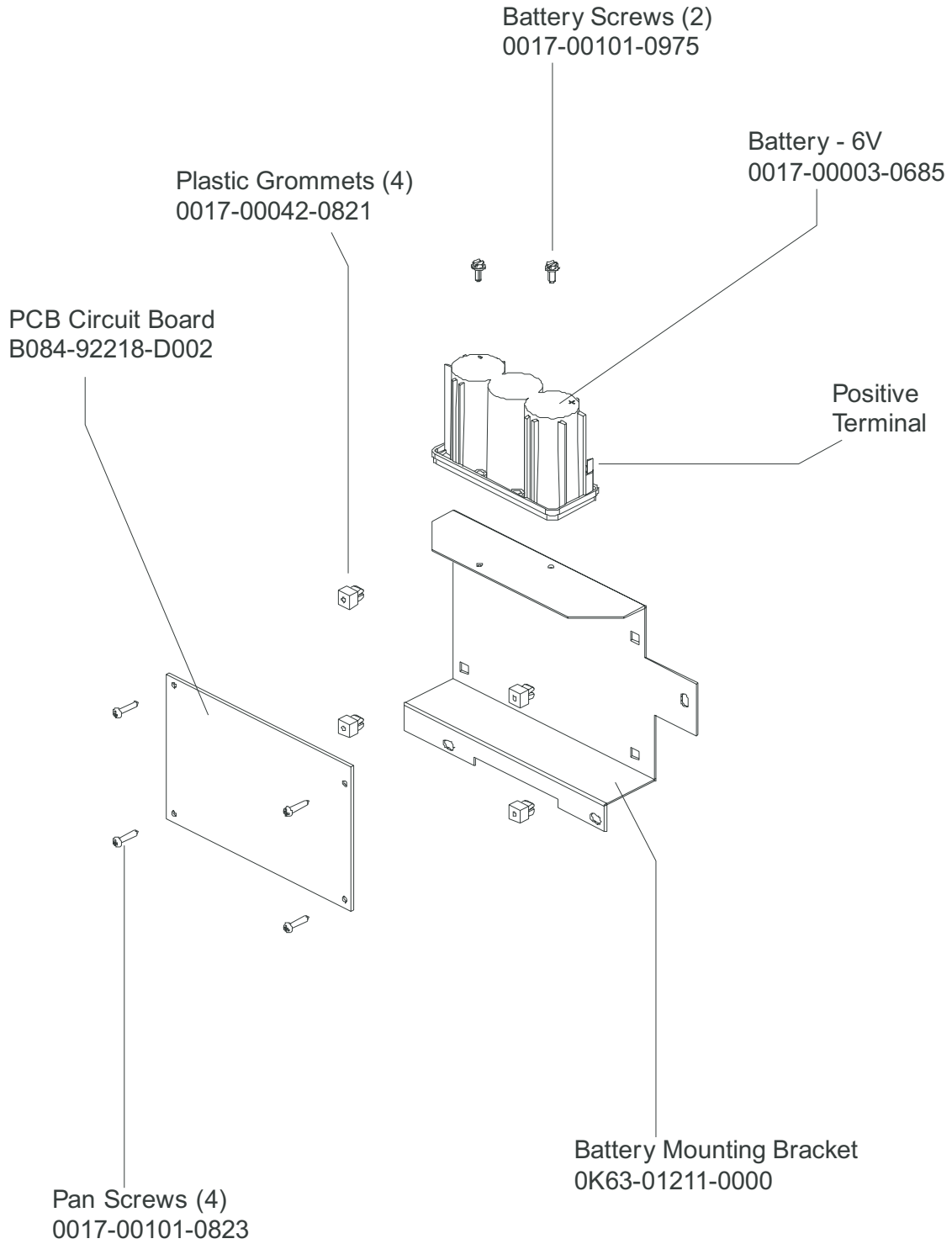




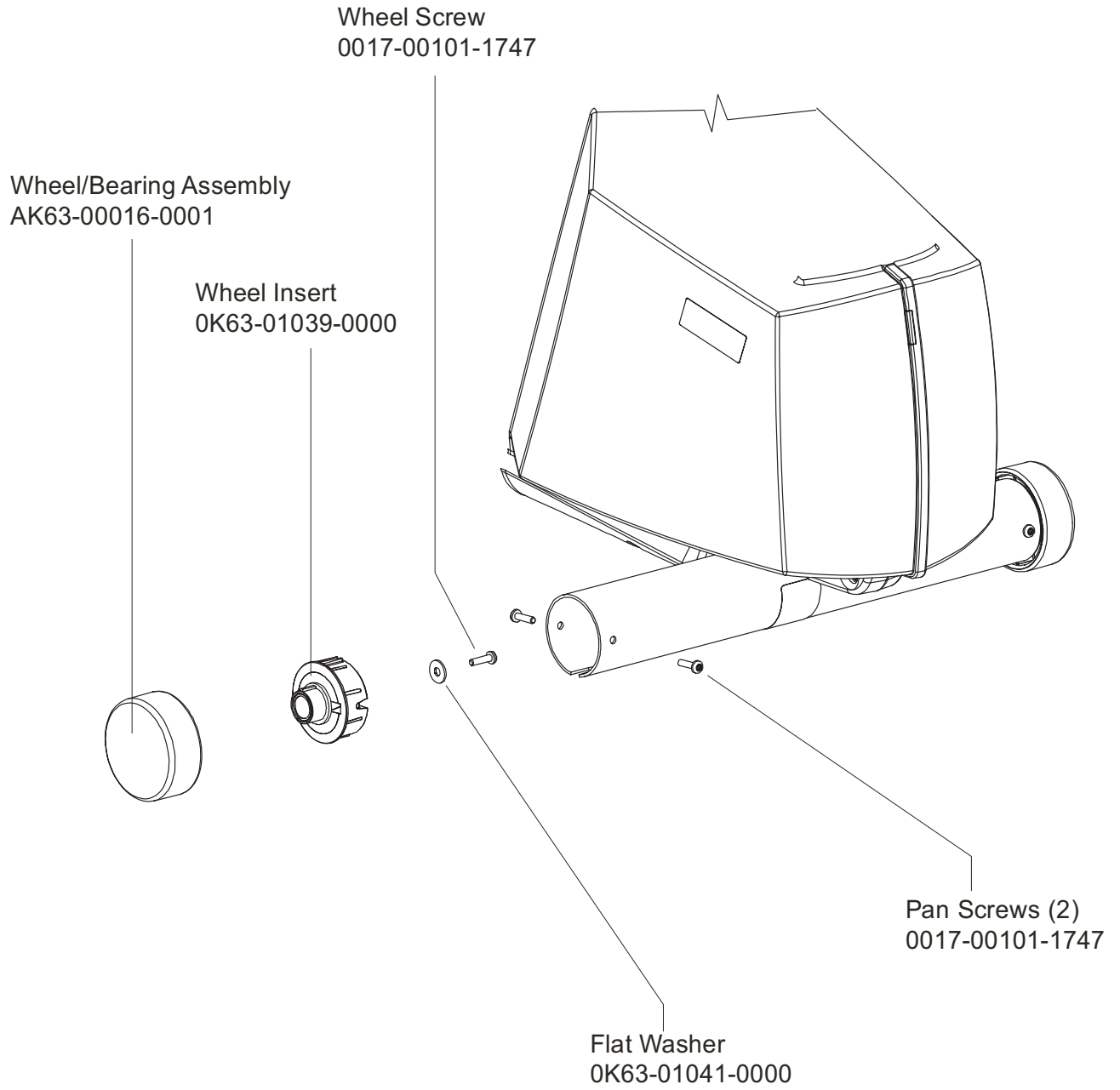


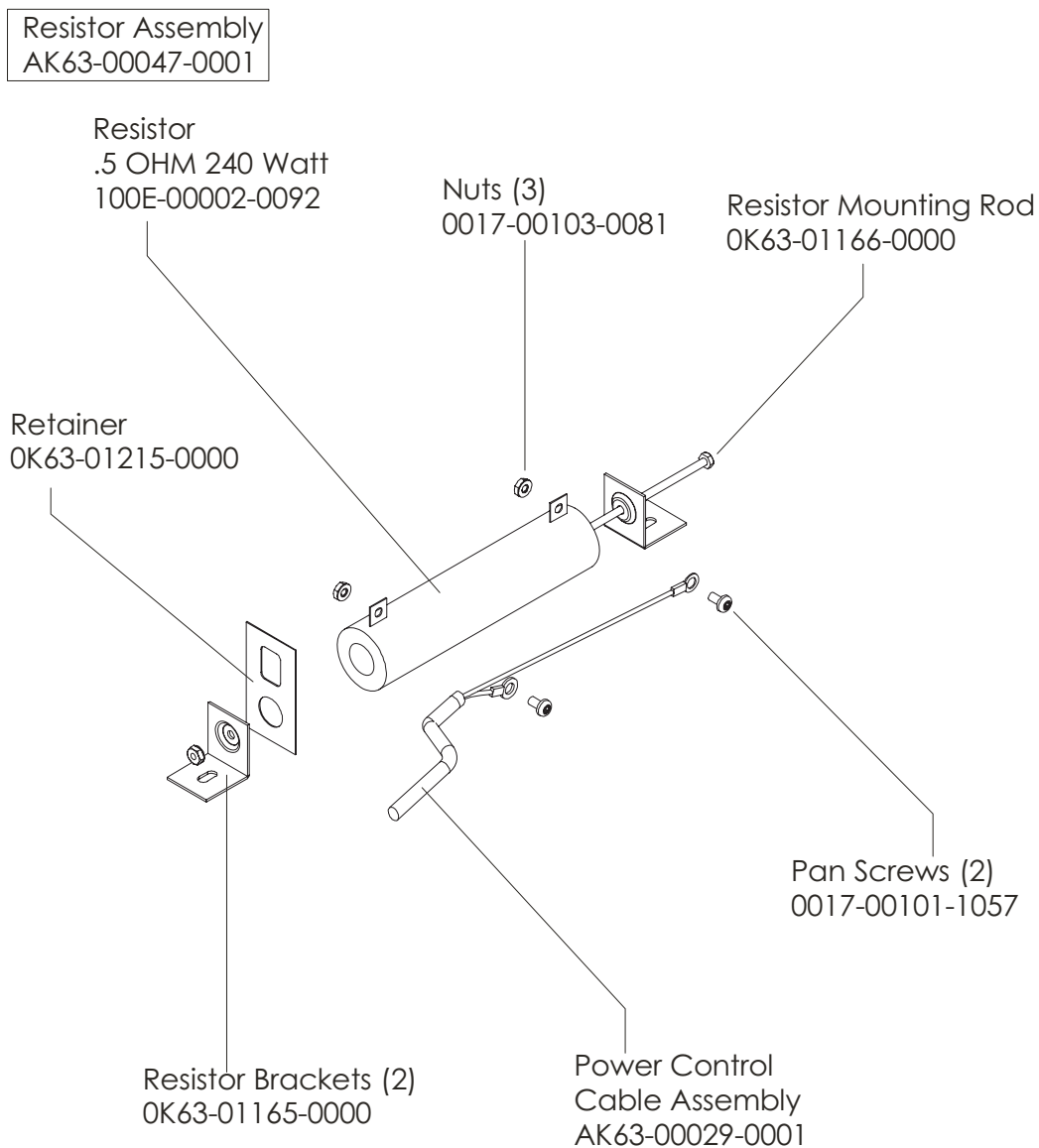


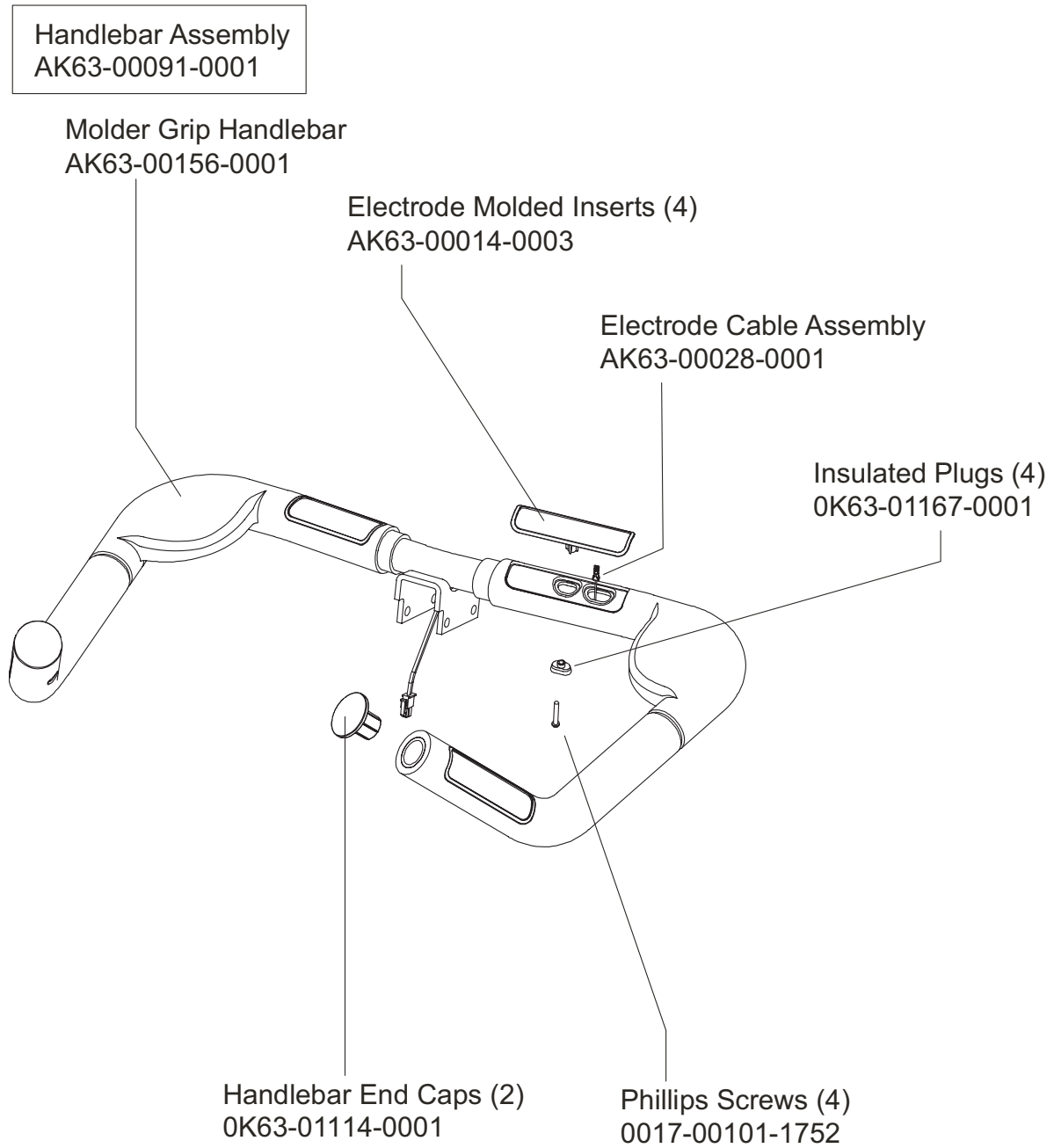
PCB Mounting Bracket Assembly
AK63-00049-0000

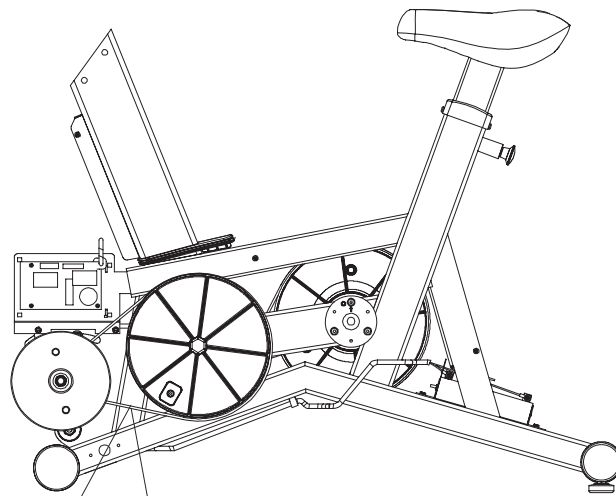


Front Wheels
AK63-00017-0001

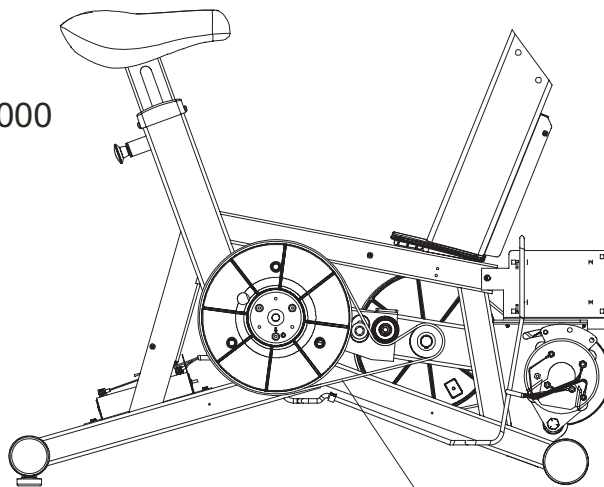








Alternator Belt
0K63-01065-0000



Intermediate Belt
0K63-01066-0001

