

ELEVATION SERIES UPRIGHT LIFECYCLE PARTS MANUAL

(95C-ALLXX-XX, 97C-ALLXX-XX, 95C-IFIXX-XX, PCSC-ALLXX-XX)

06.06.2014



LifeFitness
WHAT WE LIVE FOR

TABLE OF CONTENTS

Miscellaneous	1
Miscellaneous Part Numbers	1
Console Assembly	2
Consoles	2
Drive System	3
Pedals and Cranks	3
Base Frame Electronics	4
Generator and Related Components	4
Generator and Related Components - Alpha: CUC, CUB, CUI, PUC	6
Idler Assembly - Alpha: CUC, CUB, CUI, PUC	8
Cables.....	11
Lower Frame	11
Front Stabilizer and Components	11
Battery, Leg Leveler and Rear Stabilizer	12
Upper Frame	13
Monocolumn and Console Mounting Bracket	13
Shrouds - Console	15
Shrouds - Front and Seat.....	16
Shrouds (Left, Right, Step) and GBC Shield	17
Seat and Seat Post Components	18
Heart Rate System	20
Handlebar and Components.....	20

Miscellaneous Part Numbers

Item	Alpha Code*	Part Number	Description
MISC-001	ALX, CHV, CLV, AHC, ALC, PIC, PID, APS, ACP, AHP, PHD, CUC, CUB, CUI, PUC		Operation Manual, CD (Eng) (Available Online)
MISC-002	ALX, CHV, CLV, AHC, ALC, PIC, PID, APS, ACP, AHP, PHD, CUC, CUB, CUI, PUC	0017-00003-1051	+39V Power Supply (Standard For Units Equipped With 15" LCD Consoles, Optional For 7" LCD Consoles)
MISC-003	ALX, CHV, CLV, AHC, ALC, PIC, PID, APS, ACP, AHP, PHD, CUC, CUB, CUI, PUC	0017-00003-0704	Line Cord 10A, 125 V
MISC-003	ALX, CHV, CLV, AHC, ALC, PIC, PID, APS, ACP, AHP, PHD, CUC, CUB, CUI, PUC	0017-00003-0691	Line Cord Cont 10A, 250 V
MISC-003	ALX, CHV, CLV, AHC, ALC, PIC, PID, APS, ACP, AHP, PHD, CUC, CUB, CUI, PUC	0017-00003-0889	Line Cord Cont U.K. 10A
MISC-003	ALX, CHV, CLV, AHC, ALC, PIC, PID, APS, ACP, AHP, PHD, CUC, CUB, CUI, PUC	0017-00003-0918	Line Cord Cont Australia
MISC-004	ALX, CHV, CLV, AHC, ALC, PIC, PID, APS, ACP, AHP, PHD, CUC, CUB, CUI, PUC	0017-00008-0204	Arctic Silver Touch Up Paint: Spray Can
MISC-005	ALX, CHV, CLV, AHC, ALC, PIC, PID, APS, ACP, AHP, PHD, CUC, CUB, CUI, PUC	0017-00008-0205	Arctic Silver Touch Up Paint: .5 Oz Bottle W/ Applicator
MISC-006	ALX, CHV, CLV, AHC, ALC, PIC, PID, APS, ACP, AHP, PHD, CUC, CUB, CUI, PUC	0017-00008-0206	Arctic Silver Touch Up Paint: .33 Oz Pen
MISC-007	ALX, CHV, CLV, AHC, ALC, PIC, PID, APS, ACP, AHP, PHD, CUC, CUB, CUI, PUC	AK66-00036-0000	Bracket Assembly: Power/Coax Input Assembly
MISC-008	ALX, CHV, CLV, AHC, ALC, PIC, PID, APS, ACP, AHP, PHD, CUC, CUB, CUI, PUC	0K66-01063-0000	Power Coax Bracket
MISC-009	ALX, CHV, CLV, AHC, ALC, PIC, PID, APS, ACP, AHP, PHD, CUC, CUB, CUI, PUC	0017-00021-2846	F-type Panel Connector
MISC-010	ALX, CHV, CLV, AHC, ALC, PIC, PID, APS, ACP, AHP, PHD, CUC, CUB, CUI, PUC	0017-00021-2847	Phone Jack Receptacle
MISC-011	ALX, CHV, CLV, AHC, ALC, PIC, PID, APS, ACP, AHP, PHD, CUC, CUB, CUI, PUC	AK67-00038-0000	Hardware Bag
MISC-012	CUC, CUB, CUI, PUC	AK67-00122-0000	Hardware Bag

* Refer to first three letters of the product's Serial Number for the Alpha code

Console Assembly

Consoles



CN-001, CN-002



CN-007, CN-008,
CN-009



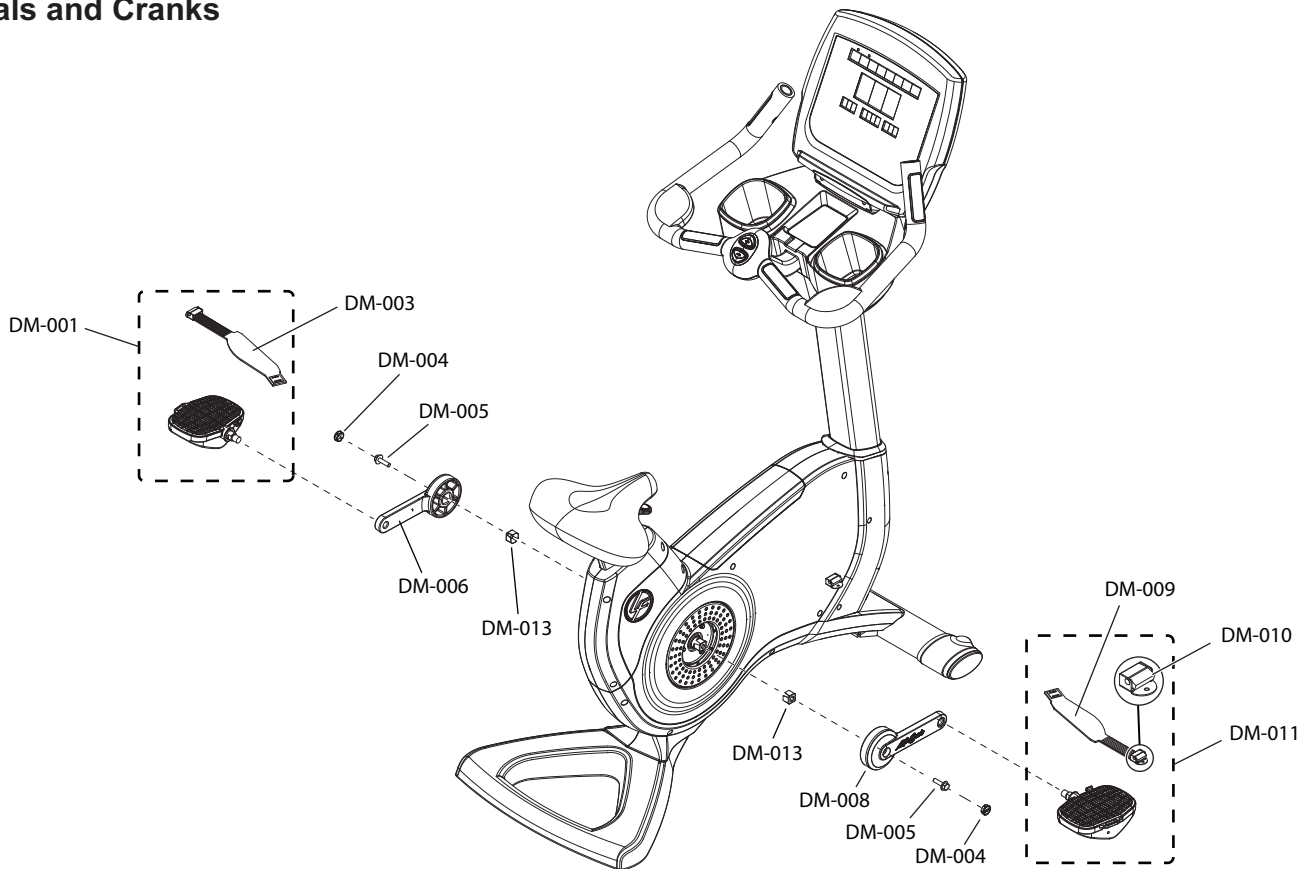
CN-003, CN-004,
CN-005, CN-006

Parts List

Item	Alpha Code	Part Number	Description
CN-001	ALX, CHV, CLV, AHC, ALC, PIC, PID, APS, ACP, AHP, PHD, CUC, CUB, CUI, PUC	07-DN-ALLXX-01	7-in LCD Bike/CT Console
CN-002	ALX, CHV, CLV, AHC, ALC, PIC, PID, APS, ACP, AHP, PHD, CUC, CUB, CUI, PUC	07DN-ALLXX-01R	7-in LCD Bike/CT Console (Refurbished)
CN-003	ALX, CHV, CLV, AHC, ALC, PIC, PID, APS, ACP, AHP, PHD, CUC, CUB, CUI, PUC	15DN-ALLXN-01	15-in LCD Bike/CT Console - NTSC
CN-004	ALX, CHV, CLV, AHC, ALC, PIC, PID, APS, ACP, AHP, PHD, CUC, CUB, CUI, PUC	15DN-ALLXN-01R	15-in LCD Bike/CT Console - NTSC (Refurbished)
CN-005	ALX, CHV, CLV, AHC, ALC, PIC, PID, APS, ACP, AHP, PHD, CUC, CUB, CUI, PUC	15DN-ALLXP-01	15-in LCD Bike/CT Console - PAL
CN-006	ALX, CHV, CLV, AHC, ALC, PIC, PID, APS, ACP, AHP, PHD, CUC, CUB, CUI, PUC	15DN-ALLXP-01R	15-in LCD Bike/CT Console - PAL (Refurbished)
CN-007	ALX, CHV, CLV, AHC, ALC, PIC, PID, APS, ACP, AHP, PHD, CUC, CUB, CUI, PUC	LEDN-DOMXX-01	LED Bike/CT Console - Domestic
CN-008	ALX, CHV, CLV, AHC, ALC, APS, ACP, AHP	LEDN-INTXX-01	LED Bike/CT Console - International
CN-009	PIC, PID, PHD	LEDN-IFIXX-01	LED Bike/CT Console - International IFI

Drive System

Pedals and Cranks

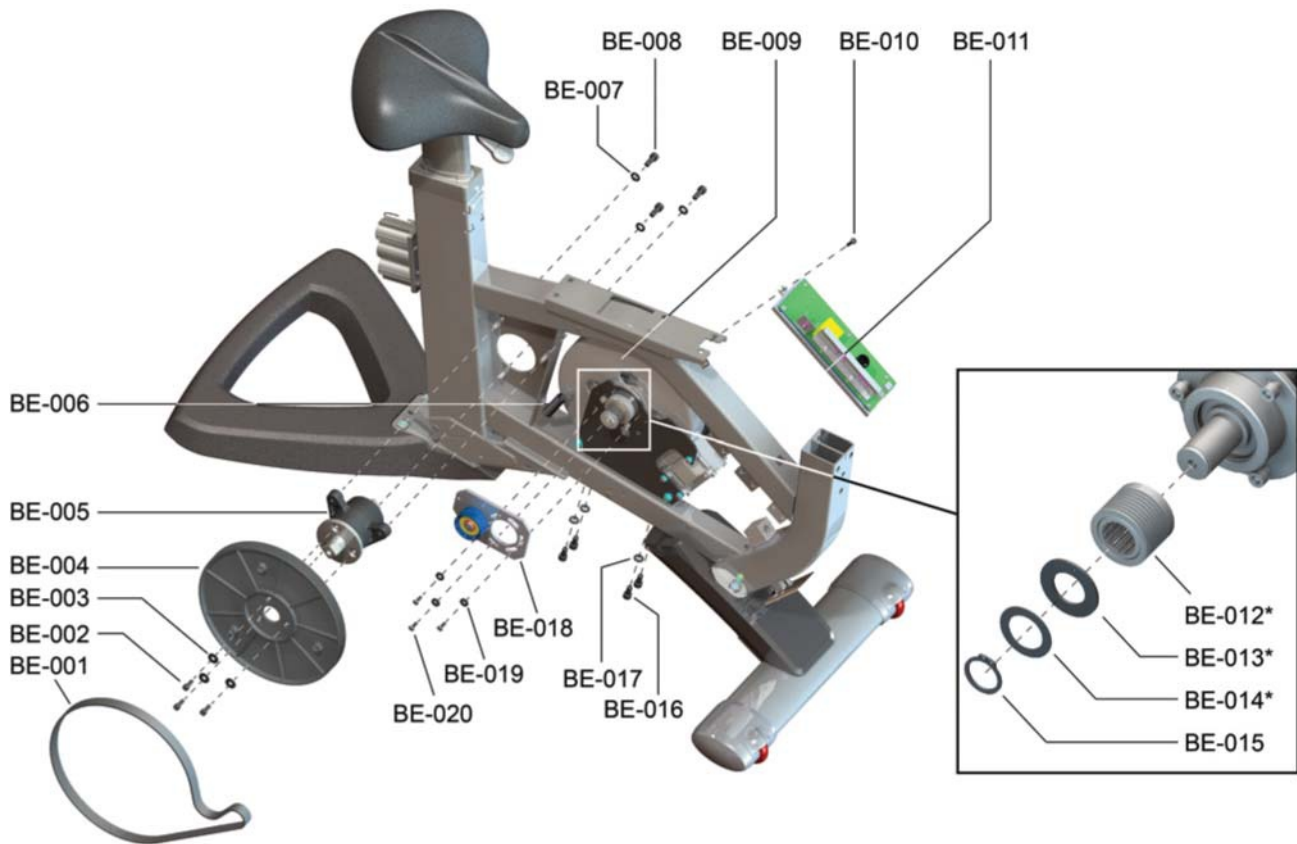


Item	Alpha Code	Part Number	Description
DM-001	CUC, CHB, PUC	AK66-00048-0001	Left Pedal w/ Strap Assembly
DM-001	CUI	AK66-00093-0001	Left Pedal w/ Strap Assembly for IFI
DM-003	CUC, CUB, PUC	AK66-00135-0000	Left Pedal Strap Only
DM-004	CUC, CUB, CUI, PUC	0K66-01121-0000	Crank Cap
DM-005	CUC, CUB, CUI, PUC	0017-00101-2077	M8 x 1.0 x 30 Crank Screw
DM-005	ALX, CHV, CLV, AHC, ALC, PIC, PID, APS, ACP, AHP, PHD	0017-00101-2043	M8 x 1.0 x 25 Crank Screw
DM-006	CUC, CUB, CUI, PUC	0K76-01053-0000	Left Crank Arm - Chrome
DM-006 *	ALX, CHV, CLV, AHC, ALC, PIC, PID, APS, ACP, AHP, PHD	0K66-01006-0108	Left Crank Arm - Arctic Silver
DM-008	CUC, CUB, CUI, PUC	0K76-01054-0000	Right Crank Arm - Chrome
DM-008 *	ALX, CHV, CLV, AHC, ALC, PIC, PID, APS, ACP, AHP, PHD	0K66-01006-0107	Right Crank Arm - Arctic Silver
DM-009	CUC, CUB, PUC	AK66-00136-0000	Right Pedal Strap Only
DM-009	CUI	0K66-01239-0000	Velcro Strap
DM-009	CUI	AK66-00141-0000	Strap Kit w/ Hardware for IFI: Includes Metal Buckle, Velcro Strap and Hardware
DM-010	CUI	0K66-01238-0000	Metal Buckle Only
DM-011	CUC, CUB, PUC	AK66-00047-0001	Right Pedal w/ Strap Assembly
DM-011	CUI	AK66-00092-0001	Right Pedal w/ Strap Assembly for IFI
DM-012	CUC, CUB, PUC	0K66-01069-0001	Right Pedal Only
DM-013	ALX, CHV, CLV, AHC, ALC, PIC, PID, APS, ACP, AHP, PHD	0K66-01096-0000	Crank Connector Plate

* When ordering please make sure to also order DM-013

Base Frame Electronics

Generator and Related Components - for Alpha Codes listed below



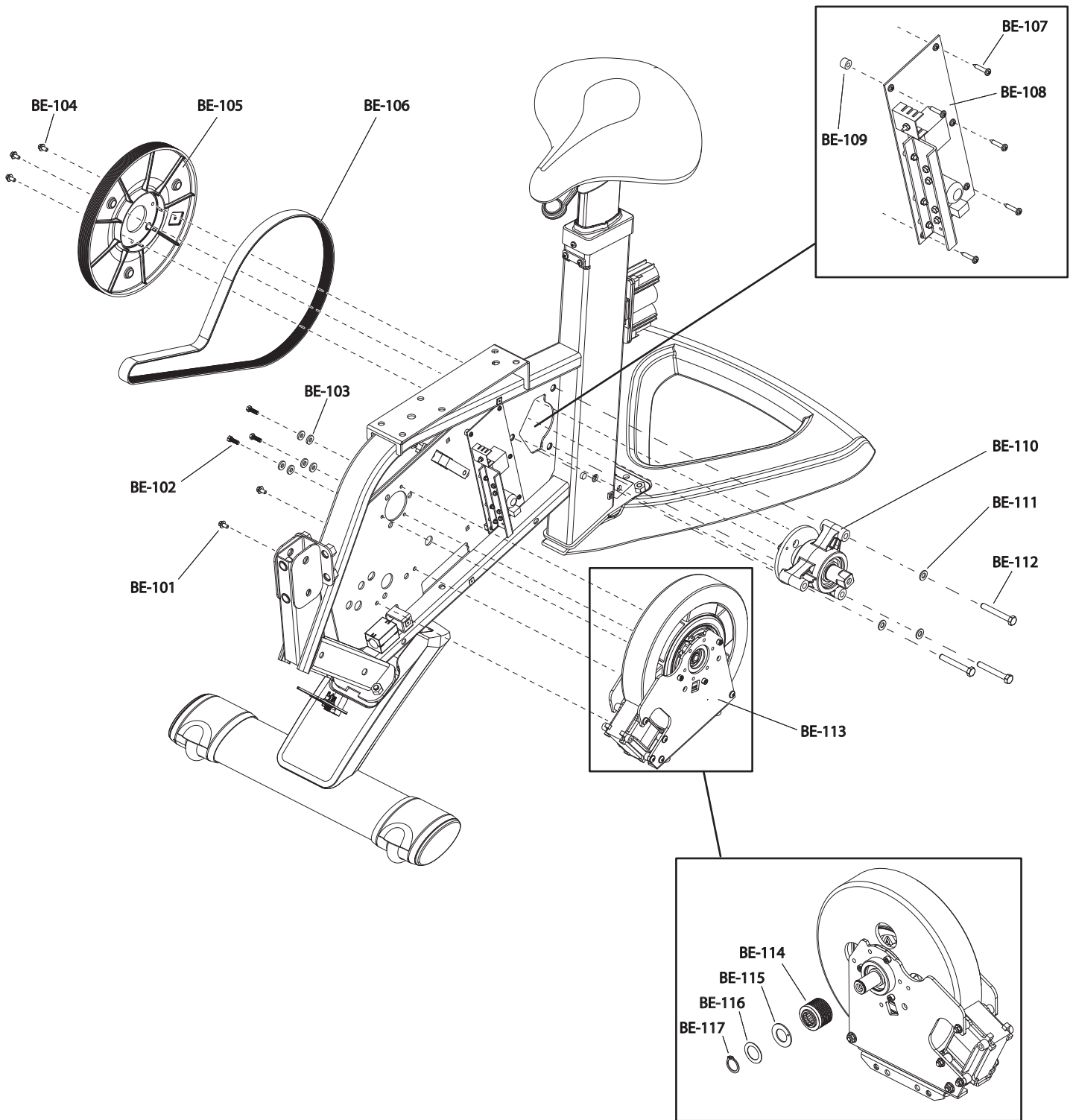
Parts List

Item	Alpha Code	Part Number	Description
BE-001	ALX, CHV, CLV, AHC, ALC, PIC, PID, APS, ACP, AHP, PHD	0017-00009-0837	Poly-V Drive Belt
BE-002	ALX, CHV, CLV, AHC, ALC, PIC, PID, APS, ACP, AHP, PHD	0017-00101-1891	Mounting Screw (3)
BE-003	ALX, CHV, CLV, AHC, ALC, PIC, PID, APS, ACP, AHP, PHD	0017-00104-0468	Washer (3)
BE-004	ALX, CHV, CLV, AHC, ALC, PIC, PID, APS, ACP, AHP, PHD	0K66-01005-0000	Pulley
BE-005	ALX, CHV, CLV, AHC, ALC, PIC, PID, APS, ACP, AHP, PHD	AK66-00003-0001	Crank/Hub Bearing Shaft Assembly
BE-006	ALX, CHV, CLV, AHC, ALC, PIC, PID, APS, ACP, AHP, PHD	0K66-01092-0000	Idler Spring
BE-007	ALX, CHV, CLV, AHC, ALC, PIC, PID, APS, ACP, AHP, PHD	0017-00104-0469	Washer (3)
BE-008	ALX, CHV, CLV, AHC, ALC, PIC, PID, APS, ACP, AHP, PHD	0017-00101-1881	Crank/Hub Mounting Screw (3)
BE-009	ALX, CHV, CLV, AHC, ALC, PIC, PID, APS, ACP, AHP, PHD	AK66-00138-0001	Generator/Brake Assembly
BE-010	ALX, CHV, CLV, AHC, ALC, PIC, PID, APS, ACP, AHP, PHD	0017-00101-1986	Mounting Screw (1)
BE-011	ALX, CHV, CLV, AHC, ALC, PIC, PID, APS, ACP, AHP, PHD	AK66-00100-0006	Generator Control Board Assembly

Item	Alpha Code	Part Number	Description
BE-012*	ALX, CHV, CLV, AHC, ALC, PIC, PID, APS, ACP, AHP, PHD	AK66-00139-0000	Clutch and Pulley Assembly
BE-013*	ALX, CHV, CLV, AHC, ALC, PIC, PID, APS, ACP, AHP, PHD	0K66-01237-0000	Shaft Washer Large (1)
BE-014*	ALX, CHV, CLV, AHC, ALC, PIC, PID, APS, ACP, AHP, PHD	0017-00104-0498	Shaft Washer Small (1)
BE-015	ALX, CHV, CLV, AHC, ALC, PIC, PID, APS, ACP, AHP, PHD	0017-00100-0257	Retaining Ring (1)
BE-016	ALX, CHV, CLV, AHC, ALC, PIC, PID, APS, ACP, AHP, PHD	0017-00101-1920	Generator Mounting Bolt (4)
BE-017	ALX, CHV, CLV, AHC, ALC, PIC, PID, APS, ACP, AHP, PHD	0017-00104-0469	Washer (4)
BE-018	ALX, CHV, CLV, AHC, ALC, PIC, PID, APS, ACP, AHP, PHD	AK66-00145-0000	Idler Assembly
BE-019	ALX, CHV, CLV, AHC, ALC, PIC, PID, APS, ACP, AHP, PHD	0017-00104-0330	Washer (3)
BE-020	ALX, CHV, CLV, AHC, ALC, PIC, PID, APS, ACP, AHP, PHD	0017-00101-1894	Idler Assembly Mounting Bolt (3)

* When purchasing clutch (Item BE-012), large and small shaft washers (Items BE-013, BE-014) must also be purchased.

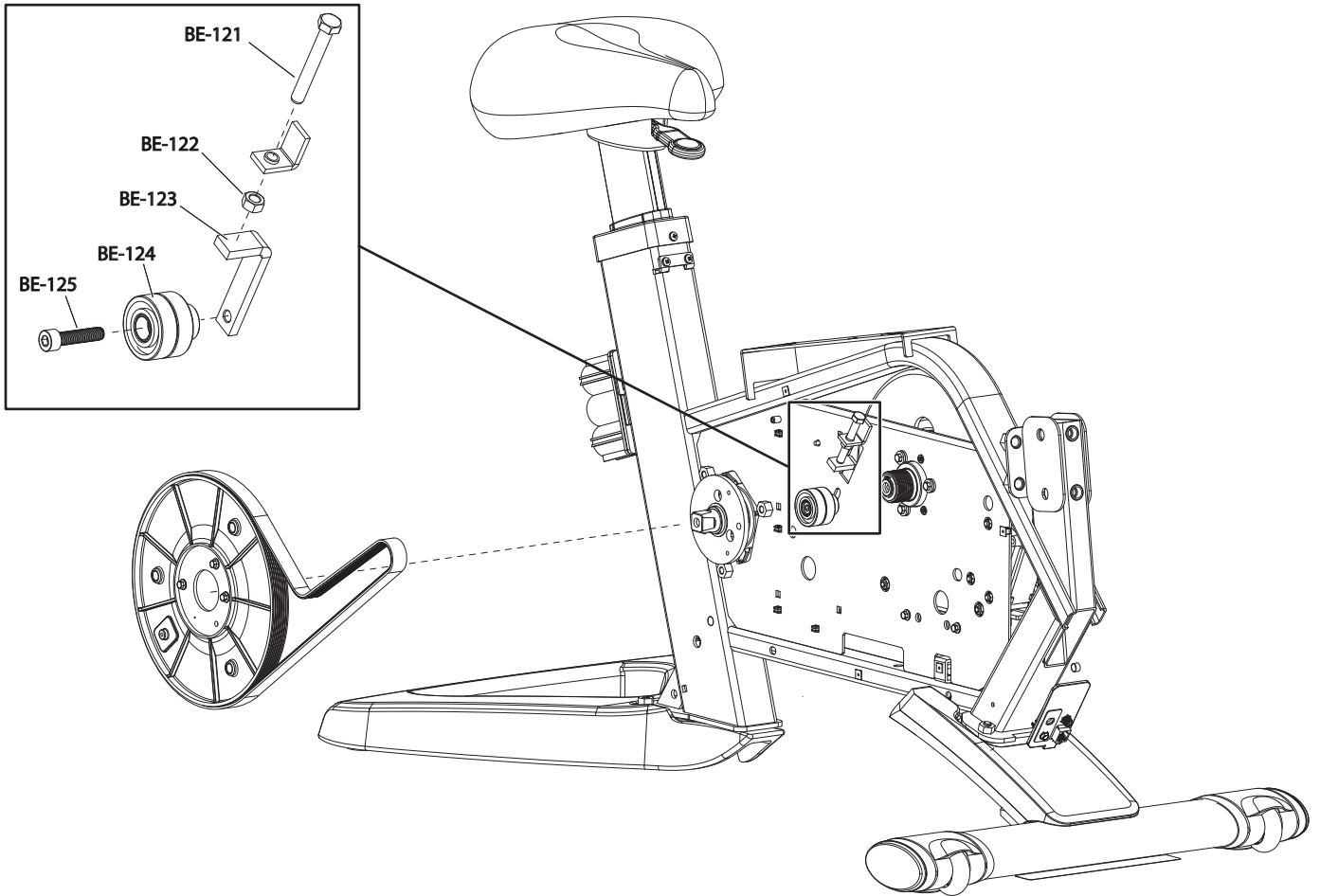
Generator and Related Components - for Alpha Codes: CUC, CUB, CUI, PUC



Parts List

Item	Alpha Code	Part Number	Description
BE-101	CUC, CUB, CUI, PUC	0017-00101-2102	Generator Mounting Bolt (2)
BE-102	CUC, CUB, CUI, PUC	0017-00101-1894	Generator Mounting Bolt (3)
BE-103	CUC, CUB, CUI, PUC	0017-00104-0330	Washer (6)
BE-104	CUC, CUB, CUI, PUC	0017-00101-2102	Mounting Screw (3)
BE-105	CUC, CUB, CUI, PUC	0K76-01068-0000	Pulley
BE-106	CUC, CUB, CUI, PUC	0017-00009-1298	Poly-V Drive Belt
BE-107	CUC, CUB, CUI, PUC	0017-00101-1838	Mounting Screw (3)
BE-108	CUC, CUB, CUI, PUC	A084-92363-0002	Generator Control Board Assembly
BE-109	CUC, CUB, CUI, PUC	0017-00042-1229	Grounding Spacer
BE-110	CUC, CUB, CUI, PUC	AK66-00151-0000	Crank/Hub Bearing Shaft Assembly
BE-111	CUC, CUB, CUI, PUC	0017-00104-0469	Washer (3)
BE-112	CUC, CUB, CUI, PUC	0017-00101-2002	Crank/Hub Mounting Screw (3)
BE-113	CUC, CUB, CUI, PUC	AK66-00172-0000	Generator/Brake Assembly with Pulley and Clutch
BE-114	CUC, CUB, CUI, PUC	AK66-00165-0000	Clutch and Pulley Assembly
BE-115	CUC, CUB, CUI, PUC	0K66-01237-0000	Shaft Washer Large (1)
BE-116	CUC, CUB, CUI, PUC	0017-00104-0498	Shaft Washer Small (1)
BE-117	CUC, CUB, CUI, PUC	0017-00100-0257	Retaining Ring (1)

Idler Assembly - for Alpha Codes: CUC, CUB, CUI, PUC



Parts List

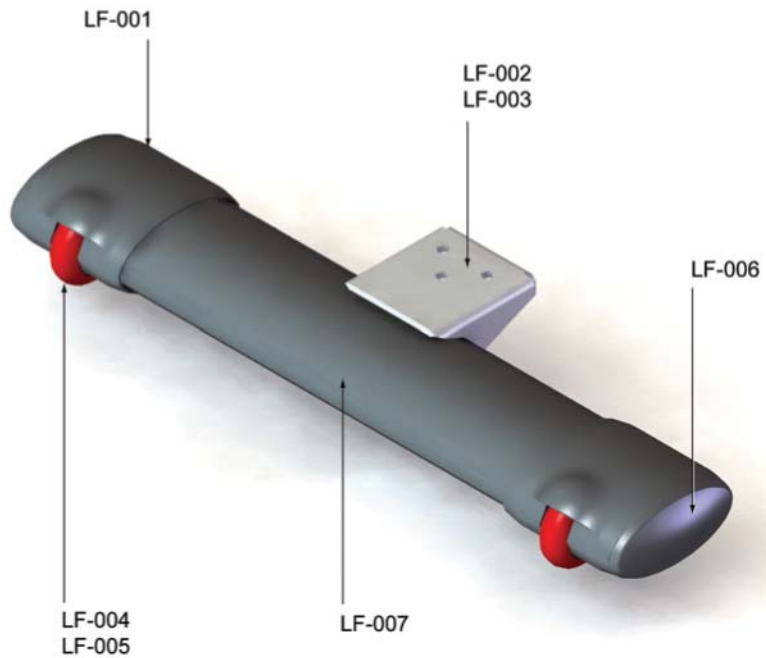
Item	Alpha Code	Part Number	Description
BE-121	CUC, CUB, CUI, PUC	0017-00101-2002	Idler Tension Screw
BE-122	CUC, CUB, CUI, PUC	0017-00103-0328	Idler Nut
BE-123	CUC, CUB, CUI, PUC	0K66-01254-0000	Idler Tensioner Bracket
BE-124	CUC, CUB, CUI, PUC	AK66-00146-0000	Idler Bearing Assembly
BE-125	CUC, CUB, CUI, PUC	0017-00101-1982	Idler bearing Screw

Parts List

Item	Alpha Code	Part Number	Description
BE-017	ALX, CHV, CLV, AHC, PIC, PID, APS, ACP,AHP, PHD	AK67-00106-0000	PCB to Console Cable
BE-017	ALC	AK67-00106-0001	Console Cable Assembly XXL
BE-018	ALX, CHV, CLV, AHC, PIC, PID, APS, ACP,AHP, PHD	AK67-00105-0000	Console/Handlebar Cable
BE-019	ALX, CHV, CLV, AHC, PIC, PID, APS, ACP,AHP, PHD	AK63-00028-0001	Lifepulse Cable Assembly
BE-020	ALX, CHV, CLV, AHC, PIC, PID, APS, ACP,AHP, PHD	AK67-00109-0000	Battery Cable
BE-021	ALX, CHV, CLV, AHC, PIC, PID, APS, ACP,AHP, PHD	0017-00003-0685	6V Battery
BE-022	ALX, CHV, CLV, AHC, PIC, PID, APS, ACP,AHP, PHD	AK66-00107-0000	Gen Brake Cable
BE-023	ALX, CHV, CLV, AHC, PIC, PID, APS, ACP,AHP, PHD	AK32-00160-0000	TV Power Cable
BE-024	ALX, CHV, CLV, AHC, PIC, PID, APS, ACP,AHP, PHD	AK65-00062-0000	Coax Assembly: RG6 Cable
BE-025	ALX, CHV, CLV, AHC, PIC, PID, APS, ACP,AHP, PHD	AK65-00051-0001	CSAFE Network Cable
BE-026	ALX, CHV, CLV, AHC, PIC, PID, APS, ACP,AHP, PHD	AK67-00108-0000	External Power Cable

Lower Frame

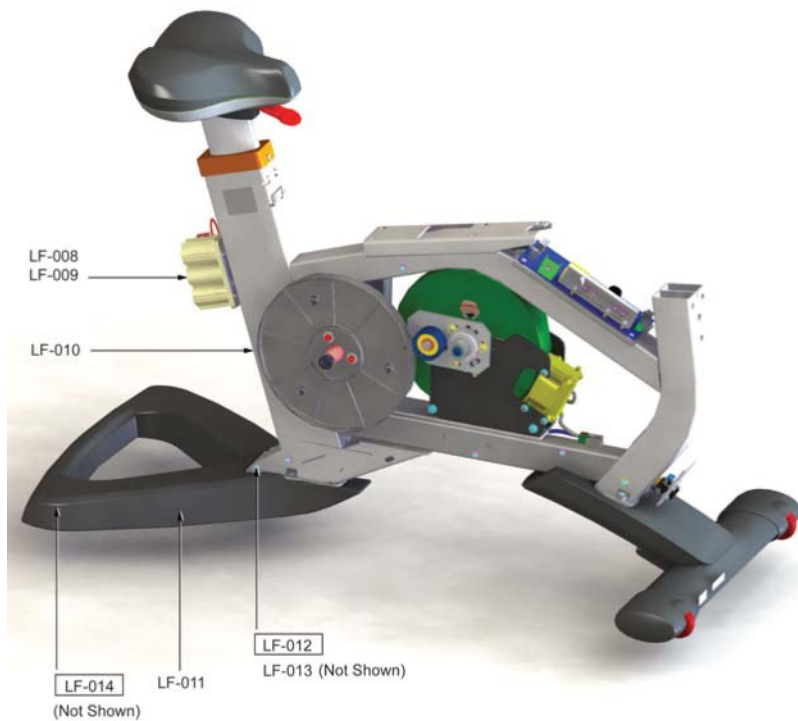
Front Stabilizer and Components



Parts List

Item	Alpha Code	Part Number	Description
LF-001	ALX, CHV, CLV, AHC, ALC, PIC, PID, APS, ACP, AHP, PHD, CUC, CUB, CUI, PUC	0K66-01041-0000	Front Stabilizer Shrouds
LF-002	ALX, CHV, CLV, AHC, ALC, PIC, PID, APS, ACP, AHP, PHD, CUC, CUB, CUI, PUC	0017-00101-1881	Stabilizer Mounting Screws
LF-003	ALX, CHV, CLV, AHC, ALC, PIC, PID, APS, ACP, AHP, PHD, CUC, CUB, CUI, PUC	0017-00104-0479	Washer
LF-004	ALX, CHV, CLV, AHC, ALC, PIC, PID, APS, ACP, AHP, PHD, CUC, CUB, CUI, PUC	0K66-01039-0000	Wheel
LF-005	ALX, CHV, CLV, AHC, ALC, PIC, PID, APS, ACP, AHP, PHD, CUC, CUB, CUI, PUC	0K66-01040-0000	Wheel Shaft
LF-006	ALX, CHV, CLV, AHC, ALC, PIC, PID, APS, ACP, AHP, PHD, CUC, CUB, CUI, PUC	0K66-01042-0000	Front Stabilizer End Caps
LF-007	ALX, CHV, CLV, AHC, ALC, PIC, PID, APS, ACP, AHP, PHD, CUC, CUB, CUI, PUC	AK66-00016-0000	Painted Stabilizer

Battery, Leg Leveler and Rear Stabilizer



Parts List

Item	Alpha Code	Part Number	Description
LF-008	ALX, CHV, CLV, AHC, ALC, PIC, PID, APS, ACP, AHP, PHD, CUC, CUB, CUI, PUC	0017-00003-0685	6V Battery
LF-009	ALX, CHV, CLV, AHC, ALC, PIC, PID, APS, ACP, AHP, PHD, CUC, CUB, CUI, PUC	0017-00101-2011	Battery Mounting Screw
LF-010	ALX, CHV, CLV, AHC, ALC, PIC, PID, APS, ACP, AHP, PHD, CUC, CUB, CUI, PUC	0K67-01013-0000	Seat Post Rack
LF-011	ALX, CHV, CLV, AHC, ALC, PIC, PID, APS, ACP, AHP, PHD, CUC, CUB, CUI, PUC	0K66-01131-0000	Rear Stabilizer
LF-012	ALX, CHV, CLV, AHC, ALC, PIC, PID, APS, ACP, AHP, PHD, CUC, CUB, CUI, PUC	0017-00101-1882	Rear Stabilizer Screw
LF-013	ALX, CHV, CLV, AHC, ALC, PIC, PID, APS, ACP, AHP, PHD, CUC, CUB, CUI, PUC	0017-00104-0469	Washer
LF-014	ALX, CHV, CLV, AHC, ALC, PIC, PID, APS, ACP, AHP, PHD, CUC, CUB, CUI, PUC	AK62-00124-0000	Leg Leveler

Upper Frame

Monocolumn and Console Mounting Bracket



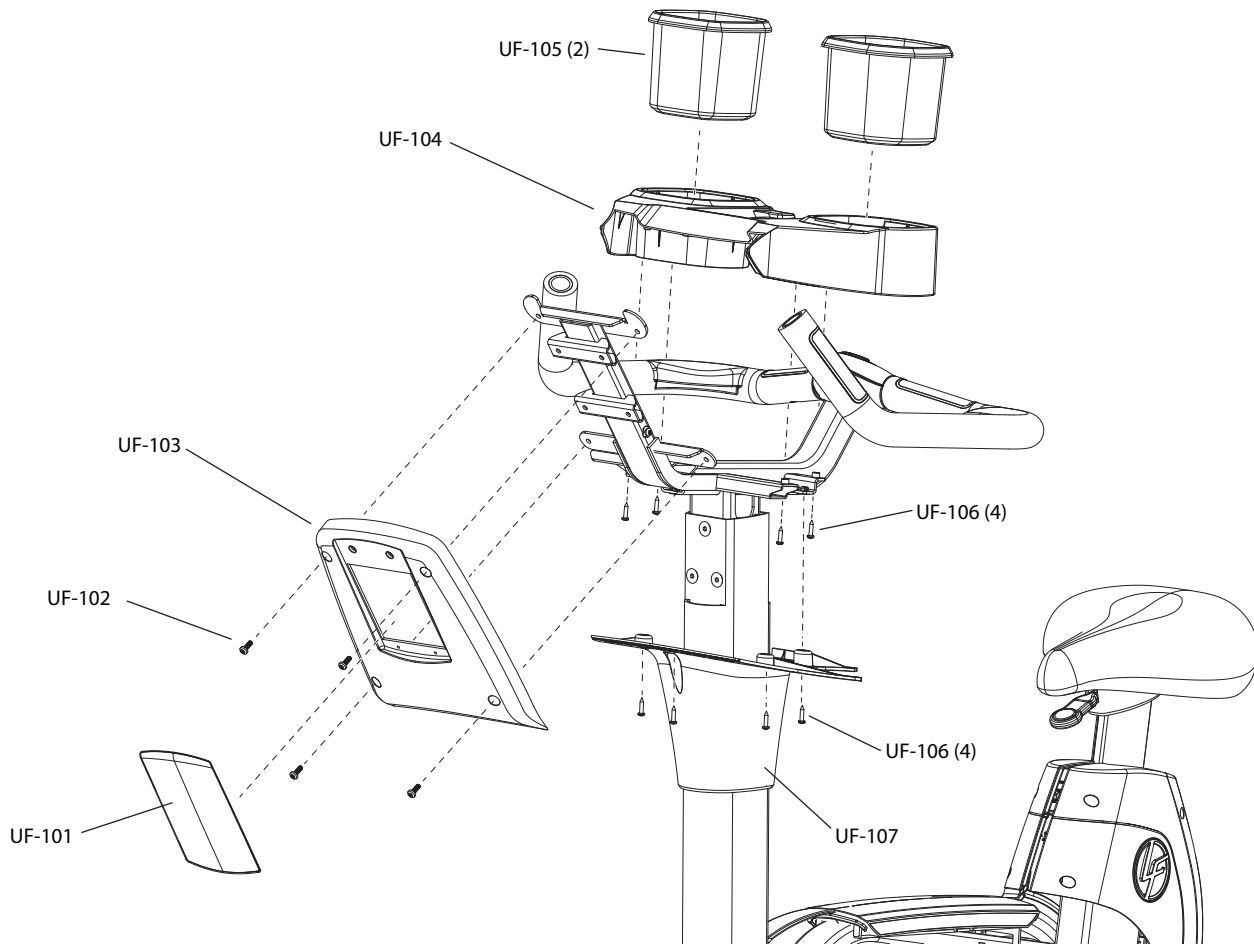
Parts List

Item	Alpha Code	Part Number	Description
UF-001	ALX, CHV, CLV, AHC, ALC, PIC, PID, APS, ACP, AHP, PHD, CUC, CUB, CUI, PUC	AK67-00105-0000	Ground Cable (Support to console)
UF-002	ALX, CHV, CLV, AHC, ALC, PIC, PID, APS, ACP, AHP, PHD, CUC, CUB, CUI, PUC	0017-00101-1986	Mounting Screw
UF-003	ALX, CHV, CLV, AHC, ALC, PIC, PID, APS, ACP, AHP, PHD, CUC, CUB, CUI, PUC	0017-00104-0460	Internal Tooth Lockwasher
UF-004	ALX, CHV, CLV, AHC, ALC, PIC, PID, APS, ACP, AHP, PHD, CUC, CUB, CUI, PUC	AK67-00029-0000	Level Control Assembly
UF-005	ALX, CHV, CLV, AHC, ALC, PIC, PID, APS, ACP, AHP, PHD, CUC, CUB, CUI, PUC	0K67-01051-0000	Bottom Handlebar Cover
UF-006	ALX, CHV, CLV, AHC, ALC, PIC, PID, APS, ACP, AHP, PHD, CUC, CUB, CUI, PUC	AK67-00024-0000	Console Mounting Bracket Assembly
UF-007	ALX, CHV, CLV, AHC, ALC, PIC, PID, APS, ACP, AHP, PHD, CUC, CUB, CUI, PUC	0017-00101-2019	Mounting Screw
UF-008	ALX, CHV, CLV, AHC, ALC, PIC, PID, APS, ACP, AHP, PHD, CUC, CUB, CUI, PUC	0017-00103-0341	Hex Nut
UF-009*	ALX, CHV, CLV, AHC, PIC, PID, APS, ACP, AHP, PHD	0K67-01053-0002	Monocolumn
UF-009*	CUC, CUB, CUI, PUC	0K67-01129-0000	Monocolumn
UF-009*	ALC	0K67-01053-0003	Monocolumn

* Refer to Alpha Code for correct Monocolumn

Item	Alpha Code	Part Number	Description
UF-010	ALX, CHV, CLV, AHC, ALC, PIC, PID, APS, ACP, AHP, PHD	0017-00101-2035	Mounting Screw (3)
UF-011	ALX, CHV, CLV, AHC, ALC, PIC, PID, APS, ACP, AHP, PHD	0017-00104-0469	Washer (3)
UF-012	ALX, CHV, CLV, AHC, ALC, PIC, PID, APS, ACP, AHP, PHD, CUC, CUB, CUI, PUC	0K67-01039-0000	Upright Gasket
UF-053	CUC, CUB, CUI, PUC	AK66-00158-0000	Nut Plate
UF-054	ALX, CHV, CLV, AHC, ALC, PIC, PID, APS, ACP, AHP, PHD	0K67-01118-0000	Bracket Plate

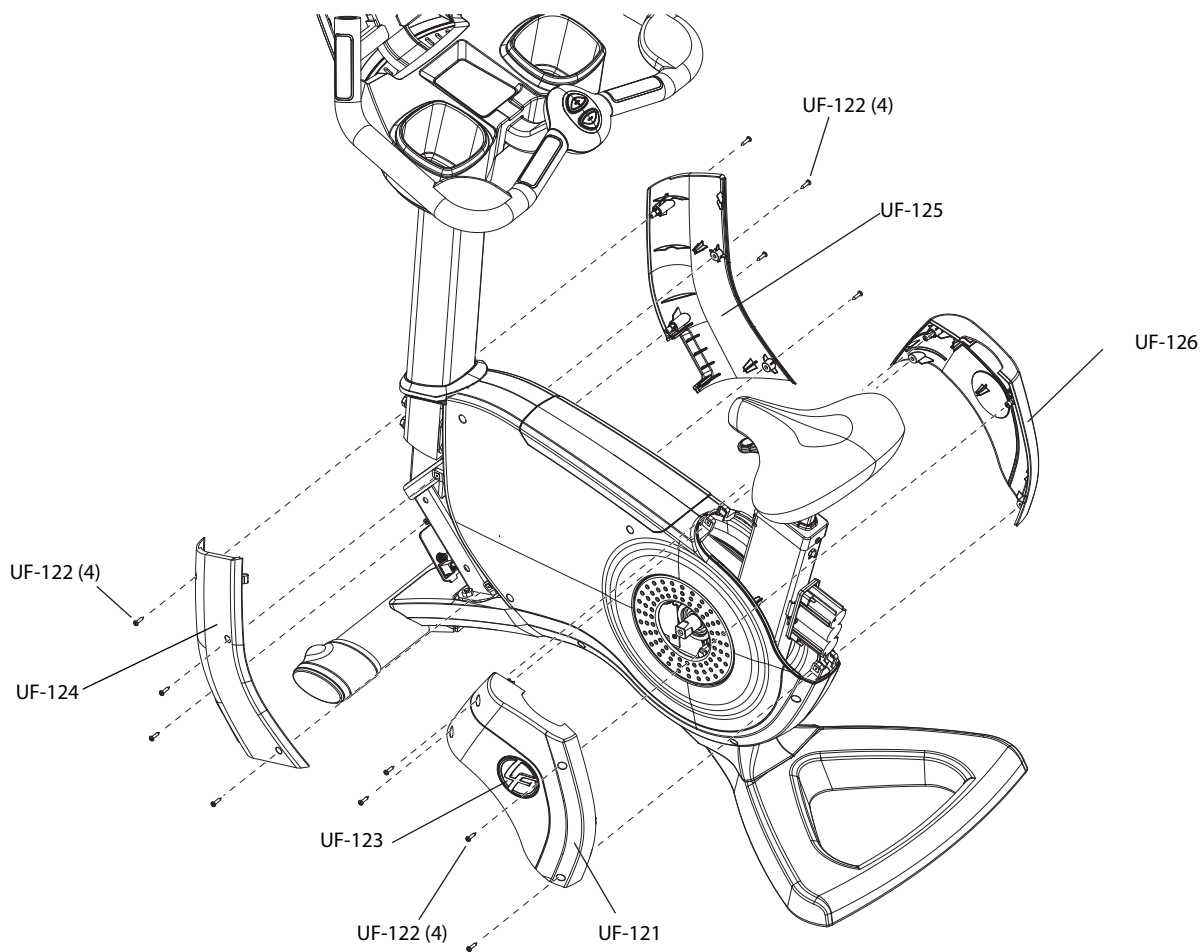
Shrouds - Console



Parts List

Item	Alpha Code	Part Number	Description
UF-101	ALX, CHV, CLV, AHC, ALC, PIC, PID, APS, ACP, AHP, PHD, CUC, CUB, CUI, PUC	0K67-01061-0000	Middle Cover
UF-102	ALX, CHV, CLV, AHC, ALC, PIC, PID, APS, ACP, AHP, PHD, CUC, CUB, CUI, PUC	0017-00101-1940	Mounting Screws
UF-103	ALX, CHV, CLV, AHC, ALC, PIC, PID, APS, ACP, AHP, PHD, CUC, CUB, CUI, PUC	0K67-01040-0000	Rear Console Cover
UF-104	ALX, CHV, CLV, AHC, ALC, PIC, PID, APS, ACP, AHP, PHD, CUC, CUB, CUI, PUC	AK67-00019-0000	Console Shroud, Top
UF-105	ALX, CHV, CLV, AHC, ALC, PIC, PID, APS, ACP, AHP, PHD, CUC, CUB, CUI, PUC	0K67-01055-0000	Cup Holder
UF-106	ALX, CHV, CLV, AHC, ALC, PIC, PID, APS, ACP, AHP, PHD, CUC, CUB, CUI, PUC	0017-00101-1796	Mounting Screws (8 total)
UF-107	ALX, CHV, CLV, AHC, ALC, PIC, PID, APS, ACP, AHP, PHD, CUC, CUB, CUI, PUC	0K67-01041-0000	Console Shroud, Bottom

Shrouds - Front and Seat

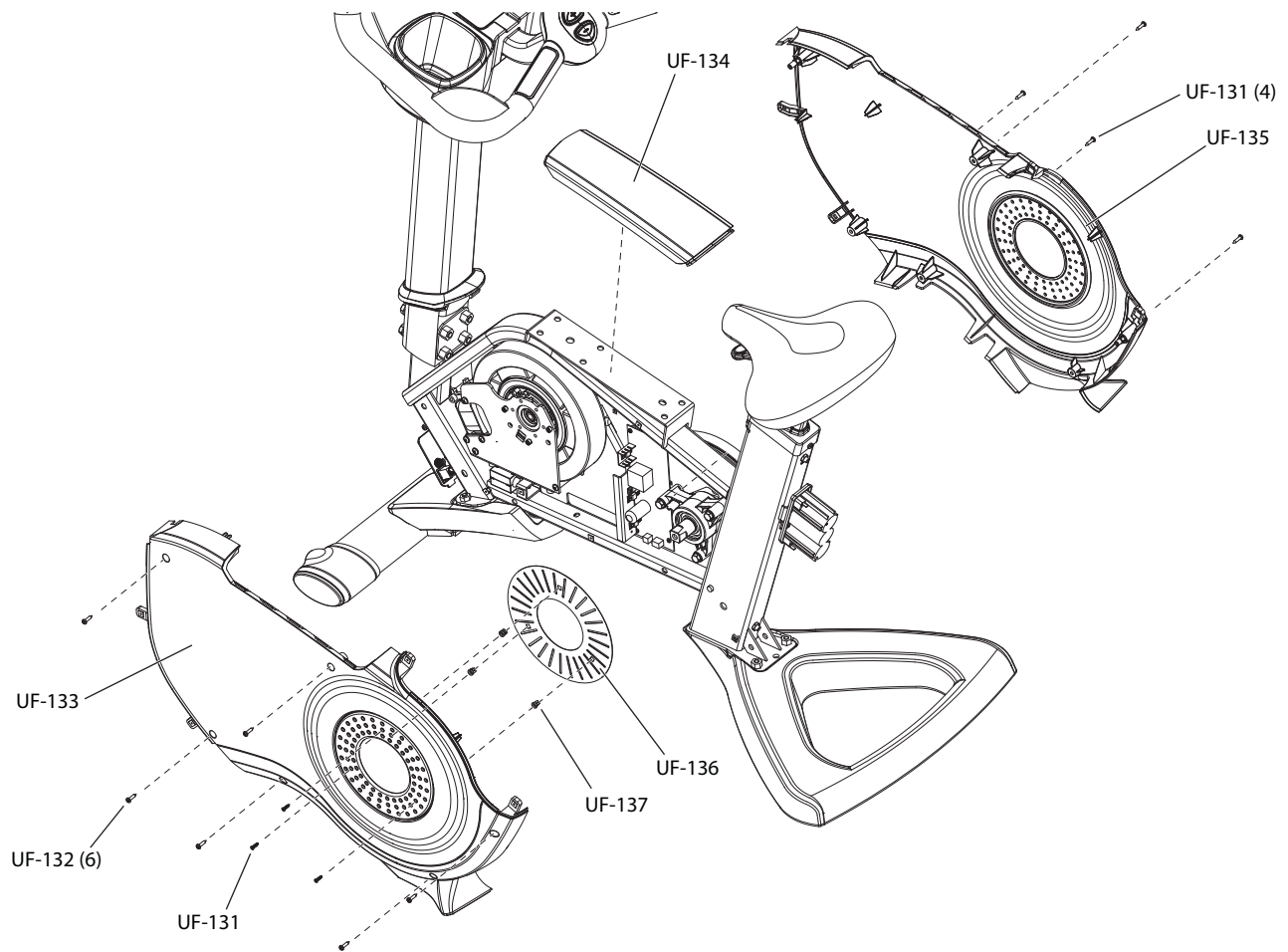


Parts List

Item	Alpha Code	Part Number	Description
UF-121*	ALX, CHV, CLV, AHC, ALC, PIC, PID, AHP, PHD	AK67-00051-0002	Left Seat Post Shroud LF Decal Shadow Gray
UF-121*	APS, ACP	AK67-00051-0001	Left Seat Post Shroud CS Decal Shadow Gray
UF-122	ALX, CHV, CLV, AHC, ALC, PIC, PID, APS, ACP, AHP, PHD, CUC, CUB, CUI, PUC	0017-00101-1796	Mounting Screws
UF-123	ALX, CHV, CLV, AHC, ALC, PIC, APS, ACP, AHP, PHD	0K65-01264-0000	LF Bug
UF-123	ALX, CHV, CLV, AHC, ALC, PIC, APS, ACP, AHP, PHD	0K65-01264-0000	LF Bug
UF-124	ALX, CHV, CLV, AHC, ALC, PIC, PID, APS, ACP, AHP, PHD, CUC, CUB, CUI, PUC	0K67-01033-0000	Left Front Shroud
UF-125	ALX, CHV, CLV, AHC, ALC, PIC, PID, APS, ACP, AHP, PHD, CUC, CUB, CUI, PUC	AK67-00049-0000	Right Front Shroud
UF-126*	ALX, CHV, CLV, AHC, ALC, PIC, PID, AHP, PHD	AK67-00050-0002	Right Seat Post Shroud LF Decal Shadow Gray
UF-126*	APS, ACP	AK67-00050-0001	Right Seat Post Shroud CS Decal Shadow Gray

* Two-tone shrouds no longer available

Shrouds (Left, Right, Step) and GBC Shield

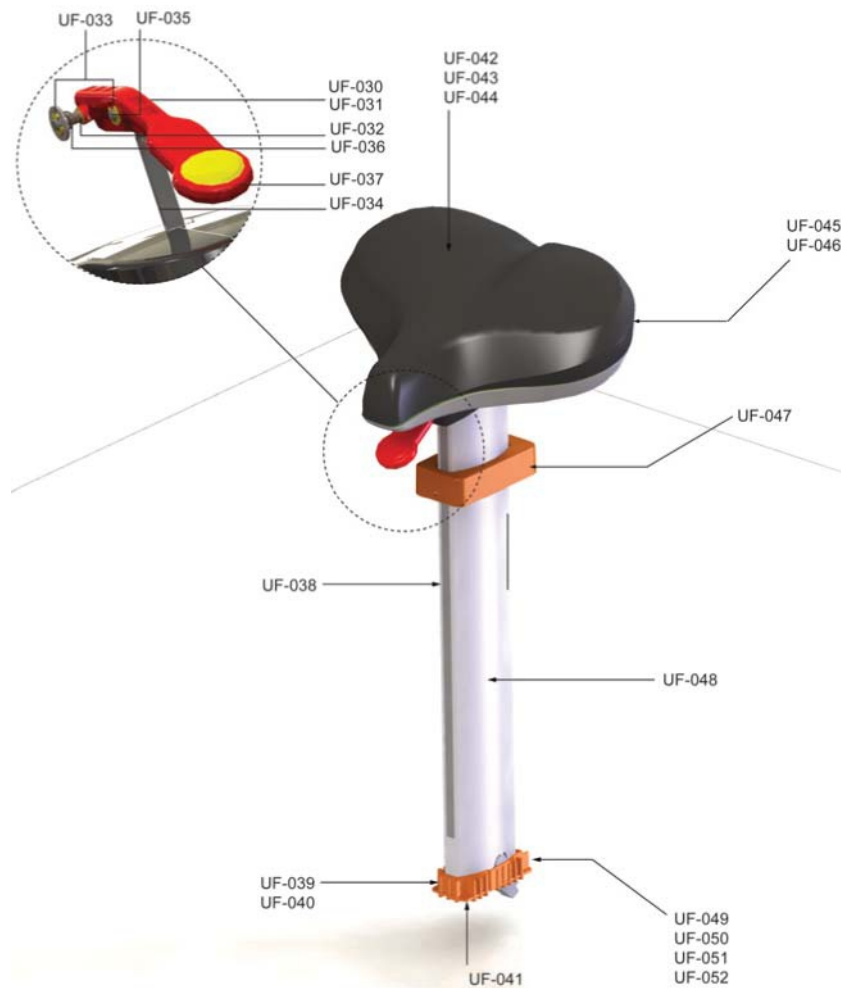


Parts List

Item	Alpha Code	Part Number	Description
UF-131	CUC, CUB, CUI, PUC	0017-00101-2103	Screw (3)
UF-132	ALX, CHV, CLV, AHC, ALC, PIC, PID, APS, ACP, AHP, PHD, CUC, CUB, CUI, PUC	0017-00101-1796	Mounting Screws (10 total)
UF-133*	APS, ACP, PUC	AK67-00033-0006	Left Main Shroud CS Decal Shadow Gray & Vents
UF-133*	ALX, CLV, PIC, PID, PHD, CUC, CUB, CUI	AK67-00033-0004	Left Main Shroud LF Decal Shadow Gray & Vents
UF-133*	ALC	AK67-00053-0005	Left Main Shroud LF Decal Shadow Gray & Vents
UF-134	ALX, CHV, CLV, AHC, ALC, PIC, PID, APS, ACP, AHP, PHD, CUC, CUB, CUI, PUC	0K67-01038-0000	Step Shroud
UF-135*	APS, ACP, PUC	AK67-00032-0006	Right Main Shroud CS Decal Shadow Gray & Vents
UF-135*	ALX, CLV, PIC, PID, PHD, CUC, CUB, CUI	AK67-00032-0004	Right Main Shroud LF Decal Shadow Gray & Vents
UF-135*	ALC	AK67-00052-0005	Right Main Shroud LF Decal Shadow Gray & Vents
UF-136	CUC, CUB, CUI, PUC	0K66-01267-0000	GBC Shield
UF-137	CUC, CUB, CUI, PUC	0017-00042-1134	Grommet (3)

* Two-tone shrouds no longer available

Seat and Seat Post Components



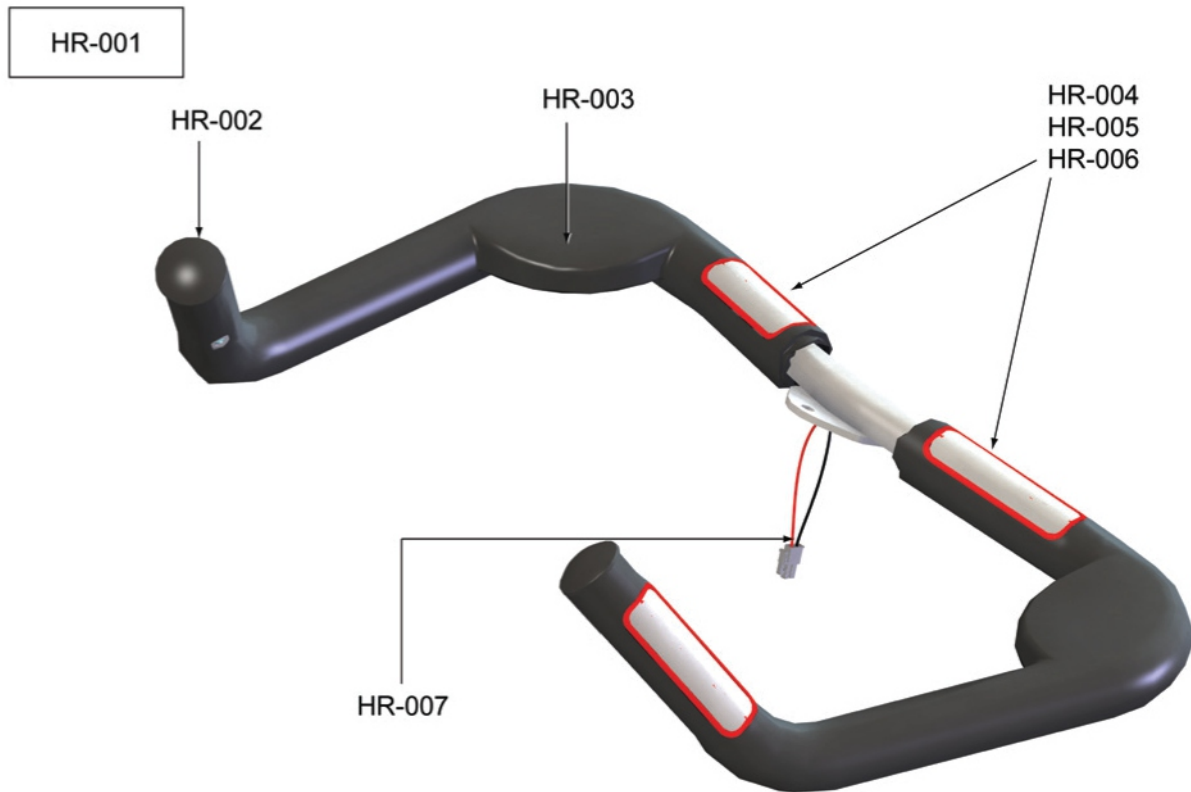
Parts List

Item	Alpha Code	Part Number	Description
UF-030	ALX, CHV, CLV, AHC, ALC, APS, ACP, AHP, CUC, CUB, PUC	0K67-01111-0000	Up/Down Handle
UF-031	PIC, PID, PHD, CUI	0K67-01111-0001	Up/Down Handle for IFI
UF-032	ALX, CHV, CLV, AHC, ALC, PIC, PID, APS, ACP, AHP, PHD, CUC, CUB, CUI, PUC	0K67-01112-0000	Handle Pivot Pin
UF-033	ALX, CHV, CLV, AHC, ALC, PIC, PID, APS, ACP, AHP, PHD, CUC, CUB, CUI, PUC	0017-00100-0250	E-Rings
UF-034	ALX, CHV, CLV, AHC, ALC, PIC, PID, APS, ACP, AHP, PHD, CUC, CUB, CUI, PUC	0K67-01008-0000	Up/Down Rod
UF-035	ALX, CHV, CLV, AHC, ALC, PIC, PID, APS, ACP, AHP, PHD, CUC, CUB, CUI, PUC	0K67-01014-0000	Rod Pins
UF-036	ALX, CHV, CLV, AHC, ALC, PIC, PID, APS, ACP, AHP, PHD, CUC, CUB, CUI, PUC	0017-00009-1285	Ware Spring
UF-037	ALX, CHV, CLV, AHC, ALC, PIC, PID, APS, ACP, AHP, PHD, CUC, CUB, CUI, PUC	0017-00104-0468	Washer
UF-038	ALX, CHV, CLV, AHC, ALC, PIC, PID, APS, ACP, AHP, PHD, CUC, CUB, CUI, PUC	0K67-01087-0000	Seat Post Decal
UF-039	ALX, CHV, CLV, AHC, ALC, PIC, PID, APS, ACP, AHP, PHD, CUC, CUB, CUI, PUC	0K67-01060-0000	Seat Post Base Guide
UF-040	ALX, CHV, CLV, AHC, ALC, PIC, PID, APS, ACP, AHP, PHD, CUC, CUB, CUI, PUC	0017-00101-2009	Mounting Screw

Item	Alpha Code	Part Number	Description
UF-041	ALX, CHV, CLV, AHC, ALC, PIC, PID, APS, ACP, AHP, PHD, CUC, CUB, CUI, PUC	0017-00042-1131	Bumper
UF-042	ALX, CHV, CLV, AHC, ALC, PIC, PID, APS, ACP, AHP, PHD, CUC, CUB, CUI, PUC	AK63-00229-0003	Seat
UF-042	ALX, CHV, CLV, AHC, ALC, PIC, PID, APS, ACP, AHP, PHD, CUC, CUB, CUI, PUC	AK67-00027-0002	Seat Assembly XXL
UF-043	ALX, CHV, CLV, AHC, ALC, PIC, PID, APS, ACP, AHP, PHD, CUC, CUB, CUI, PUC	0017-00104-0469	Washer
UF-044	ALX, CHV, CLV, AHC, ALC, PIC, PID, APS, ACP, AHP, PHD, CUC, CUB, CUI, PUC	0017-00101-2007	Mounting Screw
UF-045	ALX, CHV, CLV, AHC, ALC, PIC, PID, APS, ACP, AHP, PHD, CUC, CUB, CUI, PUC	0K67-01067-0000	Seat Post Shroud
UF-046	ALX, CHV, CLV, AHC, ALC, PIC, PID, APS, ACP, AHP, PHD, CUC, CUB, CUI, PUC	0017-00101-2010	Mounting Screw
UF-047	ALX, CHV, CLV, AHC, ALC, PIC, PID, APS, ACP, AHP, PHD, CUC, CUB, CUI, PUC	0K67-01146-0000	Seat Post Guide Cap
UF-048	ALX, CHV, CLV, AHC, ALC, PIC, PID, APS, ACP, AHP, PHD, CUC, CUB, CUI, PUC	AK67-00003-0001	Seat Post Weldment
UF-049	ALX, CHV, CLV, AHC, ALC, PIC, PID, APS, ACP, AHP, PHD, CUC, CUB, CUI, PUC	0K67-01009-0001	Up/Down Latch
UF-050	ALX, CHV, CLV, AHC, ALC, PIC, PID, APS, ACP, AHP, PHD, CUC, CUB, CUI, PUC	0K67-01010-0000	Up/Down Spring
UF-051	ALX, CHV, CLV, AHC, ALC, PIC, PID, APS, ACP, AHP, PHD, CUC, CUB, CUI, PUC	0K67-01017-0000	Latch Pivot Pin
UF-052	ALX, CHV, CLV, AHC, ALC, PIC, PID, APS, ACP, AHP, PHD, CUC, CUB, CUI, PUC	0017-00100-0253	Retaining Ring

Heart Rate System

Handlebar and Components



Parts List

Item	Alpha Code	Part Number	Description
HR-001	ALX, CHV, CLV, AHC, ALC, PIC, PID, APS, ACP, AHP, PHD, CUC, CUB, CUI, PUC	AK67-00006-0000	Handlebar Assembly
HR-002	ALX, CHV, CLV, AHC, ALC, PIC, PID, APS, ACP, AHP, PHD, CUC, CUB, CUI, PUC	0017-00101-1920	Handlebar Mounting Screw
HR-003	ALX, CHV, CLV, AHC, ALC, PIC, PID, APS, ACP, AHP, PHD, CUC, CUB, CUI, PUC	0017-00103-0341	Hex Nut
HR-004	ALX, CHV, CLV, AHC, ALC, PIC, PID, APS, ACP, AHP, PHD, CUC, CUB, CUI, PUC	AK63-00014-0004	Heart Rate Electrode
HR-005	ALX, CHV, CLV, AHC, ALC, PIC, PID, APS, ACP, AHP, PHD, CUC, CUB, CUI, PUC	0K66-01141-0000	Insulator Plug
HR-006	ALX, CHV, CLV, AHC, ALC, PIC, PID, APS, ACP, AHP, PHD, CUC, CUB, CUI, PUC	0017-00101-1720	Mounting Screw
HR-007	ALX, CHV, CLV, AHC, ALC, PIC, PID, APS, ACP, AHP, PHD, CUC, CUB, CUI, PUC	AK63-00028-0001	Heart Rate Cable