

White FlexStrider Exercise Equipment Base

95FXPS-ALLXX-2101

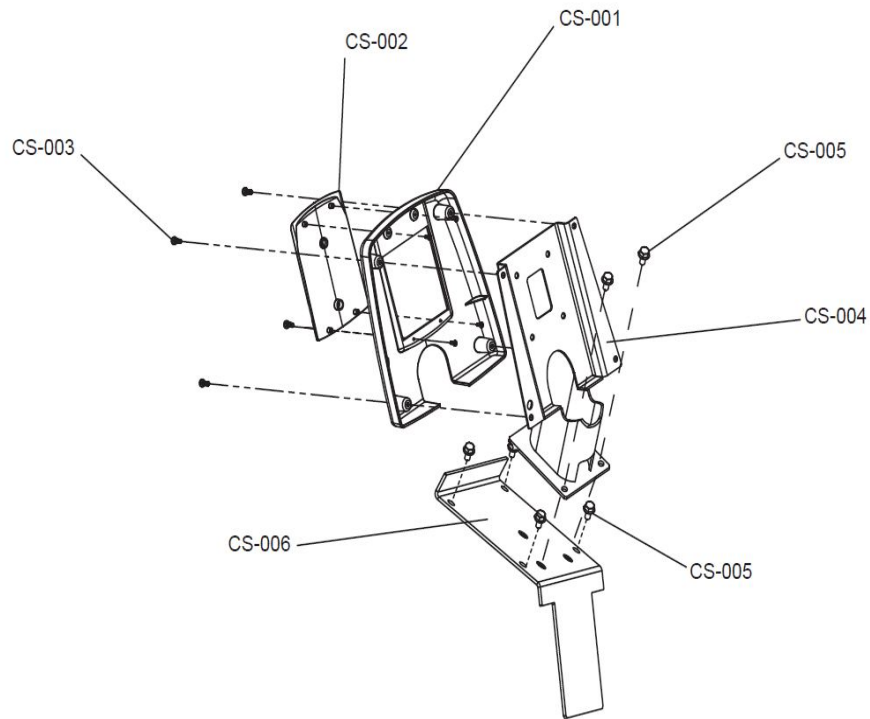
Parts Manual

12/6/2022 1:48:42 AM

Table of Contents

[Console Support](#).....3
[Drive System](#).....4
[Electrical - Wiring Diagram](#).....5
[Frame System - Deadshaft and Rocker Arms](#).....6
[Frame System - Mono-column, Handrails, and PCB](#).....8
[Frame System - Shrouds](#).....9
[Frame System - Stabilizers](#).....10
[Handlebars and Cupholder](#).....11
[Linkage System - Pedal Levers](#).....12
[Miscellaneous](#).....13
[Timing System - Stride Assembly](#).....15
[Timing System - Timing Carriage](#).....16
[Timing System - Front Rocker Assemblies](#).....18

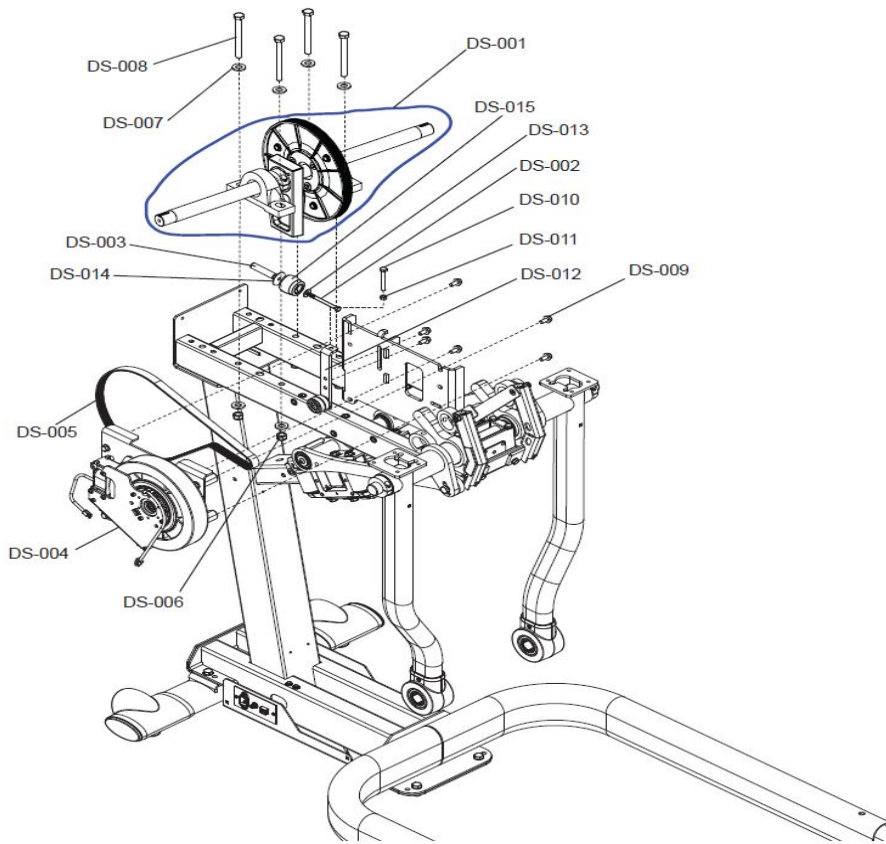
Console Support



Note 1: For Console Parts information refer to the Parts Manual of the installed console.

Ref #	Part Number	Qty	Description
CS-001	0K97-01167-2400	1	SHROUD: CONSOLE BACK; FLEXSTRIDER; CHGR
CS-002	AK92-00059-2400	1	ASSEMBLY: MIDDLE SHROUD; CONSOLE; CHGR
CS-003	0017-00101-1972	4	SCREW: M5 X 0.8 X 14, PHL, PAN, MS, ST, BZ
CS-004	AK97-00032-2100	1	WELDMNT, CONSOLE MNT PAINTED
CS-005	0017-00101-2129	6	M8X1.25X16 6G6G DIN UNS HEX FLG ST ZB
CS-006	AK97-00038-0000	1	WELDMNT: CONSOLE MNT TO FRAME
CS-007	0017-00101-1650	4	SCREW: 6-19 X 6, PHL, PAN, PLT, ST, ZB, VMI
CS-008	AK66-00079-0000	2	Hardward Bag: Recumbent Bike

Drive System

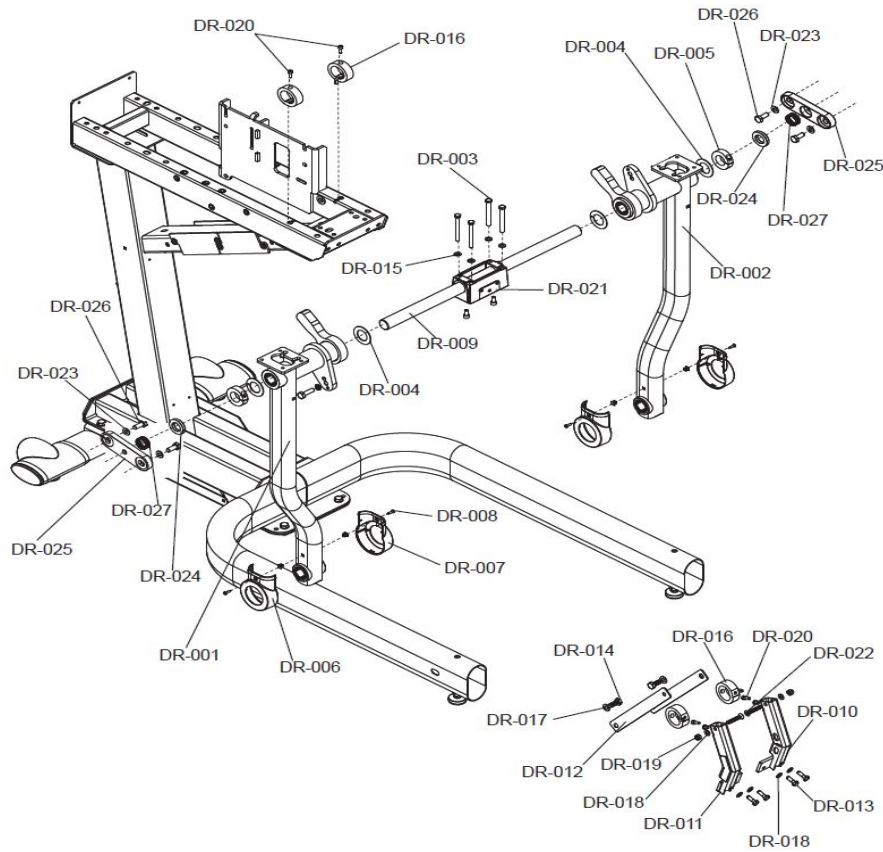


Ref #	Part Number	Qty	Description
DS-001	AK97-00050-0000	1	ASSEMBLY: MAIN PULLEY; 166T
DS-002	0017-00101-2145	1	SCREW: M6x1.0x75 DIN UNS HEX CS ST ZS
DS-003	0K97-01232-0000	1	STAND-OFF: STRIDE BOARD
DS-004	AK97-00040-0000	1	ASSEMBLY: GENERATOR MT; UNIARM
DS-005	0017-00009-1344	1	BELT: POLY-V; 440J8
DS-006	0017-00103-0332	4	NUT M 12X1.75-6H6H DIN L LOCKNUT ST ZN B
DS-007	0017-00104-0193	8	WSH 531-1.06-137 FL-D ST ZN B
DS-008	0017-00101-2120	4	M12X 1.75 6G6G X120 DIN UNS HEX CS ST ZN
DS-009	0017-00101-2129	6	M8X1.25X16 6G6G DIN UNS HEX FLG ST ZB
DS-010	0017-00101-2002	1	SCREW: M8.0 X 1.25 6G6G X 60, DIN, UNS, HEX, CS, G5, CD
DS-011	0017-00103-0328	1	VMI NUT M 8X1.25-6H6H DIN D JAM ST ZN B
DS-012	AK97-00070-0000	1	ASSEMBLY: BELT TENSIONER; UNIARM
DS-013	0017-00104-0468	1	WASHER: M6.4 X 18 X 1.6, DIN, FLAT, G5, ZB
DS-014	0017-00104-0526	1	WASHER, M6X32X1.6 FLAT ST ZB
DS-015	0017-00009-1354	1	TECSPAK, GBA-5

Electrical - Wiring Diagram

Ref #	Part Number	Qty	Description
CBL-001	AK32-00020-0002	1	CBL-ASSY: COAX; 120 IN. S/C-B
CBL-002	AK70-00092-0000	1	CABLE ASSY: CAT5E, V2, 84 INCH
CBL-003	AK97-00063-0000	1	CBL ASSY: AC POWER, IEC C13 TO FASTONS
CBL-004	AK70-00092-0005	1	CABLE ASSY: CAT5E, V2, 96 INCH
CBL-006	AK97-00064-0000	1	CBL ASSY: LTS TO SLD
CBL-007	AK97-00075-0000	1	CBL-ASSEMBLY: GENERATOR BRAKEBTO PCB
CBL-008	AK97-00074-0000	1	CBL-ASSEMBLY: EXTERNAL POWER; FLEXSTRIDER
CBL-009	0K99-01044-0003	1	CABLE: ELEVATION FLEXSTRIDER FITCORE - POWER HUB - GBC
CBL-010	AK69-00108-0000	1	CBL ASSY: KEYPAD
CBL-011	AK65-00103-0002	1	CBL ASSY: GROUND, ESD
CBL-012	0K99-01018-0000	1	CABLE: LIFEPULSE TO FITCORE - NONTREAD
CBL-013	AK92-00019-0000	1	CABLE ASSY, MIB POLAR TO POLAR RECEIVER
CBL-014	0K99-01024-0000	1	CABLE: CROSSTRAINER/FLEXSTRIDER TO LIFEPULSE
CBL-015	AK61-00051-0002	2	CBL-ASSY: USER-ARM S/C-C
CBL-016	AK61-00051-0000	2	CBL-ASSY: USER-ARM S/C-C
CBL-017	AK97-00066-0000	1	CBL ASSEMBLY: LIFEPULSE FLEX, STRIDE
CBL-018	AK69-00109-0000	1	CBL ASSY: LIFEPULSE Y

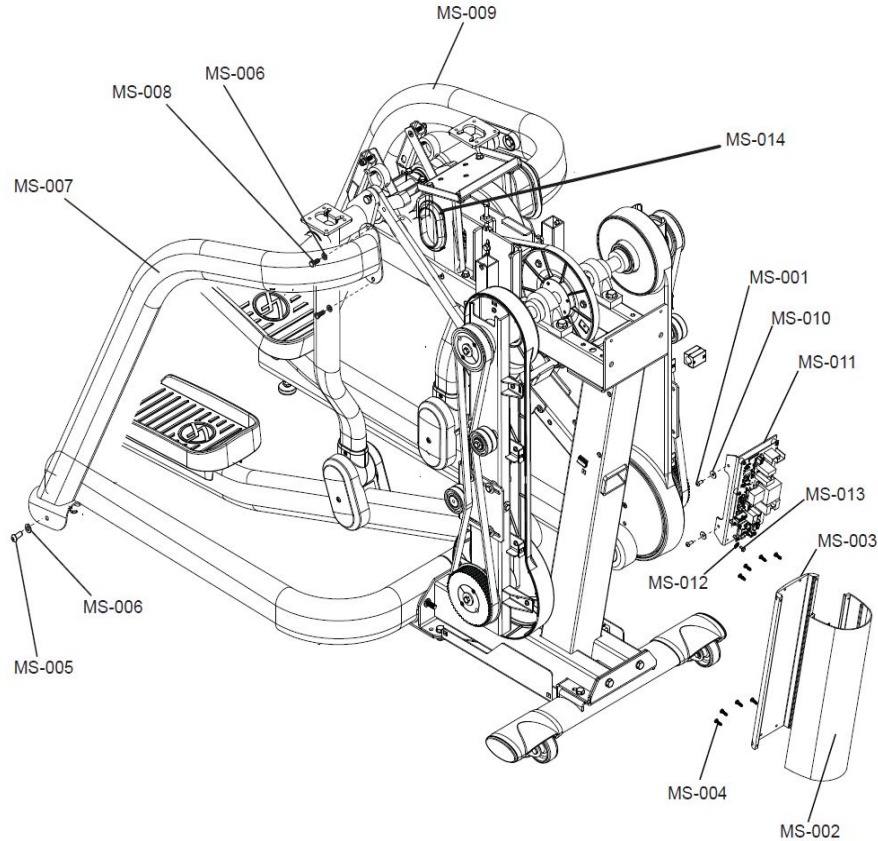
Frame System - Deadshaft and Rocker Arms



Ref #	Part Number	Qty	Description
DR-001	AK97-00013-2600	1	ASSEMBLY: ROCKER ARM W BEARING; SM CHGR
DR-002	AK97-00015-2600	1	ASSEMBLY: ROCKER ARM W BEARING; SM CHGR
DR-003	0017-00101-1944	4	M8.0X1.25- 6G6GX80MM DIN UNS HEX CS G5 CD
DR-004	0K97-01187-0000	4	ADHESIVE BRG: THR; 54mm OD X 32mm ID X 1.5mm
DR-005	0K69-01018-0000	2	COLLAR: 30 MM ID, SHAFT
DR-006	0K97-01138-2400	2	COVER: INNER CLEVIS A; CHGR
DR-007	0K97-01151-2400	2	COVER: INNER CLEVIS B; CHGR
DR-008	0017-00101-1796	4	SCREW: M4.2 X 0.7 6G6G X 19, DIN, PHL, PAN, AB, ST, ZB
DR-009	0K97-01033-0000	1	SHAFT: DEAD; 30MM
DR-010	1003519-0001	1	ASSEMBLY: TECSPACK UPRIGHT W/INSERT; RH
DR-011	1003518-0001	1	ASSEMBLY: TECSPACK UPRIGHT W/INSERT; LH
DR-012	0K97-01244-0000	2	PLATE: TENSION STRAP
DR-013	0017-00101-1931	4	M8.0 X1.25 - 6G6G X 25 DIN UNS HEX CS ST ZN
DR-014	0017-00101-1965	2	M10 X1.5-6G6GX 25 DIN UNC HEX CAP ST ZN
DR-015,DR-018	0017-00104-0469	10	WASHER: M8.4 X 16.0 X 1.6, DIN, FLAT, ST, ZB
DR-016	0K97-01246-0000	4	SPRING: TECSPAK; 0.83 WIDE X 40D
DR-017,DR-018	0017-00104-0470	6	WASHER: M10.5 X 20 X 2, DIN, DFLAT, ST, ZB

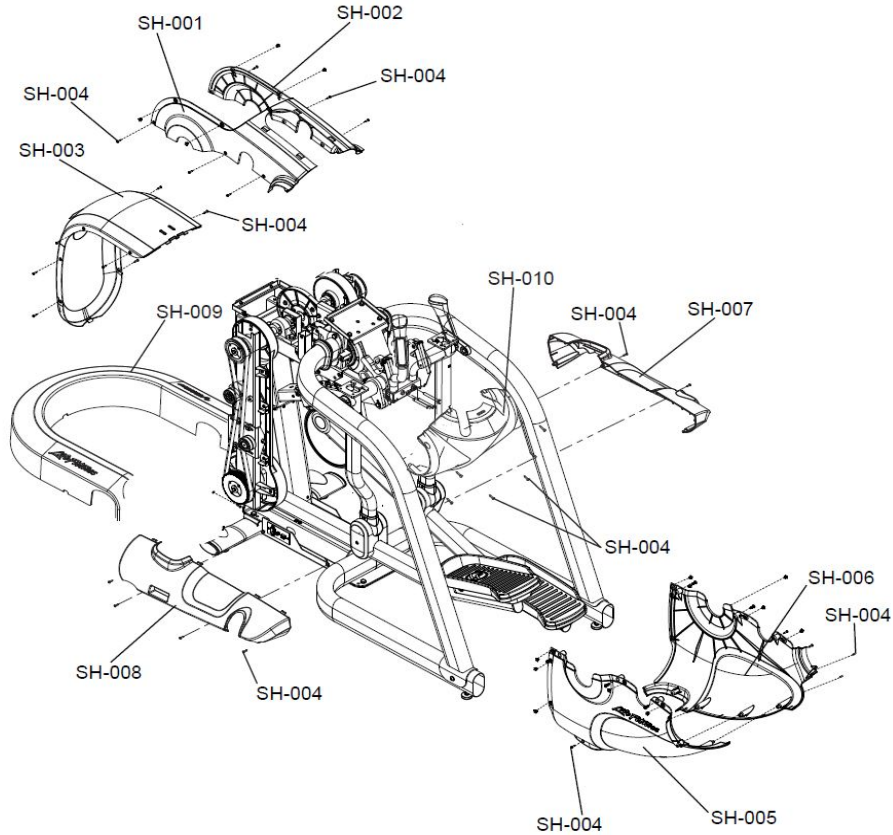
Ref #	Part Number	Qty	Description
023			
DR-019	0017-00103-0333	2	NUT: M8 X 1.25-6H6H, DIN, LOCKING, ST, ZN
DR-020	0017-00101-1891	4	M6X1.00-6g6gX 16 DIN HXS SOC CS G8 ZS B
DR-021	0K97-01230-0000	1	MOUNT: DEADSHAFT SUPPORT
DR-022	0017-00101-2144	2	SCREW: M8x1.0x40 DIN HXS FLT CS ST ZS
DR-024	0K97-01225-0000	2	RING: POLYURETHANE; 1" ID x 2" OD x .4"
DR-025	0K97-01209-2400	2	MOUNT; DEADSHAFT
DR-026	0017-00101-2128	4	M10X1.5X25 6G6G DIN UNS HXS CS ST ZB
DR-027	0017-00009-1338	2	TOLERANCE RING: 30mm SHAFT OD
DR-028	0017-00104-0463	2	VMI WSH 327-1125-090 FL-D ST ZS B
DR-029	0017-00101-2126	2	M10 X 1.50 6G6H X 35 DIN UNS HEX CS ST ZS
DR-030	0017-00104-0527	2	WSH: NORD LOCK; M10x16.6x2.5
DR-031	0017-00101-2030	2	M8 X 1.25-6G6G X 16 MET HXS SOC SC ST ZB

Frame System - Mono-column, Handrails, and PCB



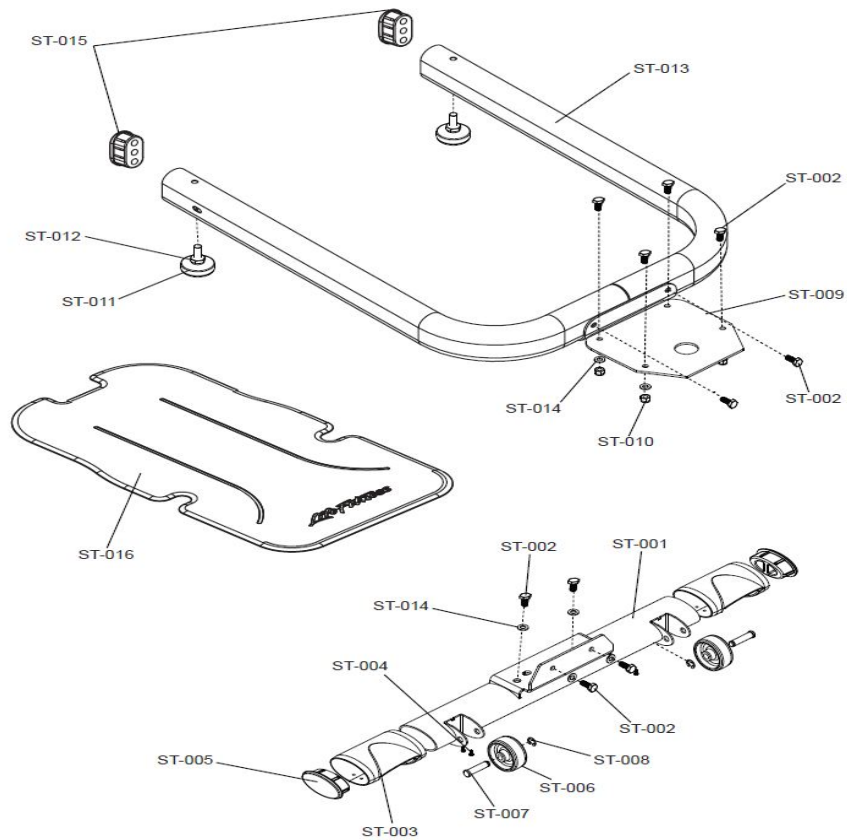
Ref #	Part Number	Qty	Description
MS-001	0017-00101-1953	2	VMI M6 X1.00-6G6GX 14 DIN HEX BUT BLT ST BZ
MS-002	0K97-01145-2100	1	EXTRUSION: MONOCOLUMN; FRONT; PLWT
MS-003	0K97-01146-2100	1	EXTRUSION: MONOCOLUMN; REAR; PLWT
MS-004	0017-00101-2132	8	SCREW: M5 X 0.8 X 16, DIN, TRX, PAN, TT, ST, ZS
MS-005	0017-00101-2122	2	M10X1.5-6G6GX25 DIN BUT HEX CS ST ZS
MS-006	0017-00104-0470	6	WASHER: M10.5 X 20 X 2, DIN, DFLAT, ST, ZB
MS-007	AK97-00059-2100	1	WELDMENT, HANDRAIL RH
MS-008	0017-00101-1965	4	M10 X1.5-6G6GX 25 DIN UNC HEX CAP ST ZN
MS-009	AK97-00058-2100	1	WELDMENT, HANDRAIL LH
MS-010	0017-00104-0468	2	WASHER: M6.4 X 18 X 1.6, DIN, FLAT, G5, ZB
MS-011	AK97-00100-0000	1	ASSY: GBC W/ POWER HUB
MS-012	0017-00104-0460	1	WASHER: 0.172 X 0.562 X 0.025, LOCK, DS-D, ST, ZN, B
MS-013	0017-00101-0883	1	SCREW: 10 X 6, UNS, HXW, L, B, ST, GR
MS-014	0K97-01085-0700	2	GASKET: SIDERAIL; BLK
MS-015	AK97-00036-0000	1	ASSEMBLY: PWR PCB BRKT
MS-016	0017-00103-0334	2	NUT: M10 X 1.50-6H6H, DIN, LOCKNUT, ST, ZB

Frame System - Shrouds



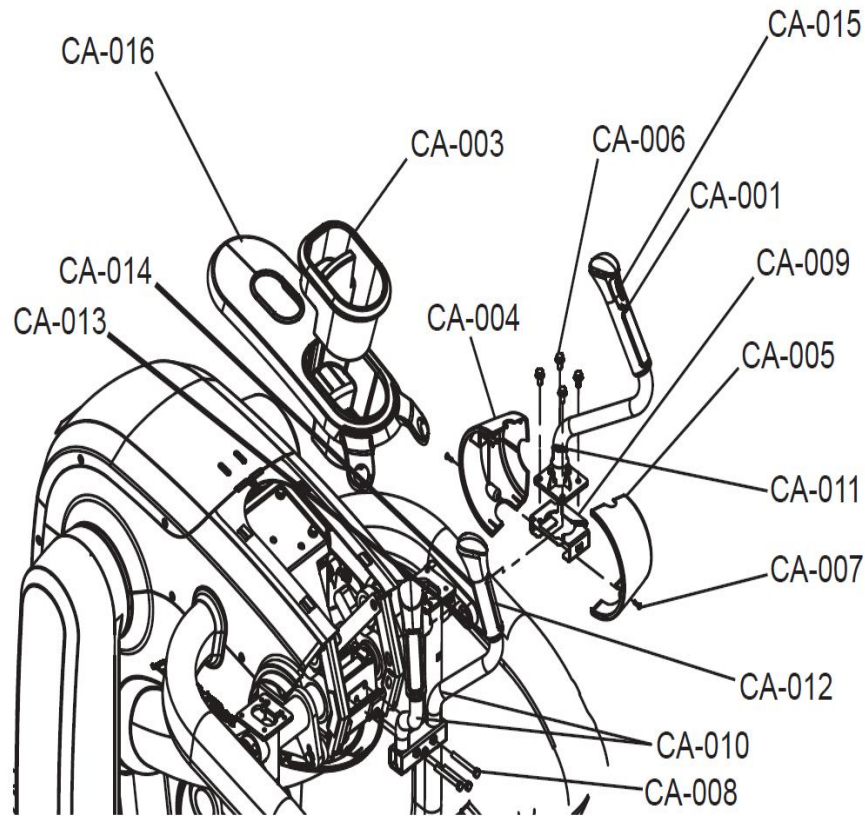
Ref #	Part Number	Qty	Description
SH-001,SH-005	AK97-00092-2400	2	ASS'Y: COVER; SIDE; LOWER LEFT; CHGR
SH-002,SH-006	AK97-00093-2400	2	ASS'Y: COVER; SIDE; LOWER RIGHT; CHGR
SH-003	AK97-00094-2400	1	ASS'Y: COVER; FRONT; CHGR
SH-004	0017-00101-1796	15	SCREW: M4.2 X 0.7 6G6G X 19, DIN, PHL, PAN, AB, ST, ZB
SH-007	0K97-01088-2400	1	COVER: BASE; RIGHT; CHGR
SH-008	0K97-01087-2400	1	COVER: BASE; LEFT; CHGR
SH-009	0K97-01204-2400	1	COVER: FRONT; TIC TOC ZONE; CHGR
SH-010	0K97-01082-2400	1	COVER: REAR; CHGR
SH-012	0017-00042-1147	10	GROMMET: SCREW, 8 OR 10
SH-013	0017-00101-2138	6	SCREW: M6 X 1.0 X 16, DIN, PHL, PAN, MS, ST, ZB

Frame System - Stabilizers



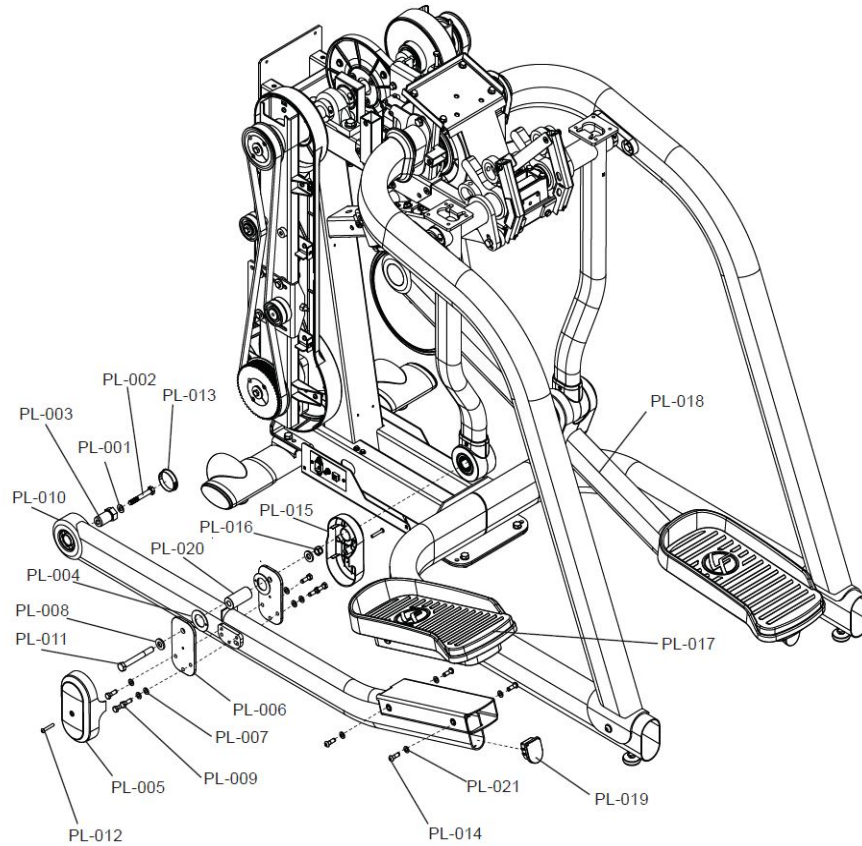
Ref #	Part Number	Qty	Description
ST-001	AK97-00004-2400	1	WELDMNT, STABILIZER
ST-002	0017-00101-1965	10	M10 X1.5-6G6GX 25 DIN UNC HEX CAP ST ZN
ST-003	0K97-01122-0700	2	SHROUD: STABILIZER COVER; BLK
ST-004	0017-00101-1968	4	SCREW: M4 X 0.7 X 10, PHL, PAN, TT, ST, ZS
ST-005	0K66-01042-0700	2	END CAP: FRONT STABILIZER; BLK
ST-006	0K60-01020-0000	2	WHEEL: LIFT-ARM
ST-007	0017-00009-1339	2	PIN: 0.5" CLEVIS
ST-008	0017-00100-0050	2	RNG: E .500 5133-50 ST PP B
ST-009	0K97-01001-0000	1	PLATE: BASE FRAME
ST-010	0017-00103-0334	4	NUT: M10 X 1.50-6H6H, DIN, LOCKNUT, ST, ZB
ST-011	AK62-00124-0000	4	LEVELER: LEG, ASSEMBLY
ST-012	0017-00103-0330	4	NUT: M10 X 1.50 - 6H6H, DIN, D JAM, ST, ZB
ST-013	AK97-00005-2100	1	WELDMNT, U-BEND FRAME
ST-014	0017-00104-0470	8	WASHER: M10.5 X 20 X 2, DIN, DFLAT, ST, ZB
ST-015	1002166-0700	2	ENDCAP: LARGE FLOV, BLACK
ST-016	0K97-01069-0700	1	FLOOR MAT: FLEXSTRIDER; BLK

Handlebars and Cupholder



Ref #	Part Number	Qty	Description
CA-001	AK97-00011-2400	1	ASSEMBLY: HANDLEBAR; RH; CHGR
CA-002	AK97-00009-2400	1	ASSEMBLY: HANDLEBAR; LH
CA-003	0K97-01132-2400	1	CUPHOLDER; CHGR
CA-004	0K97-01084-2400	2	COVER: DEADSHAFT; B; CHGR
CA-005	0K97-01083-2400	2	COVER: DEADSHAFT; A; CHGR
CA-006	0017-00101-2129	8	M8X1.25X16 6G6G DIN UNS HEX FLG ST ZB
CA-007	0017-00101-1796	4	SCREW: M4.2 X 0.7 6G6G X 19, DIN, PHL, PAN, AB, ST, ZB
CA-008	0017-00101-1905	3	M8 X1.25-6G6GX70 DIN UNS HEX CS ST ZN
CA-009	0K97-01205-0000	2	BRACKET: DEADSHAFT COVER CLIP
CA-010	AK97-00026-2400	1	ASSEMBLY: BULLHORNS; CHGR
CA-011	0K62-01199-0703	2	GASKET: BULLHORN, BLACK
CA-012	AK69-00139-2404	4	ELECTRODE: INSERT-MOLDED ASSY, 4 INCH, TOP, CHARCOAL GARY
CA-013	AK69-00140-2404	4	ELECTRODE: INSERT-MOLDED ASSY, 4 INCH, BOTTOM, CHARCOAL GRAY
CA-014	0017-00101-2054	8	SCREW: 6-19 X 16, PHL, PAN, HLS, ST, ZN
CA-015	AK97-00062-2400	1	ASSEMBLY: BUTTON; CHGR
CA-016	0K97-01086-0700	1	GASKET: TOP CUPHOLDER; BLK

Linkage System - Pedal Levers



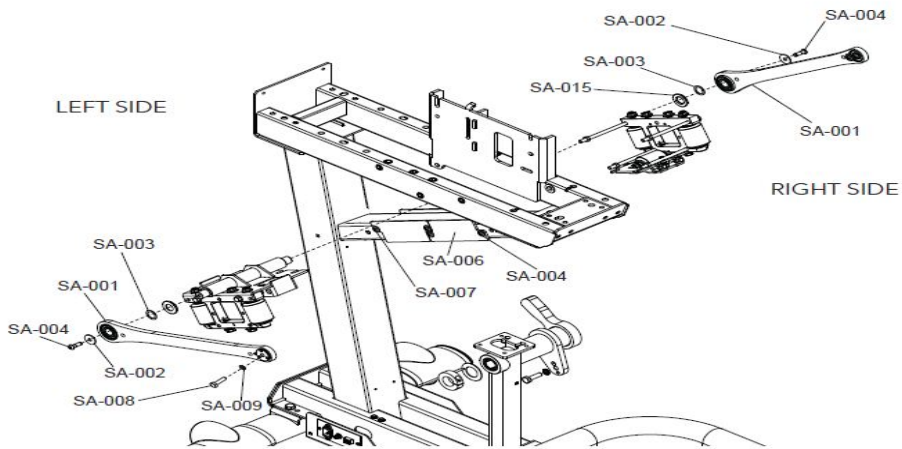
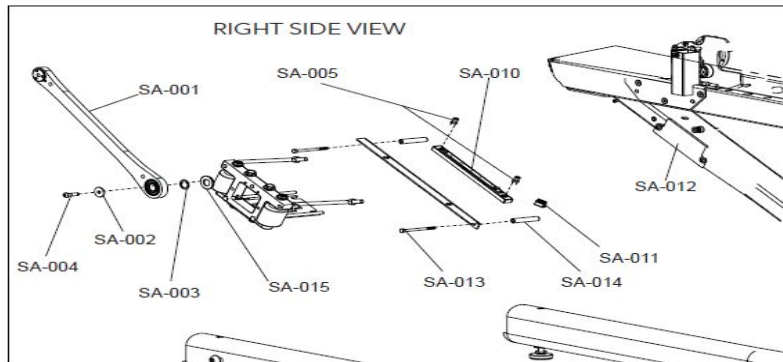
Ref #	Part Number	Qty	Description
PL-001	0017-00104-0470	2	WASHER: M10.5 X 20 X 2, DIN, DFLAT, ST, ZB
PL-002	0017-00101-2136	2	M10x1.5x70 DIN UNS HEX CS ST ZS
PL-003	0K97-01076-0000	2	HUB: PEDAL; FRONT
PL-004	0017-00006-0314	4	BRG: THR; 54mm OD x 32mm ID x 1.5mm
PL-005	0K97-01091-2400	2	OUTER CLEVIS COVER: LEFT; CHGR
PL-006	0K97-01116-0000	4	PLATE: ROCKER
PL-007, PL-021	0017-00104-0469	20	WASHER: M8.4 X 16.0 X 1.6, DIN, FLAT, ST, ZB
PL-008	0017-00104-0193	4	WSH 531-1.06-137 FL-D ST ZN B
PL-009	0017-00101-1945	12	M8X1.25 -6G6GX20MM DIN UNS HEX CS ST ZN
PL-010	AK97-00017-2600	1	ASSEMBLY: PEDAL LEVER; LH; SM CHGR
PL-011	0017-00101-2125	2	M12X 1.75 6G6G X 100 DIN UNS HEX CS ST ZN
PL-012	0017-00101-1954	4	M6 X1.00-6G6GX 35 DIN HEX BUT BLT ST BZ
PL-013	0017-00009-1346	2	CAP: DOME PLUG; 2"O.D.
PL-014	0017-00101-1929	8	SCREW: M8 X 1.25-6G6G X 25, DIN, HEX, BUT, CS, ST
PL-015	0K97-01092-2400	2	OUTER CLEVIS COVER: RIGHT; CHGR
PL-016	0017-00103-0332	2	NUT M 12X1.75-6H6H DIN L LOCKNUT ST ZN B
PL-017	0K97-01075-0700	2	PEDAL: FLEXSTRIDER; BLK
PL-018	AK97-00019-2600	1	ASSEMBLY: PEDAL LEVER; RH; SM CHGR
PL-019	0K69-01119-0000	2	
PL-020	0K97-01117-0000	2	SHAFT: ROCKER; CLEVIS

Miscellaneous

Ref #	Part Number	Qty	Description
MISC-001	0017-00003-1091	1	POWER SUPPLY: 24VDC, 2.5A
MISC-003	0017-00003-0704	1	LINE-CORD: DOM. 10A 125V B
MISC-004	0017-00003-0691	1	LINE-CORD: CON 10A 250V B
MISC-005	0017-00003-0889	1	LINE-CORD: 10A; U.K B
MISC-006	0017-00003-0918	1	LINE-CORD: AUSTRALIA B
MISC-007	0017-00003-1012	1	LINE-CORD: CHINESE; RVV; 8' 10A 250V C
MISC-009	0017-00008-0204	1	ARCTIC SILVER AEROSOL TOUCH UP
MISC-010	0017-00008-0205	1	ARCTIC SILVER TOUCH UP
MISC-011	0017-00008-0223	1	WHITE BASE COAT FOR PEARLESCENT WHITE AEROSOL
MISC-012	0017-00008-0225	1	WHITE BASE COAT FOR PEARLESCENT WHITE TOUCH UP
MISC-013	0017-00008-0224	1	PEARLESCENT TOP COAT FOR PEARLESCENT WHITE AEROSOL
MISC-014	0017-00008-0226	1	PEARLESCENT TOP COAT FOR PEARLESCENT WHITE TOUCH UP
MISC-015	0017-00008-0227	1	TITANIUM AEROSOL PAINT
MISC-016	0017-00008-0228	1	LIFE FITNESS TITANIUM, BRUSH BOTTLE
MISC-017	0017-00008-0229	1	BLACK METALLIC AEROSOL
MISC-018	0017-00008-0230	1	BLACK METALLIC TOUCH UP
MISC-019	0017-00008-0231	1	CHARCOAL GRAY AEROSOL

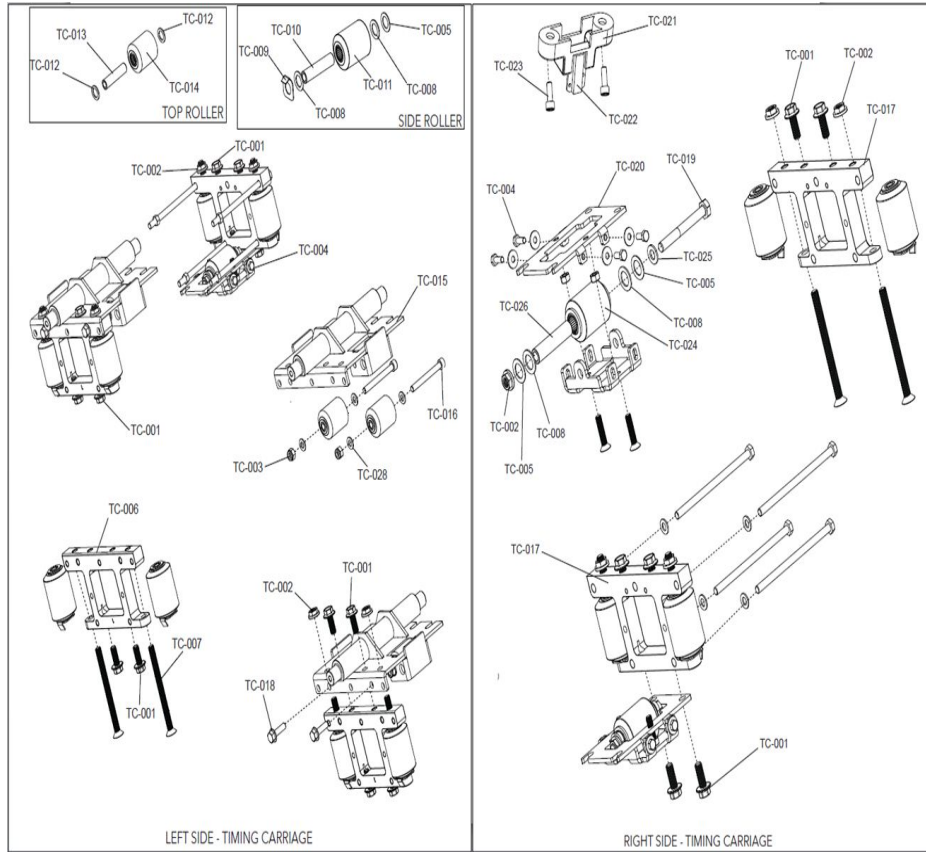
Ref #	Part Number	Qty	Description
MISC-020	0017-00008-0232	1	CHARCOAL GRAY TOUCH UP

Timing System - Stride Assembly



Ref #	Part Number	Qty	Description
SA-001	AK97-00030-0000	2	ASSEMBLY: TIMING LINK; W BEARINGS
SA-002	0017-00104-0409	2	WASHER: 0.327 X 1.125 X 0.090, FL, D, ST, BZ
SA-003	0017-00104-0525	2	WSH: SHIM; 20mm ID X 28mm OD X .3mm
SA-004	0017-00101-2007	10	M8X1.25 6G6G X 16 DIN HEX BUT L CS ST
SA-005	0017-00101-1891	2	M6X1.00-6g6gX 16 DIN HXS SOC CS G8 ZS B
SA-006	AK97-00096-0000	2	ASS'Y: ROLLER PLATES
SA-007	0017-00104-0468	8	WASHER: M6.4 X 18 X 1.6, DIN, FLAT, G5, ZB
SA-008	0017-00101-2126	2	M10 X 1.50 6G6H X 35 DIN UNS HEX CS ST ZS
SA-009	0017-00104-0527	2	WSH: NORD LOCK; M10x16.6x2.5
SA-010	AK97-00061-0000	1	ASSEMBLY: TARGET BOARD
SA-011	0017-00009-1350	2	CLAMP: FLAT CABLE WITH ADHESIVE MOUNTING
SA-013	0017-00101-2145	2	SCREW: M6x1.0x75 DIN UNS HEX CS ST ZS
SA-014	0K97-01232-0000	2	STAND-OFF: STRIDE BOARD
SA-015	0K97-01241-0000	2	SPACER: SHAFT; TIMING
SA-017	AK97-00095-0000	1	ASS'Y: STRIDE BOARD MOUNT
SA-018	0017-00104-0190	2	WSH 406-.734-064 FL-D ST BZ B
SA-019	0017-00103-0330	2	NUT: M10 X 1.50 - 6H6H, DIN, D JAM, ST, ZB

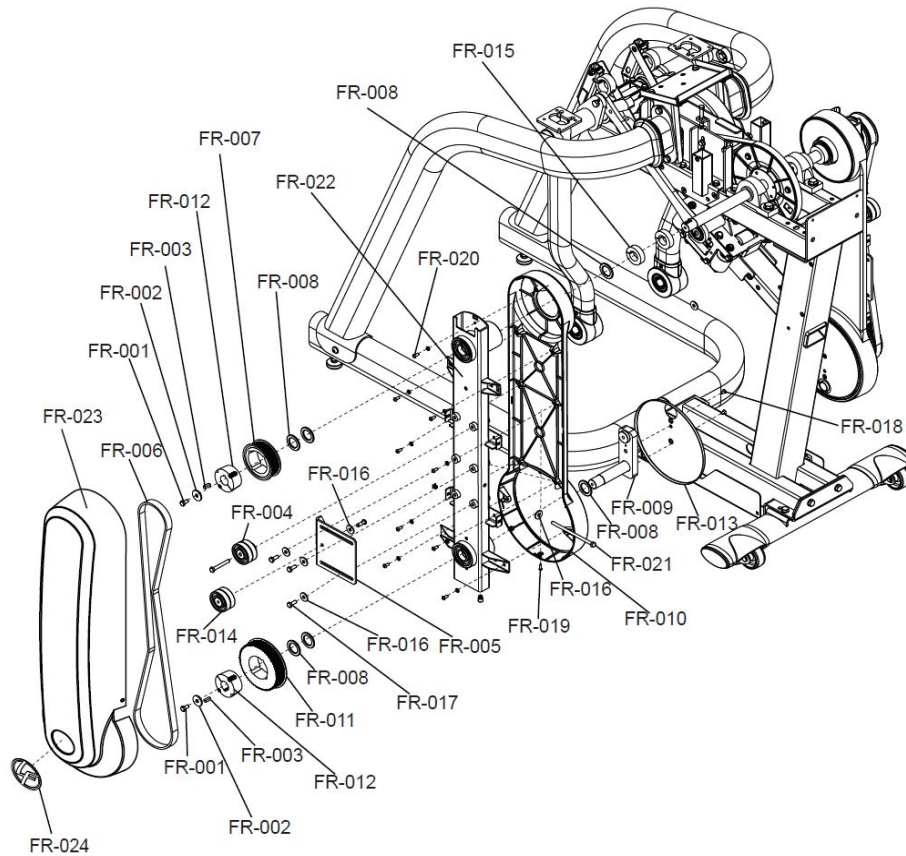
Timing System - Timing Carriage



Ref #	Part Number	Qty	Description
TC-001	0017-00101-2135	8	SCREW: M10 X 1.50 6G6H X 25, UNS, FLG, CS, ST, ZB
TC-002	0017-00103-0400	5	NUT: M10 X 1.50-6H6H DIN FLG L ST ZB
TC-003	0017-00103-0333	2	NUT: M8 X 1.25-6H6H, DIN, LOCKING, ST, ZN
TC-004	0017-00101-2146	4	SCREW: M6x1.0x16 DIN UNS HEX CS ST ZS
TC-005	0K47-01151-0000	6	WASHER: THRUST; HARDENED B
TC-006	0K97-01221-0000	1	EXTRUSION: TIMING CARRIER; LEFT
TC-007	0017-00101-2134	4	M10X1.50-6G6GX120MM HXS FLT CS 12.9 ZN
TC-008	0K47-01144-0000	10	BEARING: THRUST; MONO-ROLLER B
TC-010,TC-026	0K97-01223-0000	5	SHAFT: MONOROLLER, M10
TC-011	AK97-00084-0000	4	ASSY: ROLLER W/BEARINGS; MONOROLLER
TC-012	0017-00006-0292	4	BEARING: THRUST; .50 X .75 X .063
TC-013	0K68-01107-0000	2	SHAFT: MINI-MONO
TC-014	AK97-00085-0000	2	ASSY: ROLLER W/BEARINGS; MINI-MONOROLLER
TC-015	AK97-00097-0000	1	WELDMNT: TIMING CARRIER; TOP
TC-016	0017-00101-1908	2	M8 X1.25-6G6G X 75 DIN HEX SOC CS ST ZB
TC-017	0K97-01222-0000	1	EXTRUSION: TIMING CARRIER; RIGHT
TC-018	0017-00101-2130	2	SCREW: M8 X 1.25-6G6H X 30, UNS, HXW, CS, ST, ZB
TC-019	0017-00101-2035	1	SCR: M10 X 1.5-6G X 90 HEX CAP ST ZC
TC-020	0K97-01249-0000	1	PLATE: TIMING ASSY; BOTTOM

Ref #	Part Number	Qty	Description
TC-021	0K97-01234-0000	1	MOUNT: TARGET SENSOR
TC-022	118E-00001-0305	1	SENSOR: RESONANT, INDUCTIVE TARGET, 187.5 KHZ
TC-023	0017-00101-1891	2	M6X1.00-6g6gX 16 DIN HXS SOC CS G8 ZS B
TC-024	AK97-00079-0000	1	ASSEMBLY: TIMING; ROLLER SIDE PLATE
TC-025	0017-00104-0470	1	WASHER: M10.5 X 20 X 2, DIN, DFLAT, ST, ZB
TC-027	0017-00104-0468	4	WASHER: M6.4 X 18 X 1.6, DIN, FLAT, G5, ZB
TC-028	0017-00104-0469	4	WASHER: M8.4 X 16.0 X 1.6, DIN, FLAT, ST, ZB
TC-029	0K97-01248-0000	1	BRACKET: TIMING ASSY; MONOROLLER, BOTTOM
TC-030	0017-00101-2139	2	M8 X 1.25 X 35 HEX FLT CS ST BZ
TC-031	0017-00103-0328	2	VMI NUT M 8X1.25-6H6H DIN D JAM ST ZN B
TC-032	0017-00101-2118	4	M8 X 1.25 6G6G X 150 DIN UNS HEX L CS ST ZN

Timing System - Front Rocker Assemblies



Ref #	Part Number	Qty	Description
FR-001	0017-00101-1948	4	M8.0 X 1.25-6G6GX16 DIN UNS HEX CS G5 ZN
FR-002	0017-00104-0529	4	WSH: .385x1.375x.125 FL-D ST ZN
FR-003	0017-00009-1351	4	MACHINE KEY: 1/4" X 1/4" X 3/4"
FR-004	AK97-00054-0000	2	ASSEMBLY: IDLER HUB
FR-005	AK97-00024-0000	2	WELDMENT: IDLER MTG BRKT
FR-006	0017-00009-1345	2	BELT: RPP 8mm; 1800mm; 20mm SLV
FR-007	0K97-01215-0000	2	PULLEY: 40 TEETH; 8MM RPP
FR-008	0K69-01074-0000	12	WSH: THRUST; 30MM; IDX47MM ODX3MM
FR-009	AK97-00025-0000	2	WELDMENT: CRANK ARM
FR-010	0K97-01089-2400	2	COVER: TIMING LINK; INNER; CHGR
FR-011	0K97-01214-0000	2	PULLEY: 56 TEETH; 8MM RPP
FR-012	0017-00009-1353	4	BUSHING: TAPER LOCK; 2012 X 1-1/8" BORE
FR-013	0K97-01093-2100	2	COVER: CRANK; INNER; PLWT
FR-014	AK97-00053-0000	2	ASSEMBLY: ADJUSTABLE IDLER HUB
FR-015	0K69-01018-0000	4	COLLAR: 30 MM ID, SHAFT
FR-016	0017-00104-0479	8	WSH:M8 9.12X 25.40X 2.30 DIN D FLAT ST ZB B
FR-017	0017-00101-1906	6	VMI M8 X1.25-6G6GX20 DIN UNS HEX CS ST ZN
FR-018	0017-00101-1988	4	SCREW: M6 X 1-6G6G X 12, DIN, SOC, FLT, CS, ST, ZB
FR-019	0017-00101-1796	6	SCREW: M4.2 X 0.7 6G6G X 19, DIN, PHL, PAN, AB, ST, ZB
FR-020	0017-00101-1953	14	VMI M6 X1.00-6G6GX 14 DIN HEX BUT BLT ST BZ

Ref #	Part Number	Qty	Description
FR-021	0017-00101-2118	2	M8 X 1.25 6G6G X 150 DIN UNS HEX L CS ST ZN
FR-022	AK97-00021-0700	2	ASSEMBLY: FRONT ROCKER; BLK
FR-023	0K97-01090-2400	2	COVER: TIMING LINK; OUTER; CHGR
FR-024	0K65-01209-0000	2	BUG: LF PRODUCT BRANDING
FR-025	0K97-01253-0000	4	WSH: THRUST; 30mmX47mmX6mm
FR-026	0017-00104-0488	18	WSH: M6.50X 11.5 X 1.75 DIN SL ST BZ
FR-027	0017-00101-2002	2	SCREW: M8.0 X 1.25 6G6G X 60, DIN, UNS, HEX, CS, G5, CD
FR-028	0017-00042-1226	2	GROMMET: PLASTIC #8, .375H

