

Silver GSC Trainer Base LV

95GS-ALLX-0101

Parts Manual

12/6/2022 1:48:43 AM

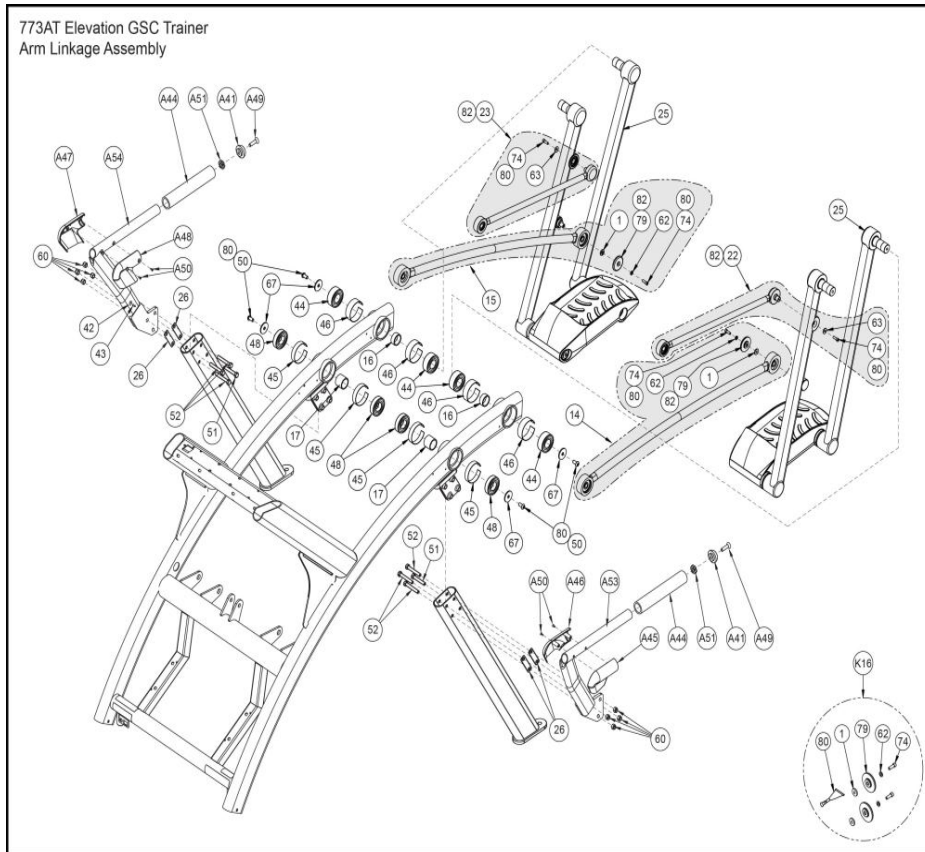


LifeFitness
WHAT WE LIVE FOR

Table of Contents

773AT Arm Linkage Assembly	3
773AT Console Mount Assembly	5
773AT Console Tray Assembly	6
773AT Cruiser Handle Kit	7
773AT Drive Frame Assembly	9
773AT Drive Frame Detail	11
773AT Foot Plate Assembly	13
773AT Handle Assembly	14
773AT Hardware Power Cords	16
773AT Linkage Assembly	18
773AT Rear Cover Assembly	19
773AT Shroud Assembly	20
773AT Wiring Diagram	21

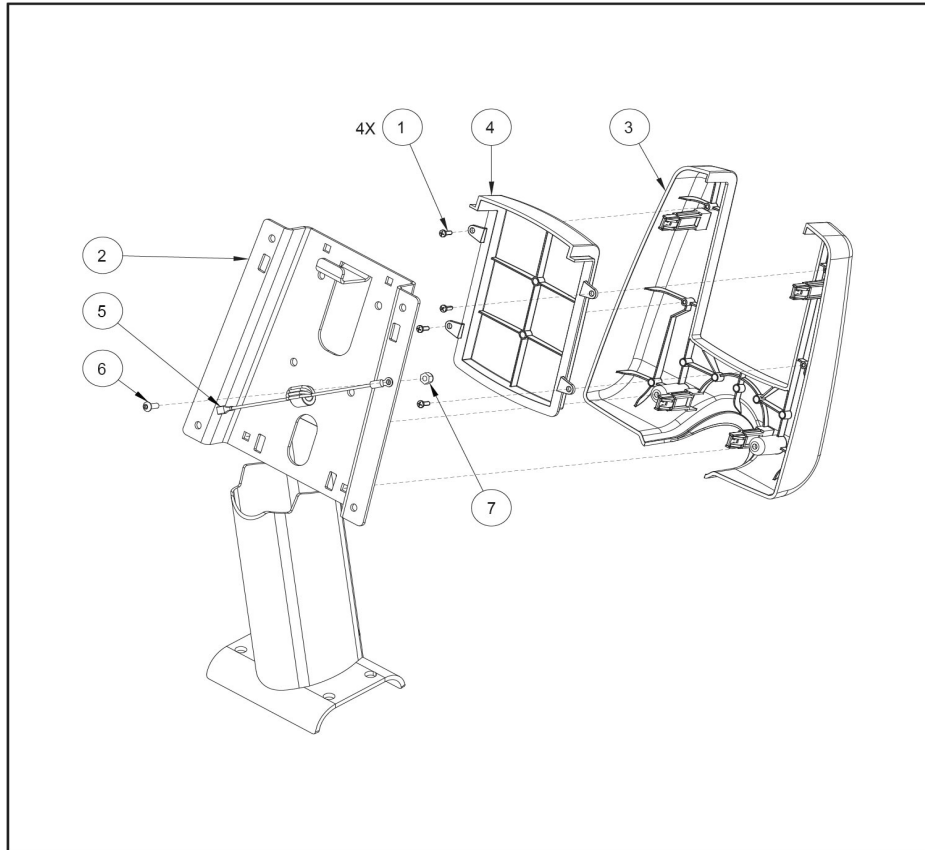
773AT Arm Linkage Assembly



Ref #	Part Number	Qty	Description
1	600A-311	2	SPACER FLANGE
14	773ATK002	1	KIT, LINKAGE ROD LEFT
15	773ATK003	1	KIT, LINKAGE ROD RIGHT
16	750A-312	2	Tube Spacer
K16	773ATK007	1	KIT, LINKAGE CAP
17	750A-325	2	Tube Spacer
22	773ATK014	1	KIT, ARM HANDLE LINKAGE LH
23	773ATK015	1	KIT, ARM HANDLE LINKAGE RH
25	773ATK008	2	KIT, FOOT PLATE ARM, REAR
26	771A-322	4	PLATE, SPACER
A41	770A-401	2	CAP, END, 1.680 OD
42	770A-345	1	WASHER, MDPE, .150 ID X .500 OD X .100
43	HP296712	1	PIN, SPRING .156 X .500
A44	770AT-306	2	GRIP, 9.50 INCHES
44	FB030256	4	BEARING BALL 1.181 DIA DOUBLE ROW
A45	770AT-310-24LF	1	HANDLE COVER OUTSIDE, LH
45	FC030003	4	TOLERANCE RING 2.4409 ID
46	FC030011	4	Tolerance Ring .62mm dia
A46	770AT-311-24LF	1	COVER HANDLE INSIDE, LH
A47	770AT-312-24LF	1	HANDLE COVER OUTSIDE, RH
A48	770AT-313-24LF	1	COVER HANDLE INSIDE, RH
48	HB-17280	4	BEARING,BALL,SINGLE ROW,6206

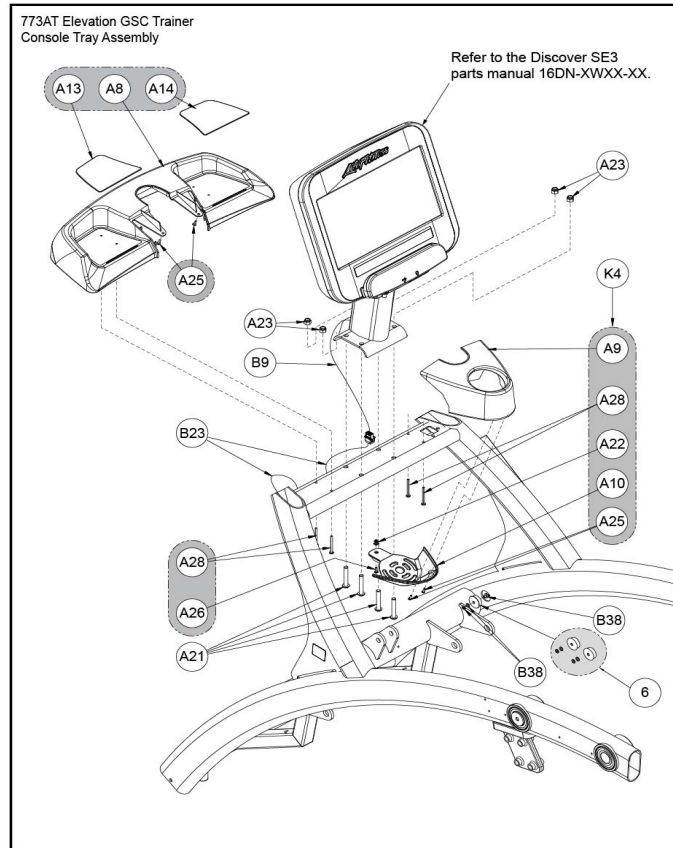
Ref #	Part Number	Qty	Description
A49	HC700922	2	FHSCS .375-16 X 1.500, SS
50	HC700415	4	BHSCS .375-16 X .75
A50	HT552510	4	TAP SC NO 6-20 X .375 AB PHIL
51	HC701228	2	HX HD CAP SC .375-16 X 2.25
A51	HF709000	2	NSERT 1.12 X .375-16 UNC
52	HC701230	6	HX HD CAP SC .375-16 X 2.500
A53	771AT-206	1	W SIDE HANDLE LH
A54	771AT-207	1	W SIDE HANDLE RH
60	HN704901	8	LOCKNUT .375-16 NYLON
62	HS307601	4	WASH FLAT .281 .500 .062 T
63	HS307603	2	WASHER FLAT .253 ID X .750 OD X .120
67	HS347602	4	WASHER .390 X 1.500 X .124 FLAT
74	HX622815	6	SHCS .250-20 X .75 SS
79	600AK012	4	KIT LINKAGE CAP
80	YA000201	1	ADH THRD LKR REM .02 OZ 242
82	YG000007	1	GREASE TRANS LUBRIPLATE 1200-2

773AT Console Mount Assembly



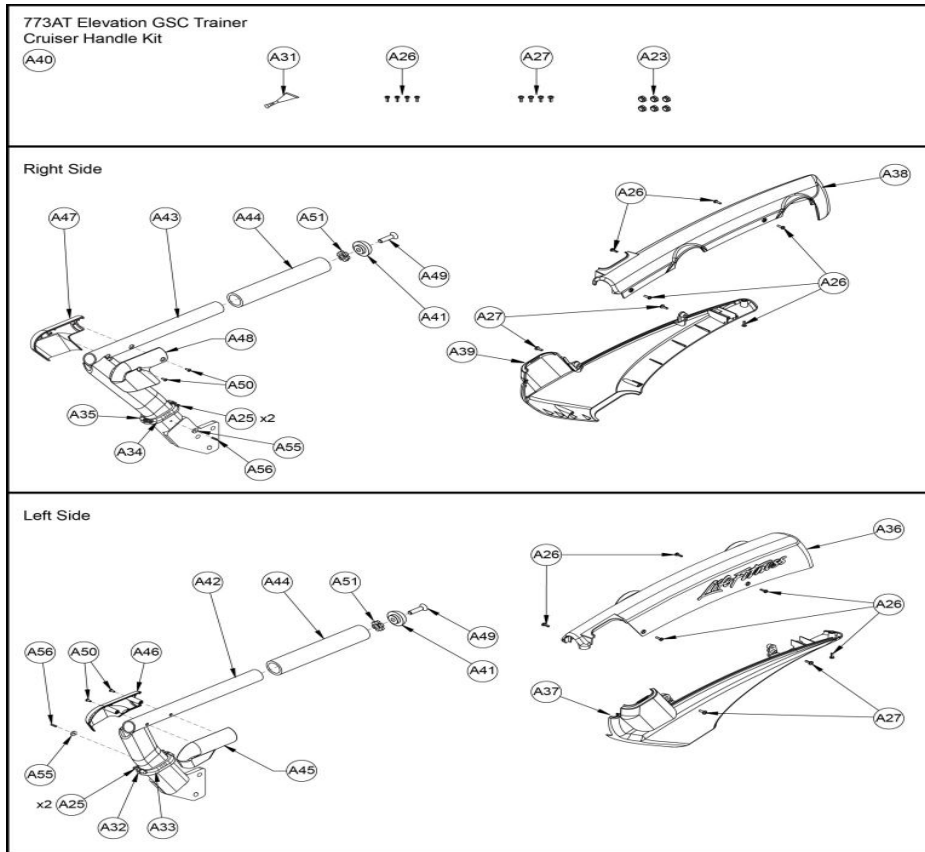
Ref #	Part Number	Qty	Description
1	0017-00101-1650	4	SCREW: 6-19 X 6, PHL, PAN, PLT, ST, ZB, VMI
2	1011569-0001	1	WELDMENT: MOUNT, CONSOLE, ARC, LB
3	773AT-315	1	CONSOLE, BACK SHROUD
4	1007407-0001	1	ASSEMBLY: SHROUD, REAR, FILLER
5	AW-25964	1	CABLE, CONSOLE GROUND 4-PASS FERRITE
6	JC570412	1	BHSCS .190 10-24 X .50
7	HN575100	1	LOCKNUT .190-NO 10-24

773AT Console Tray Assembly



Ref #	Part Number	Qty	Description
K4	773ATK019	1	KIT, TRAY
6	770ATK010	1	KIT, CABLE NUT-WASHER
A8	770A-316	1	TRAY ACCESSORY
B9	AW-26008	1	CABLE,GSC TRAINER CONSOLE POST
A9	770A-317	1	HOLDER, CUP, TOP
A10	770A-318	1	HOLDER, CUP,BOTTOM
A13	773AT-326	1	DECAL 773AT, LH
A14	773AT-327	1	DECAL 773AT, RH
A21	HC700428	4	BHSCS .375-16 X 2.25
A22	HF540200	1	GROMMET NYLON
B23	AW-20935	1	Cable Frame Harness
A23	HN704901	4	LOCKNUT .375-16 NYLON
A25	HT532512	4	PN HD PHIL SC #6 X .50 PLASTITE
A26	HT552512	1	TAP SC NO. 8-16 X .50 PLASTITE PAN HEAD PHILLIPS BLACK
A28	HT592526	4	Tap Sc 10-12 x 2.00 Pn Hd Phil
B38	AW-21415	1	Cable CHR Frame

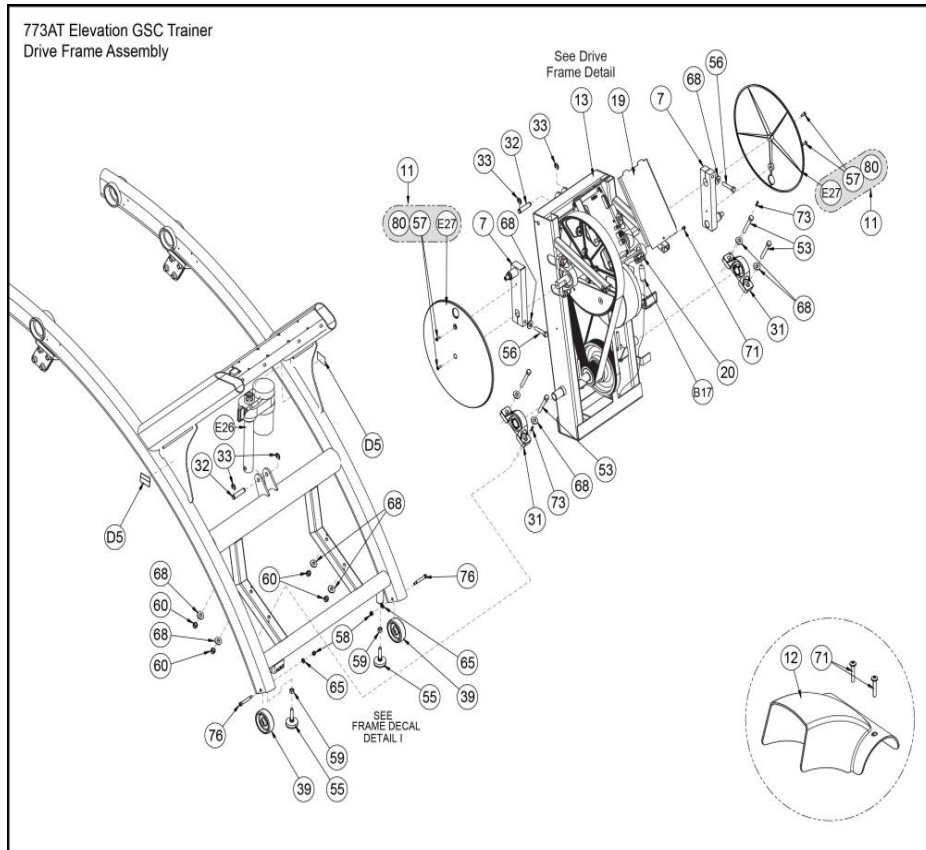
773AT Cruiser Handle Kit



Ref #	Part Number	Qty	Description
A23	HN704901	6	LOCKNUT .375-16 NYLON
A25	HT532512	4	PN HD PHIL SC #6 X .50 PLASTITE
A26	HT552512	4	TAP SC NO. 8-16 X .50 PLASTITE PAN HEAD PHILLIPS BLACK
A27	HT572515	4	SCREW, PAN HEAD PHILIPS 10-24 X .75 TYPE 23, BLK
A31	YA000201	1	ADH THRD LKR REM .02 OZ 242
A32	770A-334-24LF	1	COLLAR, LH, INNER
A33	770A-335-24LF	1	COLLAR, LH, OUTER
A34	770A-340-24LF	1	COLLAR, RH, INNER
A35	770A-341-24LF	1	COLLAR, OUTER, RH
A36	773AT-309	1	COVER, REAR TOP LH
A37	770A-320-24LF	1	COVER, REAR, OUTER, LH
A38	773AT-310	1	COVER, REAR, TOP, RH
A39	770A-323-24LF	1	COVER, REAR, OUTER, RH
A40	626ATK015	1	KIT, CRUISER HANDLE
A41	770A-401	2	CAP, END, 1.680 OD
A42	771AT-206	1	W SIDE HANDLE LH
A43	771AT-207	1	W SIDE HANDLE RH
A44	770AT-306	2	GRIP, 9.50 INCHES
A45	770AT-310-24LF	1	HANDLE COVER OUTSIDE, LH
A46	770AT-311-24LF	1	COVER HANDLE INSIDE, LH
A47	770AT-312-24LF	1	HANDLE COVER OUTSIDE, RH

Ref #	Part Number	Qty	Description
A48	770AT-313-24LF	1	COVER HANDLE INSIDE, RH
A49	HC700922	2	FHSCS .375-16 X 1.500, SS
A50	HT552510	4	TAP SC NO 6-20 X .375 AB PHIL
A51	HF709000	2	NSERT 1.12 X .375-16 UNC
A55	770A-345	2	WASHER, MDPE, .150 ID X .500 OD X .100
A56	HP296712	2	PIN, SPRING .156 X .500

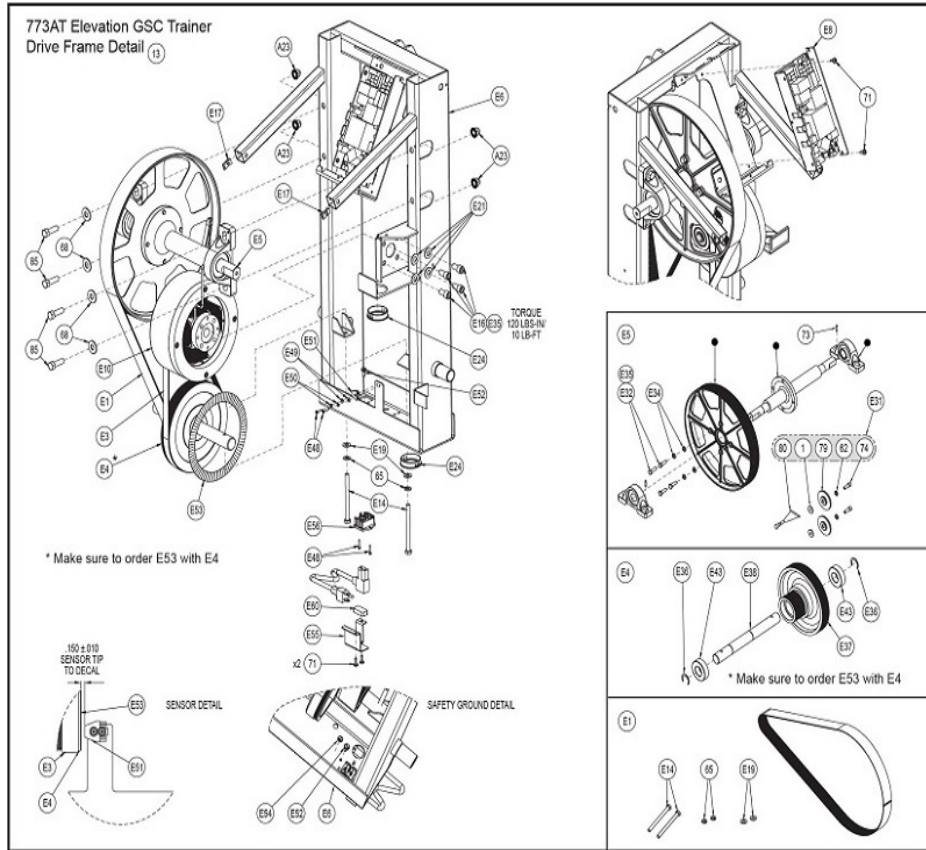
773AT Drive Frame Assembly



Ref #	Part Number	Qty	Description
D5	8039501	2	LABEL, WARNING TRIANGLE
7	610A-395	2	ASSY ARM CRANK
11	773ATK020	2	KIT, CRANK COVER
12	740A-354	1	Cover Elevation Motor
13	772A-101	1	DRIVE FRAME ASSEMBLY
B17	770A-410	1	FERRITE, 407 OHMS
19	771A-316	1	COVER, CONTROLLER
20	750A-396	1	Ferrite Clamp-on .40 ID
E26	MR-23817	1	MOTOR, ELEVATION, 230VAC, 50/60 HZ
E26	MR-23816	1	MOTOR, ELEVATION, 115VAC, 50/60 HZ
E27	1006629-0002	2	COVER, CRANK-CHR
31	AF-16694	2	ASSY,BEARING,PILLOW BLOCK
32	AP030055	1	Pin Groove .50 x 2.00
33	BR030228	2	Retaining Ring .500 External
39	CW-17231	2	WHEEL, TENSIONER
53	HC701234	4	HX HD CAP SC .375-16 X 3.00
55	HG700022	2	LEVELING GLIDE 3-8-16
56	HH701226	2	BOLT, HHCS GRD 8, .375-16 X 2.0
57	HM582514	4	PN HD PHIL SC NO 10-32 X .625 BLK ZN
58	HN624901	2	LOCKNUT .250-20 NYLON BLACK ZINC
59	HN704000	2	HEX NUT .375-16
60	HN704901	4	LOCKNUT .375-16 NYLON

Ref #	Part Number	Qty	Description
65	HS328300	2	LOCKWASHER SPLIT .312
68	HS347700	10	WASHER USS .375
71	HT572512	1	TAP SC NO. 10 - 24 X .50 PN HD PHIL
73	HX-17023	2	PIN,SPRING .187X.813 LG,TYPE 420,ST STL
76	JD623324	2	S BOLT .312 X 1.75 .250-20
80	YA000201	1	ADH THRD LKR REM .02 OZ 242

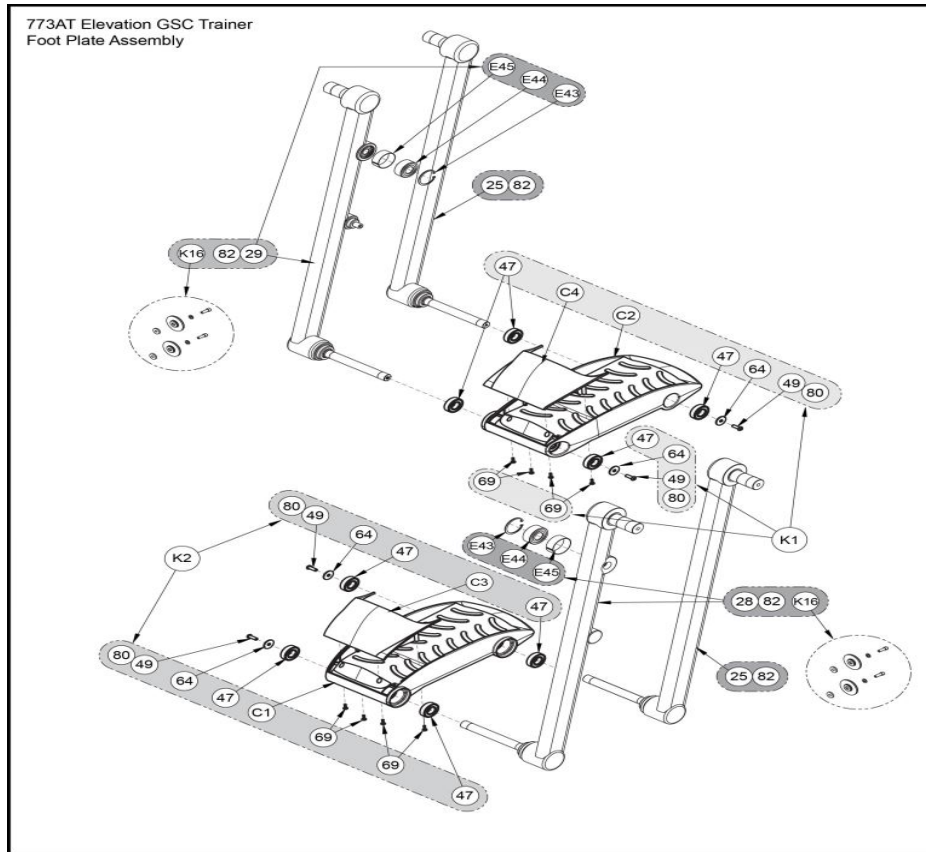
773AT Drive Frame Detail



Ref #	Part Number	Qty	Description
E1	773ATK005	1	KIT, 16 RIB BELT TENSIONING
1	600A-311	2	SPACER FLANGE
E3	630A-328	1	BELT SECONDARY DRIVE 7 RIB
E4	771A-110	1	DOUBLE PULLEY ASSY
E5	773ATK006	1	KIT, PULLEY CRANK SHAFT
E6	771A-205	1	W DRIVE FRAME (BLACK WRINKLE ONLY)
E8	1009604-0001	1	ASSEMBLY: LOWER CONTROL BOARD, AC ARC BRAKE, EDDY CURRENT (900W), WITHOUT GENERATOR
E10	MR-23667	1	DRIVE FRAME ASSEMBLY
13	772A-101	1	HX HD CAP SC .312-18 X 3.75
E14	HC661240	2	SHCS .375-16 X .750
E16	HC702815	4	PANEL FASTENER 10-24 U TYPE
E17	HF579000	2	WASHER SAE .312
E19	HS327600	2	WASHER SAE .375
E21	HS347600	4	LOCKNUT, .375-16 SERRATED HEX
A23	HN704001	2	BUSHING, 1.275IDX1.87 OD, NYLON INSULATED
E24	HX-17050	1	KIT, LINKAGE CAP
E31	773ATK007	1	HX HD CAP SC .312-18 X 1.000
E32	HC661217	4	WASH FLAT .380 .625 .090 T
E34	HS760100	1	ADH THRD LKR PERM .5 ML 262
E35	YA000221	2	RING RETAINING EXT CRESCENT
E36	BR030221		

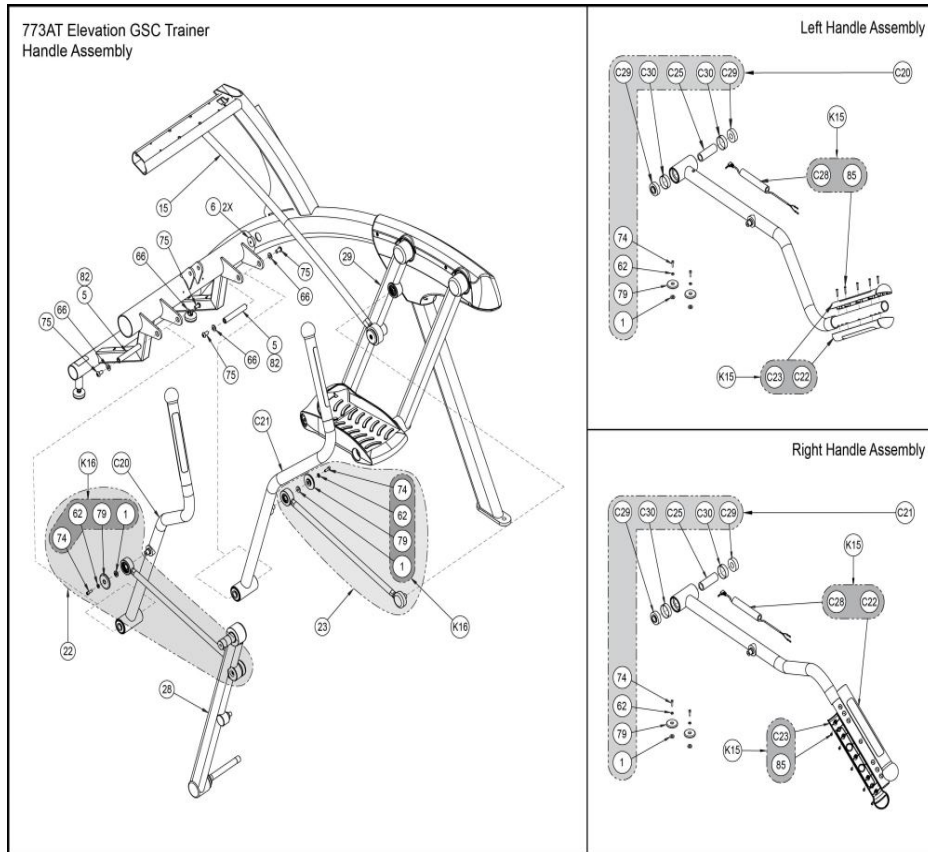
Ref #	Part Number	Qty	Description
E37	600AK014	1	KIT LOWER PULLEY ASSY
E38	771A-318	1	SHAFT, LOWER
E43	FB030243	2	BEARING 25MMIDX52MMOD 6205
E48	HM522514	4	PN HD PHIL SC NO 4-40 X .62
E49	HS047600	2	WASHER SAE .112 NO 4
E50	HS048300	2	LOCKWASHER SPLIT .112-NO 4
E51	EW600003	2	CABLE OPTO SENSOR ARMORED
E52	JH581512	1	SCREW, HEX WASHER HEAD 10-32 X .50 TAPTITE GREEN GROUND
E53	DE-17019	1	DISC,SPEED SENSOR
E54	CM000237	1	DECAL SAFETY GROUND
E55	525AT-396	1	BRACKET, POWER CORD RETAINING
E56	771A-319	1	MODULE, IEC 320 C14, SWITCHED
E60	20000-560	1	BUMPER
62	HS307601	2	WASH FLAT .281 .500 .062 T
65	HS328300	4	LOCKWASHER SPLIT .312
68	HS347700	4	WASHER USS .375
71	HT572512	4	TAP SC NO. 10 - 24 X .50 PN HD PHIL
73	HX-17023	2	PIN,SPRING .187X.813 LG,TYPE 420,ST STL
74	HX622815	2	SHCS .250-20 X .75 SS
79	600AK012	2	KIT LINKAGE CAP
80	YA000201	1	ADH THRD LKR REM .02 OZ 242
85	HC701220	4	BOLT,3-8-16X1.25.HXHD

773AT Foot Plate Assembly



Ref #	Part Number	Qty	Description
K1	773ATK012	1	KIT, FOOT PLATE RIGHT
C1	740A-378	1	Foot Plate LH
C2	740A-379	1	Foot Plate RH
K2	773ATK013	1	KIT, FOOT PLATE LEFT
C3	740A-380	1	Toe Cap LH
C4	740A-381	1	Toe Cap RH
K16	773ATK007	2	KIT, LINKAGE CAP
25	773ATK004	2	KIT, CABLE NUT-WASHER
28	773ATK009	1	KIT, FOOT PLATE ARM, FRONT LEFT SIDE
29	773ATK010	1	KIT, FOOT PLATE ARM, FRONT RIGHT SIDE
E43	BR030225	2	RETAINING RING 1.438 INTERNAL
E44	FB030248	2	BEARING: BALL, DOUBLE ROW, SELF ALIGNING
E45	FC030005	2	TOLERANCE RING 1.375 ID
47	HB-17036	8	BEARING,BALL, .750DIA
49	HC620415	4	BHSCS .250-20 X .75, BL ZN
64	HS307604	4	WASHER, FLAT .281 ID X 1.000 OD X .063 TH BL ZN
69	HT552512	8	TAP SC NO. 8-16 X .50 PLASTITE PAN HEAD PHILLIPS BLACK
80	YA000201	1	ADH THRD LKR REM .02 OZ 242
82	YG000007	1	GREASE TRANS LUBRIPLATE 1200-2

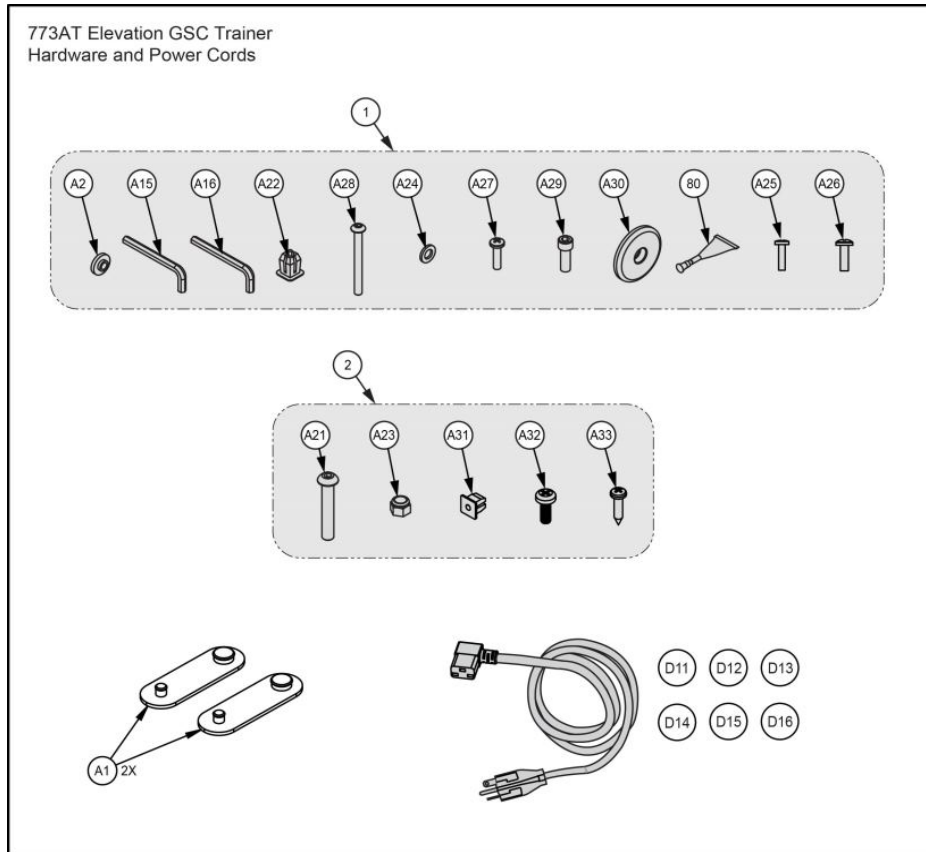
773AT Handle Assembly



Ref #	Part Number	Qty	Description
1	600A-311	4	SPACER FLANGE
5	610A-351	2	PIN PIVOT
6	610AK021	2	KIT PLUG INSERT
15	773ATK003	1	KIT, LINKAGE ROD RIGHT
K15	773ATK016	2	KIT, CONTACT GRIPS WITH WIRES
K16	773ATK007	2	KIT, LINKAGE CAP
C20	773ATK017	1	KIT, ARM HANDLE, LEFT SIDE
C21	773ATK018	1	KIT, ARM HANDLE, RIGHT SIDE
C22	425A-378	2	GRIP HOUSING WITH METAL PLATEFRONT
22	773ATK014	1	KIT, ARM HANDLE LINKAGE LH
C23	425A-379	2	GRIP: CHR BACK, W/SCREWS
23	773ATK015	1	KIT, ARM HANDLE LINKAGE RH
C25	610A-356	2	TUBE SPACER
C28	AW-18286	2	CABLE 610A CHR GRIP
28	773ATK009	1	KIT, FOOT PLATE ARM, FRONT LEFT SIDE
29	770ATK009	1	KIT, FOOT PLATE ARM, FRONT RIGHT SIDE
C29	FB030232	4	BRG RADIAL 17MM ID EXT RACE
C30	FC030006	4	TOLERANCE RING 1.575 ID
62	HS307601	6	WASH FLAT .281 .500 .062 T
66	HS347600	4	WASHER SAE .375
74	HX622815	6	SHCS .250-20 X .75 SS
75	HX700415	4	BHSCS .375-16 X .75 SS

Ref #	Part Number	Qty	Description
79	600AK012	6	KIT LINKAGE CAP
82	YG000007	1	GREASE TRANS LUBRIPLATE 1200-2
85	HT532515	10	PN HD PHIL SC NO 6 X .75 PLASTITE

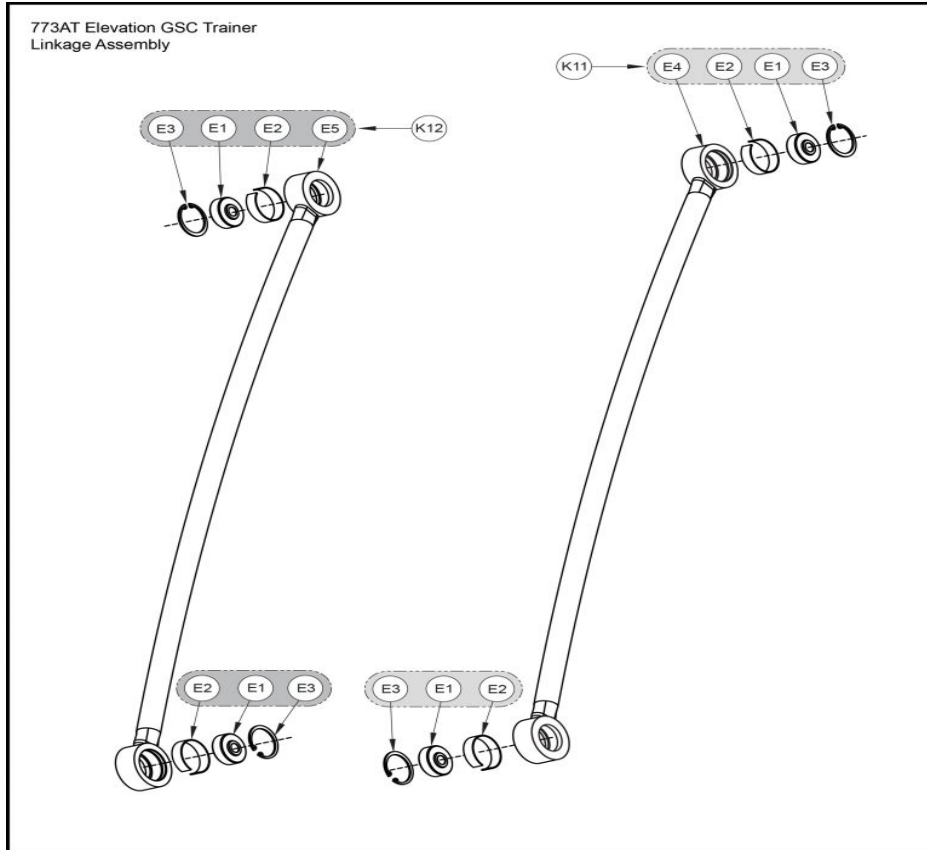
773AT Hardware Power Cords



Ref #	Part Number	Qty	Description
1	773AT-340	1	HARDWARE PACK, 773AT
A1	12090-322	2	PAD FOOT (6.25")
2	773AT-341	1	HARDWARE PACK, 773AT CONSOLE MOUNT, LF
A2	600A-311	2	SPACER FLANGE
D11	0017-00003-1084	1	LINE-CORD: ARGENTINA, IEC-C13 LEFT ANGLE
D12	0017-00003-1085	1	LINE-CORD: AUSTRALIA, IEC-C13 LEFT ANGLE
D13	0017-00003-1083	1	LINE-CORD: BRAZIL, IEC-C13 LEFT ANGLE
D14	0017-00003-1086	1	LINE-CORD: CON, RA PLUG, IEC-C13 LEFT ANGLE
D15	0017-00003-1082	1	LINE-CORD: DOM, RA OFFSET PLUG, IEC-C13 LEFT ANGLE
A15	BK030201	1	HEX KEY .188IN
A16	BK030204	2	HEX KEY .219IN
D16	0017-00003-1087	1	LINE-CORD: UK, RA PLUG, IEC-C13 LEFT ANGLE
A21	HC700428	4	BHSCS .375-16 X 2.25
A22	HF540200	1	GROMMET NYLON
A23	HN704901	4	LOCKNUT .375-16 NYLON
A24	HS307601	2	WASH FLAT .281 .500 .062 T
A25	HT532512	2	PN HD PHIL SC #6 X .50 PLASTITE
A26	HT552512	19	TAP SC NO. 8-16 X .50 PLASTITE PAN HEAD PHILLIPS BLACK
A27	HT572515	8	SCREW, PAN HEAD PHILIPS 10-24 X .75 TYPE 23, BLK
A28	HT592526	4	Tap Sc 10-12 x 2.00 Pn Hd Phil

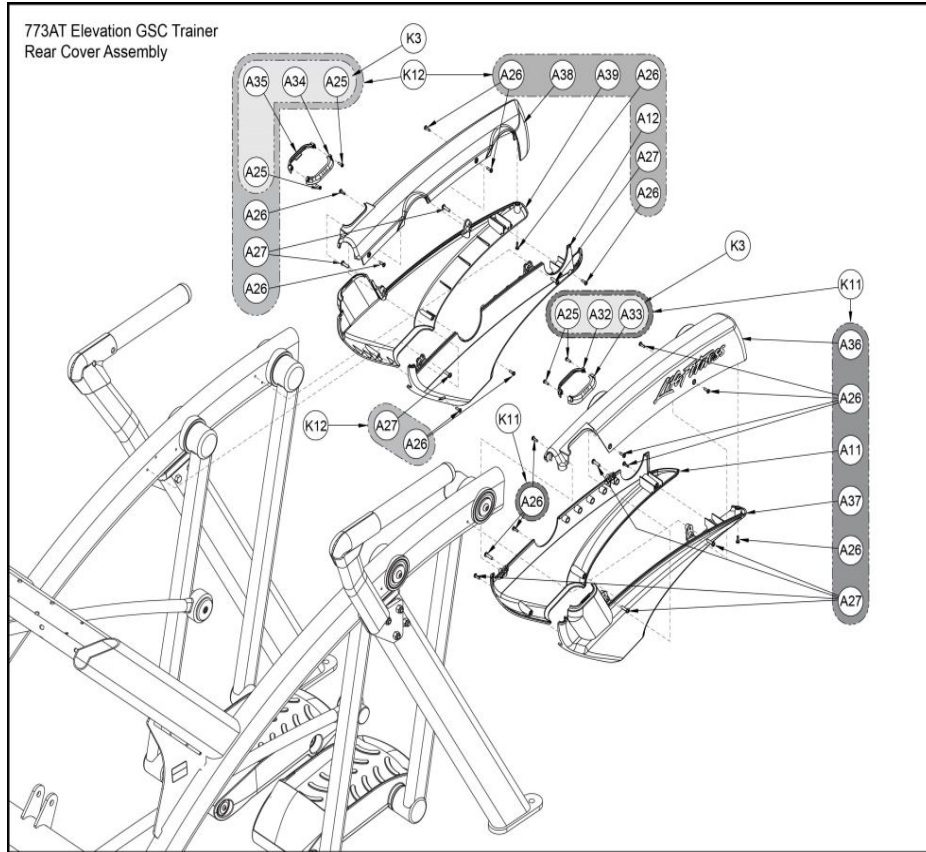
Ref #	Part Number	Qty	Description
A29	HX622815	2	SHCS .250-20 X .75 SS
A30	600AK012	3	KIT LINKAGE CAP
A31	0017-00042-1147	2	GROMMET: SCREW, 8 OR 10
A32	0017-00101-1940	4	SCREW: M5 X 0.8 X 14, PHL, PAN, MS, ST, ZN
A33	0017-00101-1796	2	SCREW: M4.2 X 0.7 6G6G X 19, DIN, PHL, PAN, AB, ST, ZB
80	YA000201	1	ADH THRD LKR REM .02 OZ 242

773AT Linkage Assembly



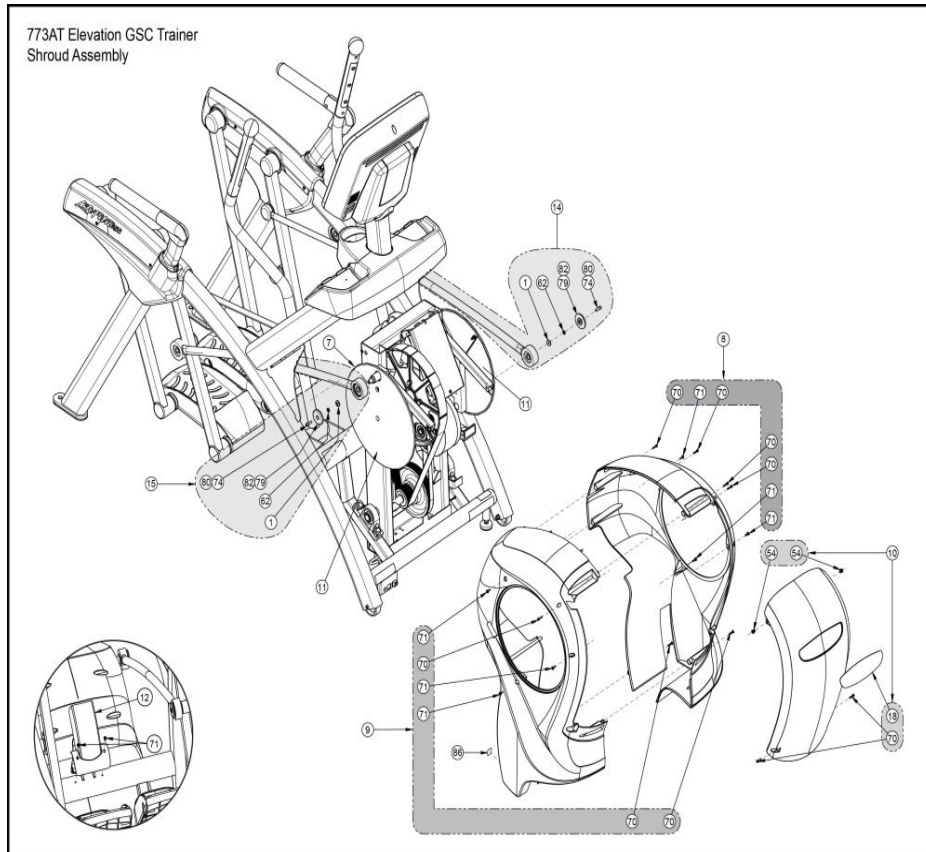
Ref #	Part Number	Qty	Description
E1	FB030244	4	BEARING, .50IDX1.688OD,RADIAL BALL,SELF ALIGN
E2	FC030004	4	TOLERANCE RING 42MM ID
E3	HX-17143	4	RING RETAINING,INT,5000-168
E4	750AK006	1	KIT, LINKAGE ROD LEFT
E5	750AK007	1	KIT, LINKAGE ROD RIGHT
K11	773ATK002	1	KIT, LINKAGE ROD LEFT
K12	773ATK003	1	KIT, LINKAGE ROD RIGHT

773AT Rear Cover Assembly



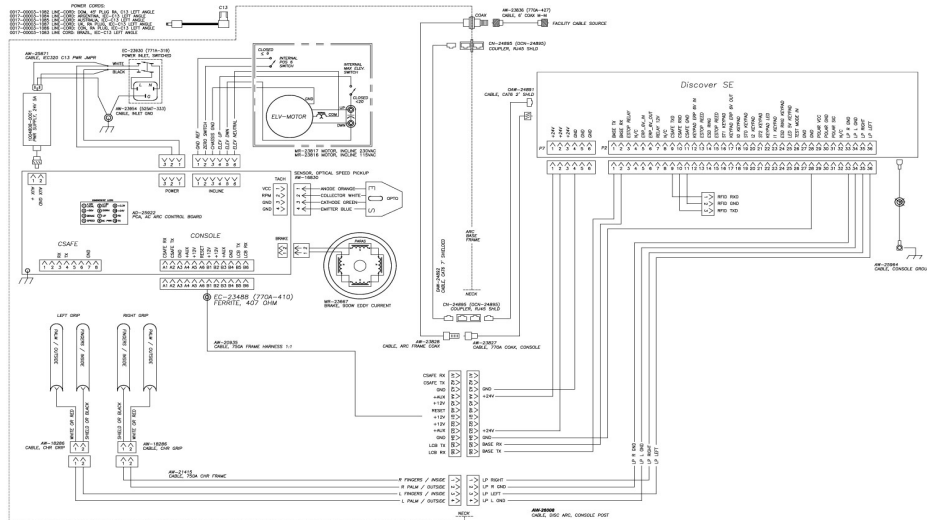
Ref #	Part Number	Qty	Description
K3	773ATK021	1	KIT, COLLAR SET
K11	773ATK022	1	KIT, PIVOT COVER, LEFT SIDE
A11	770A-321-24LF	1	COVER, REAR, INNER, LH
K12	773ATK023	1	KIT, PIVOT COVER, RIGHT SIDE
A12	770A-324-24LF	1	COVER, INNER, REAR, RH
A25	HT532512	4	PN HD PHIL SC #6 X .50 PLASTITE
A26	HT552512	16	TAP SC NO. 8-16 X .50 PLASTITE PAN HEAD PHILLIPS BLACK
A27	HT572515	8	SCREW, PAN HEAD PHILIPS 10-24 X .75 TYPE 23, BLK
A32	770A-334-24LF	1	COLLAR, LH, INNER
A33	770A-335-24LF	1	COLLAR, LH, OUTER
A34	770A-340-24LF	1	COLLAR, RH, INNER
A35	770A-341-24LF	1	COLLAR, OUTER, RH
A36	773AT-309	1	COVER, REAR TOP LH
A37	770A-320-24LF	1	COVER, REAR, OUTER, LH
A38	773AT-310	1	COVER, REAR, TOP, RH
A39	770A-323-24LF	1	COVER, REAR, OUTER, RH

773AT Shroud Assembly



Ref #	Part Number	Qty	Description
1	600A-311	2	SPACER FLANGE
7	610A-395	1	ASSY ARM CRANK
8	773ATK024	1	KIT, GSC COVER LEFT
9	773ATK025	1	KIT, GSC COVER RIGHT
10	773ATK026	1	KIT, ACCESS COVER (with LF decal)
11	773ATK020	2	KIT, CRANK COVER
12	740A-354	1	Cover Elevation Motor
14	773ATK002	1	KIT, LINKAGE ROD LEFT
15	773ATK003	1	KIT, LINKAGE ROD RIGHT
18	773AT-325	1	DECAL LOGO, GSC
54	HF540200	2	GROMMET NYLON
62	HS307601	2	WASH FLAT .281 .500 .062 T
70	HT552515	8	TAP SC NO. 8-16 X .75 PLASTITE PN HD PHIL BLK
71	HT572512	8	TAP SC NO. 10 - 24 X .50 PN HD PHIL
74	HX622815	2	SHCS .250-20 X .75 SS
79	600AK012	2	KIT LINKAGE CAP
80	YA000201	1	ADH THRD LKR REM .02 OZ 242
82	YG000007	1	GREASE TRANS LUBRIPLATE 1200-2
86	CM000268	1	DECAL, ON/OFF POWER

773AT Wiring Diagram



Ref #	Part Number	Qty	Description
-	0017-00003-1083	1	LINE-CORD: BRAZIL, IEC-C13 LEFT ANGLE
-	0017-00003-1087	1	LINE-CORD: UK, RA PLUG, IEC-C13 LEFT ANGLE
-	MR-23667	1	BRAKE, EDDY CURRENT (900W), WITHOUT GENERATOR
-	MR-23816	1	MOTOR, ELEVATION, 115VAC, 50/60 HZ
-	OAW-24892	1	CABLE, CAT6 SHIELED, 7 FT(84 IN.)
-	EF-12123	2	FUSE 4A SLO-BLO 5X20MM
-	0017-00003-1082	1	LINE-CORD: DOM, RA OFFSET PLUG, IEC-C13 LEFT ANGLE
-	AW-23828	1	CABLE,770A,RG59 COAX,X FRAME
-	AW-21415	1	Cable CHR Frame
-	AW-23836	1	CABLE,6' COAX F-TYPE M-M
-	771A-319	1	MODULE, IEC 320 C14, SWITCHED
-	525AT-333	2	CABLE, INLET GND
-	AW-25964	1	CABLE, CONSOLE GROUND 4-PASS FERRITE
-	MR-23817	1	MOTOR, ELEVATION, 230VAC, 50/60 HZ
-	AW-26008	1	CABLE,GSC TRAINER CONSOLE POST
-	CN-24895	1	COUPLER,CAT6 SHIELDED RJ45 8 C
-	1004808-0001	1	POWER SUPPLY: INPUT 100-240VAC, OUTPUT 24VDC 2.5A, 2.5MM PLUG
-	AW-20935	1	Cable Frame Harness
-	AW-23827	1	CABLE,2' COAX 3GHZ F-TYPE M-M JUMPER

Ref #	Part Number	Qty	Description
-	AW-25871	1	Cable, 773AT Power INLET
-	0017-00003-1085	1	LINE-CORD: AUSTRALIA, IEC-C13 LEFT ANGLE
-	OAW-24891	1	CABLE, CAT6 SHIELED, 2 FT(24 IN.), BLK
-	770A-410	1	FERRITE, 407 OHMS
-	AW-18286	2	CABLE 610A CHR GRIP
-	EW600003	1	CABLE OPTO SENSOR ARMORED
-	0017-00003-1086	1	LINE-CORD: CON, RA PLUG, IEC-C13 LEFT ANGLE
-	1009604-0001	1	ASSEMBLY: LOWER CONTROL BOARD, AC ARC
-	0017-00003-1084	1	LINE-CORD: ARGENTINA, IEC-C13 LEFT ANGLE

