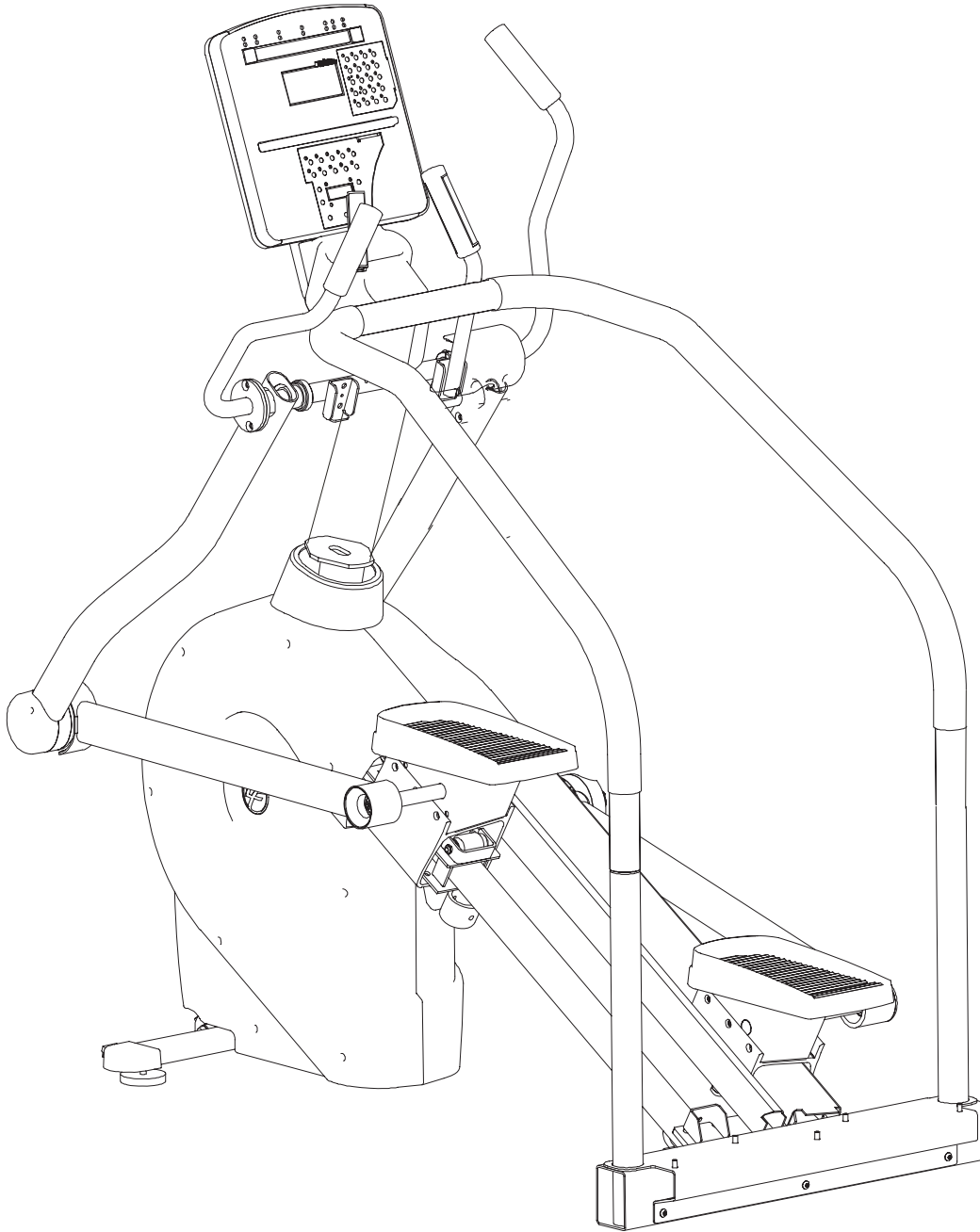


LifeFitness

ARCTIC SILVER SUMMIT
TRAINER 95L-0XXX-01



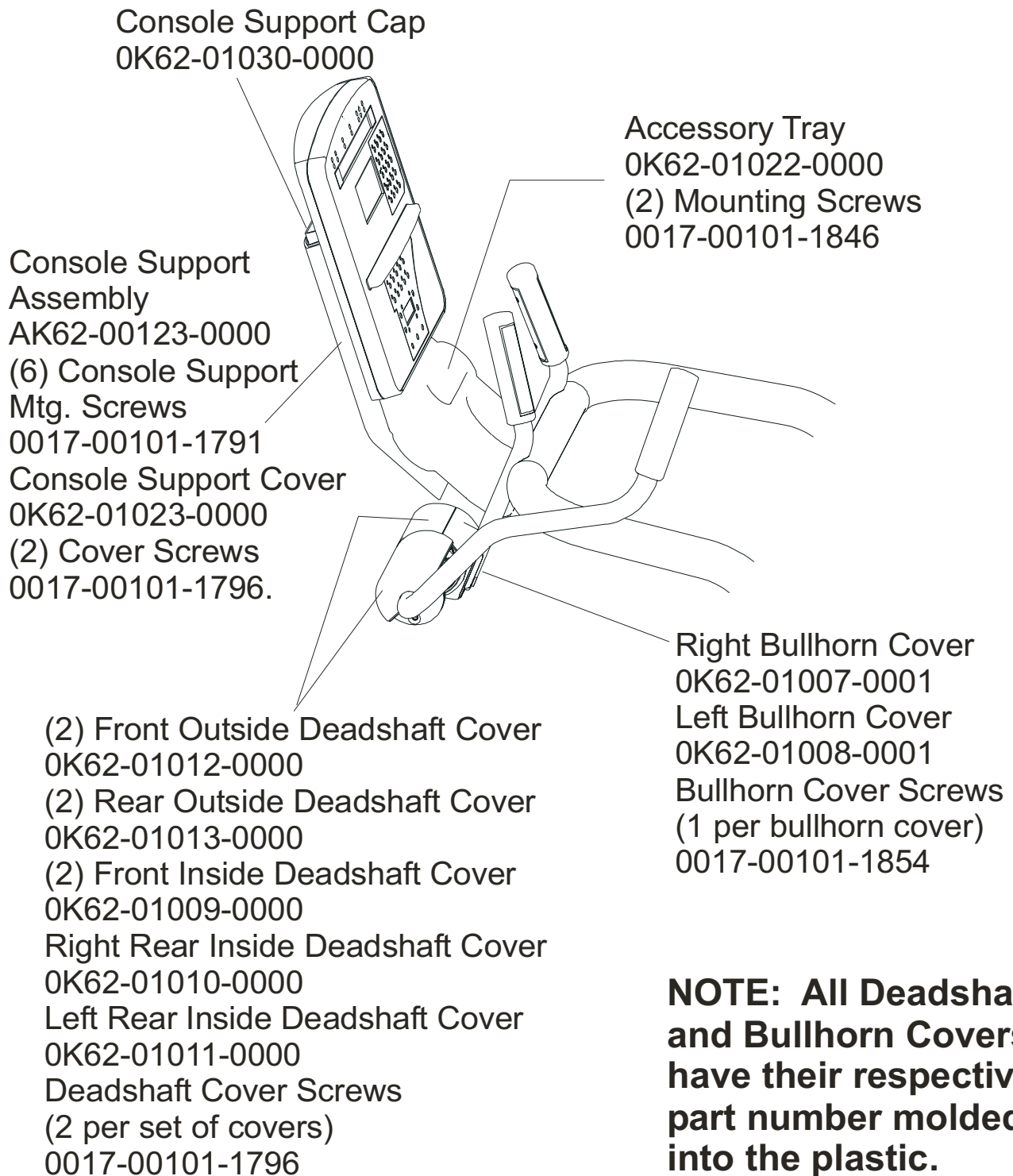
Customer Support Services
PARTS MANUAL rev 03 Nov 2008

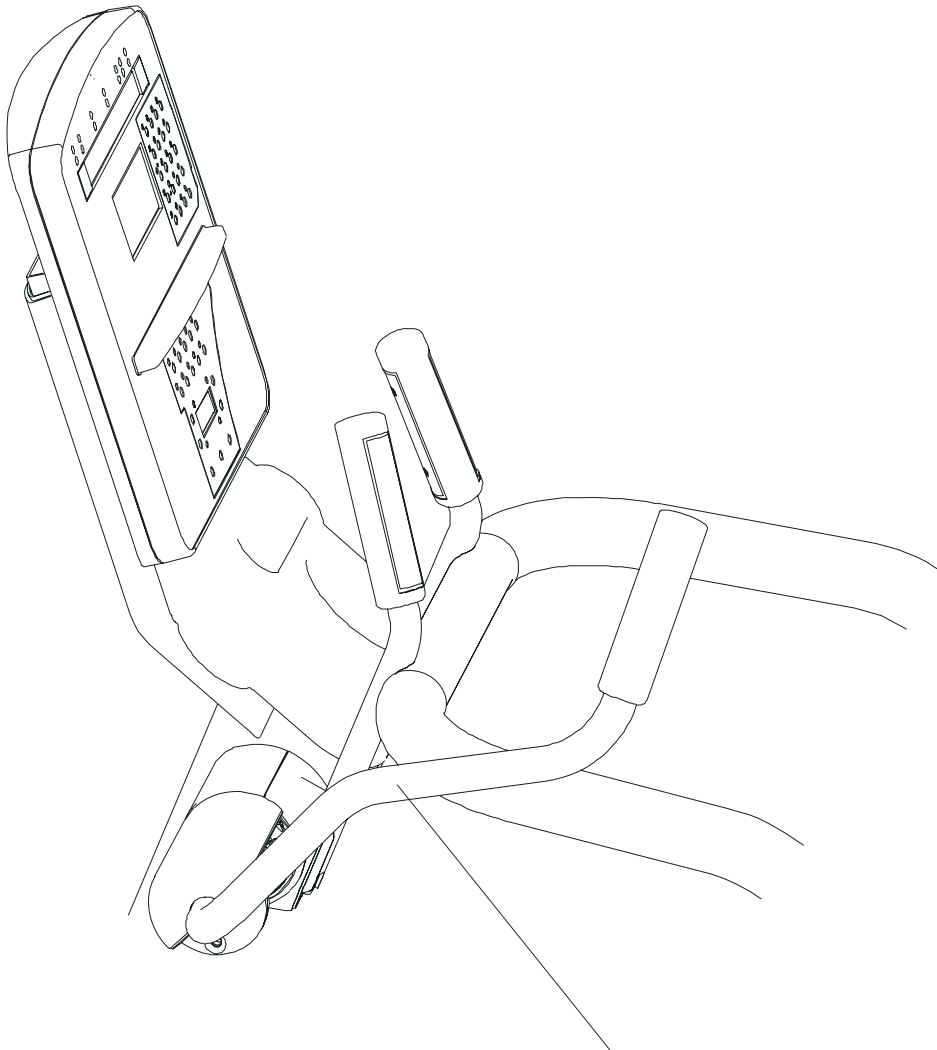
MISCELLANEOUS 3
CONSOLE SUPPORT & DEADSHAFT COVERS..... 4
USER ARMS AND HARDWARE 5
MONOCOLUMN, HANDRAIL AND VERTICAL UPRIGHTS..... 6
CONSOLE AND RELATED COMPONENTS 7
SHROUDS, BOOT AND REAR STEP ASSEMBLY 8
ROCKER ARMS AND CONTROL LINK ASSY'S 9
ROCKER ARM/CONTROL LINK COVERS..... 10
PEDAL TRACK COVERS AND HARDWARE..... 11
PEDALS, TRUCKS AND ROLLERS ASSEMBLY 12
RESISTOR ASSEMBLY AND CROSSOVER PULLEY..... 13
FLEXONIC BELTS AND TENSIONER BRACKET 14
CLUTCH SHAFT AND SPROCKETS 15
CLUTCH PULLEY AND SHAFT ASSEMBLY 16
TIMING BELTS AND SPRINGS 17
POWER CONTROL BOARD, BATTERY & ALTERNATOR 18
ACCESS PANEL, WHEELS AND LEG LEVELERS 19
LOWER TRACK COVER AND HARDWARE 20
CABLES 21

OPERATION MANUAL – (ENG)	M051-00K68-A001
OPERATION MANUAL – (F/S/P)	M051-00K68-A002
OPERATION MANUAL – (G/D/I)	M051-00K68-A003
OPERATION MANUAL – (JAP)	M051-00K68-A004
SERVICE MANUAL	M051-00K68-A030
TOUCH UP PAINT: SPRAY CAN .5 OZ BOTTLE W/APPLICATOR .33 OZ PEN	0017-00008-0204 0017-00008-0205 0017-00008-0206
PCB/ACCESS PANEL ASSY. ASSEMBLY CONSISTS OF: 1) POWER CONTROL BOARD 2) DC POWER CABLE 3) 120" COAX CABLE 4) 120" POWER EXTENSION CABLE 5) ACCESS PANEL BRACKET 6) F-TYPE PANEL CONNECTOR 7) PLASTIC GROMMET (QTY. 4)	AK68-00107-0000 B084-92218-D002 AK47-00063-0000 AK32-00020-0002 AK32-00078-0001 0K68-01031-0000 0017-00021-2846 0017-00042-0821
HARDWARE BAG	AK68-00198-0000

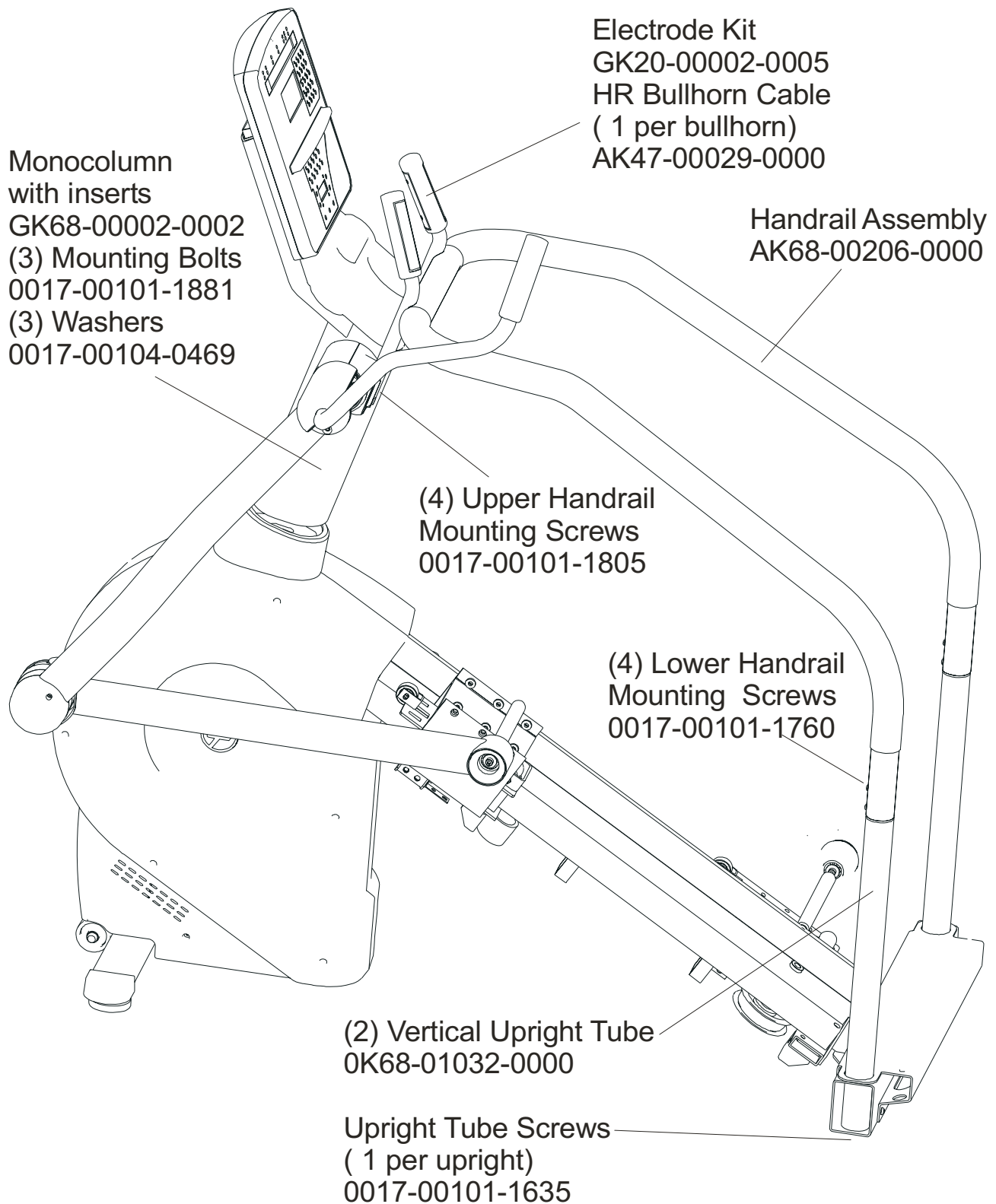
Note: When this model is ordered with an attachable LCD TV it becomes a 95LER-XXXX-01. See the Entertainment parts list marked LCD_0XXX-02 for the part numbers and descriptions for the attachable LCD TV, remote and hardware for this product.

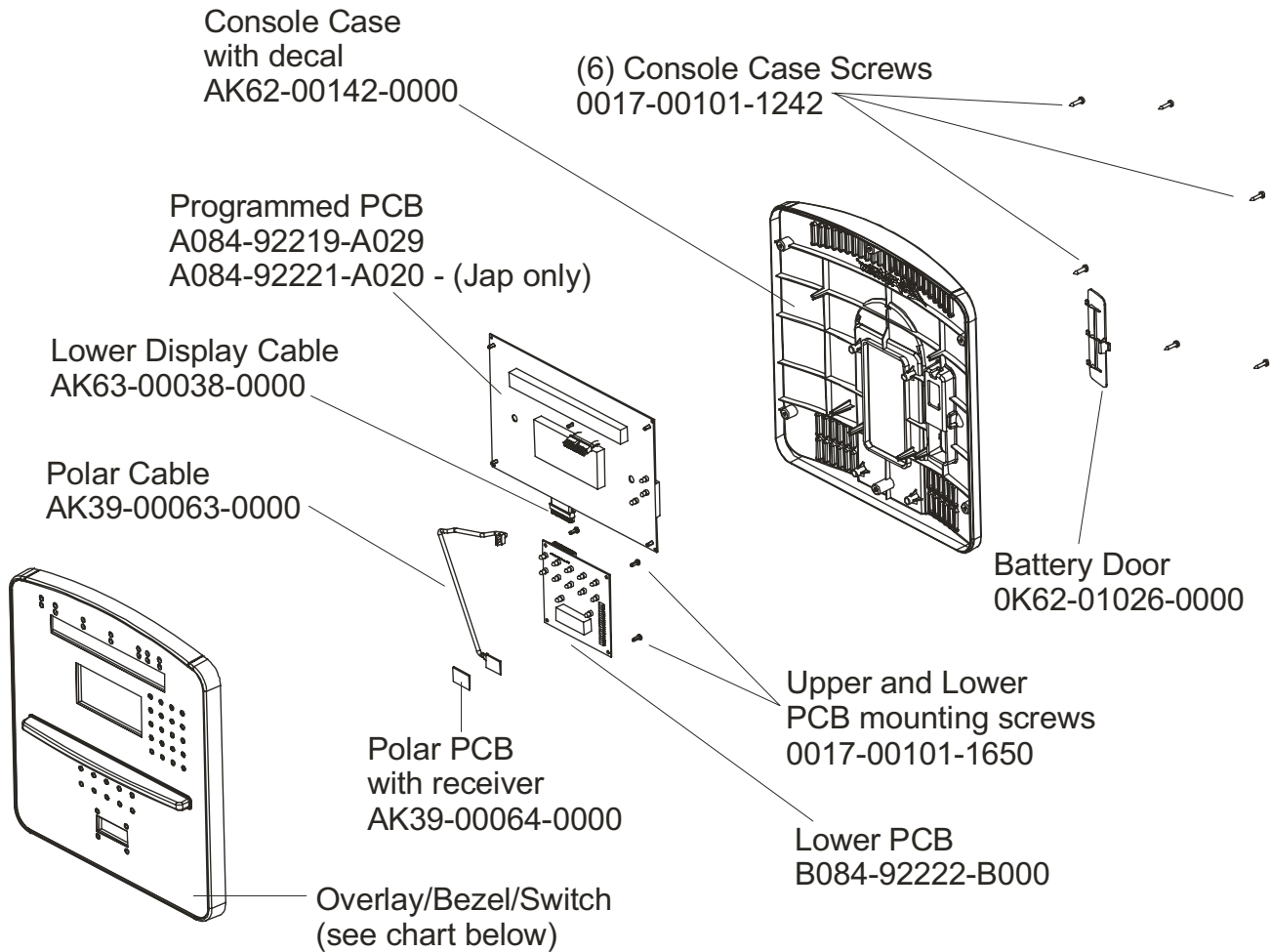
The 95Li comes with both Telemetry and Life Pulse sensors and is pre-wired for the attachable LCD TV.





Right User Arm with grip
AK68-00143-0001
Left User Arm with grip
AK68-00143-0002
Grip
0K62-01138-0000
(3) User Arm Mtg. Screws
0017-00101-1791

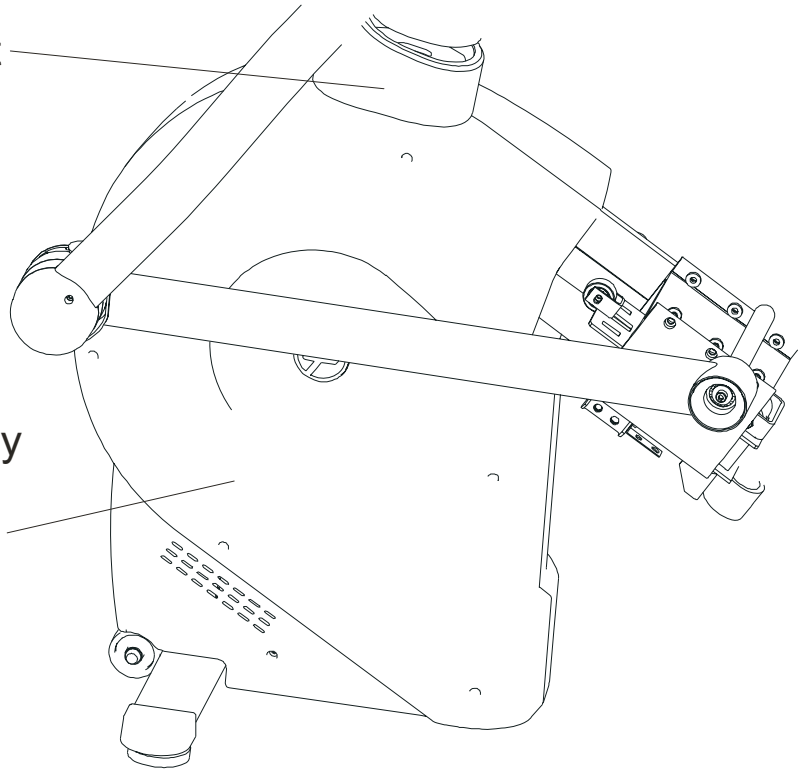




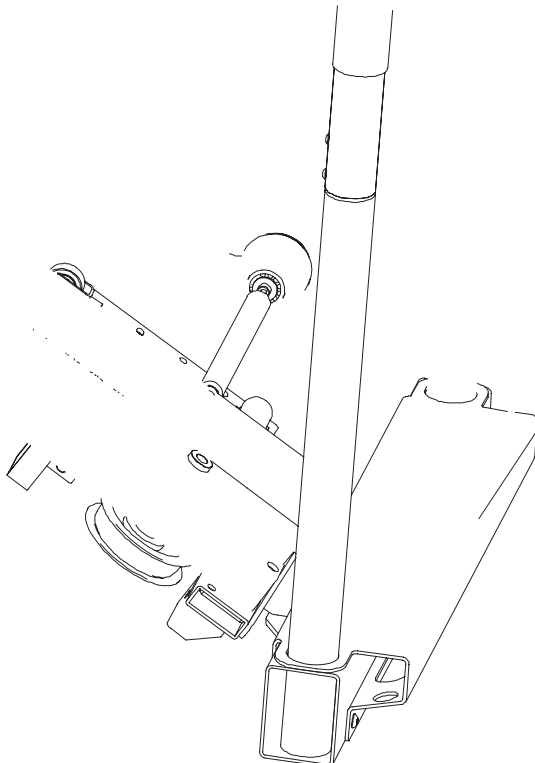
CONSOLE	OVERLAY/BEZEL/SWITCH	LANGUAGE
AK68-00183-0001	AK68-00184-0001	Eng/LED
AK68-00183-0002	AK68-00184-0001	Eng + Met
AK68-00183-0003	AK68-00184-0003	Ger/Met
AK68-00183-0004	AK68-00184-0004	Spn/Met
AK68-00183-0006	AK68-00184-0006	Jap/Met
AK68-00183-0007	AK68-00184-0007	Frn/Met
AK68-00183-0008	AK68-00184-0008	Ital/Met
AK68-00183-0009	AK68-00184-0009	Dut/Met
AK68-00183-0010	AK68-00184-0010	Port/Met
AK68-00183-0014	AK68-00184-0014	Eng/Tur

Monocolumn Boot
0K68-01061-0000

Right Shroud Assembly
AK68-00176-0000
Left Shroud Assembly
AK68-00176-0001
Shroud Mtg. Screws
(6 per shroud)
0017-00101-1796

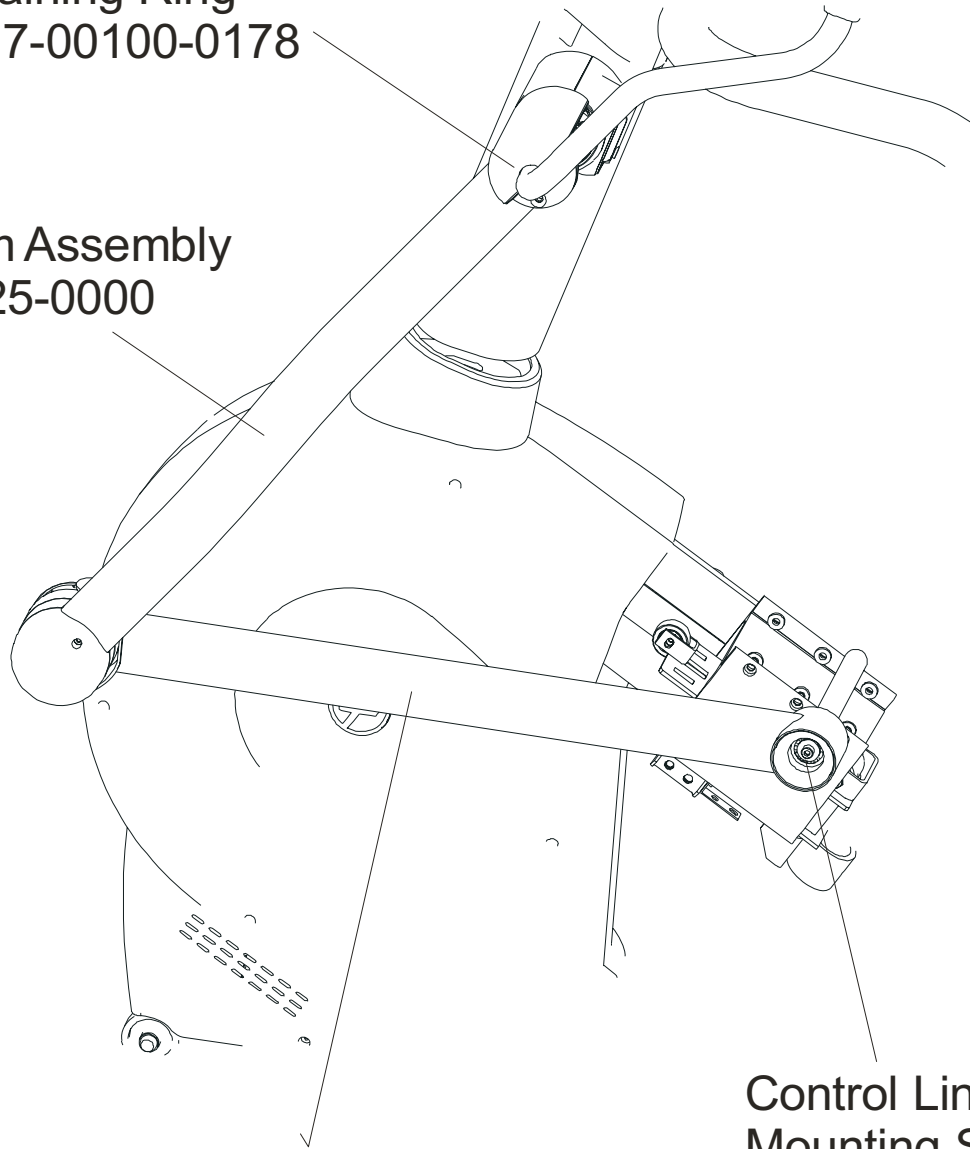


Rear Step (plastic only)
0K68-01020-0000
Rear Step Assembly
AK68-00136-0000
(3) Rear Step Mounting Screws
0017-00101-1903



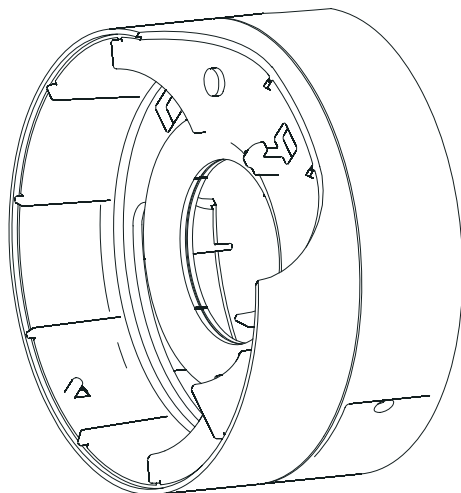
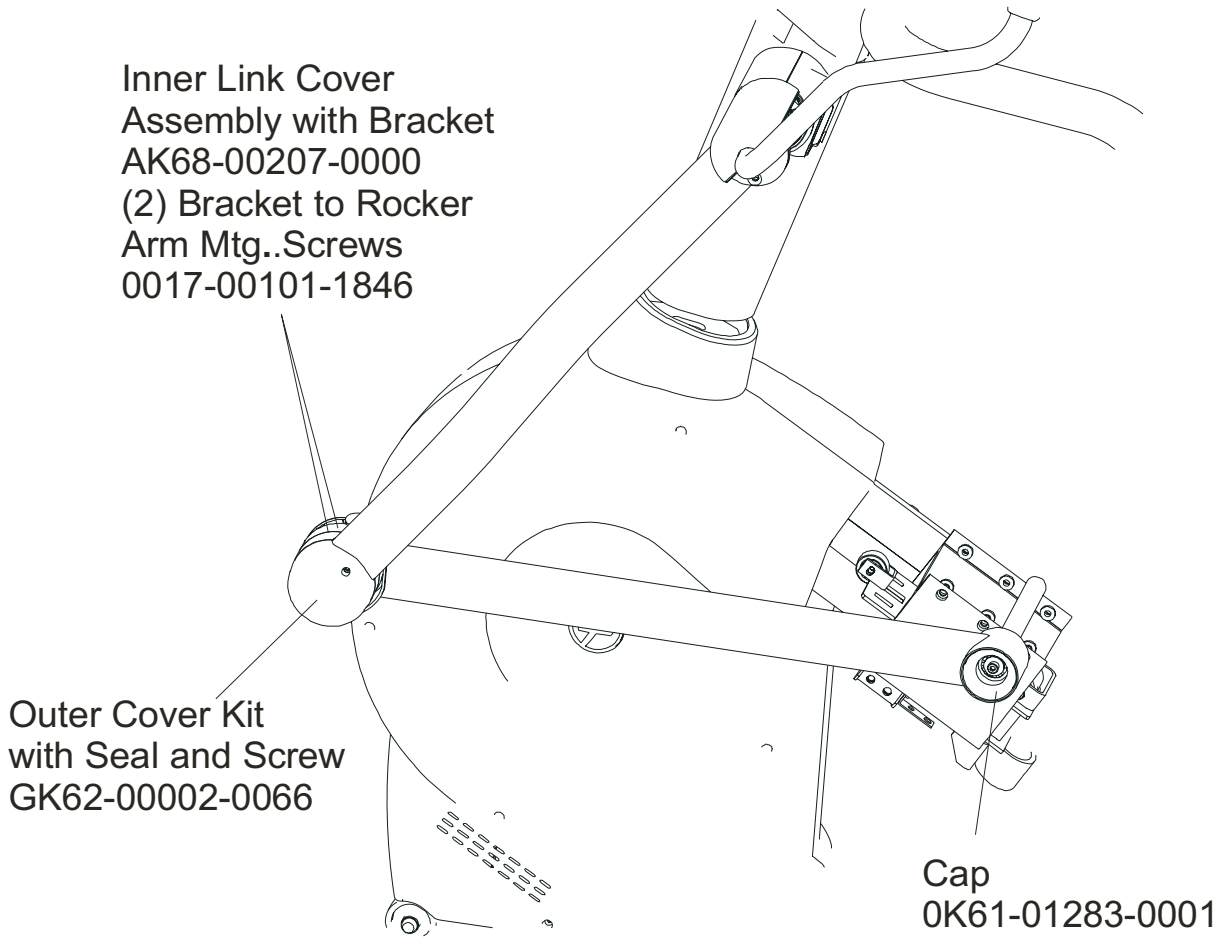
Rocker Arm Washer
0017-00104-0418
Retaining Ring
0017-00100-0178

Rocker Arm Assembly
AK68-00125-0000

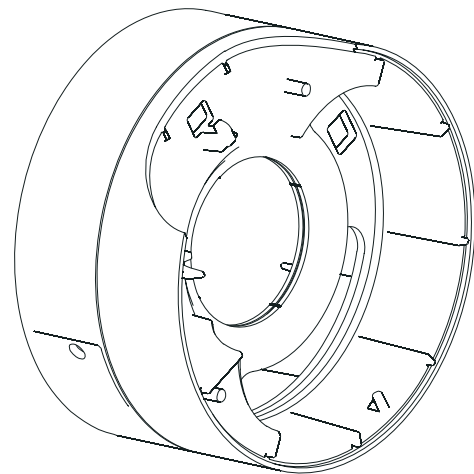


Control Link Assembly
AK68-00147-0000

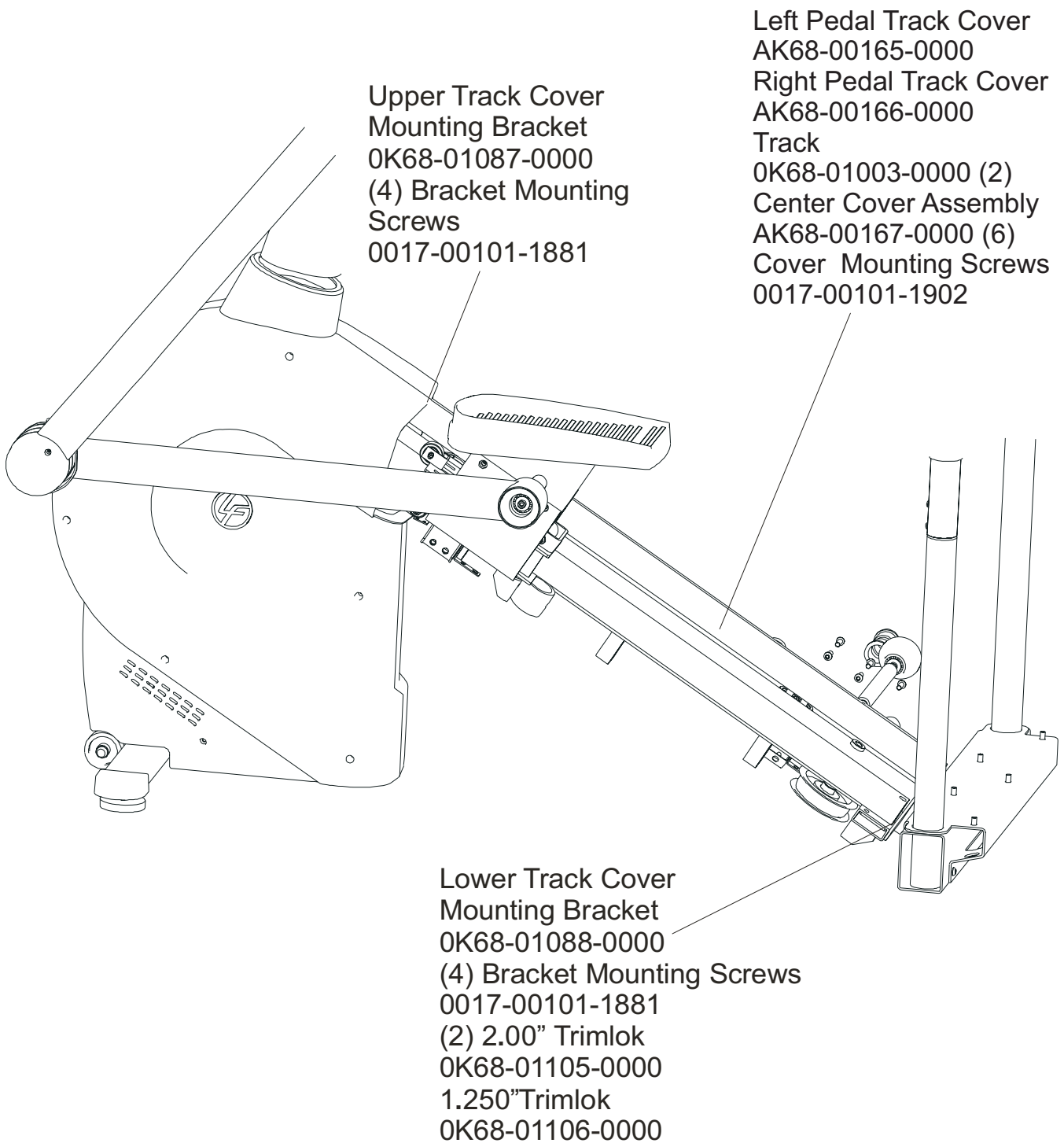
Control Link
Mounting Screw
0017-00101-1881
and Washer
0017-00104-0479

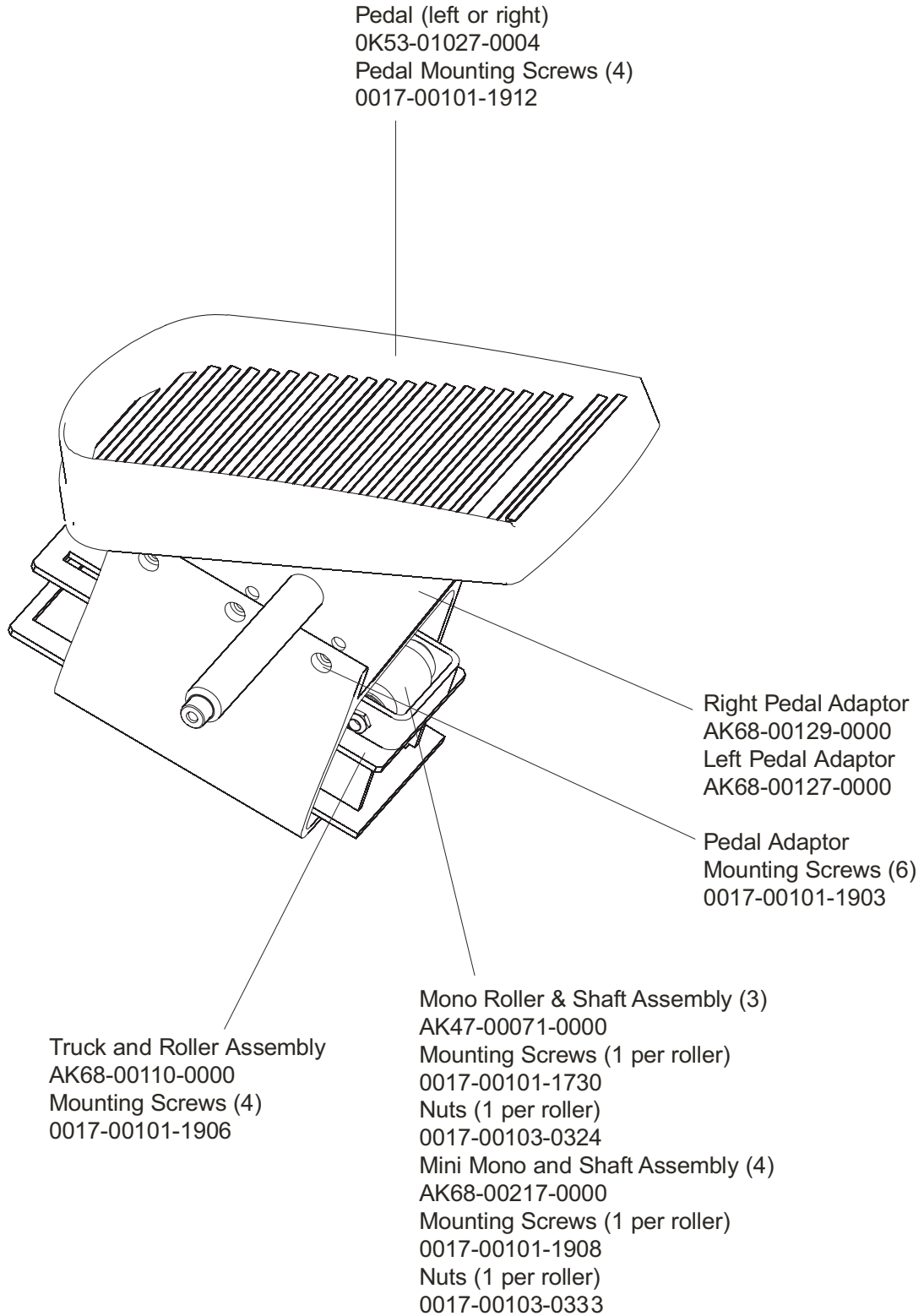


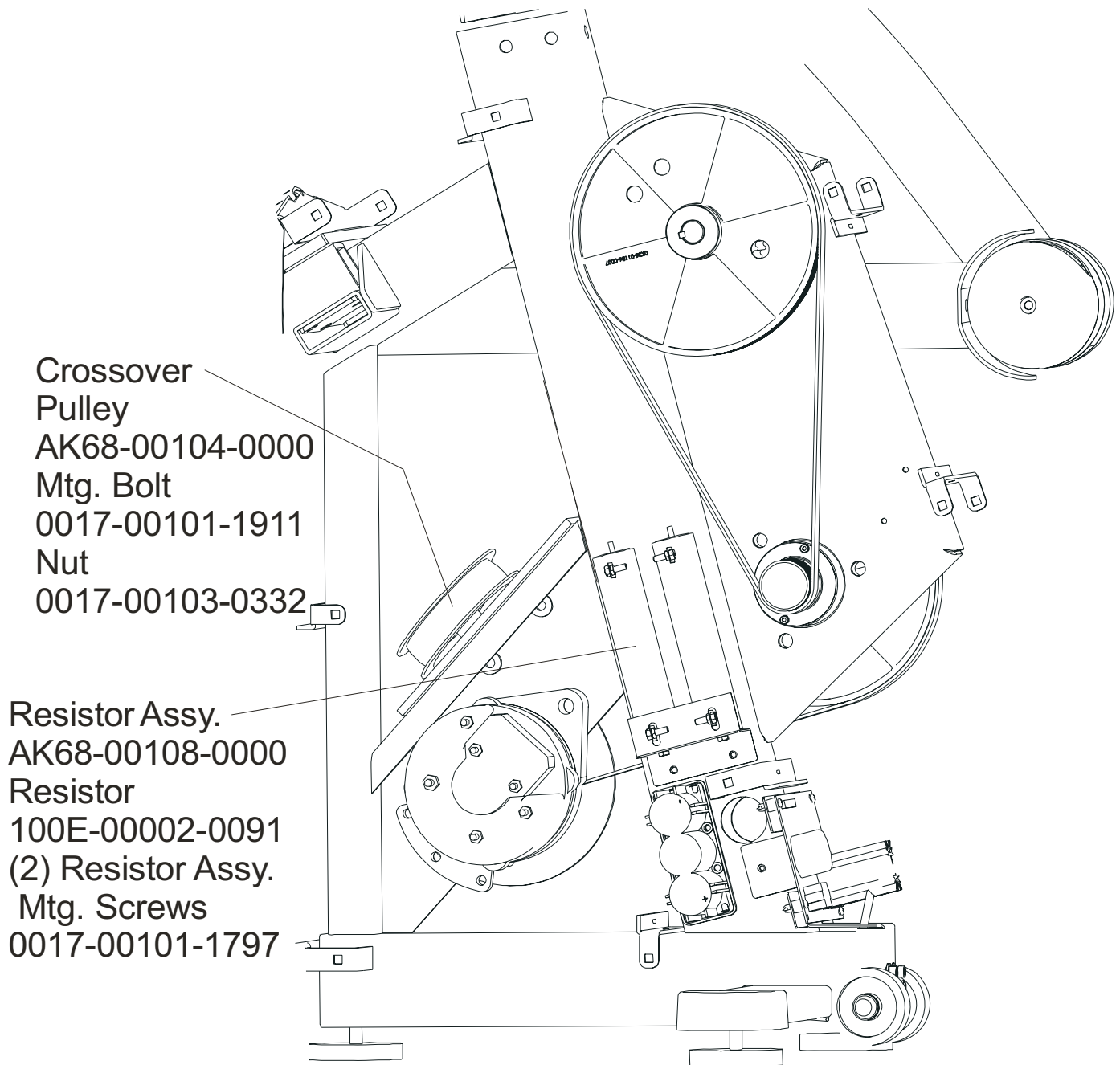
Right Clevis Cover Assy.
AK68-00154-0001

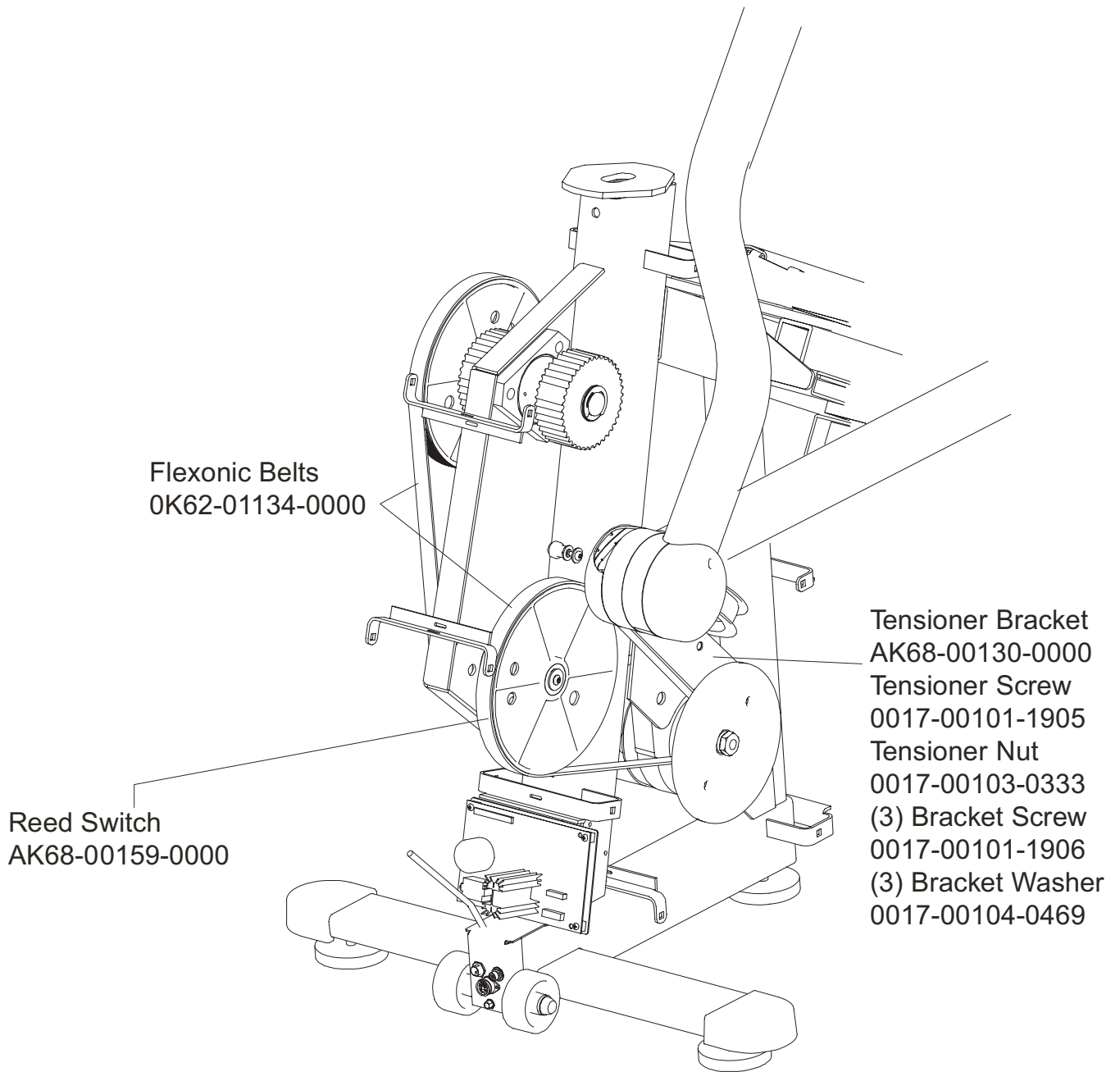


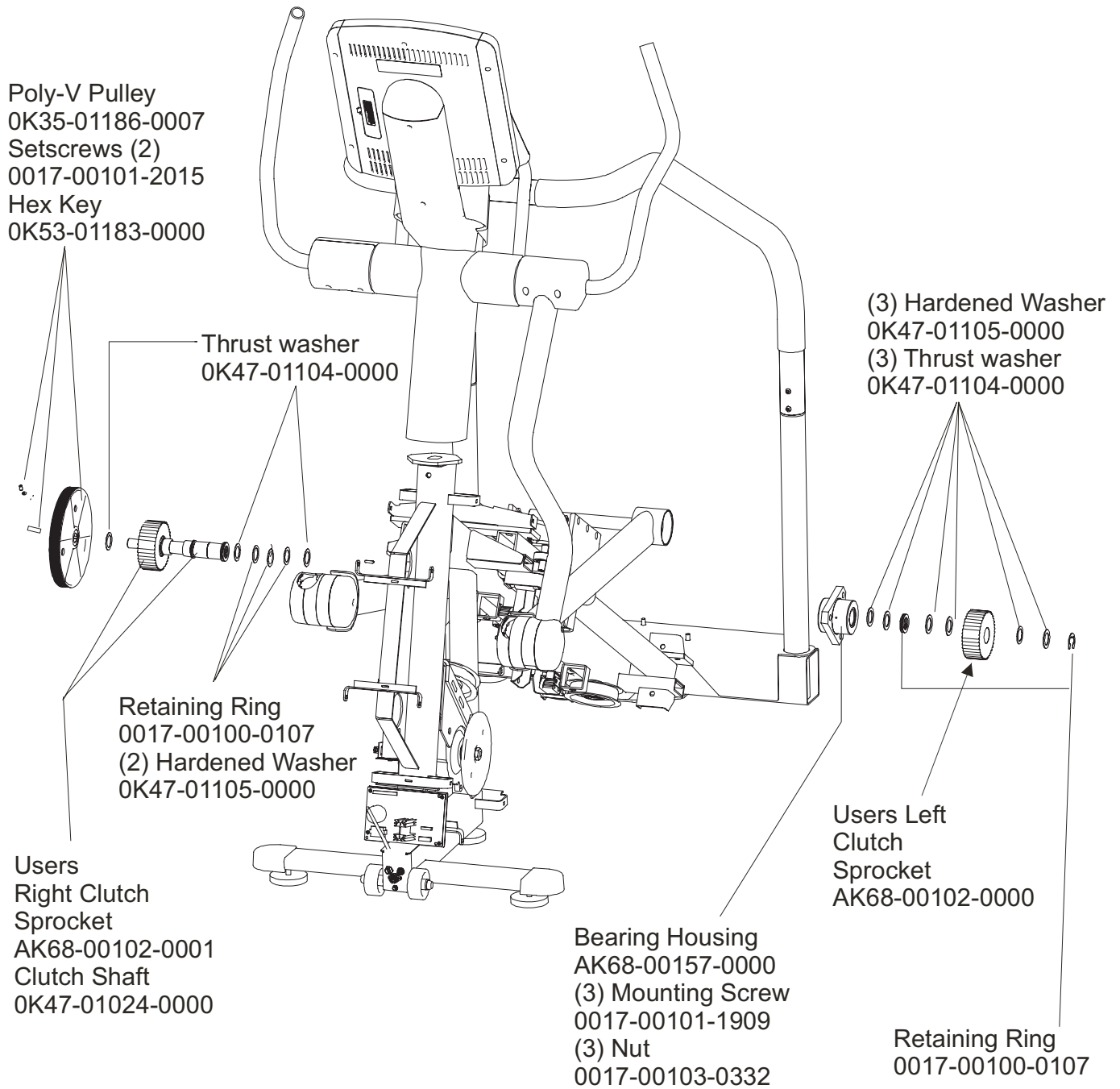
Left Clevis Cover Assy.
AK68-00154-0002

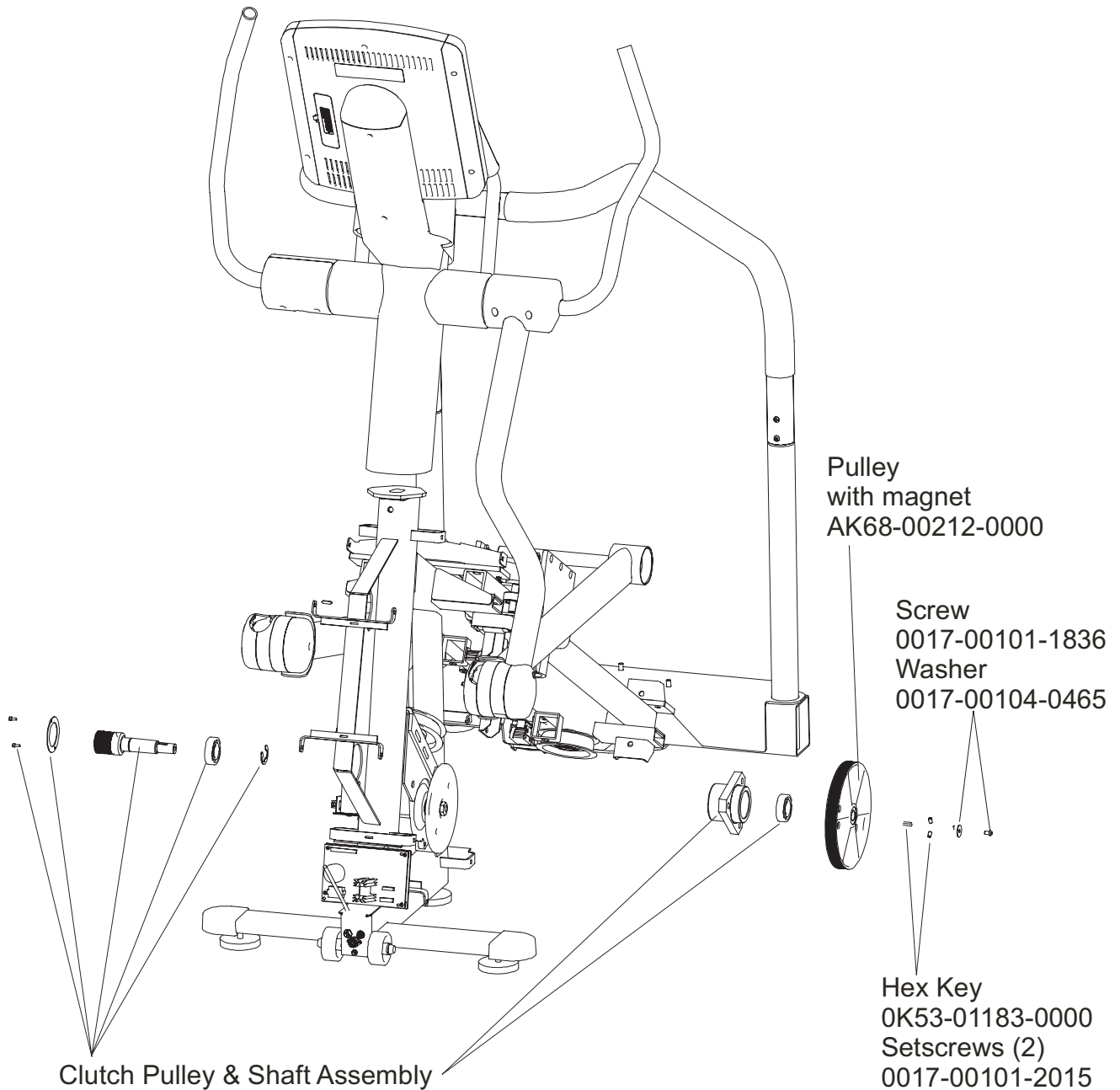






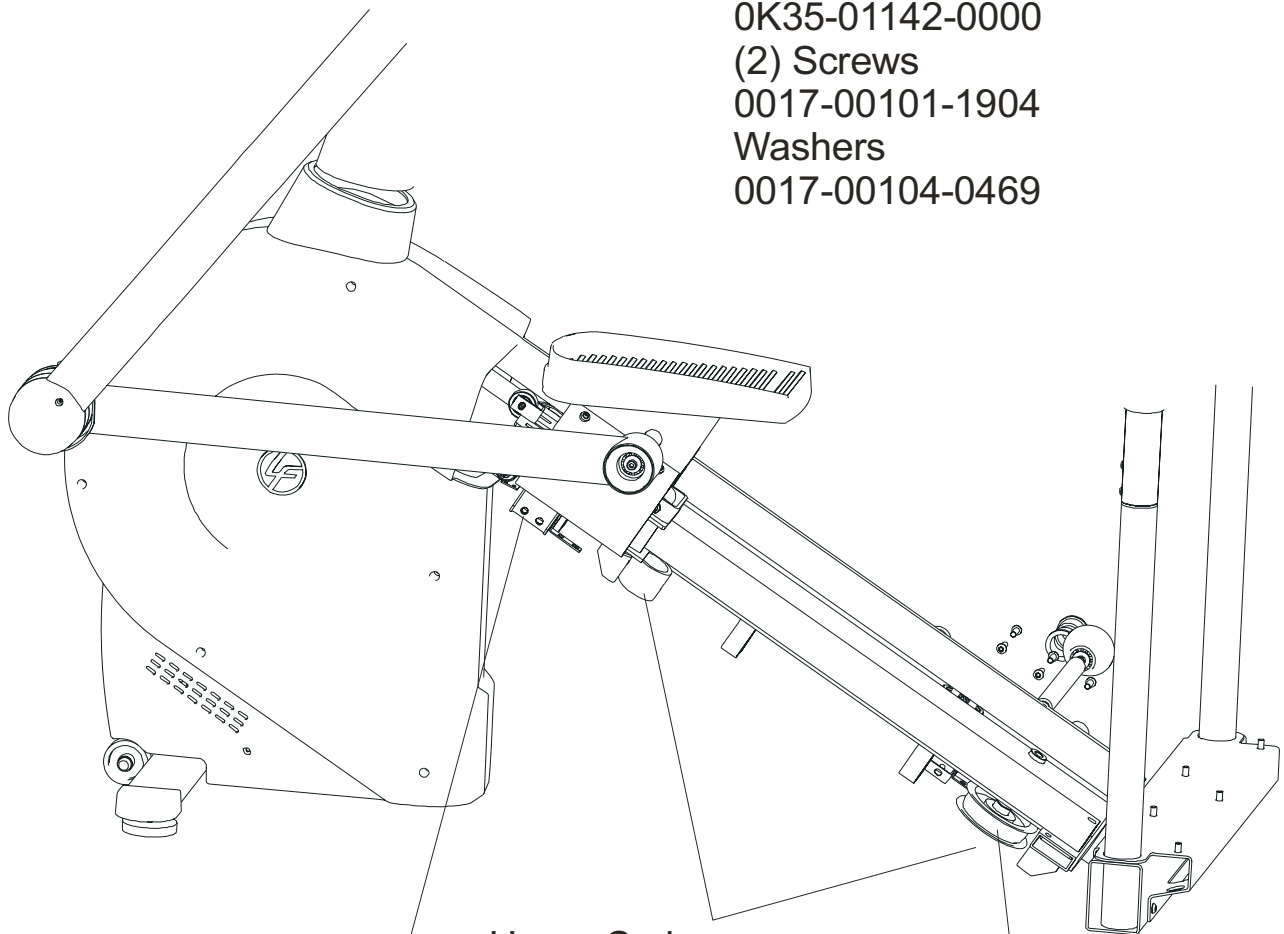






NOTE: The following parts are used on
each end of both Timing belts:

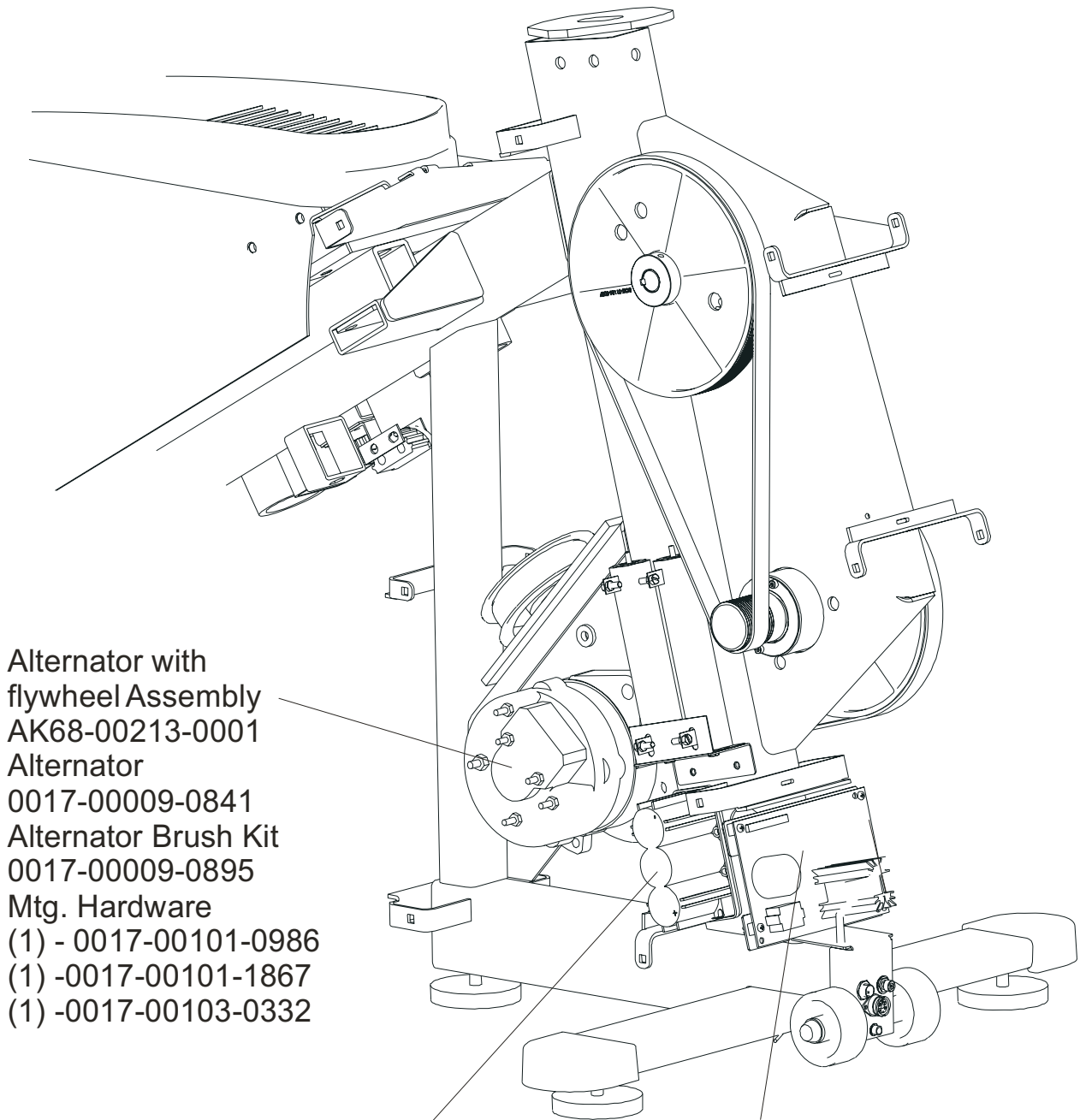
Belt Terminator
0K35-01105-0000
Bracket
0K35-01142-0000
(2) Screws
0017-00101-1904
Washers
0017-00104-0469



Upper Timing Belt
AK68-00210-0000

Upper Spring
0K68-01051-0000
Lower Spring
0K68-01081-0000
Mounting screw
(1 per Spring)
0017-00101-1902
Washer
(1 per Spring)
0017-00104-0465

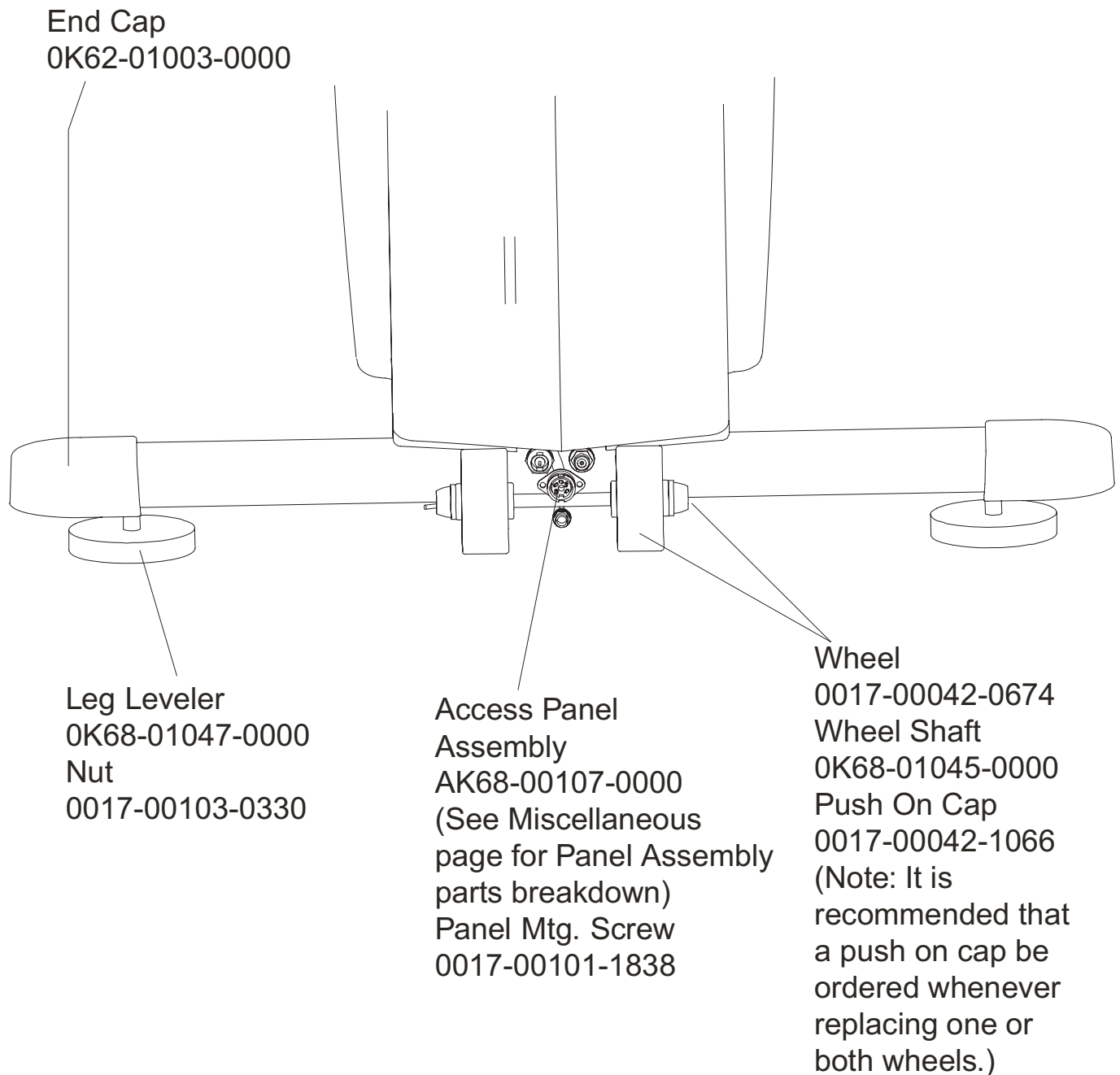
Crossover Pulley
AK68-00104-0000
Pulley Mtg. Screw
0017-00101-1911
Nut
0017-00103-0332
Lower Timing Belt
AK68-00211-0000

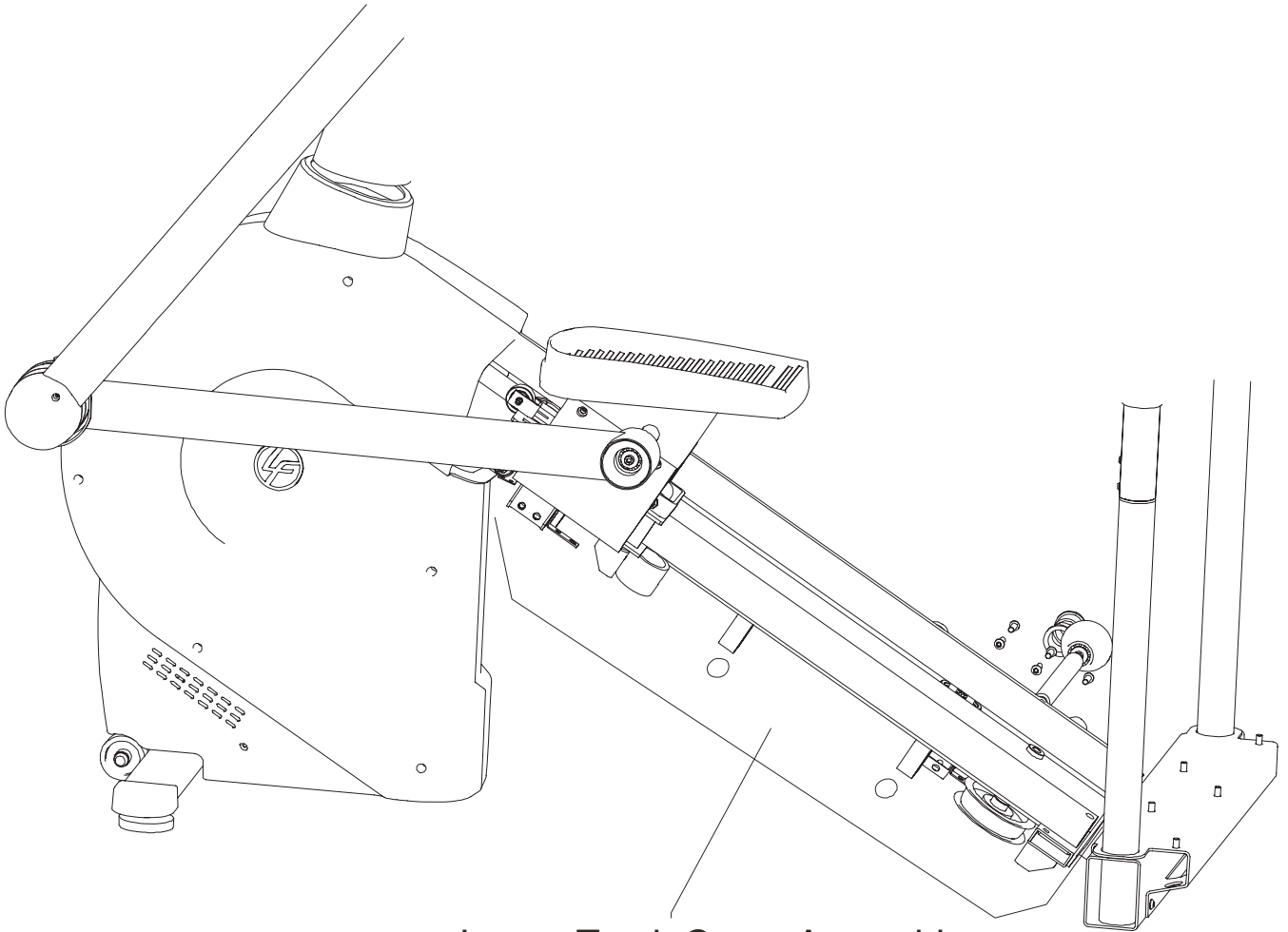


Alternator with
flywheel Assembly
AK68-00213-0001
Alternator
0017-00009-0841
Alternator Brush Kit
0017-00009-0895
Mtg. Hardware
(1) - 0017-00101-0986
(1) -0017-00101-1867
(1) -0017-00103-0332

6 Volt Battery
0017-00003-0685
(2) Battery Mtg. Screws
0017-00101-1797

Power Control Board
B084-92218-D002
(4) PCB Mtg. Screws
0017-00101-1838





- Lower Track Cover Assembly
- AK68-00220-0000
- Mounting Screw (3)
- 0017-00101-1906
- Washer, Nylon (3)
- 0017-00104-0485
- Flat Washer (3)
- 0017-00104-0479

