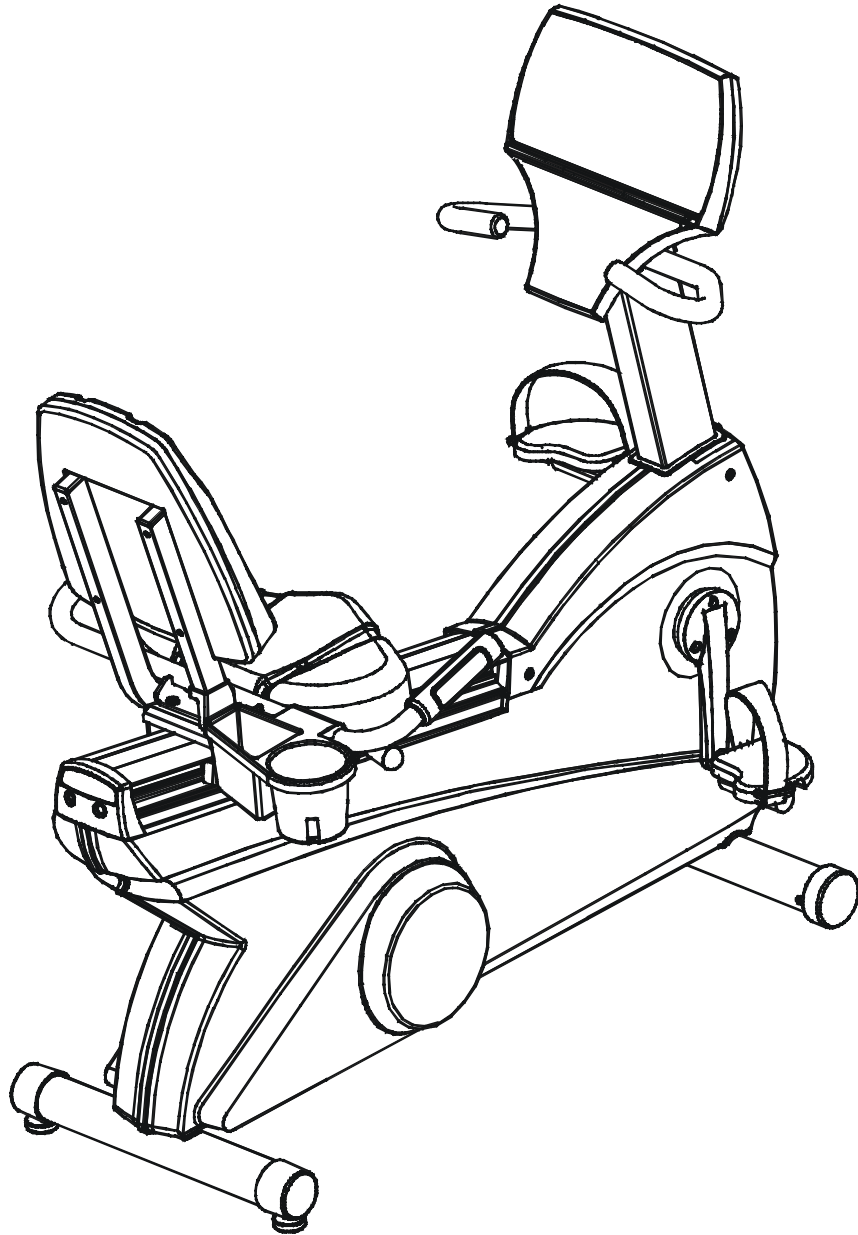


LifeFitness

Arctic Silver 95Ri Recumbent Bike



Customer Support Services
PARTS MANUAL rev 01 Aug 2008

ARCTIC SILVER 95Ri
REFERENCES

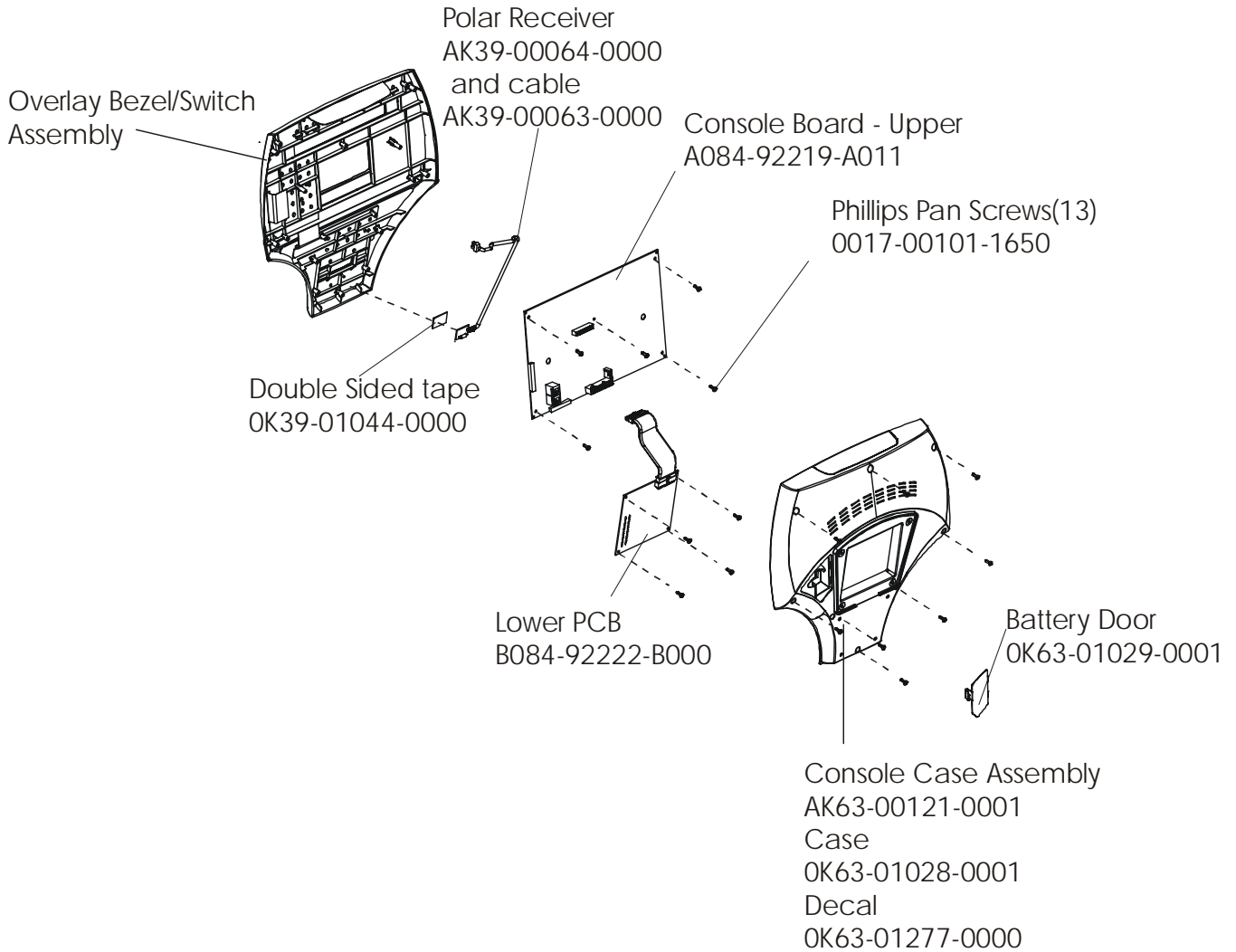
95R-0XXX-02
S/N CCS100000 and UP

OPERATION MANUAL	M051-00K39-A016
POWER OPTION KIT 120V	GK39-00002-0002
POWER OPTION KIT 240/50V UK	GK39-00002-0004
POWER OPTION KIT 240V+AUS	GK39-00002-0005
POWER OPTION KIT 230/50V CON	GK39-00002-0006
HARDWARE BAG	GK39-00002-0008
TOUCH UP PAINT: SPRAY CAN .5 OZ BOTTLE W/APPLICATOR .33 OZ PEN	0017-00008-0204 0017-00008-0205 0017-00008-0206
SERVICE MANUAL	M051-00K39-A012

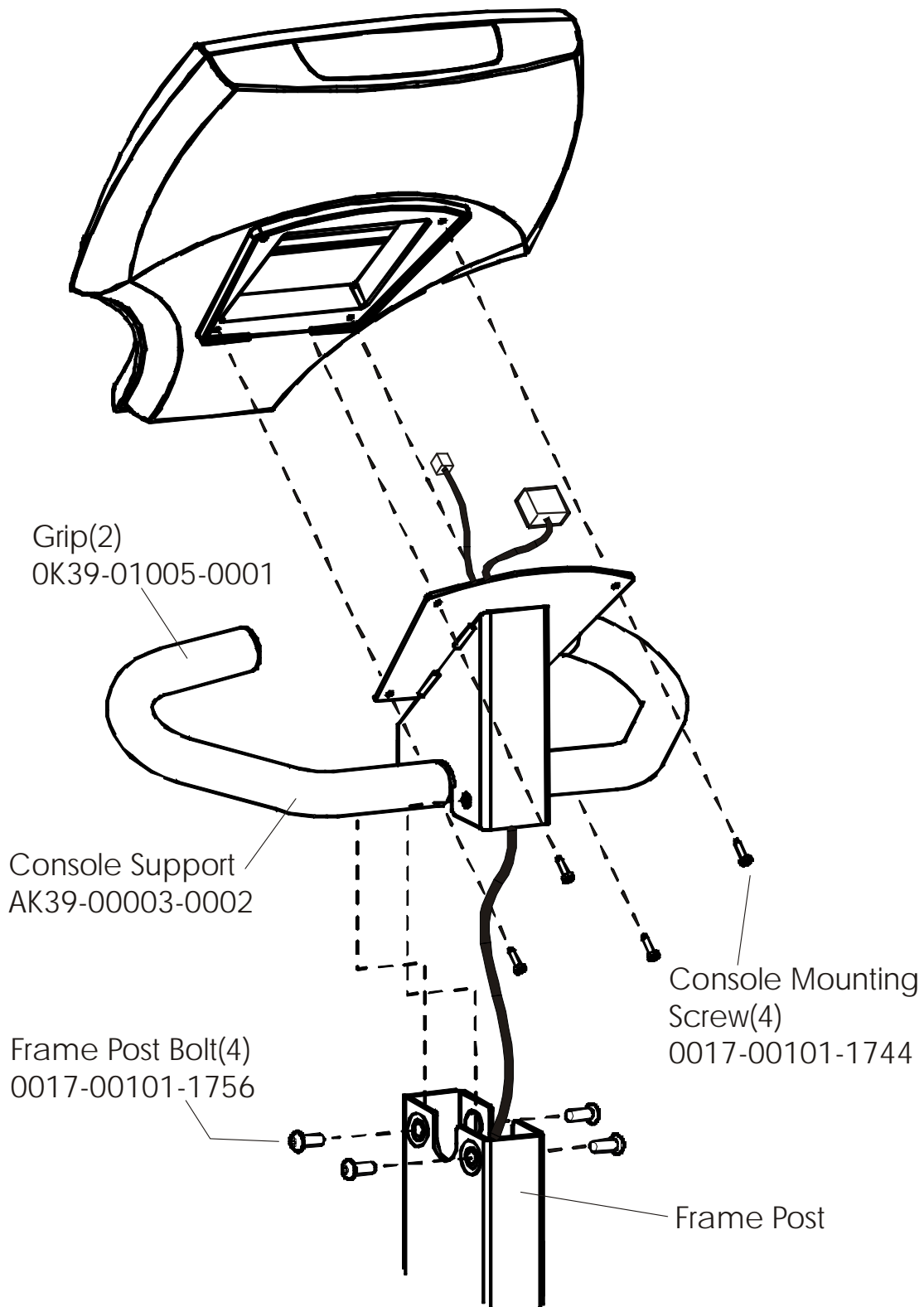
	Page
CONSOLE COMPONENTS	4
CONSOLE SUPPORT ASSEMBLY	6
SHROUDS, END CAP, CRANKARMS AND PEDALS	7
BELTS AND 6V BATTERY	8
RESISTOR ASSEMBLY	9
POWER CONTROL BOARD	10
ALTERNATOR W/PULLEY	11
CRANKSHAFT AND BEARING ASSEMBLY	12
INTERMEDIATE SHAFT AND BEARING ASSEMBLY	13
IDLER BRACKET ASSEMBLY.....	14
SEAT ASSEMBLY.....	15
SEAT BOTTOM ASSEMBLY.....	16
SEAT FRAME ASSEMBLY.....	17
SEAT PADS AND ACCESSORY TRAY.....	18
EXTRUSION ASSEMBLY.....	19
SEAT LOCKING ASSEMBLY.....	20
WHEEL AND LEVELER.....	21
CABLES.....	22

ARCTIC SILVER 95Ri
Console Components

95R-0XXX-02
S/N CCS100000 and UP

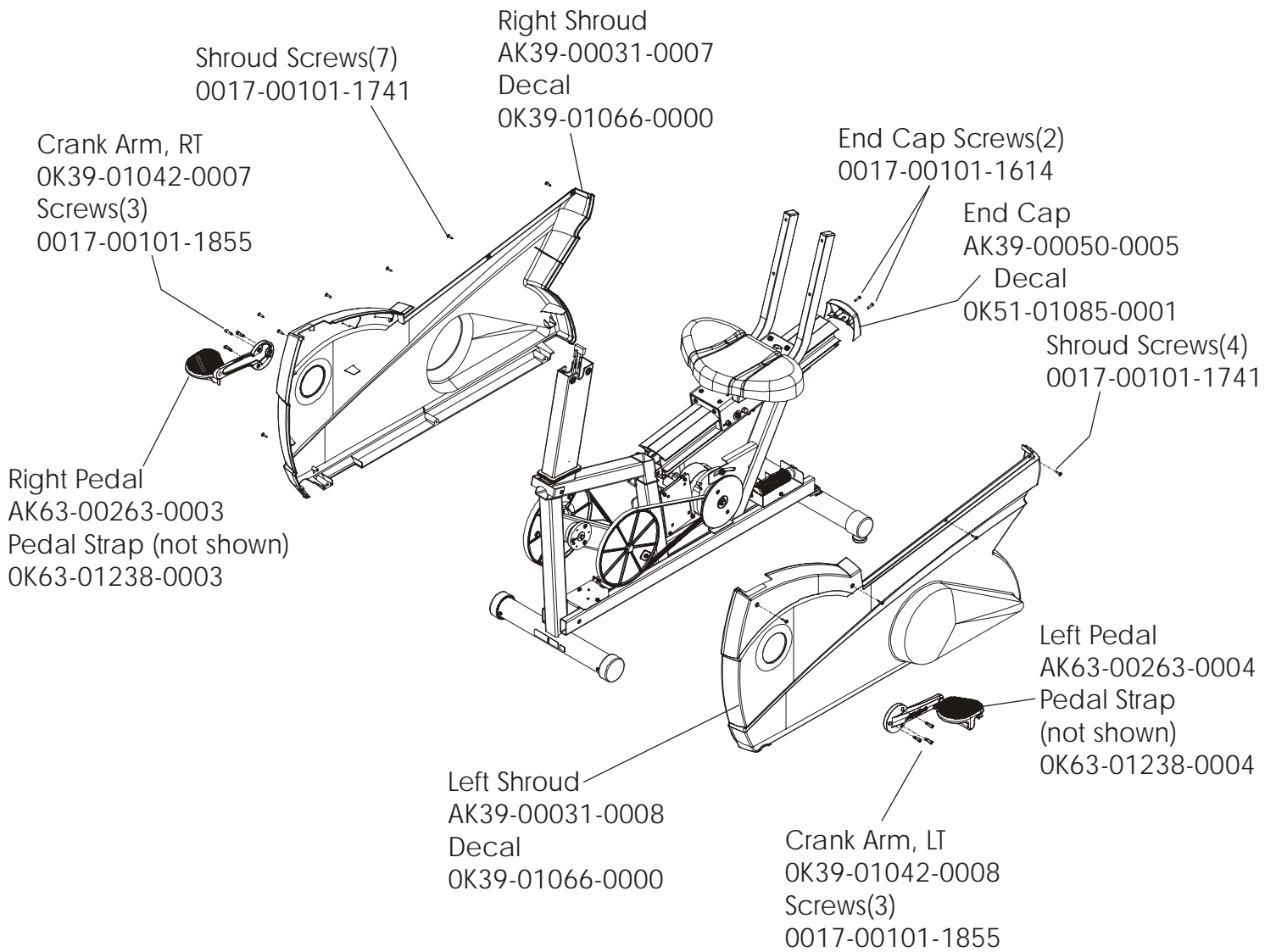


Console Assembly	Overlay/Bezel/Switch Assy.
AK39-00070-0001 Eng Met	AK63-00165-0001 Eng Met
AK39-00070-0003 Ger Met	AK63-00165-0003 Ger Met
AK39-00070-0004 Spn Met	AK63-00165-0004 Spn Met
AK39-00070-0006 Jap Met	AK63-00165-0006 Jap Met
AK39-00070-0007 Frn Met	AK63-00165-0007 Frn Met
AK39-00070-0008 Itl Met	AK63-00165-0008 Itl Met
AK39-00070-0009 Dut Met	AK63-00165-0009 Dut Met
AK39-00070-0010 Por Met	AK63-00165-0010 Por Met



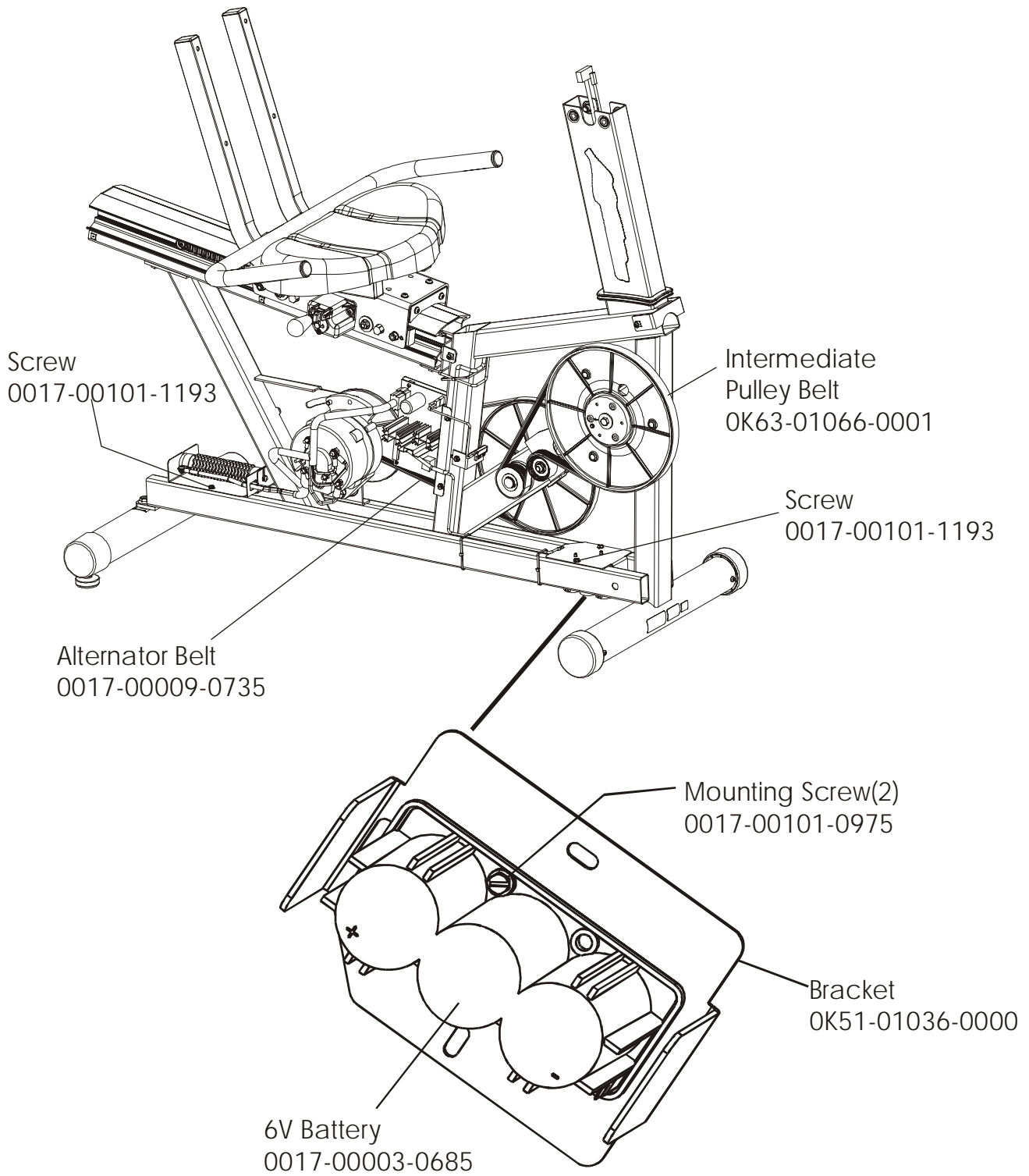
ARCTIC SILVER 95Ri
Shrouds, End cap and Pedals

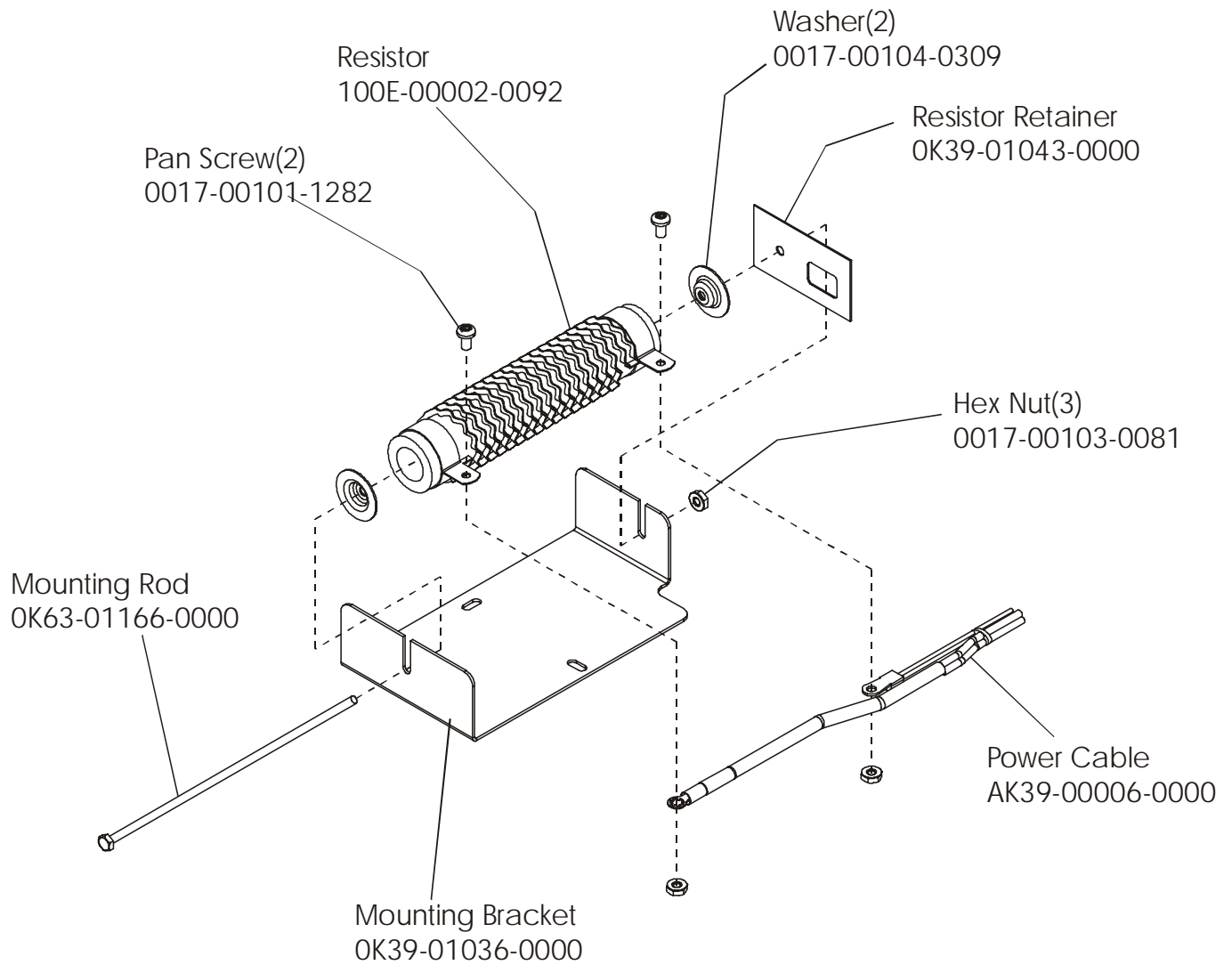
95R-0XXX-02
S/N CCS100000 and UP



ARCTIC SILVER 95Ri
Belts and 6V Battery

95R-0XXX-02
S/N CCS100000 and UP

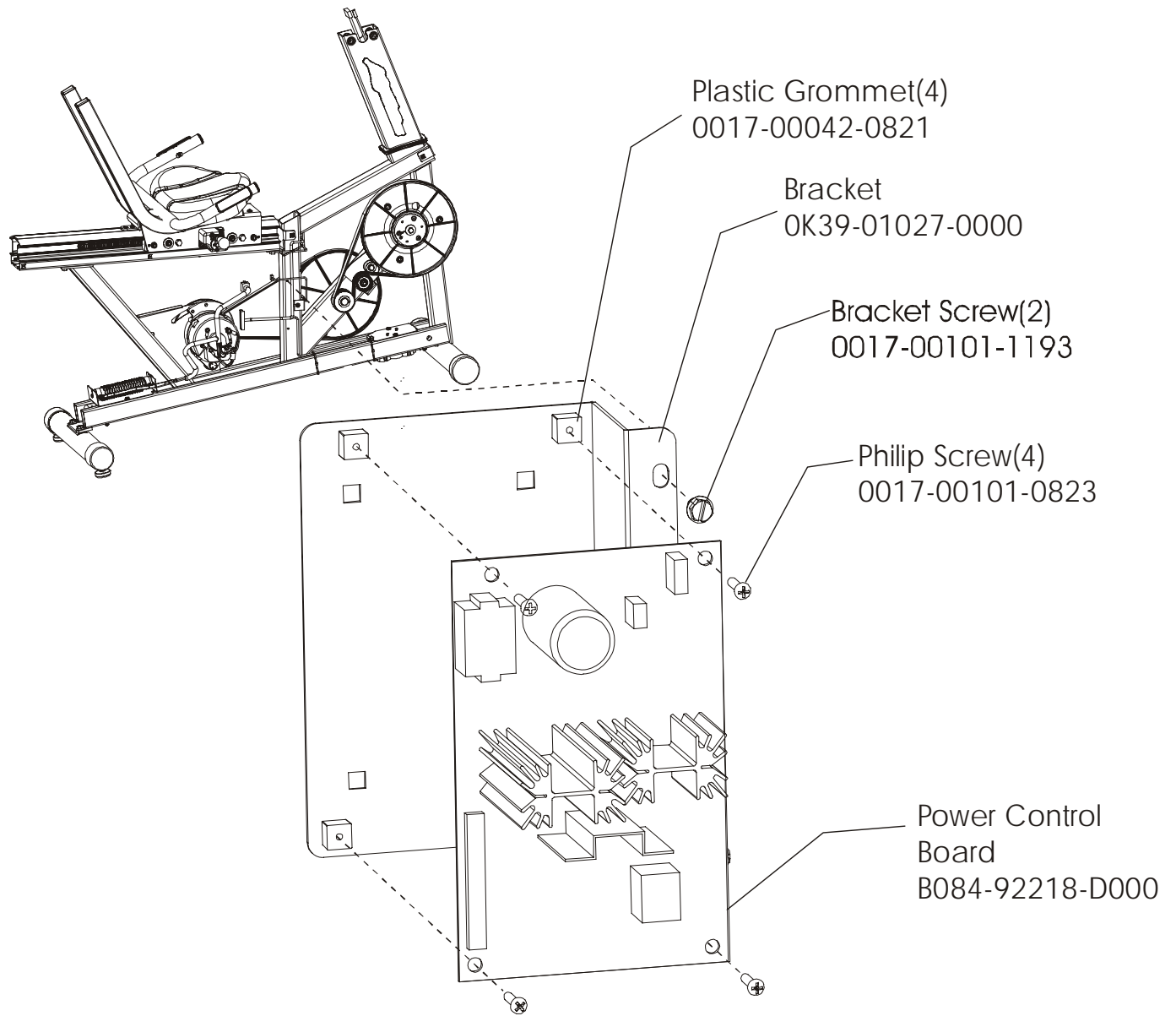




ARCTIC SILVER 95Ri
Power Control Board

95R-0XXX-02
S/N CCS100000 and UP

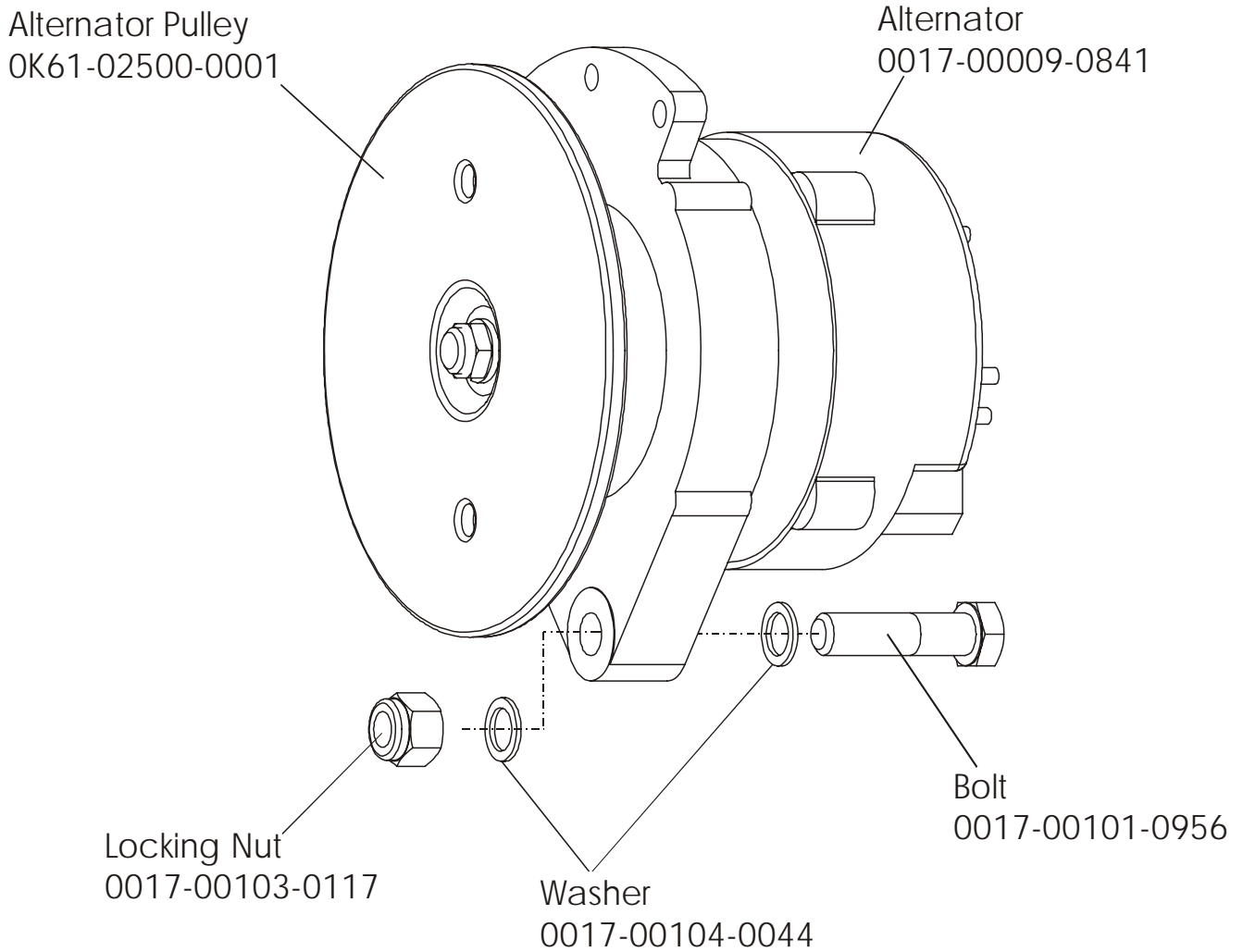
Assembly Number - AK39-00022-0001



ARCTIC SILVER 95Ri
Alternator w/Pulley Assembly

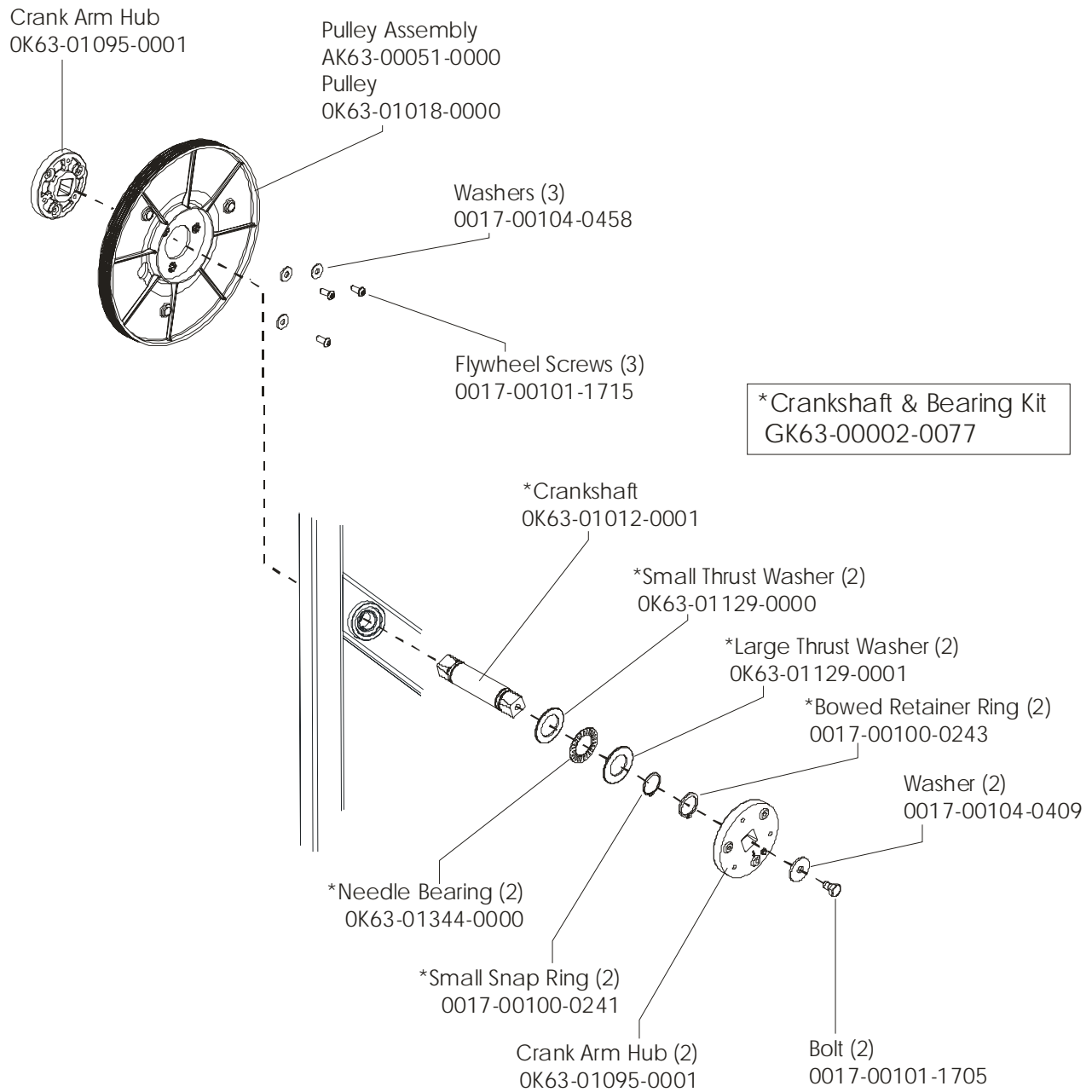
95R-0XXX-02
S/N CCS100000 and UP

Assembly Number – AK63-00093-0000



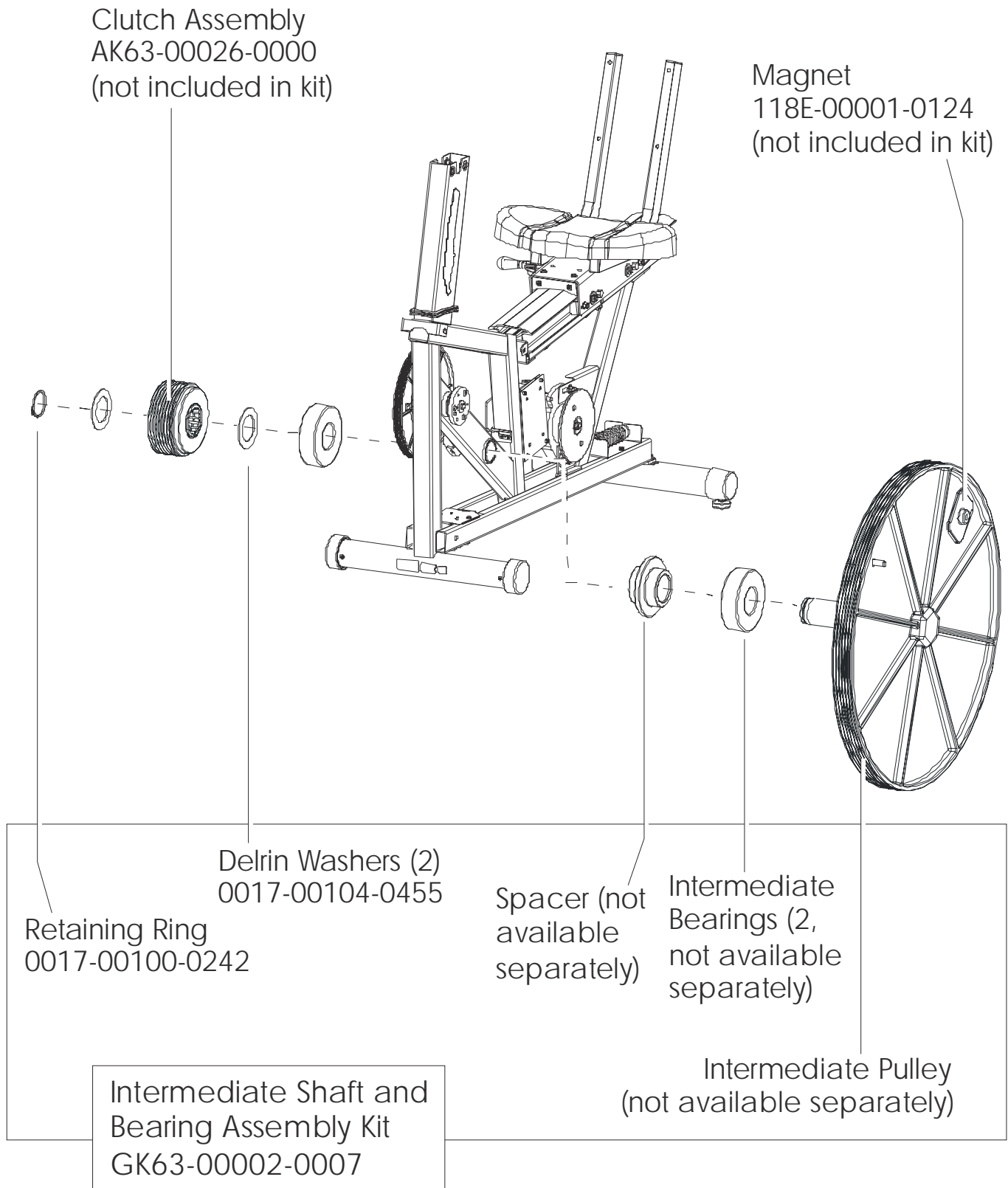
ARCTIC SILVER 95Ri
Crank Shaft and Bearing Assembly

95R-0XXX-02
S/N CCS100000 and UP

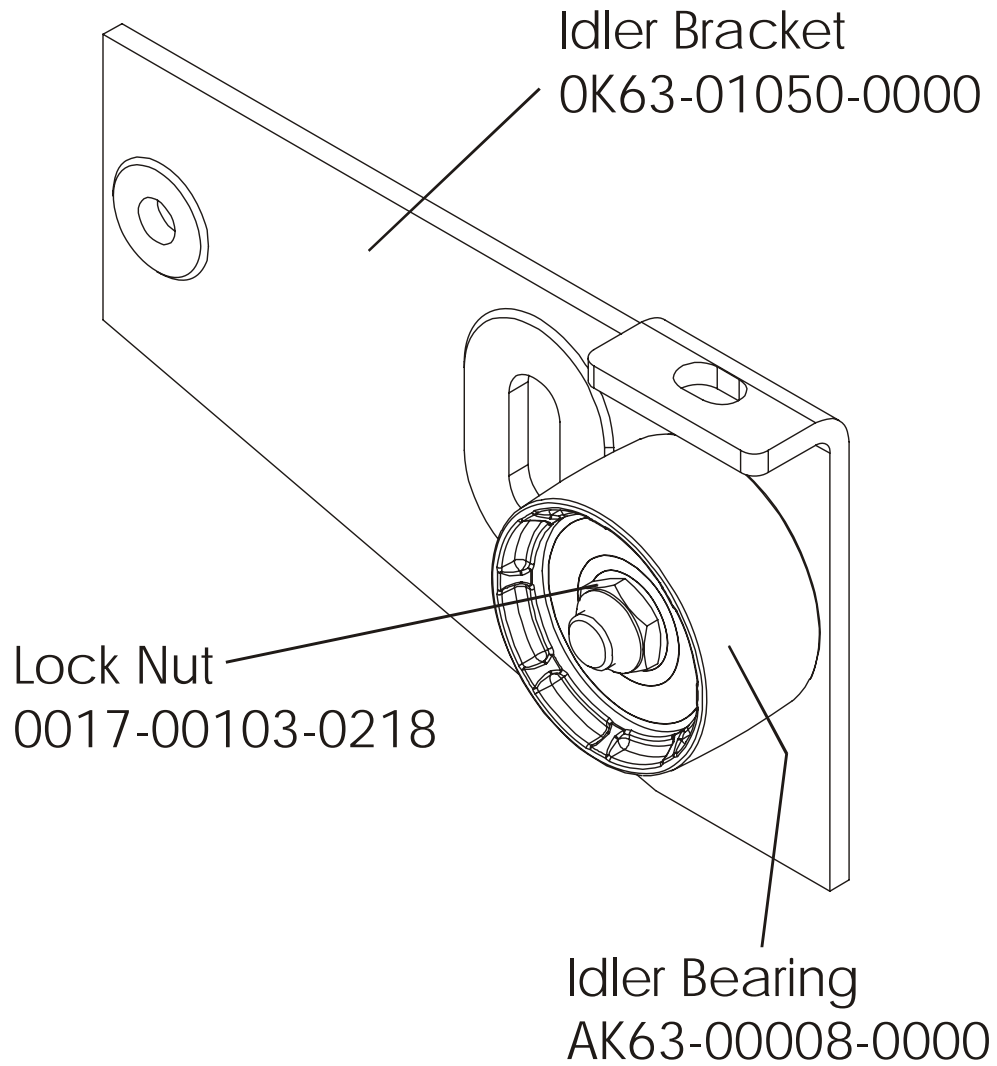


ARCTIC SILVER 95Ri
Intermediate Shaft and Bearing Assembly

95R-0XXX-02
S/N CCS10000 and UP

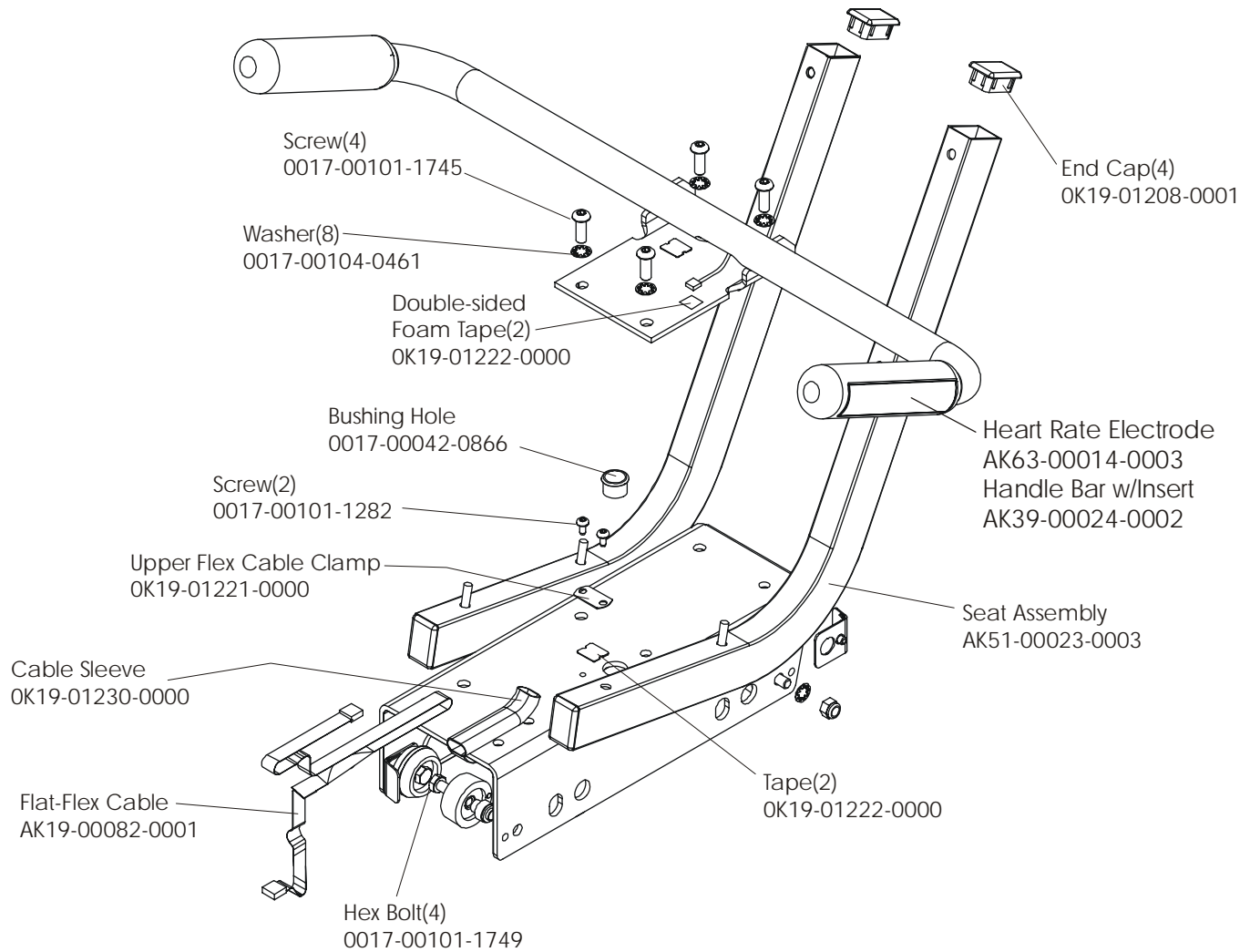


Idler Bracket Assembly – AK63-00021-0000



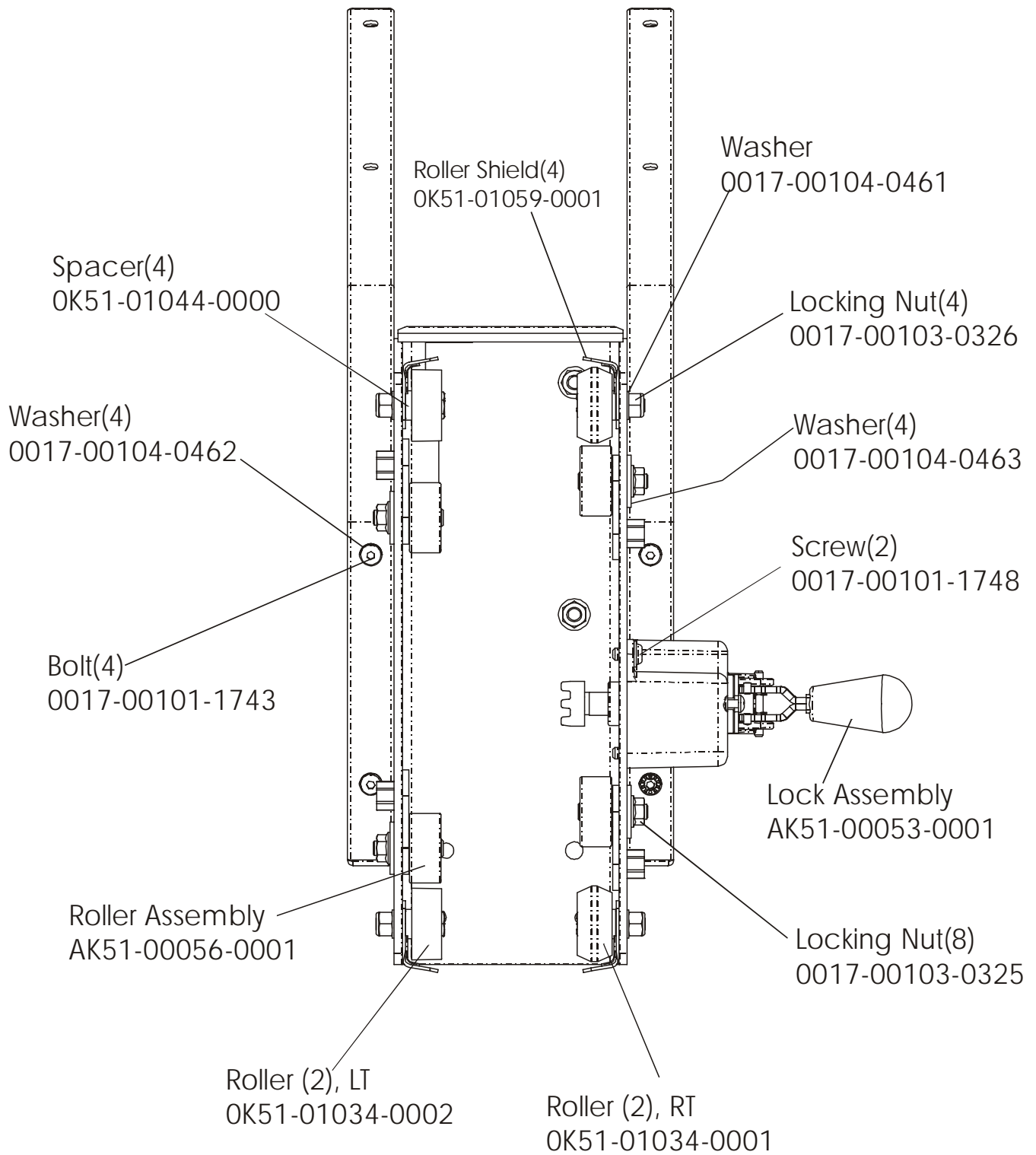
ARCTIC SILVER 95Ri
Seat Assembly

95R-0XXX-02
S/N CCS10000 and UP



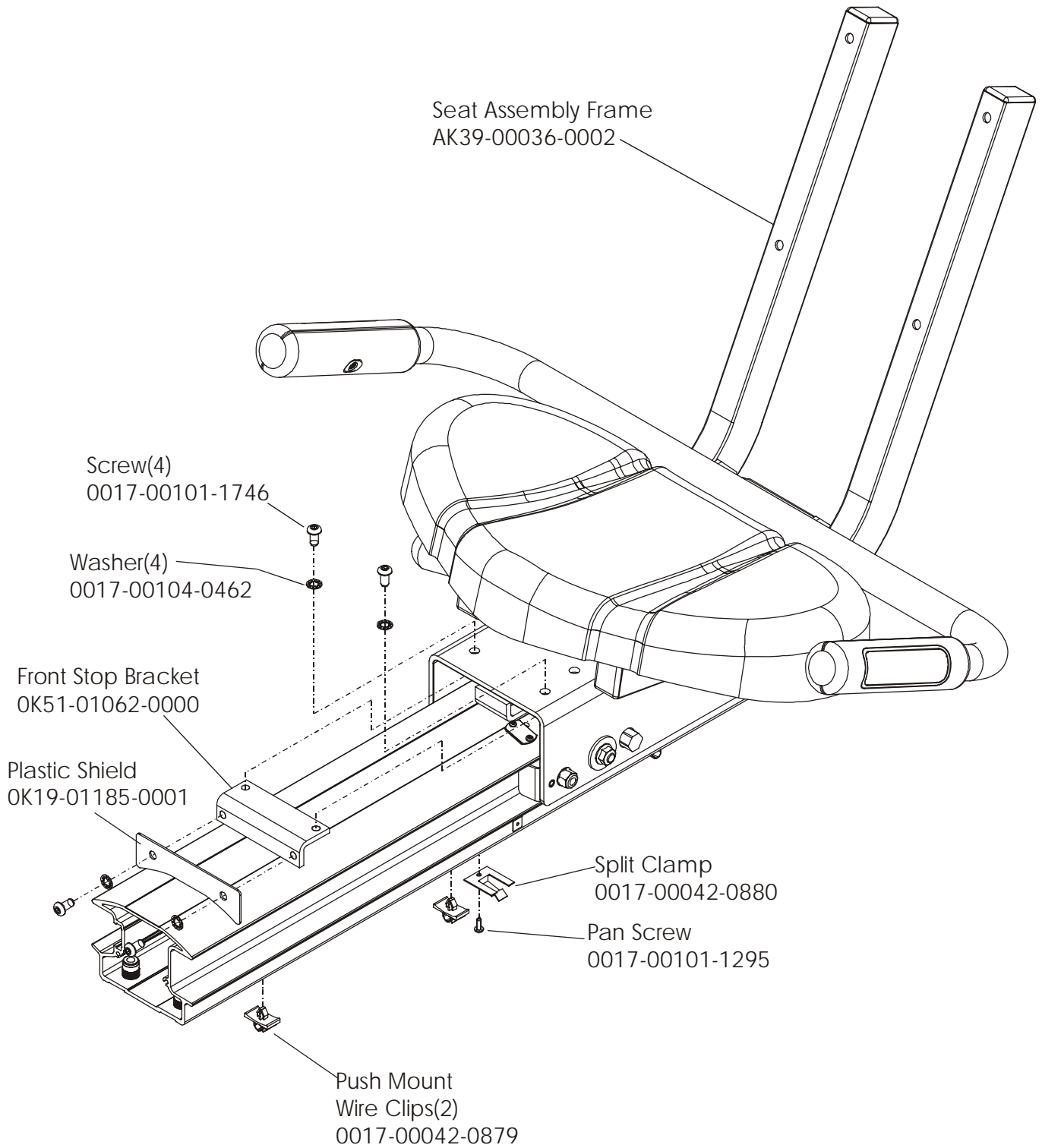
ARCTIC SILVER 95Ri
Seat Assembly - Bottom

95R-0XXX-02
S/N CCS10000 and UP



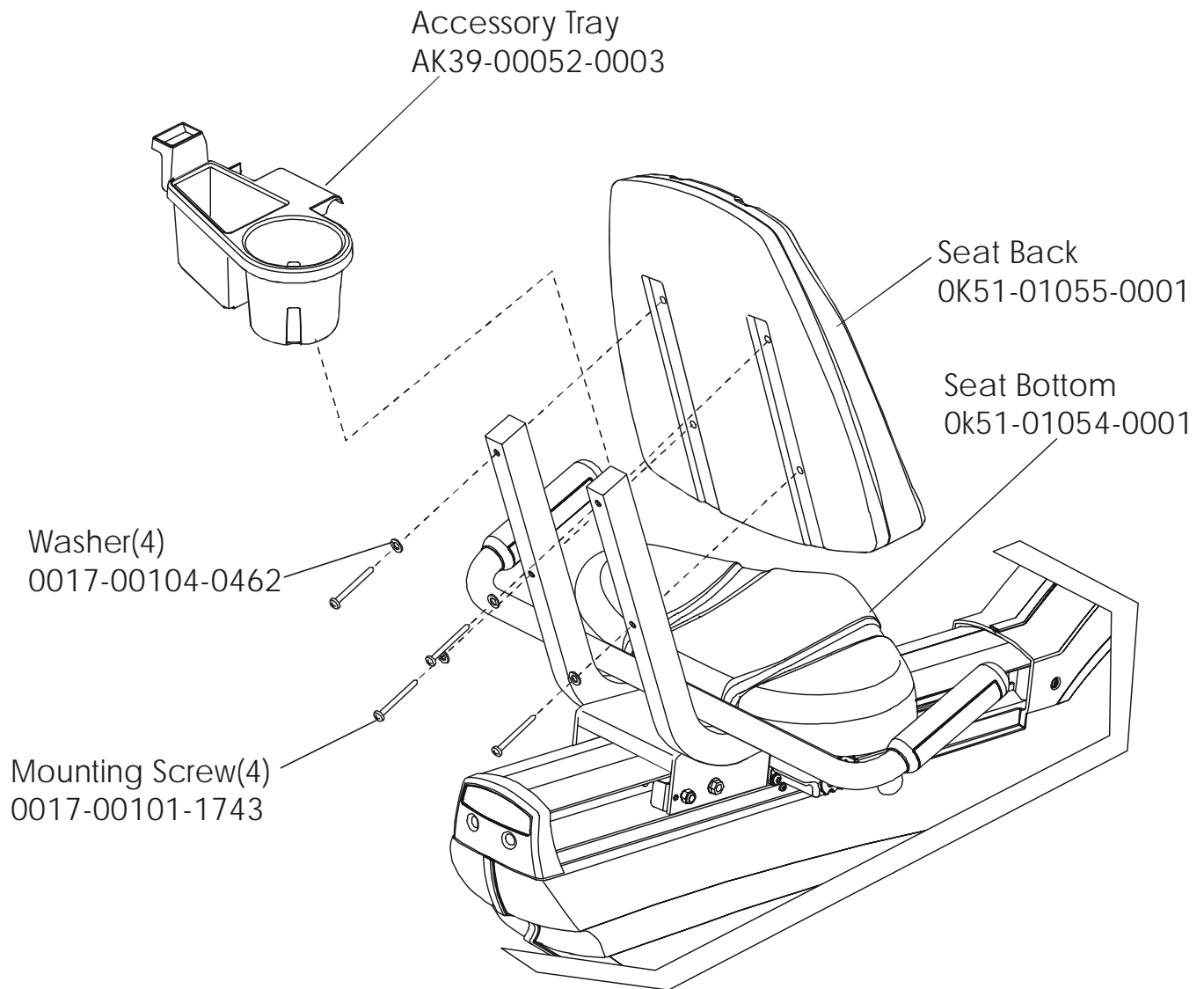
ARCTIC SILVER 95Ri
Seat Frame Assembly

95R-0XXX-02
S/N CCS100000 and UP



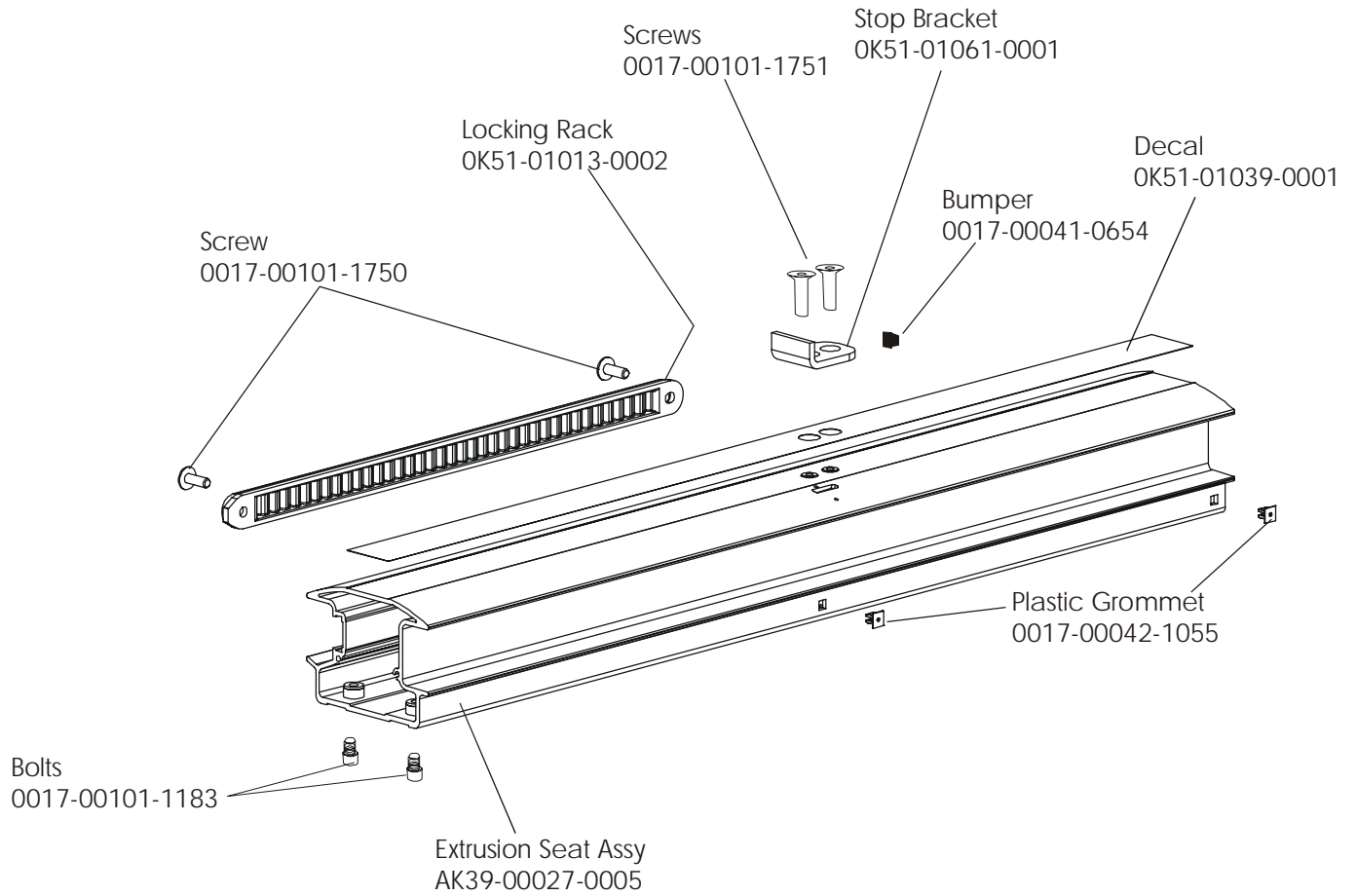
ARCTIC SILVER 95Ri
Seat Pads and Accessory Tray

95R-0XXX-02
S/N CCS100000 and UP



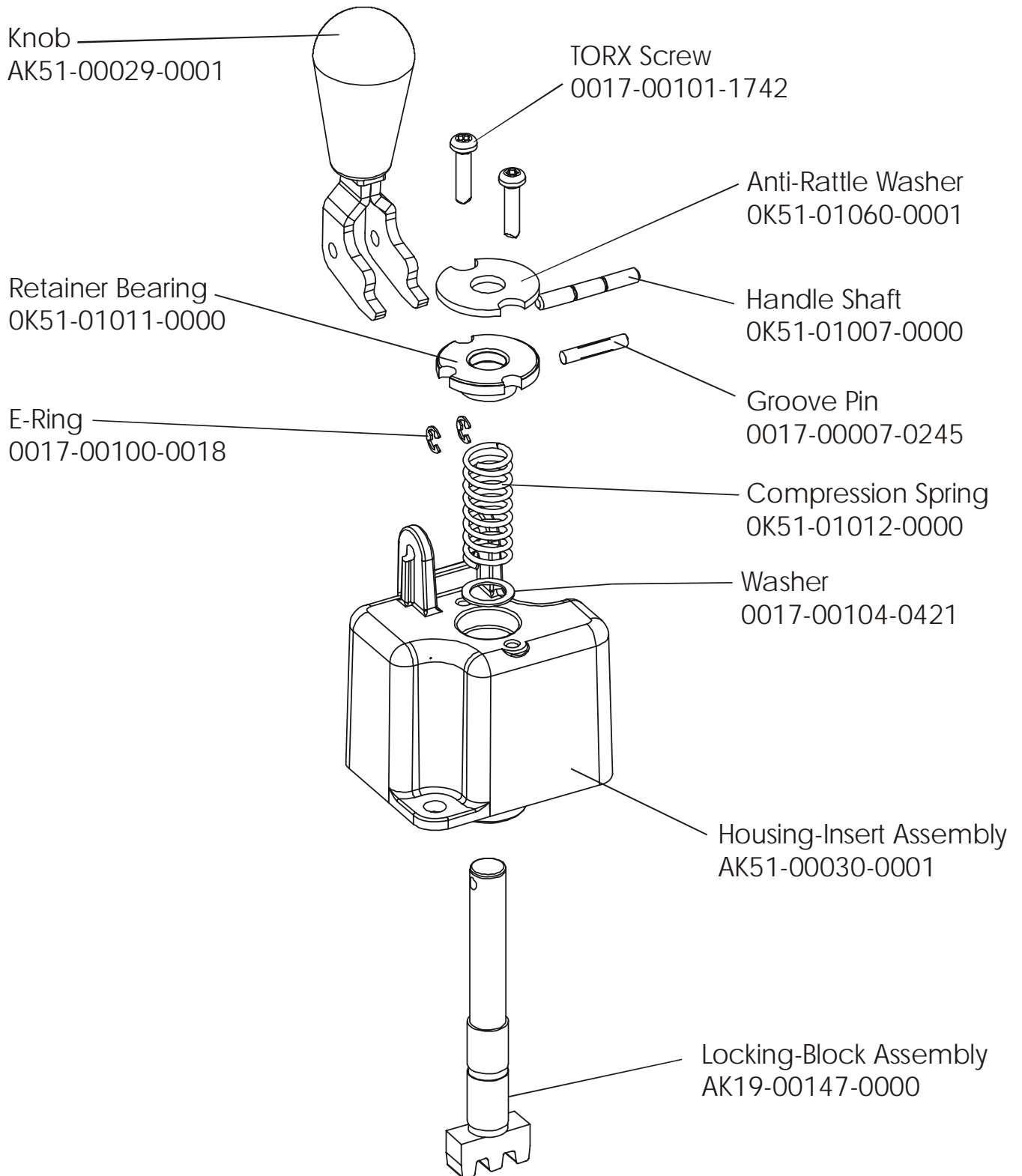
ARCTIC SILVER 95Ri
Extrusion Assy. – AK39-00027-0005

95R-0XXX-02
S/N CCS100000 and UP



ARCTIC SILVER 95Ri
Locking Assy. – AK51-00053-0001

95R-0XXX-02
S/N CCS100000 and UP



ARCTIC SILVER 95Ri
Wheel and Leveler

95R-0XXX-02
S/N CCS100000 and UP

