

# Elevation Series Treadmills

Item Numbers: 95T-DOMHX-xx, 95T-DOMLX-xx, 95T-INTHX-xx, PCST-DOMXX-xx  
Alpha Codes: TWT, TET, PCT, PST, PET

## Parts Manual

PUXA014



# Table of Contents

---

<b>Miscellaneous</b>	<b>3</b>
Miscellaneous Part Numbers	3
<b>Drive Motor</b>	<b>4</b>
Drive Motor Assembly	4
Idler Assembly and Drive Belt	6
Motor Pan Brackets	8
<b>Base Frame Electronics</b>	<b>10</b>
DSP Motor Controller	10
On-off Switch, Home Switch, and Line Filter	11
<b>Lift System</b>	<b>12</b>
Lift Frame and Wheels	12
Lift Motor and Hardware	13
<b>Console Assembly</b>	<b>14</b>
Console Bracket and Covers	14
Consoles	15
<b>Heart Rate System</b>	<b>16</b>
Ergo Bar Components	16
<b>Stride (Walking) System</b>	<b>17</b>
Leg Leveler Assembly	17
Deck Springs, Stride Sensor and Roller Guards	18
Belt, Deck and Rollers	19
<b>Lower Frame</b>	<b>21</b>
Uprights and Covers	21
Anti-slip Pad and Extrusions	22
Rear End Caps	23
Motor Pan Covers	24

Upper Frame	25
Handrail and Covers	25
Bridge Cover and Activity Zone	27

Electric Wiring Diagrams	28
--------------------------	----

Alpha Code	SKU	Description
TWT	95T-DOMHX-01	95T TREADMILL BASE DOM - 4HP AC - HR
	95T-DOMLX-01	95T TREADMILL BASE DOM - 4HP AC - HR
	95T-INTHX-01	95T TREADMILL BASE INT - 4HP AC - HR
	95T-DOMHX-02	95T TREADMILL BASE DOM - 4HP AC - HR
	95T-DOMLX-02	95T TREADMILL BASE DOM - 4HP AC - HR
	95T-INTHX-02	95T TREADMILL BASE INT - 4HP AC - HR
TET	95T-DOMHX-03	95T TREADMILL BASE DOM - 4HP AC - HR
	95T-DOMLX-03	95T TREADMILL BASE DOM - 4HP AC - HR
	95T-INTHX-03	95T TREADMILL BASE INT - 4HP AC - HR
	95T-IFIHX-03	95T IFI TREADMILL BASE - HR
PCT	PCST-DOMHX-01	PLATINUM CLUB SERIES TREAD (Base Only)
	PCST-DOMLX-01	PLATINUM CLUB SERIES TREAD (Base Only)
	PCST-INTHX-02	PLATINUM CLUB SERIES TREAD (Base only)
PST	PCST-DOMHX-02	PLATINUM CLUB SERIES TREAD (Base Only)
	PCST-DOMLX-02	PLATINUM CLUB SERIES TREAD (Base Only)
	PCST-INTHX-02	PLATINUM CLUB SERIES TREAD (Base Only)
PET	PCST-DOMHX-03	PLATINUM CLUB SERIES TREAD (Base Only)
	PCST-DOMLX-03	PLATINUM CLUB SERIES TREAD (Base Only)
	PCST-INTHX-03	PLATINUM CLUB SERIES TREAD (Base Only)

# Miscellaneous

## Miscellaneous Part Numbers

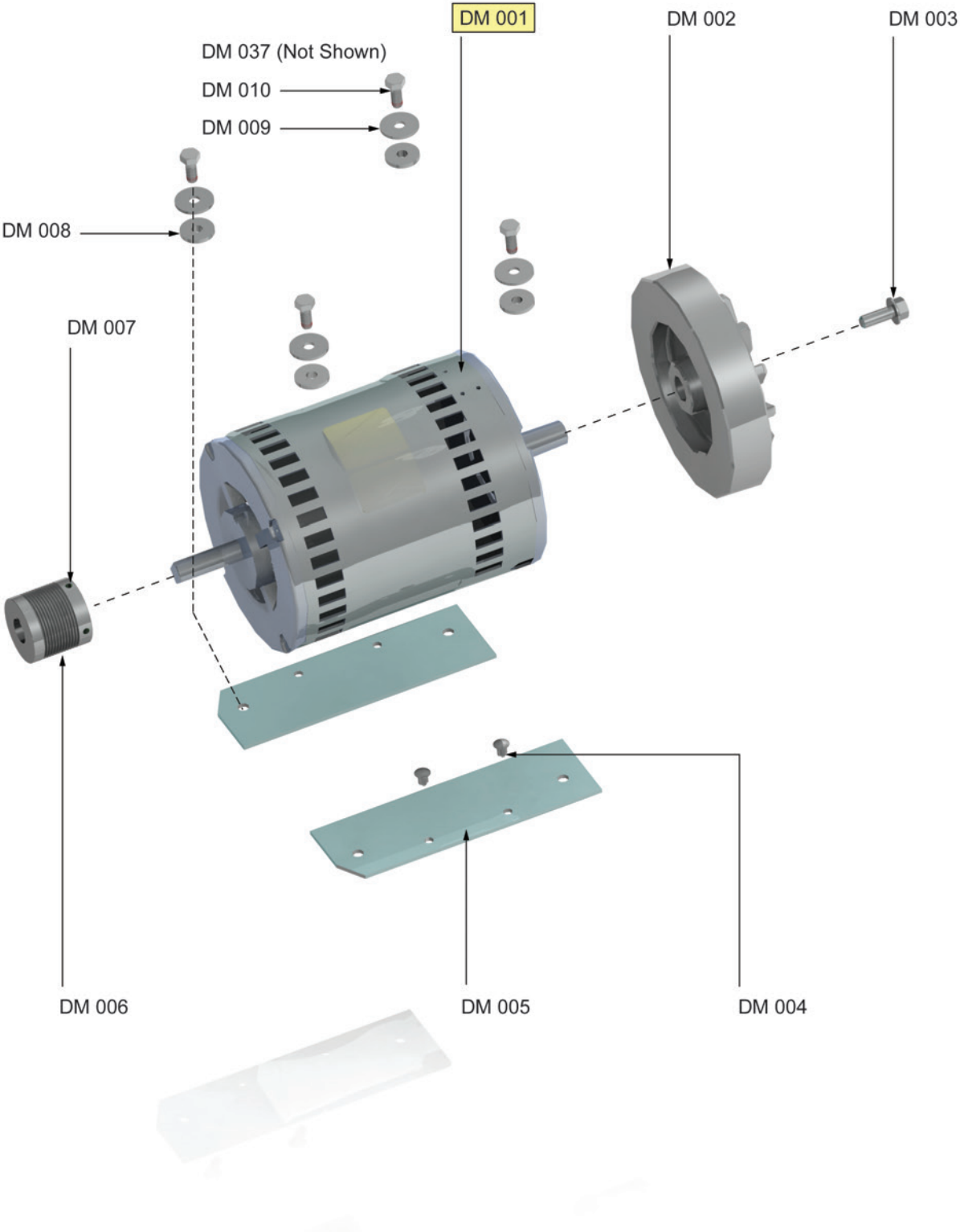
Item	Alpha Code(s)	Part Number	Description
MISC-001	TWT, TET, PCT, PST, PET	M051-00K65-A001	Operation Manual
MISC-002	TET, PET	AK65-00210-0002	Hardware Bag
MISC-003	TWT, PCT, PST	AK65-00025-0000	Hardware Bag
MISC-004	TWT, TET, PCT, PST, PET	0017-00021-2740	CSAFE Splitter
MISC-005	TWT, TET, PCT, PST, PET	0017-00101-1769	Screw - 8-18x12 (2)
MISC-006	TWT, TET, PCT, PST, PET	0017-00101-1902	Screw - M6x1.00-6G6Gx20(7)
MISC-007	TWT, TET, PCT, PST, PET	0017-00101-1954	Screw - M6x.100-6G6Gx35 (6)
MISC-008	TWT, TET, PCT, PST, PET	0017-00101-1984	Screw - M12x1.75-6G6Gx30 (16)
MISC-009	TWT, TET, PCT, PST, PET	0017-00101-1953	Screw - M6x1.00-6G6Gx14 (68)
MISC-010	TWT, TET, PCT, PST, PET	0017-00101-1776	Screw - 10-16x8 (8)
MISC-011	TWT, TET, PCT, PST, PET	0017-00101-1995	Screw - M3x.8-6G6Gx10 (4)
MISC-012	TWT, TET, PCT, PST, PET	0017-00104-0488	Washer - M006.50 (19)
MISC-013	TWT, TET, PCT, PST, PET	0017-00104-0489	Washer - M012.70 (16)
MISC-014	TWT, TET, PCT, PST, PET	0017-00008-0204	Touch Up Paint: Spray Can
MISC-015	TWT, TET, PCT, PST, PET	0017-00008-0205	Touch Up Paint: 0.5 Oz Bottle w/ Applicator
MISC-016	TWT, TET, PCT, PST, PET	0017-00008-0206	Touch Up Paint: 0.33 Oz Pen
MISC-017	TWT, TET, PCT	0017-00003-0980	Line Cord: Domestic Low Voltage
MISC-018	TWT, TET, PCT, PST, PET	0017-00003-0781	Line Cord: Domestic High Voltage
	TWT, TET, PCT, PST, PET	0017-00003-1075	Line Cord: Domestic High Voltage
MISC-019	TWT, TET, PCT, PST, PET	0017-00003-0696	Line Cord: International High Voltage (Cont.)
MISC-020	TWT, TET, PCT, PST, PET	0017-00003-0890	UK
MISC-021	TWT, TET, PCT, PST, PET	0017-00003-0996	Australia*
MISC-022	TWT, TET, PCT, PST, PET	0017-00003-1014	China*
MISC-023	TWT, PCT, PST	0K65-01131-0000	Line Cord Bracket
MISC-024	TET, PET	0K65-01297-0000	Line Cord Bracket
MISC-025	TWT, TET, PCT, PST, PET	0017-00101-1968	Screw - M4x.07-6G6Gx10 (INT Only)
MISC-026	PST, PET	0017-00003-0985	Line Cord: Domestic Low Voltage
MISC-027	PST, PET	0017-00042-0785	Strain Relief Domestic Low Voltage



Throughout this document, Assemblies are displayed inside a Rectangle.

# Drive Motor

## Drive Motor Assembly

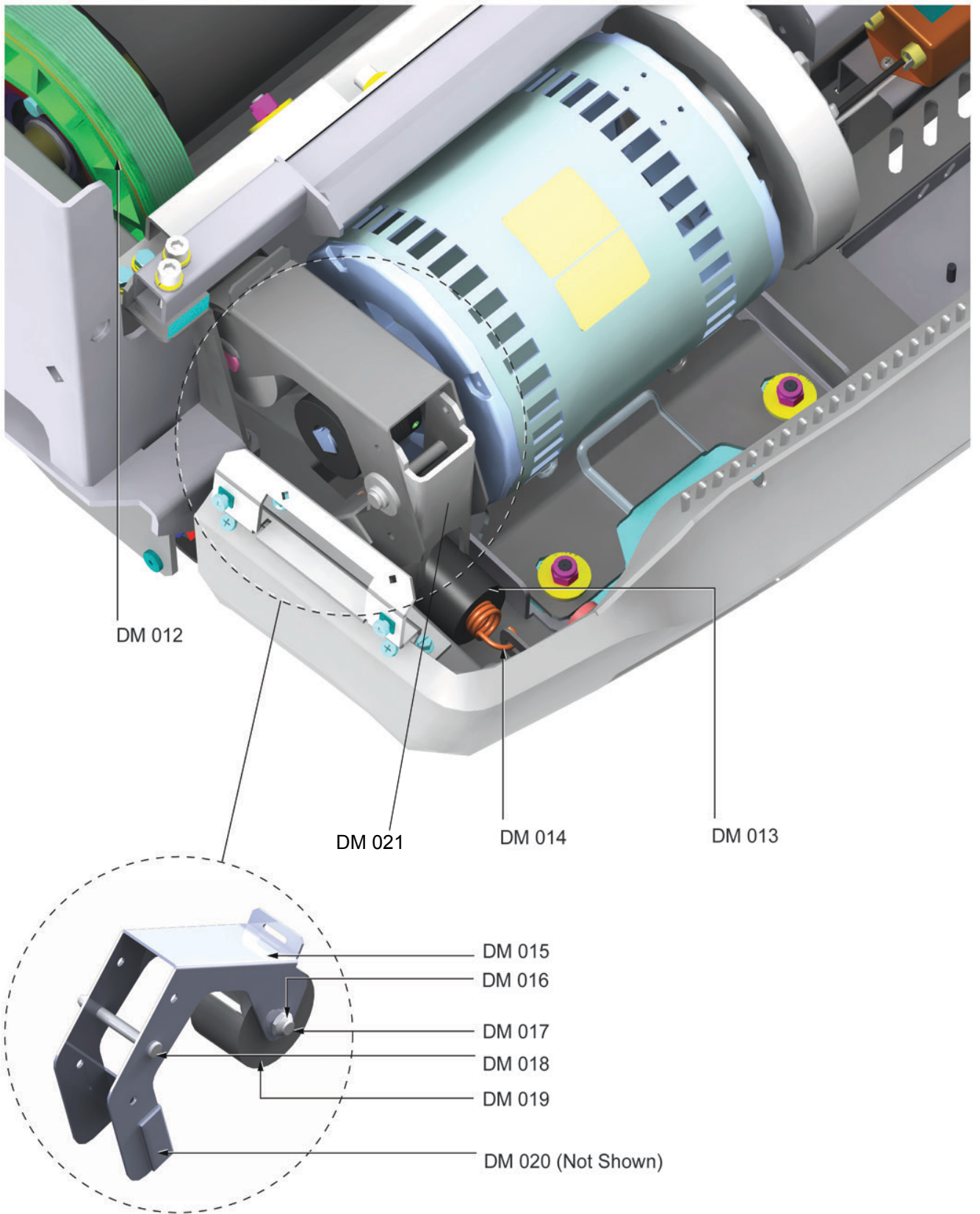


## Part Numbers

Item	Alpha Code(s)	Part Number	Description
DM-001	TWT,TET, PCT,PST,PET	0K58-0FH	Driver Motor
DM-002	TWT,TET, PCT,PST,PET	0K65-01221-0000	Flywheel with Fan
DM-003	TWT,TET, PCT,PST,PET	0017-00101-1885	Hex Bolt
DM-004	TET,PET	0017-00042-1212	Clips (4)
DM-005	TWT,TET, PCT,PST,PET	0K58-01256-0001	Insulating Pad
DM-006	TWT,TET, PCT,PST,PET	0K58-01057-0001	Drive Pulley
DM-007	TWT,TET, PCT,PST,PET	0017-00101-0333	Set Screws
DM-008	TWT,TET, PCT,PST,PET	0K58-01255-0000	Insulating Washers (4)
DM-009	TWT,TET, PCT,PST,PET	0017-00104-0409	Washer (4)
DM-010	TET,PET	0017-00101-1945	Hex Bolt (4)
DM-037	TWT,PCT,PST	0017-00103-0333	Lock Nut (4)

# Idler Assembly and Drive Belt

DM 011

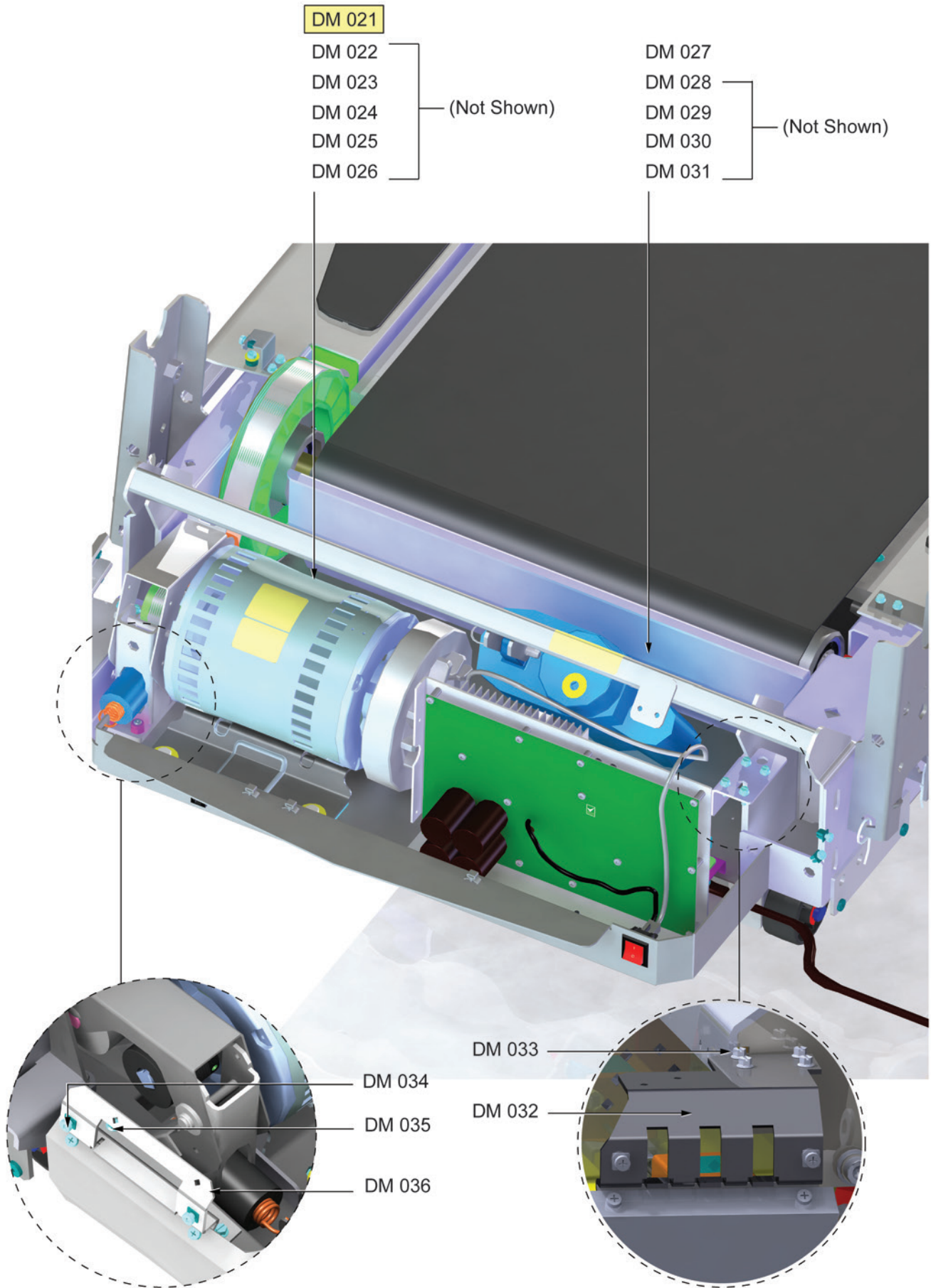


## Part Numbers

Item	Alpha Code(s)	Part Number	Description
DM-011	TWT,TET, PCT,PST,PET	AK65-00029-0000	Idler Assembly
DM-012	TWT,TET, PCT,PST,PET	0K58-01114-0000	Poly-V Drive Belt
DM-013	TWT,TET, PCT,PST,PET	0K26-02055-0000	Spring Damper
DM-014	TWT,TET, PCT,PST,PET	0K58-01085-0000	Extension Spring
DM-015	TWT,TET, PCT,PST,PET	0K65-01113-0000	Idler Bracket
DM-016	TWT,TET, PCT,PST,PET	0017-00103-0324	Nut
DM-017	TWT,TET, PCT,PST,PET	0K58-01084-0002	Threaded Shaft
DM-018	TWT,TET, PCT,PST,PET	0017-00007-0248	Locking Pin
DM-019	TWT,TET, PCT,PST,PET	0K26-01731-0000	Plastic Idler
DM-020	TWT,TET, PCT,PST,PET	0017-00103-0333	Mounting Screw (4)
DM-021	TWT,TET, PCT,PST,PET	AK65-00145-0000	Idler Support Bracket



# Motor Pan Brackets

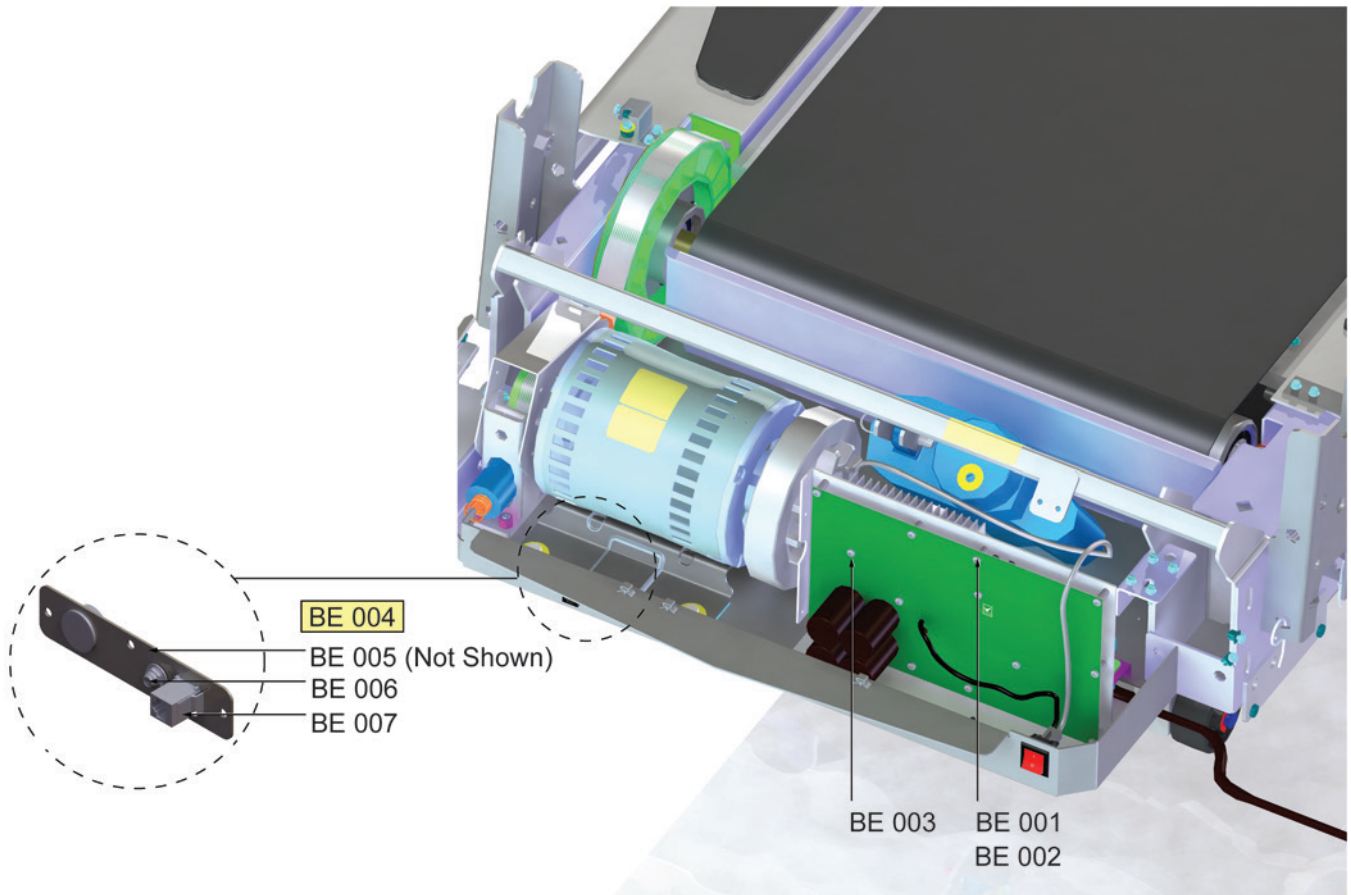


## Part Numbers

Item	Alpha Code(s)	Part Number	Description
DM-021	TWT,PCT,PST	AK65-00088-0000	Actuator and Frame Tie Weldment
DM-022	TWT,PCT,PST	0017-00104-0334	Flat Washers (5)
DM-023	TWT,PCT,PST	0017-00101-1983	Mounting Bolts(5)
DM-024	TWT,PCT,PST	0017-00104-0064	Lock Washers (5)
DM-025	TWT,PCT,PST	0017-00101-1982	Mounting Bolts(2)
DM-026	TWT,PCT,PST	0017-00104-0492	Flat Washers (2)
DM-027	TWT,PCT,PST	0K65-01187-0000	Bar Tei
DM-028	TWT,PCT,PST	0017-00101-1959	Bolt Tie Mounting Hardware Bolts
DM-029	TWT,PCT,PST	0017-00103-0333	Nut(4)
DM-030	TWT,PCT,PST	0017-00104-0333	Washer (4)
DM-031	TWT,PCT,PST	0017-00104-0263	Washer (4)
DM-032	TWT,PCT,PST	0K65-01134-0002	Left Front Motor Cover Bracket
DM-033	TWT,TET, PCT,PST,PET	0017-00101-1961	Mounting Screws (4)
DM-034	TWT,TET, PCT,PST,PET	0K65-01134-0001	Motor Cover Bracket
DM-035	TWT,TET, PCT,PST,PET	0017-00101-1961	Mounting Screws (3)
DM-036	TWT,TET, PCT,PET,PST	0017-00042-1147	Nylon Screw Grommet

# Base Frame Electronics

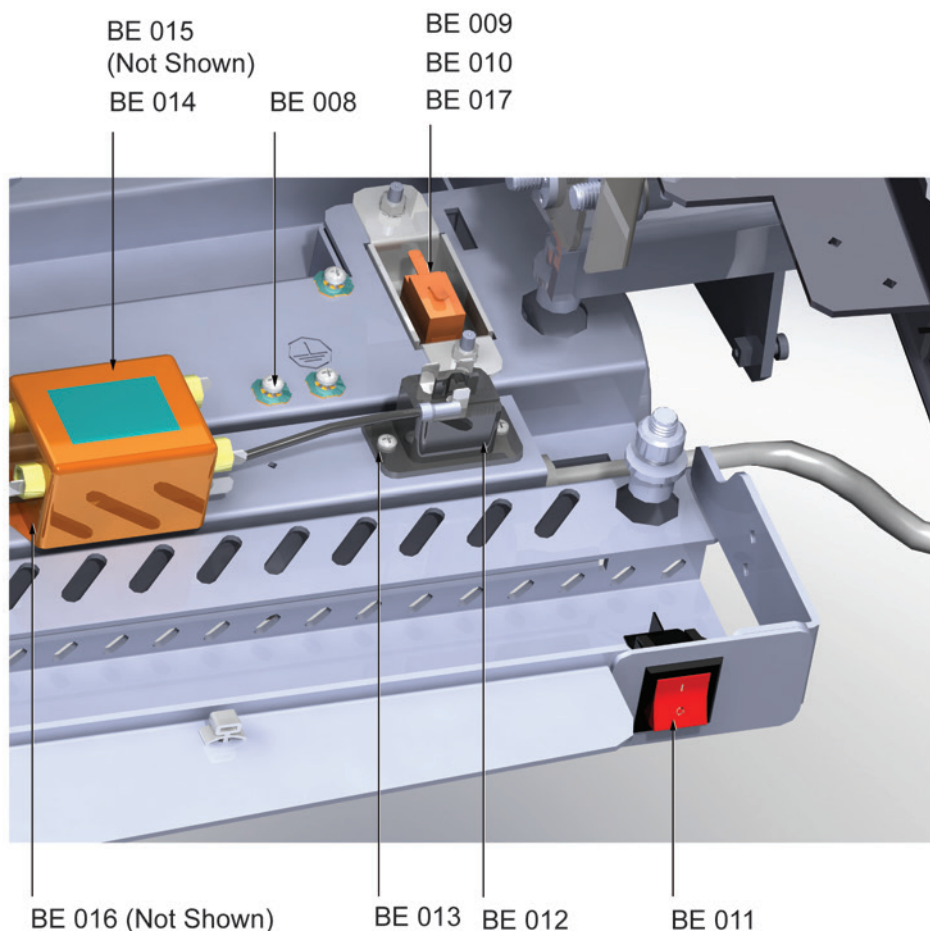
## DSP Motor Controller



### Part Numbers

Item	Alpha Code(s)	Part Number	Description
BE-001	TWT,TET	AK75-00005-0000	AC Motor Controller, Commercial, Low Voltage
"	PET,PST,PCT	AK75-00005-0002	AC Motor Controller, Consumer, Low Voltage
BE-002	TWT,TET	AK75-00005-0001	AC Motor Controller, Commercial, High Voltage
"	PET,PST,PCT	AK75-00005-0003	DSP Motor Controller, Consumer, High Voltage
BE-003	TWT,TET, PCT,PST,PET	0017-00103-0350	Hex Nut (3)
BE-004	TWT,TET, PCT,PST,PET	AK65-00082-0000	Comm Port Plate Assembly
BE-005	TWT,TET, PCT,PST,PET	0017-00021-2810	F-Type Right Angle Adaptor
BE-006	TWT,TET, PCT,PST,PET	0017-00021-2846	F-Type Panel Connector
BE-007	TWT,TET, PCT,PST,PET	0017-00021-2847	Phone Jack Panel Receptacle
BE-008	TWT,TET, PCT,PST,PET	AK58-00523-0000	P9 Power Jumper for DSP Motor Controller, LCD. Note: Reuse from old board when possible.

## On-off Switch, Home Switch, and Line Filter

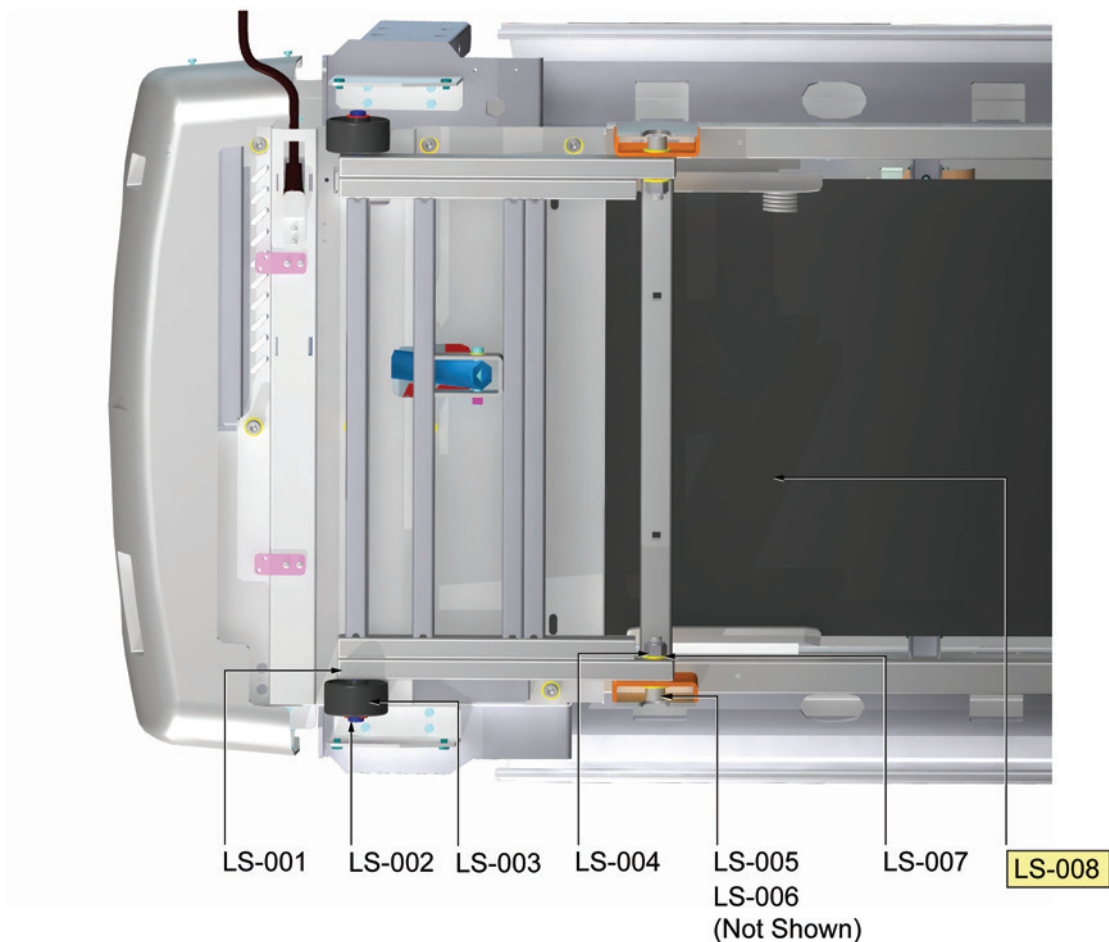


### Part Numbers

Item	Alpha Code(s)	Part Number	Description
BE-008	TWT,TET, PCT,PST,PET	0017-00101-1968	Ground Screws
BE-008*	TET,PET	0017-00101-0883	Ground Screws (3)
BE-009	TWT,TET, PCT,PST,PET	0017-00032-0195	Home Switch
BE-010	TWT,PCT,PST	0017-00103-0350	Mounting Nuts
BE-011	TWT,TET, PCT,PST,PET	0017-00032-0198	On/Off Switch
BE-012	TWT,TET, PCT,PST,PET	0017-00003-0949	IEC Receptacle
BE-013	TWT,TET, PCT,PST,PET	0017-00101-1969	IEC Receptacle Mounting Screw
BE-014	TWT,TET, PCT,PST,PET	0017-00003-1015	20 amp Line Filter (DOM)
BE-015	TWT,TET, PCT,PST,PET	0017-00003-0898	10 amp Line Filter (INT)
BE-016	TWT,TET, PCT,PST,PET	0017-00101-1968	Line Filter Mounting Screws (2)
BE-017	TWT,PCT,PST	0K65-01088-0001	Home Switch Bracket

# Lift System

## Lift Frame and Wheels

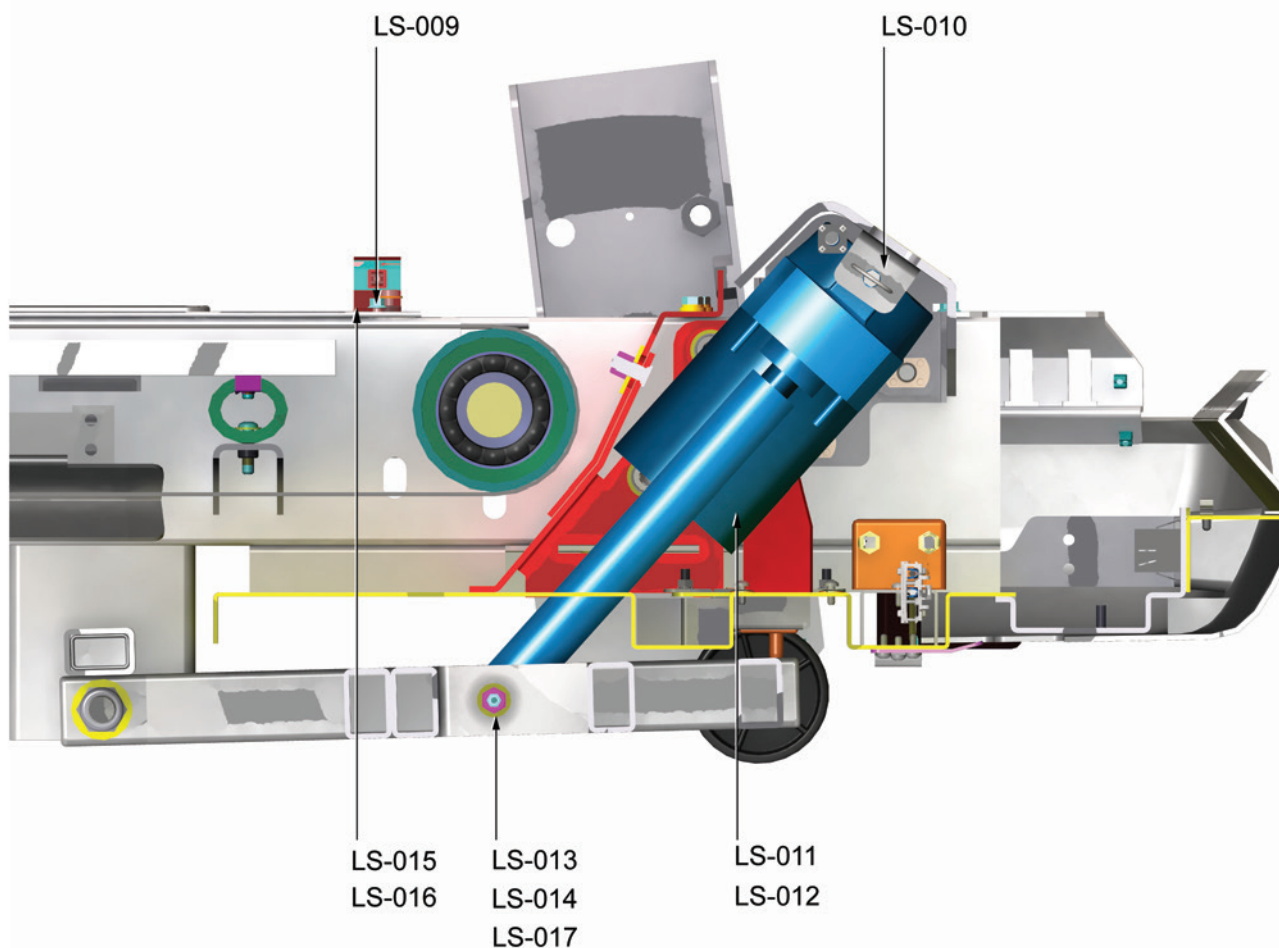


### Part Numbers

Item	Alpha Code(s)	Part Number	Description
LS-001	TWT,PCT,PST	0K60-01092-0000	Tube End Caps
LS-001*	TET,PET	7352202	Tube End Caps (2)
LS-002	TWT,TET, PCT,PST,PET	0017-00100-0249	Snap Rings
LS-003	TWT,TET, PCT,PST,PET	0K65-01245-0000	Lift Wheels (2)
LS-004	TWT,PCT,PST	0017-00103-0349	Lift Frame Mounting Nuts (2)
LS-004*	TET,PET	0017-00103-0285	Lift Frame Mounting Nuts (2)
LS-005	TWT,PCT,PST	0017-00101-1964	Lift Frame Mounting Bolt (2)
LS-005*	TET,PET	0017-00101-1777	Lift Frame Mounting Bolt (2)
LS-006	TWT,PCT,PST	0K65-01242-0000	Sleeve Bushings (2)
LS-006*	TET,PET	0K58-01089-0000	Sleeve Bushings (2)
LS-007	TWT,TET, PCT,PST,PET	0017-00104-0259	Washer (4)
LS-008	TWT,PCT,PST	AK65-00089-0001	Painted Lift Frame Weldment
LS-008*	TET,PET	AK65-00137-0000	Painted Lift Frame Weldment



## Lift Motor and Hardware

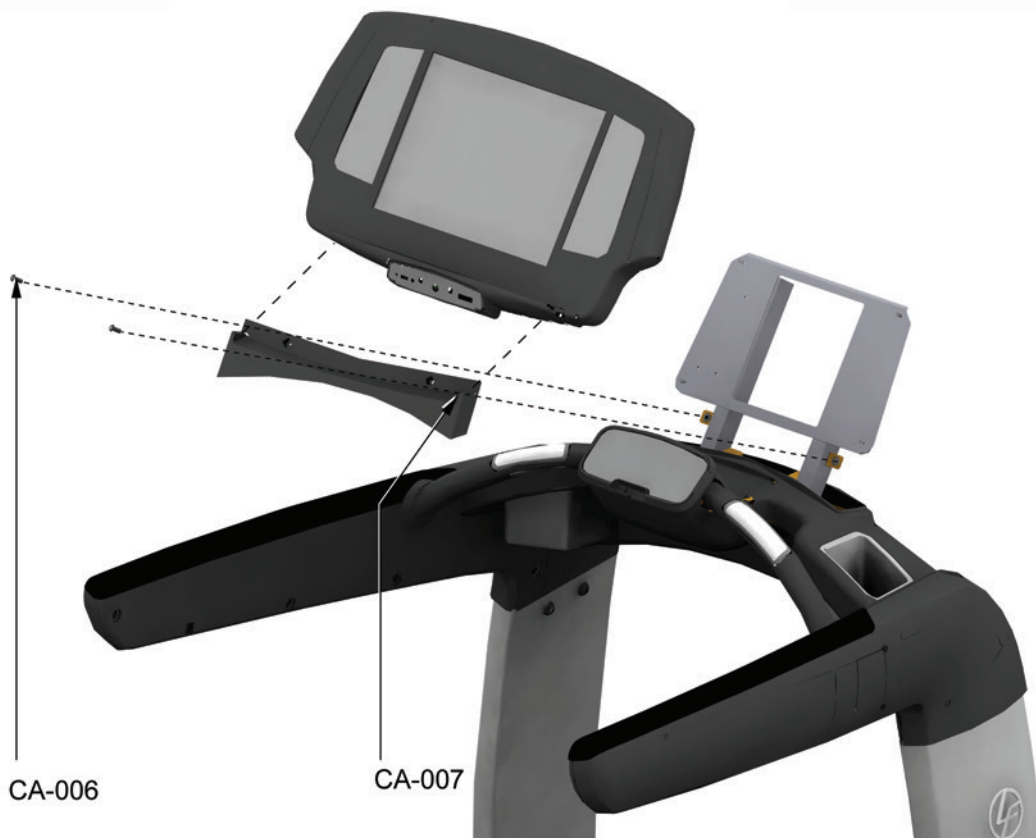
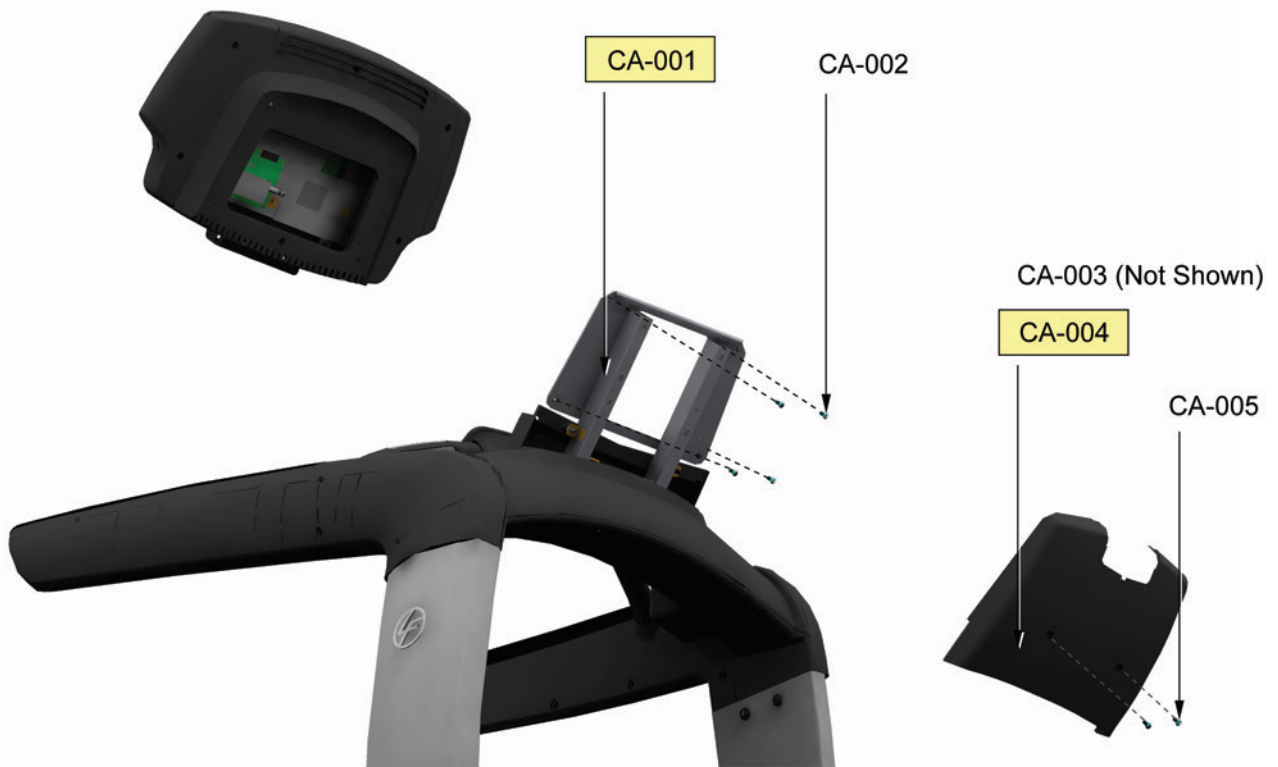


### Part Numbers

Item	Alpha Code(s)	Part Number	Description
LS-009	TWT,TET, PCT,PST,PET	0017-00042-1147	Nylon Screw Cover Brackets
LS-010	TWT,TET, PCT,PST,PET	0017-00007-0275	Ring Grip Pin
LS-011	TWT,TET, PCT,PST,PET	0K65-01192-0001	Lift Actuators 115V
LS-012	TWT,TET, PCT,PST,PET	GK65-00002-0009	Lift Actuators 230V
LS-013	TWT,TET, PCT,PST,PET	0017-00101-2038	Bolt
LS-014	TWT,TET, PCT,PST,PET	0017-00103-0027	Nut
LS-015	TWT,TET, PCT,PST,PET	0K65-01135-0001	Rear Motor Cover Bracket Right
LS-016	TWT,TET, PCT,PST,PET	0K65-01135-0002	Rear Motor Cover Bracket Left
LS-017	TWT,TET, PCT,PST,PET	0017-00104-0043	Washer (2)

# Console Assembly

## Console Bracket and Covers



## Part Numbers

Item	Alpha Code(s)	Part Number	Description
CA-001	TWT,TET, PCT,PST,PET	AK65-00130-0000	Console Bridge Weldment/AVK
CA-002	TWT,TET, PCT,PST,PET	0017-00101-1995	Console Mounting Screws (4)
CA-003	TWT,TET, PCT,PST,PET	0K65-01189-0000	LCD Access Cover
CA-004	TWT,TET, PCT,PST,PET	AK65-00090-0000	Rear Console Cover w/Decal
CA-005	TWT,TET, PCT,PST,PET	0017-00101-1953	Rear Console Cover Screw (2)
CA-006	TWT,TET, PCT,PST,PET	0017-00101-1953	Neck Spacer Screws
CA-007	TWT,TET, PCT,PST,PET	0K65-01188-0000	Console Neck Spacer

## Consoles



CN-008, CN-009



CN-010, CN-011,



CN-012, CN-013,  
CN-014,

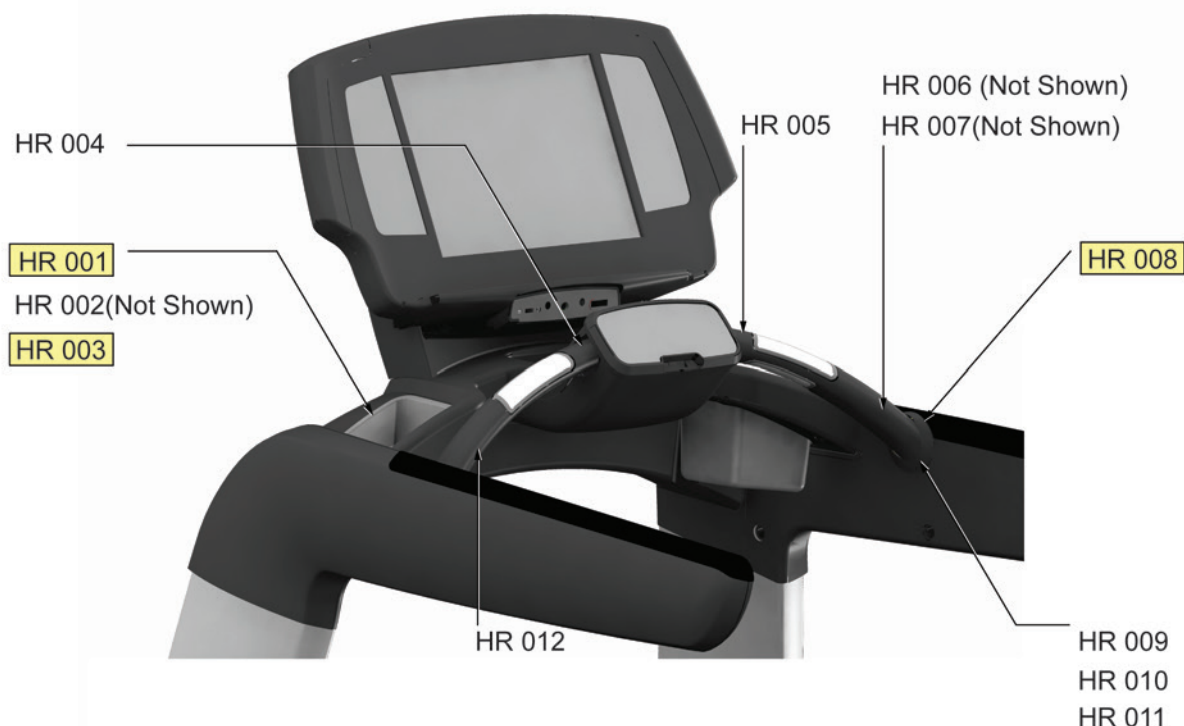
## Part Numbers

Item	Alpha Code(s)	Part Number	Description
CN-008	TWT,TET, PCT,PST,PET	LEDT-DOMXX-01	LED Treadmill Console – English
CN-009	TWT,TET, PCT,PST,PET	LEDT-INTXX-01	LED Treadmill Console - International
CN-010	TWT,TET, PCT,PST,PET	07DT-DOMXX-01	7-Inch LCD Treadmill Console Dom
CN-011	TWT,TET, PCT,PST,PET	07DT-INTXX-01	7-Inch LCD Treadmill Console Int
CN-012	TWT,TET, PCT,PST,PET	15DT-DOMXN-01	15-Inch LCD Treadmill Console Dom NTSC
CN-013	TWT,TET, PCT,PST,PET	15DT-INTXN-01	15-Inch LCD Treadmill Console NTSC
CN-014	TWT,TET, PCT,PST,PET	15DT-INTXP-01	15-Inch LCD Treadmill Console PAL



# Heart Rate System

## Ergo Bar Components



### Part Numbers

Item	Alpha Code(s)	Part Number	Description
HR-001	TWT,TET, PCT,PST,PET	GK65-00002-0002	HR Sensor Kit
HR-002	TWT,TET, PCT,PST,PET	0017-00101-1984	Bridge Weldment Mounting Screw
HR-003	TWT,TET, PCT,PST,PET	AK65-00129-0000	Bridge Weldment
HR-004	TWT,TET, PCT,PST,PET	0K65-01204-0002	Inner Ergo Bar Gasket (Left)
HR-005	TWT,TET, PCT,PST,PET	0K65-01204-0001	Inner Ergo Bar Gasket (Right)
HR-006	TWT,TET, PCT,PST,PET	0017-00101-1954	Mounting Screw (4)
HR-007	TWT,TET, PCT,PST,PET	0017-00104-0488	Flat Washers (4)
HR-008	TWT,TET, PCT,PST,PET	AK65-00014-0000	Ergo Bar Assembly
HR-009	TWT,TET, PCT,PST,PET	0K65-01203-0001	Outer Ergo Bar Gasket (Right)
HR-010	TWT,TET, PCT,PST,PET	0K65-01133-0001	Heart Rate Electrodes Gasket (Front)
HR-011	TWT,TET, PCT,PST,PET	0K65-01133-0002	Heart Rate Electrodes Gasket (Back)
HR-012	TWT,TET, PCT,PST,PET	0K65-01203-0002	Outer Ergo Bar Gasket (Left)

# Stride (Walking) System

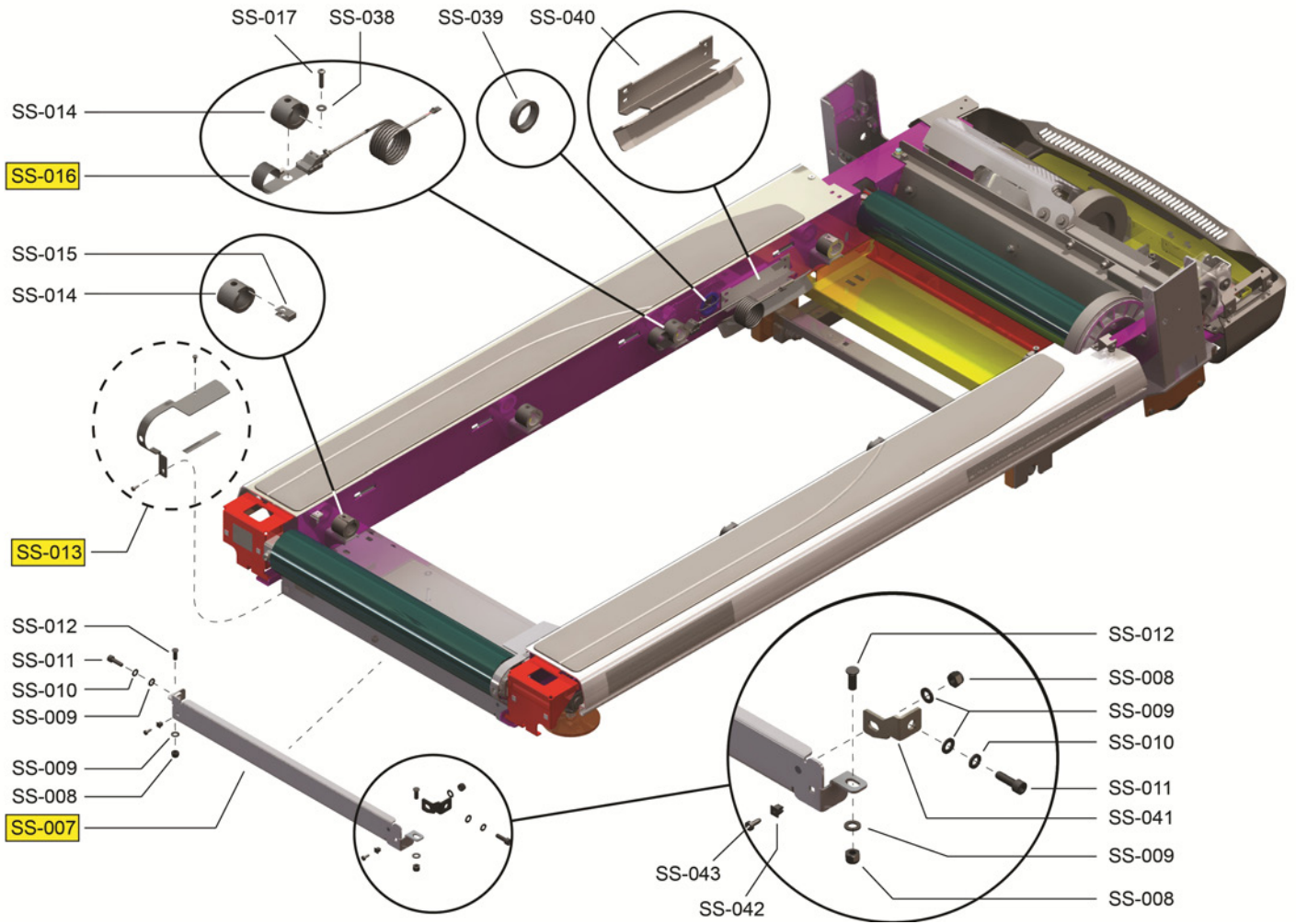
## Leg Leveler Assembly



### Part Numbers

Item	Alpha Code(s)	Part Number	Description
SS-001	TWT,TET, PCT,PST,PET	AK58-00370-0000	Leg Leveler Assembly
SS-002	TWT,TET, PCT,PST,PET	0017-00103-0333	Hex Nuts (4)
SS-002*	TET,PET	0017-00101-1945	Bolt (4)
SS-003	TWT,TET, PCT,PST,PET	0K58-01083-0000	Leveler Bracket
SS-004	TWT,TET, PCT,PST,PET	0K58-01099-0000	Stop Nut
SS-005	TWT,TET, PCT,PST,PET	0K58-01110-0000	Leveler Foot
SS-006	TWT,TET, PCT,PST,PET	0K58-01098-0000	Pivot Pin
SS-037	TWT,TET, PCT,PST,PET	0017-00104-0469	Washer (4)

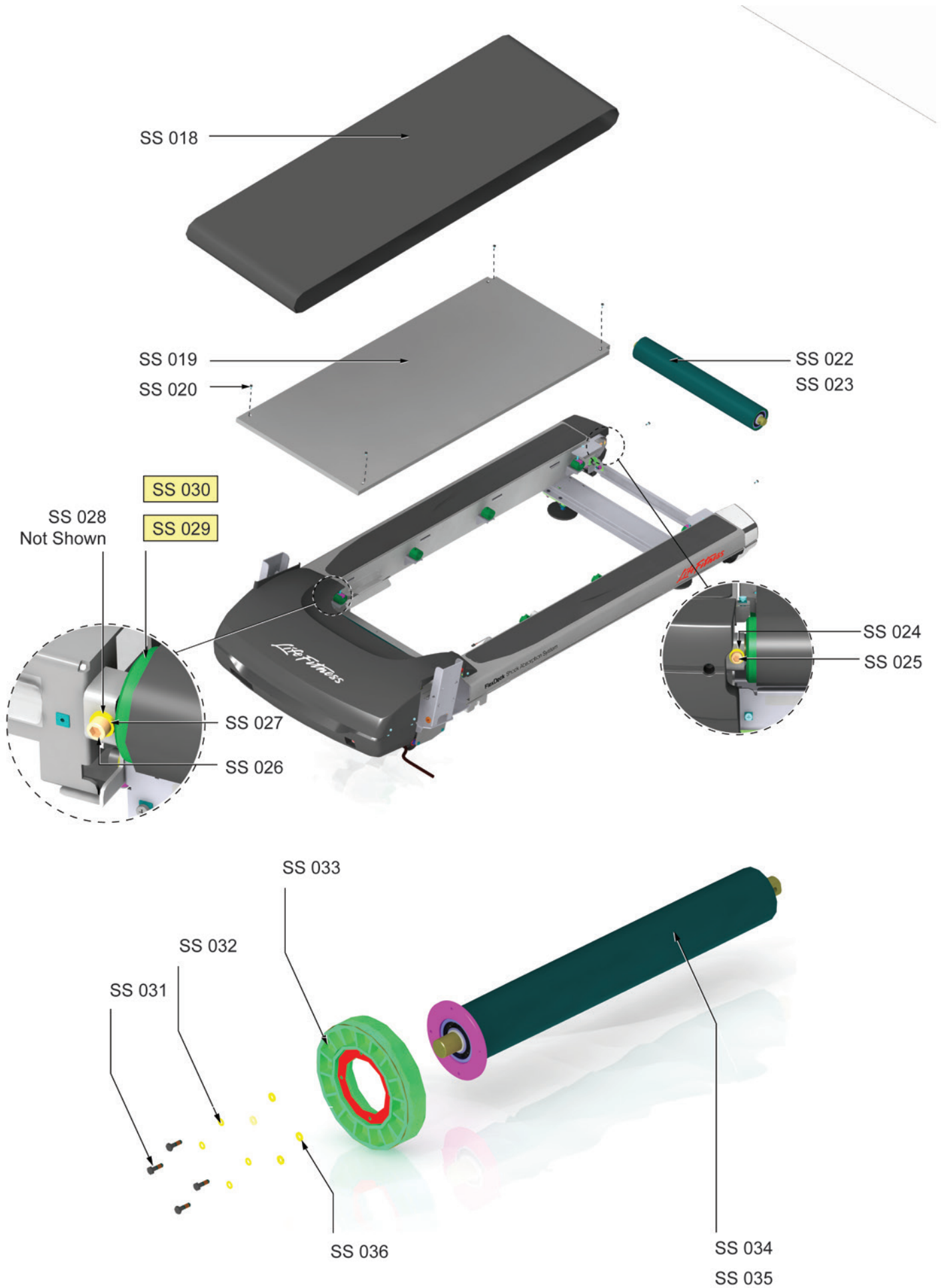
# Deck Springs, Stride Sensor and Roller Guards



## Part Numbers

Item	Alpha Code(s)	Part Number	Description
SS-007	TWT, PCT,PST	AK65-00080-0000	Toe Guard
SS-008	TWT,TET, PCT,PST,PET	0017-00103-0333	Nut (3)
SS-009	TWT,TET, PCT,PST,PET	0017-00104-0469	Washer (5)
SS-010	TWT, PCT,PST	0017-00104-0064	Lock Washer (2)
SS-011	TWT, PCT,PST	0017-00101-1967	Bolt (2)
SS-012	TWT, PCT,PST	0017-00009-1251	Screw (2)
SS-013	TWT, PCT,PST	GK65-00002-0001	Roller Guard Kit
SS-014	TWT,TET, PCT,PST,PET	0K40-01026-0002	Deck Spring (8)
SS-015	TWT, PCT,PST	0017-00103-0198	Tinnerman Clip (4)
SS-016	TWT,TET	AK58-00560-0000	Stride Sensor Assembly
SS-017	TWT,TET, PCT,PST,PET	0017-00101-1652	Spring Mounting Screw (8)
SS-038	TWT,TET, PCT,PST,PET	0017-00104-0072	Flat Washer (8)
SS-039	TWT,TET	0017-00042-1180	Snap Bushing
SS-040	TWT, PCT,PST	0K65-01191-0000	Walking Belt Barrier (2)
SS-041	TWT, PCT,PST	AK65-00079-0000	Toe Guard L-bracket
SS-042	TWT, PCT,PST	0017-00042-1147	Grommet (2)
SS-043	TWT, PCT,PST	0017-00101-1776	Screw (2)

# Belt, Deck and Rollers



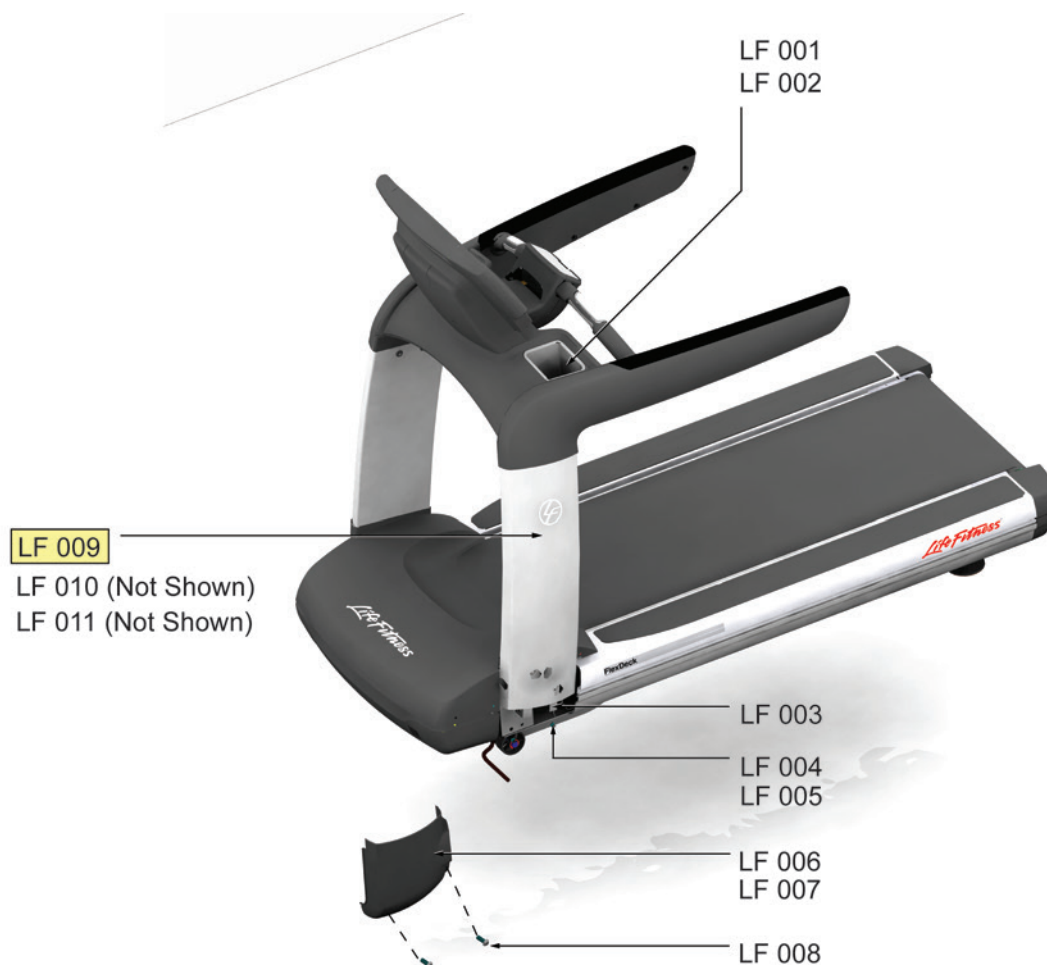
## Part Numbers

Item	Alpha Code(s)	Part Number	Description
SS-018	TWT,TET	0K65-01002-0000	Striding Belt
SS-018*	TWT,TET	0K65-01267-0000	Striding Belt (IFI)
SS-018*	PCT,PST,PET	0K65-01272-0000	Striding Belt
SS-019	TWT,TET	0K65-01263-0000	Deck
SS-019*	PCT,PST,PET	0K65-01273-0000	Deck
SS-020	TWT,TET, PCT,PST,PET	0017-00101-1775	Deck Screws
SS-022	TWT,TET, PCT,PST,PET	0K65-01199-0000	Rear Roller Domestic
SS-023	TWT,TET, PCT,PST,PET	0K65-01199-0001	Rear Roller International
SS-024	TWT,TET, PCT,PST,PET	0017-00104-0492	Flat Washer (2)
SS-025	TWT,TET, PCT,PST,PET	0017-00101-1880	Rear Roller Tension Bolts
SS-026	TWT,TET, PCT,PST,PET	0017-00101-0974	Mounting Bolt
SS-027	TWT,TET, PCT,PST,PET	0017-00104-0043	Flat Washer
SS-028	TWT,TET, PCT,PST,PET	0017-00104-0006	Lock Washer
SS-029	TWT,TET, PCT,PST,PET	AK65-00067-0000	Front Roller Assembly Domestic
SS-030	TWT,TET,PET	AK65-00067-0001	Front Roller Assembly International
SS-031	TWT,TET, PCT,PST,PET	0017-00101-1632	Hex Bolt(4)
SS-032	TWT,TET, PCT,PST,PET	0017-00104-0330	Flat Washers (4)
SS-033	TWT,TET, PCT,PST,PET	0K58-01105-0000	Drive Pulley
SS-034	TWT,TET, PCT,PST,PET	0K65-01195-0000	Front Roller Domestic
SS-035	TWT,TET,PET	0K65-01195-0001	Front Roller International
SS-036	TET,PET	0017-00104-0005	Lock Washer (4)



# Lower Frame

## Uprights and Covers



### Part Numbers

Item	Alpha Code(s)	Part Number	Description
LF-001	TWT,TET, PCT,PST,PET	0K65-01174-0001	Cup Holders Right
LF-002	TWT,TET, PCT,PST,PET	0K65-01174-0002	Cup Holders Left
LF-003	TWT,TET, PCT,PST,PET	0017-00042-0326	Plastic Grommets
LF-004	TWT,PCT,PST,	0K65-01176-0001	Upright Cover Support Bracket Right
LF-005	TWT,PCT,PST,	0K65-01176-0000	Upright Cover Support Bracket Left
LF-006	TWT,TET, PCT,PST,PET	0K65-01127-0001	Right Upright Cover
LF-007	TWT,TET, PCT,PST,PET	0K65-01127-0002	Left Upright Cover
LF-008	TWT,TET, PCT,PST,PET	0017-00101-1776	Upright Cover Mounting Screw (4)
LF-009	TWT,TET	GK65-00002-0010	Right or Left Upright Assembly
LF-009*	PCT,PST,PET	GK65-00002-0013	Right or Left Upright Assembly (PCST)
LF-010	TWT,TET, PCT,PST,PET	0017-00101-1984	Upright Mounting Bolts (6)
LF-011	TWT,TET, PCT,PST,PET	0017-00104-0489	Washer (6)

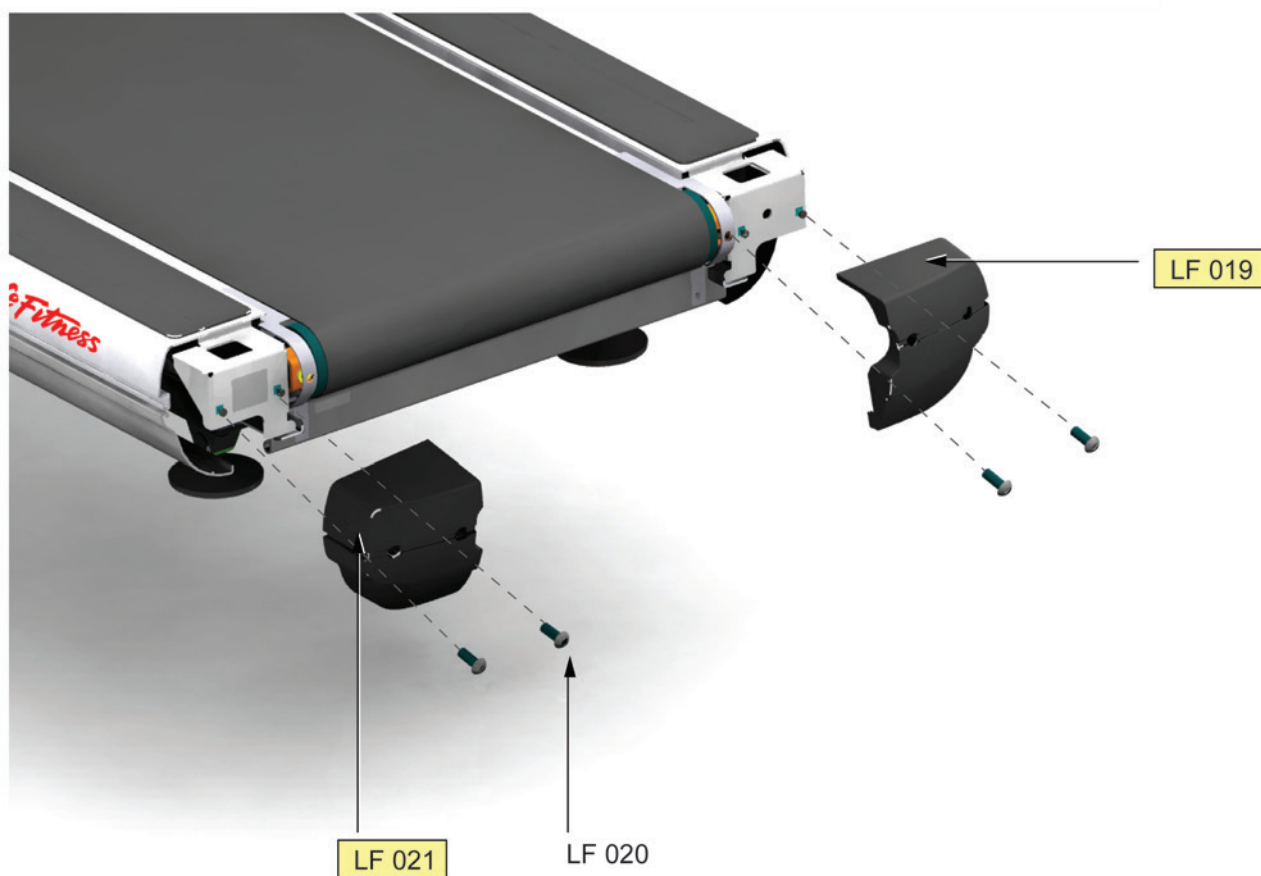
## Anti-slip Pad and Extrusions



### Part Numbers

Item	Alpha Code(s)	Part Number	Description
LF-012	TWT,TET, PCT,PST,PET	0K65-01190-0001	Right Anti slip Pad
LF-013	TWT,TET, PCT,PST,PET	0K65-01190-0002	Left Anti slip Pad
LF-014	TWT,TET, PCT,PST,PET	GK65-00002-0003	Right Upper Extrusion/Anti-slip Pad Kit
LF-015	TWT,TET, PCT,PST,PET	GK65-00002-0004	Left Upper Extrusion/Anti-slip Pad Kit
LF-016	TWT,TET, PCT,PST,PET	AK65-00093-0003	RH Lower Frame Extrusion Assembly
LF-017	TWT,TET, PCT,PST,PET	AK65-00093-0004	LH Lower Frame Extrusion Assembly
LF-018	TWT,TET, PCT,PST,PET	0K65-01259-0000	Lower Extrusion Spacer

## Rear End Caps

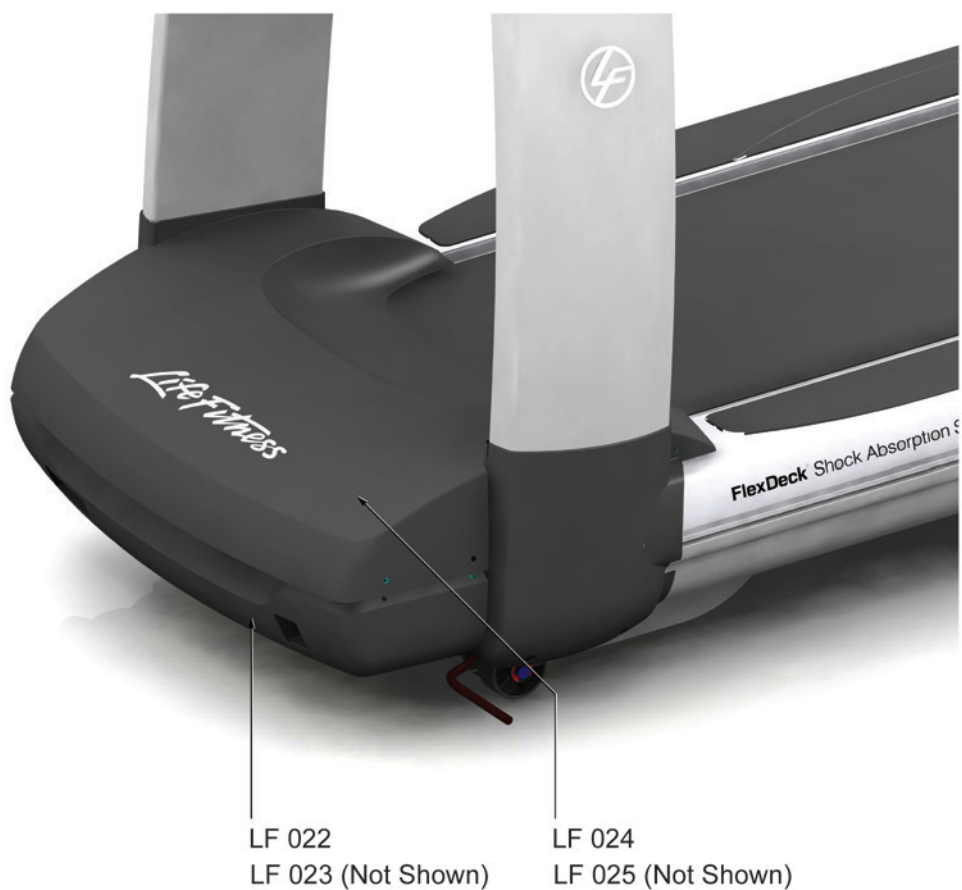


## Part Numbers

Item	Alpha Code(s)	Part Number	Description
LF-019	TWT,TET, PCT,PST,PET	GK65-00002-0023	Right Rear End Cap Kit
LF-020	TWT,TET, PCT,PST,PET	0017-00101-1776	Rear End Cap Mounting Screws (4)
LF-021	TWT,TET, PCT,PST,PET	GK65-00002-0022	Left Rear End Cap Kit
LF-022	TWT,TET, PCT,PST,PET	AK65-00124-0000	End Cap Clip (2) (Not Shown)



## Motor Pan Covers

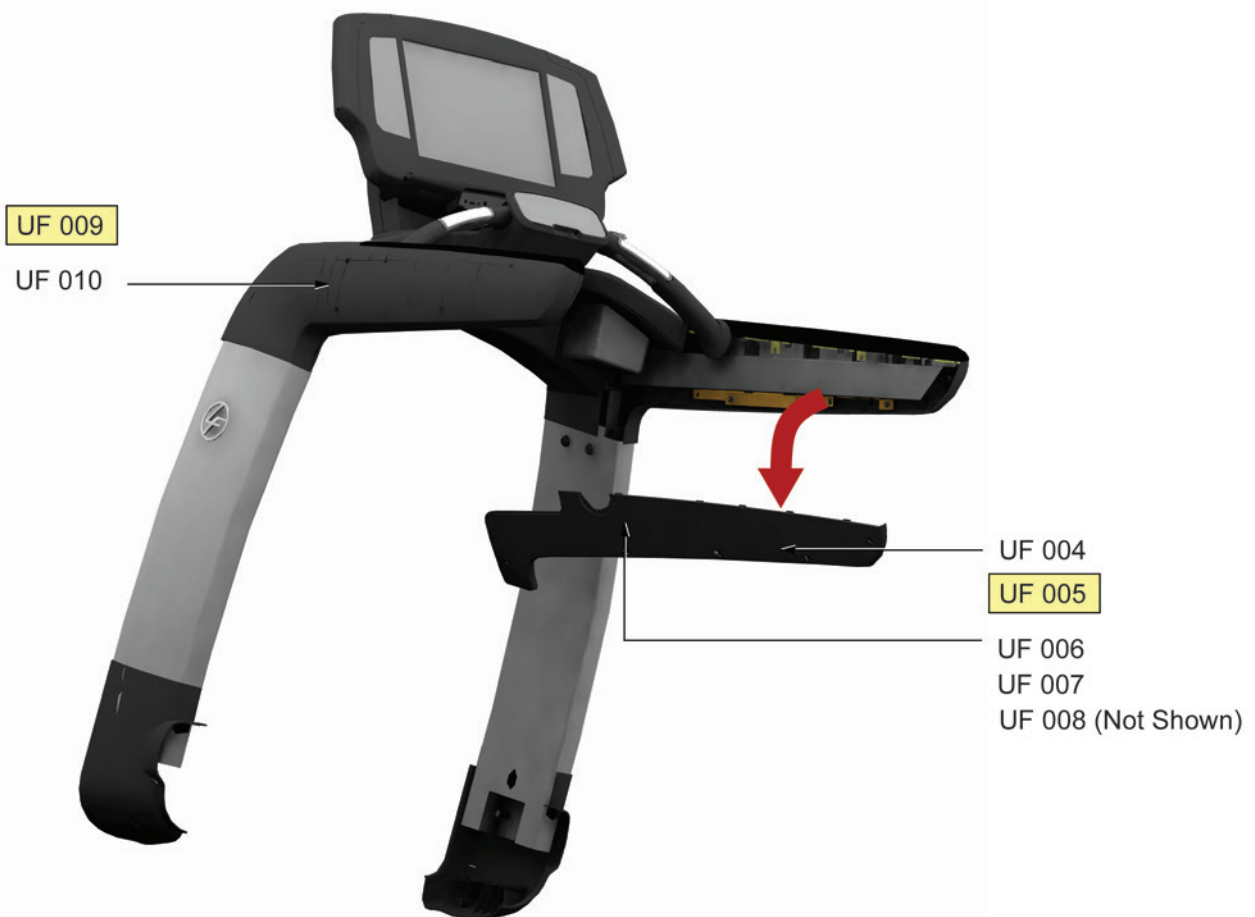
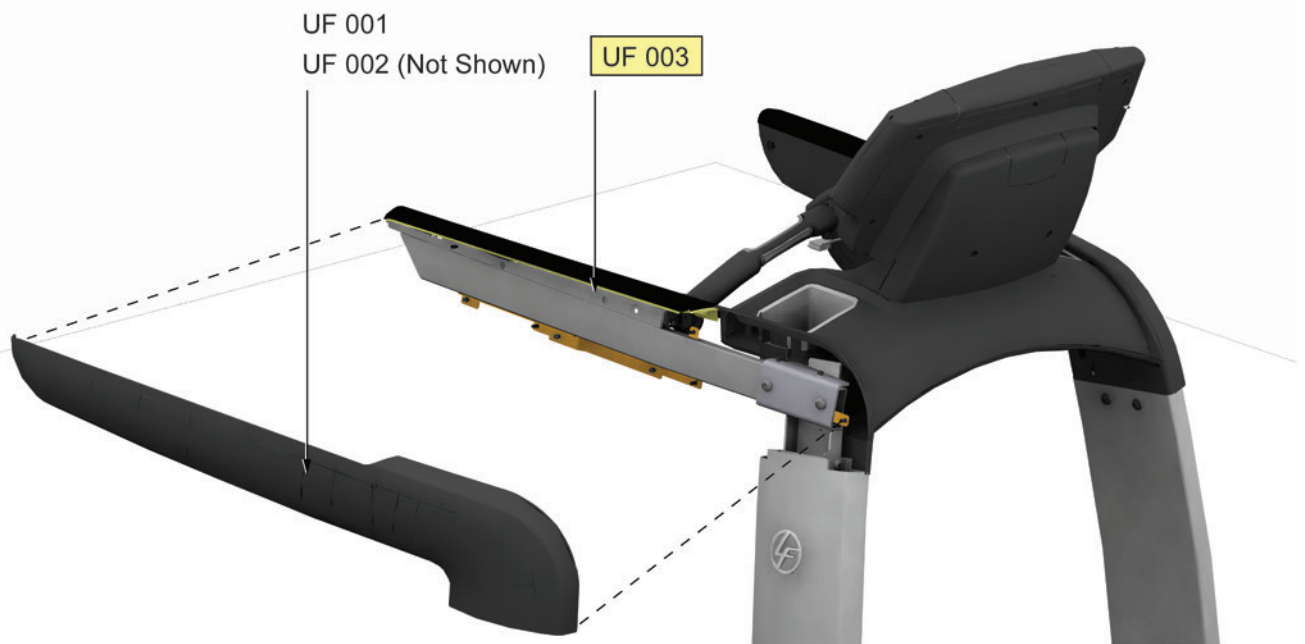


## Part Numbers

Item	Alpha Code(s)	Part Number	Description
LF-022	TWT,TET, PCT,PST,PET	0K65-01126-0001	Bottom Motor Cover
LF-023	TWT,TET, PCT,PST,PET	0017-00101-1776	Mounting Screw (4)
LF-024	TWT,TET, PCT,PST,PET	0k65-01125-0000	Top Motor Cover
LF-025	TWT,TET, PCT,PST,PET	0017-00101-1776	Mounting Screw (6)

# Upper Frame

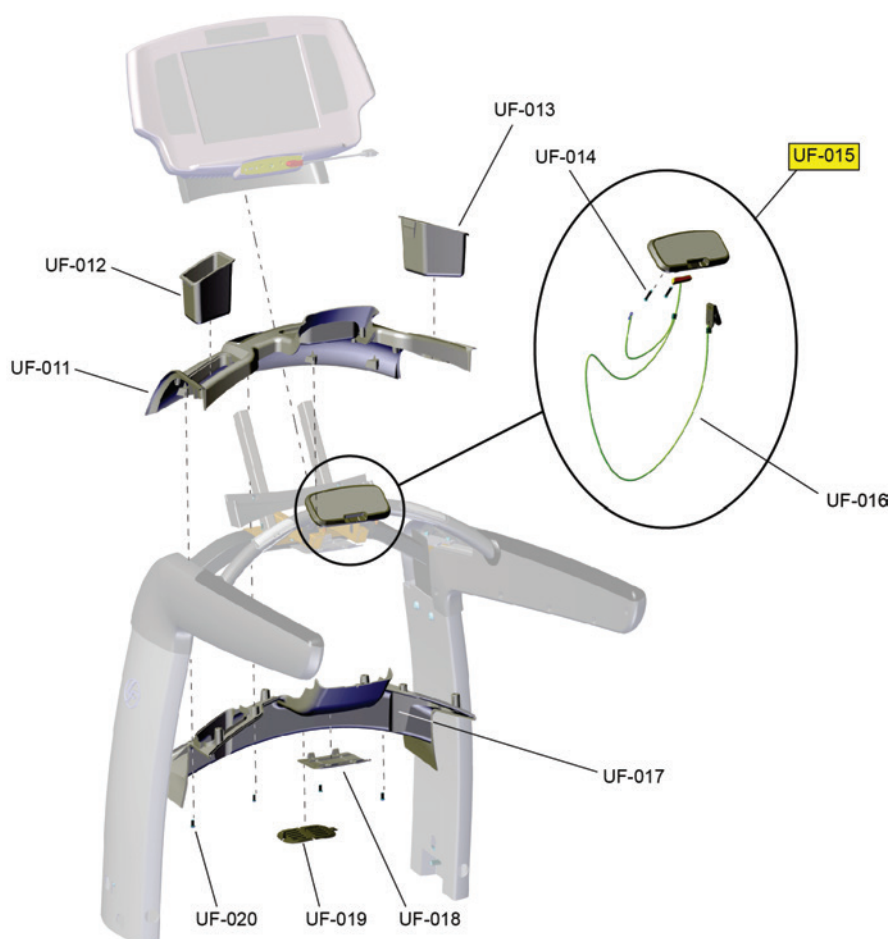
## Handrail and Covers



## Part Numbers

Item	Alpha Code(s)	Part Number	Description
UF-001	TWT,TET, PCT,PST,PET	0K65-01167-0001	Right Outer Handrail Cover
UF-002	TWT,TET, PCT,PST,PET	0017-00101-1953	Outer Handrail Mounting Screw
UF-003	TWT,TET, PCT,PST,PET	AK65-00077-0001	Right Handrail Assembly
UF-004	TWT,TET, PCT,PST,PET	0K65-01225-0000	Inner Handrail Plug
UF-005	TWT,TET, PCT,PST,PET	AK65-00101-0000	Bag of 10 Plugs
UF-006	TWT,TET, PCT,PST,PET	0K65-01168-0001	Right Inner Handrail Cover
UF-007	TWT,TET, PCT,PST,PET	0K65-01168-0002	Left Inner Handrail Cover
UF-008	TWT,TET, PCT,PST,PET	0017-00101-1953	Outer Handrail Mounting Screw
UF-009	TWT,TET, PCT,PST,PET	AK65-00077-0002	Left Handrail Assembly
UF-010	TWT,TET, PCT,PST,PET	0K65-01167-0002	Left Outer Handrail Cover

## Bridge Cover and Activity Zone

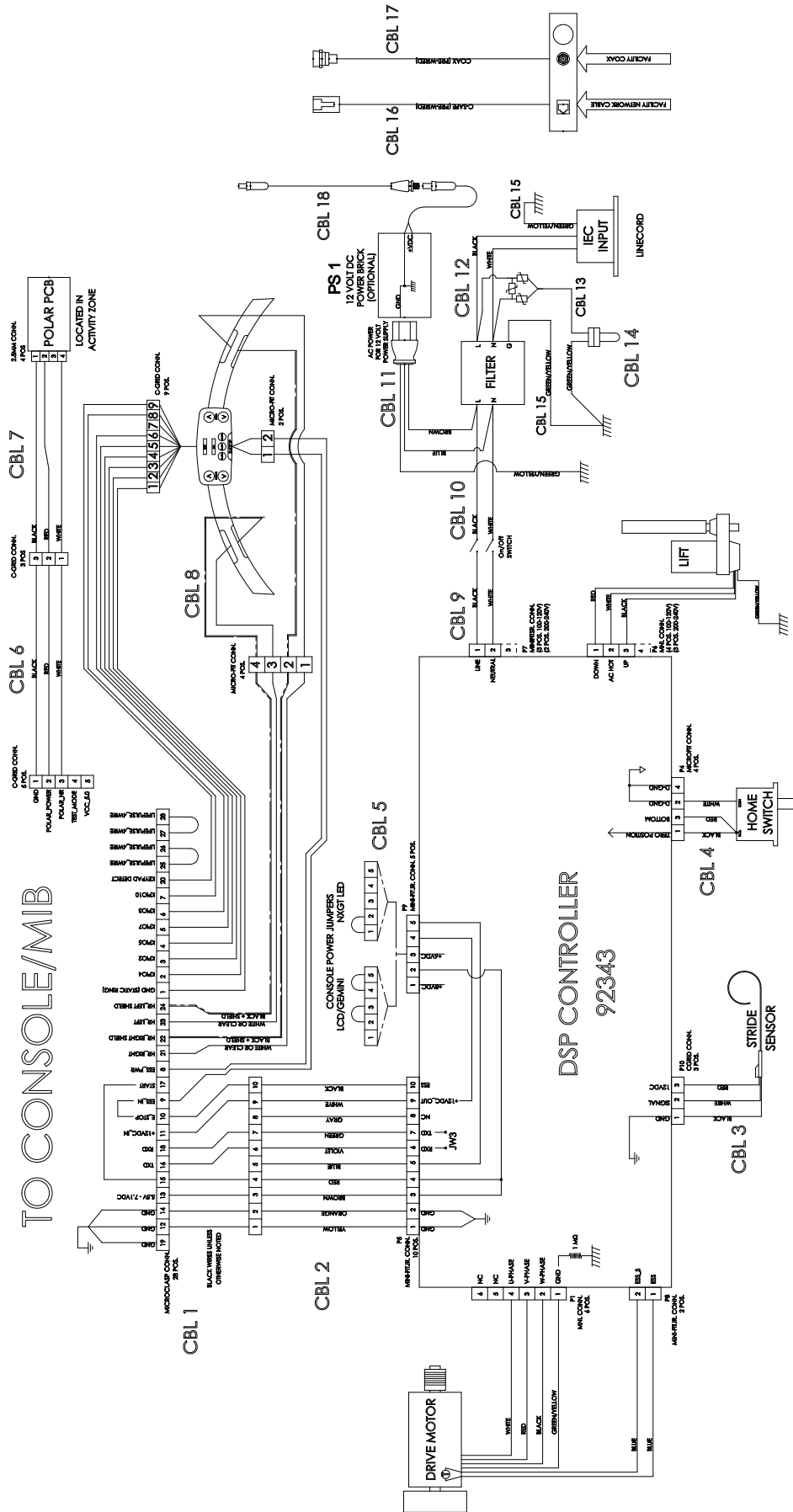


## Part Numbers

Item	Alpha Code(s)	Part Number	Description
UF-011	TWT,TET, PCT,PST,PET	0K65-01051-0000	Top Bridge Cover
UF-012	TWT,TET, PCT,PST,PET	0K65-01174-0002	Cup Holders Left
UF-013	TWT,TET, PCT,PST,PET	0K65-01174-0001	Cup Holders Right
UF-014	TWT,TET, PCT,PST,PET	0017-00101-1954	Mounting Screws (2)
UF-015	TWT,TET, PCT,PST,PET	AK65-00015-0000	Activity Zone Assembly
"	TWT,TET, PCT,PST,PET	AK65-00015-0001	Activity Zone Assembly - IFI
UF-016	TWT,TET, PCT,PST,PET	AK65-00037-0002	Stop Switch and Tether Assembly
"	TWT,TET, PCT,PST,PET	AK65-00037-0001	Stop Switch and Tether Assembly - IFI
UF-017	TWT,TET, PCT,PST,PET	0K65-01052-0000	Bottom Bridge Cover
UF-018	TWT,TET, PCT,PST,PET	0K65-01053-0000	Bezel Access Door
UF-019	TWT,TET, PCT,PST,PET	0K65-01208-0000	Bridge Access Door
UF-020	TWT,TET, PCT,PST,PET	0017-00101-1953	Bridge Cover Mounting Screws (10)

# Electric Wiring Diagrams

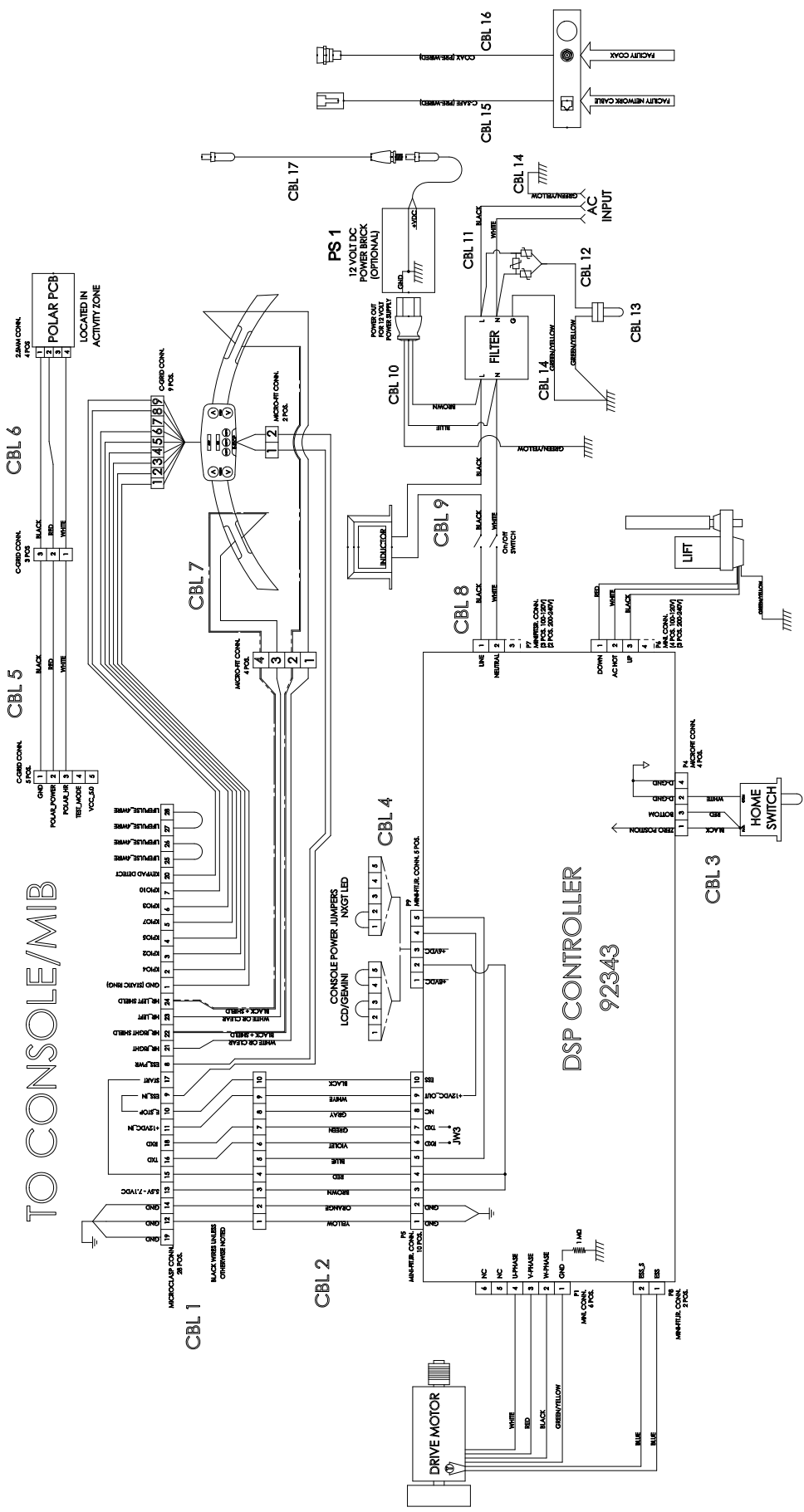
PCST-DOMHX-01, 02 | PCST-DOMLX-01 | PCST-INTHX-01 | PCST-DOMHX-03



## Parts List

Item	Alpha Code	Part Number	Description
CBL 1	TWT,TET,PCT,PST,PET	AK65-00043-0001	Cable Assy: Activity zone to MIB, W/ Ferrite
CBL 2	TWT,TET,PCT,PST,PET	AK58-00034-0001	Cable Assy: Console Power
CBL 3	TWT,TET,PCT	AK58-00560-0000	Stride-Sensor Assembly
CBL 4	TWT,TET,PCT,PST,PET	AK65-00074-0000	Cable Assy: Home Switch
CBL 5	LED Consloe	AK58-00522-0000	Cable Assy: Jumper; Power; LED Console
CBL 5*	LCD Consloe	AK58-00523-0000	Cable Assy: Jumper; Power; LCD Console
CBL 6	Uncoded Polar	AK70-00037-0000	Cable Assy: Uncoded Polar
CBL 7	Coded Polar	AK65-00117-0000	Cable Assy: Coded Polar to Tread MIB Extension
CBL 8	TWT,TET,PCT,PST,PET	AK65-00047-0000	Cable Assy: Lifepulse Ergobar
CBL 9	TWT,TET,PCT,PST,PET	AK65-00073-0000	Cable Assy: Power 120V DSP
CBL 9*	TWT,TET,PCT,PST,PET	AK65-00073-0001	Cable Assy: Power 230V DSP
CBL 10	TWT,TET,PCT,PST,PET	AK65-00095-0001	Cable Assy: Filter to Switch
CBL 11	TWT,TET,PCT,PST,PET	AK65-00081-0000	Cable Assy: AC Power for TV Brick
CBL 12	TWT,TET,PCT,PST,PET	AK65-00094-0000	Cable Assy: IEC to Filter
CBL 13	TWT,TET,PCT,PST,PET	AK58-00224-0001	Cable Assy: MOV; Fliter
CBL 14	TWT,TET,PCT,PST,PET	AK58-00263-0000	Cable Assy: Hi-Pot Jumper
CBL 15	TWT,TET,PCT,PST,PET	AK26-00348-0000	Cable Assy: Jumper; Ground
CBL 16	TWT,TET,PCT,PST,PET	AK65-00051-0001	Cable Assy: MIB CSAFE; 65 IN
CBL 17	TWT,TET,PCT,PST,PET	AK65-00062-0000	Cable Assy: Coax RG6, Base
CBL 18	TWT,TET,PCT,PST,PET	AK32-00160-0000	Cable Assy: Pwr-Ext w/Ferrite
PS 1	TWT,TET,PCT,PST,PET	AK71-00020-0003	Power Supply (6.25A) w/Line Cord 120VAC

TO CONSOLE/MIB



## Parts List

Item	Alpha Code	Part Number	Description
CBL 1	PST,PET	AK65-00043-0001	Cable Assy: Activity Zone to MIB, W/Ferrite
CBL 2	PST,PET	AK58-00034-0001	Cable Assy: Console Power
CBL 3	PST,PET	AK65-00074-0000	Cable Assy: Home Switch
CBL 4	LED Console	AK58-00522-0000	Cable Assy: Jumper; Power; LED Console
CBL 4*	LCD Console	AK58-00523-0000	Cable Assy: Jumper; Power; LCD Console
CBL 5	Uncoded Polar	AK70-00037-0000	Cable Assy: Uncoded Polar
CBL 6	Coded Polar	AK65-00117-0000	Cable Assy: Coded Polar to Tread MIB Extension
CBL 7	PST,PET	AK65-00047-0000	Cable Assy: Lifepulse Ergobar
CBL 8	PST,PET	AK65-00073-0000	Cable Assy: Power 120V DSP
CBL 8*	PST,PET	AK65-00073-0001	Cable Assy: Power 230V DSP
CBL 9	PST, PET	AK65-00115-0000	Cable Assy: 120 V Filter/Inductor/ Switch 37.0"
CBL 9*	PST, PET	AK65-00116-0000	Cable Assy: 230 V Filter/Inductor/ Switch 37.0"
CBL10	PST,PET	AK65-00081-0000	Cable Assy: AC Power for TV Brick
CBL 11	PST,PET	AK65-00094-0000	Cable Assy: IEC to Filter 230 V
CBL 11*	PST,PET	AK65-00094-0001	Cable Assy: AC-in to Filter 120 V
CBL 12	PST,PET	AK58-00224-0001	Cable Assy: MOV; Fliter
CBL 13	PST,PET	AK58-00263-0000	Cable Assy: Hi-Pot Jumper
CBL 14	PST,PET	AK26-00348-0000	Cable Assy: Jumper; Ground
CBL 15	PST,PET	AK65-00051-0001	Cable Assy: MIB CSAFE; 65 IN
CBL 16	PST,PET	AK65-00062-0000	Cable Assy: Coax RG6, Base
CBL 17	PST,PET	AK32-00160-0000	Cable Assy: Pwr-Ext w/Ferrite
PS 1	PST,PET	AK71-00020-0003	Power Supply (6.25A) w/Line Cord 120VAC