

Elevation Series Treadmills

Item Numbers: 95T-DOMHX-xx, 95T-DOMLHX-xx, 95T-INTHX-xx, PCST-DOMXX-xx
Alpha Codes: TWT,TET, PCT,PST,PET

Parts Manual

24.06.11



Table of Contents

Miscellaneous	3
Miscellaneous Part Numbers	3
Drive Motor	4
Drive Motor Assembly	4
Idler Assembly and Drive Belt	6
Motor Pan Brackets	8
Base Frame Electronics	10
DSP Motor Controller	10
On-off Switch, Home Switch, and Line Filter	11
Lift System	12
Lift Frame and Wheels	12
Lift Motor and Hardware	13
Console Assembly	14
Console Bracket and Covers	14
Consoles	15
Heart Rate System	16
Ergo Bar Components	16
Stride (Walking) System	17
Leg Leveler Assembly	17
Deck Springs, Stride Sensor and Roller Guards	18
Belt, Deck and Rollers	19
Lower Frame	21
Uprights and Covers	21
Anti-slip Pad and Extrusions	22
Rear End Caps	23
Motor Pan Covers	24

Upper Frame	25
Handrail and Covers	25
Bridge Cover and Activity Zone	27
Electric Wiring Diagrams	29

Miscellaneous

Miscellaneous Part Numbers

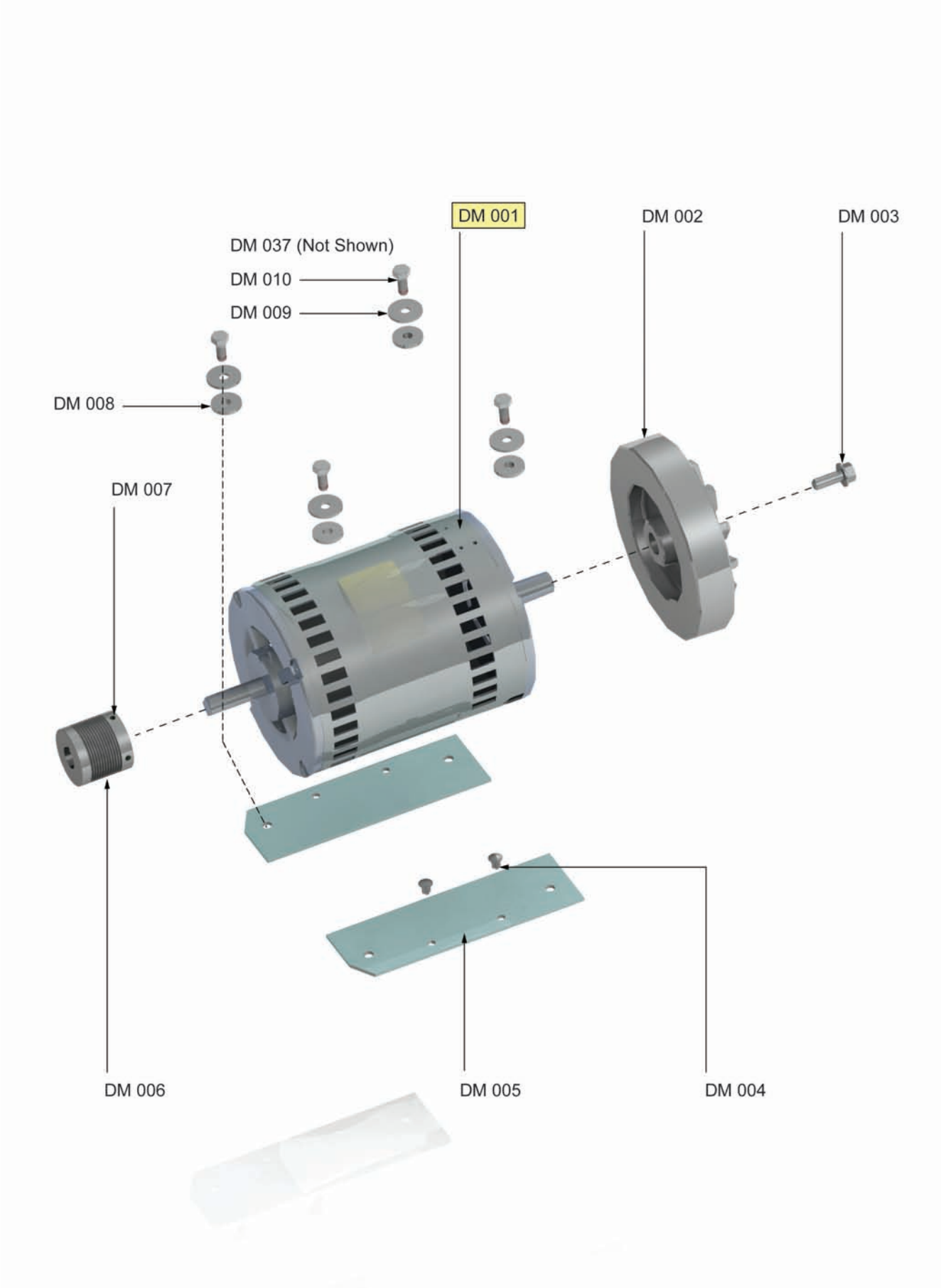
Item	Alpha Code(s)	Part Number	Description
MISC-001	TWT,TET, PCT,PST,PET	M051-00K65-A001	Operation Manual
MISC-002	TWT,TET, PCT,PST,PET	AK65-00120-0002	Hardware Bag
MISC-002*	TWT,TET, PCT,PST,PET	AK65-00025-0000	Hardware Bag
MISC-003	TWT,TET, PCT,PST,PET	0017-00021-2740	CSAFE Splitter
MISC-003*	TWT,TET, PCT,PST,PET	0017-00101-1769	Screw – 8-18x12 (2)
MISC-003*	TWT,TET, PCT,PST,PET	0017-00101-1902	Screw – M6x1.00-6G6Gx20 (7)
MISC-003*	TWT,TET, PCT,PST,PET	0017-00101-1954	Screw – M6x1.00-6G6Gx35 (6)
MISC-003*	TWT,TET, PCT,PST,PET	0017-00101-1984	Screw – M12x1.75-6G6Gx30 (16)
MISC-004	TWT,TET, PCT,PST,PET	0017-00101-1953	Screw – M6x1.00-6G6Gx14 (68)
MISC-005	TWT,TET, PCT,PST,PET	0017-00101-1776	Screw – 10-16X8 (8)
MISC-006	TWT,TET, PCT,PST,PET	0017-00101-1995	Screw – M3x.8-6G6Gx10 (4)
MISC-007	TWT,TET, PCT,PST,PET	0017-00104-0488	Washer – M006.50 (19)
MISC-008	TWT,TET, PCT,PST,PET	0017-00104-0489	Washer – M012.70 (16)
MISC-009	TWT,TET, PCT,PST,PET	0017-00008-0204	Touch up Paint: Spray Can
MISC-010	TWT,TET, PCT,PST,PET	0017-00008-0205	Touch up Paint: 0.5 Oz Bottle W/ Applicator
MISC-011	TWT,TET, PCT,PST,PET	0017-00008-0206	Touch up Paint: 0.33 Oz Pen
MISC-012	TWT,TET, PCT,PST,PET	0017-00003-0980	Line Cord: Domestic Low Voltage
MISC-013	TWT,TET, PCT,PST,PET	0017-00003-0781	Line Cord: Domestic High Voltage
MISC-014	TWT,TET, PCT,PST,PET	0017-00003-0696	Line Cord: International High Voltage (Cont.)
MISC-015	TWT,TET, PCT,PST,PET	0017-00003-0890	UK
MISC-016	TWT,TET, PCT,PST,PET	0017-00003-0996	Australia*
MISC-017	TWT,TET, PCT,PST,PET	0017-00003-1014	China*
MISC-018	TWT,TET, PCT,PST,PET	0K65-01131-0000	Line cord Bracket
MISC-018*	TET,PET	0K65-01297-0000	Line cord Bracket
MISC-019	TWT,TET, PCT,PST,PET	0017-00101-1968	Screw – M4x.07-6G6Gx10 (INT only)



Throughout this document, Assemblies are displayed inside a Rectangle.

Drive Motor

Drive Motor Assembly

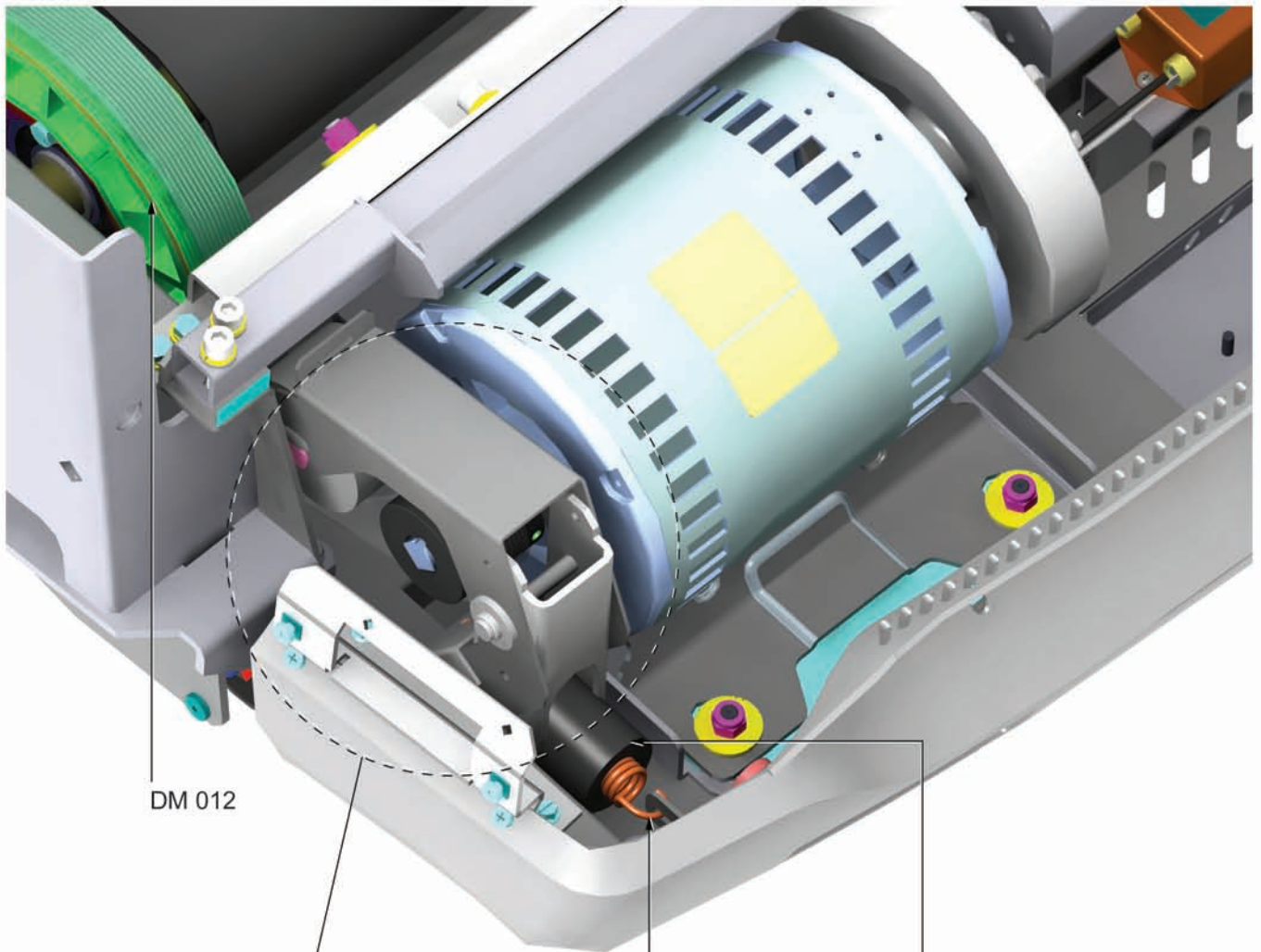


Part Numbers

Item	Alpha Code(s)	Part Number	Description
DM-001	TWT,TET, PCT,PST,PET	AK58-00171-0002	Driver Motor
DM-002	TWT,TET, PCT,PST,PET	0K65-01221-0000	Flywheel with Fan
DM-003	TWT,TET, PCT,PST,PET	0017-00101-1885	Hex Bolt
DM-004	TET,PET	0017-00042-1212	Clips (4)
DM-005	TWT,TET, PCT,PST,PET	0K58-01256-0001	Insulating Pad
DM-006	TWT,TET, PCT,PST,PET	0K58-01057-0001	Drive Pulley
DM-007	TWT,TET, PCT,PST,PET	0017-00101-0333	Set Screws
DM-008	TWT,TET, PCT,PST,PET	0K58-01255-0000	Insulating Washers (4)
DM-009	TWT,TET, PCT,PST,PET	0017-00104-0409	Washer (4)
DM-010	TET,PET	0017-00101-1945	Hex Bolt (4)
DM-037	TWT,PCT,PST	0017-00103-0333	Lock Nut (4)

Idler Assembly and Drive Belt

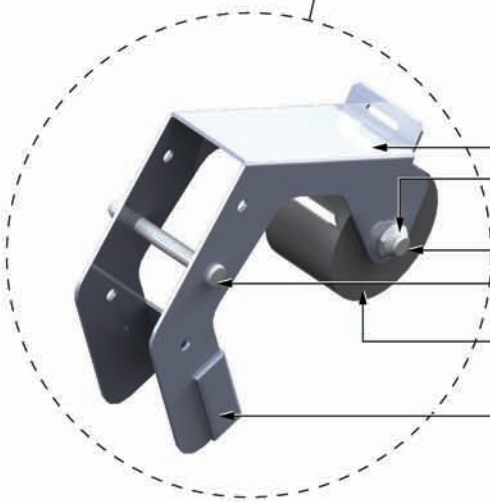
DM 011



DM 012

DM 014

DM 013



DM 015

DM 016

DM 017

DM 018

DM 019

DM 020 (Not Shown)

Part Numbers

Item	Alpha Code(s)	Part Number	Description
DM-011	TWT,TET, PCT,PST,PET	AK65-00029-0000	Idler Assembly
DM-012	TWT,TET, PCT,PST,PET	0K58-01114-0000	Poly-V Drive Belt
DM-013	TWT,TET, PCT,PST,PET	0K26-02055-0000	Spring Damper
DM-014	TWT,TET, PCT,PST,PET	0K58-01085-0000	Extension Spring
DM-015	TWT,TET, PCT,PST,PET	0K65-01113-0000	Idler Bracket
DM-016	TWT,TET, PCT,PST,PET	0017-00103-0324	Nut
DM-017	TWT,TET, PCT,PST,PET	0K58-01084-0002	Threaded Shaft
DM-018	TWT,TET, PCT,PST,PET	0017-00007-0248	Locking Pin
DM-019	TWT,TET, PCT,PST,PET	0K26-01731-0000	Plastic Idler
DM-020	TWT,TET, PCT,PST,PET	0017-00103-0333	Mounting Screw (4)

Motor Pan Brackets

DM 021

DM 022

DM 023

DM 024

DM 025

DM 026

(Not Shown)

DM 027

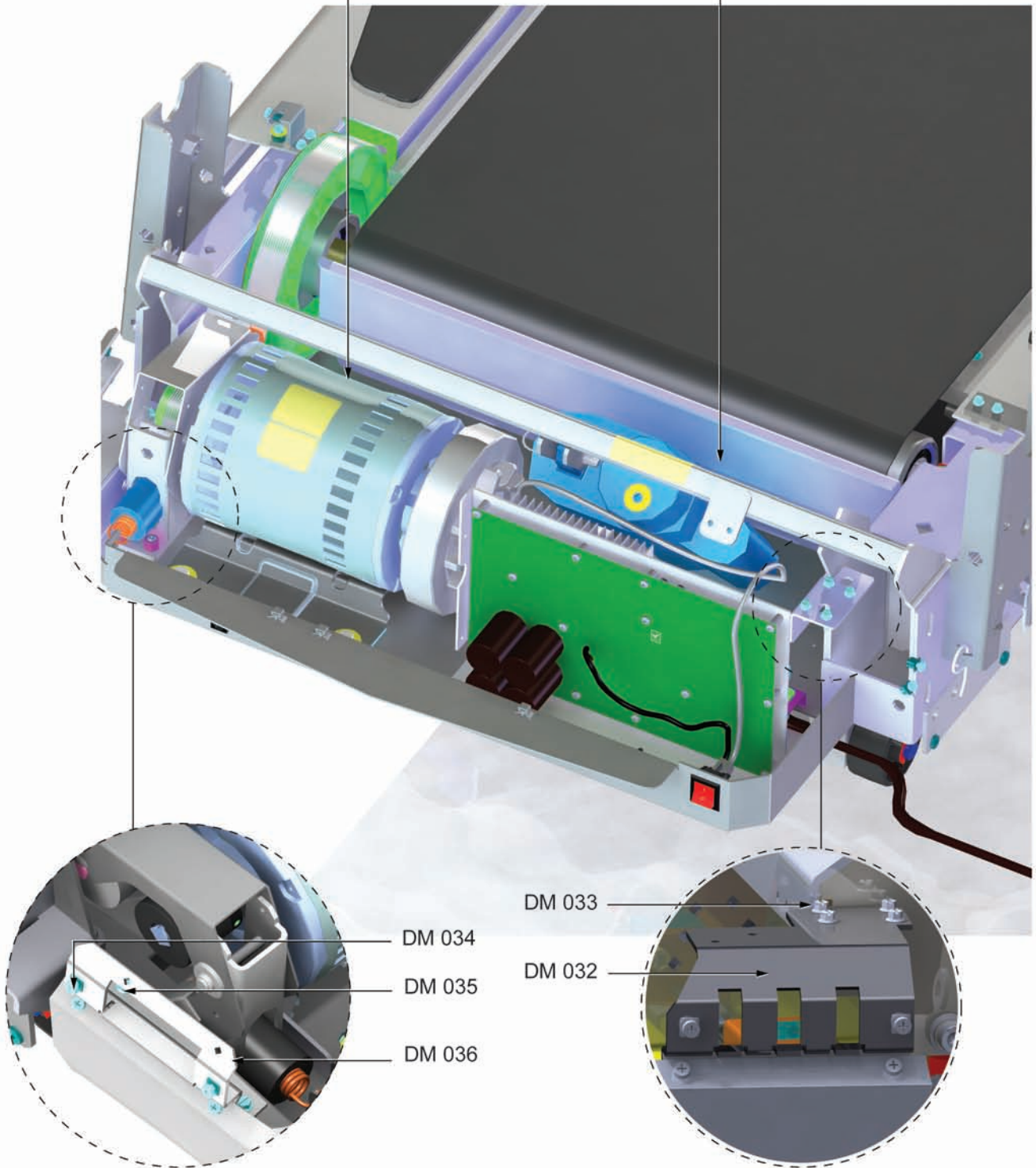
DM 028

DM 029

DM 030

DM 031

(Not Shown)

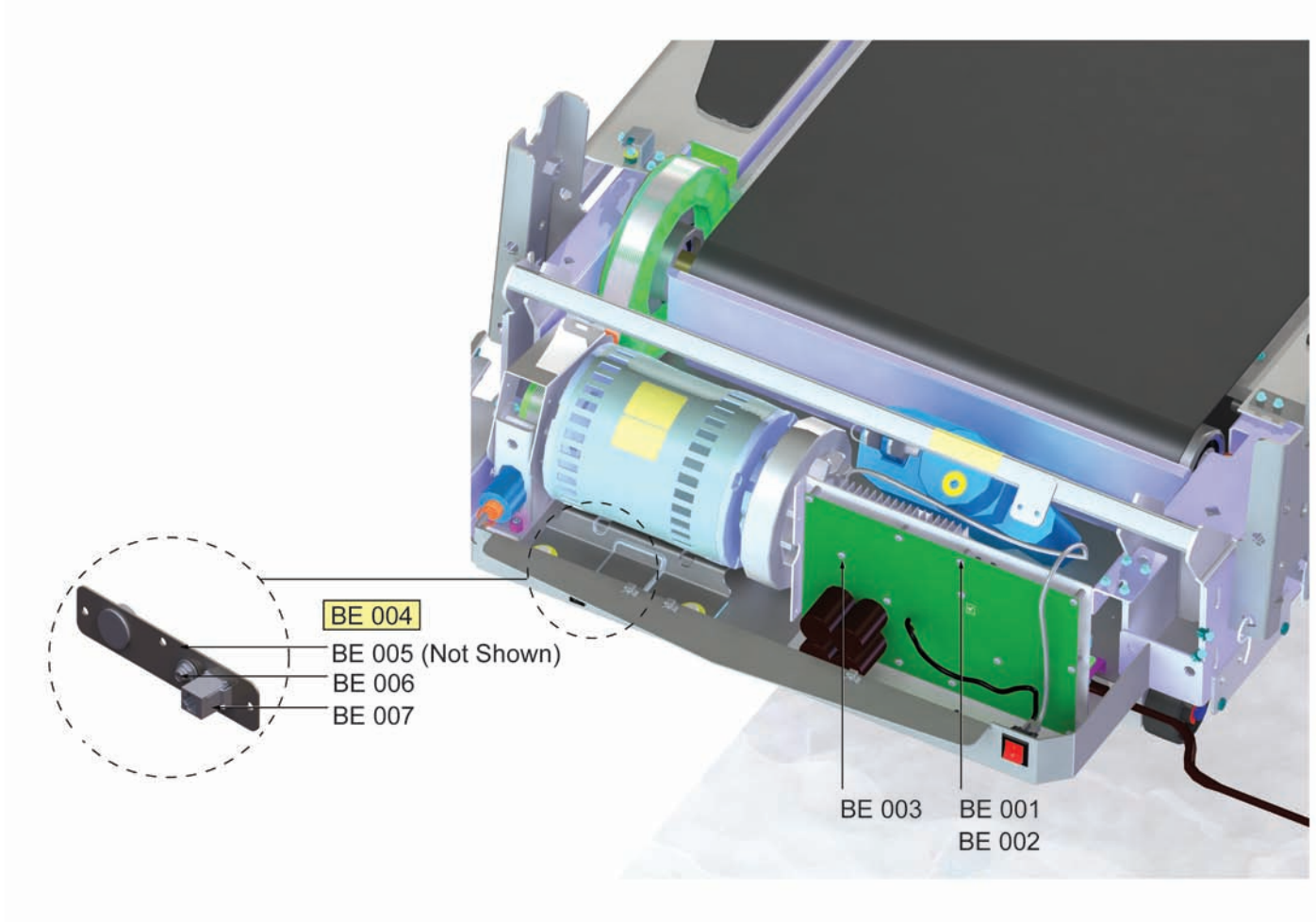


Part Numbers

Item	Alpha Code(s)	Part Number	Description
DM-021	TWT,PCT,PST	AK65-00088-0000	Actuator and Frame Tie Weldment
DM-022	TWT,PCT,PST	0017-00104-0334	Flat Washers (5)
DM-023	TWT,PCT,PST	0017-00101-1983	Mounting Bolts(5)
DM-024	TWT,PCT,PST	0017-00104-0064	Lock Washers (5)
DM-025	TWT,PCT,PST	0017-00101-1982	Mounting Bolts(2)
DM-026	TWT,PCT,PST	0017-00104-0492	Flat Washers (2)
DM-027	TWT,PCT,PST	0K65-01187-0000	Bar Tei
DM-028	TWT,PCT,PST	0017-00101-1959	Bolt Tie Mounting Hardware Bolts
DM-029	TWT,PCT,PST	0017-00103-0333	Nut(4)
DM-030	TWT,PCT,PST	0017-00104-0333	Washer (4)
DM-031	TWT,PCT,PST	0017-00104-0263	Washer (4)
DM-032	TWT,PCT,PST	0K65-01134-0002	Left Front Motor Cover Bracket
DM-033	TWT,TET, PCT,PST,PET	0017-00101-1961	Mounting Screws (4)
DM-034	TWT,TET, PCT,PST,PET	0K65-01134-0001	Motor Cover Bracket
DM-035	TWT,TET, PCT,PST,PET	0017-00101-1961	Mounting Screws (3)
DM-036	TWT,TET, PCT,PET,PST	0017-00042-1147	Nylon Screw Grommet

Base Frame Electronics

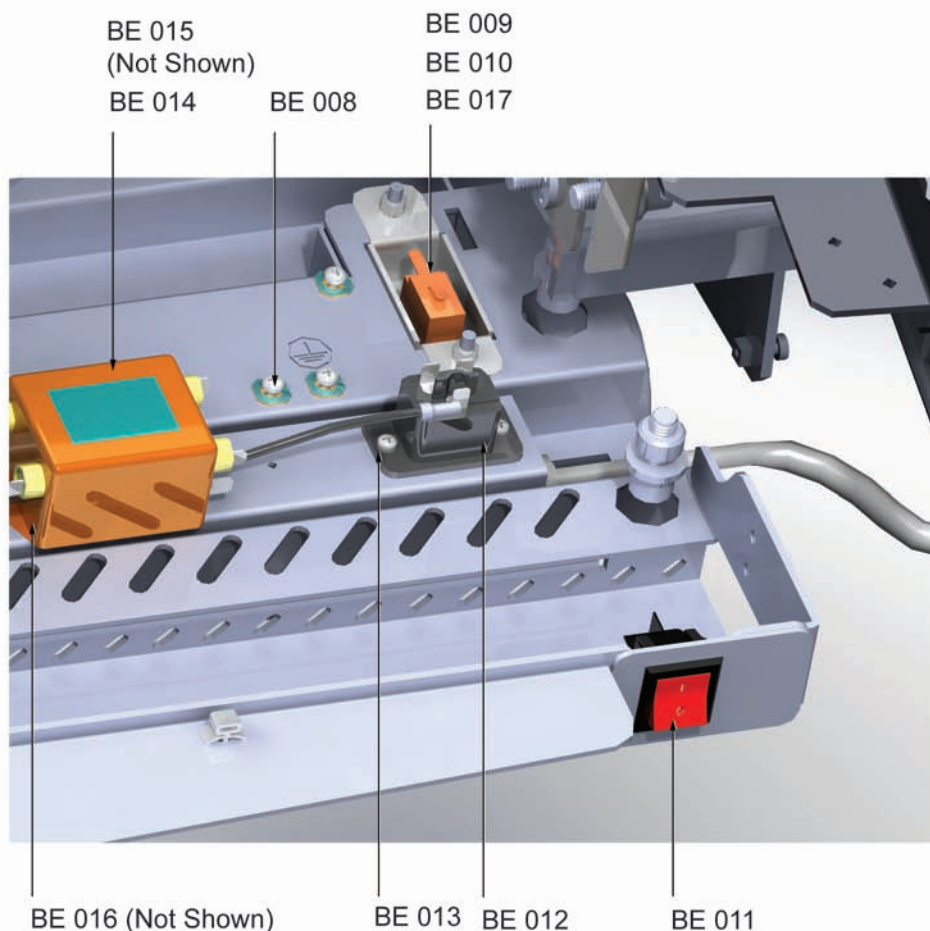
DSP Motor Controller



Part Numbers

Item	Alpha Code(s)	Part Number	Description
BE-001	TWT,PCT,PST,PET	GK65-00002-0005	DSP Motor Controller with Cable (100-120V)
BE-002	TWT,PCT,PST	GK65-00002-0006	DSP Motor Controller with Cable (200-240V)
BE-003	TWT,TET, PCT,PST,PET	0017-00103-0350	Hex Nut (3)
BE-004	TWT,TET, PCT,PST,PET	AK65-00082-0000	Comm Port Plate Assembly
BE-005	TWT,TET, PCT,PST,PET	0017-00021-2810	F-Type Right Angle Adaptor
BE-006	TWT,TET, PCT,PST,PET	0017-00021-2846	F-Type Panel Connector
BE-007	TWT,TET, PCT,PST,PET	0017-00021-2847	Phone Jack Panel Receptacle

On-off Switch, Home Switch, and Line Filter

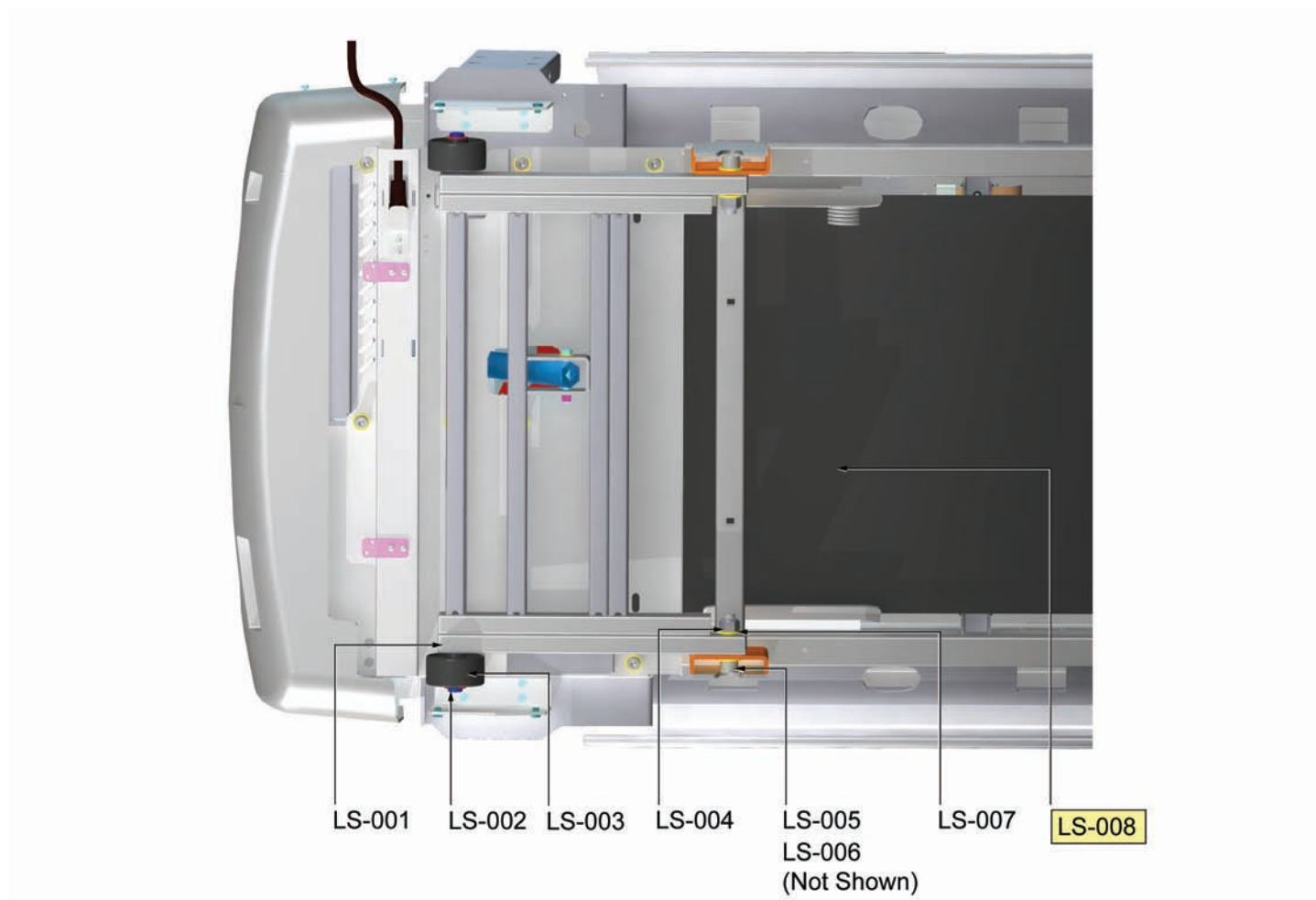


Part Numbers

Item	Alpha Code(s)	Part Number	Description
BE-008	TWT,TET, PCT,PST,PET	0017-00101-1968	Ground Screws
BE-008*	TET,PET	0017-00101-0883	Ground Screws (3)
BE-009	TWT,TET, PCT,PST,PET	0017-00032-0195	Home Switch
BE-010	TWT,PCT,PST	0017-00103-0350	Mounting Nuts
BE-011	TWT,TET, PCT,PST,PET	0017-00032-0198	On/Off Switch
BE-012	TWT,TET, PCT,PST,PET	0017-00003-0949	IEC Receptacle
BE-013	TWT,TET, PCT,PST,PET	0017-00101-1969	IEC Receptacle Mounting Screw
BE-014	TWT,TET, PCT,PST,PET	0017-00003-1015	20 amp Line Filter (DOM)
BE-015	TWT,TET, PCT,PST,PET	0017-00003-0898	10 amp Line Filter (INT)
BE-016	TWT,TET, PCT,PST,PET	0017-00101-1968	Line Filter Mounting Screws (2)
BE-017	TWT,PCT,PST	0K65-01088-0001	Home Switch Bracket

Lift System

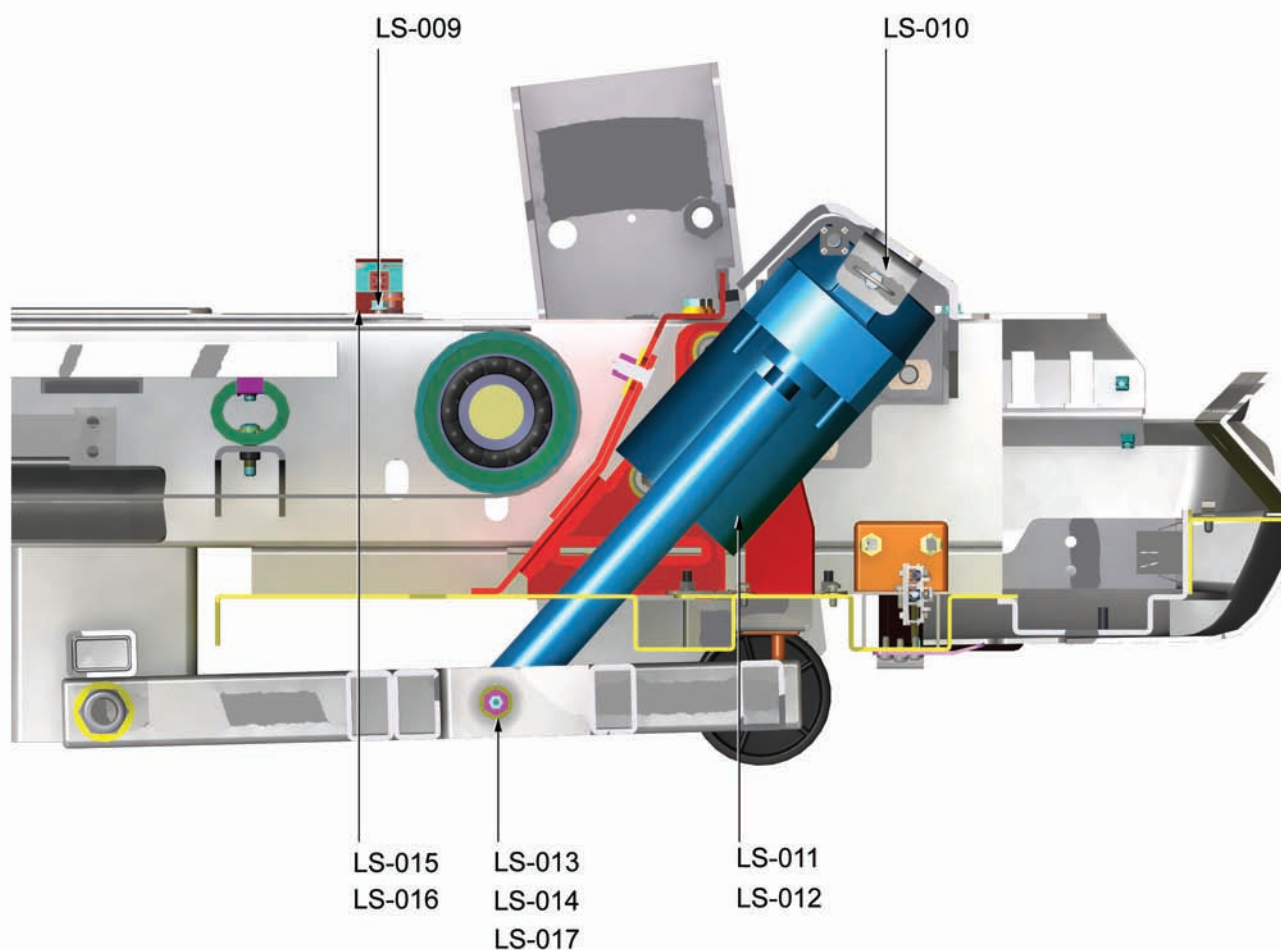
Lift Frame and Wheels



Part Numbers

Item	Alpha Code(s)	Part Number	Description
LS-001	TWT,PCT,PST	0K60-01092-0000	Tube End Caps
LS-001*	TET,PET	7352202	Tube End Caps (2)
LS-002	TWT,TET, PCT,PST,PET	0017-00100-0249	Snap Rings
LS-003	TWT,TET, PCT,PST,PET	0K65-01245-0000	Lift Wheels (2)
LS-004	TWT,PCT,PST	0017-00103-0349	Lift Frame Mounting Nuts (2)
LS-004*	TET,PET	0017-00103-0285	Lift Frame Mounting Nuts (2)
LS-005	TWT,PCT,PST	0017-00101-1964	Lift Frame Mounting Bolt (2)
LS-005*	TET,PET	0017-00101-1777	Lift Frame Mounting Bolt (2)
LS-006	TWT,PCT,PST	0K65-01242-0000	Sleeve Bushings (2)
LS-006*	TET,PET	0K58-01089-0000	Sleeve Bushings (2)
LS-007	TWT,TET, PCT,PST,PET	0017-00104-0259	Washer (4)
LS-008	TWT,PCT,PST	AK65-00089-0001	Painted Lift Frame Weldment
LS-008*	TET,PET	AK65-00137-0000	Painted Lift Frame Weldment

Lift Motor and Hardware

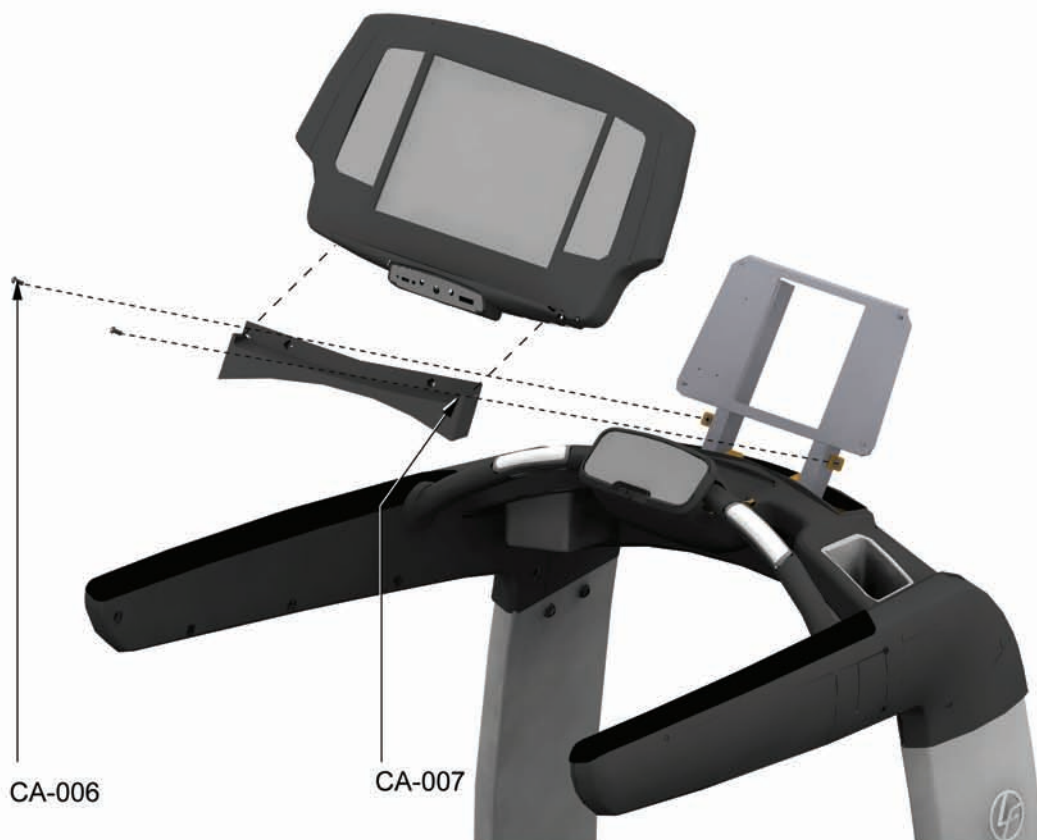


Part Numbers

Item	Alpha Code(s)	Part Number	Description
LS-009	TWT,TET, PCT,PST,PET	0017-00042-1147	Nylon Screw Cover Brackets
LS-010	TWT,TET, PCT,PST,PET	0017-00007-0275	Ring Grip Pin
LS-011	TWT,TET, PCT,PST,PET	0K65-01192-0001	Lift Actuators 115V
LS-012	TWT,TET, PCT,PST,PET	GK65-00002-0009	Lift Actuators 230V
LS-013	TWT,TET, PCT,PST,PET	0017-00101-2038	Bolt
LS-014	TWT,TET, PCT,PST,PET	0017-00103-0027	Nut
LS-015	TWT,TET, PCT,PST,PET	0K65-01135-0001	Rear Motor Cover Bracket Right
LS-016	TWT,TET, PCT,PST,PET	0K65-01135-0002	Rear Motor Cover Bracket Left
LS-017	TWT,TET, PCT,PST,PET	0017-00104-0043	Washer (2)

Console Assembly

Console Bracket and Covers



Part Numbers

Item	Alpha Code(s)	Part Number	Description
CA-001	TWT,TET, PCT,PST,PET	AK65-00130-0000	Console Bridge Weldment/AVK
CA-002	TWT,TET, PCT,PST,PET	0017-00101-1995	Console Mounting Screws (4)
CA-003	TWT,TET, PCT,PST,PET	0K65-01189-0000	LCD Access Cover
CA-004	TWT,TET, PCT,PST,PET	AK65-00090-0000	Rear Console Cover w/Decal
CA-005	TWT,TET, PCT,PST,PET	0017-00101-1953	Rear Console Cover Screw (2)
CA-006	TWT,TET, PCT,PST,PET	0017-00101-1953	Neck Spacer Screws
CA-007	TWT,TET, PCT,PST,PET	0K65-01188-0000	Console Neck Spacer

Consoles



CN-008, CN-009



CN-010, CN-011,



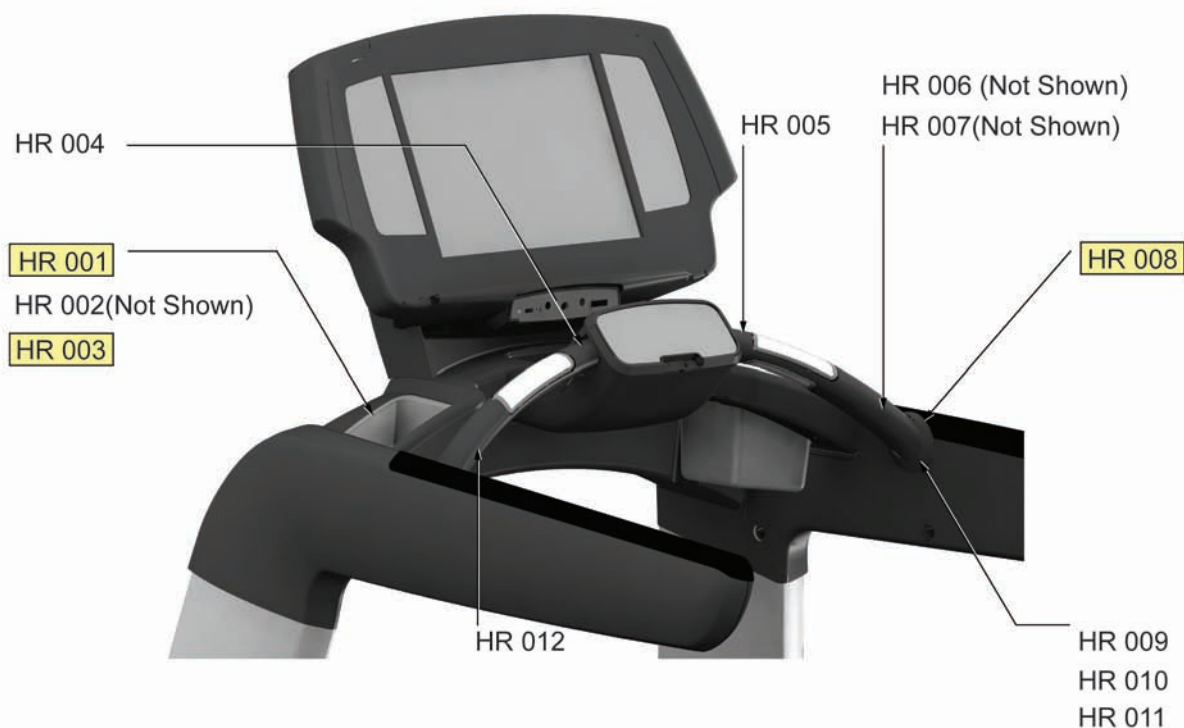
CN-012, CN-013,
CN-014,

Part Numbers

Item	Alpha Code(s)	Part Number	Description
CA-008	TWT,TET, PCT,PST,PET	LEDT-DOMXX-01	LED Treadmill Console – English
CA-009	TWT,TET, PCT,PST,PET	LEDT-INTXX-01	LED Treadmill Console - International
CA-010	TWT,TET, PCT,PST,PET	07DT-DOMXX-01	7-Inch LCD Treadmill Console Dom
CA-011	TWT,TET, PCT,PST,PET	07DT-INTXX-01	7-Inch LCD Treadmill Console Int
CA-012	TWT,TET, PCT,PST,PET	15DT-DOMXN-01	15-Inch LCD Treadmill Console Dom NTSC
CA-013	TWT,TET, PCT,PST,PET	15DT-INTXN-01	15-Inch LCD Treadmill Console NTSC
CA-014	TWT,TET, PCT,PST,PET	15DT-INTXP-01	15-Inch LCD Treadmill Console PAL

Heart Rate System

Ergo Bar Components



Part Numbers

Item	Alpha Code(s)	Part Number	Description
HR-001	TWT,TET, PCT,PST,PET	GK65-00002-0002	HR Sensor Kit
HR-002	TWT,TET, PCT,PST,PET	0017-00101-1984	Bridge Weldment Mounting Screw
HR-003	TWT,TET, PCT,PST,PET	AK65-00129-0000	Bridge Weldment
HR-004	TWT,TET, PCT,PST,PET	0K65-01204-0002	Inner Ergo Bar Gasket (Left)
HR-005	TWT,TET, PCT,PST,PET	0K65-01204-0001	Inner Ergo Bar Gasket (Right)
HR-006	TWT,TET, PCT,PST,PET	0017-00101-1954	Mounting Screw (4)
HR-007	TWT,TET, PCT,PST,PET	0017-00104-0488	Flat Washers (4)
HR-008	TWT,TET, PCT,PST,PET	AK65-00014-0000	Ergo Bar Assembly
HR-009	TWT,TET, PCT,PST,PET	0K65-01203-0001	Outer Ergo Bar Gasket (Right)
HR-010	TWT,TET, PCT,PST,PET	0K65-01133-0001	Heart Rate Electrodes Gasket (Front)
HR-011	TWT,TET, PCT,PST,PET	0K65-01133-0002	Heart Rate Electrodes Gasket (Back)
HR-012	TWT,TET, PCT,PST,PET	0K65-01203-0002	Outer Ergo Bar Gasket (Left)

Stride (Walking) System

Leg Leveler Assembly

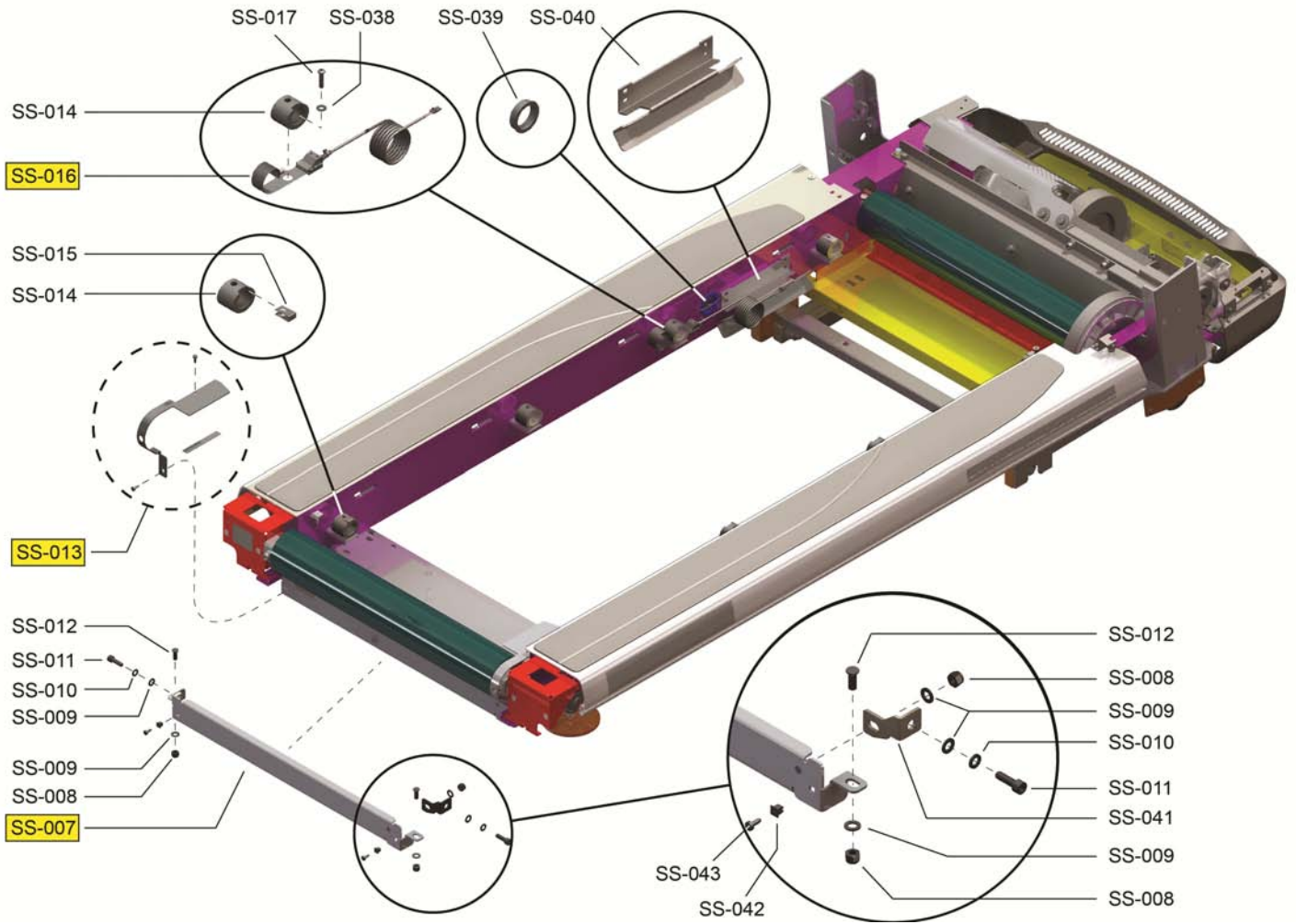
SS 001



Part Numbers

Item	Alpha Code(s)	Part Number	Description
SS-001	TWT,TET, PCT,PST,PET	AK65-00370-0000	Leg Leveler Assembly
SS-002	TWT,TET, PCT,PST,PET	0017-00103-0333	Hex Nuts (4)
SS-002*	TET,PET	0017-00101-1945	Bolt (4)
SS-003	TWT,TET, PCT,PST,PET	0K58-01083-0000	Leveler Bracket
SS-004	TWT,TET, PCT,PST,PET	0K58-01099-0000	Stop Nut
SS-005	TWT,TET, PCT,PST,PET	0K58-01110-0000	Leveler Foot
SS-006	TWT,TET, PCT,PST,PET	0K58-01098-0000	Pivot Pin
SS-037	TWT,TET, PCT,PST,PET	0017-00104-0469	Washer (4)

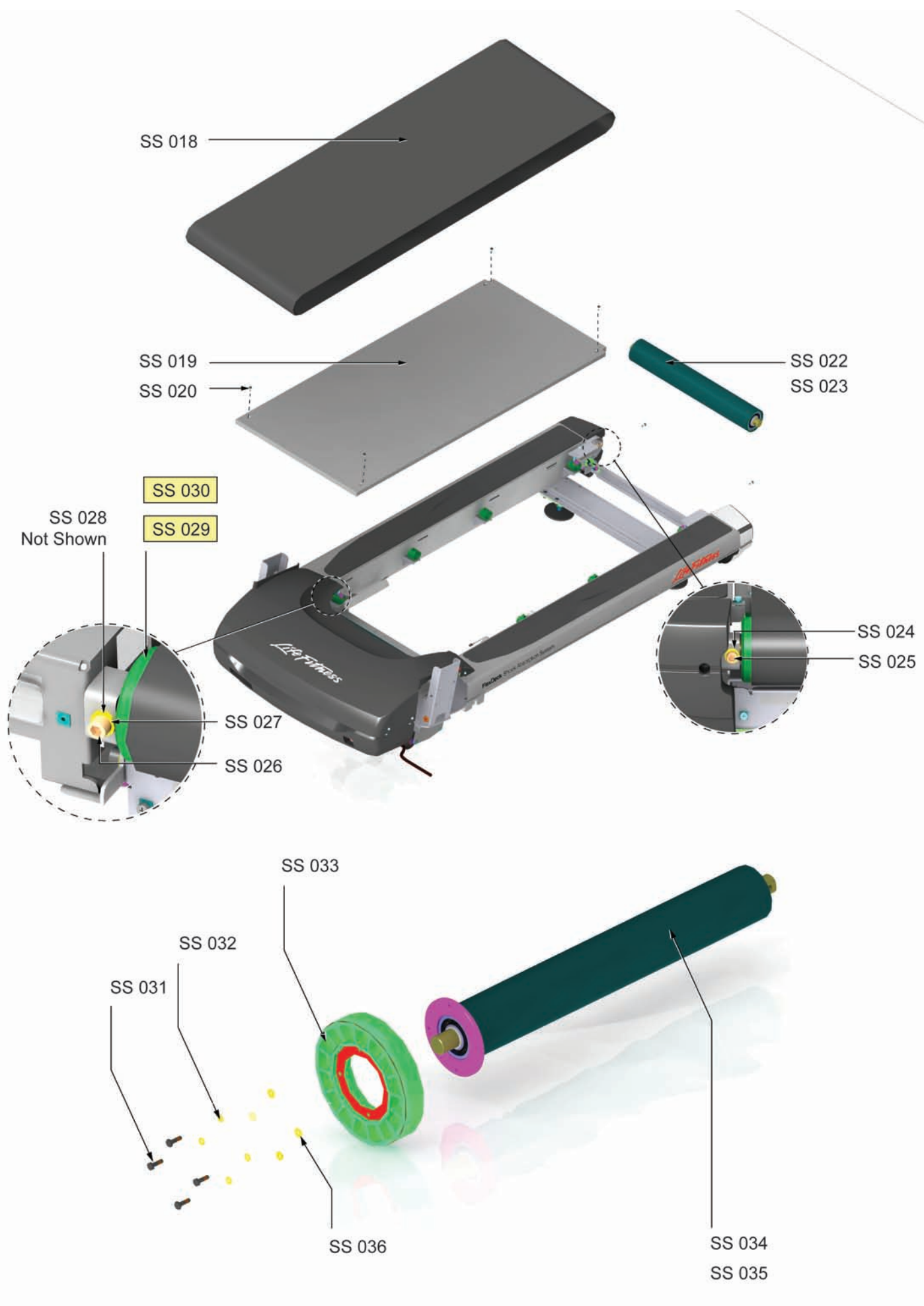
Deck Springs, Stride Sensor and Roller Guards



Part Numbers

Item	Alpha Code(s)	Part Number	Description
SS-007	TWT, PCT,PST	AK65-00080-0000	Toe Guard
SS-008	TWT,TET, PCT,PST,PET	0017-00103-0333	Nut (3)
SS-009	TWT,TET, PCT,PST,PET	0017-00104-0469	Washer (5)
SS-010	TWT, PCT,PST	0017-00104-0064	Lock Washer (2)
SS-011	TWT, PCT,PST	0017-00101-1967	Bolt (2)
SS-012	TWT, PCT,PST	0017-00009-1251	Screw (2)
SS-013	TWT, PCT,PST	GK65-00002-0001	Roller Guard Kit
SS-014	TWT,TET, PCT,PST,PET	0K40-01026-0002	Deck Spring (8)
SS-015	TWT, PCT,PST	0017-00103-0198	Tinnerman Clip (4)
SS-016	TWT,TET	AK58-00560-0000	Stride Sensor Assembly
SS-017	TWT,TET, PCT,PST,PET	0017-00101-1652	Spring Mounting Screw (8)
SS-038	TWT,TET, PCT,PST,PET	0017-00104-0072	Flat Washer (8)
SS-039	TWT,TET	0017-00042-1180	Snap Bushing
SS-040	TWT, PCT,PST	0K65-01191-0000	Walking Belt Barrier (2)
SS-041	TWT, PCT,PST	AK65-00079-0000	Toe Guard L-bracket
SS-042	TWT, PCT,PST	0017-00042-1147	Grommet (2)
SS-043	TWT, PCT,PST	0017-00101-1776	Screw (2)

Belt, Deck and Rollers

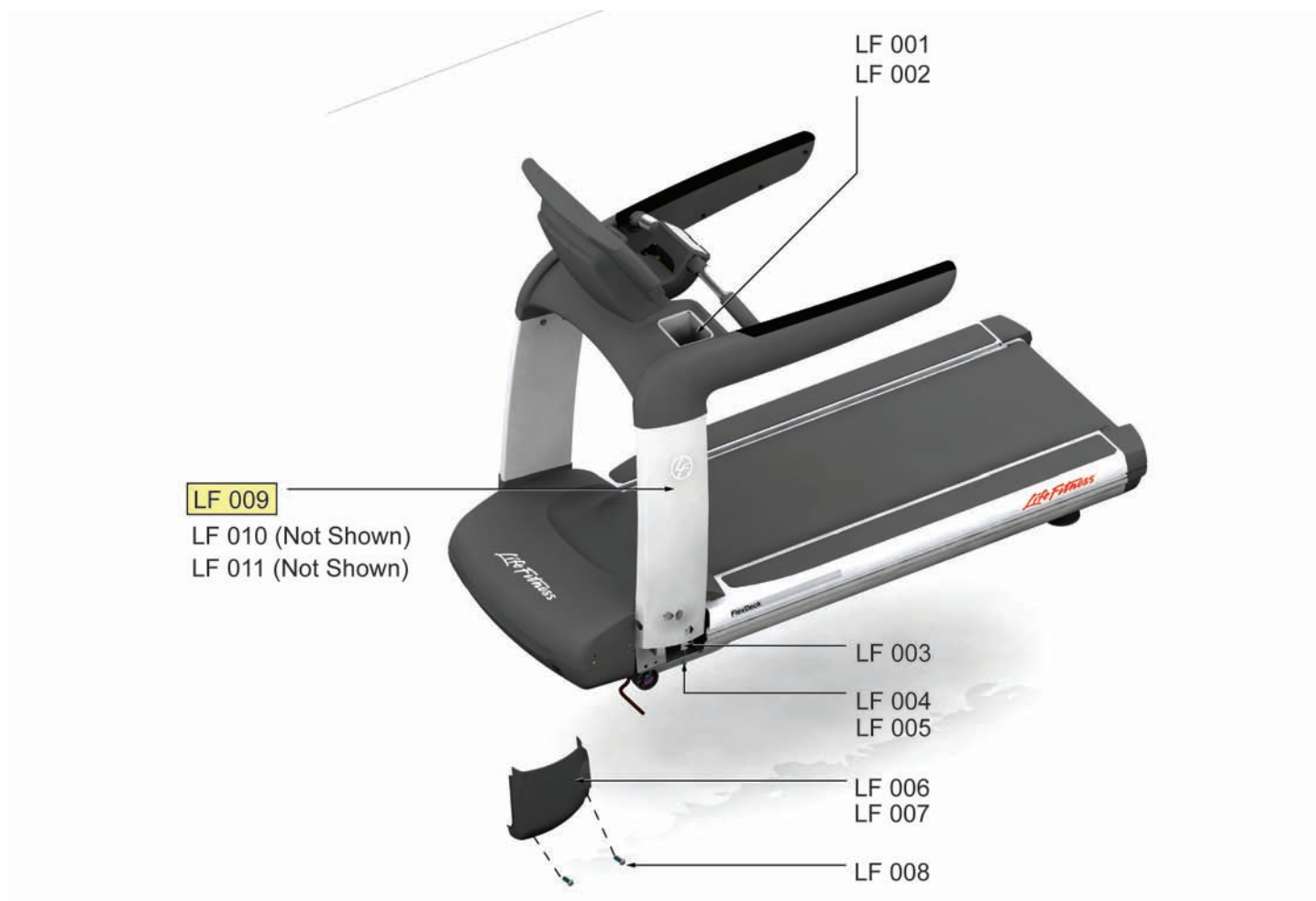


Part Numbers

Item	Alpha Code(s)	Part Number	Description
SS-018	TWT,TET	0K65-01002-0000	Striding Belt
SS-018*	TWT,TET	0K65-01267-0000	Striding Belt (IFI)
SS-018*	PCT,PST,PET	0K65-01272-0000	Striding Belt
SS-019	TWT,TET	0K65-01263-0000	Deck
SS-019*	PCT,PST,PET	0K65-01273-0000	Deck
SS-020	TWT,TET, PCT,PST,PET	0017-00101-1775	Deck Screws
SS-022	TWT,TET, PCT,PST,PET	0K65-01199-0000	Rear Roller Domestic
SS-023	TWT,TET, PCT,PST,PET	0K65-01199-0001	Rear Roller International
SS-024	TWT,TET, PCT,PST,PET	0017-00104-0492	Flat Washer (2)
SS-025	TWT,TET, PCT,PST,PET	0017-00101-1880	Rear Roller Tension Bolts
SS-026	TWT,TET, PCT,PST,PET	0017-00101-0974	Mounting Bolt
SS-027	TWT,TET, PCT,PST,PET	0017-00104-0043	Flat Washer
SS-028	TWT,TET, PCT,PST,PET	0017-00104-0006	Lock Washer
SS-029	TWT,TET, PCT,PST,PET	AK65-00067-0000	Front Roller Assembly Domestic
SS-030	TWT,TET,PET	AK65-00067-0001	Front Roller Assembly International
SS-031	TWT,TET, PCT,PST,PET	0017-00101-1632	Hex Bolt(4)
SS-032	TWT,TET, PCT,PST,PET	0017-00104-0330	Flat Washers (4)
SS-033	TWT,TET, PCT,PST,PET	0K58-01105-0000	Drive Pulley
SS-034	TWT,TET, PCT,PST,PET	0K65-01195-0000	Front Roller Domestic
SS-035	TWT,TET,PET	0K65-01195-0001	Front Roller International
SS-036	TET,PET	0017-00104-0005	Lock Washer (4)

Lower Frame

Uprights and Covers



Part Numbers

Item	Alpha Code(s)	Part Number	Description
LF-001	TWT,TET, PCT,PST,PET	0K65-01174-0001	Cup Holders Right
LF-002	TWT,TET, PCT,PST,PET	0K65-01174-0002	Cup Holders Left
LF-003	TWT,TET, PCT,PST,PET	0017-00042-0326	Plastic Grommets
LF-004	TWT,PCT,PST,	0K65-01176-0001	Upright Cover Support Bracket Right
LF-005	TWT,PCT,PST,	0K65-01176-0000	Upright Cover Support Bracket Left
LF-006	TWT,TET, PCT,PST,PET	0K65-01127-0001	Right Upright Cover
LF-007	TWT,TET, PCT,PST,PET	0K65-01127-0002	Left Upright Cover
LF-008	TWT,TET, PCT,PST,PET	0017-00101-1776	Upright Cover Mounting Screw (4)
LF-009	TWT,TET	GK65-00002-0010	Right or Left Upright Assembly
LF-009*	PCT,PST,PET	GK65-00002-0013	Right or Left Upright Assembly (PCST)
LF-010	TWT,TET, PCT,PST,PET	0017-00101-1984	Upright Mounting Bolts (6)
LF-011	TWT,TET, PCT,PST,PET	0017-00104-0489	Washer (6)

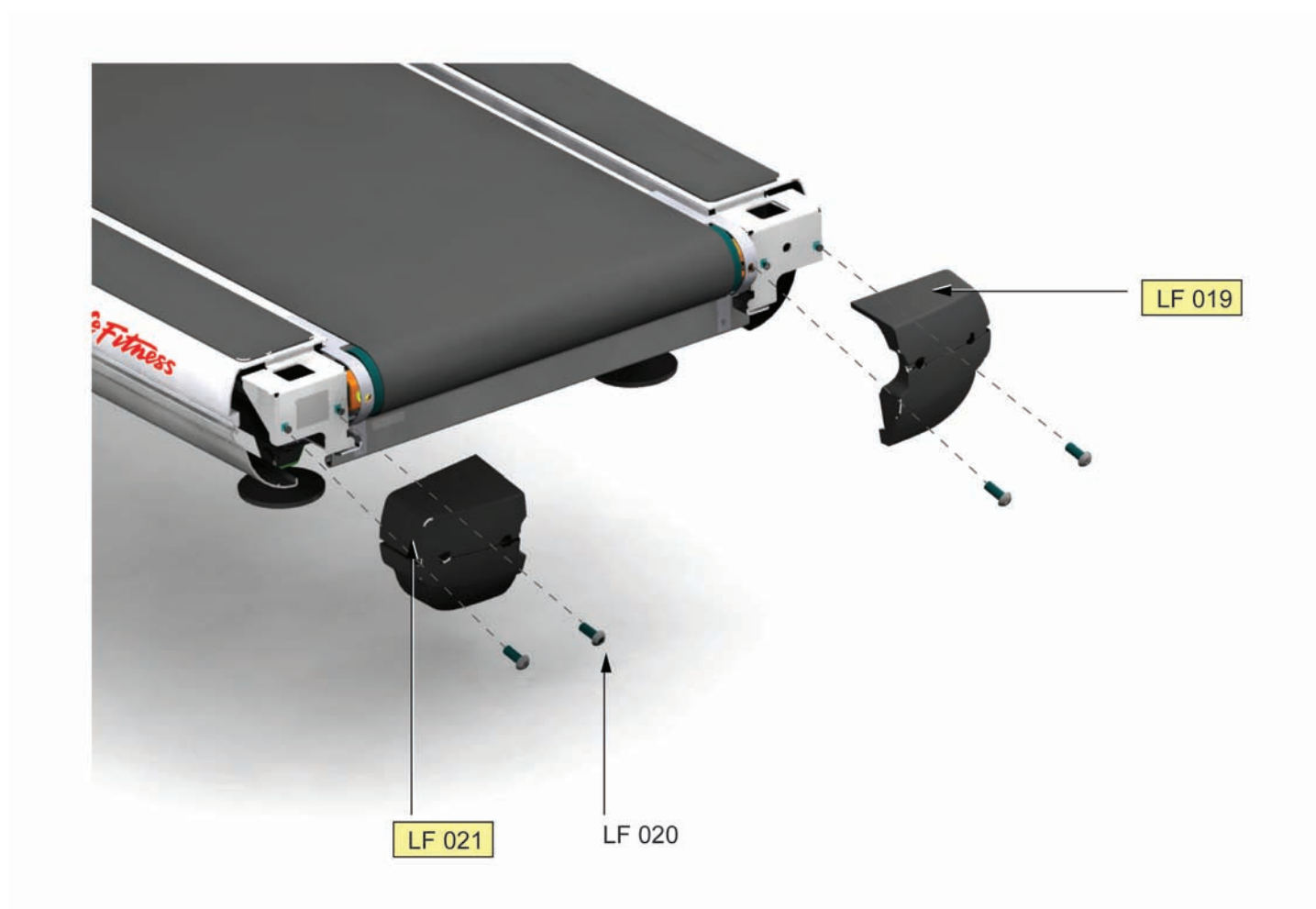
Anti-slip Pad and Extrusions



Part Numbers

Item	Alpha Code(s)	Part Number	Description
LF-012	TWT,TET, PCT,PST,PET	0K65-01190-0001	Right Anti slip Pad
LF-013	TWT,TET, PCT,PST,PET	0K65-01190-0002	Left Anti slip Pad
LF-014	TWT,TET, PCT,PST,PET	GK65-00002-0003	Right Upper Extrusion/Anti-slip Pad Kit
LF-015	TWT,TET, PCT,PST,PET	GK65-00002-0004	Left Upper Extrusion/Anti-slip Pad Kit
LF-016	TWT,TET, PCT,PST,PET	AK65-00093-0003	RH Lower Frame Extrusion Assembly
LF-017	TWT,TET, PCT,PST,PET	AK65-00093-0004	LH Lower Frame Extrusion Assembly
LF-018	TWT,TET, PCT,PST,PET	0K65-01259-0000	Lower Extrusion Spacer

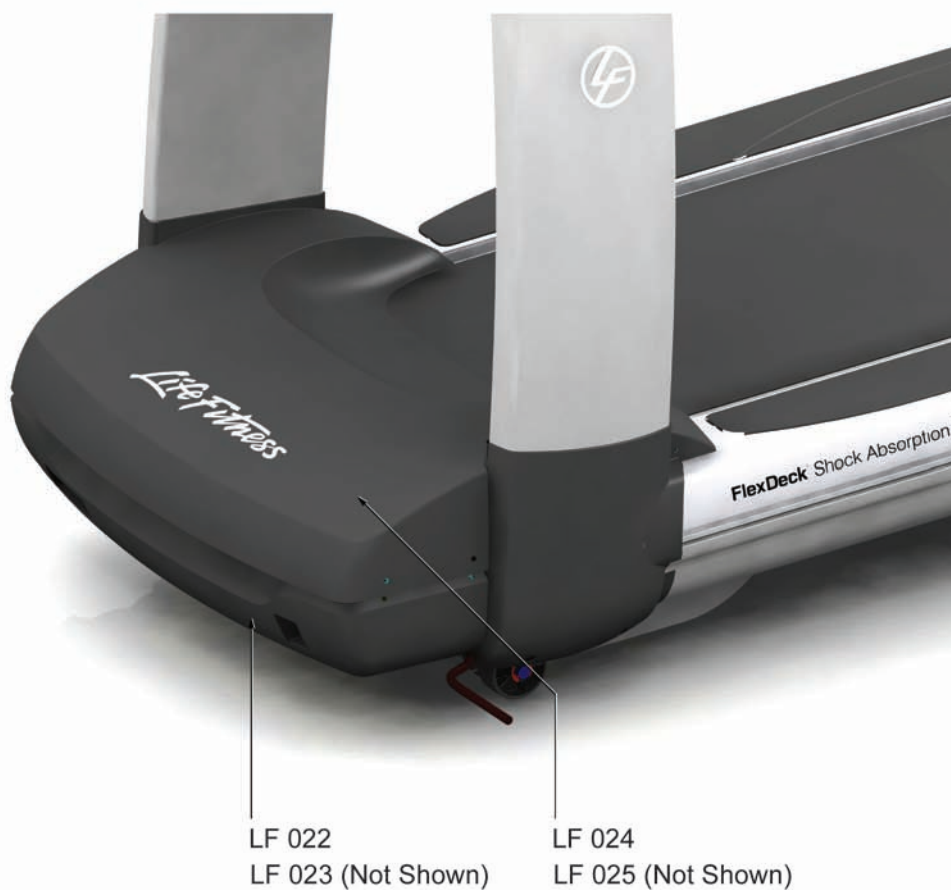
Rear End Caps



Part Numbers

Item	Alpha Code(s)	Part Number	Description
LF-019	TWT,TET, PCT,PST,PET	GK65-00002-0023	Right Rear End Cap Kit
LF-020	TWT,TET, PCT,PST,PET	0017-00101-1776	Rear End Cap Mounting Screws (4)
LF-021	TWT,TET, PCT,PST,PET	GK65-00002-0022	Left Rear End Cap Kit Grommets

Motor Pan Covers

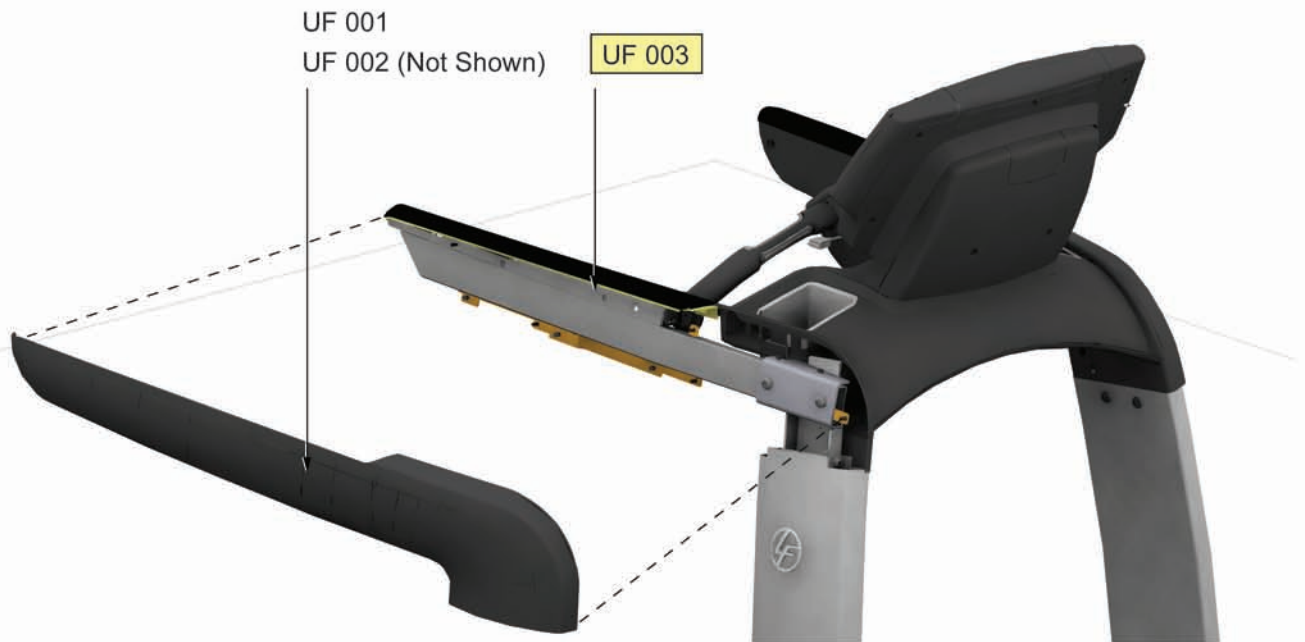


Part Numbers

Item	Alpha Code(s)	Part Number	Description
LF-022	TWT,TET, PCT,PST,PET	0K65-01126-0001	Bottom Motor Cover
LF-023	TWT,TET, PCT,PST,PET	0017-00101-1776	Mounting Screw (4)
LF-024	TWT,TET, PCT,PST,PET	0k65-01125-0000	Top Motor Cover
LF-025	TWT,TET, PCT,PST,PET	0017-00101-1776	Mounting Screw (6)

Upper Frame

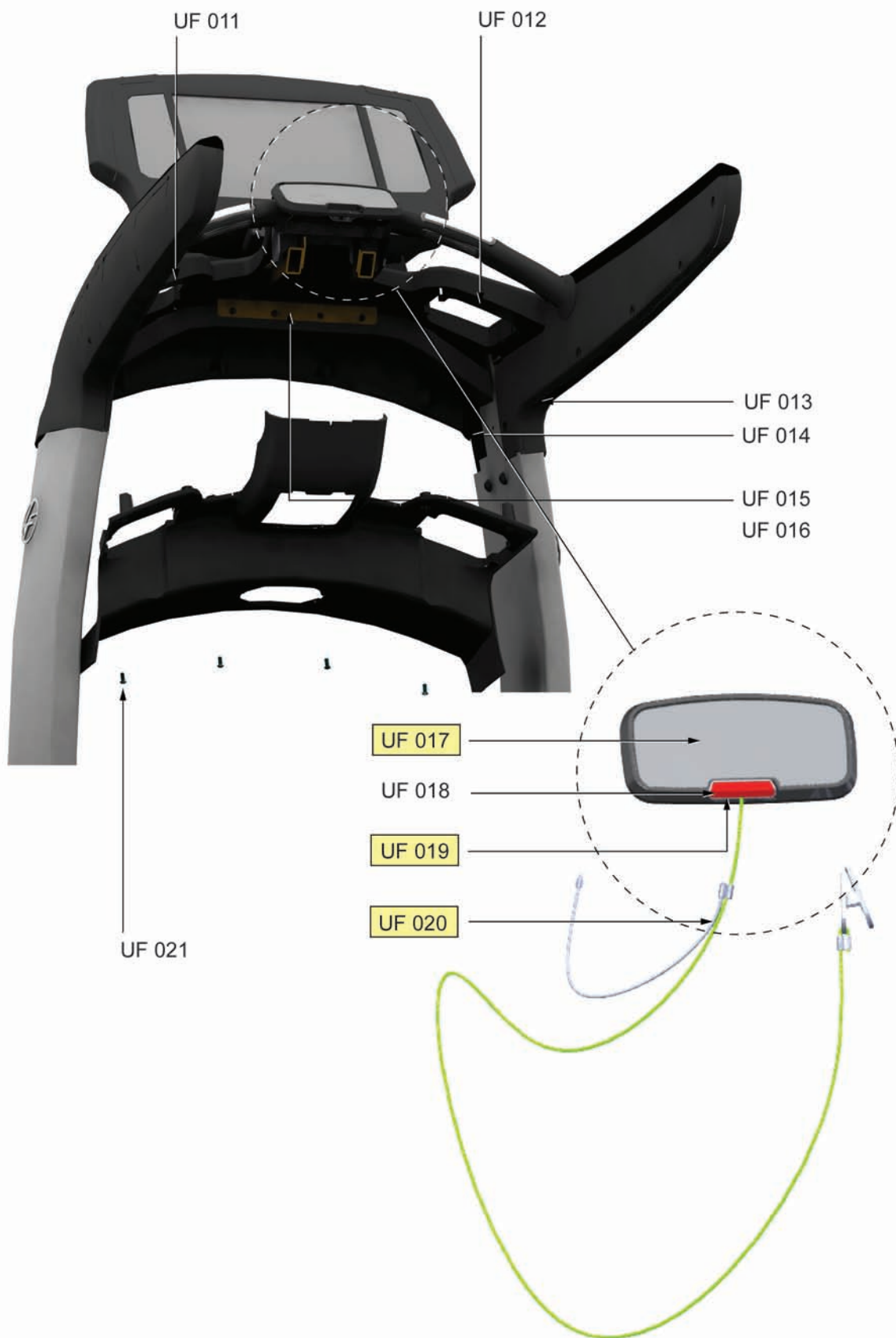
Handrail and Covers



Part Numbers

Item	Alpha Code(s)	Part Number	Description
UF-001	TWT,TET, PCT,PST,PET	0K65-01167-0001	Right Outer Handrail Cover
UF-002	TWT,TET, PCT,PST,PET	0017-00101-1953	Outer Handrail Mounting Screw
UF-003	TWT,TET, PCT,PST,PET	AK65-00077-0001	Right Handrail Assembly
UF-004	TWT,TET, PCT,PST,PET	0K65-01225-0000	Inner Handrail Plug
UF-005	TWT,TET, PCT,PST,PET	AK65-00101-0000	Bag of 10 Plugs
UF-006	TWT,TET, PCT,PST,PET	0K65-01168-0001	Right Inner Handrail Cover
UF-007	TWT,TET, PCT,PST,PET	0K65-01168-0002	Left Inner Handrail Cover
UF-008	TWT,TET, PCT,PST,PET	0017-00101-1953	Outer Handrail Mounting Screw
UF-009	TWT,TET, PCT,PST,PET	AK65-00077-0002	Left Handrail Assembly
UF-010	TWT,TET, PCT,PST,PET	0K65-01167-0002	Left Outer Handrail Cover

Bridge Cover and Activity Zone

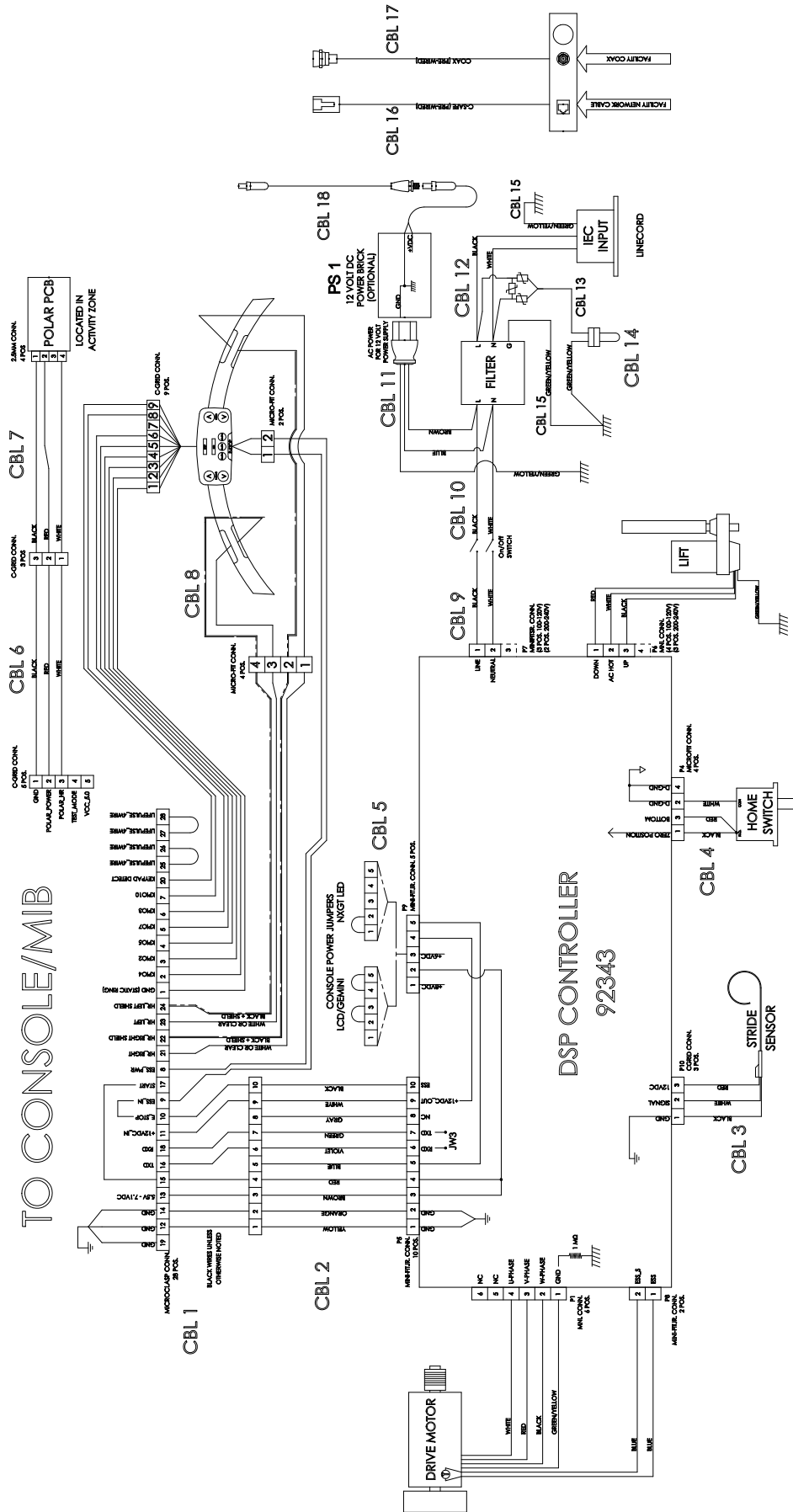


Part Numbers

Item	Alpha Code(s)	Part Number	Description
UF-011	TWT,TET, PCT,PST,PET	0K65-01174-0001	Cup Holders Right
UF-012	TWT,TET, PCT,PST,PET	0K65-01174-0002	Cup Holders Left
UF-013	TWT,TET, PCT,PST,PET	0K65-01051-0000	Top Bridge Cover
UF-014	TWT,TET, PCT,PST,PET	0K65-01052-0000	Bottom Bridge Cover
UF-015	TWT,TET, PCT,PST,PET	0K65-01053-0000	Bezel Access Door
UF-016	TWT,TET, PCT,PST,PET	0K65-01208-0000	Bridge Access Door
UF-017	TWT,TET, PCT,PST,PET	AK65-00015-0000	Activity Zone Assembly
UF-017*	TWT,TET, PCT,PST,PET	AK65-00015-0001	Activity Zone Assembly - IFI
UF-018	TWT,TET, PCT,PST,PET	0017-00101-1954	Mounting Screws (2)
UF-019	TWT,TET, PCT,PST,PET	Ak65-00037-0000	Stop Switch and Tether Assembly
UF-020	TWT,TET, PCT,PST,PET	AK65-00037-0001	For IFI Only
UF-021	TWT,TET, PCT,PST,PET	0017-00101-1953	Bridge Cover Mounting Screws (10)

Electric Wiring Diagrams

PCST-DOMHX-01, 02 | PCST-DOMLX-01 | PCST-INTHX-01 | PCST-DOMHX-03



Parts List

Item	Alpha Code	Part Number	Description
CBL 1	TWT,TET,PCT,PST,PET	AK65-00043-0001	Cable Assy: Activity zone to MIB, W/ Ferrite
CBL 2	TWT,TET,PCT,PST,PET	AK58-00034-0001	Cable Assy: Console Power
CBL 3	TWT,TET,PCT	AK58-00560-0000	Stride-Sensor Assembly
CBL 4	TWT,TET,PCT,PST,PET	AK65-00074-0000	Cable Assy: Home Switch
CBL 5	LED Consloe	AK58-00522-0000	Cable Assy: Jumper; Power; LED Console
CBL 5*	LCD Consloe	AK58-00523-0000	Cable Assy: Jumper; Power; LCD Console
CBL 6	Uncoded Polar	AK70-00037-0000	Cable Assy: Uncoded Polar
CBL 7	Coded Polar	AK65-00117-0000	Cable Assy: Coded Polar to Tread MIB Extension
CBL 8	TWT,TET,PCT,PST,PET	AK65-00047-0000	Cable Assy: Lifepulse Ergobar
CBL 9	TWT,TET,PCT,PST,PET	AK65-00073-0000	Cable Assy: Power 120V DSP
CBL 9*	TWT,TET,PCT,PST,PET	AK65-00073-0001	Cable Assy: Power 230V DSP
CBL 10	TWT,TET,PCT,PST,PET	AK65-00095-0001	Cable Assy: Filter to Switch
CBL 11	TWT,TET,PCT,PST,PET	AK65-00081-0000	Cable Assy: AC Power for TV Brick
CBL 12	TWT,TET,PCT,PST,PET	AK65-00094-0000	Cable Assy: IEC to Filter
CBL 13	TWT,TET,PCT,PST,PET	AK58-00224-0001	Cable Assy: MOV; Fliter
CBL 14	TWT,TET,PCT,PST,PET	AK58-00263-0000	Cable Assy: Hi-Pot Jumper
CBL 15	TWT,TET,PCT,PST,PET	AK26-00348-0000	Cable Assy: Jumper; Ground
CBL 16	TWT,TET,PCT,PST,PET	AK65-00051-0001	Cable Assy: MIB CSAFE; 65 IN
CBL 17	TWT,TET,PCT,PST,PET	AK65-00062-0000	Cable Assy: Coax RG6, Base
CBL 18	TWT,TET,PCT,PST,PET	AK32-00160-0000	Cable Assy: Pwr-Ext w/Ferrite
PS 1	TWT,TET,PCT,PST,PET	AK71-00020-0000	NC 120VAC Power Supply w/Line Cord

Parts List

Item	Alpha Code	Part Number	Description
CBL 1	PST,PET	AK65-00043-0001	Cable Assy: Activity Zone to MIB, W/Ferrite
CBL 2	PST,PET	AK58-00034-0001	Cable Assy: Console Power
CBL 3	PST,PET	AK65-00074-0000	Cable Assy: Home Switch
CBL 4	LED Console	AK58-00522-0000	Cable Assy: Jumper; Power; LED Console
CBL 4*	LCD Console	AK58-00523-0000	Cable Assy: Jumper; Power; LCD Console
CBL 5	Uncoded Polar	AK70-00037-0000	Cable Assy: Uncoded Polar
CBL 6	Coded Polar	AK65-00117-0000	Cable Assy: Coded Polar to Tread MIB Extension
CBL 7	PST,PET	AK65-00047-0000	Cable Assy: Lifepulse Ergobar
CBL 8	PST,PET	AK65-00073-0000	Cable Assy: Power 120V DSP
CBL 8*	PST,PET	AK65-00073-0001	Cable Assy: Power 230V DSP
CBL 9	PST, PET	AK65-00115-0000	Cable Assy: 120 V Filter/Inductor/ Switch 37.0"
CBL 9*	PST, PET	AK65-00116-0000	Cable Assy: 230 V Filter/Inductor/ Switch 37.0"
CBL10	PST,PET	AK65-00081-0000	Cable Assy: AC Power for TV Brick
CBL 11	PST,PET	AK65-00094-0000	Cable Assy: IEC to Filter 230 V
CBL 11*	PST,PET	AK65-00094-0001	Cable Assy: AC-in to Filter 120 V
CBL 12	PST,PET	AK58-00224-0001	Cable Assy: MOV; Fliter
CBL 13	PST,PET	AK58-00263-0000	Cable Assy: Hi-Pot Jumper
CBL 14	PST,PET	AK26-00348-0000	Cable Assy: Jumper; Ground
CBL 15	PST,PET	AK65-00051-0001	Cable Assy: MIB CSAFE; 65 IN
CBL 16	PST,PET	AK65-00062-0000	Cable Assy: Coax RG6, Base
CBL 17	PST,PET	AK32-00160-0000	Cable Assy: Pwr-Ext w/Ferrite
PS 1	PST,PET	AK71-00020-0000	NC 120VAC Power Supply w/Line Cord