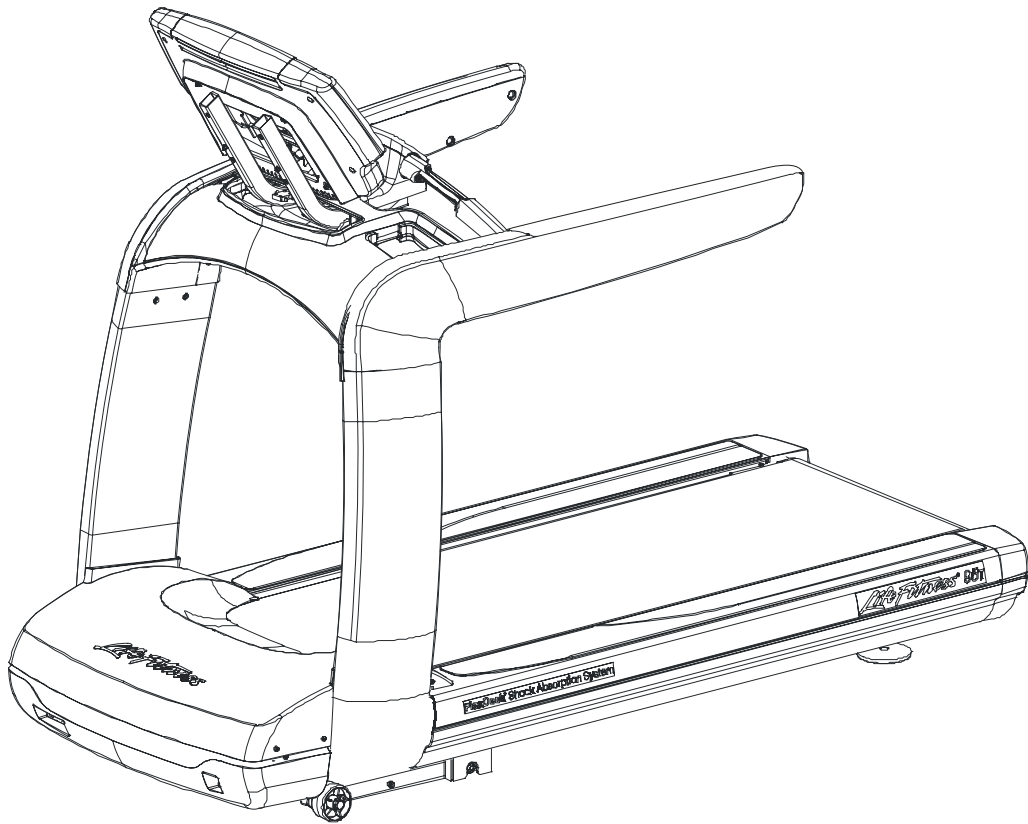


# LifeFitness

PCST-DOMLX-02, PCST-DOMHX-02, and PCST-INTHX-02 Treadmills

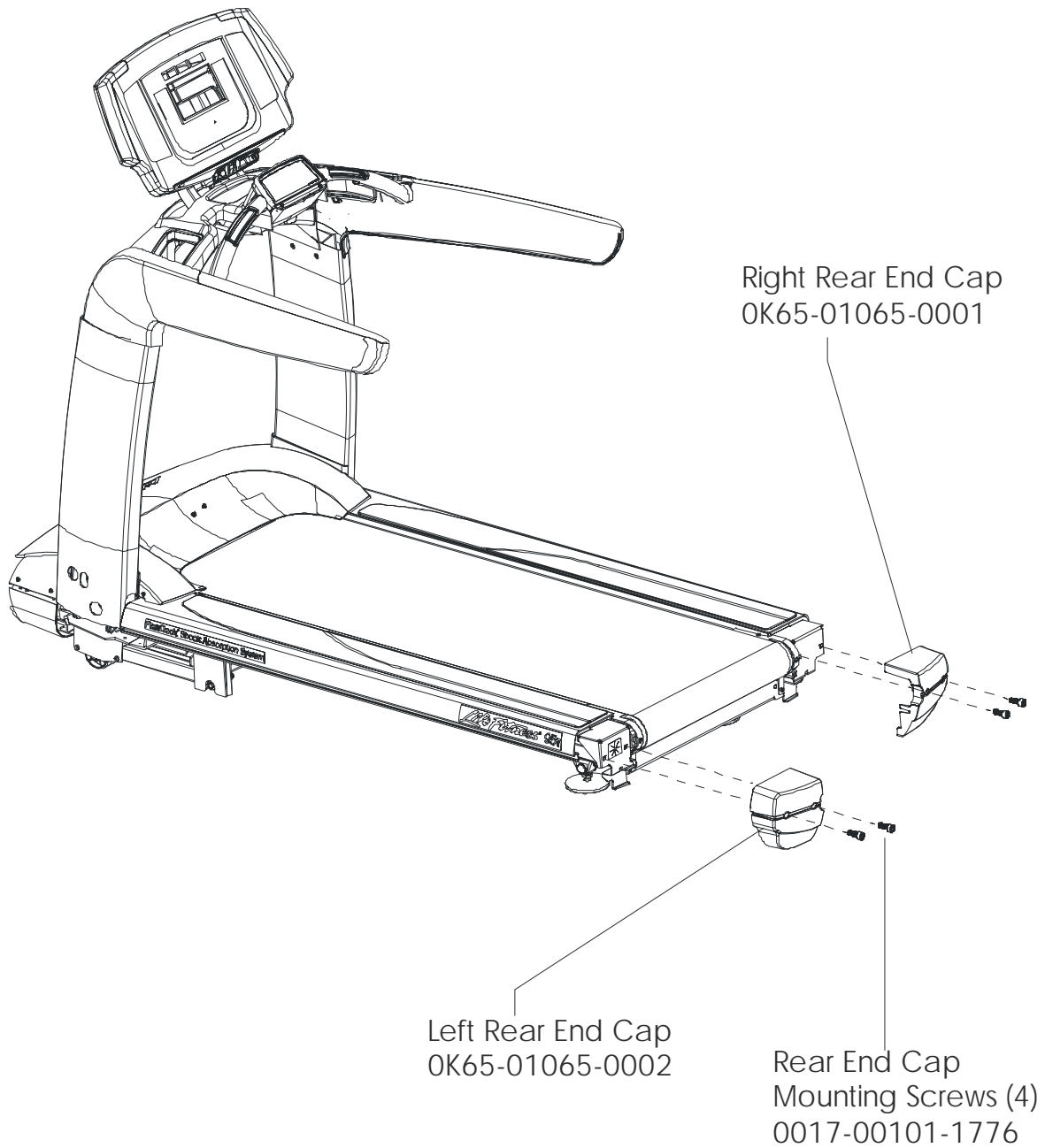


Customer Support Services  
**PARTS MANUAL** rev 22 May 2008

Miscellaneous .....	3
Rear End Caps.....	4
Anti-slip Pad and Extrusions .....	5
Console Assembly .....	6
Uprights and Covers .....	7
Bridge Covers and Activity Zone .....	8
Handrails and Covers .....	9
Console Bracket and Covers .....	10
Ergo Bar Components.....	11
Motor Pan Covers .....	12
Motor Pan Brackets .....	13
Belt, Deck, and Rollers.....	14
Deck Springs and Roller Guards.....	15
Lift Motor and Hardware .....	16
Lift Frame and Wheels .....	17
DSP Motor Controller .....	18
On/Off Switch, Home Switch, and Line Filter .....	19
Drive Motor Assembly.....	20
Idler Assembly and Static Brush.....	21
Leg Leveler Assembly.....	22
Cables .....	23

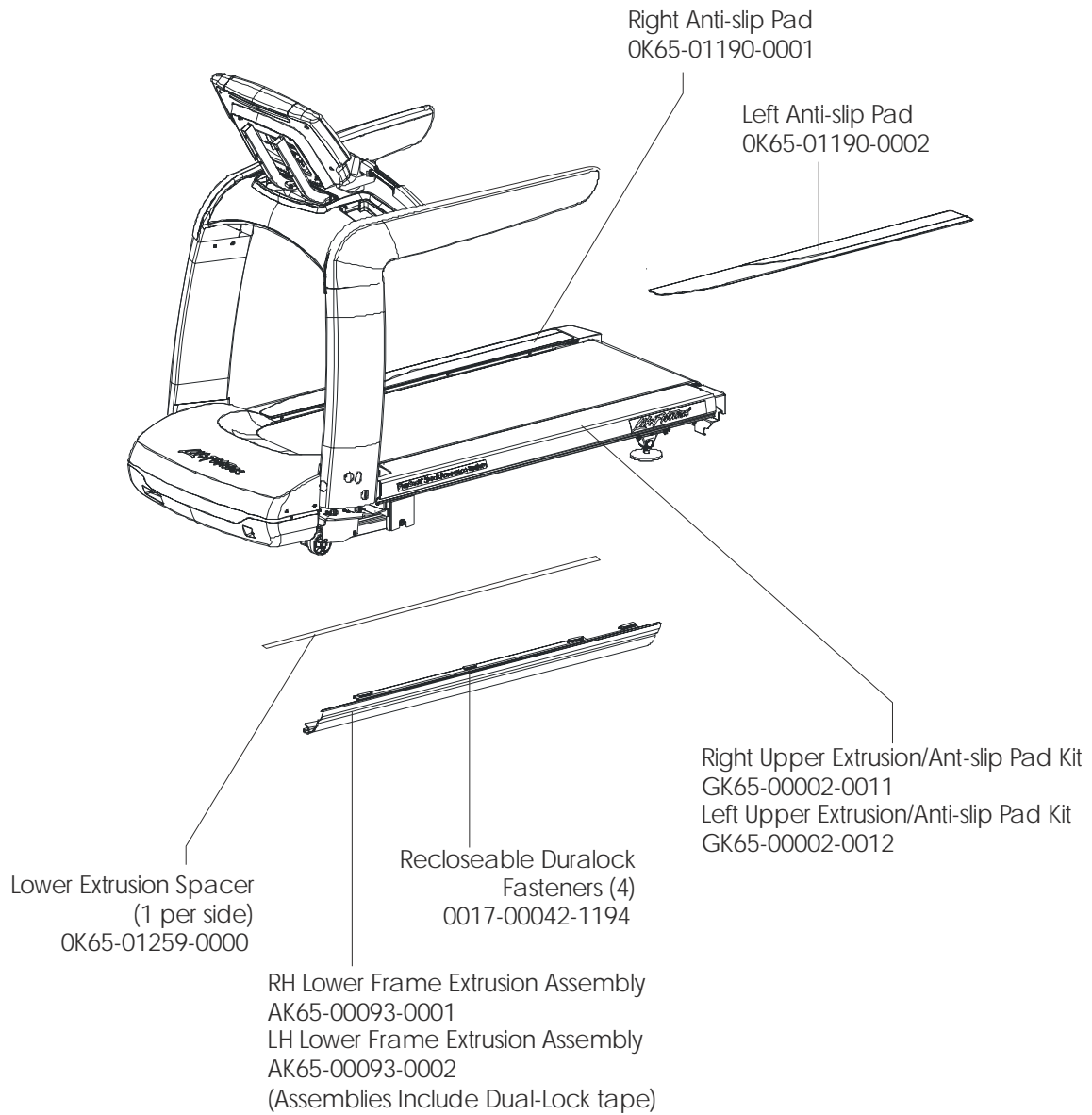
Description	Part No.
OPERATION MANUAL	M051-00K65-A020
HARDWARE BAG  BAG CONSISTS OF:  SCREW - 8-18x12 SCREW - M6x1.00-6G6Gx20 SCREW - M6x1.00-6G6Gx35 SCREW - M12x1.75-6G6Gx30 SCREW - M6x1.00-6G6Gx14 SCREW - 10-16X8 SCREW - M3x.8-6G6Gx10 WASHER - M006.50 WASHER - M012.70 C-SAFE Splitter	AK65-00025-0000    0017-00101-1769 - 2 PCS. 0017-00101-1902 - 7 PCS. 0017-00101-1954 - 6 PCS. 0017-00101-1984 - 16 PCS. 0017-00101-1953 - 68 PCS. 0017-00101-1776 - 8 PCS. 0017-00101-1995 - 4 PCS. 0017-00104-0488 - 19 PCS. 0017-00104-0489 - 16 PCS. 0017-00021-2740
TOUCH UP PAINT: SPRAY CAN .5 OZ BOTTLE W/APPLICATOR .33 OZ PEN	 0017-00008-0204 0017-00008-0205 0017-00008-0206
Line cord Bracket  SCREW - M4x.07-6G6Gx10	OK65-01131-0000  0017-00101-1968 - 2 PCS.
LINE CORDS: Domestic Low Voltage Domestic High Voltage International high Voltage UK Australia China	 0017-00003-0985 0017-00003-0781 0017-00003-0696 0017-00003-0890 0017-00003-0996 0017-00003-1014

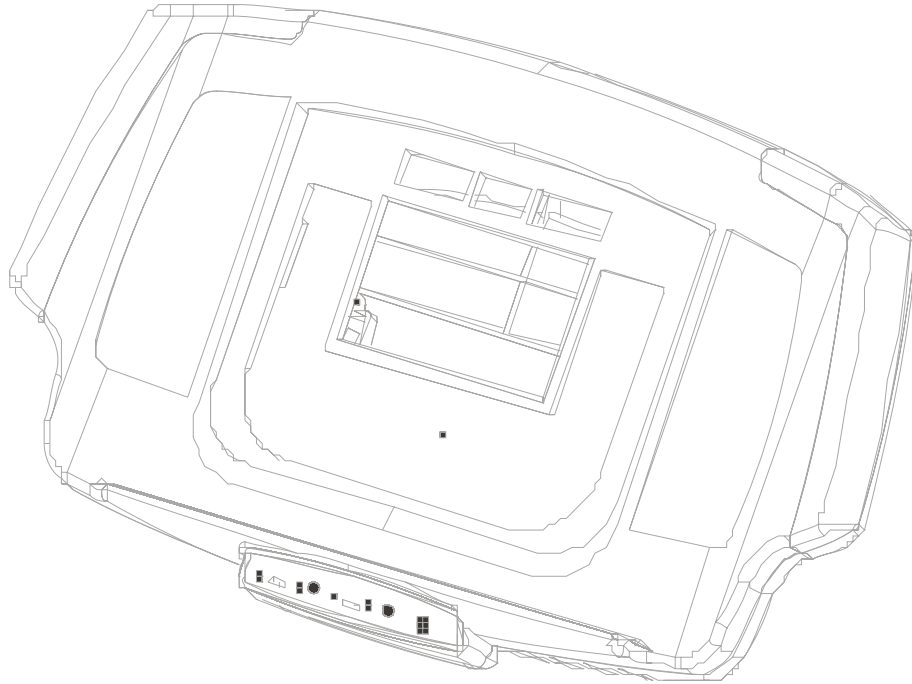
This treadmill has both Lifepulse hand sensors and telemetry and is pre-wired for attachable TV.



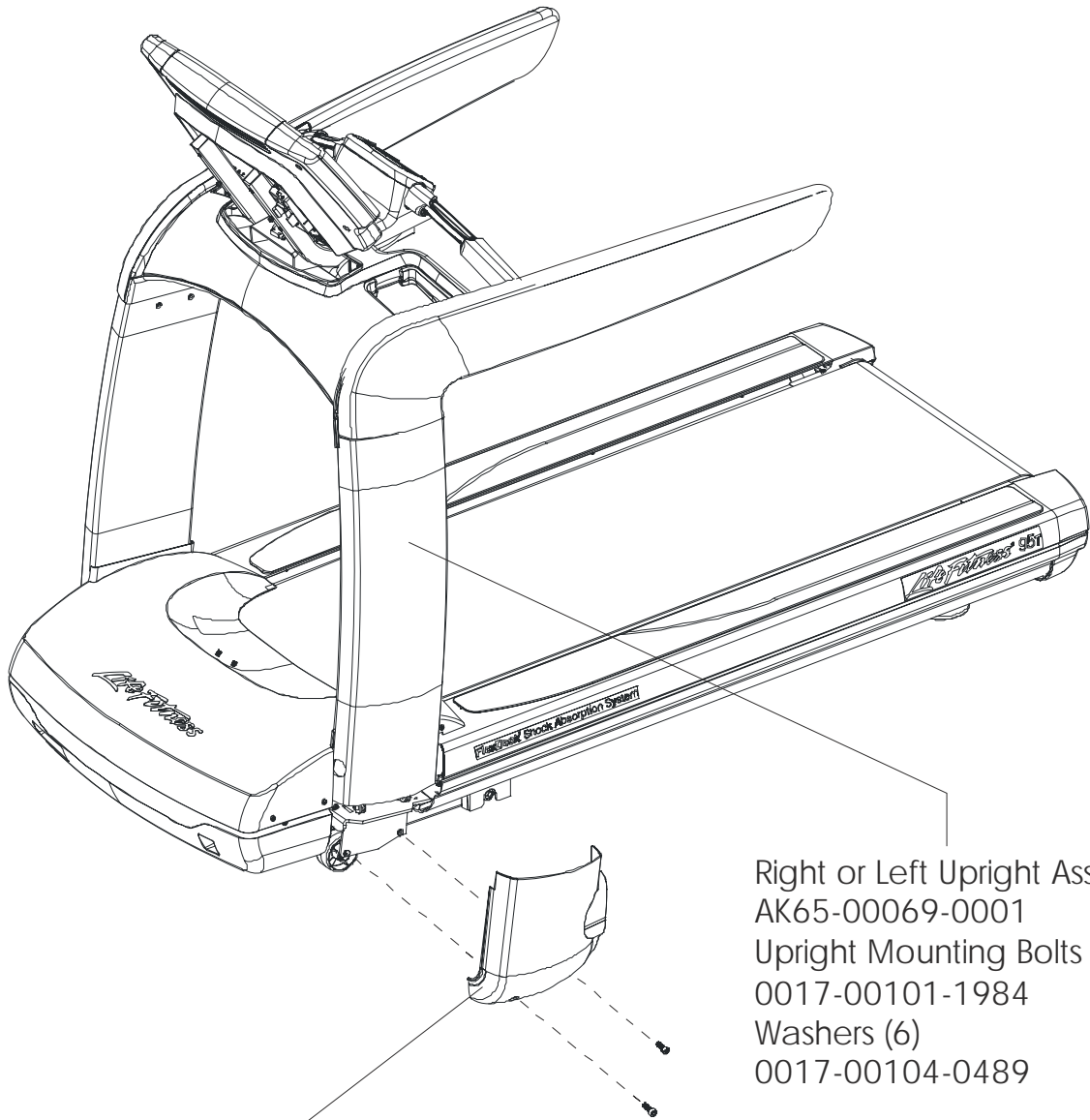
Platinum Club Series Treadmill  
Anti-slip Pad and Extrusions

PCST-XXXXX-02  
S/N PST100000 and up





Description	Part No.
LED TREADMILL CONSOLE - ENGLISH	LEDT-DOMXX-01
LED TREADMILL CONSOLE - INTERNATIONAL	LEDT-INTXX-01
7-INCH LCD TREADMILL CONSOLE DOM	07DT-DOMXX-01
7-INCH LCD TREADMILL CONSOLE INT	07DT-INTXX-01
15-INCH LCD TREADMILL CONSOLE DOM NTSC	15DT-DOMXN-01
15-INCH LCD TREADMILL CONSOLE NTSC	15DT-INTXN-01
15-INCH LCD TREADMILL CONSOLE PAL	15DT-INTXP-01



Right or Left Upright Assembly  
AK65-00069-0001  
Upright Mounting Bolts (6)  
0017-00101-1984  
Washers (6)  
0017-00104-0489

Right Upright Cover  
OK65-01127-0001  
Left Upright Cover  
OK65-01127-0002

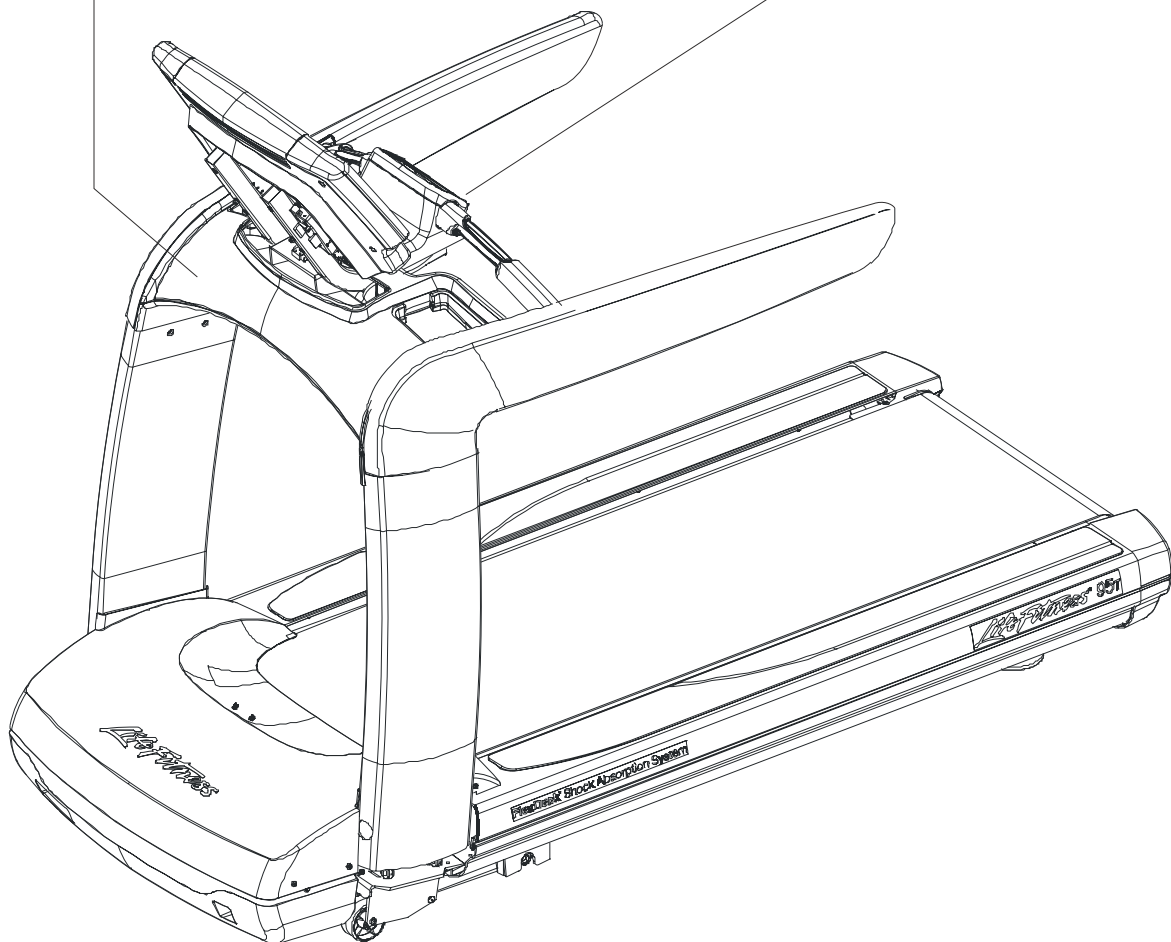
Upright Cover  
Mounting Screws (2)  
0017-00101-1776

Platinum Club Series Treadmill  
Bridge Covers and Activity Zone

PCST-XXXXX-02  
S/N PST100000 and up

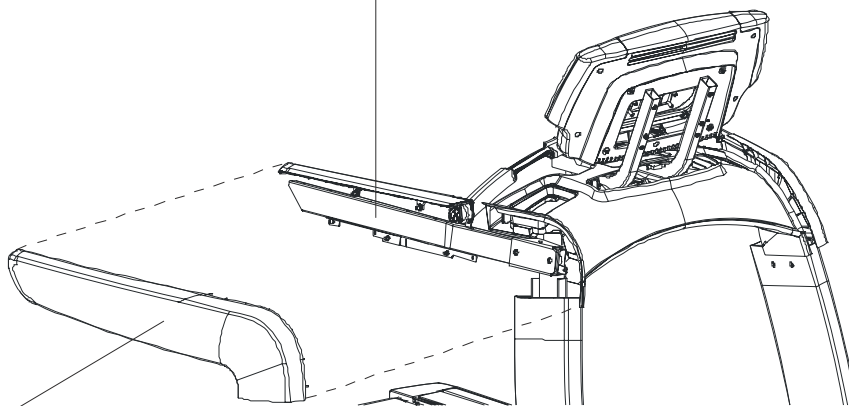
Top Bridge Cover  
OK65-01051-0000  
Bottom Bridge Cover  
OK65-01052-0000  
Bezel Access Door  
OK65-01053-0000  
Bridge Access Door  
OK65-01208-0000  
Bridge Cover Mounting Screws (10)  
0017-00101-1953

Activity Zone Assembly  
AK65-00015-0000  
Mounting Screws (2)  
0017-00101-1954



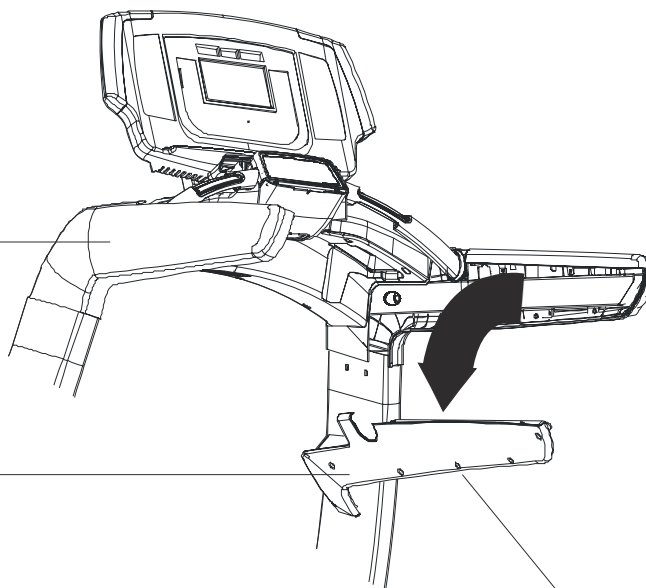


Right Handrail Assembly  
AK65-00077-0001



Right Outer Handrail Cover  
OK65-01167-0001  
Outer Handrail Mounting Screws  
(6 per cover)  
0017-00101-1953

Left Handrail Assembly  
AK65-00077-0002  
Left Outer  
Handrail Cover  
OK65-01167-0002



Right Inner Handrail Cover  
OK65-01168-0001  
Left Inner Handrail Cover  
OK65-01168-0002  
Inner Handrail Mounting  
Screws (5 per cover)  
0017-00101-1953

Inner Handrail Plug  
OK65-01225-0000  
Plugs (bag of 10)  
AK65-00101-0000

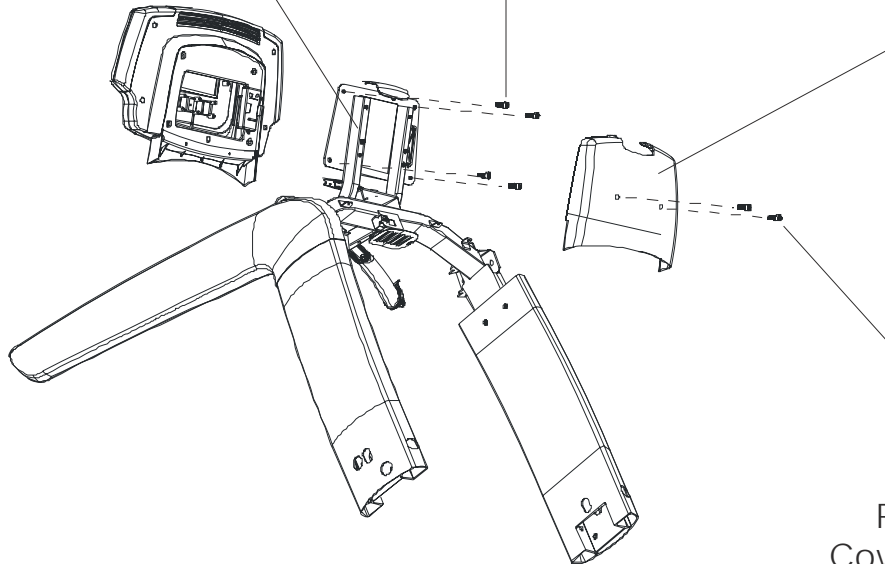
Platinum Club Series Treadmill  
Console Bracket and Covers

PCST-XXXXX-02  
S/N PST100000 and up

Console Bracket Assembly  
AK65-00085-0000

Console Mounting Screws (4)  
0017-00101-1995

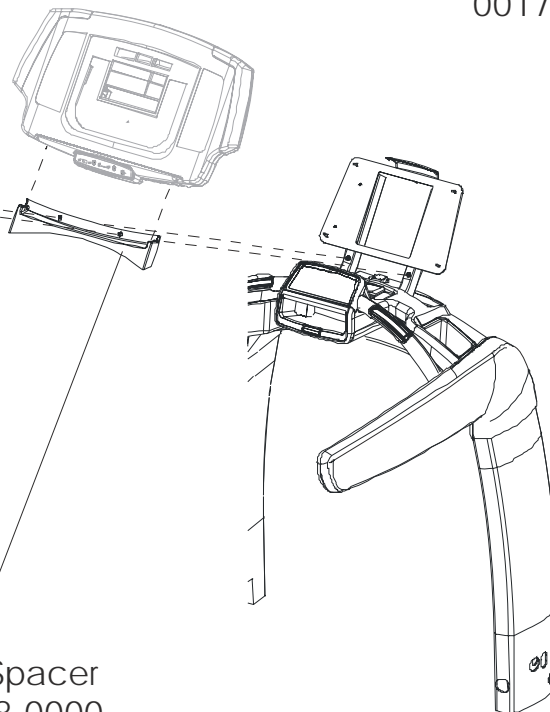
Rear Console  
Cover w/Decal  
AK65-00090-0000



Rear Console  
Cover Screws (2)  
0017-00101-1953

Neck Spacer Screws (2)  
0017-00101-1953

Console Neck Spacer  
0K65-01188-0000



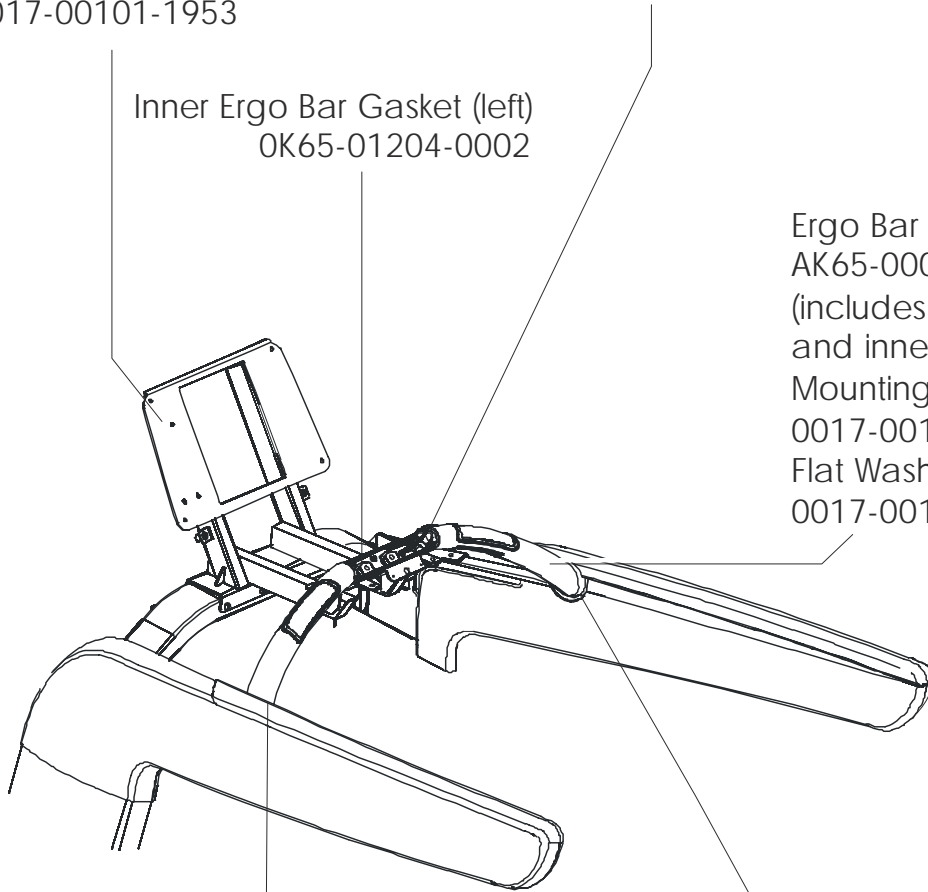
HR Sensor Kit  
GK65-00002-0002  
(includes 4 sensors, sensor gaskets,  
and mounting screws)

Bridge Weldment  
AK65-00129-0000  
Bridge Weldment  
Mounting Screws (4)  
0017-00101-1953

Inner Ergo Bar Gasket (right)  
OK65-01204-0001

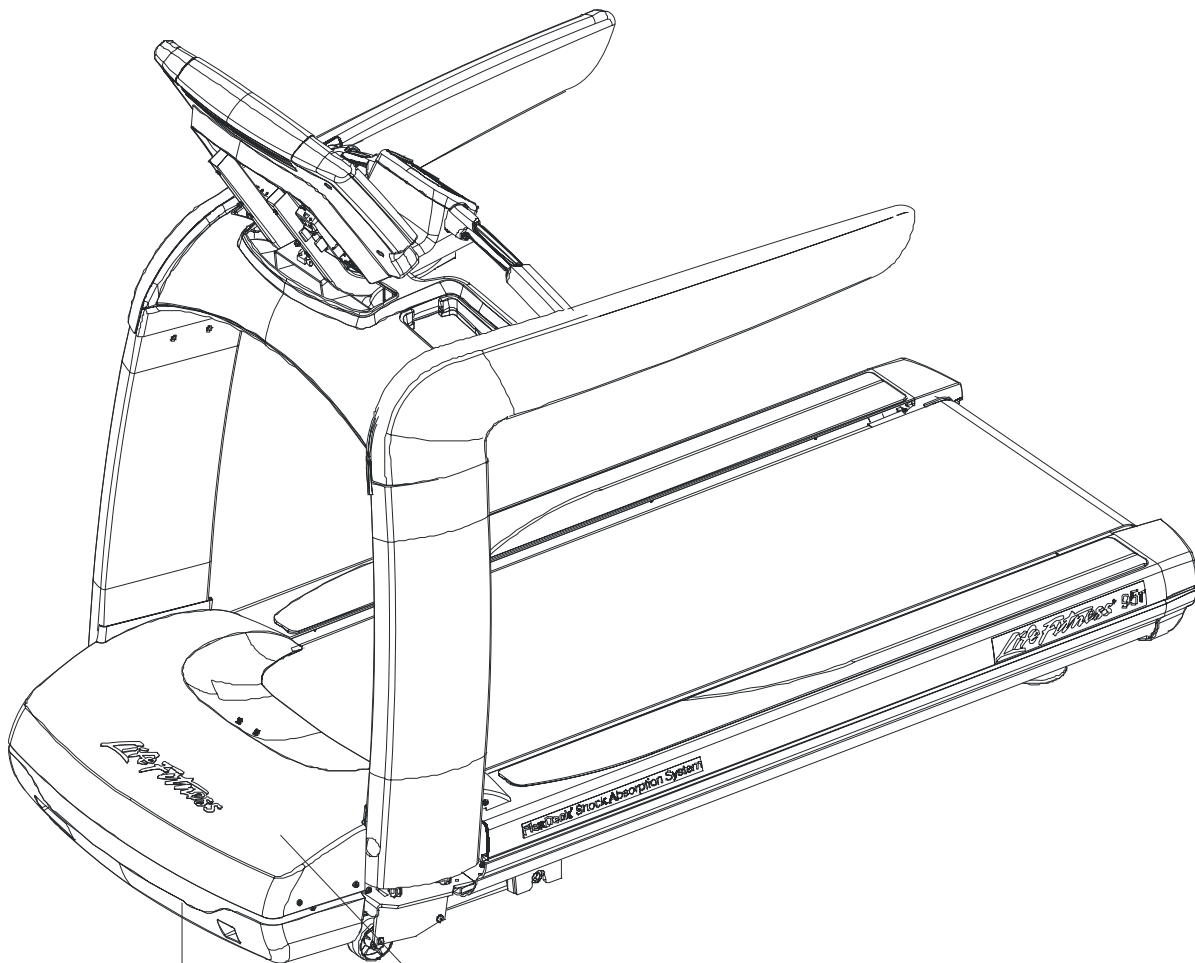
Inner Ergo Bar Gasket (left)  
OK65-01204-0002

Ergo Bar Assembly  
AK65-00014-0000  
(includes HR sensors kit  
and inner Ergo Bar gaskets)  
Mounting Screws (4)  
0017-00101-1954  
Flat Washers (4)  
0017-00104-0488



Outer Ergo Bar Gasket (right)  
OK65-01203-0001

Outer Ergo Bar Gasket (left)  
OK65-01203-0002



Bottom Motor Cover  
OK65-01126-0000  
Motor Cover Screws (4)  
0017-00101-1776

Top Motor Cover  
OK65-01125-0000  
Motor Cover Screws (4)  
0017-00101-1776

Actuator and Frame Tie Weldment

AK65-00088-0000

Flat Washers (5)

0017-00104-0334

Mounting Bolts (5)

0017-00101-1983

Lock Washers (5)

0017-00104-0064

Mounting Bolts (2)

0017-00101-1982

Flat Washers (2)

0017-00104-0492

Bar Tie

OK65-01187-0000

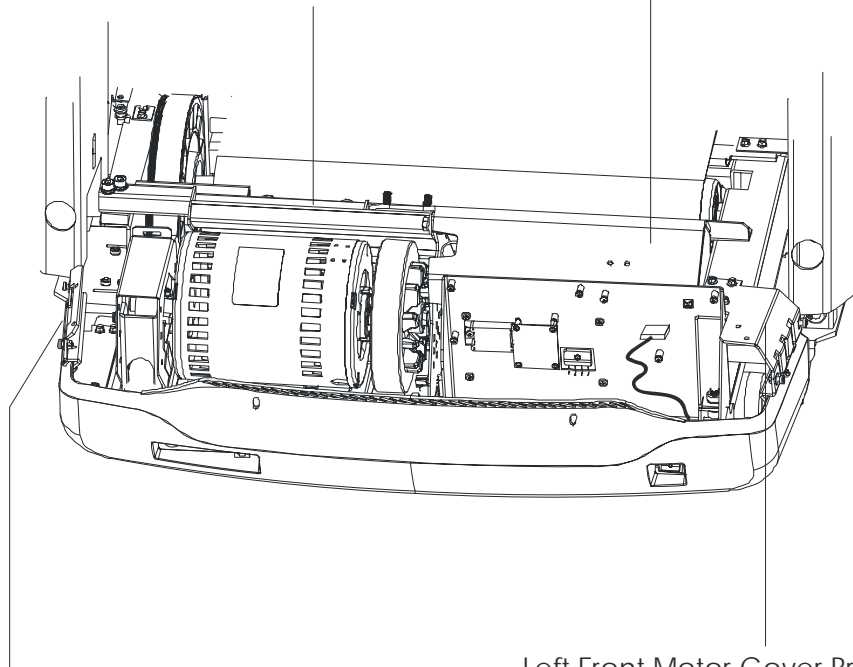
Bar Tie Mounting Hardware

0017-00101-1959 (4)

0017-00103-0333 (4)

0017-00104-0330 (4)

0017-00104-0334 (4)



Right Front Motor Cover Bracket

OK65-01134-0001

Mounting Screws (3)

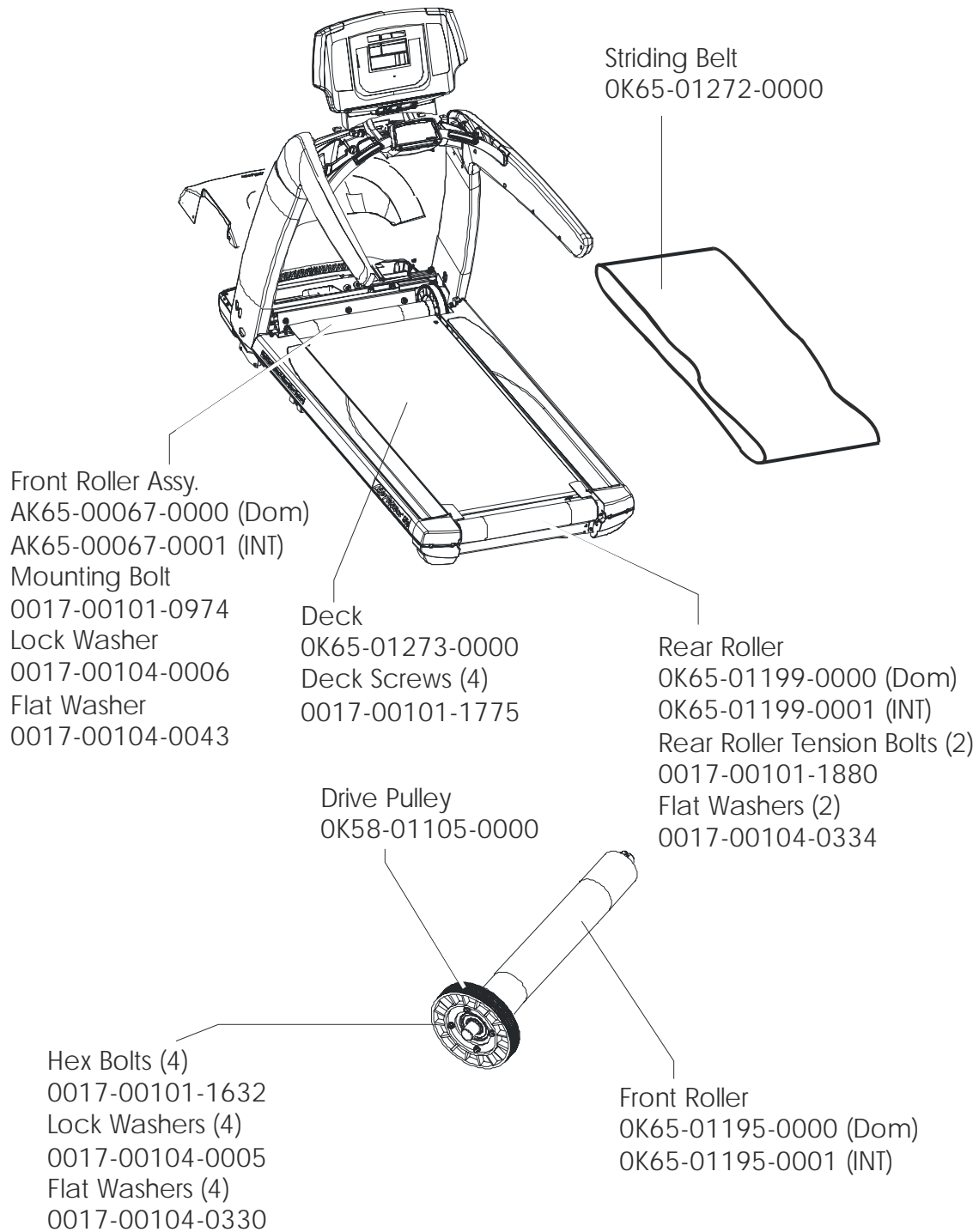
0017-00101-1961

Left Front Motor Cover Bracket

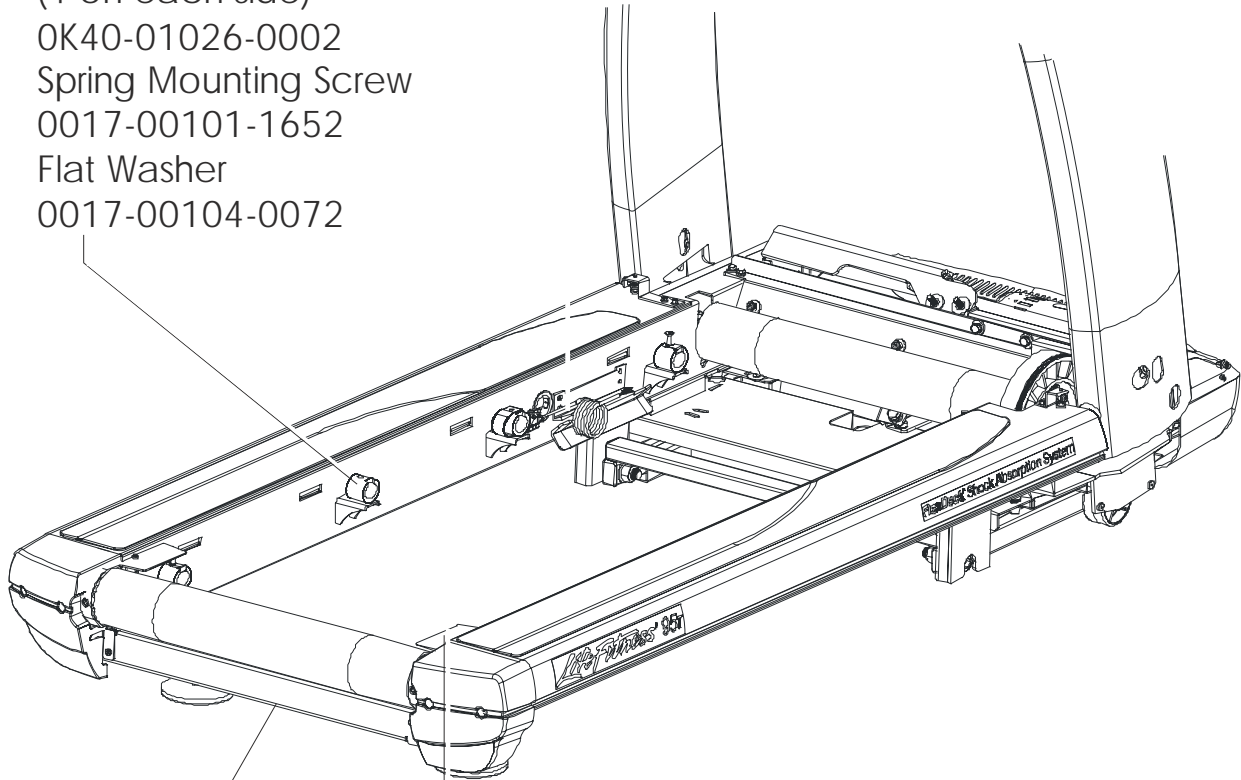
OK65-01134-0002

Mounting Screws (4)

0017-00101-1961

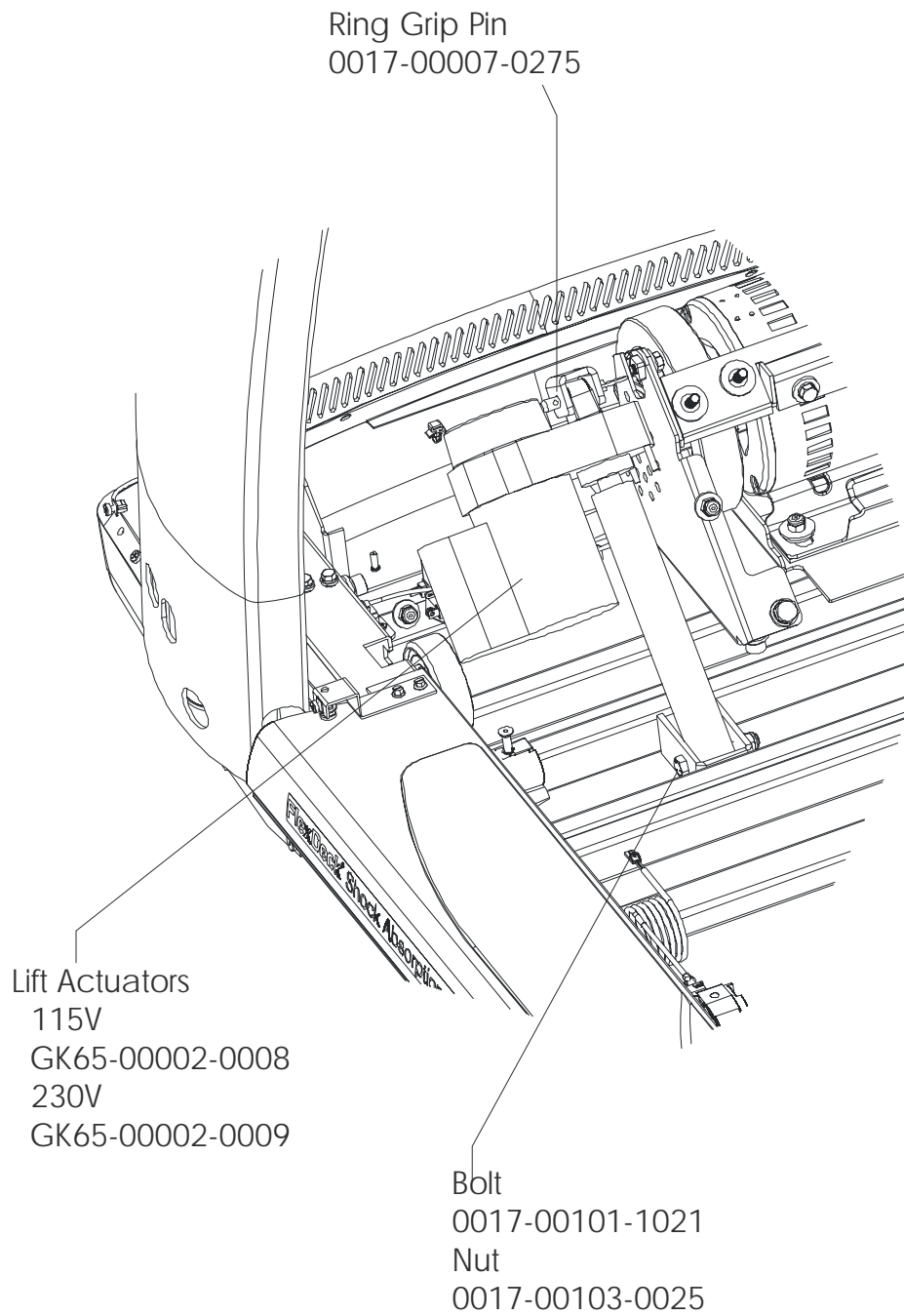


Deck Springs  
(4 on each side)  
OK40-01026-0002  
Spring Mounting Screw  
0017-00101-1652  
Flat Washer  
0017-00104-0072



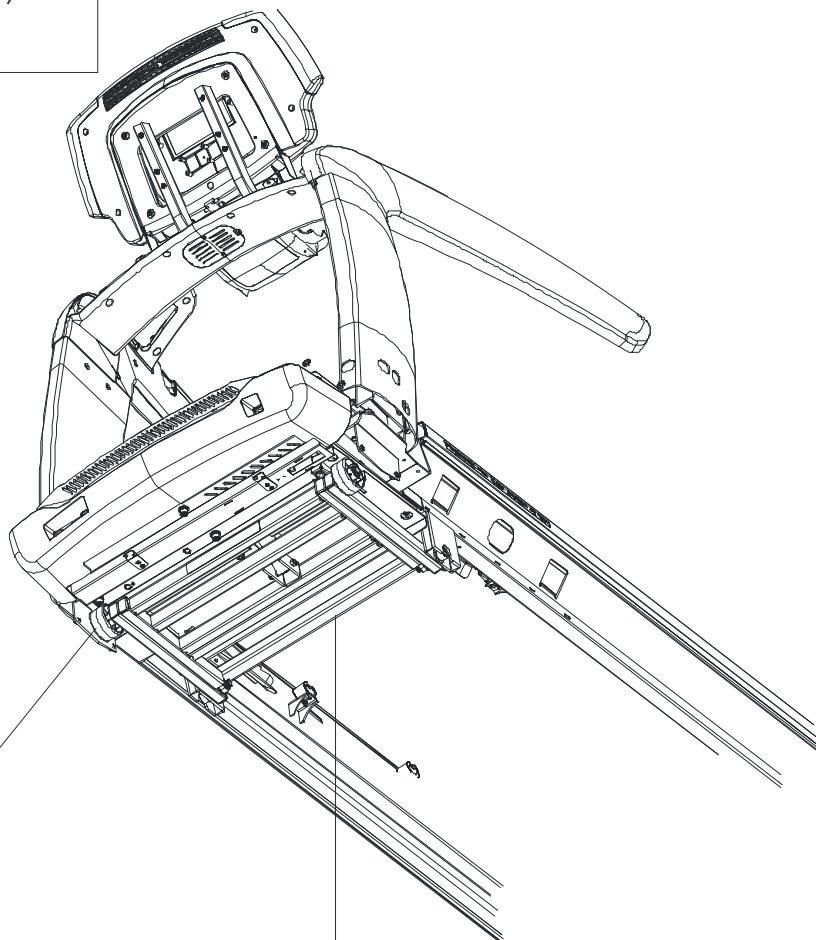
Toe Guard  
Toe Guard  
Mounting Hardware  
AK65-00080-0000  
Bolts (2)  
0017-00101-1967  
Washers (2)  
0017-00104-0004  
Nuts (4)  
0017-00103-0333  
Washers (2)  
0017-00104-0469

Roller Guard Kit  
GK65-00002-0001  
(includes right and left roller  
guards, grommets, and screws)



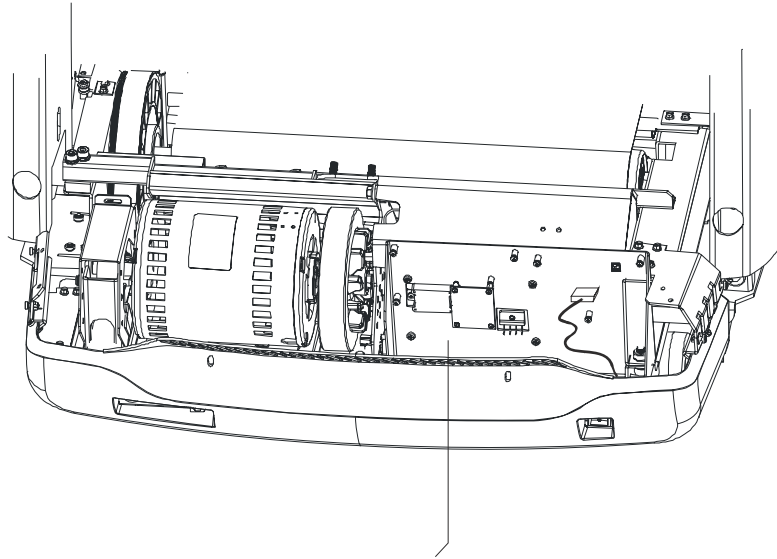


Lift Frame Assembly  
(includes lift frame, wheels,  
e-rings, and end caps)  
AK65-00035-0000

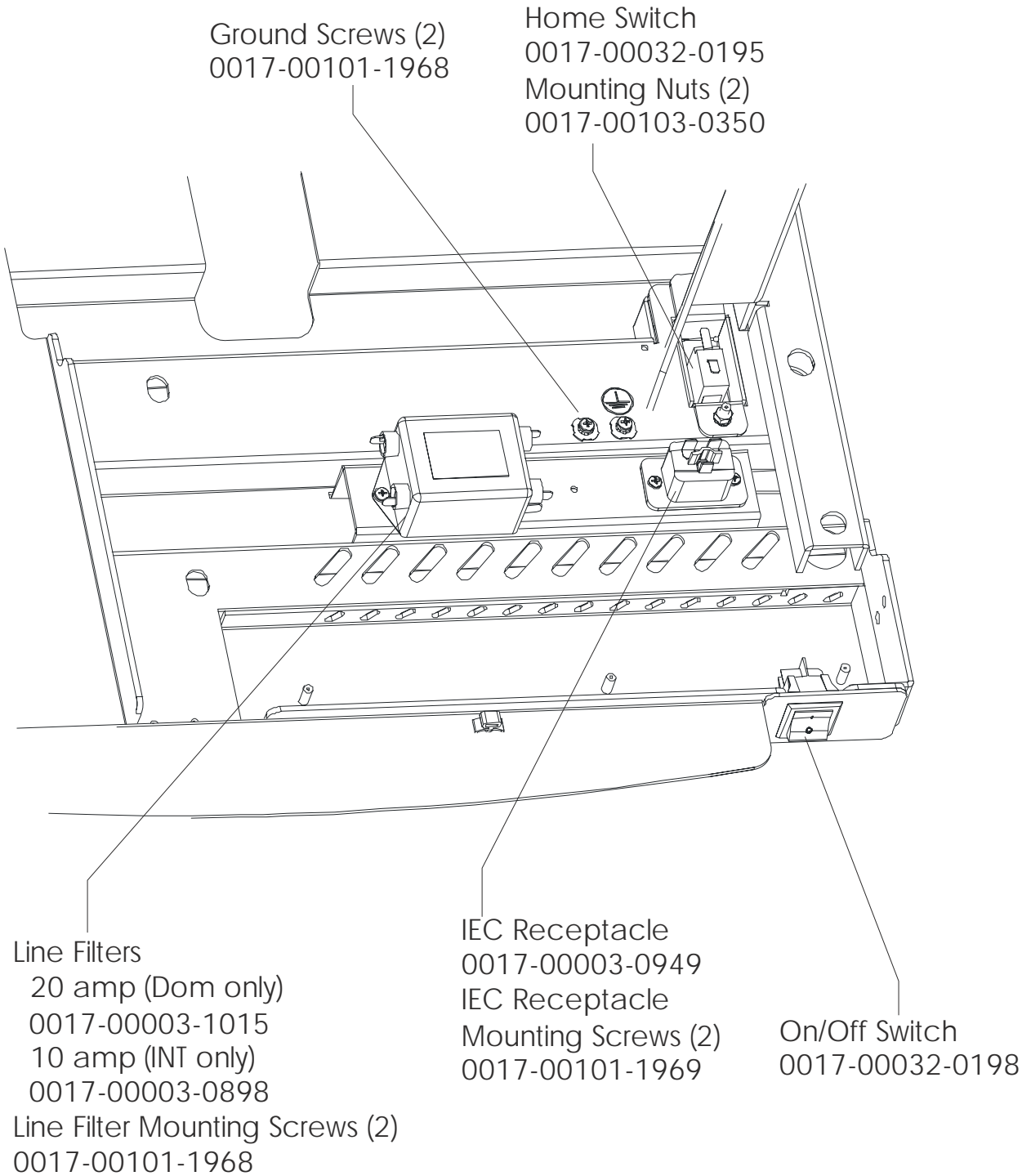


Tube End Caps (8)  
OK60-01092-0000  
Lift Wheels (2)  
OK65-01245-0000  
E-Rings (2)  
0017-00100-0249

Painted Lift Frame Weldment  
AK65-00089-0001  
Lift Frame Mounting Bolts (2)  
0017-00101-1964  
Lift Frame Mounting Nuts (2)  
0017-00103-0349  
Washers (2)  
0017-00104-0259  
Sleeve Bushings (2)  
OK65-01242-0000

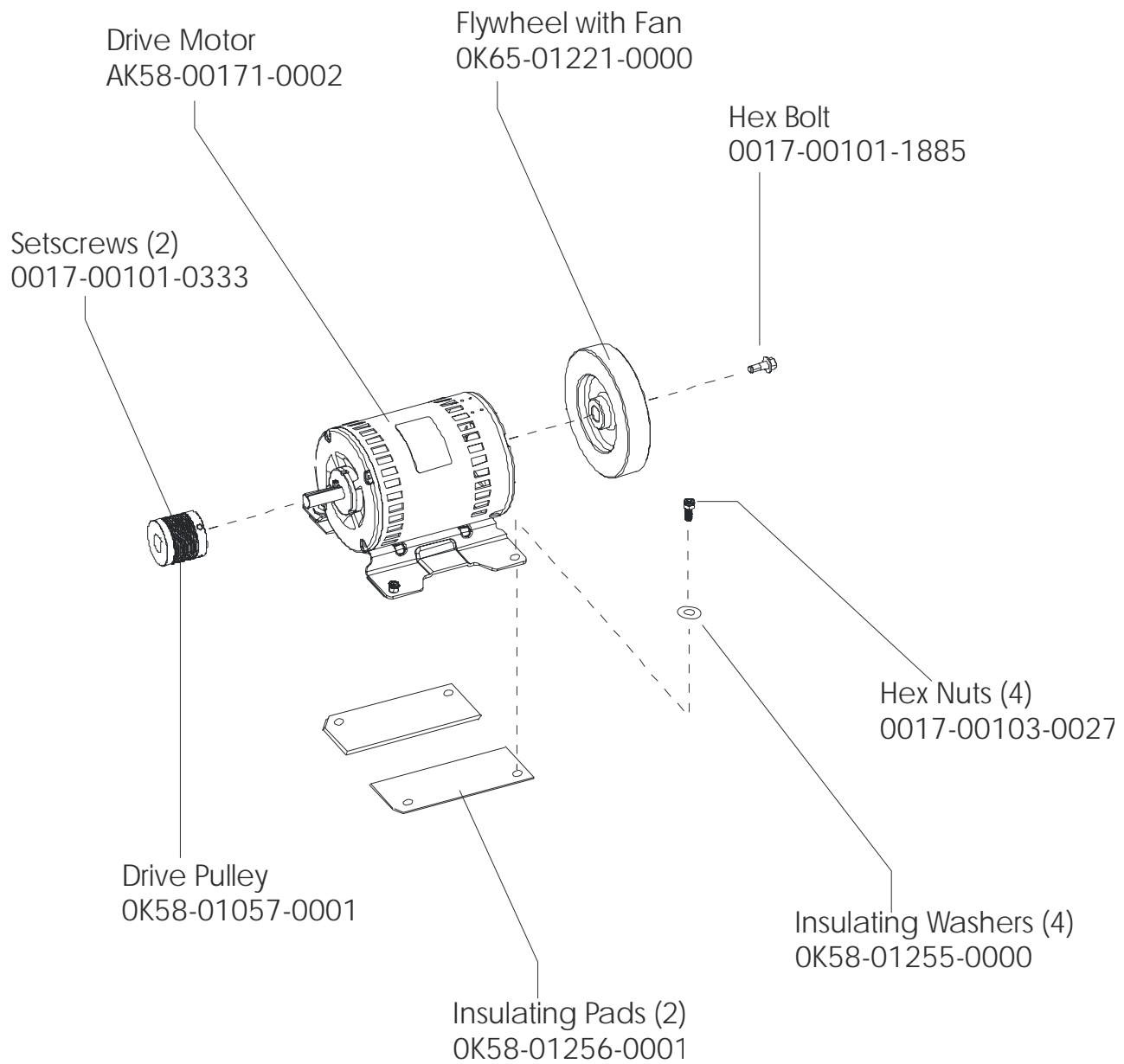


DSP Motor Controller with Cable  
GK65-00002-0015 100-120V  
GK65-00002-0016 200-240V  
Hex Nuts (3)  
0017-00103-0350

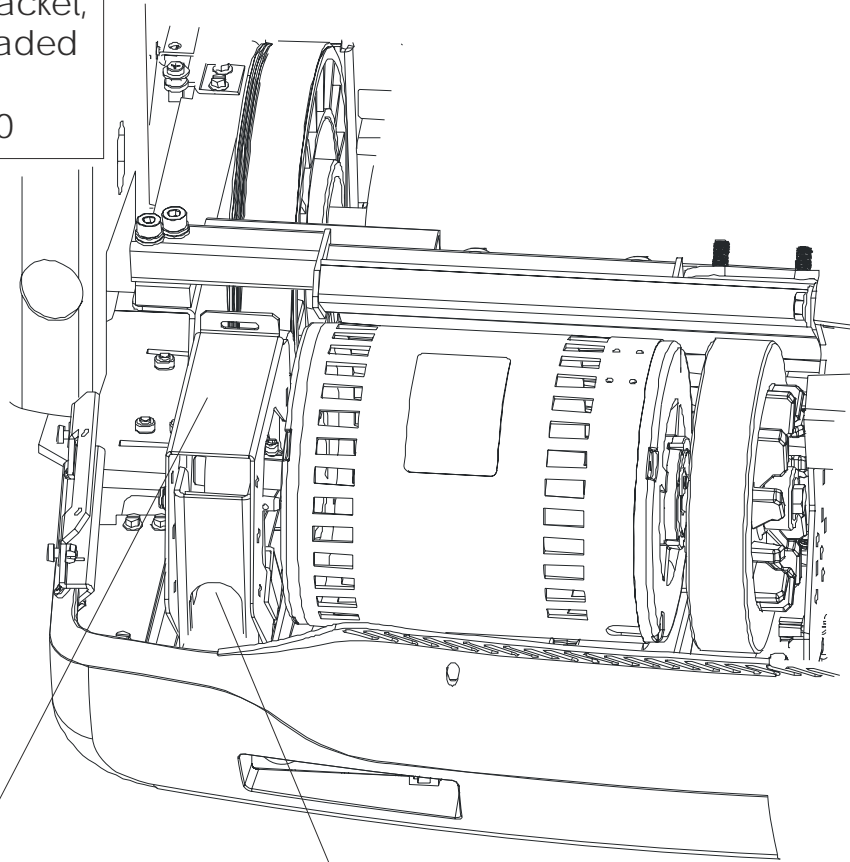


Platinum Club Series Treadmill  
Drive Motor Assembly

PCST-XXXXX-02  
S/N PST100000 and up



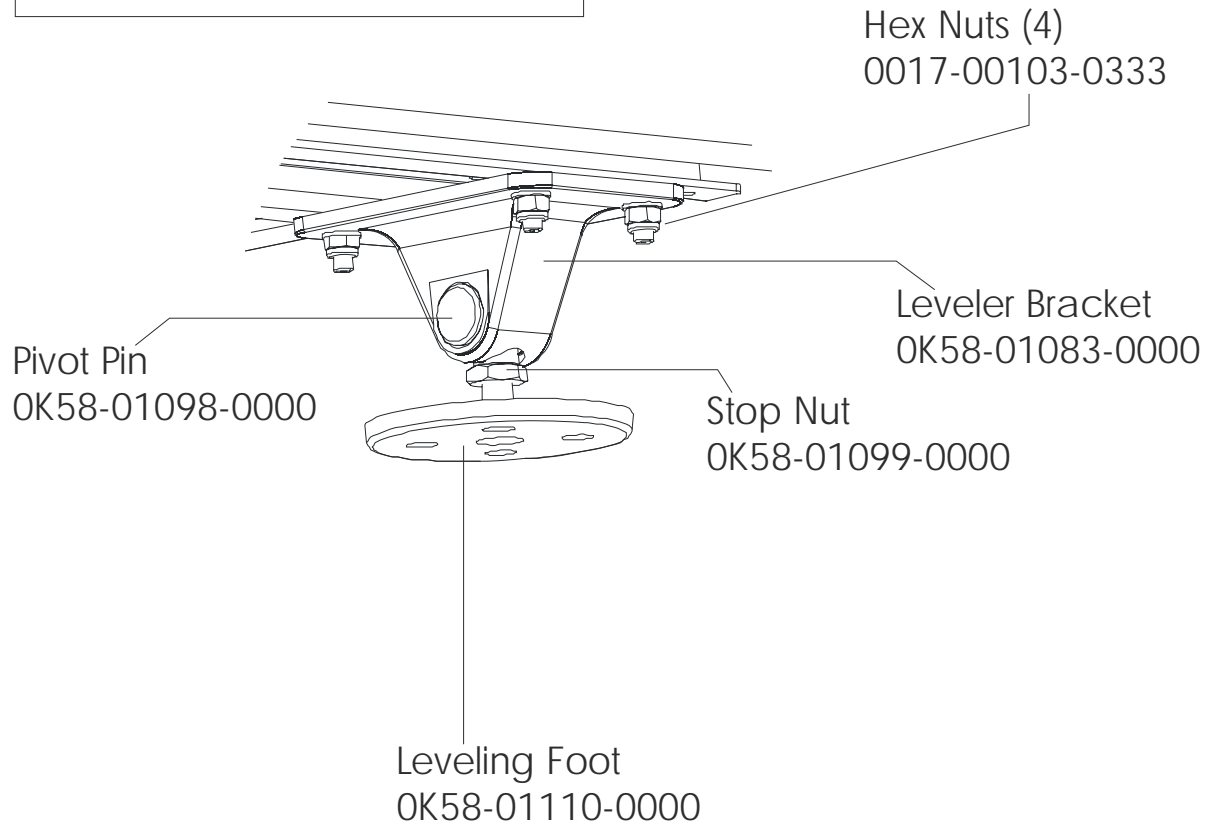
Idler Assembly  
(includes idler bracket,  
plastic idler, threaded  
shaft, and nut)  
AK65-00029-0000



Idler Bracket  
OK65-01113-0000  
Plastic Idler  
OK26-01731-0000  
Threaded Shaft  
OK58-01084-0002  
Nut  
0017-00103-0324  
Locking Pin  
0017-00007-0248  
Mounting Nuts (4)  
0017-00103-0333

Extension Spring  
OK58-01085-0000  
Spring Damper  
OK26-02055-0000

Leg Leveler Assembly  
(includes leveler bracket, pivot  
pin, stop nut, and leveling foot)  
AK58-00370-0000



AK26-00348-0000 - Qty. 2 - Green and yellow ground wire with spade lug on one end and ring terminal on the other. One goes from the IEC connector to the frame and the other from the line filter to the frame.

AK32-00160-0000 - Qty. 1 - External Power cable with ferrite.

AK65-00062-0000 - Qty. 1 - RG6 Coax cable 75"

AK58-00034-0001 - Qty. 1 - Main Power cable from DSP to Console

AK58-00224-0001 - Qty. 1 - Mov Filter cable has a two pin connector on one end and a terminal on the end of one green wire and two spade lugs at the end of a varistor spliced to the other green wire.

AK58-00263-0000 - Qty. 1 - Hi-Pot Jumper cable is a two pin connector with a green wire looped between both pins.

AK65-00043-0001 - Qty. 1 - Cable from MIB in console to Activity Zone

AK65-00047-0000 - Qty. 1 - Heart Rate Ergo Bar cable

AK65-00051-0000 - Qty. 1 - 20" C-Safe cable. From splitter to console.

AK65-00051-0001 - Qty. 1 - 65" C-Safe upright cable. Runs from the base to the splitter in the bridge assembly.

AK65-00073-0000 - Qty. 1 - Cable Assy: Power DSP (Dom. Low Voltage units only)

AK65-00073-0001 - Qty. 1 - Cable Assy: Power DSP; High Voltage (Domestic)

AK65-00073-0002 - Qty. 1 - Cable Assy: Power DSP; High Voltage (International)

AK65-00074-0000 - Qty. 1 - Home switch cable from home switch to Motor Controller.

AK65-00081-0000 - Qty. 1 - AC power cable with an IEC connector on one end and a ring terminal on the Green/Yellow wire and spade lugs on the brown and blue wires.

AK65-00094-0000 - Qty. 1 - Black and white wires with spade lug on each end.  
From line filter to IEC connector.

AK65-00095-0000 - Qty. 1 - Line filter to switch cable with a black and white  
wire that have spade lugs on one end and  
flag type spade lugs on the other.

AK65-00011-0001 - Qty. 1 - Harness assembly 120/60 20A  
(Domestic High Voltage units only).....consists of the  
following components:

- 1) AK26-00348-0000 Outlet/Gnd Jumper Cable Assy.
- 2) AK58-00224-0001 MOV Filter Cable Assy.
- 3) AK58-00263-0000 Hi Pot Jumper cable Assy.
- 4) AK65-00081-0000 AC Power cable assy.
- 5) AK65-00094-0000 IEC to filter cable assy.
- 6) AK65-00095-0000 Filter to switch cable assy.
- 7) 0017-00003-1015 Line filter 20A

AK65-00011-0004 - Qty. 1 - Harness assembly 120/60 20A  
(Domestic Low Voltage units only).....consists of the  
following components:

- 1) AK26-00348-0000 Outlet/Gnd Jumper Cable Assy.
- 2) AK58-00224-0001 MOV Filter Cable Assy.
- 3) AK58-00263-0000 Hi Pot Jumper cable Assy.
- 4) AK65-00081-0000 AC Power cable assy.
- 5) AK65-00094-0000 IEC to filter cable assy.
- 6) AK65-00115-0000 Filter/Inductor/Switch cable  
assy.
- 7) 0017-00003-1015 Line filter 20A



AK65-00011-0005 - Qty. 1 - Harness assembly 230/50 10A

(International units only) .....consists of the following components:

- 1) AK26-00348-0000 Outlet/Gnd Jumper Cable Assy.
- 2) AK58-00224-0001 MOV Filter Cable Assy.
- 3) AK58-00263-0000 Hi Pot Jumper cable Assy.
- 4) AK65-00081-0000 AC Power cable assy.
- 5) AK65-00094-0000 IEC to filter cable assy.
- 6) AK65-00116-0000 Filter/Inductor/Switch cable assy.
- 7) 0017-00003-098 Line filter 10A