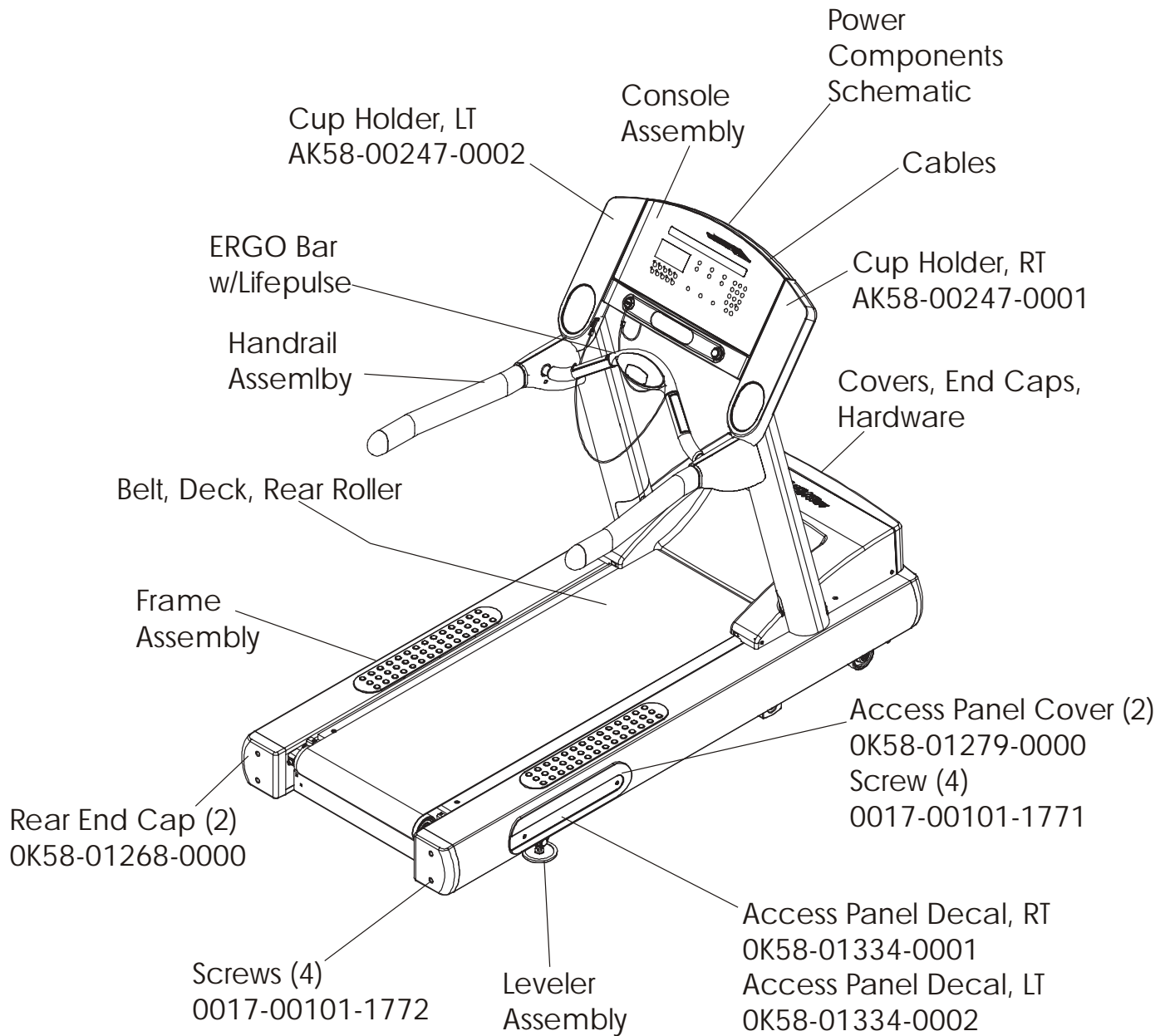


**Treadmill 95Ti**  
**General Assembly**

**95T-0XXXX-02**  
**S/N TTJ100000**



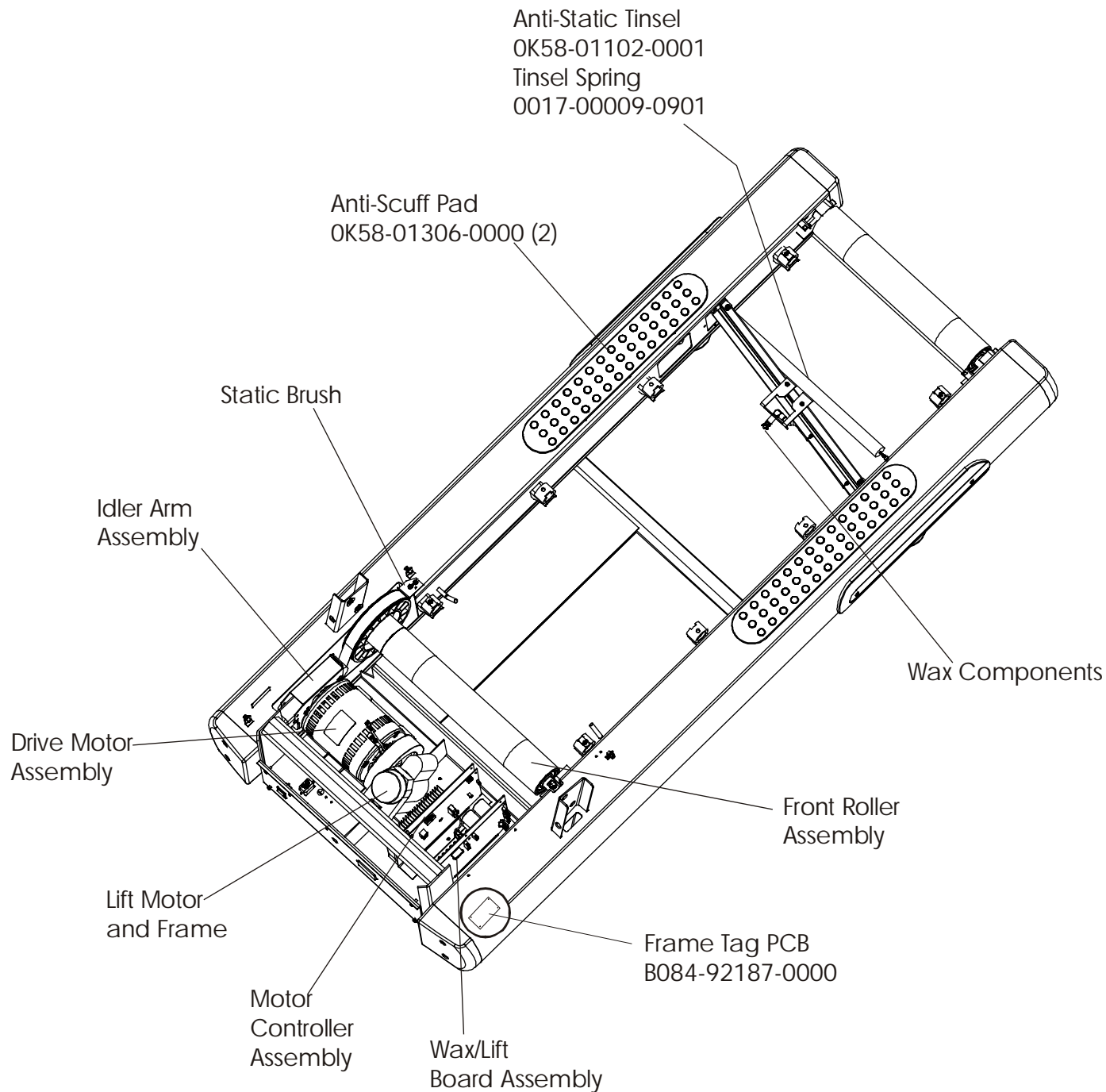
Touch-Up Paint	Color	Container
0017-00008-0196	Silver Bullet	Bottle
0017-00008-0197	Silver Bullet	Spray Can
0017-00008-0198	Stealth Gray	Bottle
0017-00008-0199	Stealth Gray	Spray Can

Manual/Video	Part Number
Operation Manual, Eng	M051-00K58-A081
Service Manual	M051-00K58-A097
Installation Video	M051-00K58-A098
Service Video	M051-00K58-A099

# Treadmill 95Ti

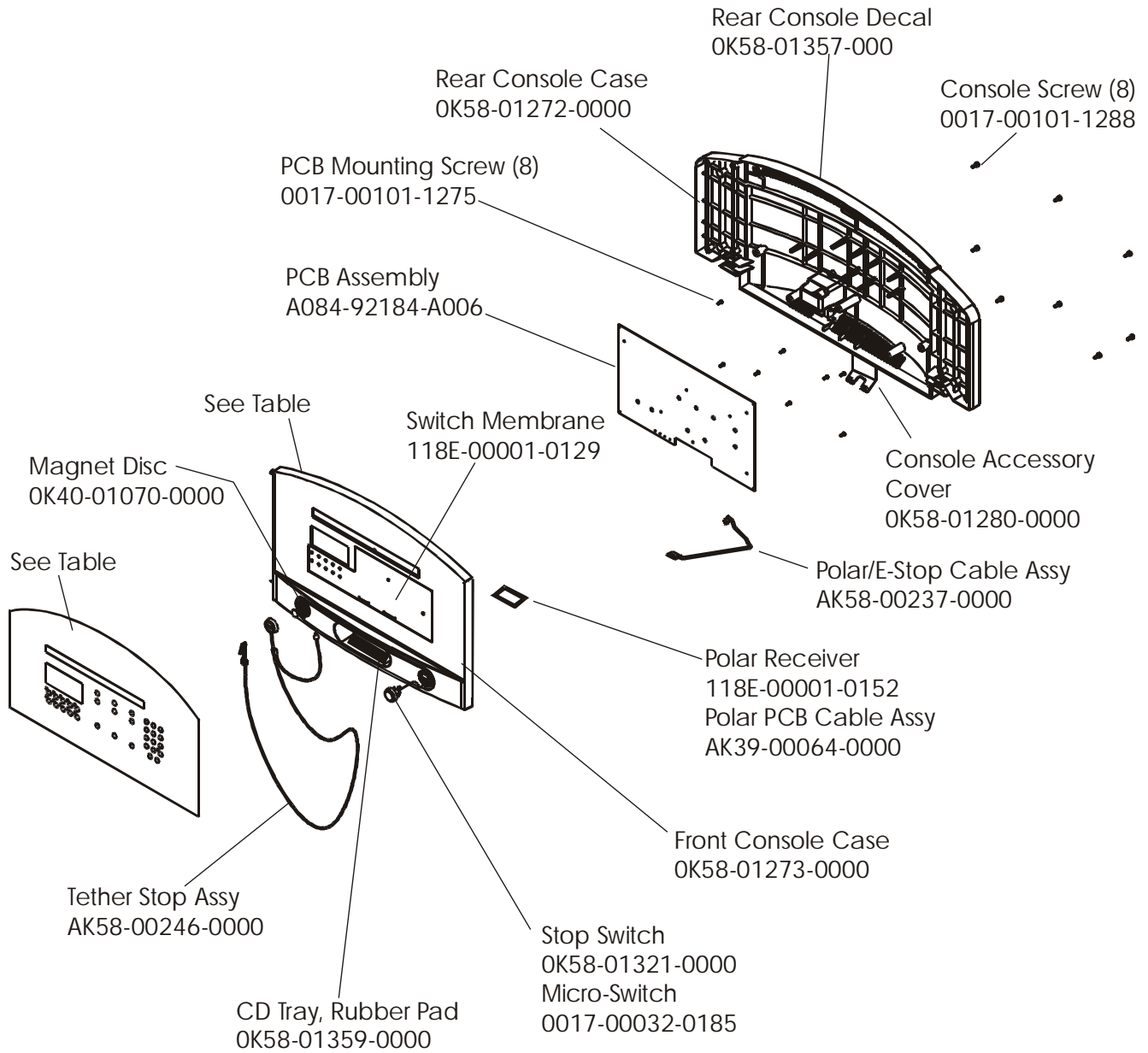
## Frame Assembly

95T-0XXXX-02  
S/N TTJ100000



**Treadmill 95Ti**  
**Console Assembly**

**95T-0XXXX-02**  
**S/N TTJ100000**



Console Assembly	Overlay Switch Bezel Assy	Overlay	Language
AK58-00197-0001	AK58-00203-0001	OK58-01298-0001	Eng/Met
AK58-00197-0002	AK58-00203-0001	OK58-01298-0001	Eng/Eur
AK58-00197-0003	AK58-00203-0003	OK58-01298-0003	German
AK58-00197-0004	AK58-00203-0004	OK58-01298-0004	Spanish
AK58-00197-0006	AK58-00203-0006	OK58-01298-0006	Japanese
AK58-00197-0007	AK58-00203-0007	OK58-01298-0007	French
AK58-00197-0008	AK58-00203-0008	OK58-01298-0008	Italian
AK58-00197-0009	AK58-00203-0009	OK58-01298-0009	Dutch
AK58-00197-00010	AK58-00203-00010	OK58-01298-00010	Portuguese
AK58-00197-00011	AK58-00203-00011	OK58-01298-00011	Chinese

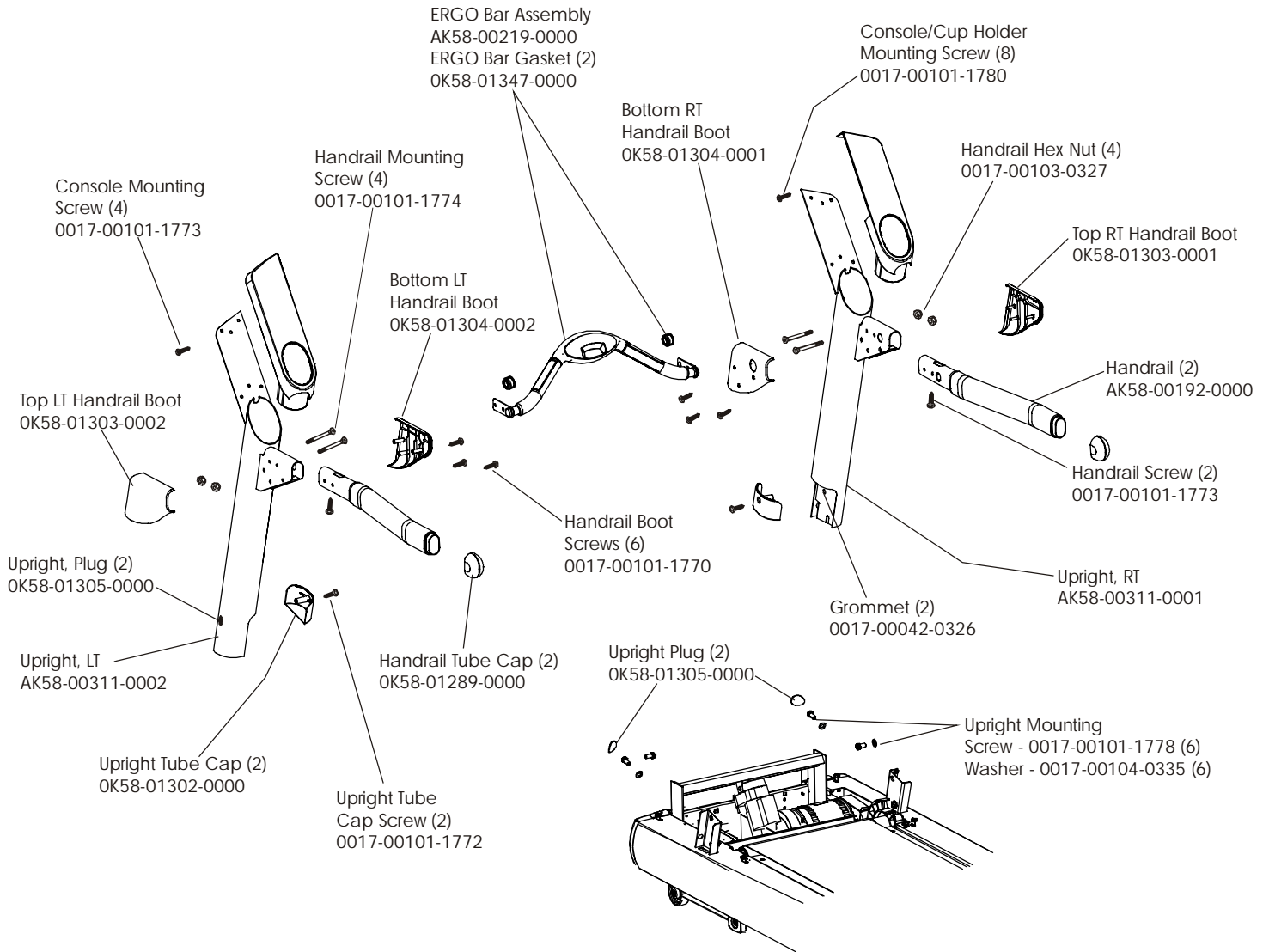
# Treadmill 95Ti

## Handrail Assembly

95T-0XXXX-02  
S/N TTJ100000

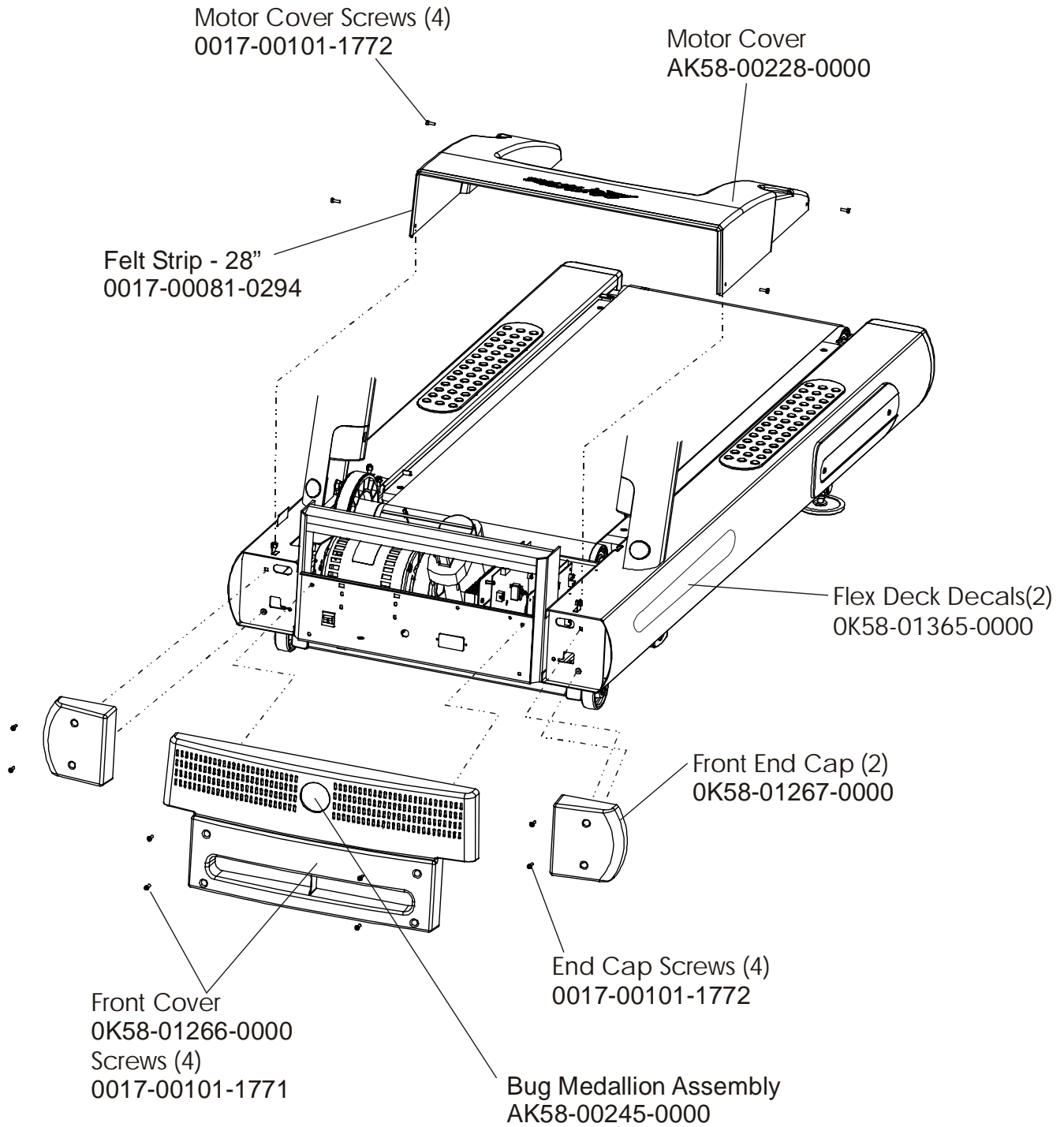
### Hardware Bag Assembly

AK58-00226-0000



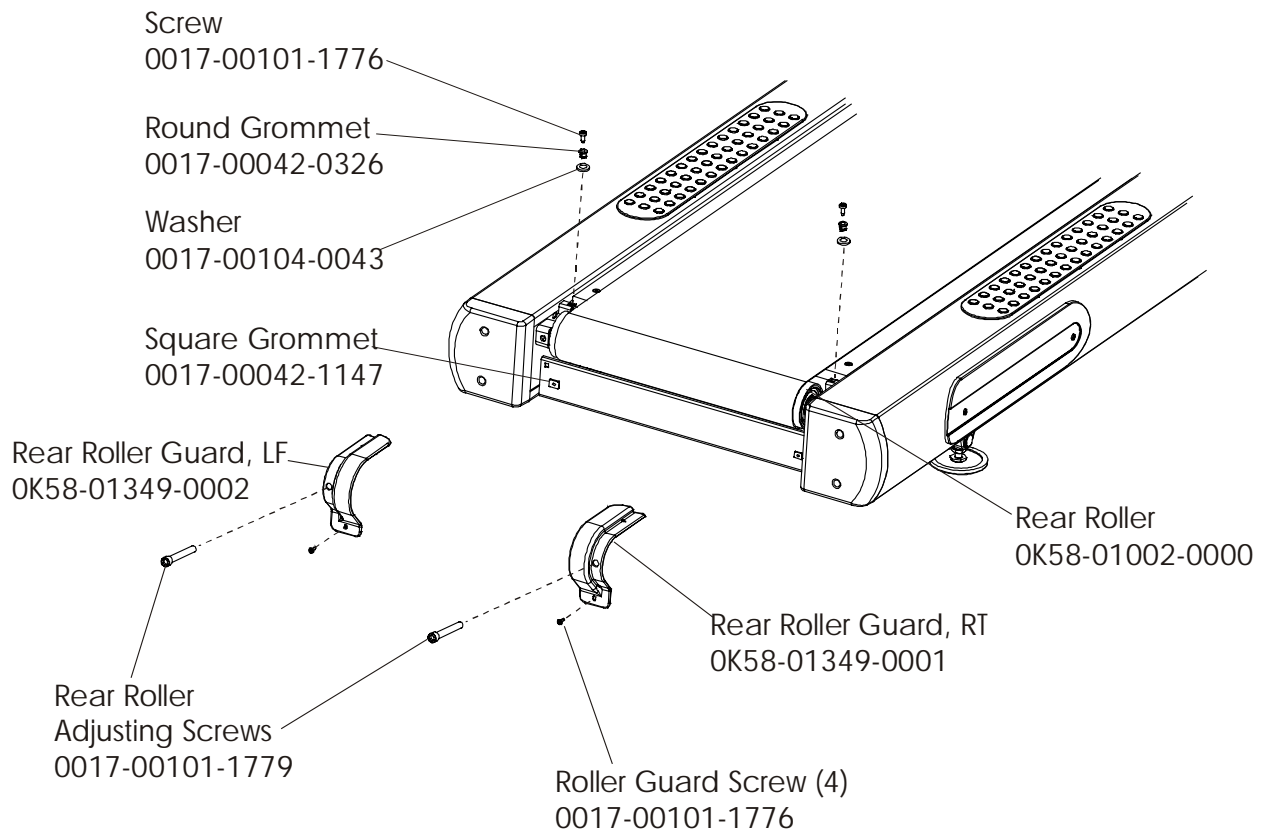
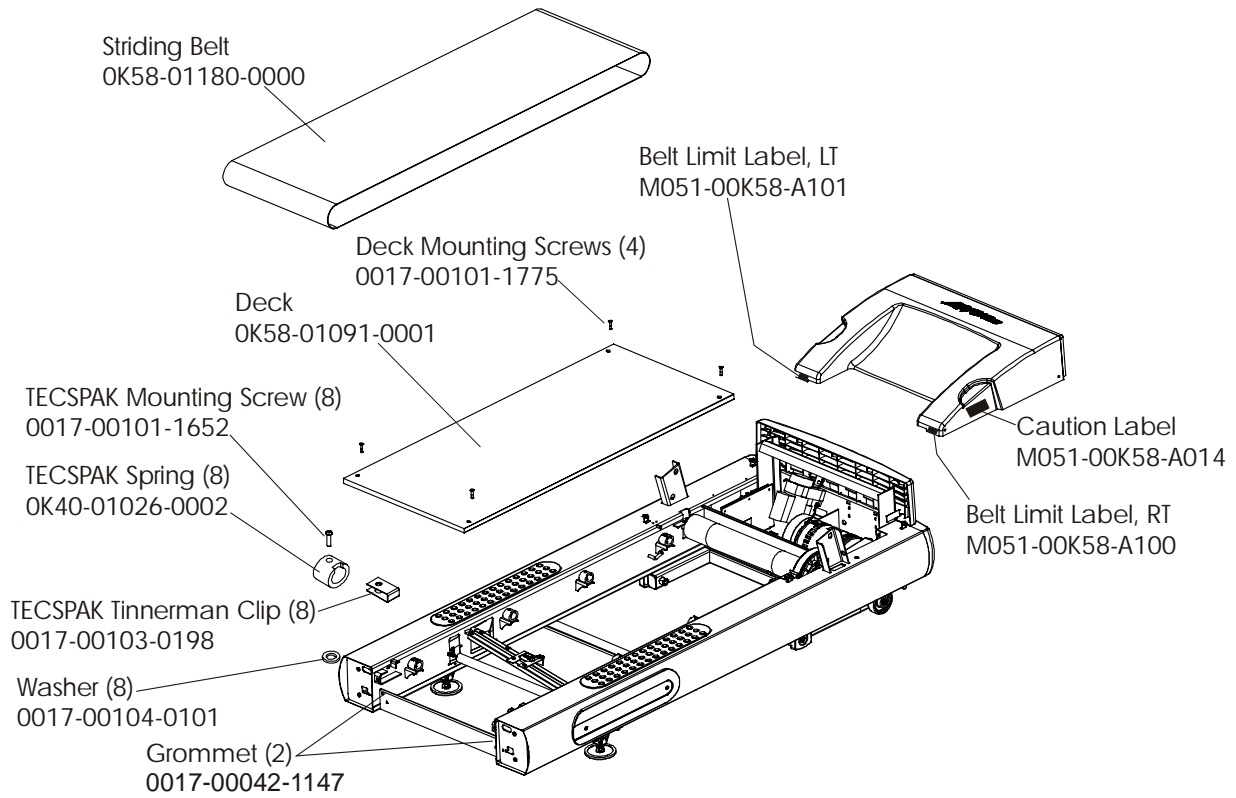
**Treadmill 95Ti**  
**Covers, End Caps, Hardware**

**95T-0XXXX-02**  
**S/N TTJ100000**



**Treadmill 95Ti**  
**Belt, Deck, Rear Roller**

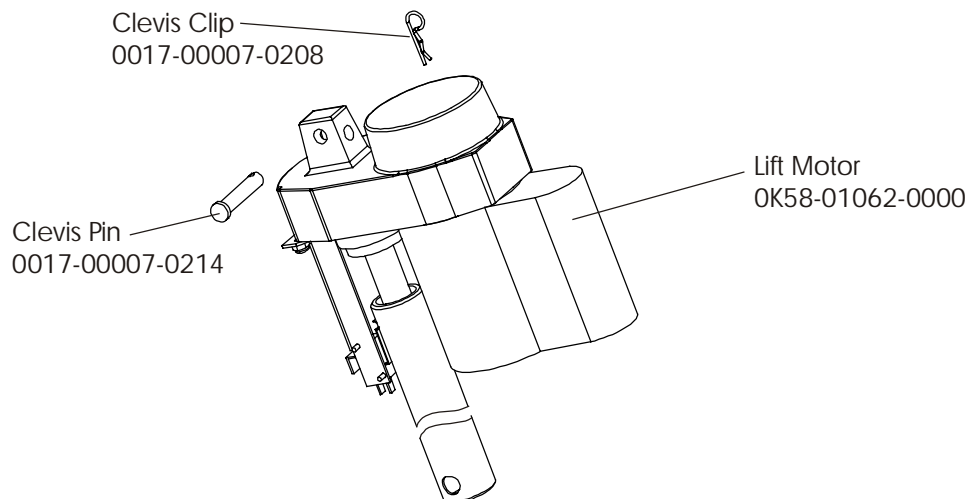
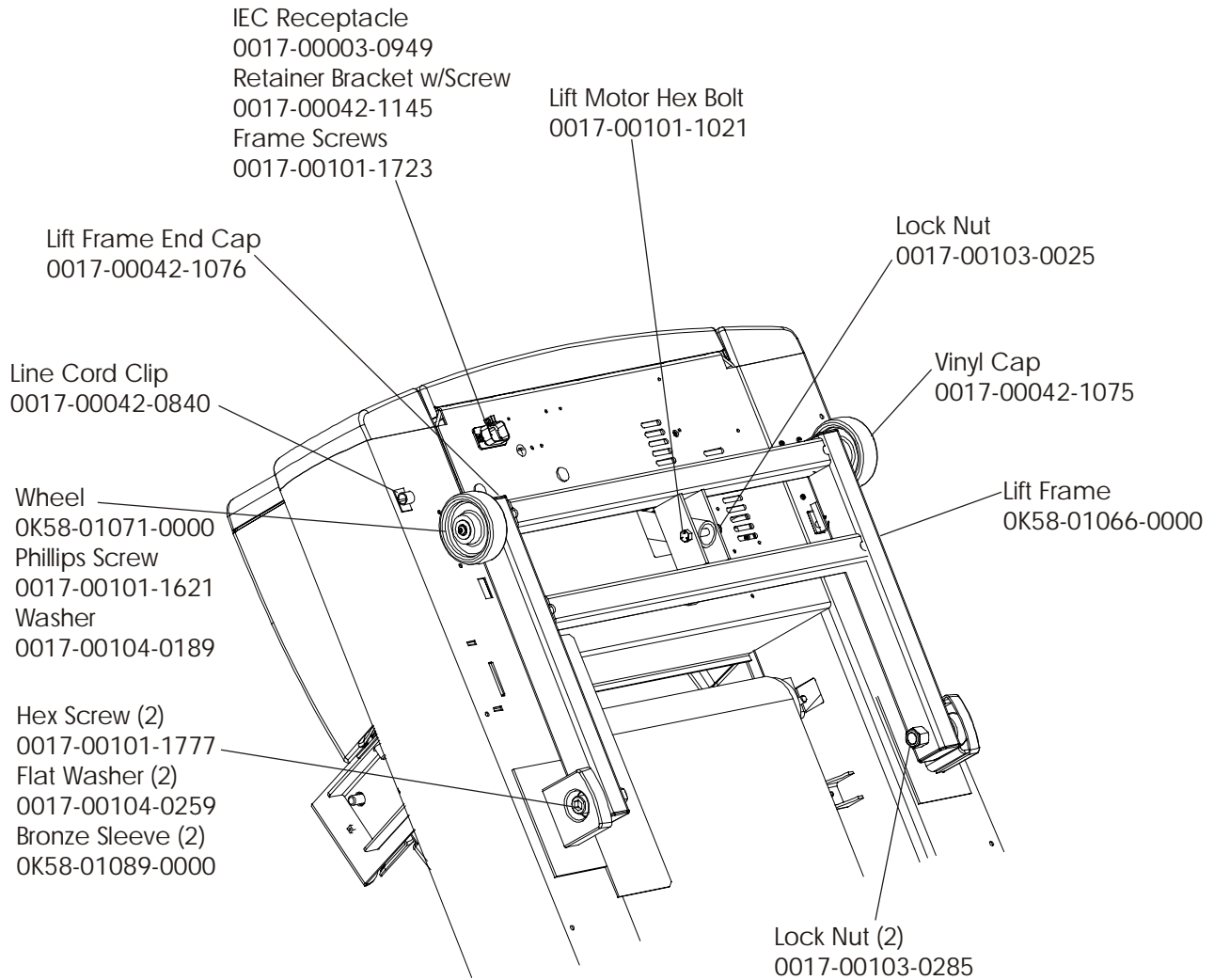
**95T-0XXXX-02**  
**S/N TTJ100000**



# Treadmill 95Ti

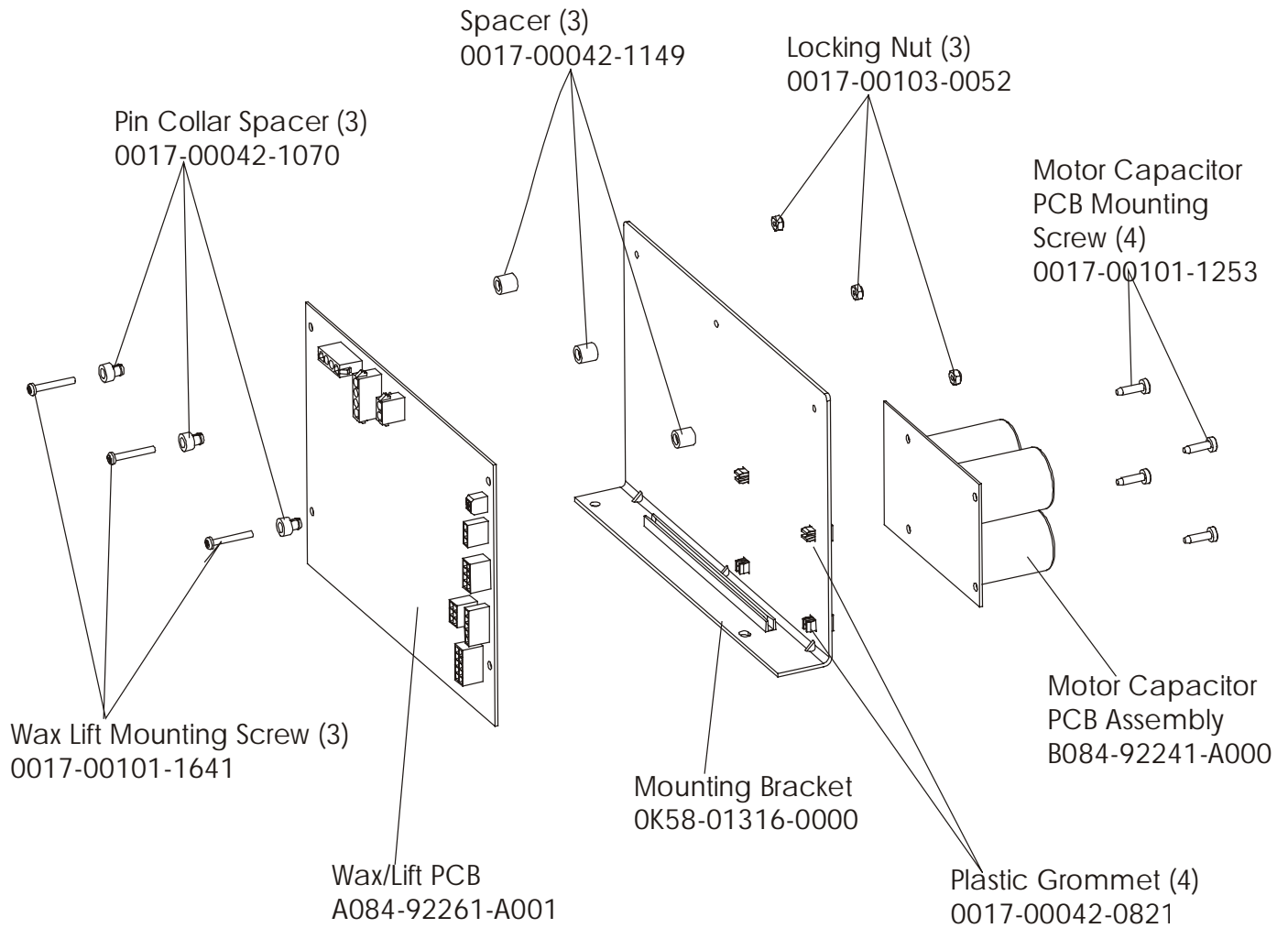
## Lift Motor and Frame

95T-0XXXX-02  
S/N TTJ100000



**Treadmill 95Ti**  
**Wax/Lift Assembly**

**95T-0XXXX-02**  
**S/N TTJ100000**

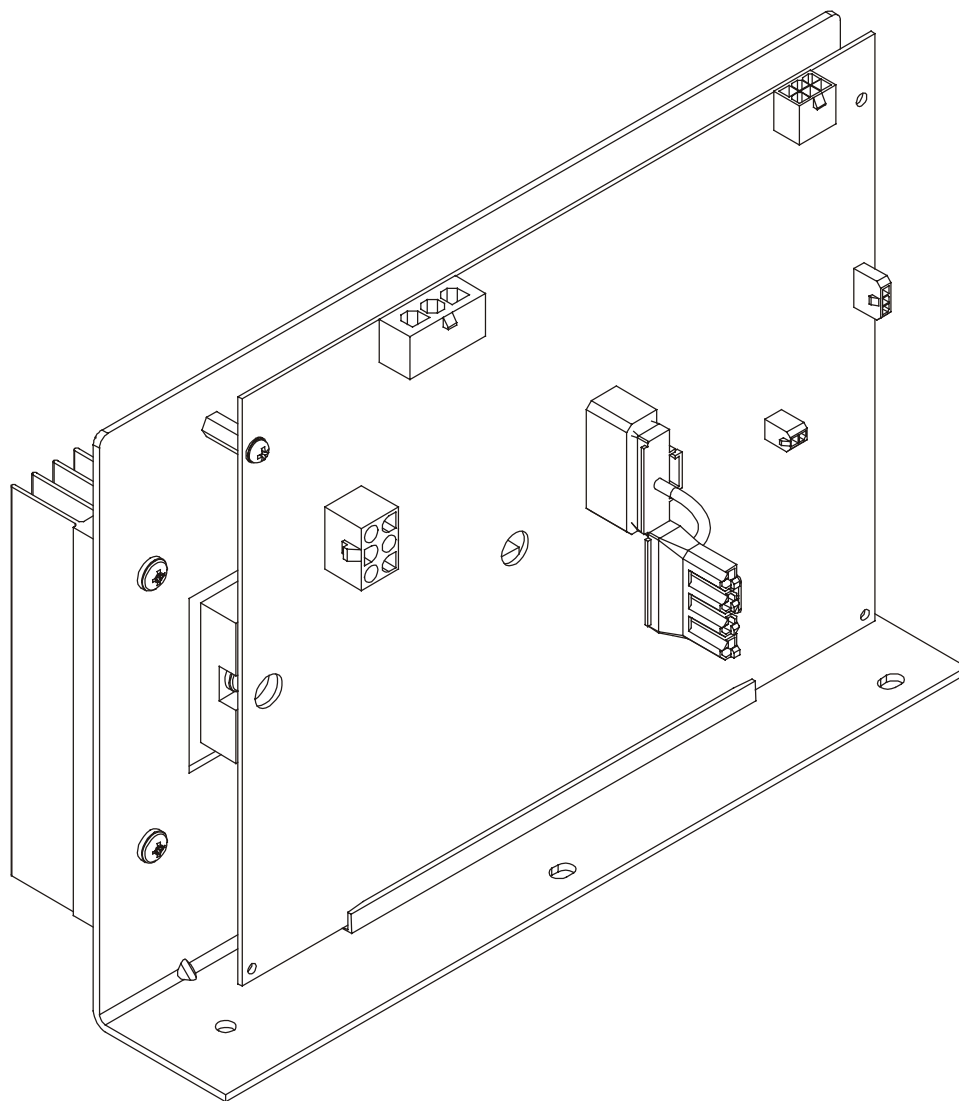




**Treadmill 95Ti**  
**Motor Controller Assembly**

**95T-0XXXX-02**  
**S/N TTJ100000**

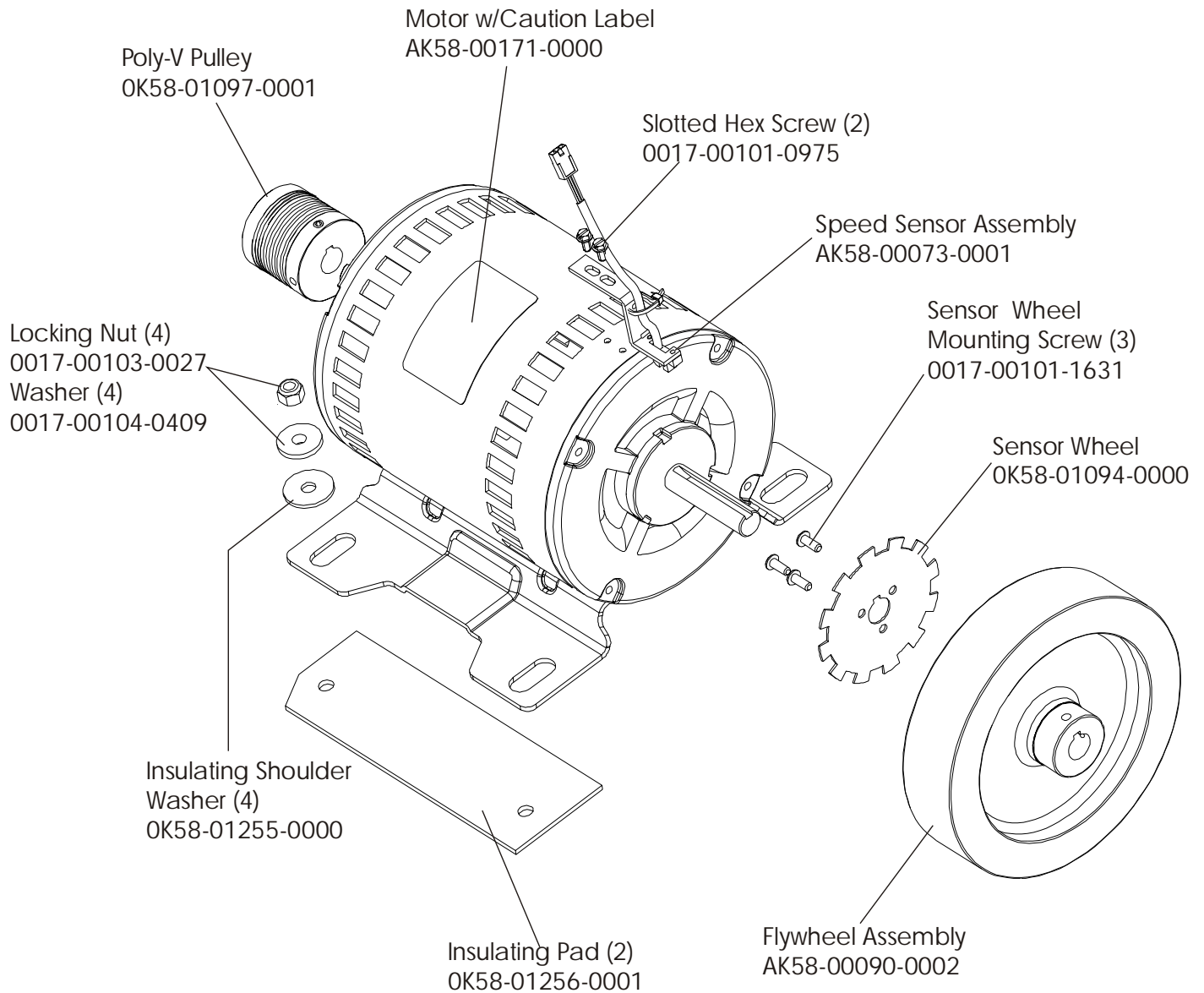
AK58-00242-0000 (120v/60Hz)  
AK58-00242-0001 (230v/50Hz)



# Treadmill 95Ti

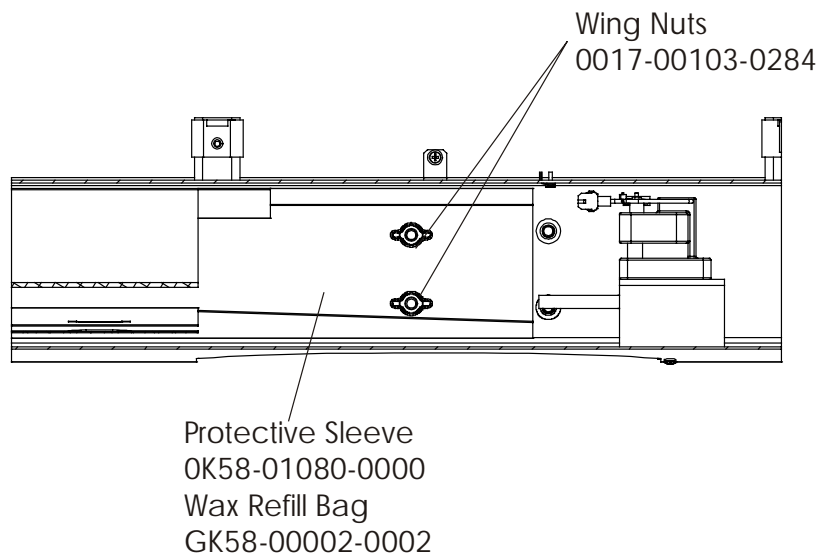
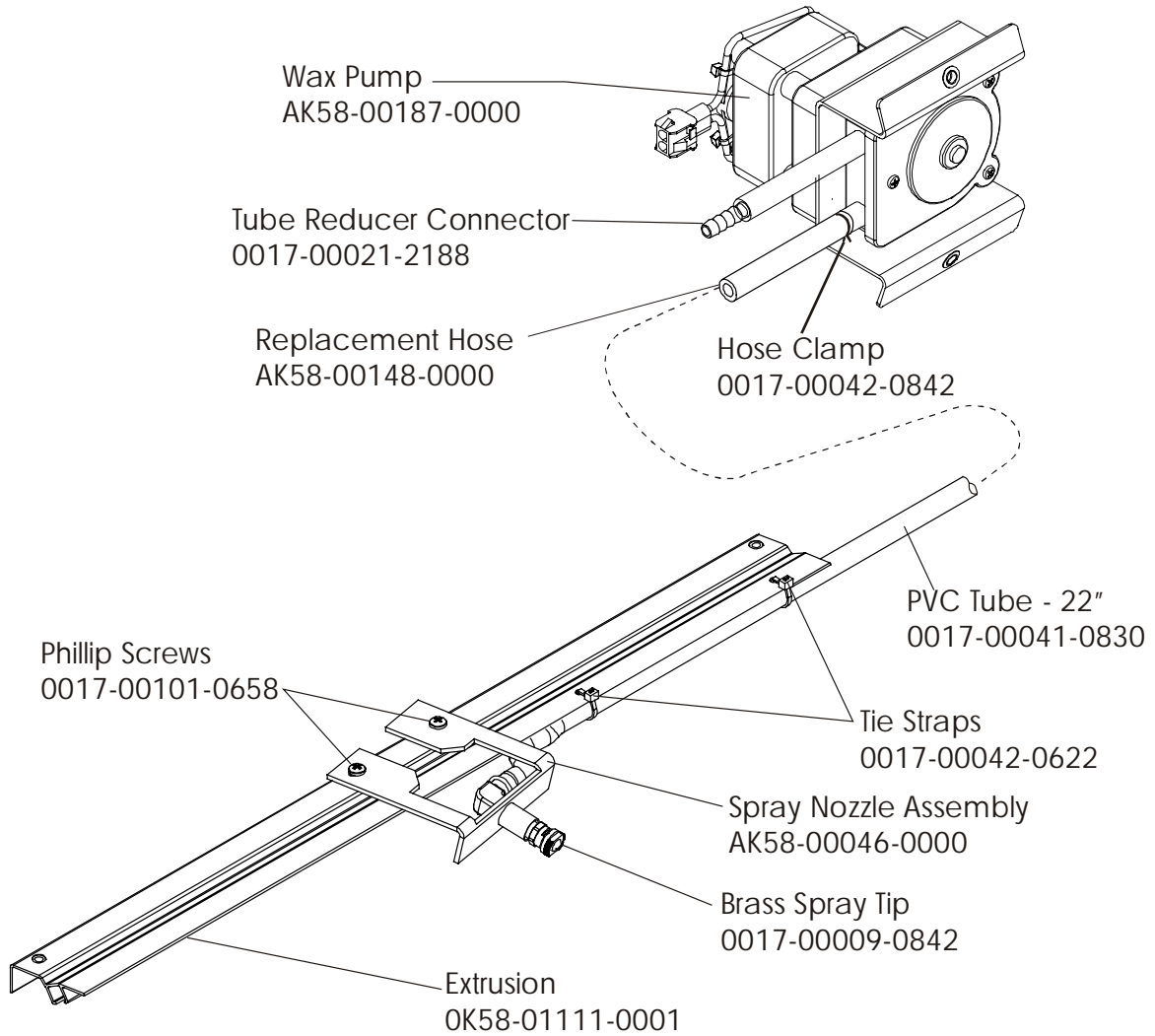
## Drive Motor Assembly

95T-0XXXX-02  
S/N TTJ100000



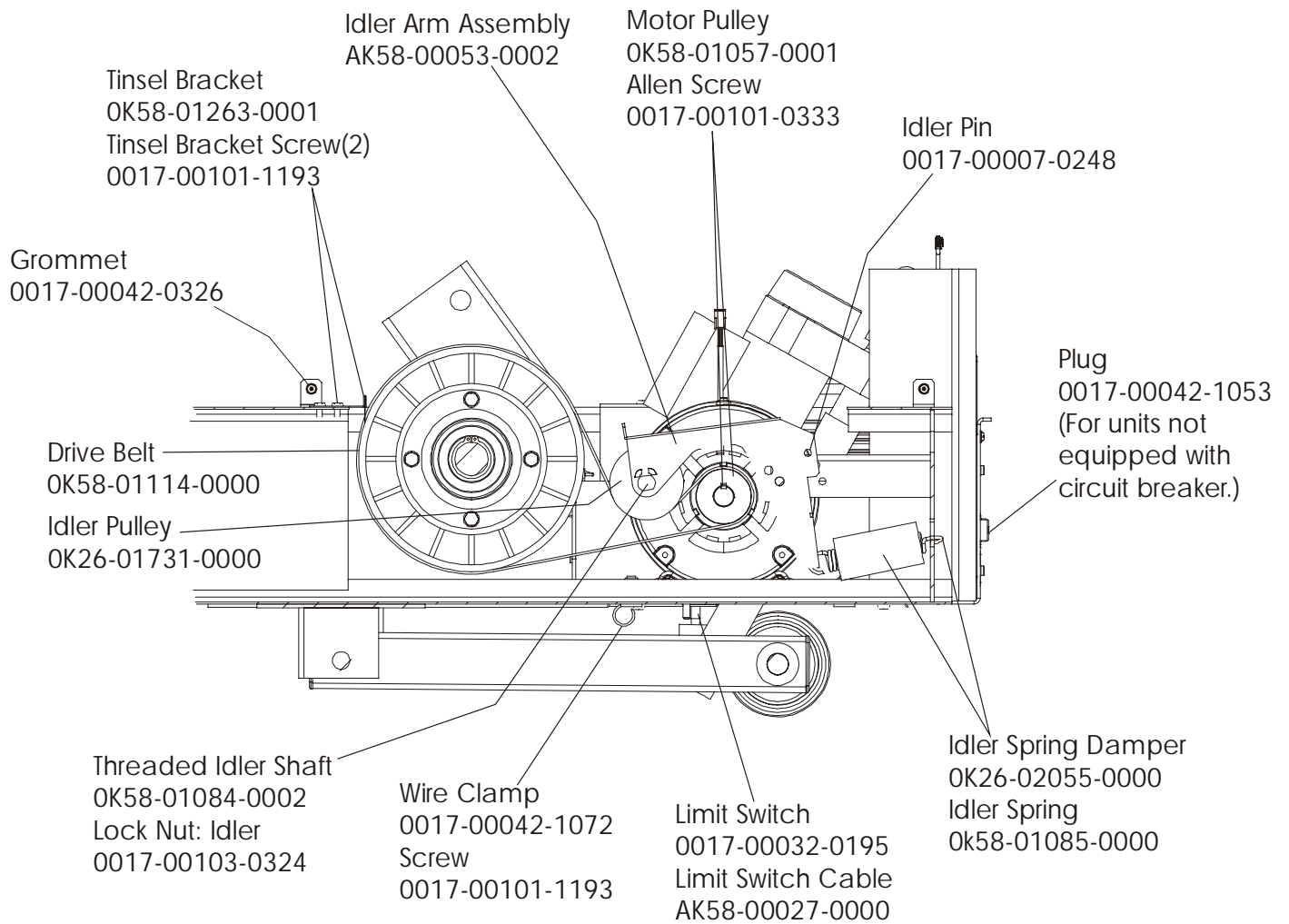
**Treadmill 95Ti**  
**Wax Components**

**95T-0XXXX-02**  
**S/N TTJ100000**



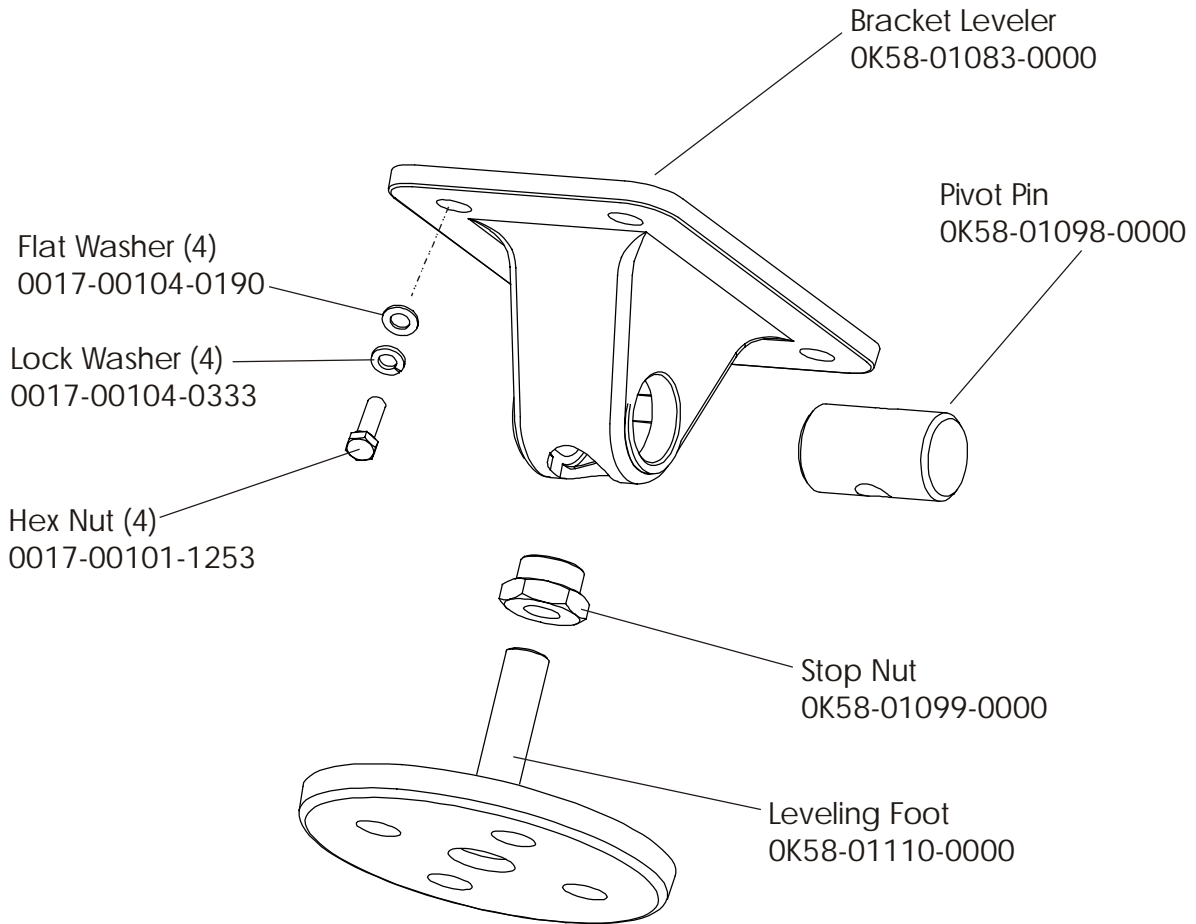
**Treadmill 95Ti**  
**Idler Arm Assembly & Static Brush**

**95T-0XXXX-02**  
**S/N TTJ100000**



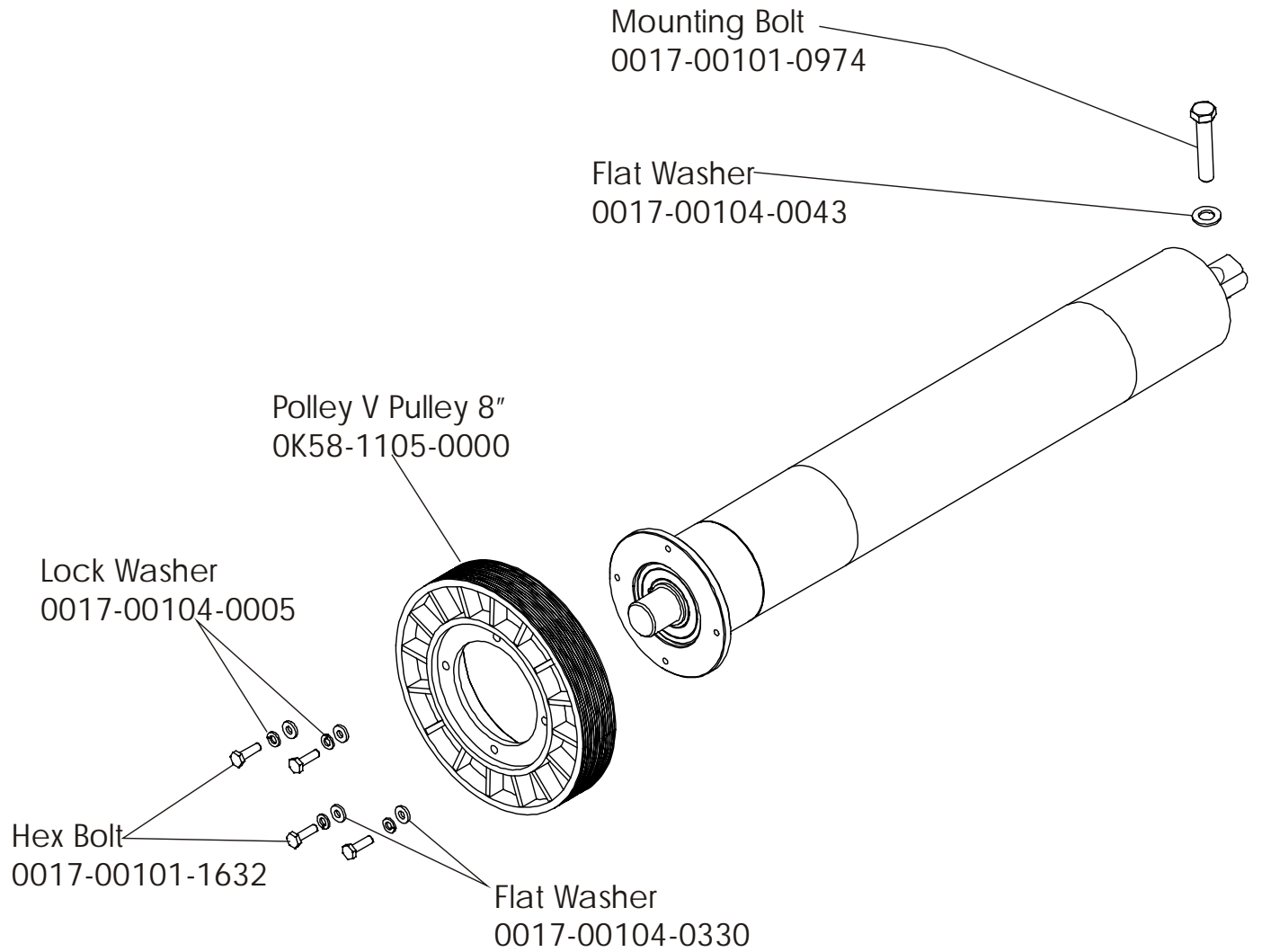
**Treadmill 95Ti**  
**Leveler Assembly AK58-00052-0000**

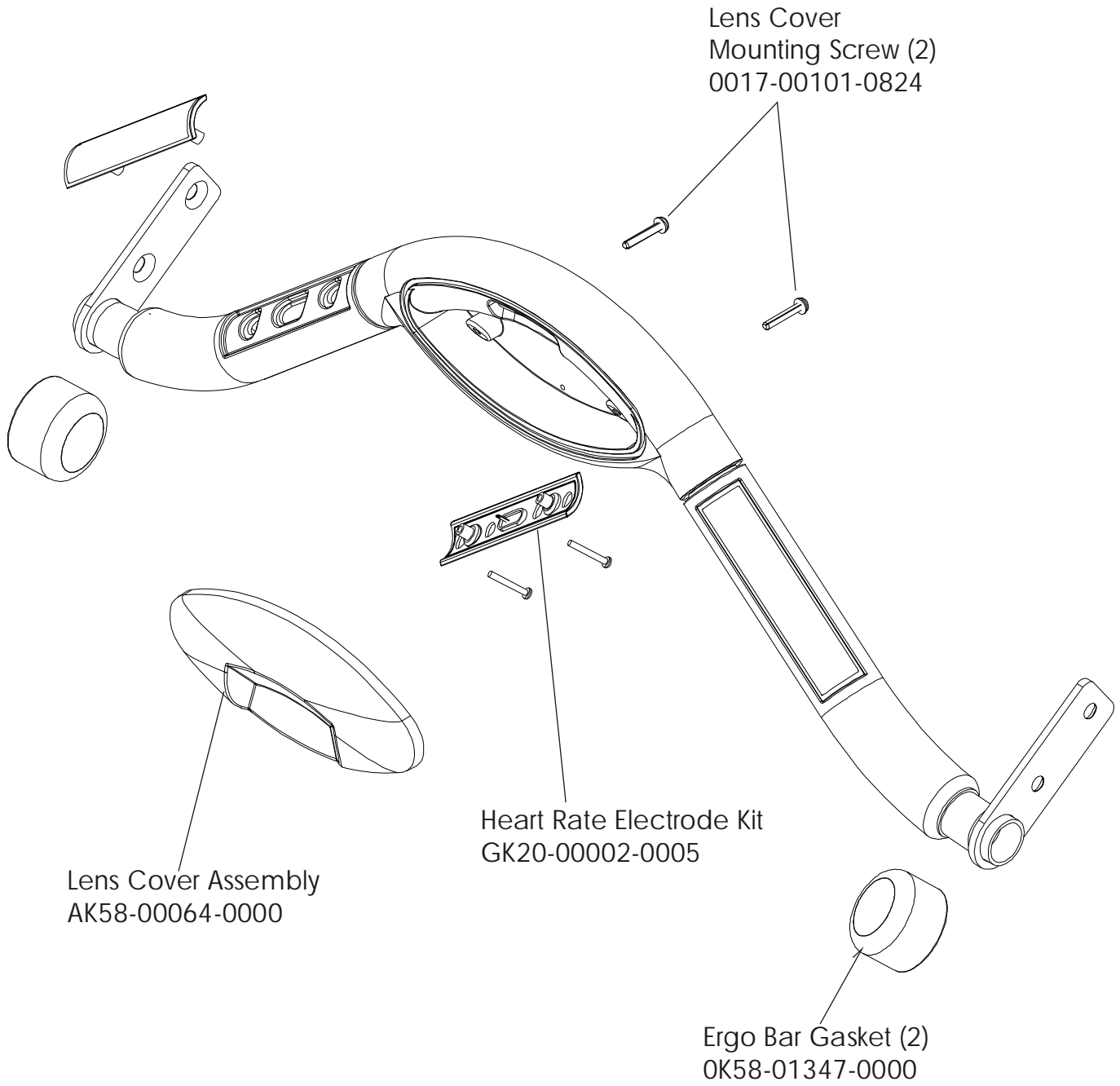
**95T-0XXXX-02**  
**S/N TTJ100000**



**Treadmill 95Ti**  
**Front Roller Assy AK58-00066-0000**

**95T-0XXXX-02**  
**S/N TTJ100000**

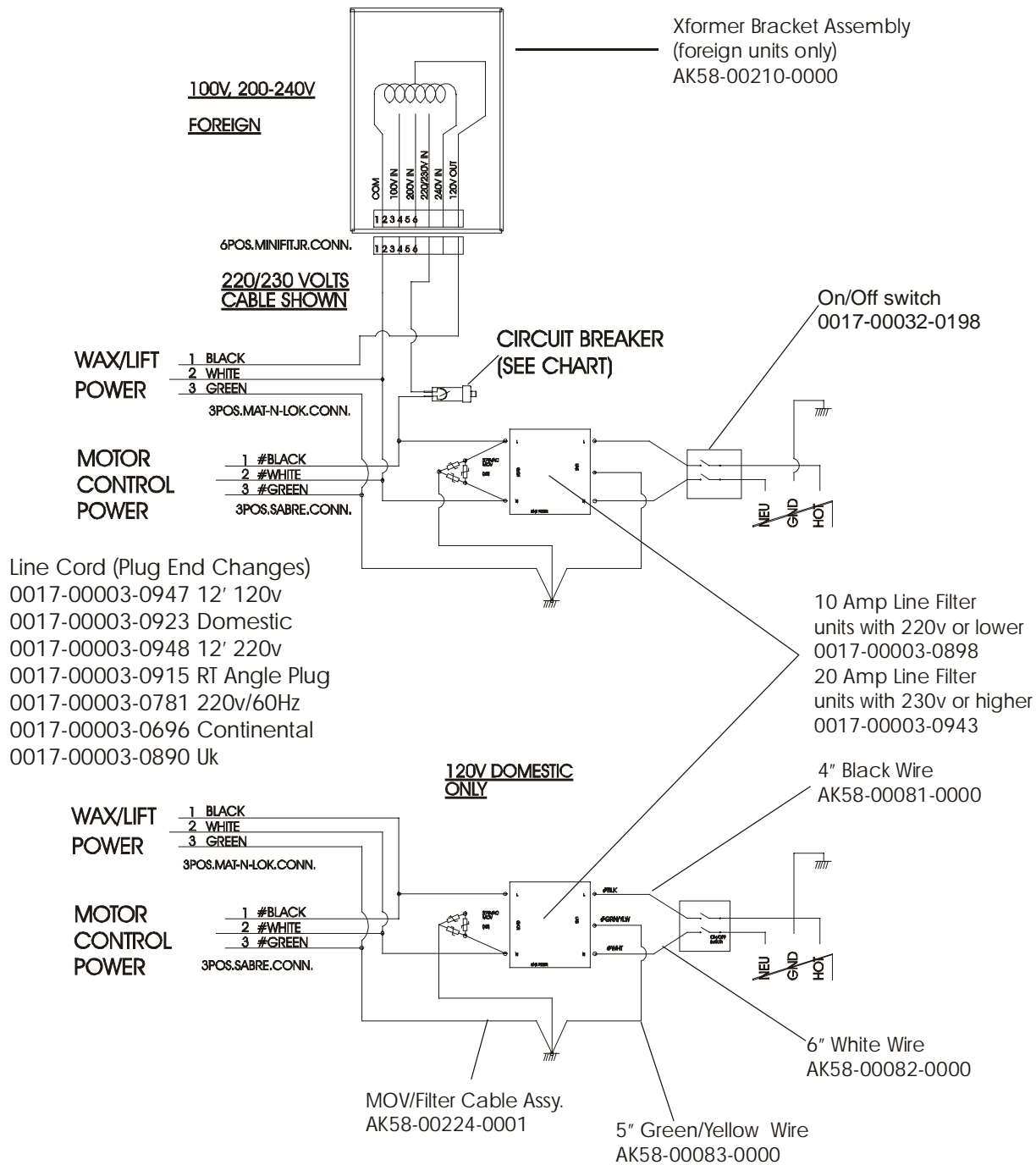




# Treadmill 95Ti

## Power Components Schematic

**95T-0XXXX-02**  
**S/N TTJ100000**



Voltage	Power Cable Part No.	Breaker AMP/Part No.
100v	AK58-00258-0001	4 AMP/0017-00003-0950
200v	AK58-00258-0002	2 AMP/0017-00003-0626
220/230v	AK58-00258-0003	2 AMP/0017-00003-0626
240+	AK58-00258-0004	2 AMP/0017-00003-0626



