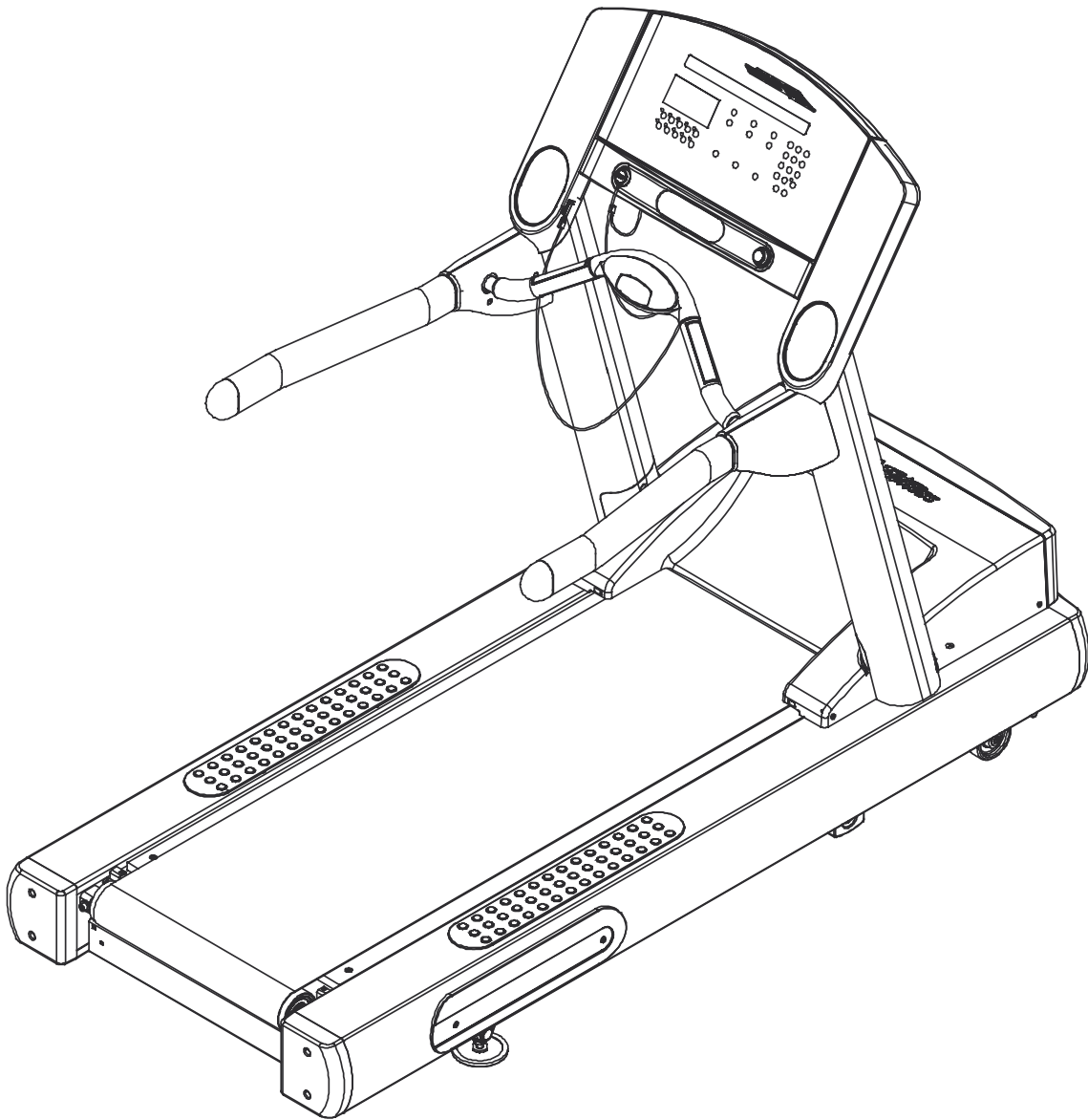


# *Life Fitness*

**Arctic Silver 95Ti Treadmill**



**Customer Support Services**  
***PARTS MANUAL*** rev. 04/08/05

**ARCTIC SILVER 95Ti**  
**REFERENCES**

**95T-0XXX-03**  
**S/N ATT100000 and up**

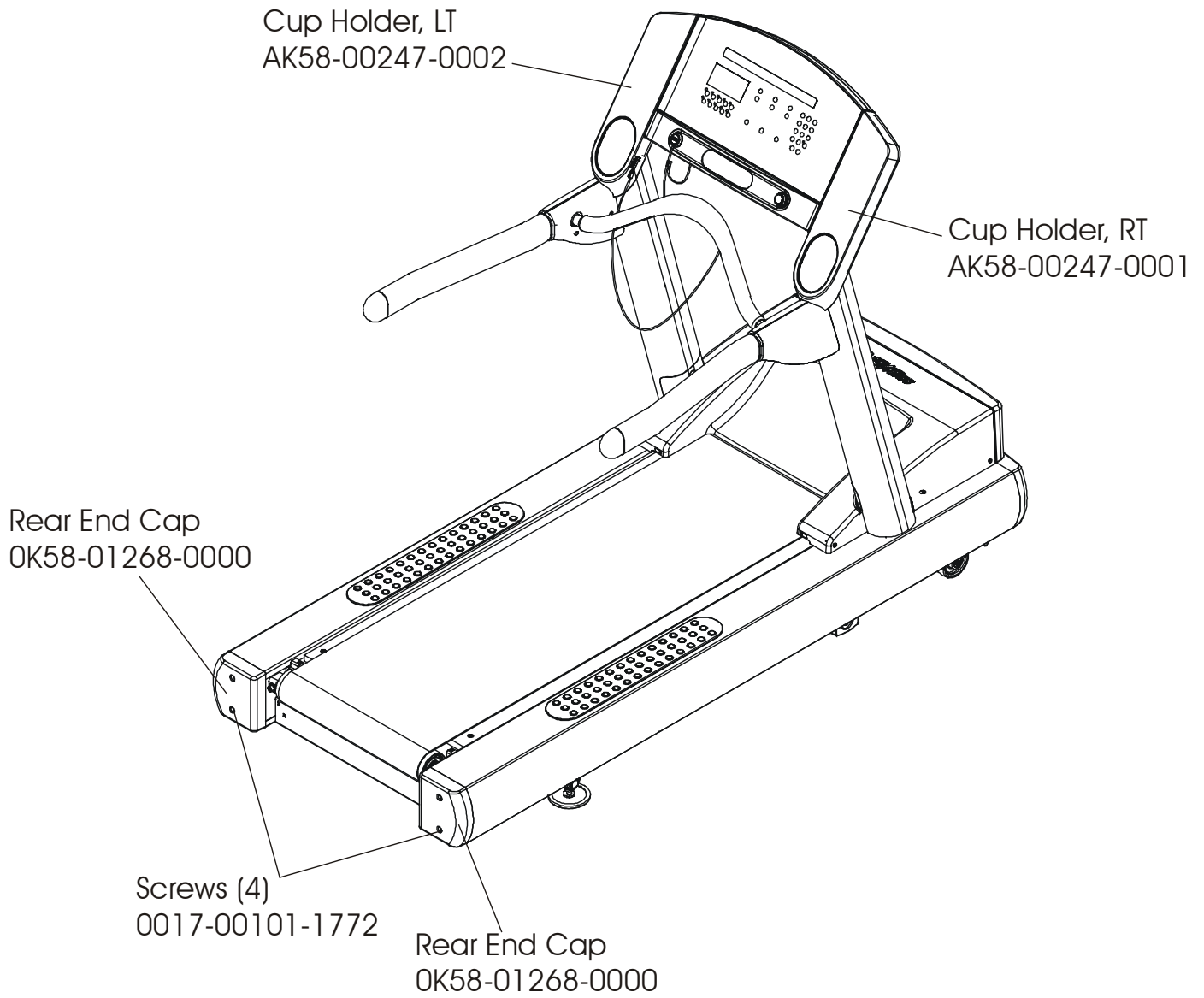
---

OPERATION MANUAL	M051-00K58-A177
SERVICE MANUAL	M051-00K58-A159
HARDWARE BAG	AK58-00226-0000
TOUCH UP PAINT: SPRAY CAN .5 OZ BOTTLE W/APPLICATOR .33 OZ PEN	0017-00008-0204 0017-00008-0205 0017-00008-0206
INSTALLATION VIDEO	M051-00K58-A160
SERVICE VIDEO	M051-00K58-A161

	Page
REAR ENDCAPS, AND CUP HOLDERS .....	4
SCUFF PAD, TINSEL AND FRAME TAG BOARD .....	5
CONSOLE AND RELATED COMPONENTS.....	6
UPRIGHTS,HANDRAILS AND ERGO BAR .....	7
MOTOR COVER, FRONT COVER AND ENDCAPS .....	8
BELT, DECK AND REAR ROLLER.....	9
LIFT FRAME AND MOTOR .....	10
WAX/LIFT ASSEMBLY .....	11
MOTOR CONTROLLER ASSEMBLY.....	12
DRIVE MOTOR ASSEMBLY .....	13
IDLER ARM ASSEMBLY AND STATIC BRUSH.....	14
LEG LEVELER ASSEMBLY .....	15
FRONT ROLLER ASSEMBLY .....	16
ERGO BAR WITH LIFE PULSE.....	17
POWER COMPONENTS SCHEMATIC .....	18
CABLES .....	19

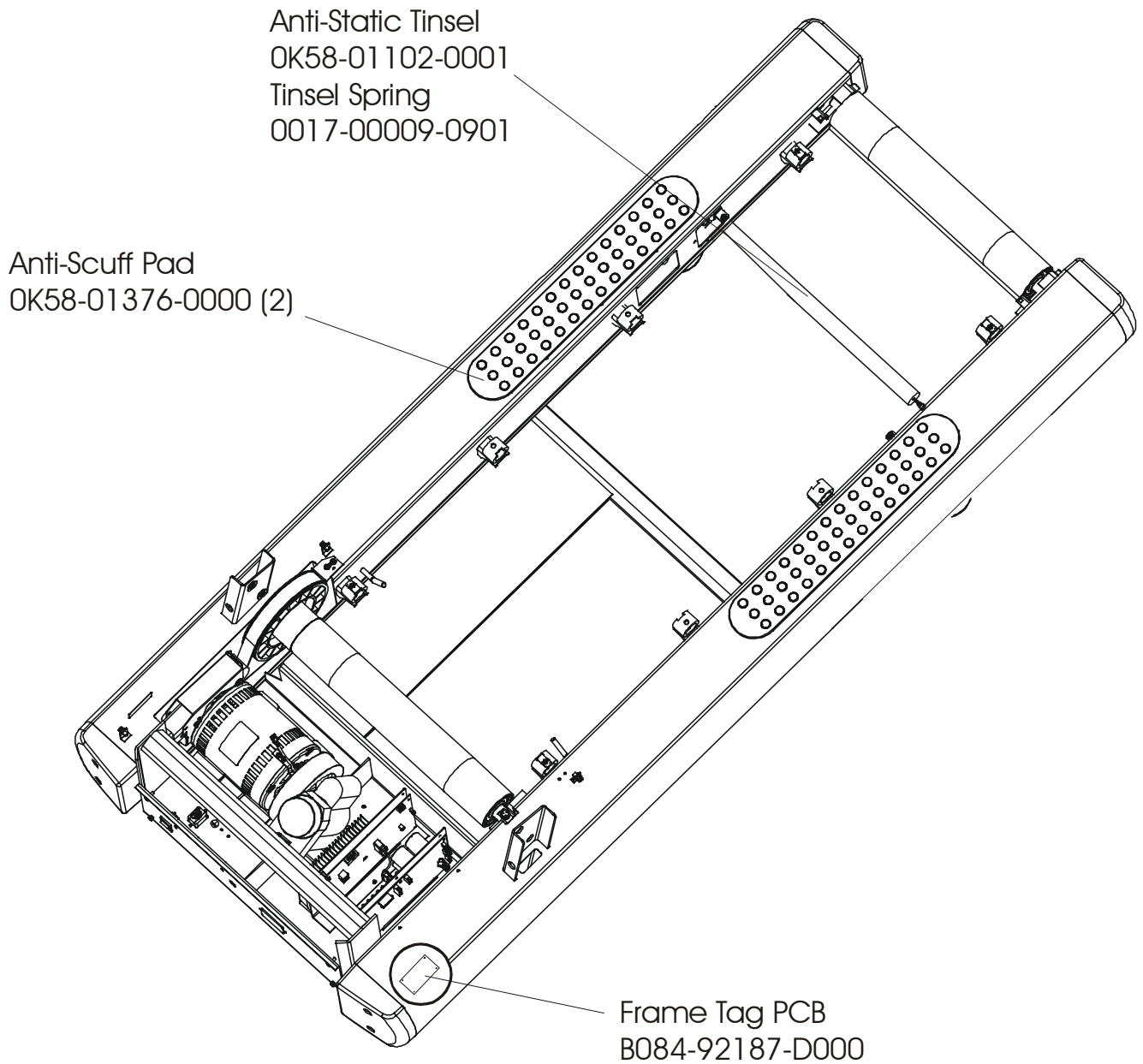
**ARCTIC SILVER 95Ti**  
**Rear Endcaps, and Cup Holders**

**95T-0XXX-03**  
**S/N ATT100000 and up**



**ARCTIC SILVER 95Ti**  
**Scuff Pad, Tinsel and Frame Tag Bd.**

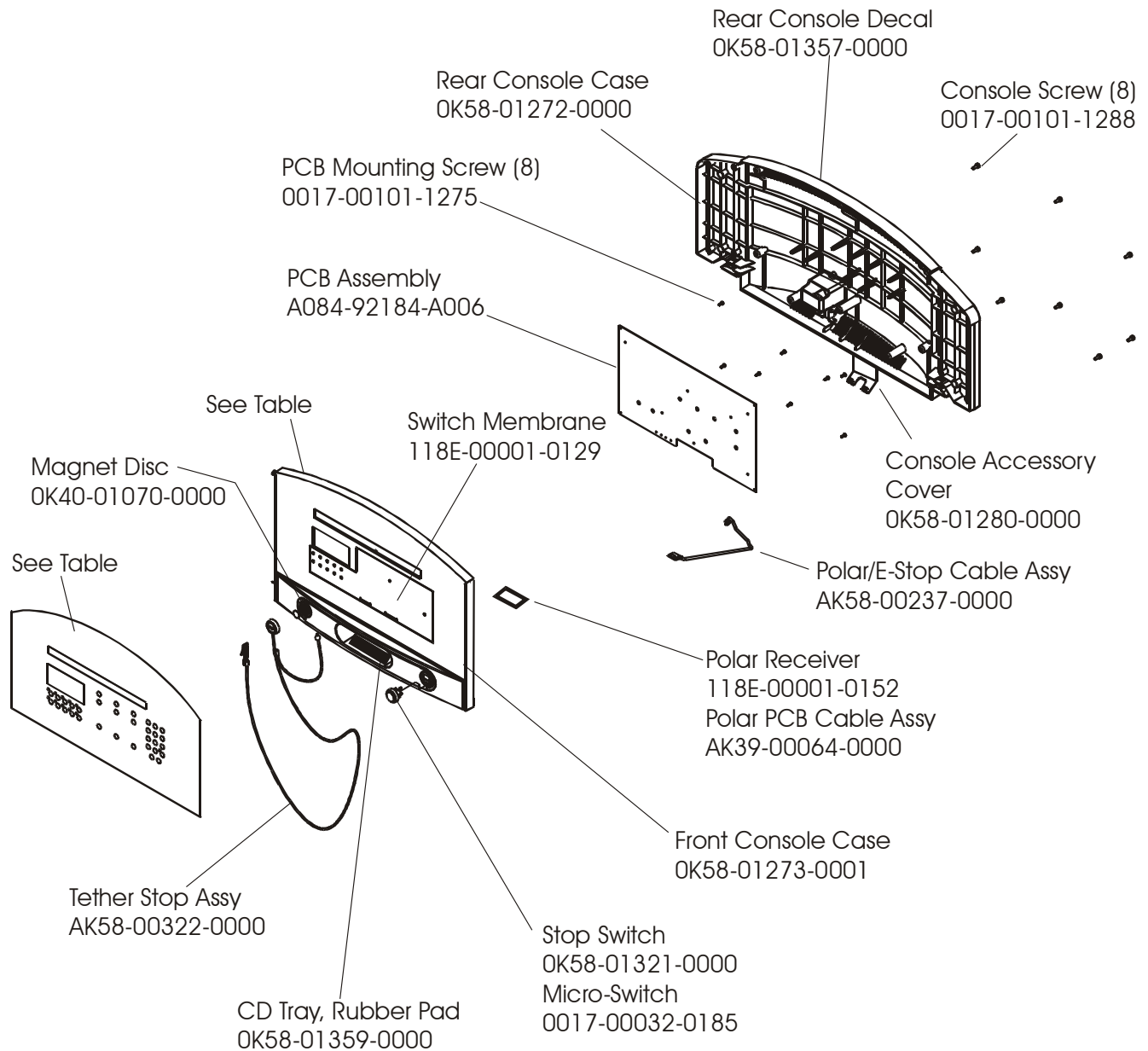
**95T-0XXX-03**  
**S/N ATT100000 and up**



# ARCTIC SILVER 95Ti

## Console and Related Components

**95T-0XXX-03**  
**S/N ATT100000 and up**

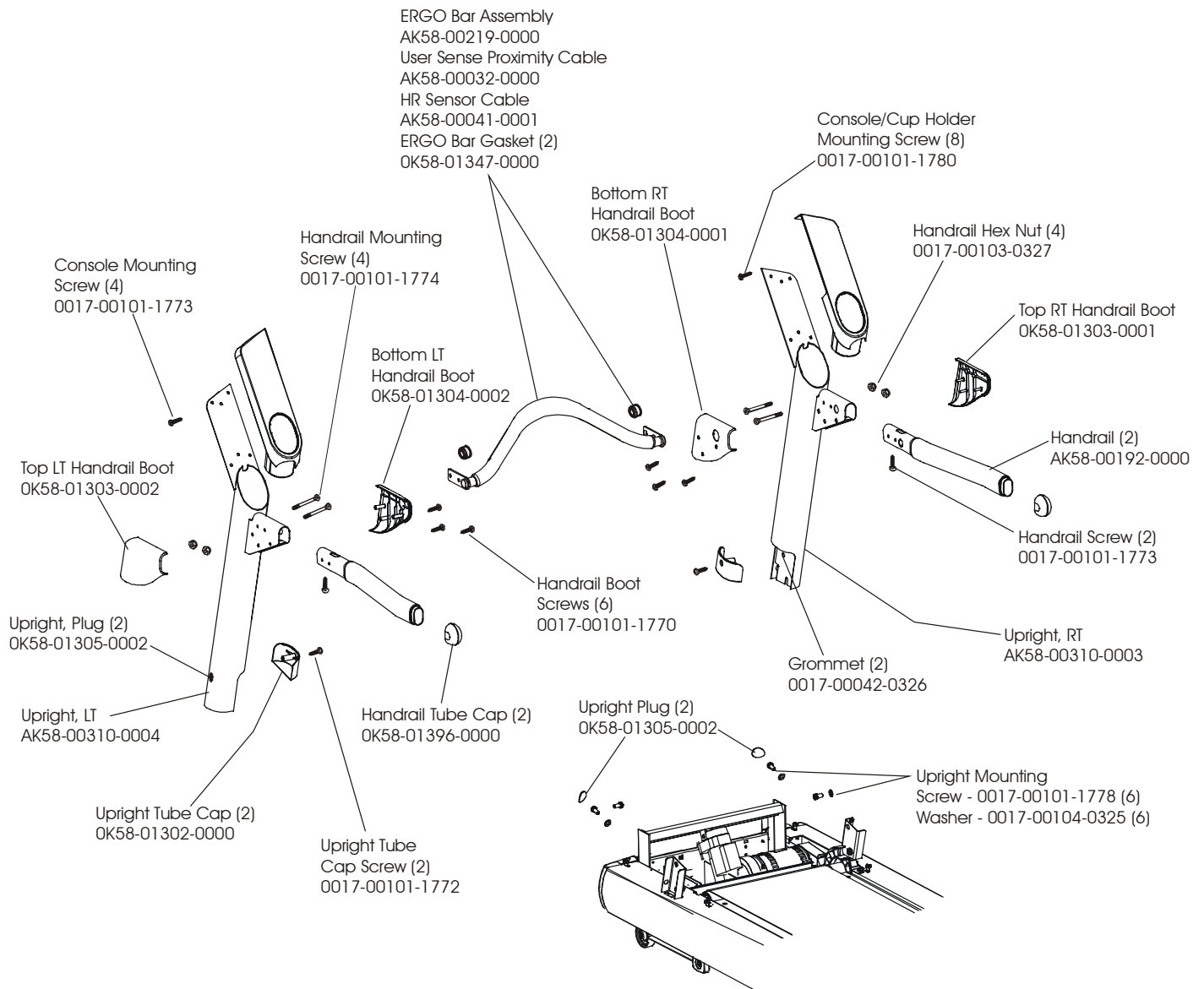


Console Assembly	Overlay/Bezel/Switch Assy.	Overlay	Language
AK58-00403-0001	AK58-00203-0001	OK58-01298-0001	Eng/Met
AK58-00403-0002	AK58-00203-0001	OK58-01298-0001	Eng/Eur
AK58-00403-0003	AK58-00203-0003	OK58-01298-0003	German
AK58-00403-0004	AK58-00203-0004	OK58-01298-0004	Spanish
AK58-00403-0006	AK58-00203-0006	OK58-01298-0006	Japanese
AK58-00403-0007	AK58-00203-0007	OK58-01298-0007	French
AK58-00403-0008	AK58-00203-0008	OK58-01298-0008	Italian
AK58-00403-0009	AK58-00203-0009	OK58-01298-0009	Dutch
AK58-00403-0010	AK58-00203-0010	OK58-01298-0010	Portuguese

# ARCTIC SILVER 95Ti

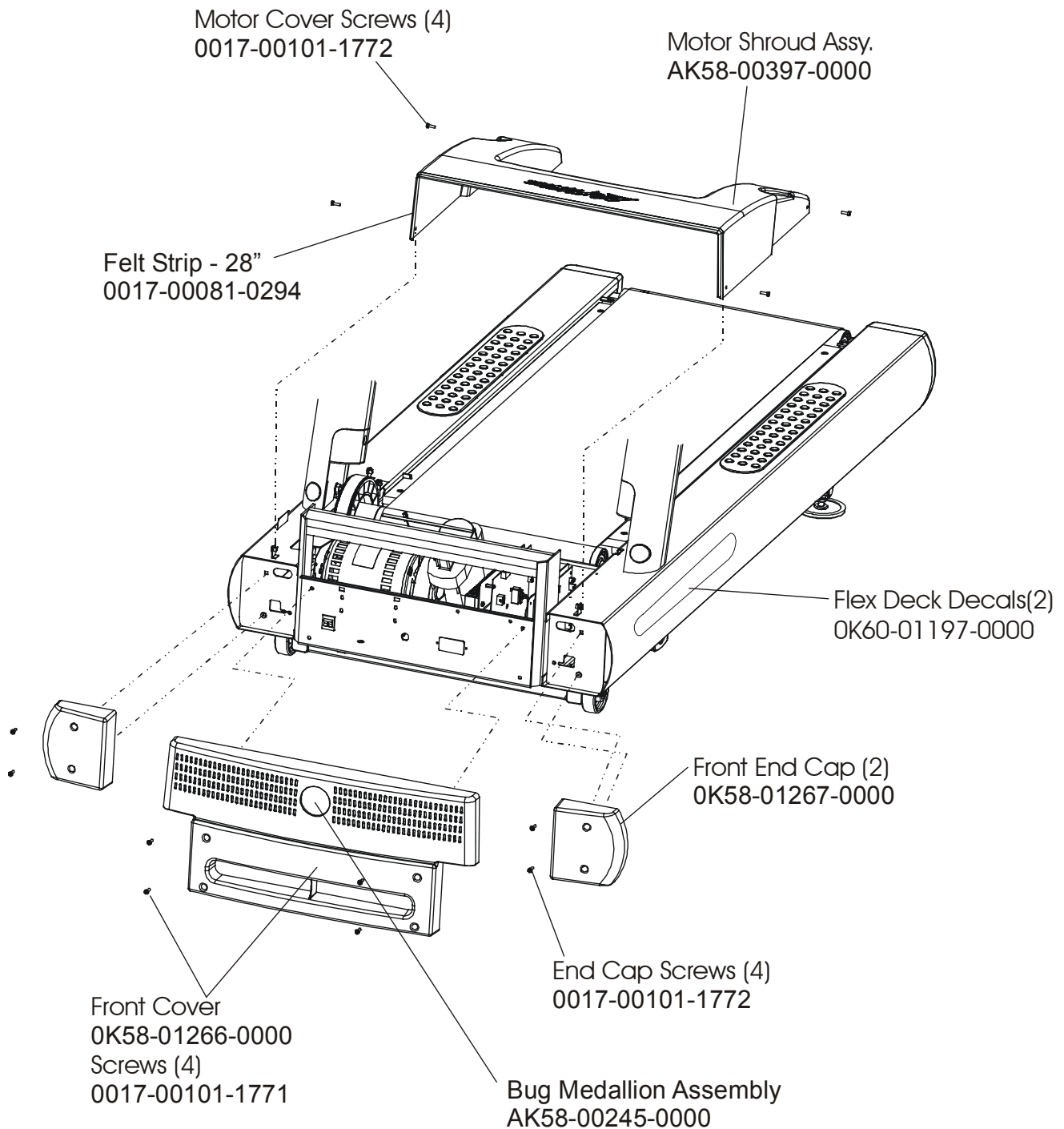
## Uprights, Handrails and Ergo Bar

95T-0XXX-03  
S/N ATT100000 and up



**ARCTIC SILVER 95Ti**  
**Motor Cover, Front Cover and Front**  
**End Caps**

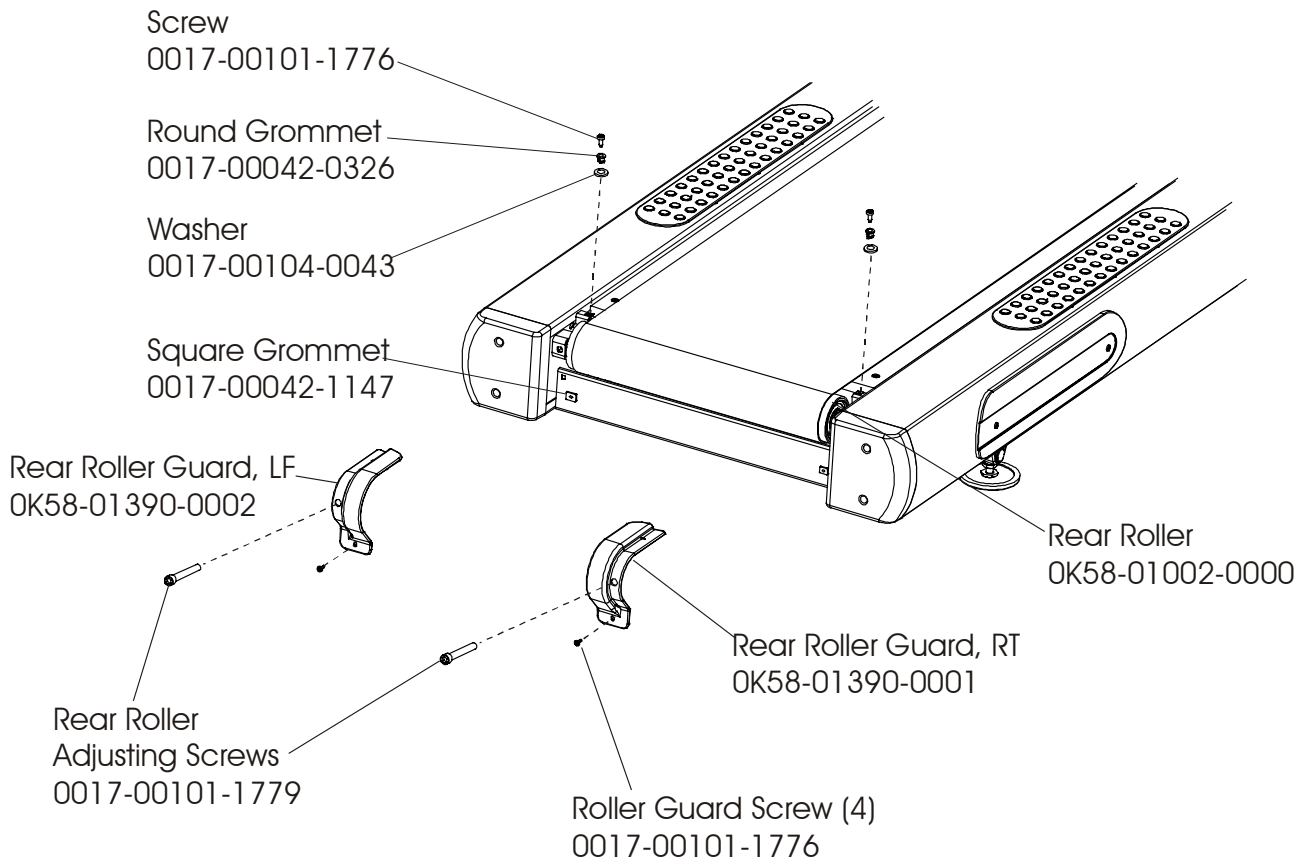
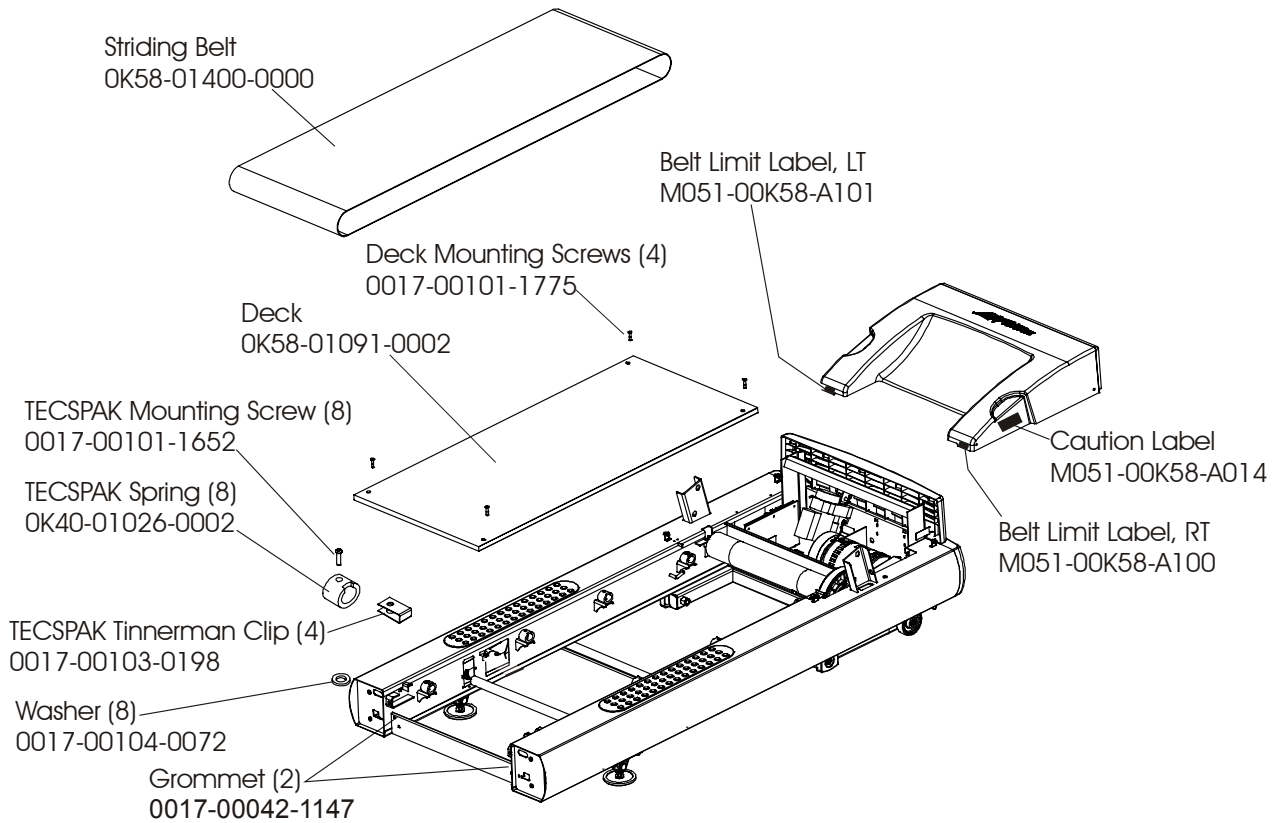
**95T-0XXX-03**  
**S/N ATT100000 and up**





**ARCTIC SILVER 95Ti**  
**Belt, Deck and Rear Roller**

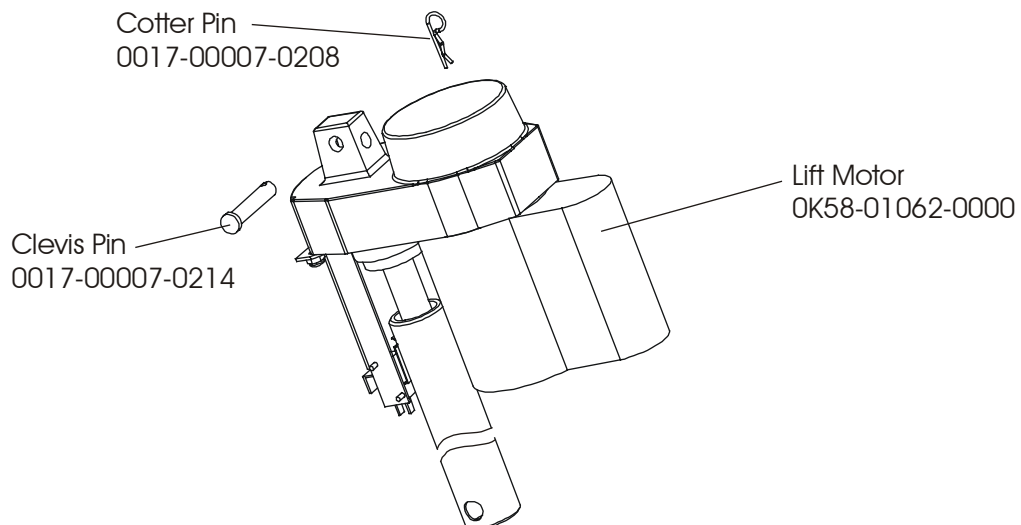
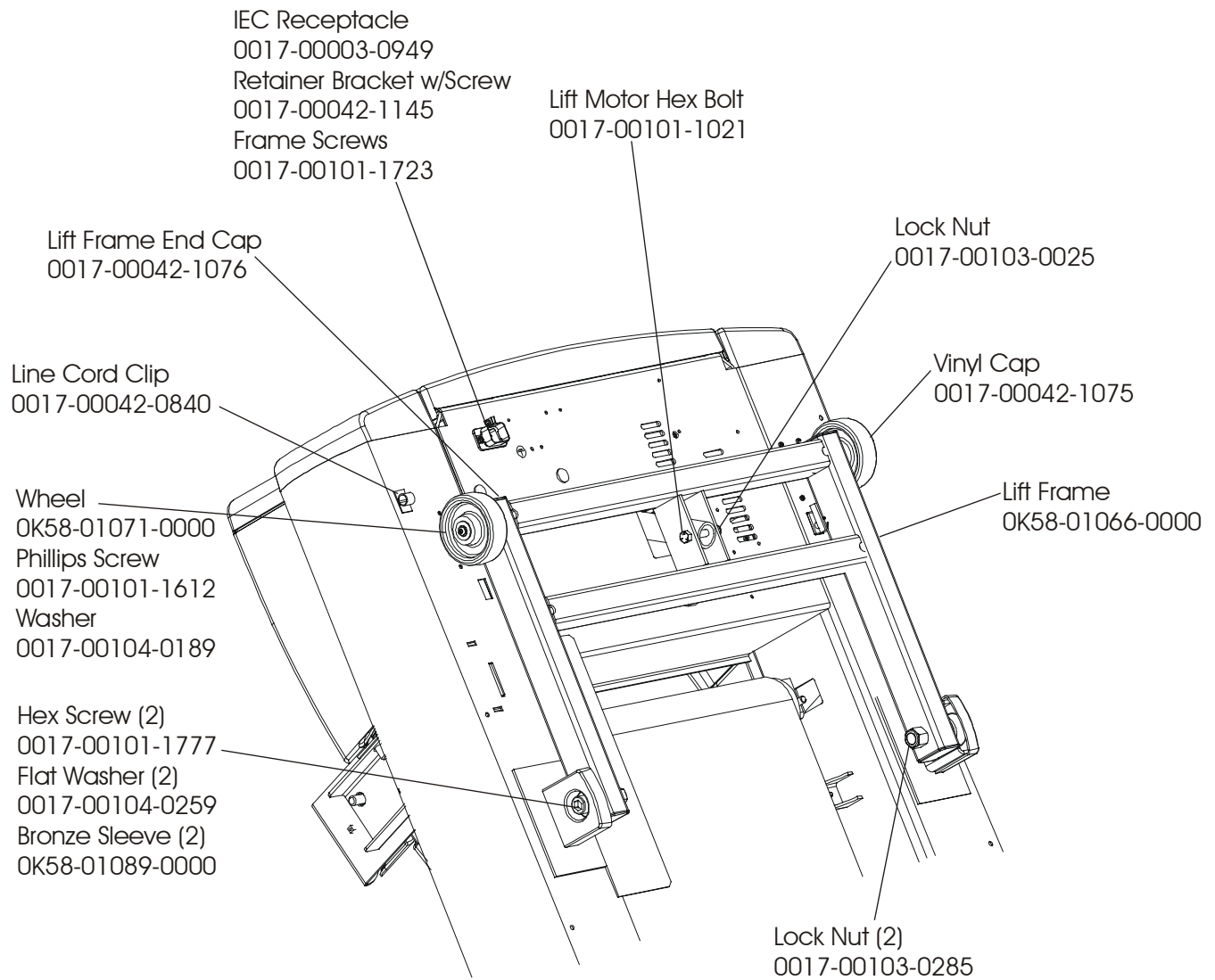
**95T-0XXX-03**  
**S/N ATT100000 and up**



# ARCTIC SILVER 95Ti

## Lift Frame and Lift Motor

95T-0XXX-03  
S/N ATT100000 and up

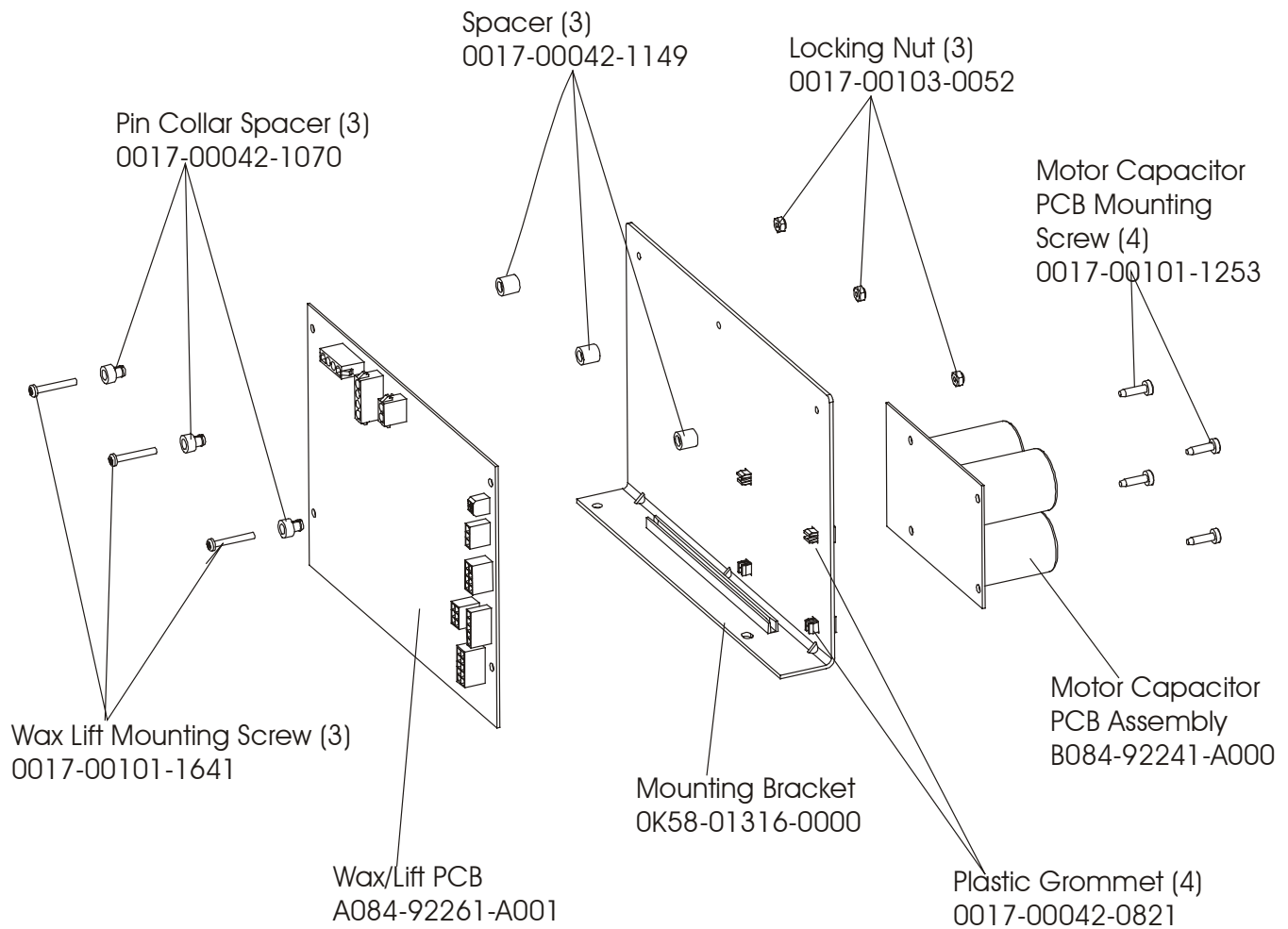


# ARCTIC SILVER 95Ti

Wax/Lift Assembly-AK58-00243-0000

95T-0XXX-03

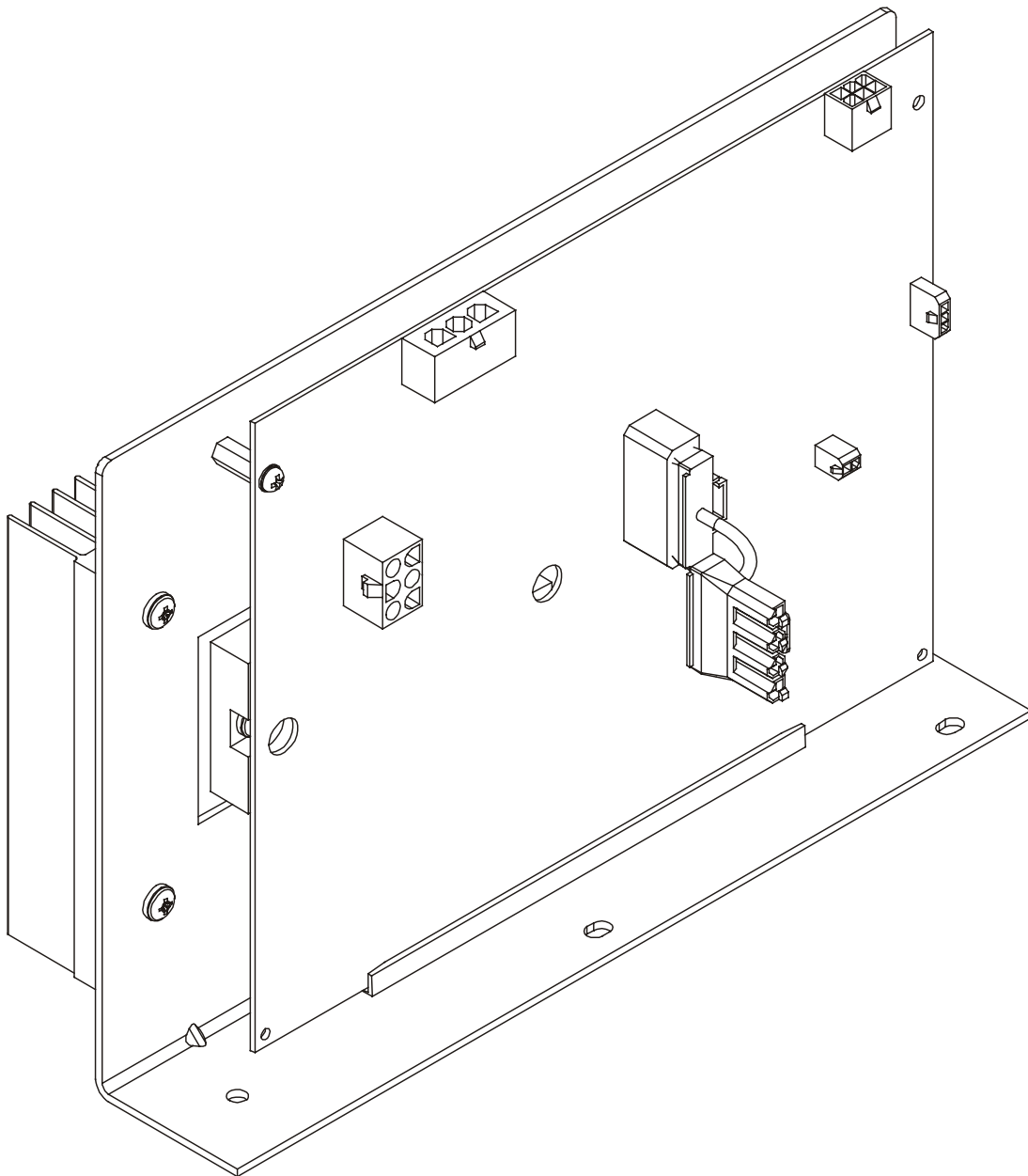
S/N ATT100000 and up



**ARCTIC SILVER 95Ti**  
**Motor Controller Assembly**

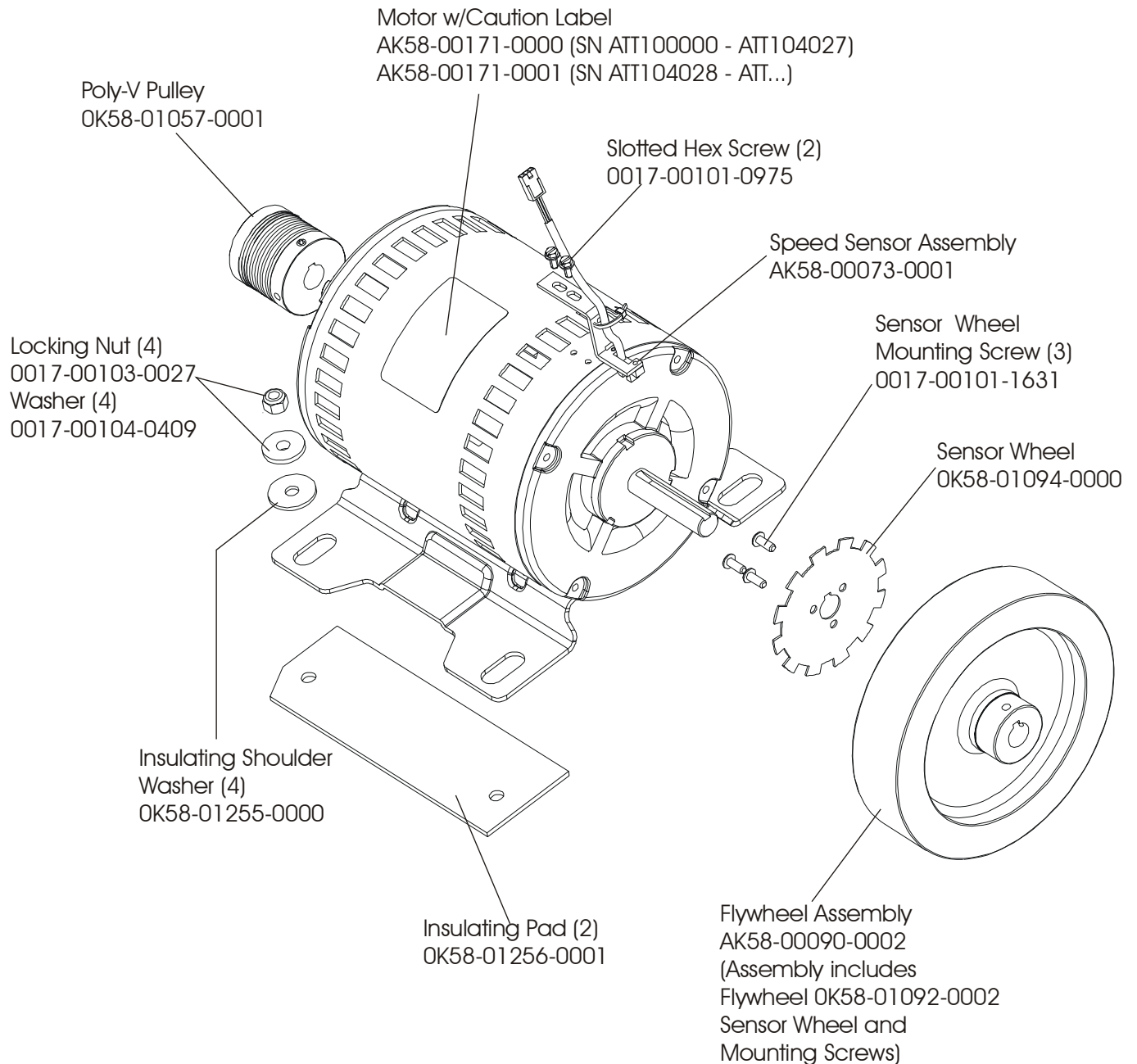
**95T-0XXX-03**  
**S/N ATT100000 and up**

- AK60-00171-0000 (100-120v) W/O FERRITE**
- AK60-00171-0001 (200-240v) W/O FERRITE**
- AK60-00171-0002 (100-120v) WITH FERRITE**
- AK60-00171-0003 (200-240v) WITH FERRITE**



**ARCTIC SILVER 95Ti**  
**Drive Motor Assembly**

**95T-0XXX-03**  
**S/N ATT100000 and up**



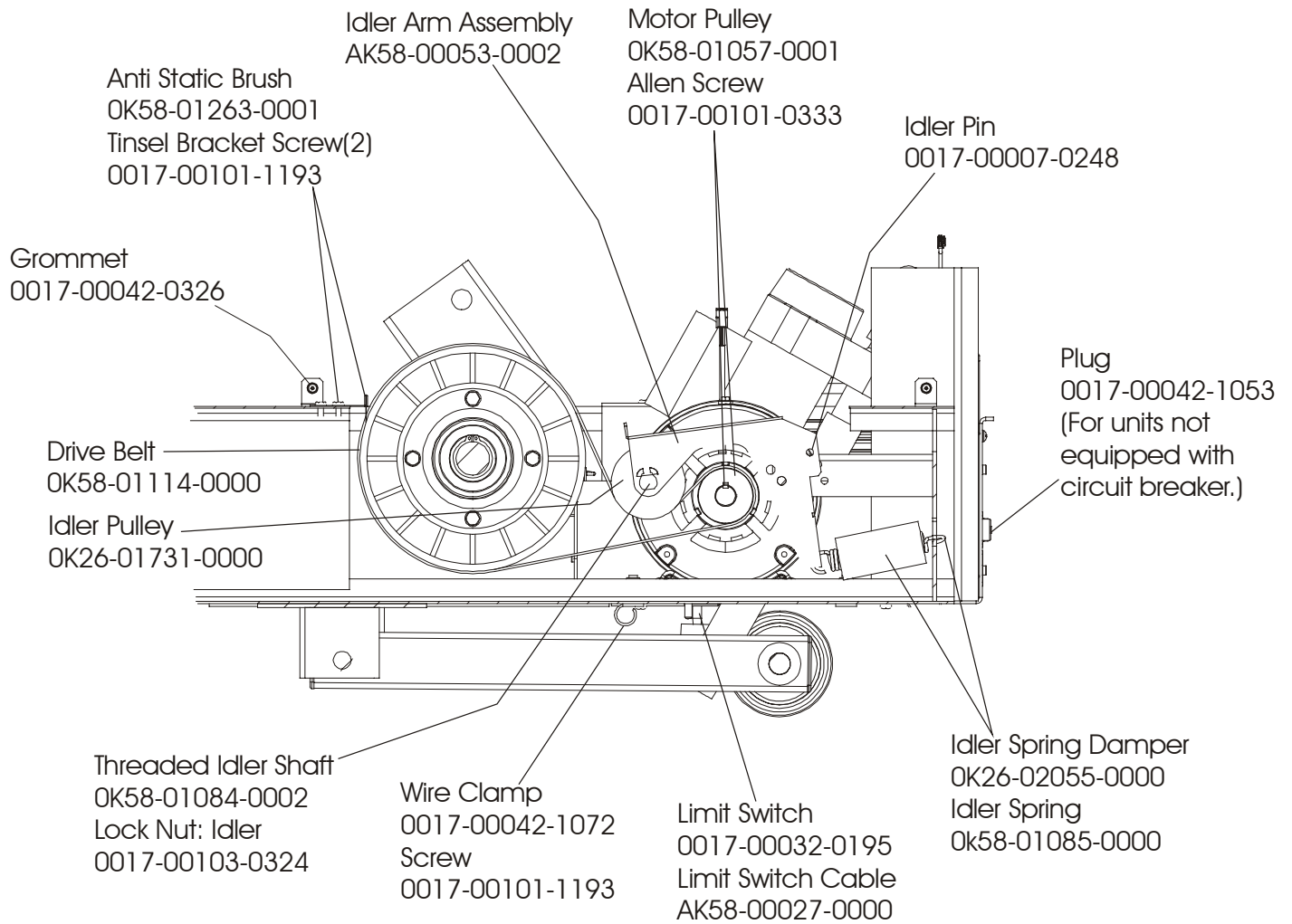
Drive Motor Assembly Number	Motor Serial Number
AK58-00172-0000	ATT100000 – ATT104027
AK58-00172-0002	ATS104028 and up

# ARCTIC SILVER 95Ti

## Idler Arm Assembly and Static Brush

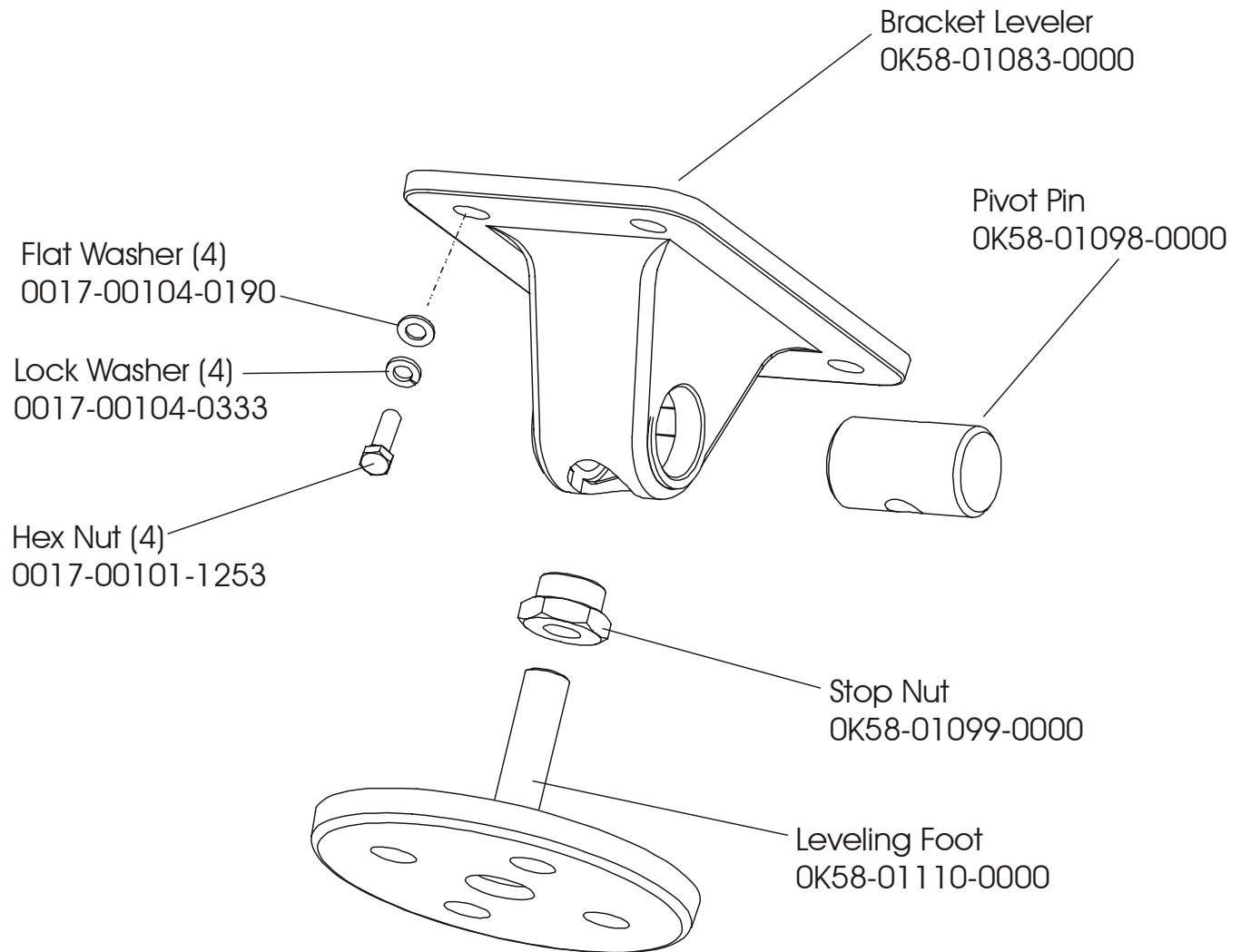
95T-0XXX-03

S/N ATT100000 and up



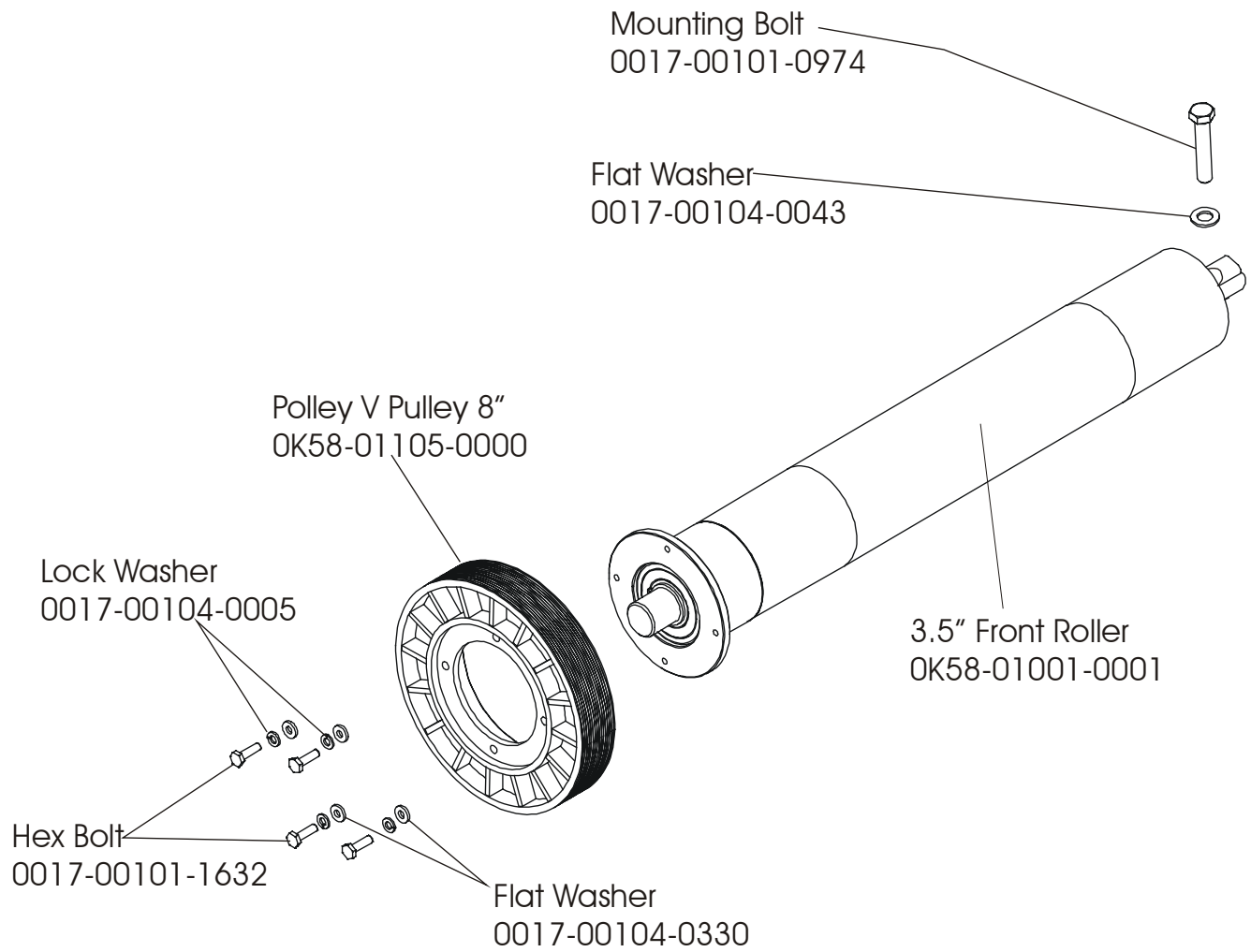
**ARCTIC SILVER 95Ti**  
**Leveler Assembly – AK58-00370-0000**

**95T-0XXX-03**  
**S/N ATT100000 and up**



**ARCTIC SILVER 95Ti**  
**Front Roller Assy.-AK58-00066-0000**

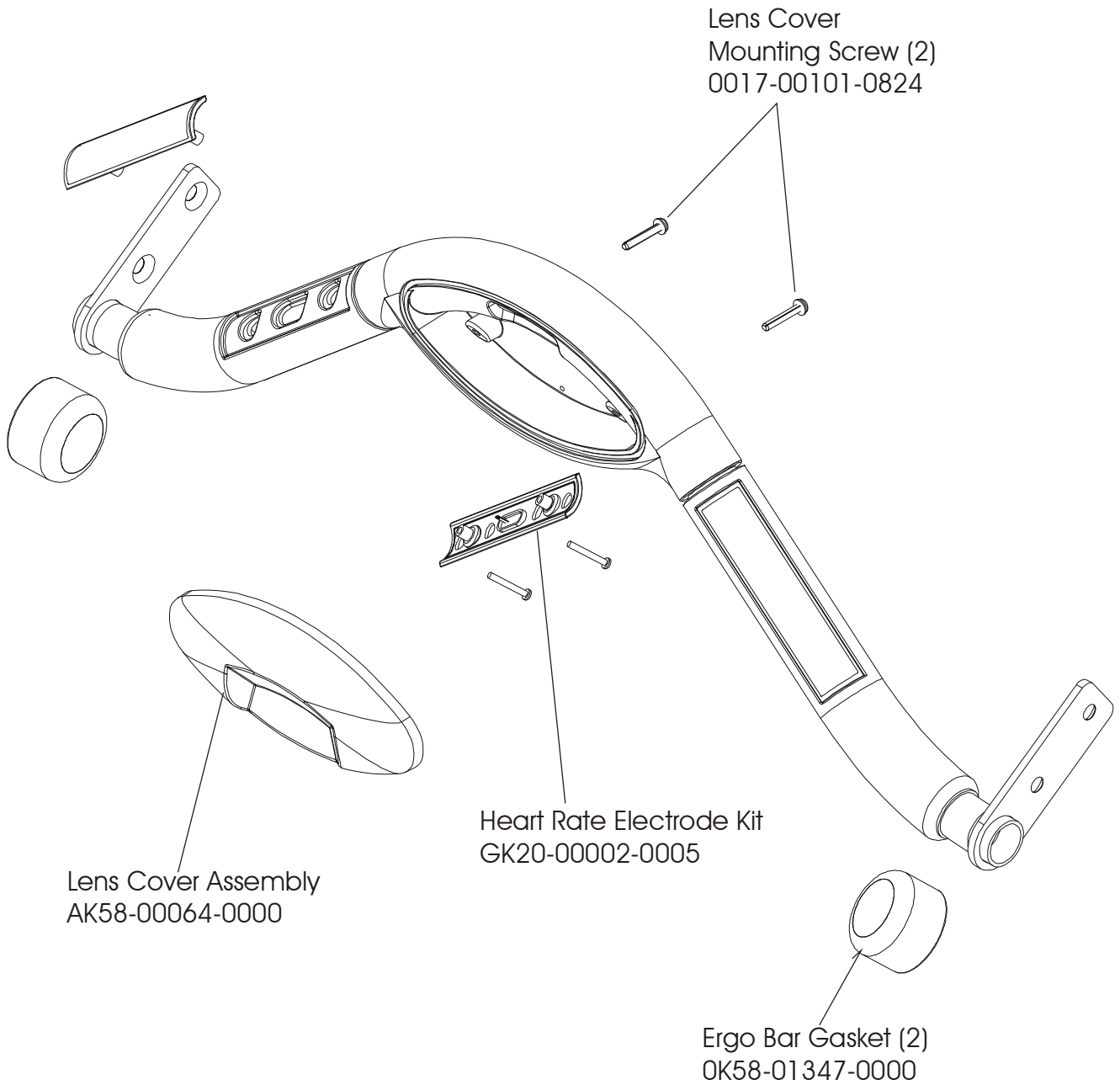
**95T-0XXX-03**  
**S/N ATT100000 and up**





**ARCTIC SILVER 95Ti**  
**Ergo Bar w/Lifepulse**

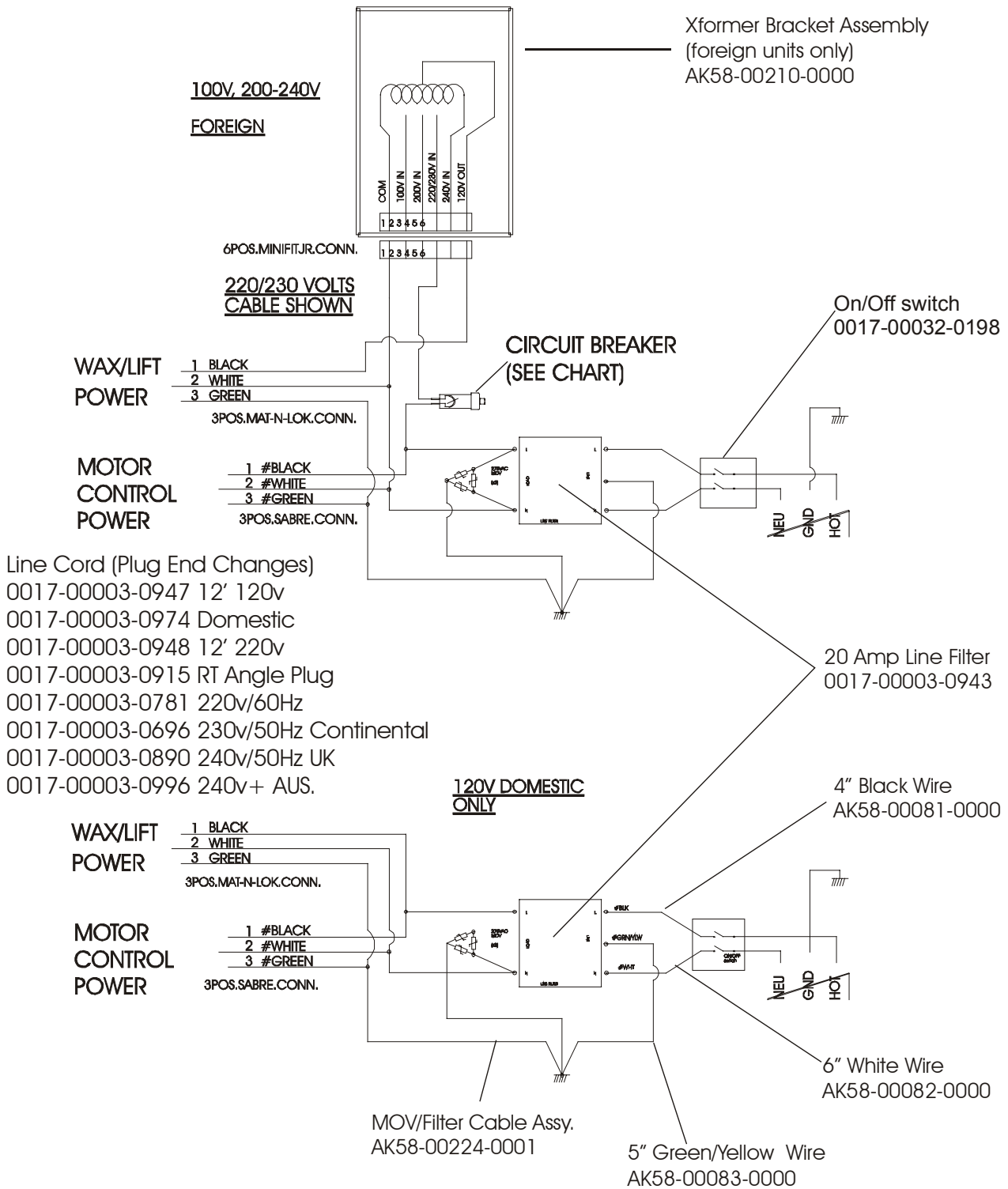
**95T-0XXX-03**  
**S/N ATT100000 and up**



# ARCTIC SILVER 95Ti

## Power Components Schematic

**95T-0XXX-03**  
**S/N ATT100000 and up**



# ARCTIC SILVER 95Ti

## Wax/Lift Power Supply

95T-0XXX-03  
S/N ATT100000 and up

