

Elevation Series Recumbent Bike

(95R-ALLxx-xx, 95R-IFIxx-xx, PCSR-ALLxx-xx)

Parts Manual

06.06.2014



Table of Contents

Miscellaneous.....	3
Miscellaneous Part Numbers.....	3
Console Assembly.....	4
Consoles.....	4
Drive System.....	5
Pedals and Cranks.....	5
Idler Assembly.....	6, 7
Pulley and Belt.....	8, 9
Base Frame Electronics.....	10
Generator Assembly.....	10, 11
GBC Assembly.....	10, 11
Cables.....	12, 13
Lower Frame.....	14
Front Stabilizer, Leg Leveler and Components.....	14
Battery and Power Pack Assembly.....	15
Seat Assembly.....	14
Optional Recumbent Arm Rests.....	16, 17
Seat Pad and Back Pad.....	18
Extrusion Assembly.....	19
Carriage Assembly.....	20
Upper Frame.....	21
Monocolumn Assembly.....	21, 22
Shrouds.....	23, 24
Heart Rate System.....	25
Seat Handle Components.....	25, 26

Miscellaneous

Miscellaneous Part Numbers

Item	Alpha Code(s)*	Part Number	Description
MISC-001	ARL, CLQ, PIR, PIN, APR, ACR, CHQ, PHN, RUC, RUI, RPU		Operation Manual, CD (Eng) (Available Online)
MISC-002	ARL, CLQ, PIR, PIN, APR, ACR, CHQ, PHN, RUC, RUI, RPU	0017-00003-1051	+39V Power Supply (Standard For Units Equipped With K16 LCD Consoles, Optional For 7" LCD Consoles)
MISC-003	ARL, CLQ, PIR, PIN, APR, ACR, CHQ, PHN, RUC, RUI, RPU	0017-00003-0704	Line Cord 10A, 125 V
MISC-003	ARL, CLQ, PIR, PIN, APR, ACR, CHQ, PHN, RUC, RUI, RPU	0017-00003-0691	Line Cord Cont 10A, 250 V
MISC-003	ARL, CLQ, PIR, PIN, APR, ACR, CHQ, PHN, RUC, RUI, RPU	0017-00003-0889	Line Cord Cont U.K. 10A
MISC-003	ARL, CLQ, PIR, PIN, APR, ACR, CHQ, PHN, RUC, RUI, RPU	0017-00003-0918	Line Cord Cont Australia
MISC-004	ARL, CLQ, PIR, PIN, APR, ACR, CHQ, PHN, RUC, RUI, RPU	0017-00008-0204	Arctic Silver Touch Up Paint: Spray Can
MISC-005	ARL, CLQ, PIR, PIN, APR, ACR, CHQ, PHN, RUC, RUI, RPU	0017-00008-0205	Arctic Silver Touch Up Paint: .5 Oz Bottle W/ Applicator
MISC-006	ARL, CLQ, PIR, PIN, APR, ACR, CHQ, PHN, RUC, RUI, RPU	0017-00008-0206	Arctic Silver Touch Up Paint: .33 Oz Pen
MISC-007	ARL, CLQ, PIR, PIN, APR, ACR, CHQ, PHN, RUC, RUI, RPU	AK66-00036-0000	Bracket Assembly: Power/Coax Input Assembly
MISC-008	ARL, CLQ, PIR, PIN, APR, ACR, CHQ, PHN, RUC, RUI, RPU	0K66-01063-0000	Power Coax Bracket
MISC-009	ARL, CLQ, PIR, PIN, APR, ACR, CHQ, PHN, RUC, RUI, RPU	0017-00021-2846	F-type Panel Connector
MISC-010	ARL, CLQ, PIR, PIN, APR, ACR, CHQ, PHN, RUC, RUI, RPU	0017-00021-2847	Phone Jack Receptacle
MISC-011	ARL, CLQ, PIR, PIN, APR, ACR, CHQ, PHN	AK66-00079-0000	Hardware Bag
MISC-012	ARL, CLQ, PIR, PIN, APR, ACR, CHQ, PHN, RUC, RUI, RPU	LCBCT-DOMLX-01	Optional For Units Equipped W/ 7" LCD Or LED Consoles: Domestic Power Kit (Power Supply W/ Cord)
MISC-012	ARL, CLQ, PIR, PIN, APR, ACR, CHQ, PHN, RUC, RUI, RPU	LCBCT-INTHX-01	Optional For Units Equipped W/ 7" LCD Or LED Consoles: International Power Kit (Power Supply W/ Various Cords)
MISC-013	RUC, RUI, RPU	AK66-01060-0000	Hardware Bag

* Refer to first three letters of the product's Serial Number for the Alpha Code.



Throughout this document, Assemblies are displayed with a Rectangle

Console Assembly

Consoles



CN-001, CN-002



CN-007, CN-008,
CN-009



CN-003, CN-004,
CN-005, CN-006

Parts List

Item	Alpha Code(s)	Part Number	Description
CN-001	ARL, CLQ, PIR, PIN, APR, ACR, CHQ, PHN, RUC, RUI	07-DN-ALLXX-01	7-in LCD Bike/CT Console
CN-002	ARL, CLQ, PIR, PIN, APR, ACR, CHQ, PHN, RUC, RUI	07DN-ALLXX-01R	7-in LCD Bike/CT Console (Refurbished)
CN-003	ARL, CLQ, PIR, PIN, APR, ACR, CHQ, PHN, RUC, RUI	15DN-ALLXN-01	15-in LCD Bike/CT Console - NTSC
CN-004	ARL, CLQ, PIR, PIN, APR, ACR, CHQ, PHN, RUC, RUI	15DN-ALLXN-01R	15-in LCD Bike/CT Console - NTSC (Refurbished)
CN-005	ARL, CLQ, PIR, PIN, APR, ACR, CHQ, PHN, RUC, RUI	15DN-ALLXP-01	15-in LCD Bike/CT Console - PAL
CN-006	ARL, CLQ, PIR, PIN, APR, ACR, CHQ, PHN, RUC, RUI	15DN-ALLXP-01R	15-in LCD Bike/CT Console - PAL (Refurbished)
CN-007	ARL, CLQ, PIR, PIN, APR, ACR, CHQ, PHN, RUC, RUI	LEDN-DOMXX-01	LED Bike/CT Console - Domestic
CN-008	ARL, CLQ, PIR, PIN, APR, ACR, CHQ, PHN, RUC, RUI	LEDN-INTXX-01	LED Bike/CT Console - International
CN-009	ARL, CLQ, PIR, PIN, APR, ACR, CHQ, PHN, RUC, RUI	LEDN-IFIXX-01	LED Bike/CT Console - International IFI

Drive System

Pedals and Cranks

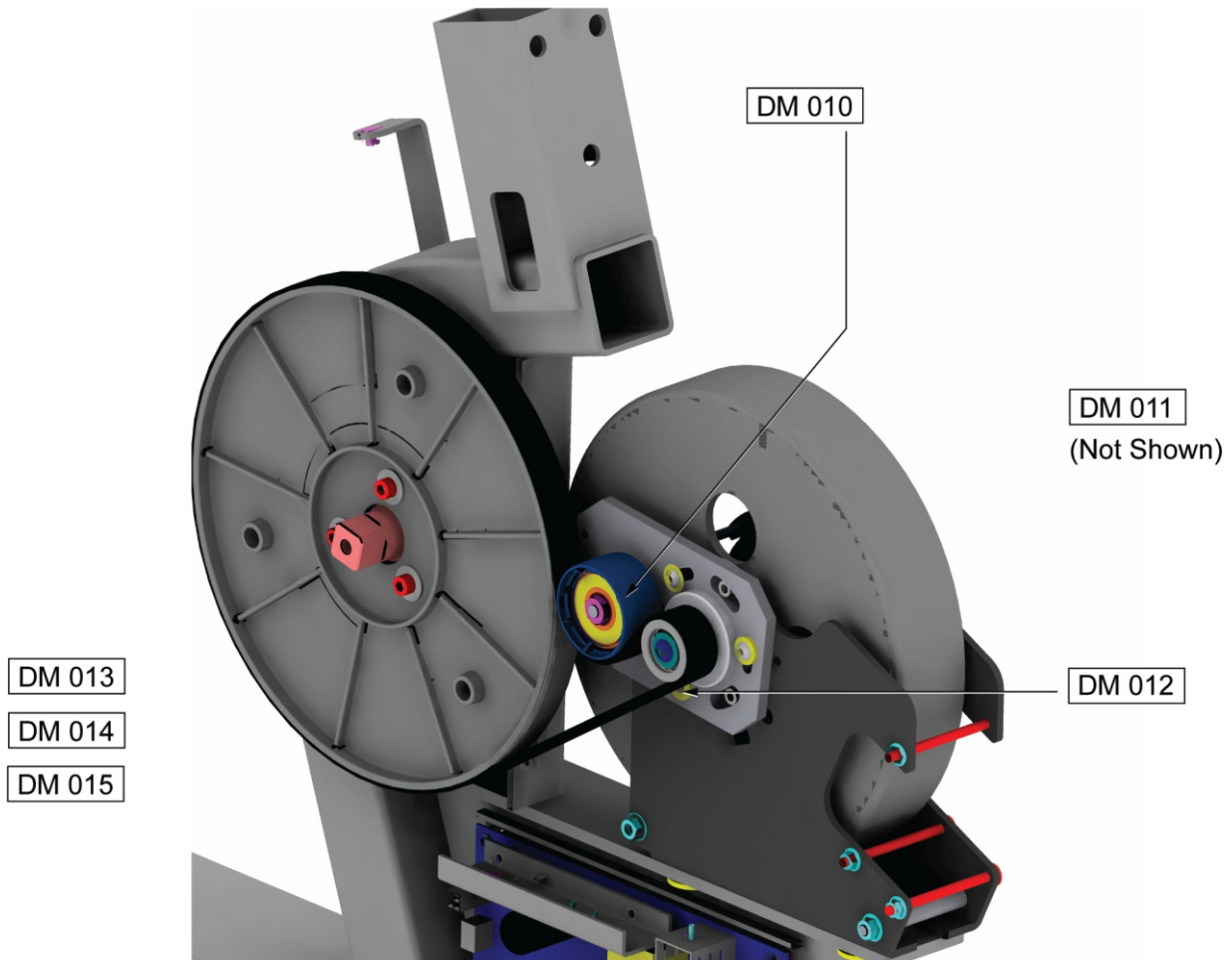


Part Numbers

Item	Alpha Code(s)	Part Number	Description
DM-001	ARL, CLQ, PIR, PIN, APR, ACR, CHQ, PHN, RUC, RPU, RUI	0K76-01054-0000	Right Crank Arm
DM-002	ARL, CLQ, PIR, PIN, APR, ACR, CHQ, PHN, RUC, RPU, RUI	0K76-01053-0000	Left Crank Arm
DM-003	ARL, CLQ, PIR, PIN, APR, ACR, CHQ, PHN, RUC, RPU, RUI	AK66-00047-0001	Right Pedal W/ Strap Assembly
DM-004	ARL, CLQ, PIR, PIN, APR, ACR, CHQ, PHN, RUC, RPU, RUI	AK66-00048-0001	Left Pedal W/ Strap Assembly
DM-005	PIR, PIN, RUI	AK66-00092-0001	Right Pedal Assembly W/ Strap For IFI (International Fitness Initiative)
DM-006	PIR, PIN, RUI	AK66-00093-0001	Left Pedal Assembly W/ Strap For IFI (International Fitness Initiative)
DM-007	ARL, CLQ, PIR, PIN, APR, ACR, CHQ, PHN	0K66-01096-0000	Crank Connector Plate
DM-008	ARL, CLQ, PIR, PIN, APR, ACR, CHQ, PHN, RUC, RPU, RUI	0K66-01121-0000	Crank Cap
DM-009	ARL, CLQ, PIR, PIN, APR, ACR, CHQ, PHN, RUC, RPU, RUI	0017-00101-2077	M8 x 1.0 x 30 Crank Screw
DM-009	ARL, CLQ, PIR, PIN, APR, ACR, CHQ, PHN	0017-00101-2043	M8 x 1.0 x 25 Crank Screw

Idler Assembly

ONLY for Alpha codes listed below:

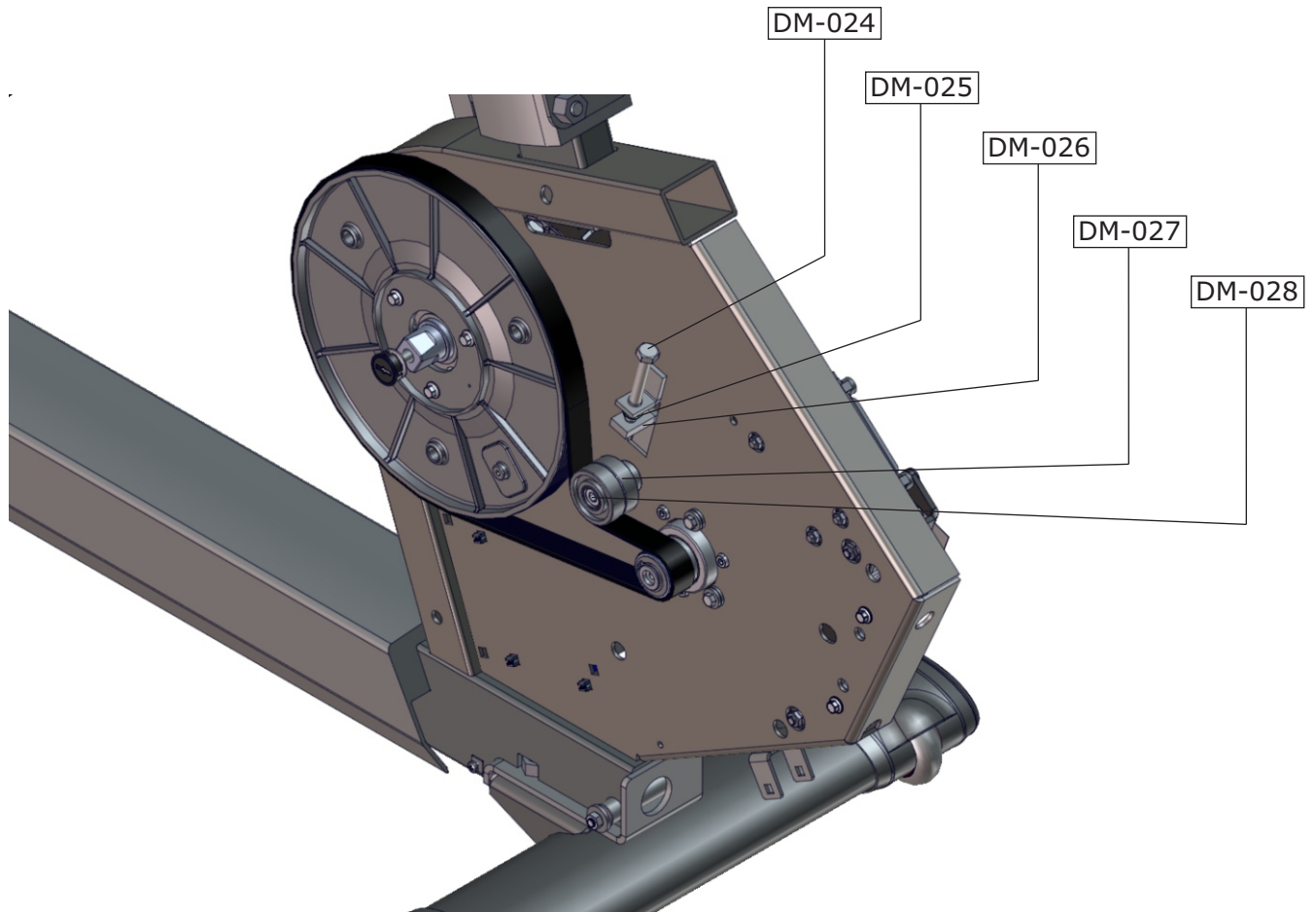


Part Numbers

Item	Alpha Code(s)	Part Number	Description
DM-010	ARL, CLQ, PIR, PIN, APR, ACR, CHQ, PHN	AK66-00145-0000	Idler Assembly
DM-011	ARL, CLQ, PIR, PIN, APR, ACR, CHQ, PHN	0K66-01092-0000	Idler Spring
DM-012	ARL, CLQ, PIR, PIN, APR, ACR, CHQ, PHN	0017-00101-1894	Idler Mounting Screw
DM-013	ARL, CLQ, PIR, PIN, APR, ACR, CHQ, PHN	AK66-00122-0000	Idler Bracket
DM-014	ARL, CLQ, PIR, PIN, APR, ACR, CHQ, PHN	AK66-00066-0000	Idler Bearing
DM-015	ARL, CLQ, PIR, PIN, APR, ACR, CHQ, PHN	0017-00103-0338	Nut

Idler Assembly

ONLY for Alpha codes: RUC, RUI, RPU

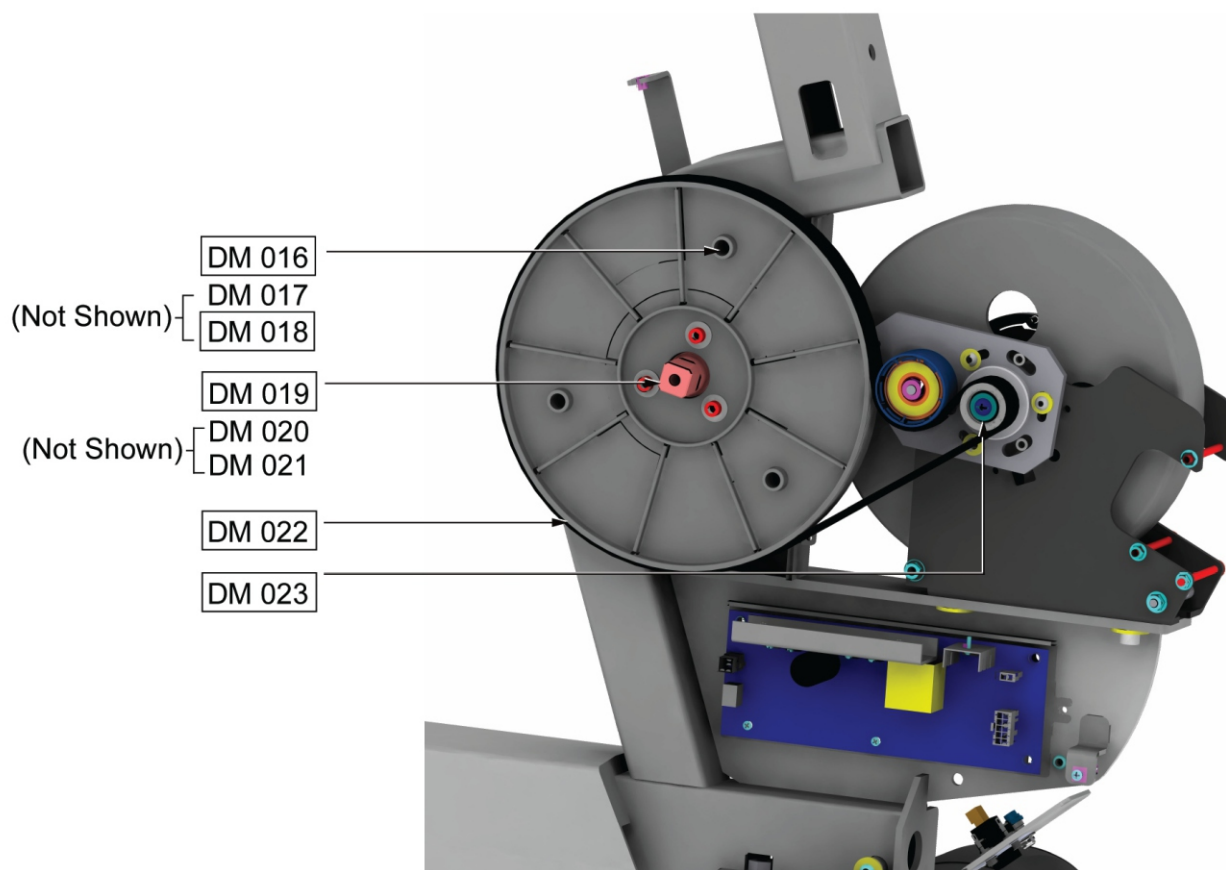


Part Numbers

Item	Alpha Code(s)	Part Number	Description
DM-024	RUC, RUI, RPU	0017-00101-2002	Idler Tension Screw
DM-025	RUC, RUI, RPU	0017-00103-0328	Idler Nut
DM-026	RUC, RUI, RPU	0K66-01254-0000	Idler Tensioner Bracket
DM-027	RUC, RUI, RPU	AK66-00146-0000	Idler Bearing Assembly
DM-028	RUC, RUI, RPU	0017-00101-1982	Idler Bearing Screw

Pulley and Belt

ONLY for Alpha codes listed below:

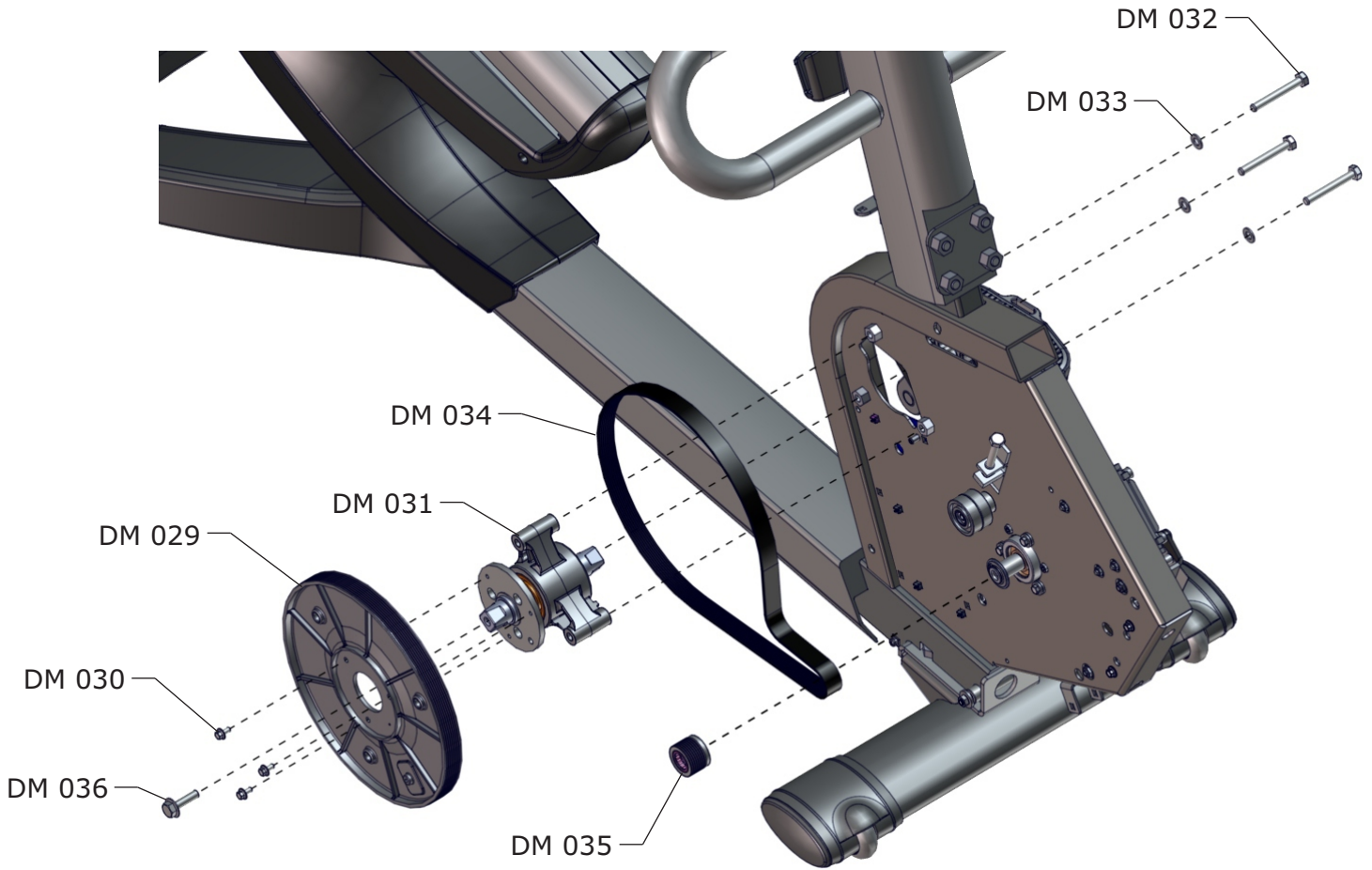


Part Numbers

Item	Alpha Code(s)	Part Number	Description
DM-016	ARL, CLQ, PIR, PIN, APR, ACR, CHQ, PHN	0K66-01005-0000	Crank Pulley
DM-017	ARL, CLQ, PIR, PIN, APR, ACR, CHQ, PHN	0017-00101-1891	Pad Mounting Screw
DM-018	ARL, CLQ, PIR, PIN, APR, ACR, CHQ, PHN	0017-00101-1891	Pad Mounting Screw
DM-019	ARL, CLQ, PIR, PIN, APR, ACR, CHQ, PHN	AK66-00003-0001	Crank-hub/ Bearing/ Shaft Assembly
DM-020	ARL, CLQ, PIR, PIN, APR, ACR, CHQ, PHN	0017-00101-1881	Stabilizer Mounting Screw
DM-021	ARL, CLQ, PIR, PIN, APR, ACR, CHQ, PHN	0017-00104-0469	Washer
DM-022	ARL, CLQ, PIR, PIN, APR, ACR, CHQ, PHN	0017-00009-0837	Poly -V Drive Belt
DM-023	ARL, CLQ, PIR, PIN, APR, ACR, CHQ, PHN	AK66-00139-0000	Clutch & Pulley Assembly

Pulley and Belt

ONLY for Alpha codes: RUC, RUI, RPU



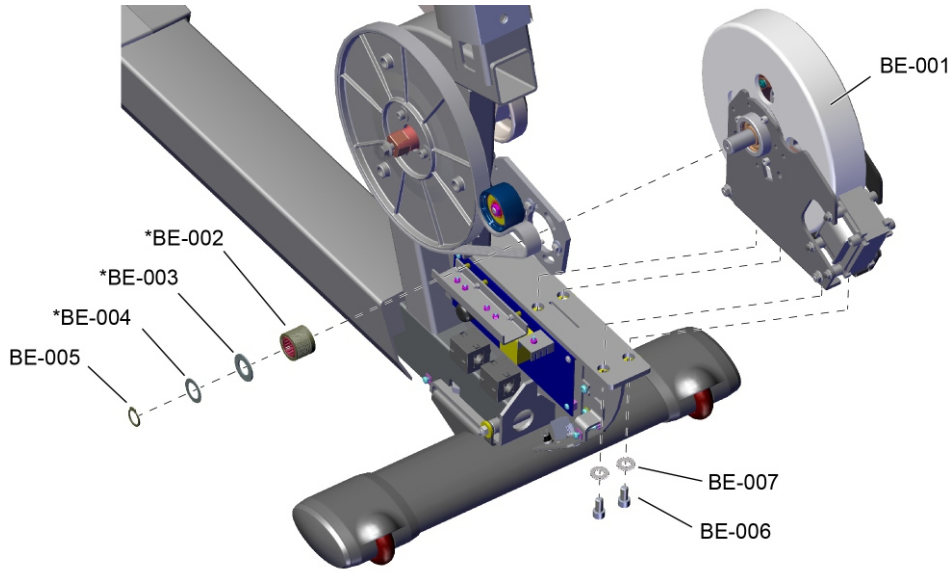
Part Numbers

Item	Alpha Code(s)	Part Number	Description
DM-029	RUC, RUI, RPU	0K76-01068-0000	Crank Pulley
DM-030	RUC, RUI, RPU	0017-00101-2102	Pulley Mounting Screw (3)
DM-031	RUC, RUI, RPU	AK66-00151-0000	Crank-hub/ Bearing/ Shaft Assembly
DM-032	RUC, RUI, RPU	0017-00101-2002	Hub Mounting Bolt (3)
DM-033	RUC, RUI, RPU	0017-00104-0469	Washer (3)
DM-034	RUC, RUI, RPU	0017-00009-1297	Poly -V Drive Belt
DM-035	RUC, RUI, RPU	AK66-00147-0000	Clutch & Pulley Assembly
DM-036	RUC, RUI, RPU	0017-00101-2077	Clutch Bolt

Base Frame Electronics

Generator Assembly

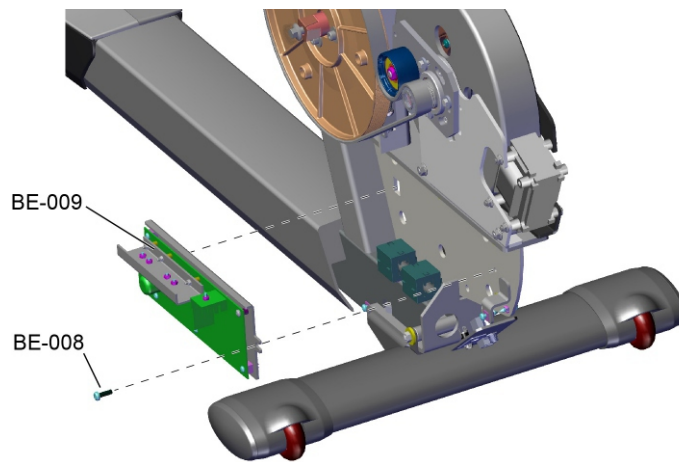
ONLY for Alpha codes listed below:



Item	Alpha Code(s)	Part Number	Description
BE-001	ARL, CLQ, PIR, PIN, APR, ACR, CHQ, PHN	AK66-00138-0001	Generator / Brake Assembly
BE-002	ARL, CLQ, PIR, PIN, APR, ACR, CHQ, PHN	AK66-00139-0000	Clutch and Pulley Assembly
BE-003	ARL, CLQ, PIR, PIN, APR, ACR, CHQ, PHN	0K66-01237-0000	Shaft Washer Large (1)
BE-004	ARL, CLQ, PIR, PIN, APR, ACR, CHQ, PHN	0017-00104-0498	Shaft Washer Small (1)
BE-005	ARL, CLQ, PIR, PIN, APR, ACR, CHQ, PHN	0017-00100-0257	Retaining Ring (1)
BE-006	ARL, CLQ, PIR, PIN, APR, ACR, CHQ, PHN	0017-00101-1920	Mounting Screw (4)
BE-007	ARL, CLQ, PIR, PIN, APR, ACR, CHQ, PHN	0017-00104-0479	Washer (4)

* When purchasing clutch (Item BE-002), large and small shaft washers (BE-004, BE-003) must also be purchased.

GBC Assembly

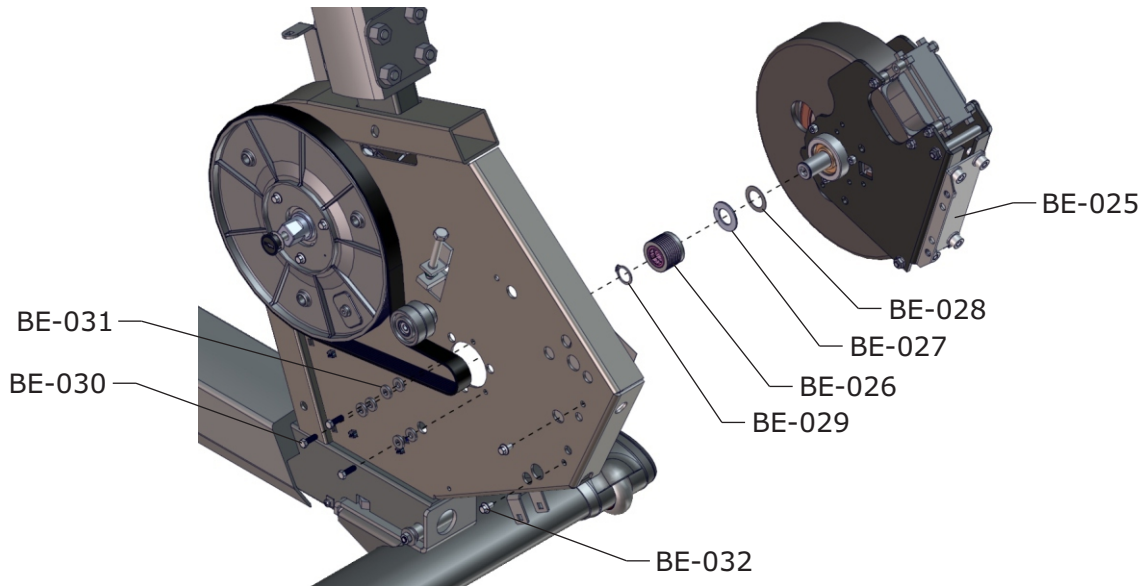


Item	Alpha Code(s)	Part Number	Description
BE-008	ARL, CLQ, PIR, PIN, APR, ACR, CHQ, PHN	0017-00101-1986	Mounting Screw (1)
BE-009	ARL, CLQ, PIR, PIN, APR, ACR, CHQ, PHN	AK66-00100-0006	Power GBC And Bracket Assembly With Software

Base Frame Electronics

Generator Assembly

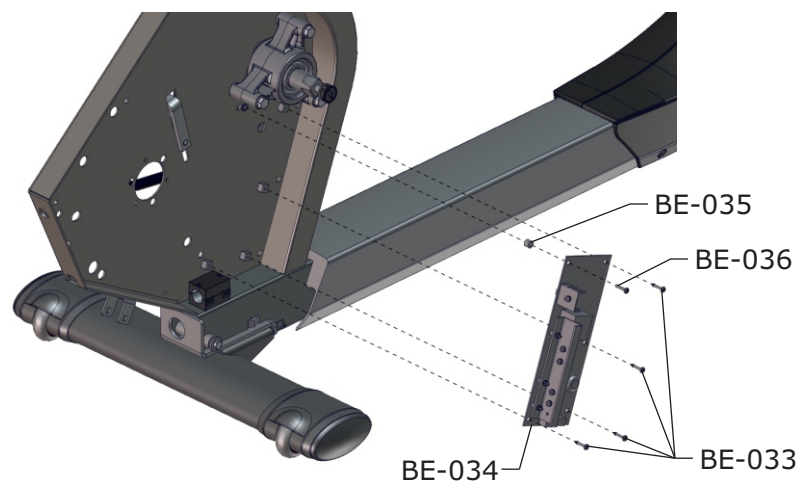
ONLY for Alpha codes: RUC, RUI, RPU



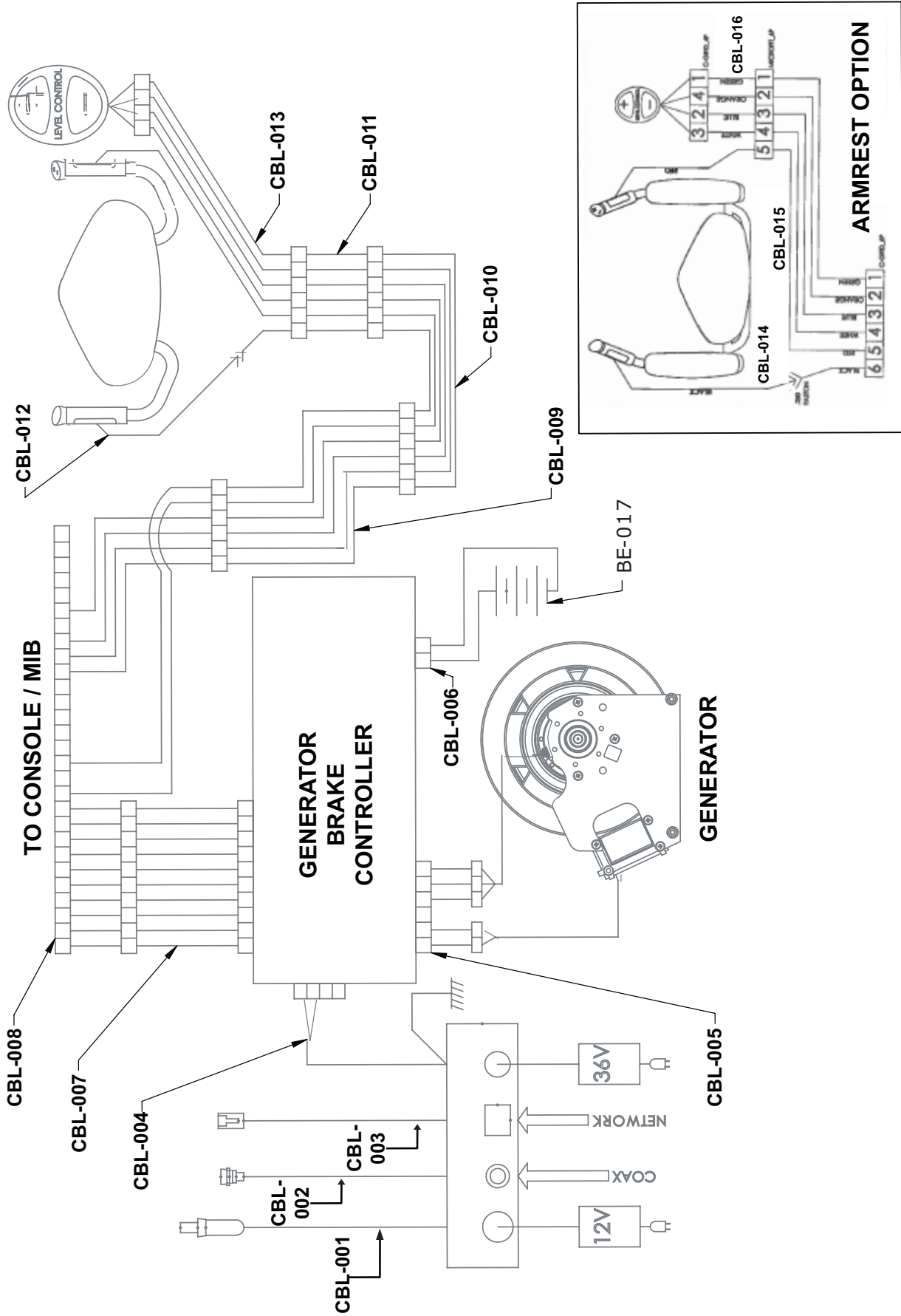
Item	Alpha Code(s)	Part Number	Description
BE-025	RUC, RUI, RPU	AK66-00138-0001	Generator / Brake Assembly
BE-026	RUC, RUI, RPU	AK66-00147-0000	Clutch and Pulley Assembly
BE-027	RUC, RUI, RPU	0K66-01237-0000	Shaft Washer Large (1)
BE-028	RUC, RUI, RPU	0017-00104-0498	Shaft Washer Small (1)
BE-029	RUC, RUI, RPU	0017-00100-0257	Retaining Ring (1)
BE-030	RUC, RUI, RPU	0017-00101-1894	Mounting Screw (3)
BE-031	RUC, RUI, RPU	0017-00104-0330	Washer (6)
BE-032	RUC, RUI, RPU	0017-00101-2102	Mounting Screw (2)

* When purchasing clutch (Item BE-026), large and small shaft washers (BE-027, BE-028) must also be purchased.

GBC Assembly



Item	Alpha Code(s)	Part Number	Description
BE-033	RUC, RUI, RPU	0017-00101-1838	Mounting Screw (4)
BE-034	RUC, RUI, RPU	A084-92363-0002	Power GBC And Bracket Assembly With Software
BE-035	RUC, RUI, RPU	0017-00042-1229	Grounding Spacer (1)
BE-036	RUC, RUI, RPU	0017-00101-1874	Grounding Screw (1)

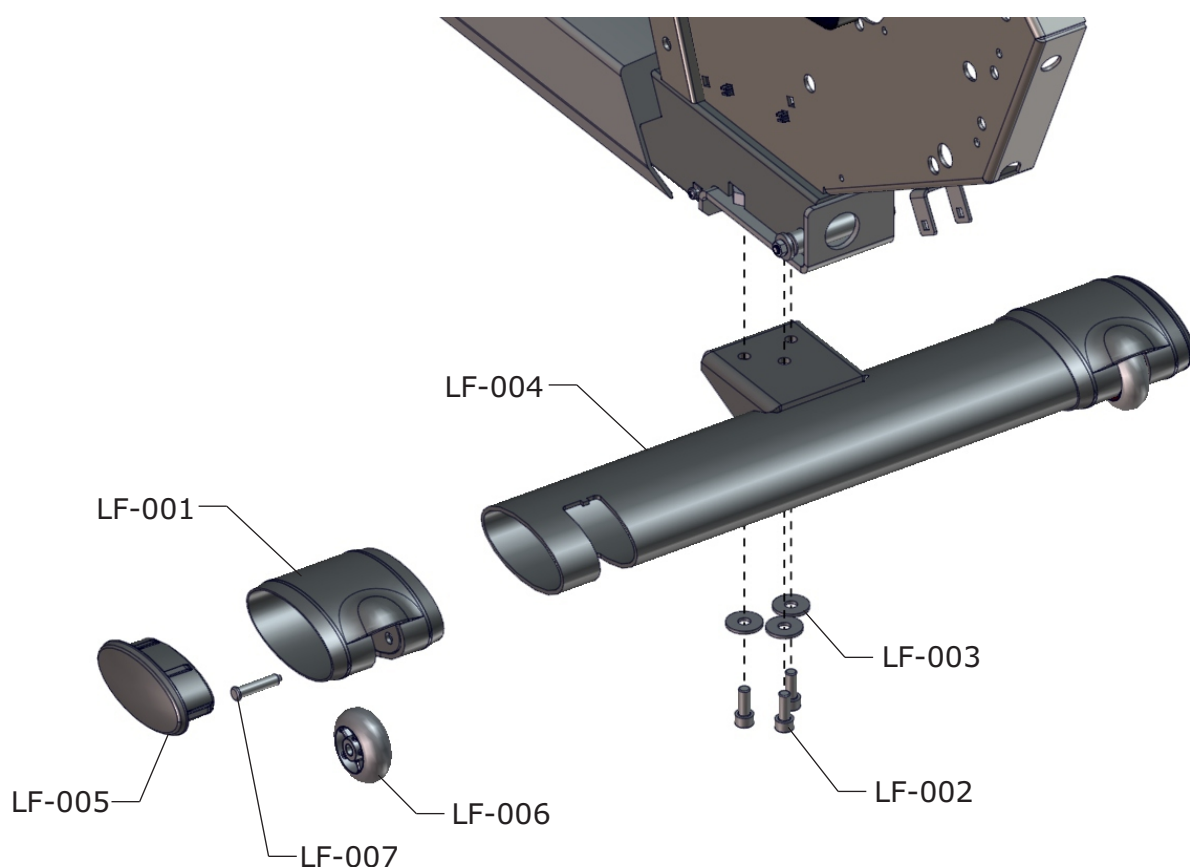


Part Numbers

Item	Alpha Code	Part Number	Description
CBL-001	ARL, CLQ, PIR, PIN, APR, ACR, CHQ, RUC, RUI, RPU, RUC, RUI, RPU	AK32-00160-0000	Tv Power Cable
CBL-002	ARL, CLQ, PIR, PIN, APR, ACR, CHQ, RUC, RUI, RPU, RUC, RUI, RPU	AK65-00062-0000	Coax Assembly; RG6 Cable
CBL-003	ARL, CLQ, PIR, PIN, APR, ACR, CHQ, RUC, RUI, RPU, RUC, RUI, RPU	AK65-00051-0001	C-Safe Network Cable
CBL-004	ARL, CLQ, PIR, PIN, APR, ACR, CHQ, RUC, RUI, RPU, RUC, RUI, RPU	AK67-00108-0000	External Power Cable
CBL-005	ARL, CLQ, PIR, PIN, APR, ACR, CHQ, RUC, RUI, RPU, RUC, RUI, RPU	AK66-00107-0000	Generator / Brake Cable
CBL-006	ARL, CLQ, PIR, PIN, APR, ACR, CHQ, RUC, RUI, RPU, RUC, RUI, RPU	AK66-00109-0000	Battery Cable
CBL-007	ARL, CLQ, PIR, PIN, APR, ACR, CHQ, RUC, RUI, RPU, RUC, RUI, RPU	AK67-00106-0000	PCB to Console Cable
CBL-008	ARL, CLQ, PIR, PIN, APR, ACR, CHQ, RUC, RUI, RPU, RUC, RUI, RPU	AK66-00105-0000	Console / Handlebar Cable
CBL-009	ARL, CLQ, PIR, PIN, APR, ACR, CHQ, RUC, RUI, RPU, RUC, RUI, RPU	AK66-00104-0000	Keypad / Lifepulse Cable
CBL-010	ARL, CLQ, PIR, PIN, APR, ACR, CHQ, RUC, RUI, RPU, RUC, RUI, RPU	AK66-00103-0000	Flat Flex Cable
CBL-011	ARL, CLQ, PIR, PIN, APR, ACR, CHQ, RUC, RUI, RPU, RUC, RUI, RPU	AK66-00111-0000	Carriage Cable
CBL-012	ARL, CLQ, PIR, PIN, APR, ACR, CHQ, RUC, RUI, RPU, RUC, RUI, RPU	AK66-00101-0000	Lifepulse, Left Handlebar
CBL-013	ARL, CLQ, PIR, PIN, APR, ACR, CHQ, RUC, RUI, RPU, RUC, RUI, RPU	AK66-00102-0000	Lifepulse, Right Handlebar / Switch
* ARMREST OPTION			
* CBL-014	ARL, CLQ, PIR, PIN, APR, ACR, CHQ, RUC, RUI, RPU, RUC, RUI, RPU	AK66-00101-0001	Lifepulse, Left Armrest
* CBL-015	ARL, CLQ, PIR, PIN, APR, ACR, CHQ, RUC, RUI, RPU, RUC, RUI, RPU	AK66-00179-0000	Lifepulse, Right Armrest Tube
* CBL-016	ARL, CLQ, PIR, PIN, APR, ACR, CHQ, RUC, RUI, RPU, RUC, RUI, RPU	AK66-00180-0000	Lifepulse, Right Armrest / Switch

Lower Frame

Front Stabilizer, Leg Leveler and Components



Part Numbers

Item	Alpha Code(s)	Part Number	Description
LF-001	ARL, CLQ, PIR, PIN, APR, ACR, CHQ, PHN, RUC, RUI, RPU	0K66-01041-0000	Front Stabilizer Shroud (2)
LF-002	ARL, CLQ, PIR, PIN, APR, ACR, CHQ, PHN, RUC, RUI, RPU	0017-00101-1881	Stabilizer Mounting Screw (3)
LF-003	ARL, CLQ, PIR, PIN, APR, ACR, CHQ, PHN, RUC, RUI, RPU	0017-00104-0479	Washer (3)
LF-004	ARL, CLQ, PIR, PIN, APR, ACR, CHQ, PHN, RUC, RUI, RPU	0K66-01042-0000	Front Stabilizer End Cap (2)
LF-005	ARL, CLQ, PIR, PIN, APR, ACR, CHQ, PHN, RUC, RUI, RPU	AK66-00016-0001	Painted Stabilizer (1)
LF-006	ARL, CLQ, PIR, PIN, APR, ACR, CHQ, PHN, RUC, RUI, RPU	0K66-01039-0000	Wheel (2)
LF-007	ARL, CLQ, PIR, PIN, APR, ACR, CHQ, PHN, RUC, RUI, RPU	0K66-01040-0000	Wheel Shaft (2)

Battery and Power Pack Assembly

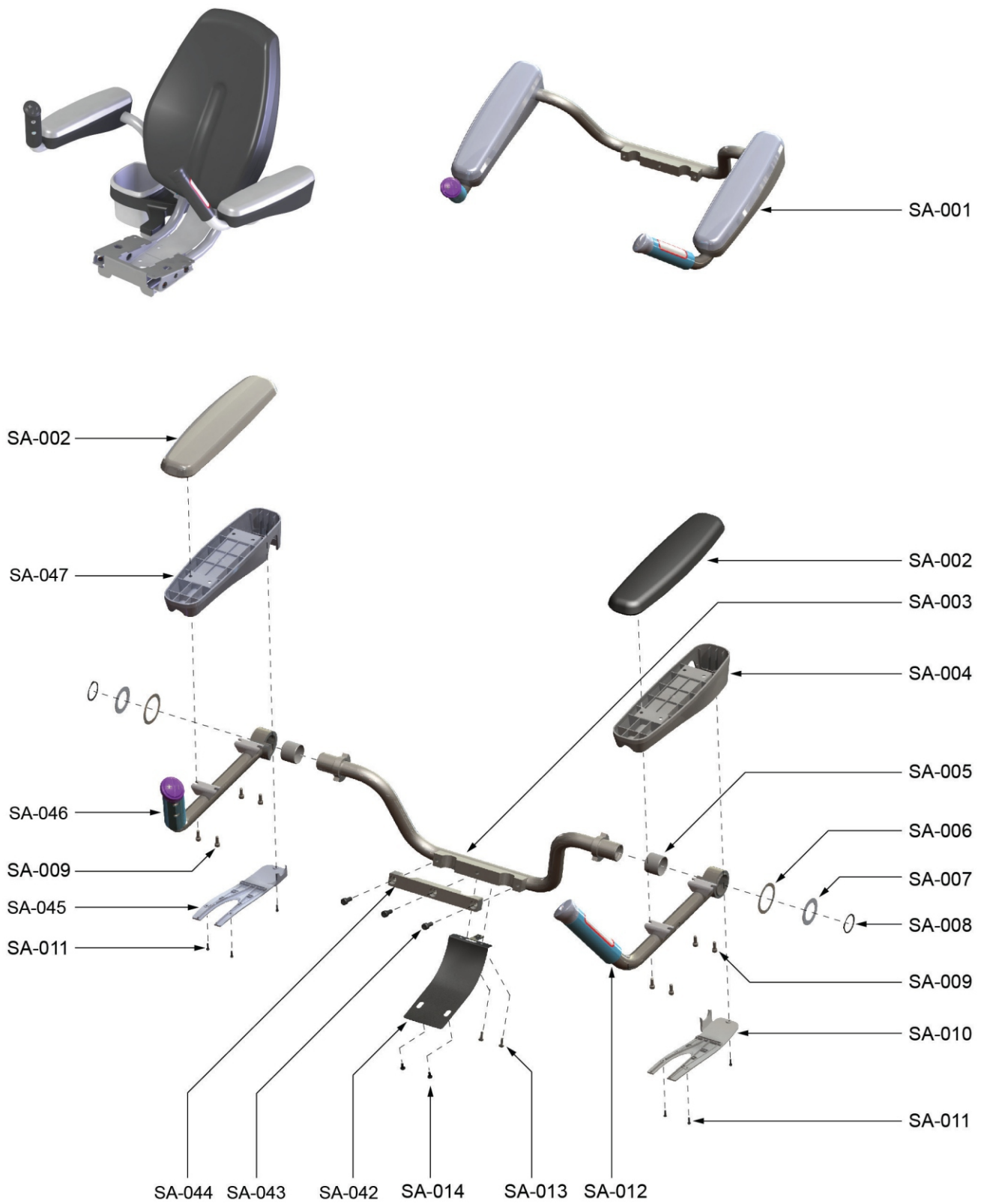


Part Numbers

Item	Alpha Code(s)	Part Number	Description
LF-008	ARL, CLQ, PIR, PIN, APR, ACR, CHQ, PHN. RUC, RUI, RPU	0017-00003-0685	6v Battery
LF-009	ARL, CLQ, PIR, PIN, APR, ACR, CHQ, PHN. RUC, RUI, RPU	0017-00101-1796	Mounting Screw
LF-010	ARL, CLQ, PIR, PIN, APR, ACR, CHQ, PHN. RUC, RUI, RPU	AK66-00036-0000	Brkt Assy: Power/Coax Input Assembly Consists Of 1, 2, 3

Seat Assembly

Optional Recumbent Arm Rests



Part Numbers

Item	Alpha Code(s)	Part Number	Description
SA-001	ARL, CLQ, PIR, PIN, APR, ACR, CHQ, PHN, RUC, RUI, RPU	AK66-00088-0000	Arm Rest Frame Assembly
SA-002	ARL, CLQ, PIR, PIN, APR, ACR, CHQ, PHN, RUC, RUI, RPU	AK66-00084-0000	Arm Rest Pad (2)
SA-003	ARL, CLQ, PIR, PIN, APR, ACR, CHQ, PHN, RUC, RUI, RPU	AK66-00133-0000	Arm Rest Support Weldment
SA-004	ARL, CLQ, PIR, PIN, APR, ACR, CHQ, PHN, RUC, RUI, RPU	0K66-01156-0000	Left Arm Rest Shroud
SA-005	ARL, CLQ, PIR, PIN, APR, ACR, CHQ, PHN, RUC, RUI, RPU	0017-00006-0298	Sleeve Bearing (2 total)
SA-006	ARL, CLQ, PIR, PIN, APR, ACR, CHQ, PHN, RUC, RUI, RPU	0K66-01228-0000	Wave Washer (1 per Arm Rest Assy)
SA-007	ARL, CLQ, PIR, PIN, APR, ACR, CHQ, PHN, RUC, RUI, RPU	0K66-01159-0000	Washer (1 per Arm Rest Assy)
SA-008	ARL, CLQ, PIR, PIN, APR, ACR, CHQ, PHN, RUC, RUI, RPU	0017-00100-0256	Retaining Ring (1 per Arm Rest Assy)
SA-009	ARL, CLQ, PIR, PIN, APR, ACR, CHQ, PHN, RUC, RUI, RPU	0017-00101-1891	Pad Mounting Screw (4 per Arm Rest Pad)
SA-010	ARL, CLQ, PIR, PIN, APR, ACR, CHQ, PHN, RUC, RUI, RPU	0K66-01161-0000	Left Bottom Shroud
SA-011	ARL, CLQ, PIR, PIN, APR, ACR, CHQ, PHN, RUC, RUI, RPU	0017-00101-2012	Shroud Mounting Screw (3 per Shroud)
SA-012	ARL, CLQ, PIR, PIN, APR, ACR, CHQ, PHN, RUC, RUI, RPU	AK66-00089-0001	Arm Rest with Grip Assy - left
SA-013	ARL, CLQ, PIR, PIN, APR, ACR, CHQ, PHN, RUC, RUI, RPU	0017-00101-1972	Bracket Screw (2)
SA-014	ARL, CLQ, PIR, PIN, APR, ACR, CHQ, PHN, RUC, RUI, RPU	0017-00101-2011	Bracket Screw (2)
SA-042	ARL, CLQ, PIR, PIN, APR, ACR, CHQ, PHN, RUC, RUI, RPU	AK66-00137-0000	Bracket And Cable Assembly
SA-043	ARL, CLQ, PIR, PIN, APR, ACR, CHQ, PHN, RUC, RUI, RPU	0017-00101-1881	Arm Rest Support Clamp Mounting Screw (3)
SA-044	ARL, CLQ, PIR, PIN, APR, ACR, CHQ, PHN, RUC, RUI, RPU	0K66-01218-0000	Arm Rest Support Clamp
SA-045	ARL, CLQ, PIR, PIN, APR, ACR, CHQ, PHN, RUC, RUI, RPU	0K66-01162-0000	Right Bottom Shroud
SA-046	ARL, CLQ, PIR, PIN, APR, ACR, CHQ, PHN, RUC, RUI, RPU	AK66-00089-0000	Arm Rest with Grip Assy - right
SA-047	ARL, CLQ, PIR, PIN, APR, ACR, CHQ, PHN, RUC, RUI, RPU	0K66-01165-0000	Right Arm Rest Shroud

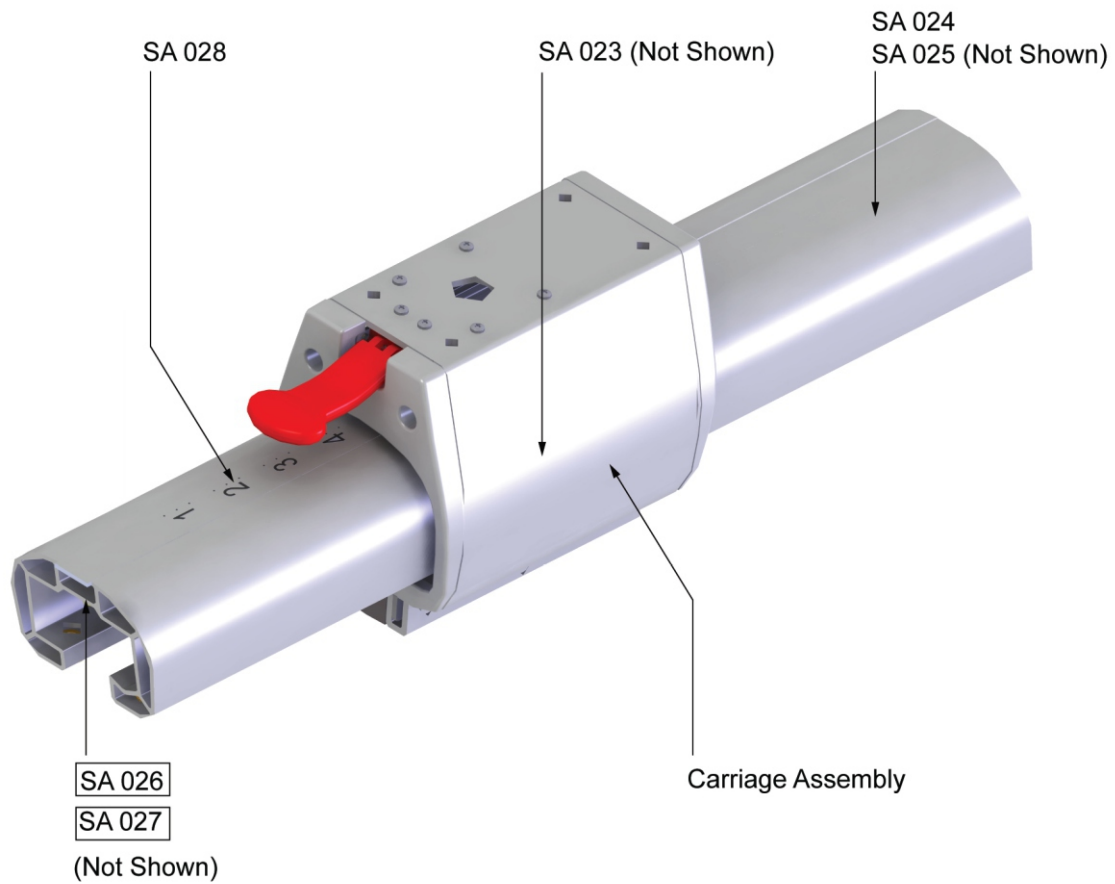
Seat Pad and Back Pad



Part Numbers

Item	Alpha Code(s)	Part Number	Description
SA-015	ARL, CLQ, PIR, PIN, APR, ACR, CHQ, PHN, RUC, RUI, RPU	AK66-00052-0000	Recumbent Seat
SA-016	ARL, CLQ, PIR, PIN, APR, ACR, CHQ, PHN, RUC, RUI, RPU	0017-00101-1881	Stabilizer Mounting Screw
SA-017	ARL, CLQ, PIR, PIN, APR, ACR, CHQ, PHN, RUC, RUI, RPU	AK66-00072-0000	Seat Back
SA-018	ARL, CLQ, PIR, PIN, APR, ACR, CHQ, PHN, RUC, RUI, RPU	0017-00101-2018	Mounting Screw
SA-019	ARL, CLQ, PIR, PIN, APR, ACR, CHQ, PHN, RUC, RUI, RPU	AK62-00124-0000	Leg Levelers
SA-020	ARL, CLQ, PIR, PIN, APR, ACR, CHQ, PHN, RUC, RUI, RPU	0K66-01131-0000	Rear Stabilizer

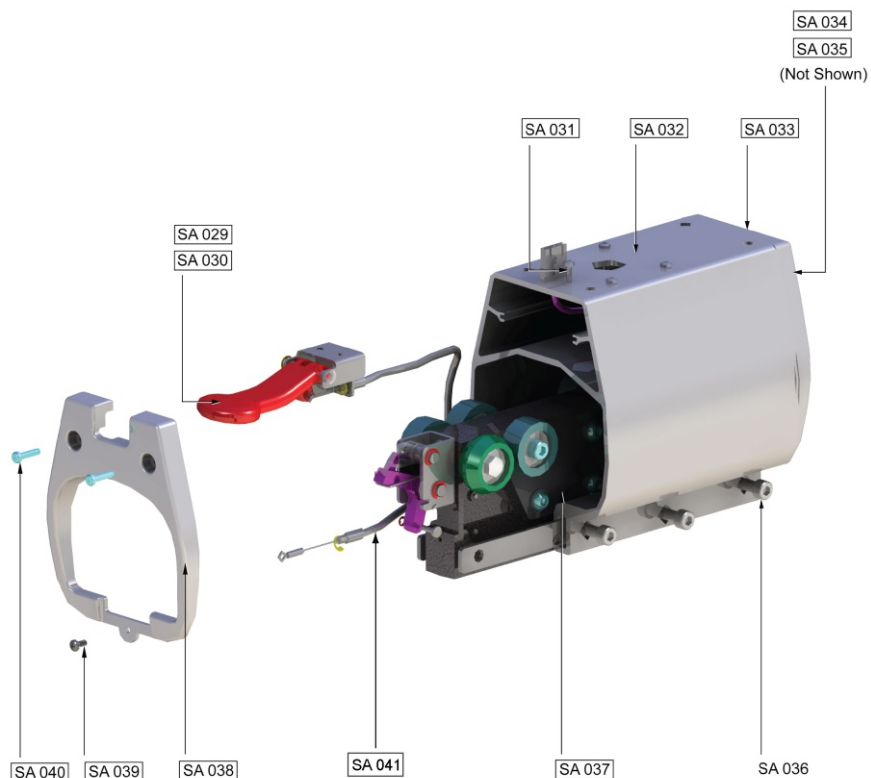
Extrusion Assembly



Part Numbers

Item	Alpha Code(s)	Part Number	Description
SA-021	ARL, CLQ, PIR, PIN, APR, ACR, CHQ, PHN, RUC, RUI, RPU	0017-00101-1882	Stabilizer Mounting Screw
SA-022	ARL, CLQ, PIR, PIN, APR, ACR, CHQ, PHN, RUC, RUI, RPU	0017-00104-0469	Washer
SA-023	ARL, CLQ, PIR, PIN, APR, ACR, CHQ, PHN, RUC, RUI, RPU	0017-00101-1882	Stabilizer Mounting Screw
SA-024	ARL, CLQ, PIR, PIN, APR, ACR, CHQ, PHN, RUC, RUI, RPU	AK66-00031-0000	Extrusion W/ Inserts
SA-025	ARL, CLQ, PIR, PIN, APR, ACR, CHQ, PHN, RUC, RUI, RPU	0017-00104-0469	Washer
SA-026	ARL, CLQ, PIR, PIN, APR, ACR, CHQ, PHN, RUC, RUI, RPU	0K66-01023-0000	Rack
SA-027	ARL, CLQ, PIR, PIN, APR, ACR, CHQ, PHN, RUC, RUI, RPU	0017-00101-1891	Rack Mounting Screw
SA-028	ARL, CLQ, PIR, PIN, APR, ACR, CHQ, PHN, RUC, RUI, RPU	0K66-01061-0000	Decal

Carriage Assembly



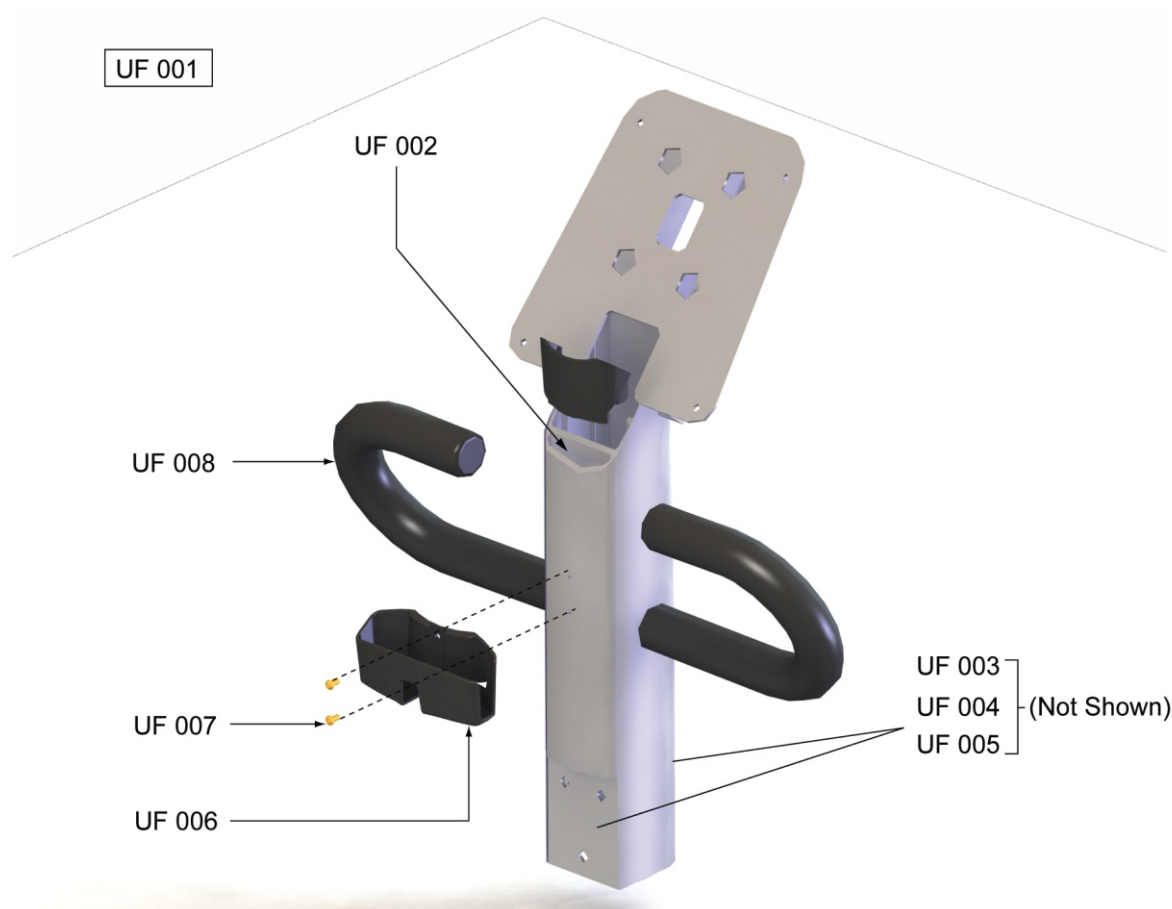
Part Numbers

Item	Alpha Code(s)	Part Number	Description
SA-029	ARL, CLQ, PIR, PIN, APR, ACR, CHQ, PHN, RUC, RUI, RPU	AK66-00027-0000	Handle Assembly
SA-030	PIR, PIN	AK66-00027-0001	Handle Assembly For LFI
SA-031	ARL, CLQ, PIR, PIN, APR, ACR, CHQ, PHN, RUC, RUI, RPU	0017-00101-1874	Handle Mounting Screw
SA-032	ARL, CLQ, PIR, PIN, APR, ACR, CHQ, PHN, RUC, RUI, RPU	0K66-01028-0000	Seat Carriage
SA-033	ARL, CLQ, PIR, PIN, APR, ACR, CHQ, PHN, RUC, RUI, RPU	AK66-00087-0000	Rear Carriage Cover
SA-034	ARL, CLQ, PIR, PIN, APR, ACR, CHQ, PHN, RUC, RUI, RPU	0017-00101-2009	Rear Cover Mounting Screw
SA-035	ARL, CLQ, PIR, PIN, APR, ACR, CHQ, PHN, RUC, RUI, RPU	0017-00101-0233	Rear Cover Mounting Screw
SA-036	ARL, CLQ, PIR, PIN, APR, ACR, CHQ, PHN, RUC, RUI, RPU	0017-00101-1881	Stabilizer Mounting Screw
SA-037	ARL, CLQ, PIR, PIN, APR, ACR, CHQ, PHN, RUC, RUI, RPU	AK66-00009-0000	Roller Assembly
SA-038	ARL, CLQ, PIR, PIN, APR, ACR, CHQ, PHN, RUC, RUI, RPU	0K66-01034-0000	Front Carriage Cover
SA-039	ARL, CLQ, PIR, PIN, APR, ACR, CHQ, PHN, RUC, RUI, RPU	0017-00101-0233	Front Cover Mounting Screw
SA-040	ARL, CLQ, PIR, PIN, APR, ACR, CHQ, PHN, RUC, RUI, RPU	0017-00101-2009	Front Cover Mounting Screw
SA-041	ARL, CLQ, PIR, PIN, APR, ACR, CHQ, PHN, RUC, RUI, RPU	0K66-01029-0000	Adjustable Cable: Recumbent Seat

Upper Frame

Monocolumn Assembly

ONLY for Alpha codes listed below:



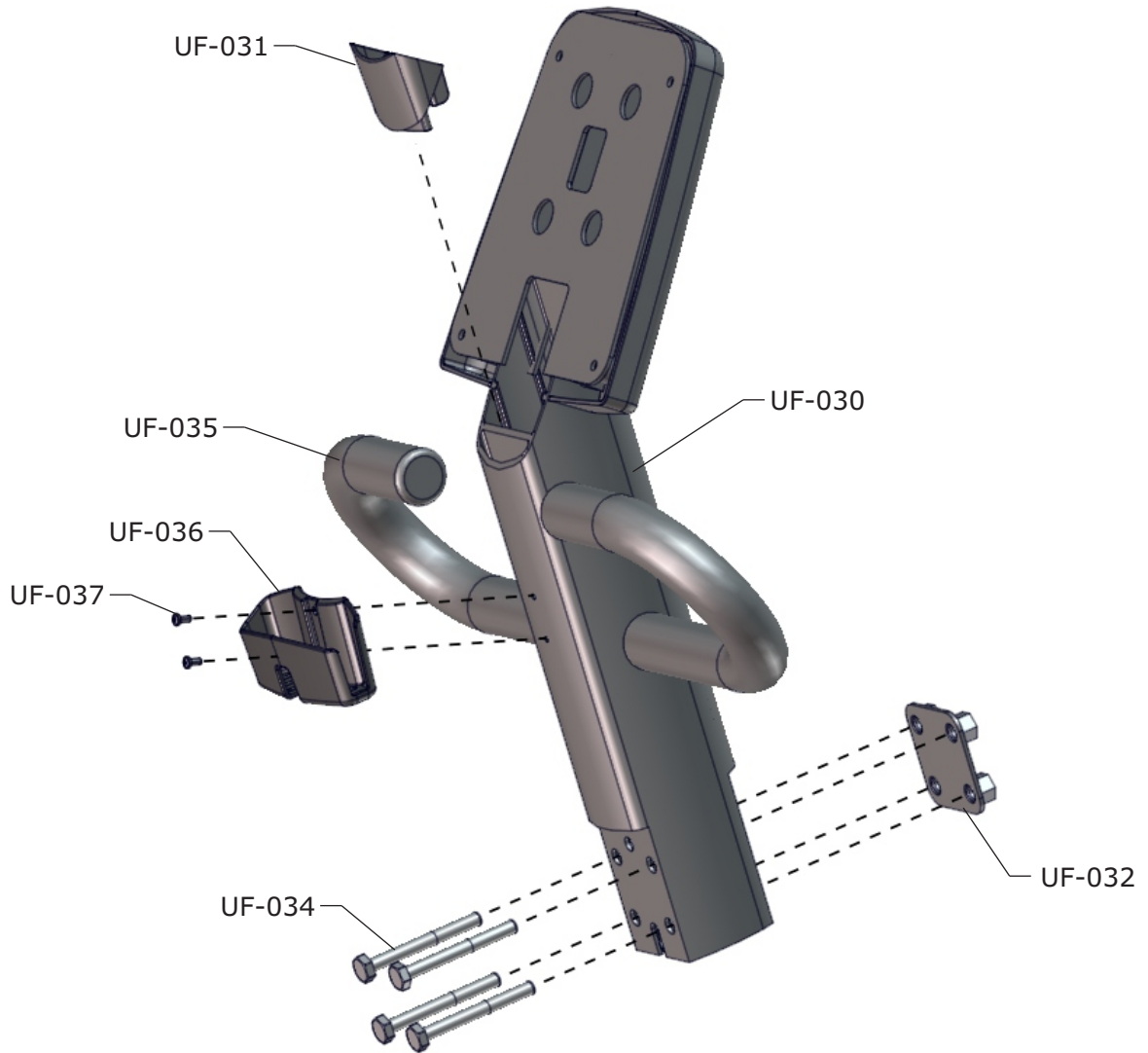
Part Numbers

Item	Alpha Code(s)	Part Number	Description
UF-001	ARL, CLQ, PIR, PIN, APR, ACR, CHQ, PHN	AK66-00038-0000	Monocolumn Assembly
UF-002	ARL, CLQ, PIR, PIN, APR, ACR, CHQ, PHN	0K66-01099-0000	Monocolumn Cover
UF-003	ARL, CLQ, PIR, PIN, APR, ACR, CHQ, PHN	0K67-01117-0000	Nut Plate
UF-004	ARL, CLQ, PIR, PIN, APR, ACR, CHQ, PHN	0K67-01118-0000	Bracket Plate
UF-005	ARL, CLQ, PIR, PIN, APR, ACR, CHQ, PHN	0017-00101-2035	Mounting Screw
UF-006	ARL, CLQ, PIR, PIN, APR, ACR, CHQ, PHN	0K66-01112-0000	I-pod Bracket
UF-007	ARL, CLQ, PIR, PIN, APR, ACR, CHQ, PHN	0017-00101-1732	I-pod Bracket Mounting Screw
UF-008	ARL, CLQ, PIR, PIN, APR, ACR, CHQ, PHN	0K66-01072-0000	Grip

Upper Frame

Monocolumn Assembly

ONLY for Alpha codes: RUC, RUI, RPU



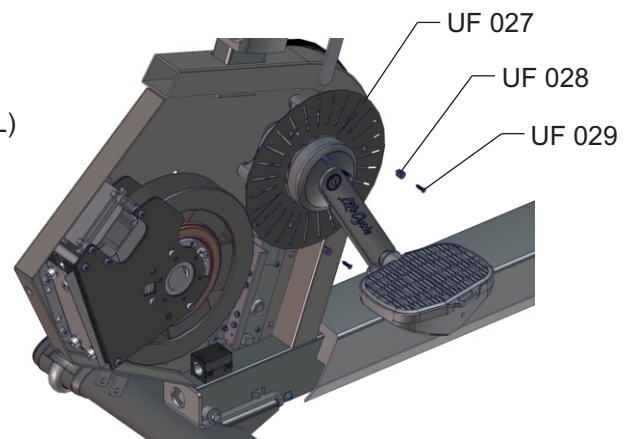
Item	Alpha Code(s)	Part Number	Description
UF-030	RUC, RUI, RPU	AK66-00156-0000	Monocolumn Assembly
UF-031	RUC, RUI, RPU	0K66-01099-0000	Monocolumn Cover
UF-032	RUC, RUI, RPU	AK66-00158-0000	Nut Plate
UF-034	RUC, RUI, RPU	0017-00101-2035	Bolt (4)
UF-035	RUC, RUI, RPU	0K66-01072-0000	Grip (2)
UF-036	RUC, RUI, RPU	0K66-01112-0000	I-pod Bracket
UF-037	RUC, RUI, RPU	0017-00101-1732	I-pod Bracket Mounting Screw

Shrouds



ONLY Alpha Codes: RUC, RUI, RPU

(INTERNAL)



Part Numbers

Item	Alpha Code(s)	Part Number	Description
UF-009	ARL, CLQ, PIR, PIN, APR, ACR, CHQ, PHN, RUC, RUI, RPU	0017-00101-1796	Mounting Screw
UF-010	ARL, CLQ, PIR, PIN, APR, ACR, CHQ, PHN, RUC, RUI, RPU	0K66-01100-0000	Console Back Cover
UF-011	ARL, CLQ, PIR, PIN, APR, ACR, CHQ, PHN, RUC, RUI, RPU	0K67-01061-0000	Console Rear Middle Shroud
UF-012	ARL, CLQ, PIR, PIN, APR, ACR, CHQ, PHN, RUC, RUI, RPU	AK66-00055-0000	Cup Holder
UF-013	ARL, CLQ, PIR, PIN, APR, ACR, CHQ, PHN, RUC, RUI, RPU	0017-00101-2030	Mounting Screw
UF-014	ARL, CLQ, PIR, PIN, APR, ACR, CHQ, PHN, RUC, RUI, RPU	0K67-01055-0000	Cup
UF-015	ARL, CLQ, PIR, PIN, APR, ACR, CHQ, PHN, RUC, RUI, RPU	0K66-01055-0000	Rear End Cap Mounting Screw
UF-016	ARL, CLQ, PIR, PIN, APR, ACR, CHQ, PHN, RUC, RUI, RPU	0017-00101-1796	Mounting Screw
UF-017*	ARL, CLQ, PIR, PIN, APR, ACR, CHQ, PHN, RUC, RUI, RPU	AK66-00044-0004	Right Rear Shroud W/ Decal - Shadow Gray
UF-018*	ARL, CLQ, PIR, PIN, APR, ACR, CHQ, PHN, RUC, RUI, RPU	AK66-00045-0004	Left Rear Shroud W/ Decal - Shadow Gray
UF-019	ARL, CLQ, PIR, PIN, APR, ACR, CHQ, PHN, RUC, RUI, RPU	0017-00101-1796	Mounting Screw
UF-020	ARL, CLQ, PIR, PIN, APR, ACR, CHQ, PHN, RUC, RUI, RPU	0K66-01059-0000	Middle Shroud
UF-021	ARL, CLQ, PIR, PIN, APR, ACR, CHQ, PHN, RUC, RUI, RPU	0017-00101-1796	Mounting Screw
UF-022*	APR, ACR, AHR, RPU	AK66-00042-0004	Front Right Shroud CS Decal Shadow Gray & Vents
UF-022*	ARL, CLQ, PIR, PIN, CHQ, PHN, RUC, RUI	AK66-00042-0003	Front Right Shroud LF Decal Shadow Gray & Vents
UF-023*	APR, ACR, AHR, RPU	AK66-00043-0004	Front Left Shroud CS Decal Shadow Gray & Vents
UF-023*	ARL, CLQ, PIR, PIN, CHQ, PHN, RUC, RUI	AK66-00043-0003	Front Left Shroud LF Decal Shadow Gray & Vents
UF-024	ARL, CLQ, PIR, PIN, APR, ACR, CHQ, PHN, RUC, RUI, RPU	0017-00101-1796	Mounting Screw
UF-025	ARL, CLQ, PIR, PIN, APR, ACR, CHQ, PHN, RUC, RUI, RPU	0K65-01264-0000	LF Bug
UF-026	ARL, CLQ, PIR, PIN, APR, ACR, CHQ, PHN, RUC, RUI, RPU	0K66-01057-0000	Media Holder
UF-027	RUC, RUI, RPU	0K66-01267-0000	GBC Shield
UF-028	RUC, RUI, RPU	0017-00042-1134	Grommet (3)
UF-029	RUC, RUI, RPU	0017-00101-2103	Mounting Screw (3)

* Two-tone shrouds no longer available

Heart Rate System

Seat Handle Components



Part Numbers

Item	Alpha Code(s)	Part Number	Description
HR-001	ARL, CLQ, PIR, PIN, APR, ACR, CHQ, PHN, RUC, RUI, RPU	AK66-00102-0000	Cable
HR-002	ARL, CLQ, PIR, PIN, APR, ACR, CHQ, PHN, RUC, RUI, RPU	0017-00101-1881	Stabilizer Mounting Screw
HR-003	ARL, CLQ, PIR, PIN, APR, ACR, CHQ, PHN, RUC, RUI, RPU	0017-00104-0469	Washer
HR-004	ARL, CLQ, PIR, PIN, APR, ACR, CHQ, PHN, RUC, RUI, RPU	AK66-00062-0000	Right Seat Handlebar
HR-005	ARL, CLQ, PIR, PIN, APR, ACR, CHQ, PHN, RUC, RUI, RPU	AK66-00081-0000	Seat Frame Weldment
HR-006	ARL, CLQ, PIR, PIN, APR, ACR, CHQ, PHN, RUC, RUI, RPU	0017-00101-1881	Stabilizer Mounting Screw
HR-007	ARL, CLQ, PIR, PIN, APR, ACR, CHQ, PHN, RUC, RUI, RPU	AK66-00062-0001	Left Seat Handlebar
HR-008	ARL, CLQ, PIR, PIN, APR, ACR, CHQ, PHN, RUC, RUI, RPU	AK66-00101-0000	Cable Assembly
HR-009	ARL, CLQ, PIR, PIN, APR, ACR, CHQ, PHN, RUC, RUI, RPU	0017-00101-1881	Stabilizer Mounting Screw
HR-010	ARL, CLQ, PIR, PIN, APR, ACR, CHQ, PHN, RUC, RUI, RPU	0017-00104-0469	Washer
HR-011	ARL, CLQ, PIR, PIN, APR, ACR, CHQ, PHN, RUC, RUI, RPU	AK63-00014-00004	Right Or Left Electrode
HR-012	ARL, CLQ, PIR, PIN, APR, ACR, CHQ, PHN, RUC, RUI, RPU	0K66-01141-0000	Insulator Plug
HR-013	ARL, CLQ, PIR, PIN, APR, ACR, CHQ, PHN, RUC, RUI, RPU	0017-00101-1720	Mounting Screw (Bottom)
HR-014	ARL, CLQ, PIR, PIN, APR, ACR, CHQ, PHN, RUC, RUI, RPU	0K69-01166-0000	Dummy End Cap
HR-015	ARL, CLQ, PIR, PIN, APR, ACR, CHQ, PHN, RUC, RUI, RPU	0017-00101-2032	Mounting Screw
HR-016	ARL, CLQ, PIR, PIN, APR, ACR, CHQ, PHN, RUC, RUI, RPU	0K66-01143-0000	Seat Frame End Cap
HR-017	ARL, CLQ, PIR, PIN, APR, ACR, CHQ, PHN, RUC, RUI, RPU	0017-00101-2032	Mounting Screw
HR-018	ARL, CLQ, PIR, PIN, APR, ACR, CHQ, PHN, RUC, RUI, RPU	AK69-00100-0000	Left Button Assembly