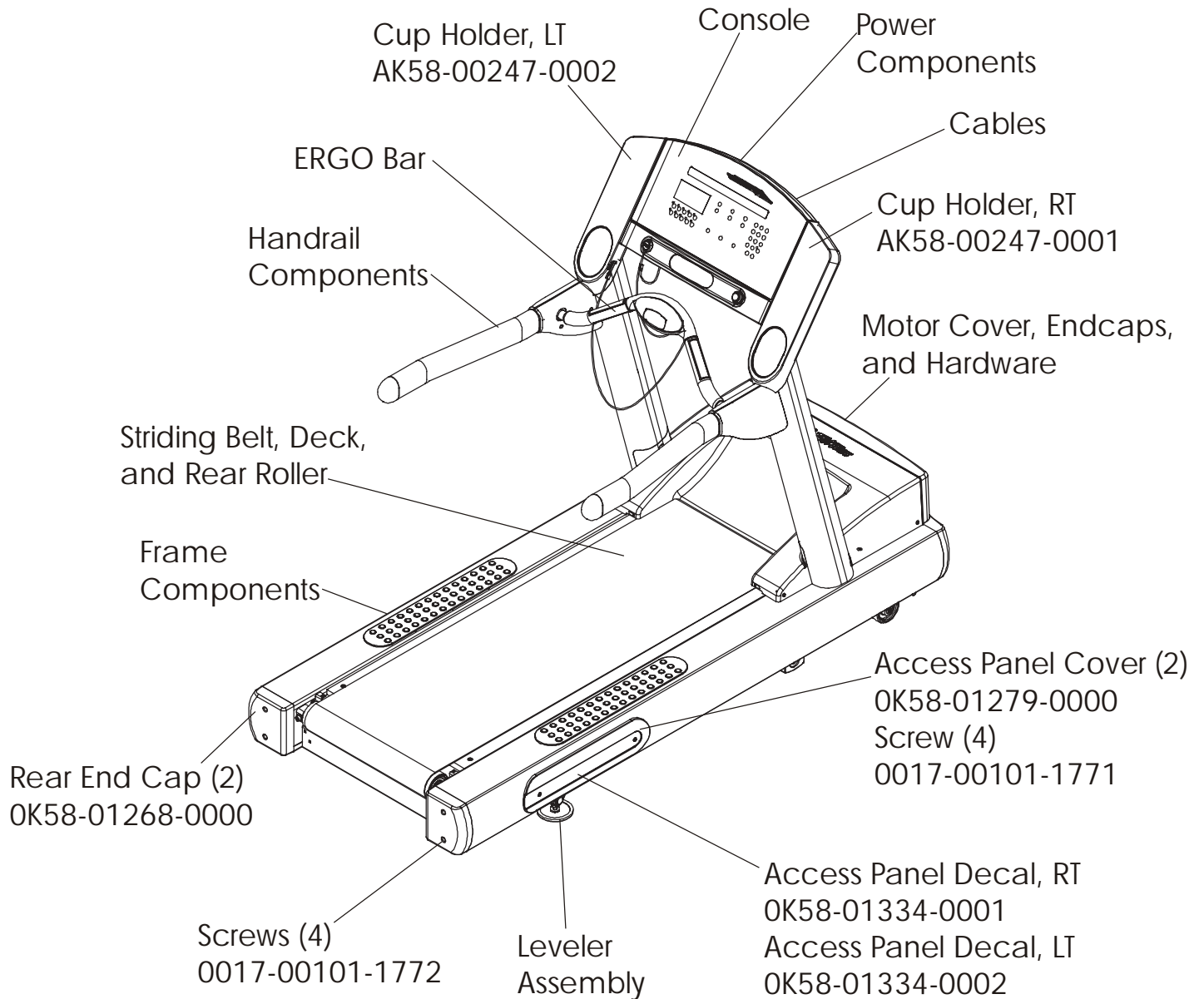


Treadmill 97Ti
General Assembly

97T-0XXXX-01
S/N TTN100000



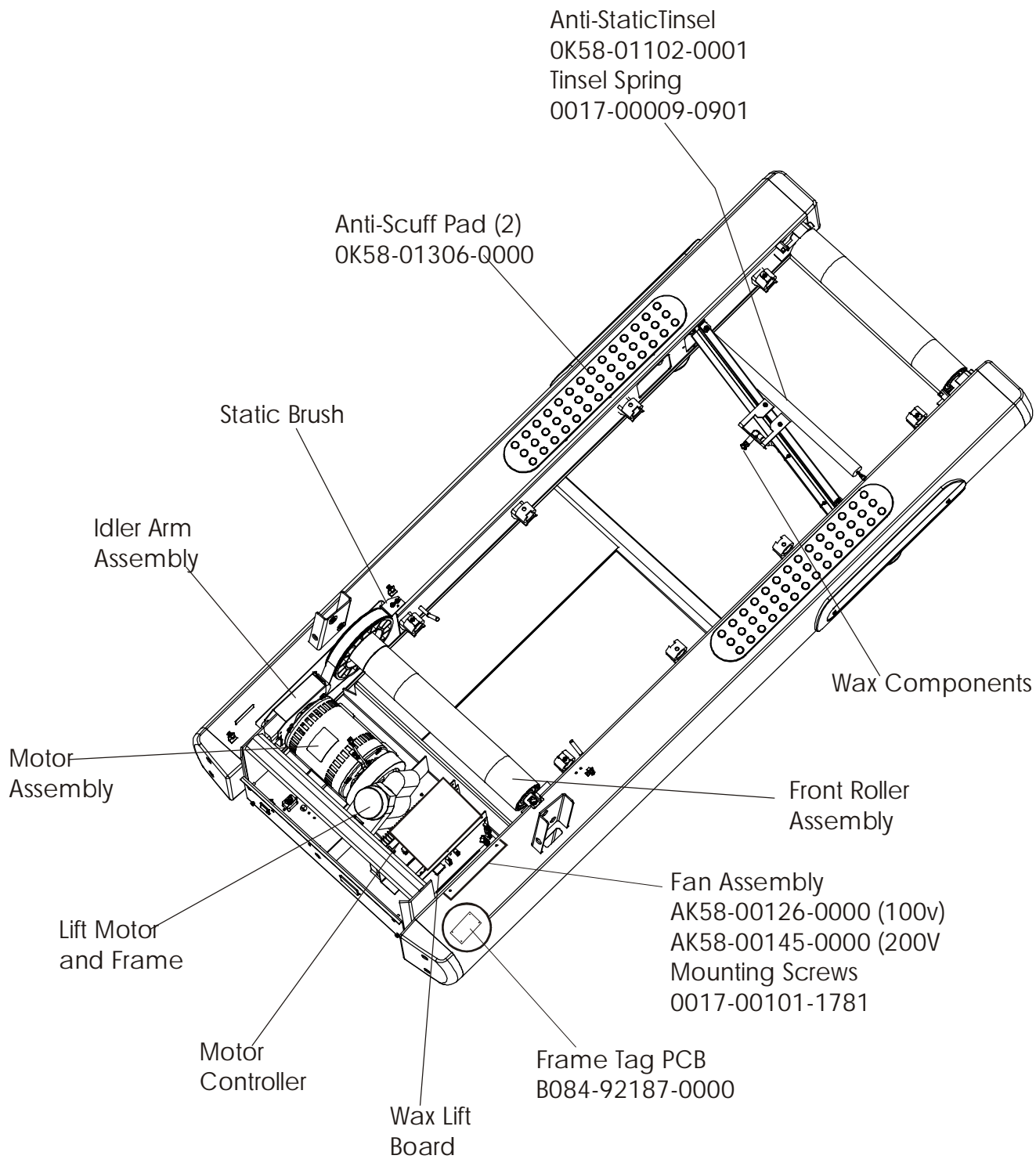
| Touch-Up Paint | Color | Container |
|-----------------|---------------|-----------|
| 0017-00008-0196 | Silver Bullet | Bottle |
| 0017-00008-0197 | Silver Bullet | Spray Can |
| 0017-00008-0198 | Stealth Gray | Bottle |
| 0017-00008-0199 | Stealth Gray | Spray Can |

| Manual/Video | Part Number |
|-----------------------|-----------------|
| Operation Manual, Eng | M051-00K58-A081 |
| Service Manual | M051-00K58-A097 |
| Installation Video | M051-00K58-A098 |
| Service Video | M051-00K58-A099 |

Treadmill 97Ti

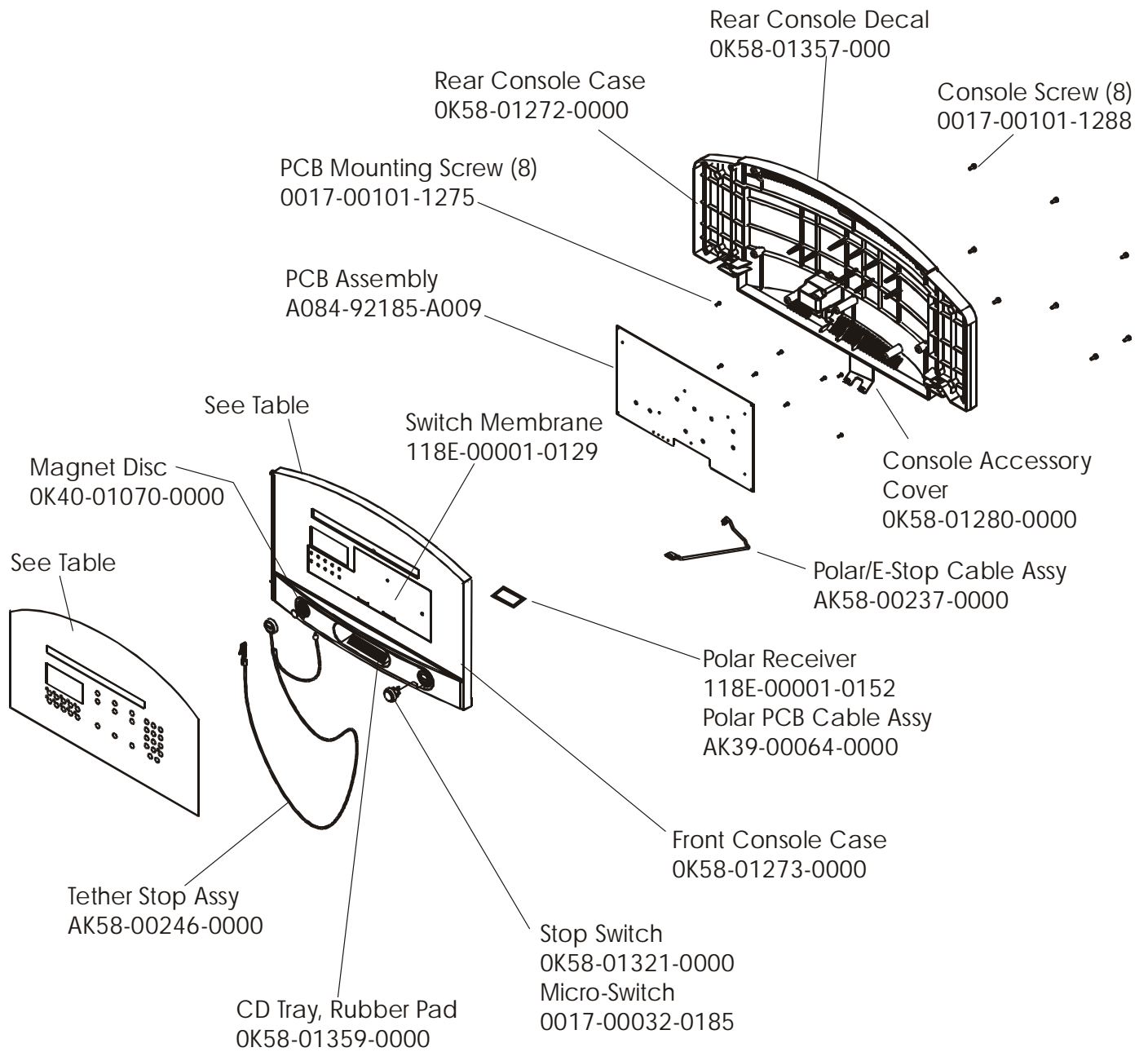
Frame Assembly

97T-0XXXX-01
S/N TTN100000



Treadmill 97Ti
Console Assembly

97T-0XXXX-01
S/N TTN100000



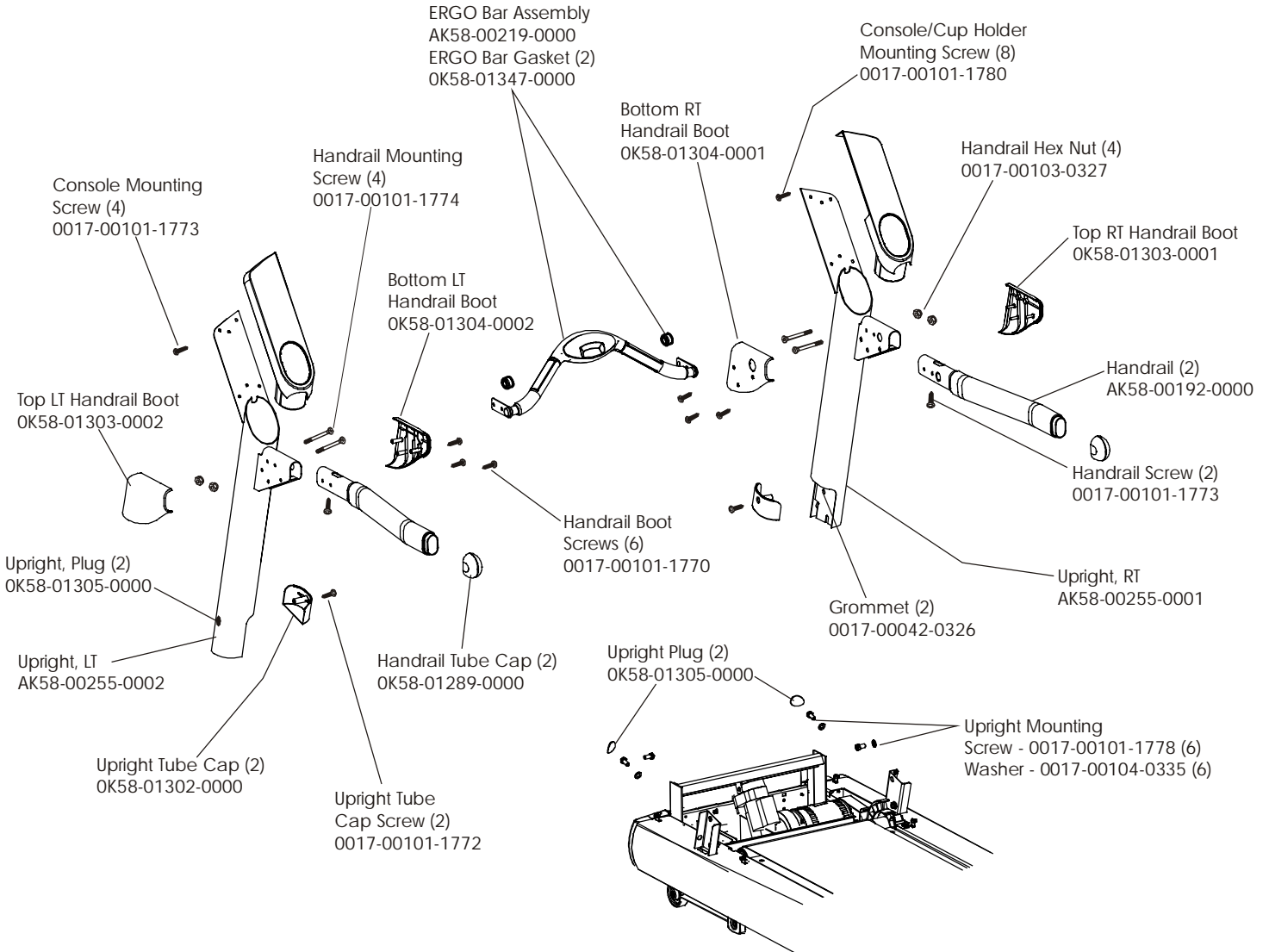
| Console Assembly | Overlay Switch Bezel Assy | Overlay | Language |
|------------------|---------------------------|------------------|------------|
| AK58-00196-0001 | AK58-00202-0001 | OK58-01296-0001 | Eng/Met |
| AK58-00196-0002 | AK58-00202-0001 | OK58-01296-0001 | Eng/Eur |
| AK58-00196-0003 | AK58-00202-0003 | OK58-01296-0003 | German |
| AK58-00196-0004 | AK58-00202-0004 | OK58-01296-0004 | Spanish |
| AK58-00196-0006 | AK58-00202-0006 | OK58-01296-0006 | Japanese |
| AK58-00196-0007 | AK58-00202-0007 | OK58-01296-0007 | French |
| AK58-00196-0008 | AK58-00202-0008 | OK58-01296-0008 | Italian |
| AK58-00196-0009 | AK58-00202-0009 | OK58-01296-0009 | Dutch |
| AK58-00196-00010 | AK58-00202-00010 | OK58-01296-00010 | Portuguese |
| AK58-00196-00011 | AK58-00202-00011 | OK58-01296-00011 | Chinese |

Treadmill 97Ti

Handrail Assembly

97T-0XXXX-01
S/N TTN100000

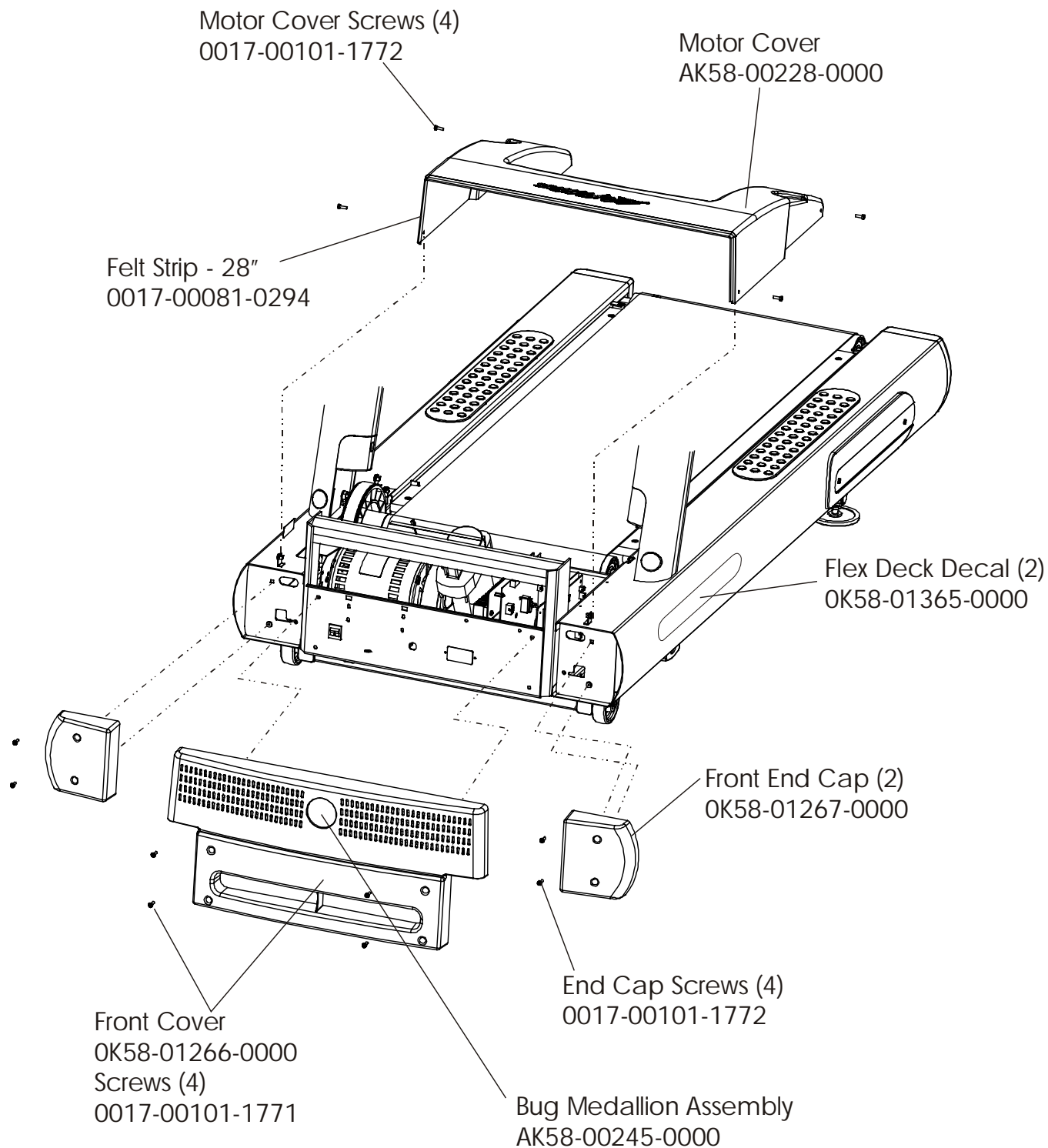
Hardware Bag Assembly
AK58-00226-0000



Treadmill 97Ti

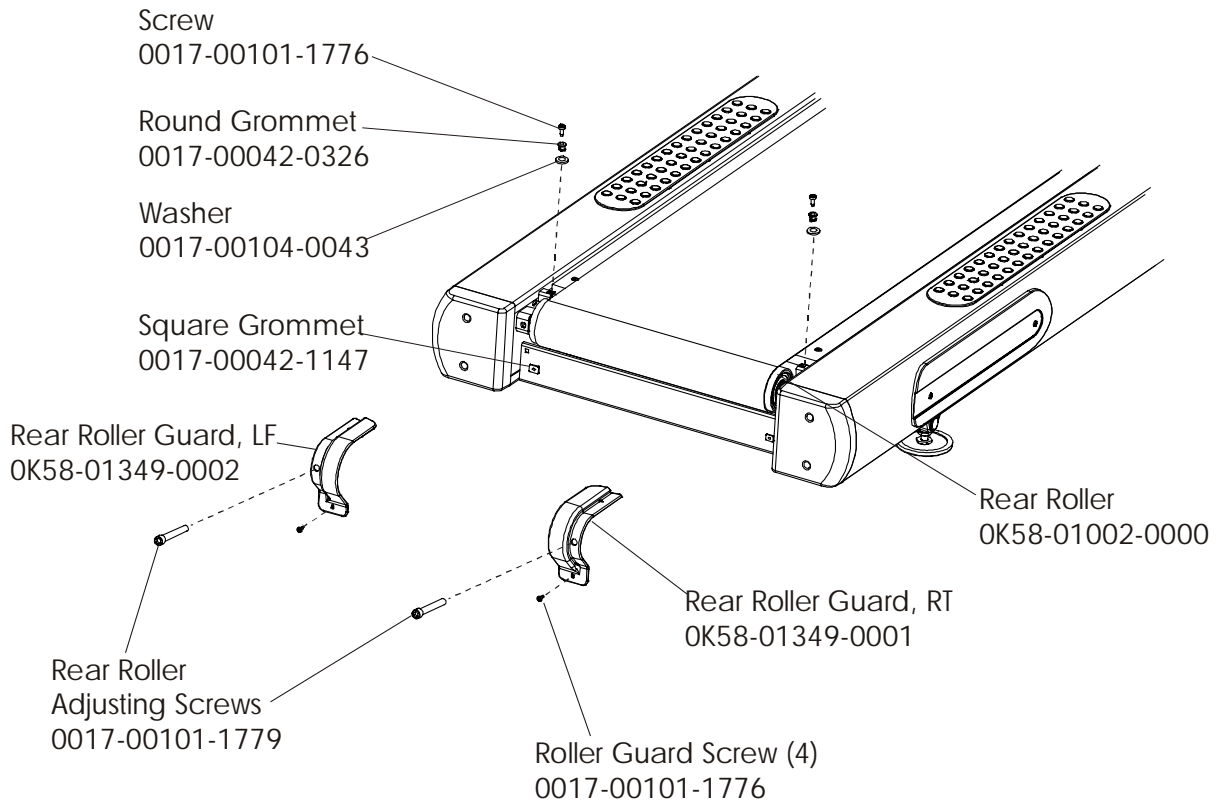
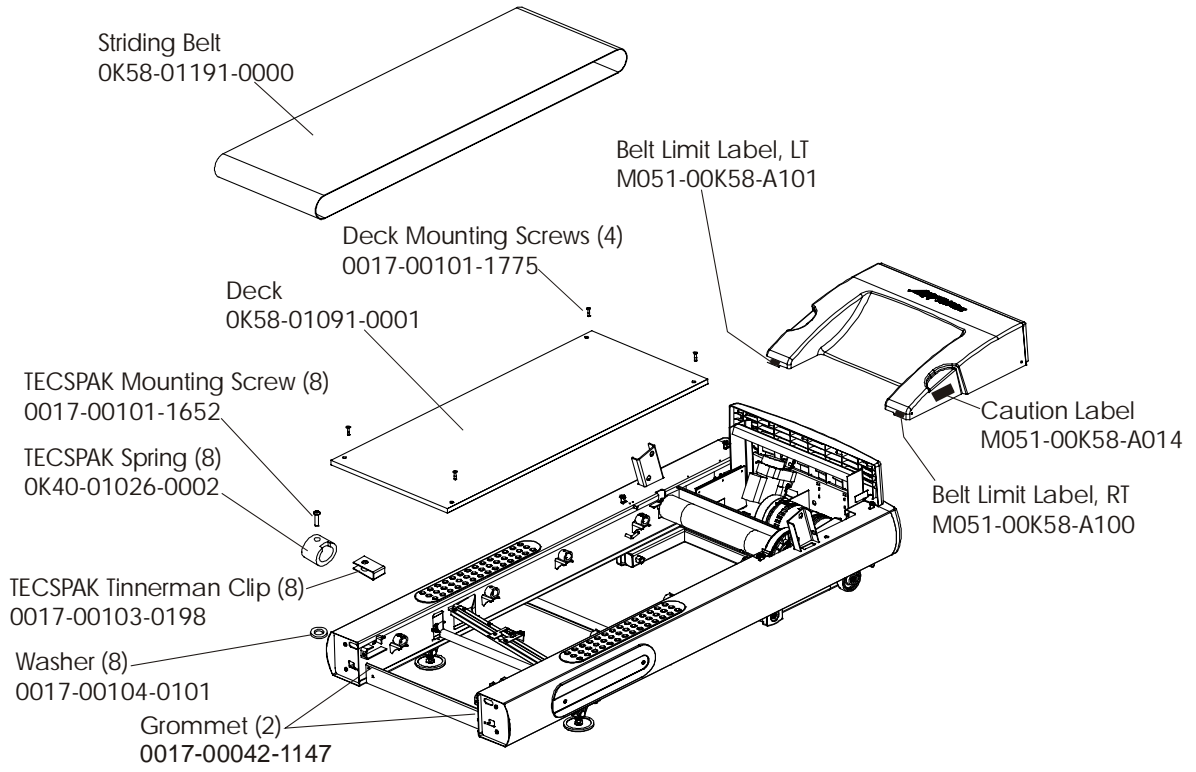
Covers, End Caps, Hardware

97T-0XXXX-01
S/N TTN100000



Treadmill 97Ti
Belt, Deck, Rear Roller

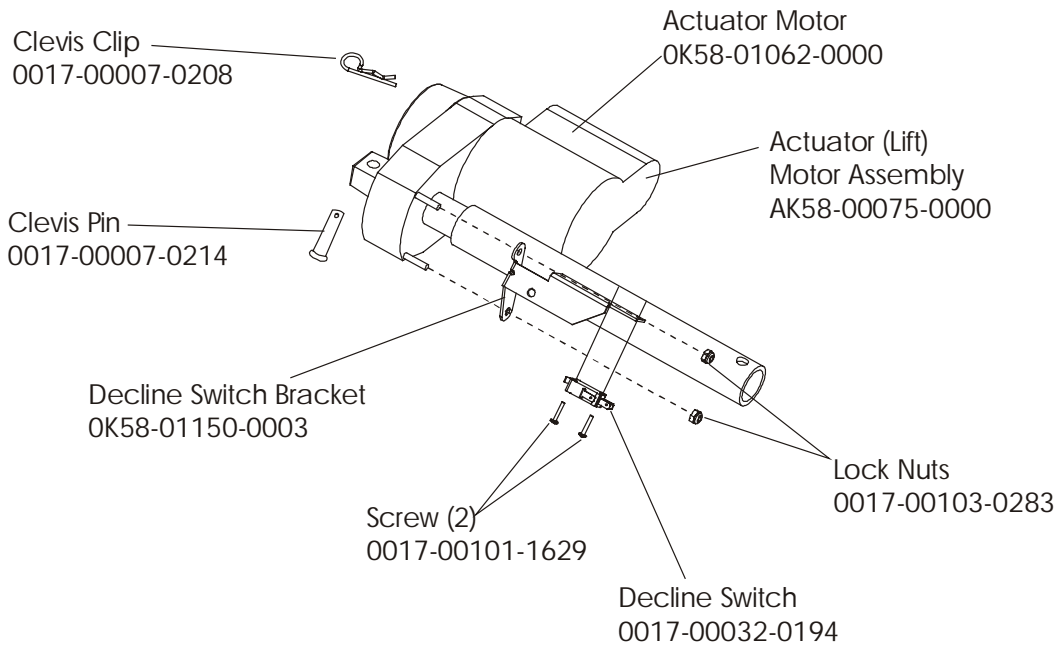
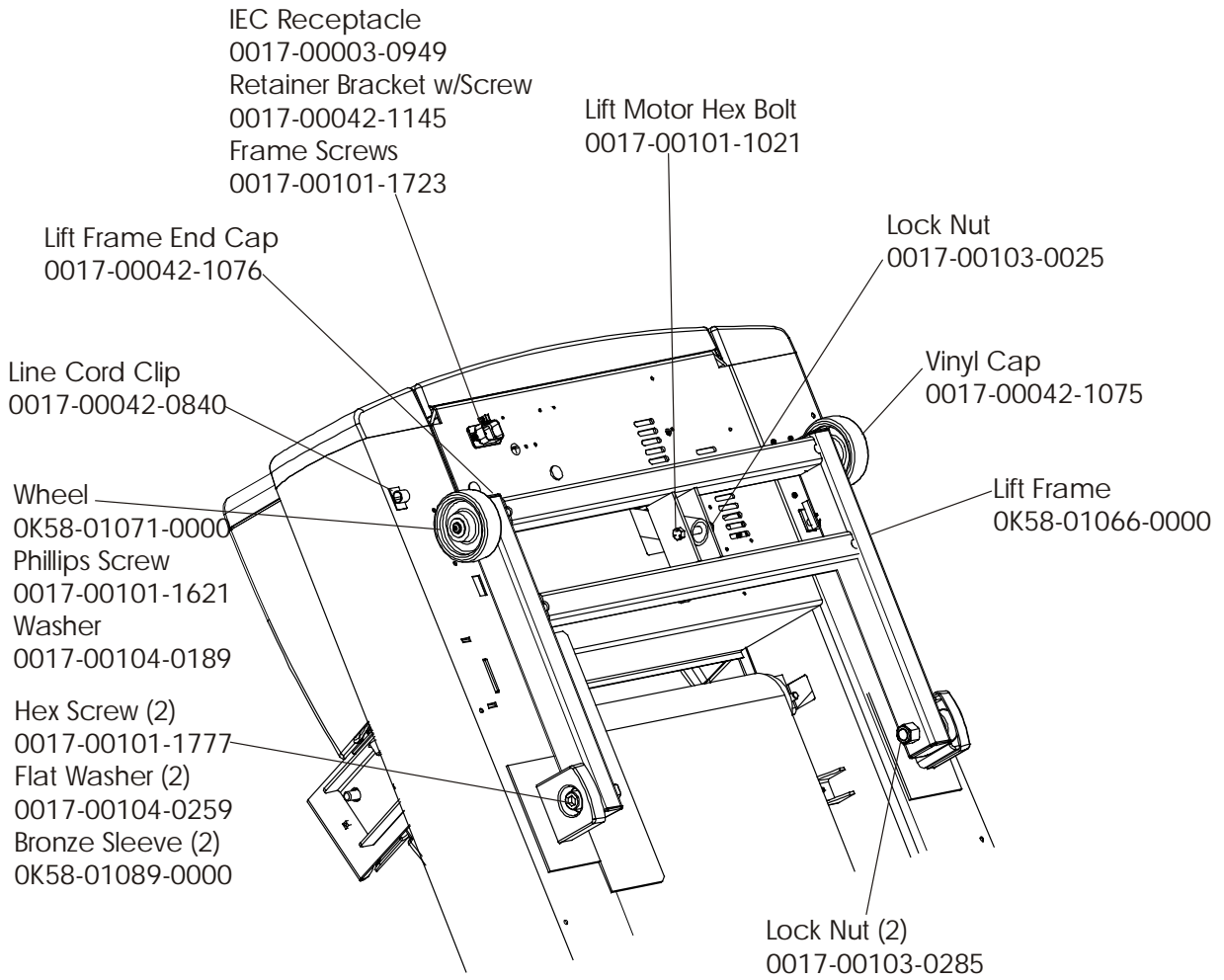
97T-0XXXX-01
S/N TTN100000



NOTE: S/N TTN100264 & Below, use Kit No. GK58-00002-0067

Treadmill 97Ti
Lift Motor and Frame

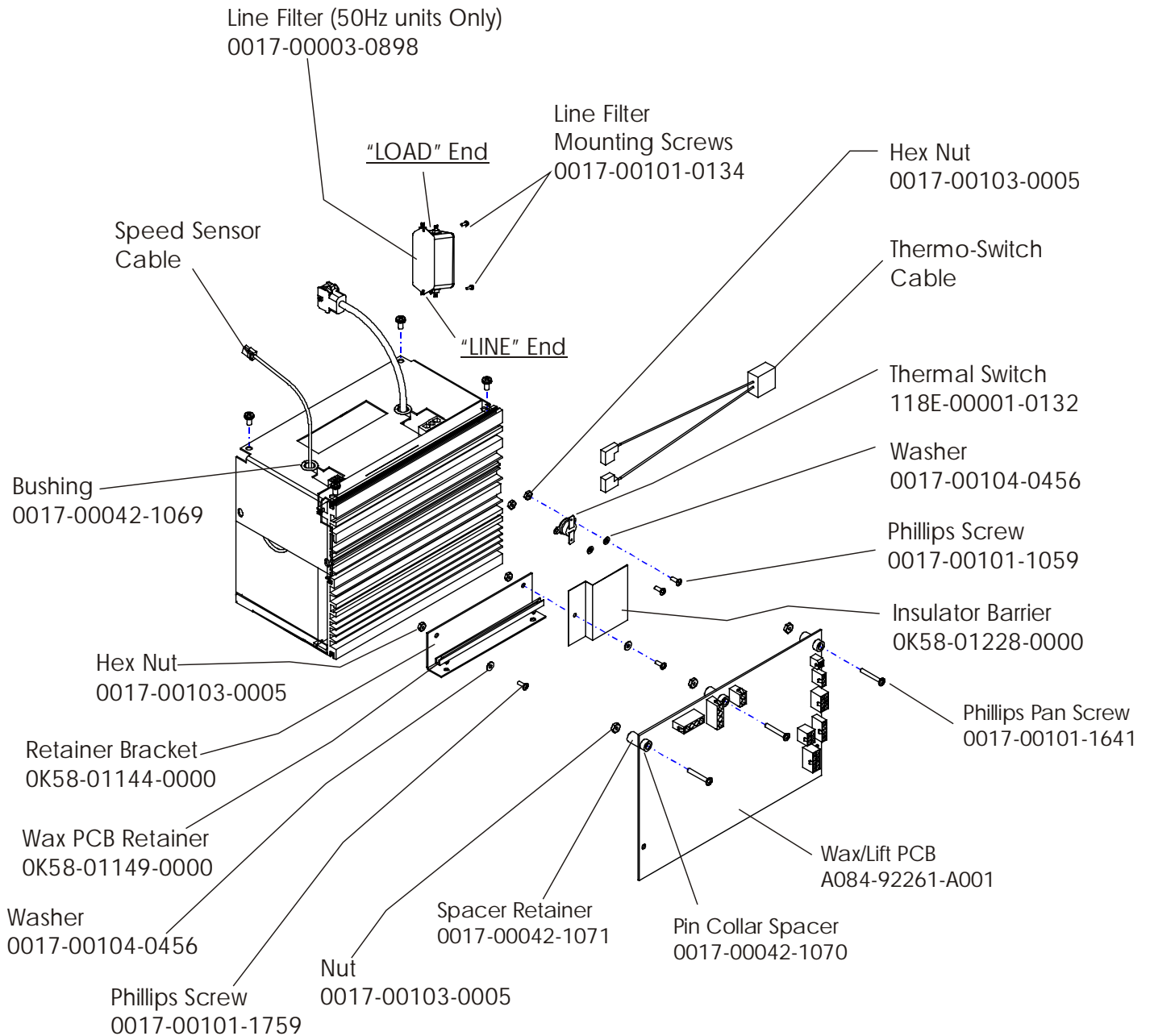
97T-0XXXX-01
S/N TTN100000



Treadmill 97Ti
Wax/Lift & Motor Controller Assy

97T-0XXXX-01
S/N TTN100000

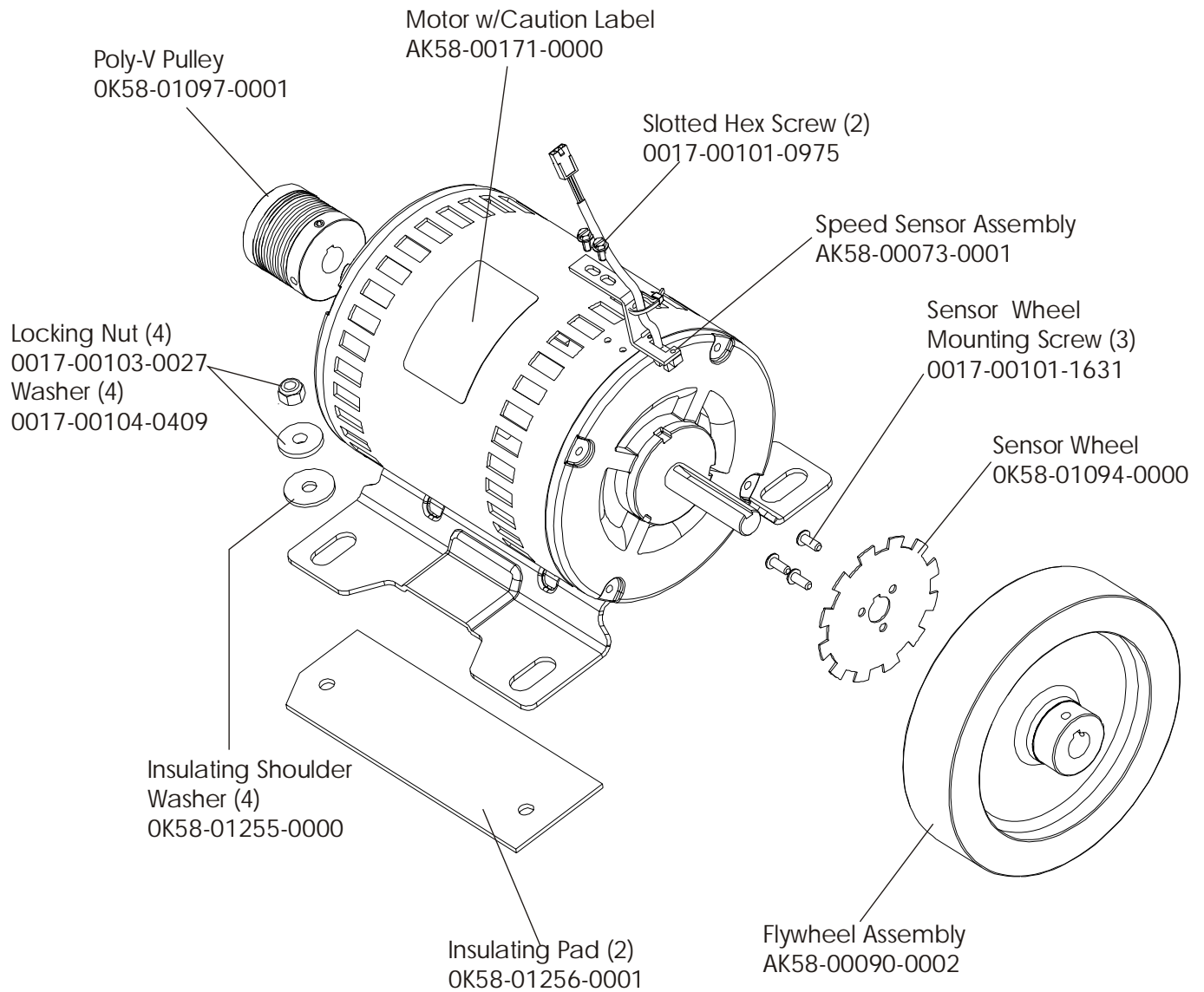
Wax/Lift & Motor Controller Assembly
AK58-00153-0001 (120v/60Hz)
AK58-00153-0002 (230v/50Hz)



Treadmill 97Ti

Drive Motor Assembly

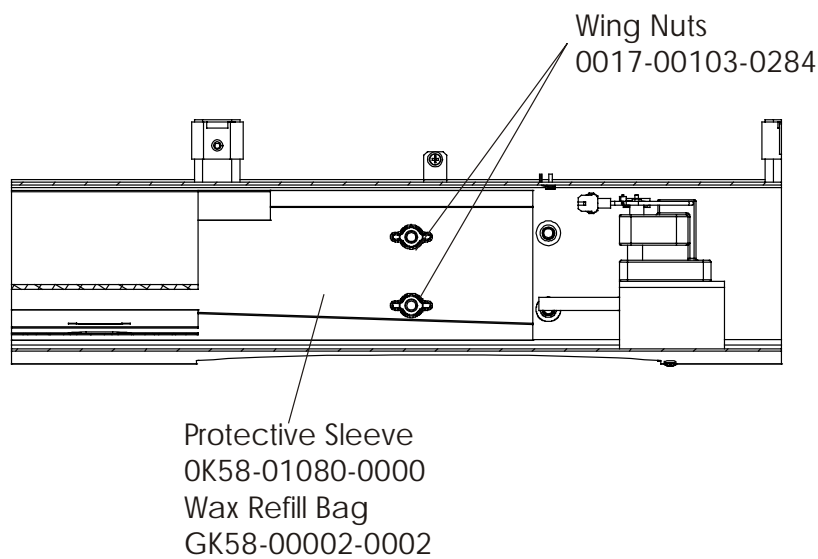
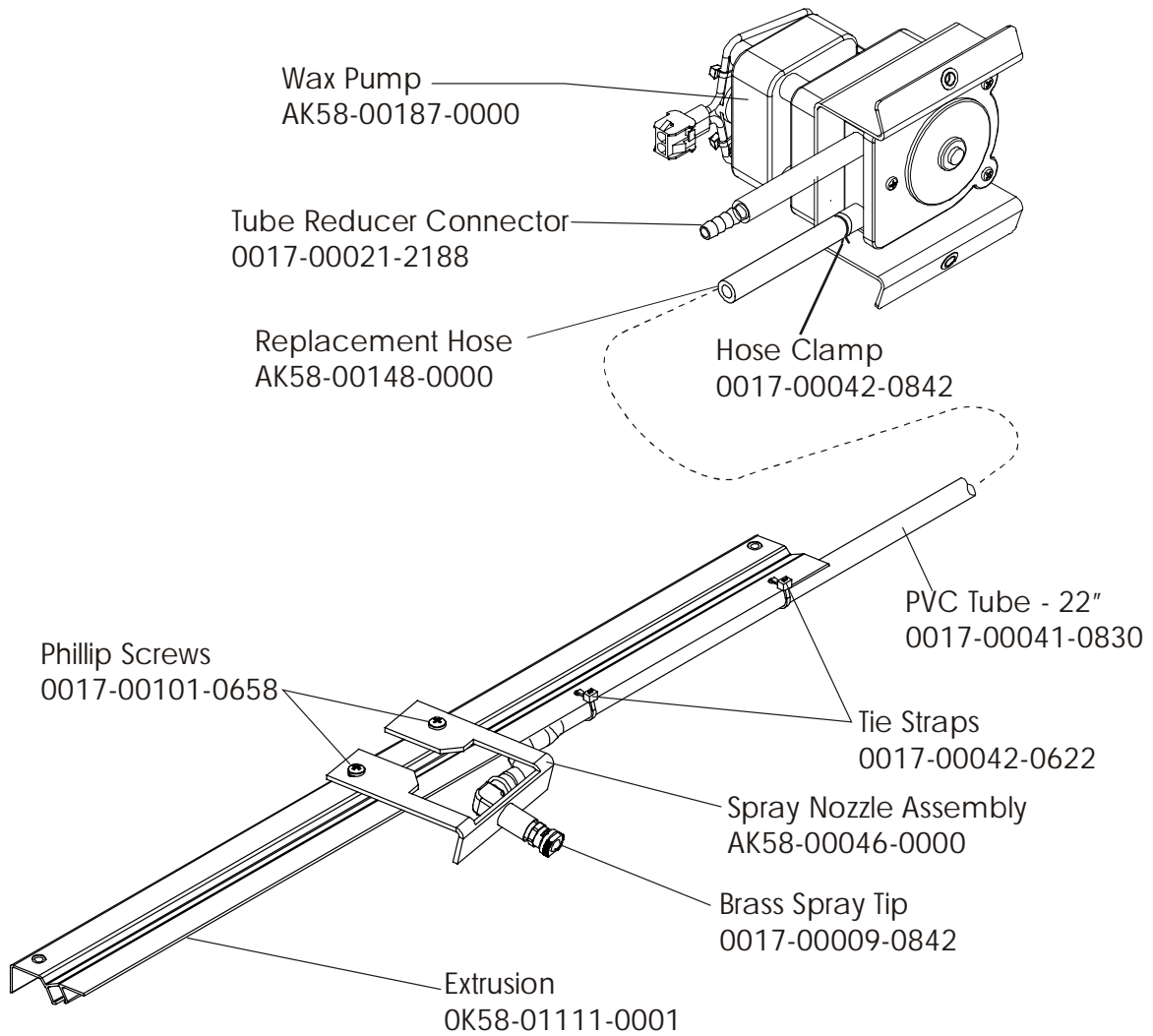
97T-0XXXX-01
S/N TTN100000



Treadmill 97Ti

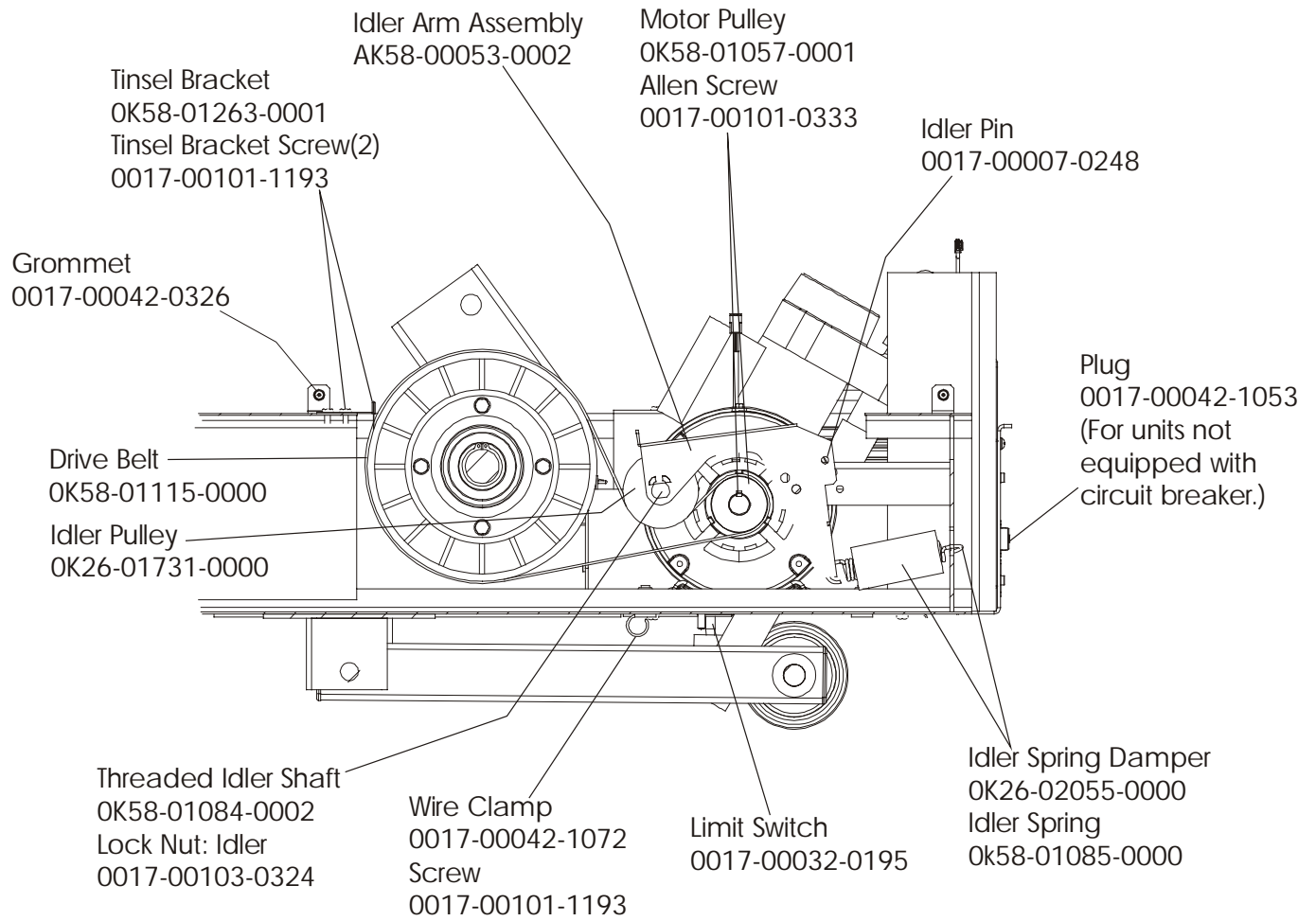
Wax Components

97T-0XXXX-01
S/N TTN100000



Treadmill 97Ti
Idler Arm Assembly

97T-0XXXX-01
S/N TTN100000



Treadmill 97Ti
Leveler Assembly AK58-00052-0000

97T-0XXXX-01
S/N TTN100000

Flat Washer-4
0017-00104-0190

Lock Washer-4
0017-00104-0333

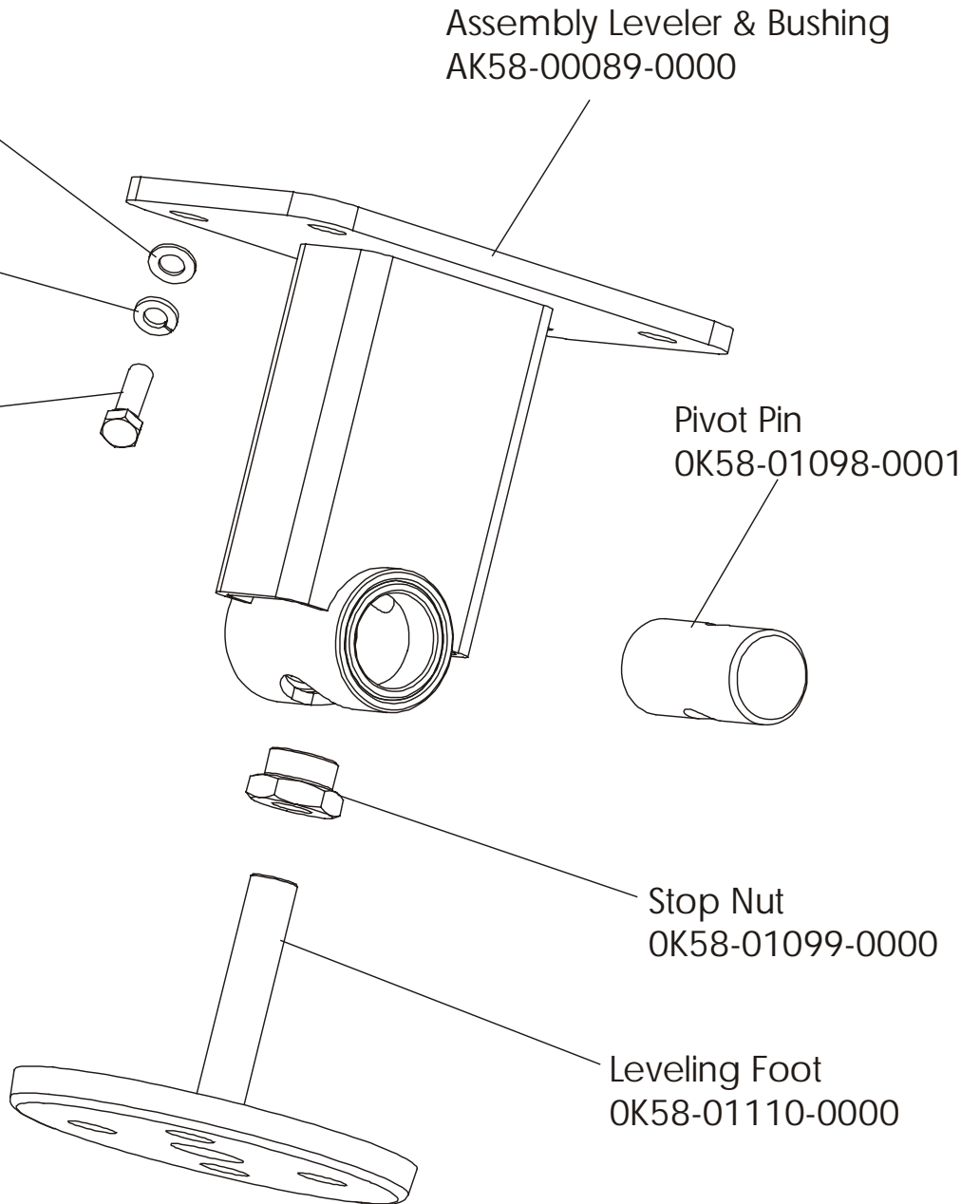
Hex Nut-4
(8-18x10)
0017-00101-1253

Assembly Leveler & Bushing
AK58-00089-0000

Pivot Pin
OK58-01098-0001

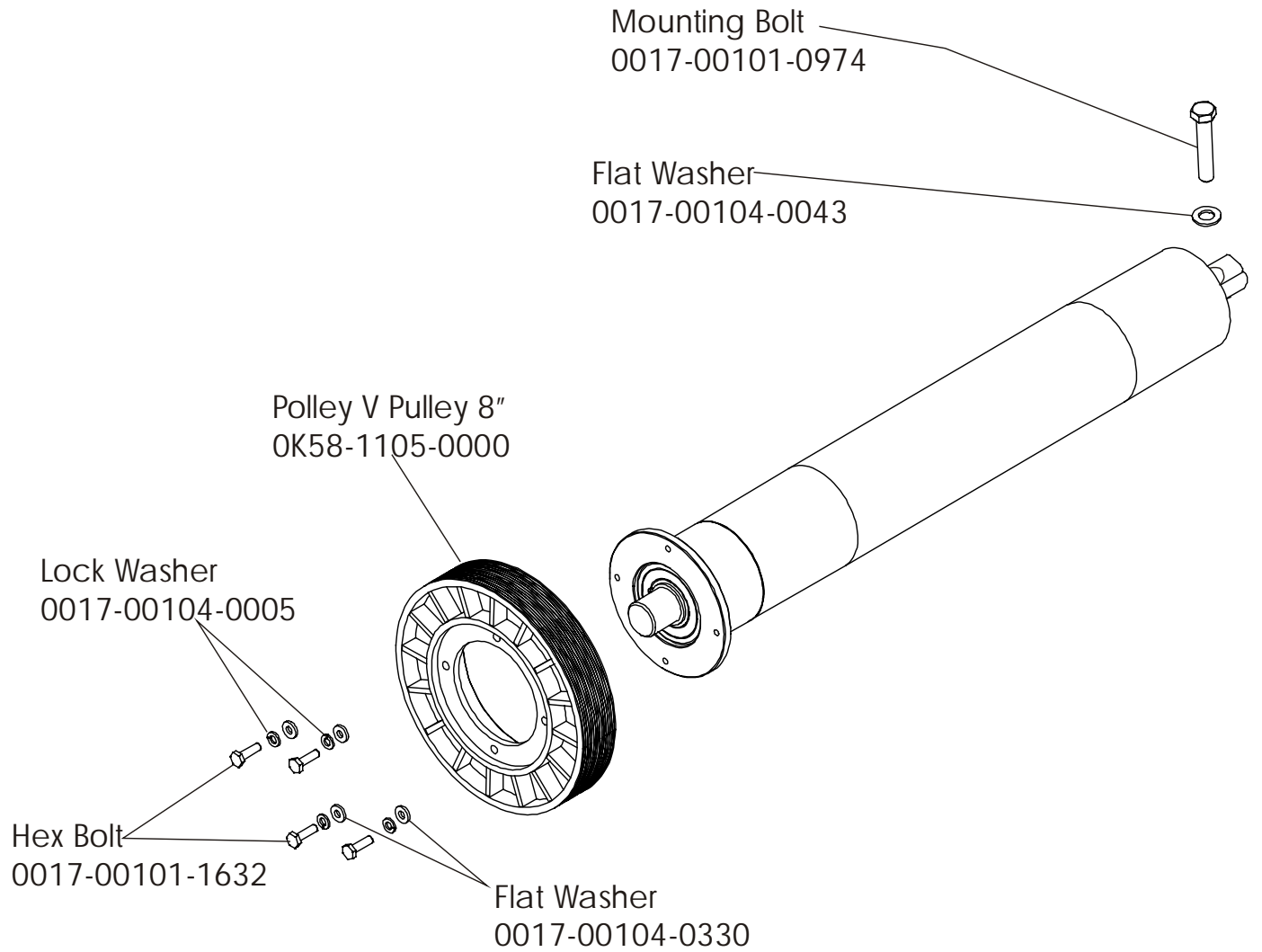
Stop Nut
OK58-01099-0000

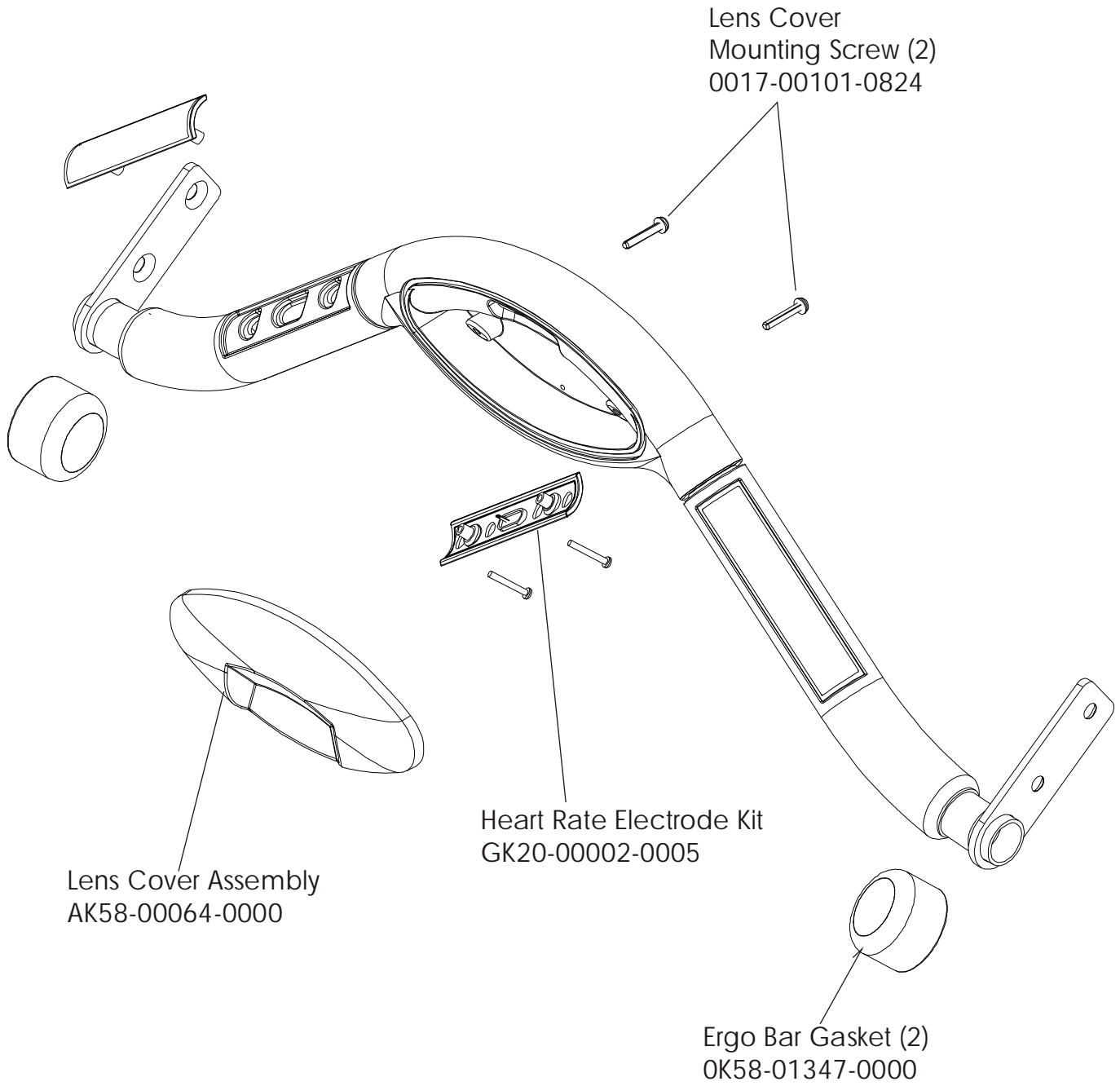
Leveling Foot
OK58-01110-0000



Treadmill 97Ti
Front Roller Assy AK58-00067-0000

97T-0XXXX-01
S/N TTN100000

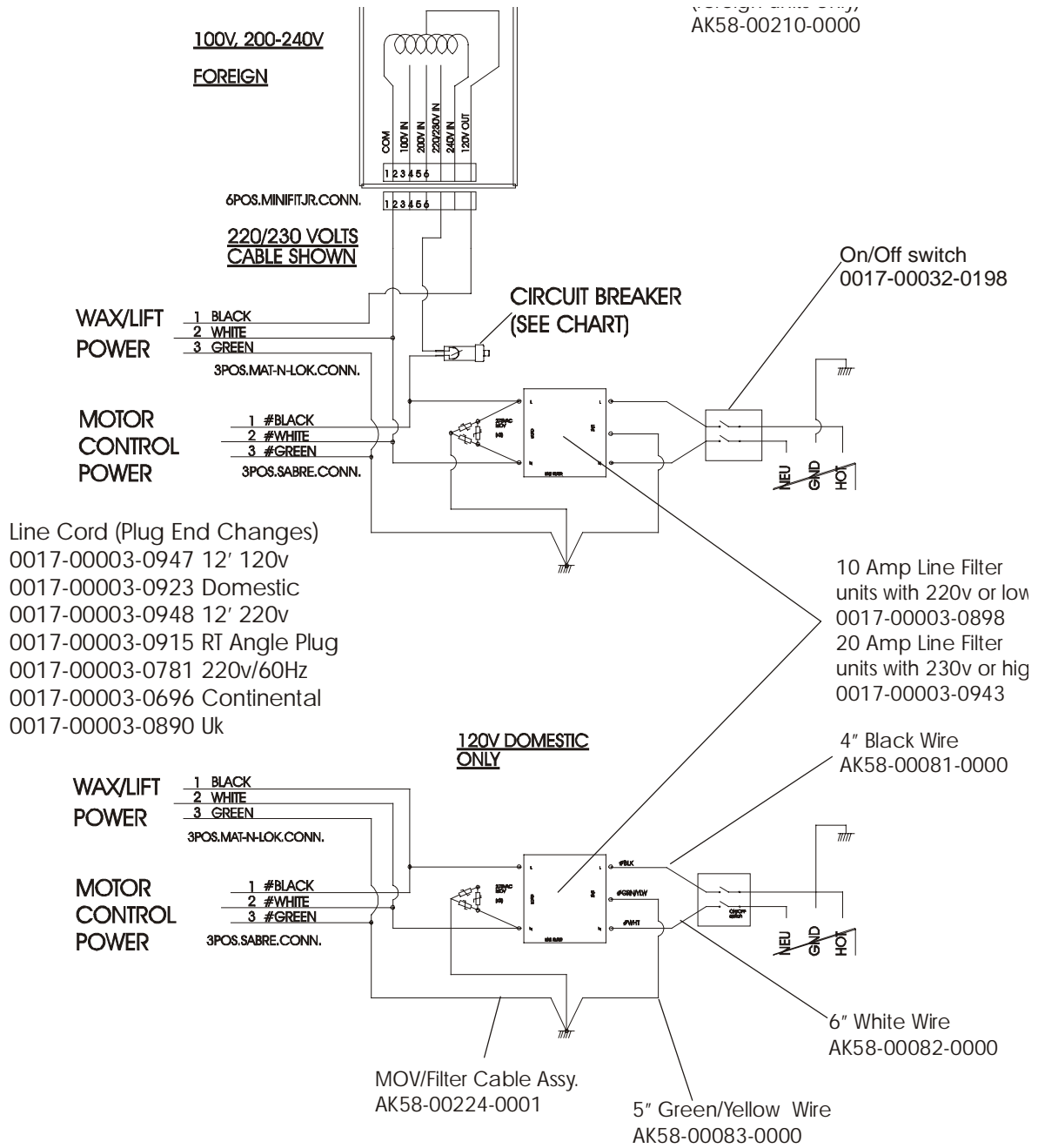




Treadmill 97Ti

Power Components

97T-0XXXX-01
S/N TTN100000



| Voltage | Power Cable Part No. | Breaker AMP/Part No. |
|----------|----------------------|-----------------------|
| 120v | GK58-00002-0061 | Not Used |
| 100v | GK58-00002-0062 | 4 AMP/0017-00003-0950 |
| 200v | GK58-00002-0063 | 2 AMP/0017-00003-0626 |
| 220/230v | GK58-00002-0064 | 2 AMP/0017-00003-0626 |
| 240+ | GK58-00002-0065 | 2 AMP/0017-00003-0626 |

