

Elevation Series Upright Bike

(95C-ALLxx-xx, 97C-ALLxx-xx, 95C-IFlxx-xx, PCSC-ALLxx-xx)

Parts Manual

20.09.11



Table of Contents

Miscellaneous	2
Miscellaneous Part Numbers	2
Console Assembly	3
Consoles	3
Drive System	4
Pedals and Cranks	4
Base Frame Electronics	6
Generator and Related Components	6
Cables	8
Lower Frame	10
Front Stabilizer and Components	10
Battery, Leg Leveler and Rear Stabilizer	11
Upper Frame	12
Monocolumn and Console Mounting Bracket	12
Shrouds	13
Seat and Seat Post Components	15
Heart Rate System	17
Handlebar and Components	17

Miscellaneous

Miscellaneous Part Numbers

Item	Alpha Code(s)	Part Number	Description
MISC-001	ALX, CHV, CLV, AHC, ALC, PIC, PID, APS, ACP, AHP, PHD	0KCD-02001-0000	Operation Manual, CD (Eng) (Available Online)
MISC-002	ALX, CHV, CLV, AHC, ALC, PIC, PID, APS, ACP, AHP, PHD	0017-00003-1037	+36V Power Supply (Standard For Units Equipped With 15" LCD Consoles, Optional For 7" LCD Consoles)
MISC-003	ALX, CHV, CLV, AHC, ALC, PIC, PID, APS, ACP, AHP, PHD	0017-00003-0704	Line Cord 10A, 125 V
MISC-003	ALX, CHV, CLV, AHC, ALC, PIC, PID, APS, ACP, AHP, PHD	0017-00003-0691	Line Cord Cont 10A, 250 V
MISC-003	ALX, CHV, CLV, AHC, ALC, PIC, PID, APS, ACP, AHP, PHD	0017-00003-0889	Line Cord Cont U.K. 10A
MISC-003	ALX, CHV, CLV, AHC, ALC, PIC, PID, APS, ACP, AHP, PHD	0017-00003-0918	Line Cord Cont Australia
MISC-003	ALX, CHV, CLV, AHC, ALC, PIC, PID, APS, ACP, AHP, PHD	0017-00003-1012	Line Cord China 10A, 250 V
MISC-004	ALX, CHV, CLV, AHC, ALC, PIC, PID, APS, ACP, AHP, PHD	0017-00008-0204	Arctic Silver Touch Up Paint: Spray Can
MISC-005	ALX, CHV, CLV, AHC, ALC, PIC, PID, APS, ACP, AHP, PHD	0017-00008-0205	Arctic Silver Touch Up Paint: .5 Oz Bottle W/ Applicator
MISC-006	ALX, CHV, CLV, AHC, ALC, PIC, PID, APS, ACP, AHP, PHD	0017-00008-0206	Arctic Silver Touch Up Paint: .33 Oz Pen
MISC-007	ALX, CHV, CLV, AHC, ALC, PIC, PID, APS, ACP, AHP, PHD	AK66-00036-0000	Bracket Assembly: Power/Coax Input Assembly
MISC-008	ALX, CHV, CLV, AHC, ALC, PIC, PID, APS, ACP, AHP, PHD	0K66-01063-0000	Power Coax Bracket
MISC-009	ALX, CHV, CLV, AHC, ALC, PIC, PID, APS, ACP, AHP, PHD	0017-00021-2846	F-type Panel Connector
MISC-010	ALX, CHV, CLV, AHC, ALC, PIC, PID, APS, ACP, AHP, PHD	0017-00021-2847	Phone Jack Receptacle
MISC-011	ALX, CHV, CLV, AHC, ALC, PIC, PID, APS, ACP, AHP, PHD	AK67-00038-0000	Hardware Bag



Throughout this document, Assemblies are displayed inside a Rectangle

Console Assembly

Consoles



CN-001, CN-002



CN-007, CN-008,
CN-009



CN-003, CN-004,
CN-005, CN-006

Part Numbers

Item	Alpha Code(s)	Part Number	Description
CN-001	ALX, CHV, CLV, AHC, ALC, PIC, PID, APS, ACP, AHP, PHD	07-DN-ALLXX-01	7-in LCD Bike/CT Console
CN-002	ALX, CHV, CLV, AHC, ALC, PIC, PID, APS, ACP, AHP, PHD	07DN-ALLXX-01R	7-in LCD Bike/CT Console (Refurbished)
CN-003	ALX, CHV, CLV, AHC, ALC, PIC, PID, APS, ACP, AHP, PHD	15DN-ALLXN-01	15-in LCD Bike/CT Console - NTSC
CN-004	ALX, CHV, CLV, AHC, ALC, PIC, PID, APS, ACP, AHP, PHD	15DN-ALLXN-01R	15-in LCD Bike/CT Console - NTSC (Refurbished)
CN-005	ALX, CHV, CLV, AHC, ALC, PIC, PID, APS, ACP, AHP, PHD	15DN-ALLXP-01	15-in LCD Bike/CT Console - PAL
CN-006	ALX, CHV, CLV, AHC, ALC, PIC, PID, APS, ACP, AHP, PHD	15DN-ALLXP-01R	15-in LCD Bike/CT Console - PAL (Refurbished)
CN-007	ALX, CHV, CLV, AHC, ALC, PIC, PID, APS, ACP, AHP, PHD	LEDN-DOMXX-01	LED Bike/CT Console - Domestic
CN-008	ALX, CHV, CLV, AHC, ALC, APS, ACP, AHP	LEDN-INTXX-01	LED Bike/CT Console - International
CN-009	PIC, PID, PHD	LEDN-IFIXX-01	LED Bike/CT Console - International IFI

Drive System

Pedals and Cranks



Part Numbers

Item	Alpha Code(s)	Part Number	Description
DM-001	ALX, CHV, CLV, AHC, ALC, PIC, PID, APS, ACP, AHP, PHD	0K66-01006-0107	Right Crank Arm
DM-002	ALX, CHV, CLV, AHC, ALC, PIC, PID, APS, ACP, AHP, PHD	0K66-01006-0108	Left Crank Arm
DM-003	ALX, CHV, CLV, AHC, ALC, PIC, PID, APS, ACP, AHP, PHD	0K66-01121-0000	Crank Cap
DM-004	ALX, CHV, CLV, AHC, ALC, PIC, PID, APS, ACP, AHP, PHD	0K66-01096-0000	Crank Connector Plate
DM-005	ALX, CHV, CLV, AHC, ALC, PIC, PID, APS, ACP, AHP, PHD	0017-00101-2043	Crank Screw
DM-006	ALX, CHV, CLV, AHC, ALC, APS, ACP, AHP	AK66-00047-0001	Right Pedal w/ Strap Assembly
DM-006	ALX, CHV, CLV, AHC, ALC, APS, ACP, AHP	AK66-00136-0000	Right Pedal Strap Only
DM-006	ALX, CHV, CLV, AHC, ALC, APS, ACP, AHP	0K66-01069-0001	Right Pedal Only
DM-007	ALX, CHV, CLV, AHC, ALC, APS, ACP, AHP	0K66-01070-0001	Left Pedal Only
DM-007	ALX, CHV, CLV, AHC, ALC, APS, ACP, AHP	AK66-00135-0000	Left Pedal Strap Only

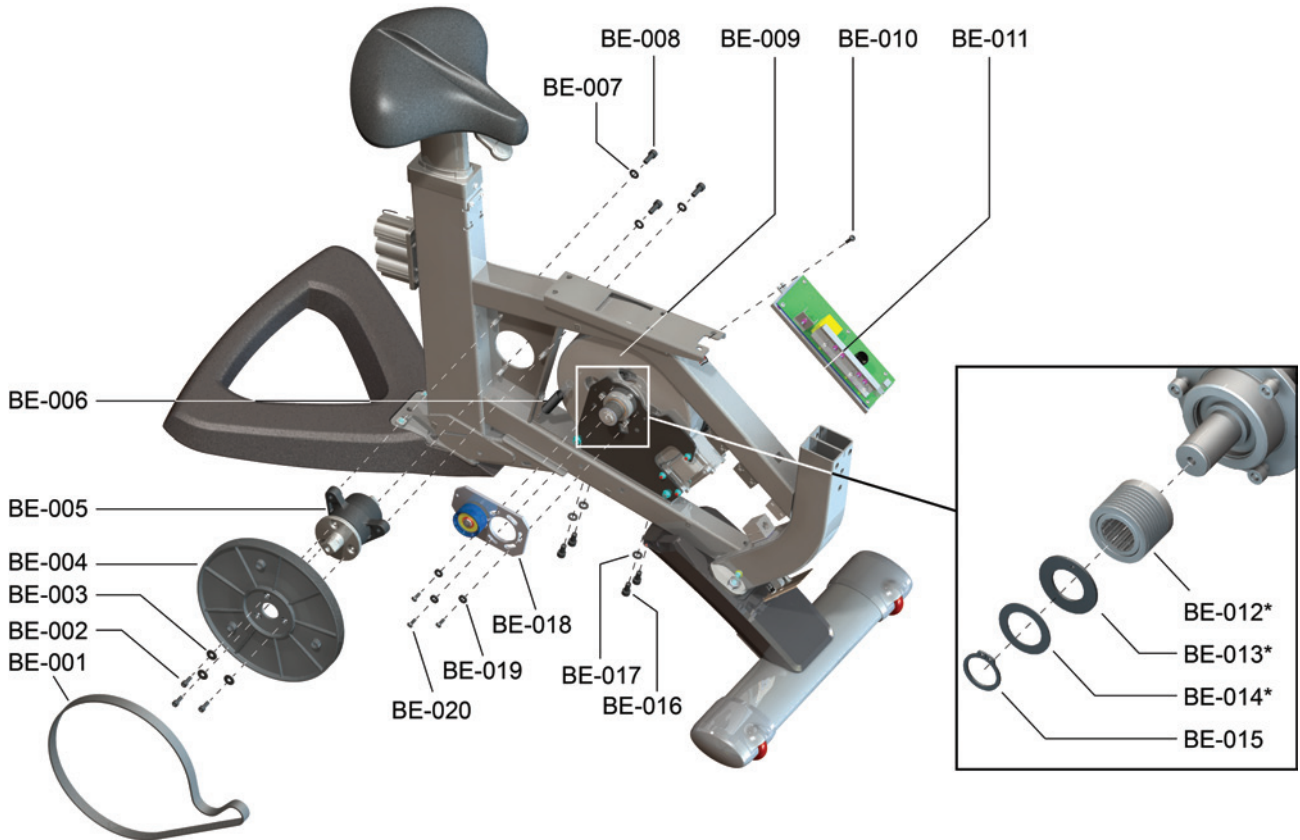
DM-007	ALX, CHV, CLV, AHC, ALC, APS, ACP, AHP	AK66-00048-0001	Left Pedal w/ Strap Assembly
DM-008	PIC, PID, PHD	AK66-00092-0001	Right Pedal w/ Strap Assembly for IFI
DM-008	PIC, PID, PHD	0K66-01238-0000	Metal Buckle Only
DM-008	PIC, PID, PHD	0K66-01239-0000	Velcro Strap
DM-008	PIC, PID, PHD	AK66-00141-0000	Strap Kit w/ Hardware for IFI: Includes Metal Buckle, Velcro Strap and Hardware
DM-009	PIC, PID, PHD	AK66-00093-0001	Left Pedal w/ Strap Assembly for IFI



When ordering DM-001 or DM-002, please make sure to also order DM-004

Base Frame Electronics

Generator and Related Components

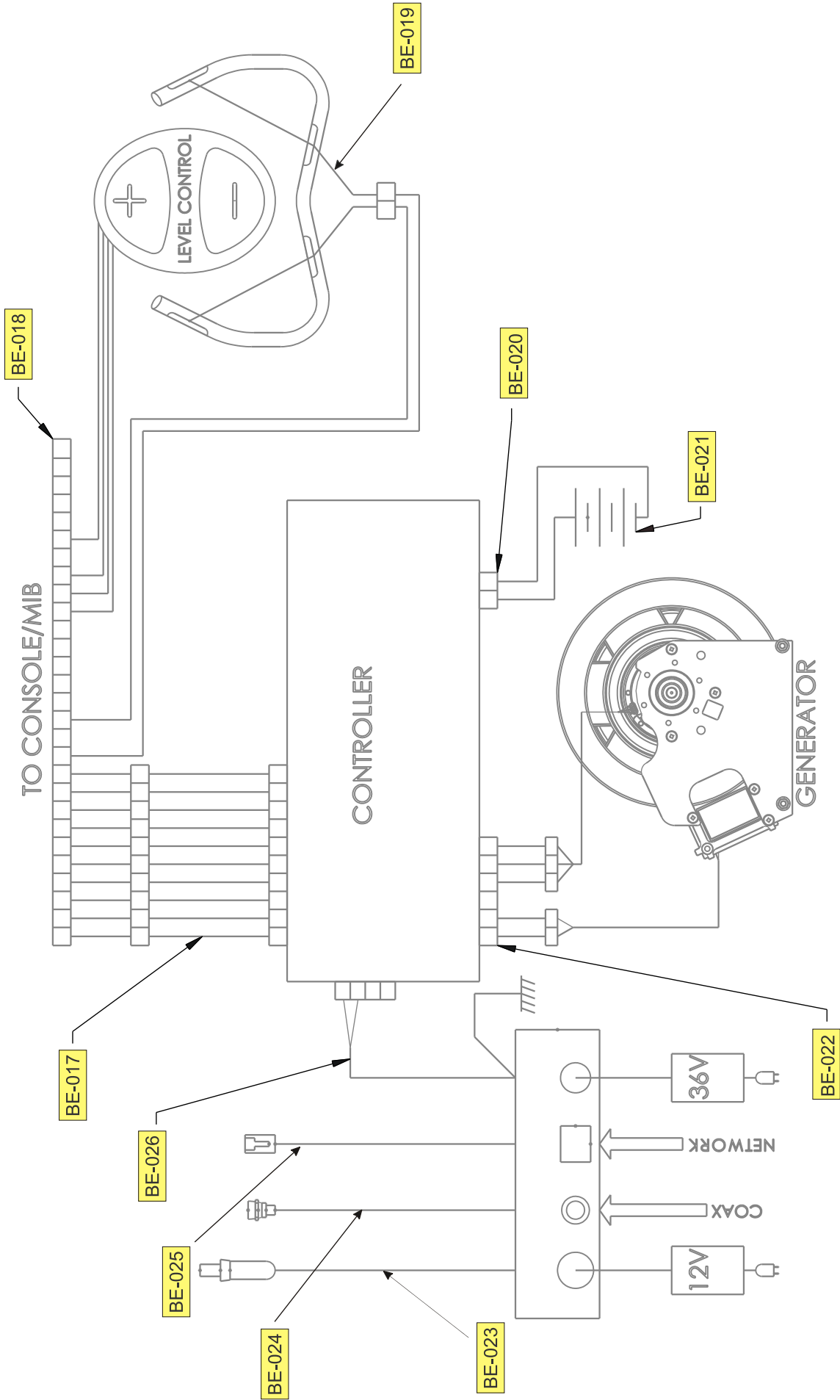


Item	Alpha Code(s)	Part Number	Description
BE-001	ALX, CHV, CLV, AHC, ALC, PIC, PID, APS, ACP, AHP, PHD	0017-00009-0837	Poly-V Drive Belt
BE-002	ALX, CHV, CLV, AHC, ALC, PIC, PID, APS, ACP, AHP, PHD	0017-00101-1891	Mounting Screw (3)
BE-003	ALX, CHV, CLV, AHC, ALC, PIC, PID, APS, ACP, AHP, PHD	0017-00104-0468	Washer (3)
BE-004	ALX, CHV, CLV, AHC, ALC, PIC, PID, APS, ACP, AHP, PHD	0K66-01005-0000	Pulley
BE-005	ALX, CHV, CLV, AHC, ALC, PIC, PID, APS, ACP, AHP, PHD	AK66-00003-0001	Crank/Hub Bearing Shaft Assembly
BE-006	ALX, CHV, CLV, AHC, ALC, PIC, PID, APS, ACP, AHP, PHD	0K66-01092-0000	Idler Spring
BE-007	ALX, CHV, CLV, AHC, ALC, PIC, PID, APS, ACP, AHP, PHD	0017-00104-0469	Washer (3)
BE-008	ALX, CHV, CLV, AHC, ALC, PIC, PID, APS, ACP, AHP, PHD	0017-00101-1881	Crank/Hub Mounting Screw (3)
BE-009	ALX, CHV, CLV, AHC, ALC, PIC, PID, APS, ACP, AHP, PHD	AK66-00140-0000	Generator/Brake Assembly with Pulley and Clutch
BE-010	ALX, CHV, CLV, AHC, ALC, PIC, PID, APS, ACP, AHP, PHD	0017-00101-1986	Mounting Screw (1)
BE-011	ALX, CHV, CLV, AHC, ALC, PIC, PID, APS, ACP, AHP, PHD	AK66-00100-0005	Generator Control Board Assembly
BE-012*	ALX, CHV, CLV, AHC, ALC, PIC, PID, APS, ACP, AHP, PHD	AK66-00139-0000	Clutch and Pulley Assembly
BE-013*	ALX, CHV, CLV, AHC, ALC, PIC, PID, APS, ACP, AHP, PHD	0K66-01237-0000	Shaft Washer Large (1)

BE-014*	ALX, CHV, CLV, AHC, ALC, PIC, PID, APS, ACP, AHP, PHD	0017-00104-0498	Shaft Washer Small (1)
BE-015	ALX, CHV, CLV, AHC, ALC, PIC, PID, APS, ACP, AHP, PHD	0017-00100-0257	Retaining Ring (1)
BE-016	ALX, CHV, CLV, AHC, ALC, PIC, PID, APS, ACP, AHP, PHD	0017-00101-1920	Generator Mounting Bolt (4)
BE-017	ALX, CHV, CLV, AHC, ALC, PIC, PID, APS, ACP, AHP, PHD	0017-00104-0469	Washer (4)
BE-018	ALX, CHV, CLV, AHC, ALC, PIC, PID, APS, ACP, AHP, PHD	AK66-00145-0000	Idler Assembly
BE-019	ALX, CHV, CLV, AHC, ALC, PIC, PID, APS, ACP, AHP, PHD	0017-00104-0330	Washer (3)
BE-020	ALX, CHV, CLV, AHC, ALC, PIC, PID, APS, ACP, AHP, PHD	0017-00101-1894	Idler Assembly Mounting Bolt (3)

*When purchasing clutch (Item BE-012), large and small shaft washers (Items BE-013, BE-014) must also be purchased.

Cables

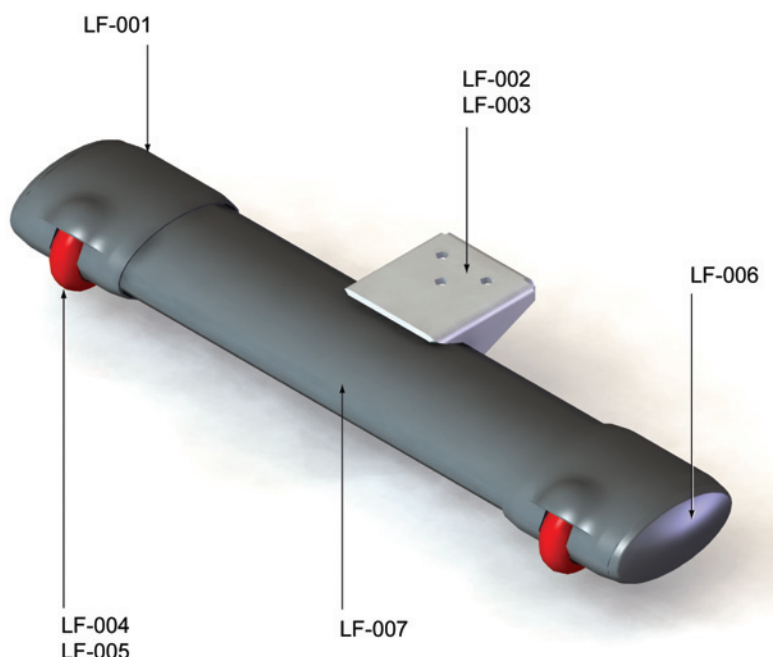


Part Numbers

Item	Alpha Code(s)	Part Number	Description
BE-017	ALX, CHV, CLV, AHC, PIC, PID, APS, ACP, AHP, PHD	AK66-00106-0000	PCB to Console Cable
BE-017	ALC	AK67-00106-0001	Console Cable Assembly XXL
BE-018	ALX, CHV, CLV, AHC, ALC, PIC, PID, APS, ACP, AHP, PHD	AK67-00105-0000	Console/Handlebar Cable
BE-019	ALX, CHV, CLV, AHC, ALC, PIC, PID, APS, ACP, AHP, PHD	AK63-00028-0001	Lifepulse Cable Assembly
BE-020	ALX, CHV, CLV, AHC, ALC, PIC, PID, APS, ACP, AHP, PHD	AK67-00109-0000	Battery Cable
BE-021	ALX, CHV, CLV, AHC, ALC, PIC, PID, APS, ACP, AHP, PHD	0017-00003-0685	6V Battery
BE-022	ALX, CHV, CLV, AHC, ALC, PIC, PID, APS, ACP, AHP, PHD	AK66-00107-0000	Gen Brake Cable
BE-023	ALX, CHV, CLV, AHC, ALC, PIC, PID, APS, ACP, AHP, PHD	AK32-00160-0000	TV Power Cable
BE-024	ALX, CHV, CLV, AHC, ALC, PIC, PID, APS, ACP, AHP, PHD	AK65-00062-0000	Coax Assembly: RG6 Cable
BE-025	ALX, CHV, CLV, AHC, ALC, PIC, PID, APS, ACP, AHP, PHD	AK65-00051-0001	CSAFE Network Cable
BE-026	ALX, CHV, CLV, AHC, ALC, PIC, PID, APS, ACP, AHP, PHD	AK67-00108-0000	External Power Cable

Lower Frame

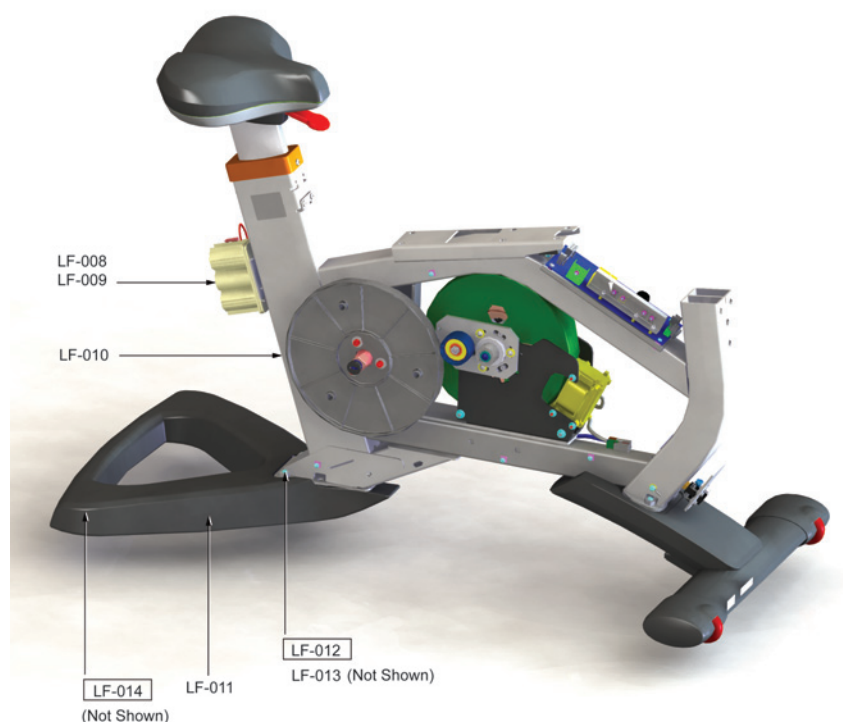
Front Stabilizer and Components



Part Numbers

Item	Alpha Code(s)	Part Number	Description
LF-001	ALX, CHV, CLV, AHC, ALC, PIC, PID, APS, ACP, AHP, PHD	0K66-01041-0000	Front Stabilizer Shrouds
LF-002	ALX, CHV, CLV, AHC, ALC, PIC, PID, APS, ACP, AHP, PHD	0017-00101-1881	Stabilizer Mounting Screws
LF-003	ALX, CHV, CLV, AHC, ALC, PIC, PID, APS, ACP, AHP, PHD	0017-00104-0479	Washer
LF-004	ALX, CHV, CLV, AHC, ALC, PIC, PID, APS, ACP, AHP, PHD	0K66-01039-0000	Wheel
LF-005	ALX, CHV, CLV, AHC, ALC, PIC, PID, APS, ACP, AHP, PHD	0K66-01040-0000	Wheel Shaft
LF-006	ALX, CHV, CLV, AHC, ALC, PIC, PID, APS, ACP, AHP, PHD	0K66-01042-0000	Front Stabilizer End Caps
LF-007	ALX, CHV, CLV, AHC, ALC, PIC, PID, APS, ACP, AHP, PHD	AK66-00016-0000	Painted Stabilizer

Battery, Leg Leveler and Rear Stabilizer



Part Numbers

Item	Alpha Code(s)	Part Number	Description
LF-008	ALX, CHV, CLV, AHC, ALC, PIC, PID, APS, ACP, AHP, PHD	0017-00003-0685	6V Battery
LF-009	ALX, CHV, CLV, AHC, ALC, PIC, PID, APS, ACP, AHP, PHD	0017-00101-2011	Battery Mounting Screw
LF-010	ALX, CHV, CLV, AHC, ALC, PIC, PID, APS, ACP, AHP, PHD	0K67-01013-0000	Seat Post Rack
LF-011	ALX, CHV, CLV, AHC, ALC, PIC, PID, APS, ACP, AHP, PHD	0K66-01131-0000	Rear Stabilizer
LF-012	ALX, CHV, CLV, AHC, ALC, PIC, PID, APS, ACP, AHP, PHD	0017-00101-1882	Rear Stabilizer Screw
LF-013	ALX, CHV, CLV, AHC, ALC, PIC, PID, APS, ACP, AHP, PHD	0017-00104-0469	Washer
LF-014	ALX, CHV, CLV, AHC, ALC, PIC, PID, APS, ACP, AHP, PHD	AK62-00124-0000	Leg Leveler

Upper Frame

Monocolumn and Console Mounting Bracket



Part Numbers

Item	Alpha Code(s)	Part Number	Description
UF-001	ALX, CHV, CLV, AHC, ALC, PIC, PID, APS, ACP, AHP, PHD	AK67-00105-0000	Ground Cable (Support to console)
UF-002	ALX, CHV, CLV, AHC, ALC, PIC, PID, APS, ACP, AHP, PHD	0017-00101-1986	Mounting Screw
UF-003	ALX, CHV, CLV, AHC, ALC, PIC, PID, APS, ACP, AHP, PHD	0017-00104-0460	Internal Tooth Lockwasher
UF-004	ALX, CHV, CLV, AHC, ALC, PIC, PID, APS, ACP, AHP, PHD	AK67-00029-0000	Level Control Assembly
UF-005	ALX, CHV, CLV, AHC, ALC, PIC, PID, APS, ACP, AHP, PHD	0K67-01051-0000	Bottom Handlebar Cover
UF-006	ALX, CHV, CLV, AHC, ALC, PIC, PID, APS, ACP, AHP, PHD	AK67-00024-0000	Console Mounting Bracket Assembly
UF-007	ALX, CHV, CLV, AHC, ALC, PIC, PID, APS, ACP, AHP, PHD	0017-00101-2019	Mounting Screw
UF-008	ALX, CHV, CLV, AHC, ALC, PIC, PID, APS, ACP, AHP, PHD	0017-00103-0341	Hex Nut

UF-009	ALX, CHV, CLV, AHC, PIC, PID, APS, ACP, AHP, PHD	0K67-01053-0002	Monocolumn
UF-009	ALC	0K67-01053-0003	Monocolumn
UF-010	ALX, CHV, CLV, AHC, ALC, PIC, PID, APS, ACP, AHP, PHD	0017-00101-2035	Mounting Screw
UF-011	ALX, CHV, CLV, AHC, ALC, PIC, PID, APS, ACP, AHP, PHD	0017-00104-0469	Washer
UF-012	ALX, CHV, CLV, AHC, ALC, PIC, PID, APS, ACP, AHP, PHD	0K67-01039-0000	Upright Gasket
UF-053	ALX, CHV, CLV, AHC, ALC, PIC, PID, APS, ACP, AHP, PHD	0K67-01117-0000	Nut Plate
UF-054	ALX, CHV, CLV, AHC, ALC, PIC, PID, APS, ACP, AHP, PHD	0K67-01118-0000	Bracket Plate

Shrouds



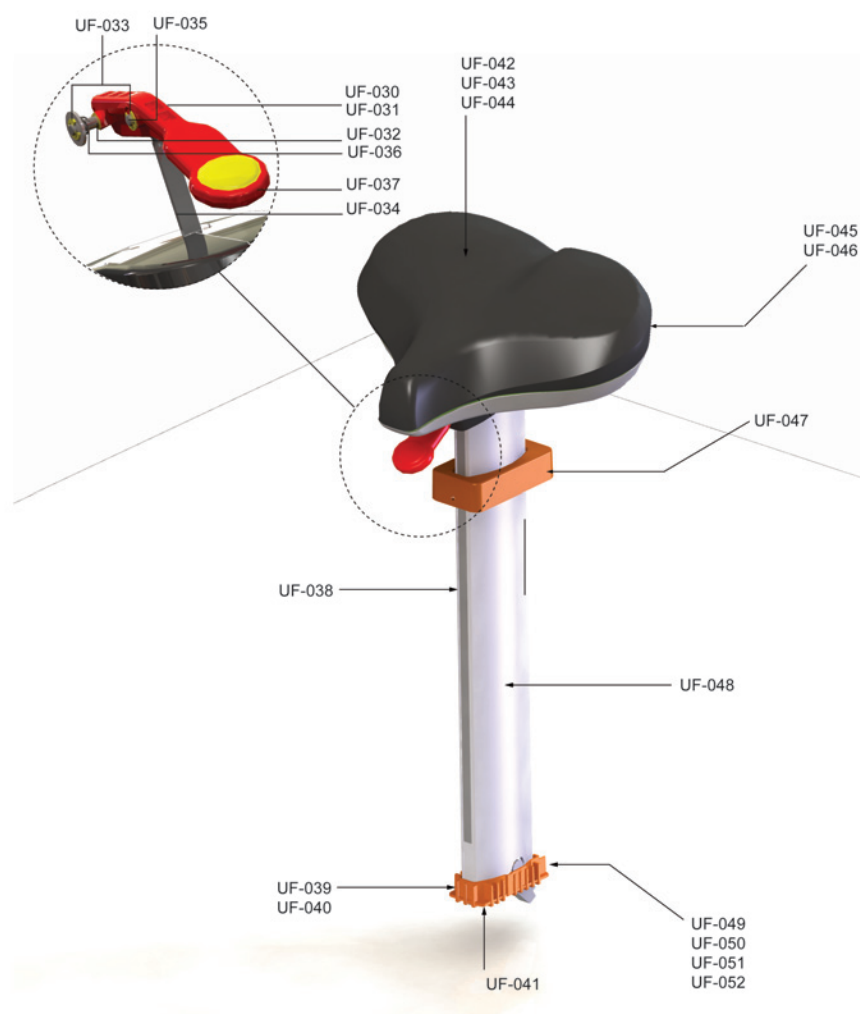
Part Numbers

Item	Alpha Code(s)	Part Number	Description
UF-013	ALX, CHV, CLV, AHC, ALC, PIC, PID, APS, ACP, AHP, PHD	0K67-01040-0000	Rear Console Cover
UF-014	ALX, CHV, CLV, AHC, ALC, PIC, PID, APS, ACP, AHP, PHD	0017-00101-1940	Mounting Screws

UF-015	ALX, CHV, CLV, AHC, ALC, PIC, PID, APS, ACP, AHP, PHD	0K67-01061-0000	Middle Cover
UF-016	ALX, CHV, CLV, AHC, ALC, PIC, PID, APS, ACP, AHP, PHD	0K67-01041-0000	Console Shroud, Bottom
UF-017	ALX, CHV, CLV, AHC, ALC, PIC, PID, APS, ACP, AHP, PHD	0017-00101-1796	Mounting Screws
UF-018	ALX, CHV, CLV, AHC, ALC, PIC, PID, APS, ACP, AHP, PHD	AK67-00049-0000	Right Front Shroud
UF-019	ALX, CHV, CLV, AHC, ALC, PIC, PID, APS, ACP, AHP, PHD	0K67-01033-0000	Left Front Shroud
UF-020	ALX, CHV, CLV, AHC, ALC, PIC, PID, APS, ACP, AHP, PHD	AK67-00019-0000	Console Shroud, Top
UF-021	ALX, CHV, CLV, AHC, ALC, PIC, PID, APS, ACP, AHP, PHD	0K67-01055-0000	Cup Holder
UF-022	ALX, CHV, CLV, AHC, ALC, PIC, PID, APS, ACP, AHP, PHD	0K67-01051-0000	Bottom Front Handlebar Cover
UF-023	ALX, CHV, CLV, AHC, ALC, PIC, PID, APS, ACP, AHP, PHD	0K67-01052-0000	Bottom Rear Handlebar Cover
UF-024	ALX, CHV, CLV, AHC, ALC, PIC, PID, APS, ACP, AHP, PHD	0K67-01038-0000	Step Shroud
UF-025*	ALX, CHV, CLV, AHC, ALC, PIC, PID, AHP, PHD	AK67-00050-0002	Right Seat Post Shroud LF Decal Shadow Gray
UF-025*	APS, ACP	AK67-00050-0001	Right Seat Post Shroud CS Decal Shadow Gray
UF-026*	ALX, CHV, CLV, AHC, ALC, PIC, PID, AHP, PHD	AK67-00051-0002	Left Seat Post Shroud LF Decal Shadow Gray
UF-026*	APS, ACP	AK67-00051-0001	Left Seat Post Shroud CS Decal Shadow Gray
UF-027	ALX, CHV, CLV, AHC, ALC, PIC, APS, ACP, AHP, PHD	0K65-01264-0000	LF Bug
UF-027	PID	0K65-01209-0000	LF Bug
UF-028*	APS, ACP	AK67-00032-0006	Right Main Shroud CS Decal Shadow Gray & Vents
UF-028*	ALX, CLV, PIC, PID, PHD	AK67-00032-0004	Right Main Shroud LF Decal Shadow Gray & Vents
UF-028*	ALC	AK67-00052-0005	Right Main Shroud LF Decal Shadow Gray & Vents
UF-029*	APS, ACP	AK67-00033-0006	Left Main Shroud CS Decal Shadow Gray & Vents
UF-029*	ALX, CLV, PIC, PID, PHD	AK67-00033-0004	Left Main Shroud LF Decal Shadow Gray & Vents
UF-029*	ALC	AK67-00053-0005	Left Main Shroud LF Decal Shadow Gray & Vents

* Two-tone shrouds no longer available

Seat and Seat Post Components



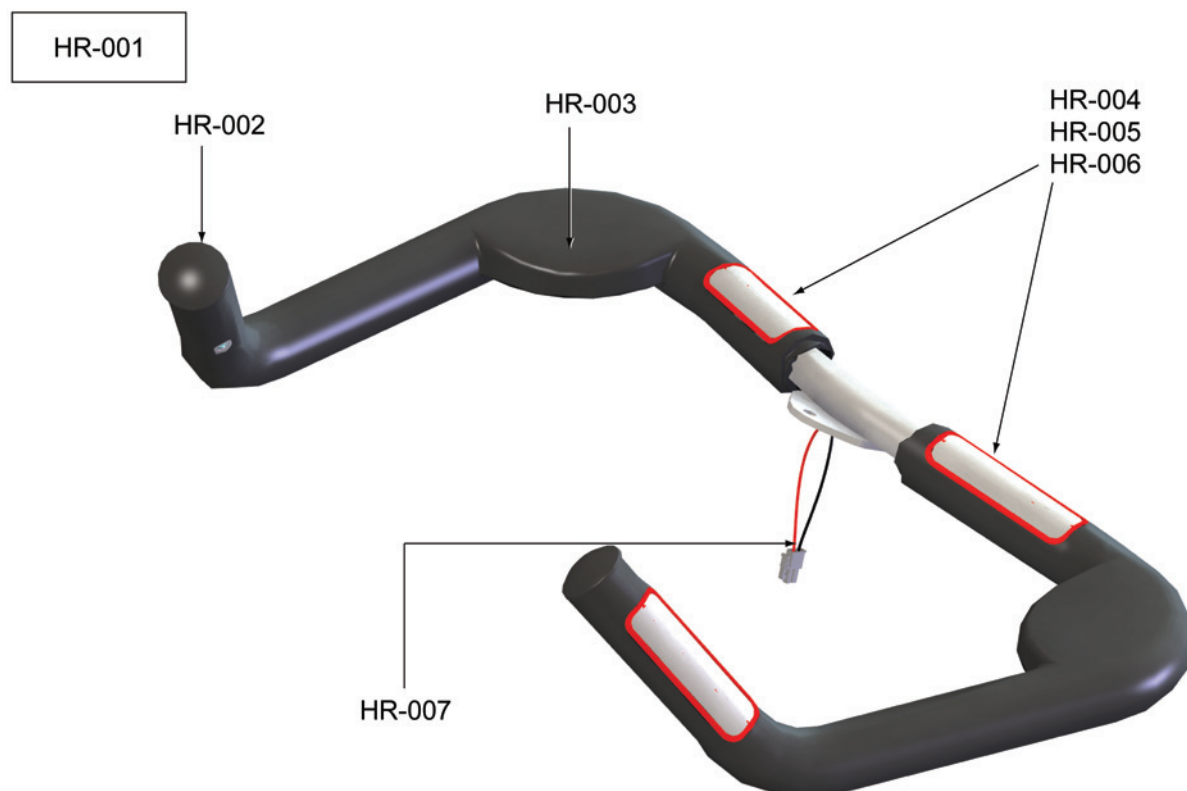
Part Numbers

Item	Alpha Code(s)	Part Number	Description
UF-030	ALX, CHV, CLV, AHC, ALC, APS, ACP, AHP	0K67-01111-0000	Up/Down Handle
UF-031	PIC, PID	0K67-01111-0001	Up/Down Handle for IFI
UF-032	ALX, CHV, CLV, AHC, ALC, PIC, PID, APS, ACP, AHP	0K67-01112-0000	Handle Pivot Pin
UF-033	ALX, CHV, CLV, AHC, ALC, PIC, PID, APS, ACP, AHP	0017-00100-0250	E-Rings
UF-034	ALX, CHV, CLV, AHC, ALC, PIC, PID, APS, ACP, AHP	0K67-01008-0000	Up/Down Rod
UF-035	ALX, CHV, CLV, AHC, ALC, PIC, PID, APS, ACP, AHP	0K67-01014-0000	Rod Pins
UF-036	ALX, CHV, CLV, AHC, ALC, PIC, PID, APS, ACP, AHP	0017-00009-1285	Washer Spring
UF-037	ALX, CHV, CLV, AHC, ALC, PIC, PID, APS, ACP, AHP	0017-00104-0468	Washer
UF-038	ALX, CHV, CLV, AHC, ALC, PIC, PID, APS, ACP, AHP	0K67-01087-0000	Seat Post Decal
UF-039	ALX, CHV, CLV, AHC, ALC, PIC, PID, APS, ACP, AHP	0K67-01060-0000	Seat Post Base Guide

UF-040	ALX, CHV, CLV, AHC, ALC, PIC, PID, APS, ACP, AHP	0017-00101-2009	Mounting Screw
UF-041	ALX, CHV, CLV, AHC, ALC, PIC, PID, APS, ACP, AHP	0017-00042-1131	Bumper
UF-042	ALX, CHV, CLV, PIC, PID, APS, ACP, AHP	AK63-00229-0003	Seat
UF-042	AHC, ALC,	AK67-00027-0002	Seat Assembly XXL
UF-043	ALX, CHV, CLV, AHC, ALC, PIC, PID, APS, ACP, AHP	0017-00104-0469	Washer
UF-044	ALX, CHV, CLV, AHC, ALC, PIC, PID, APS, ACP, AHP	0017-00101-2007	Mounting Screw
UF-045	ALX, CHV, CLV, AHC, ALC, PIC, PID, APS, ACP, AHP	0K67-01067-0000	Seat Post Shroud
UF-046	ALX, CHV, CLV, AHC, ALC, PIC, PID, APS, ACP, AHP	0017-00101-2010	Mounting Screw
UF-047	ALX, CHV, CLV, AHC, ALC, PIC, PID, APS, ACP, AHP	0K67-01059-0001	Seat Post Guide Cap
UF-048	ALX, CHV, CLV, AHC, ALC, PIC, PID, APS, ACP, AHP	AK67-00003-0001	Seat Post Weldment
UF-049	ALX, CHV, CLV, AHC, ALC, PIC, PID, APS, ACP, AHP	0K67-01009-0001	Up/Down Latch
UF-050	ALX, CHV, CLV, AHC, ALC, PIC, PID, APS, ACP, AHP	0K67-01010-0000	Up/Down Spring
UF-051	ALX, CHV, CLV, AHC, ALC, PIC, PID, APS, ACP, AHP	0K67-01017-0000	Latch Pivot Pin
UF-052	ALX, CHV, CLV, AHC, ALC, PIC, PID, APS, ACP, AHP	0017-00100-0253	Retaining Ring

Heart Rate System

Handlebar and Components



Part Numbers

Item	Alpha Code(s)	Part Number	Description
HR-001	ALX, CHV, CLV, AHC, ALC, PIC, PID, APS, ACP, AHP, PHD	AK67-00006-0000	Handlebar Assembly
HR-002	ALX, CHV, CLV, AHC, ALC, PIC, PID, APS, ACP, AHP, PHD	0017-00101-1920	Handlebar Mounting Screw
HR-003	ALX, CHV, CLV, AHC, ALC, PIC, PID, APS, ACP, AHP, PHD	0017-00103-0341	Hex Nut
HR-004	ALX, CHV, CLV, AHC, ALC, PIC, PID, APS, ACP, AHP, PHD	AK63-00014-0004	Heart Rate Electrode
HR-005	ALX, CHV, CLV, AHC, ALC, PIC, PID, APS, ACP, AHP, PHD	0K66-01141-0000	Insulator Plug
HR-006	ALX, CHV, CLV, AHC, ALC, PIC, PID, APS, ACP, AHP, PHD	0017-00101-1720	Mounting Screw
HR-007	ALX, CHV, CLV, AHC, ALC, PIC, PID, APS, ACP, AHP, PHD	AK63-00028-0001	Heart Rate Cable