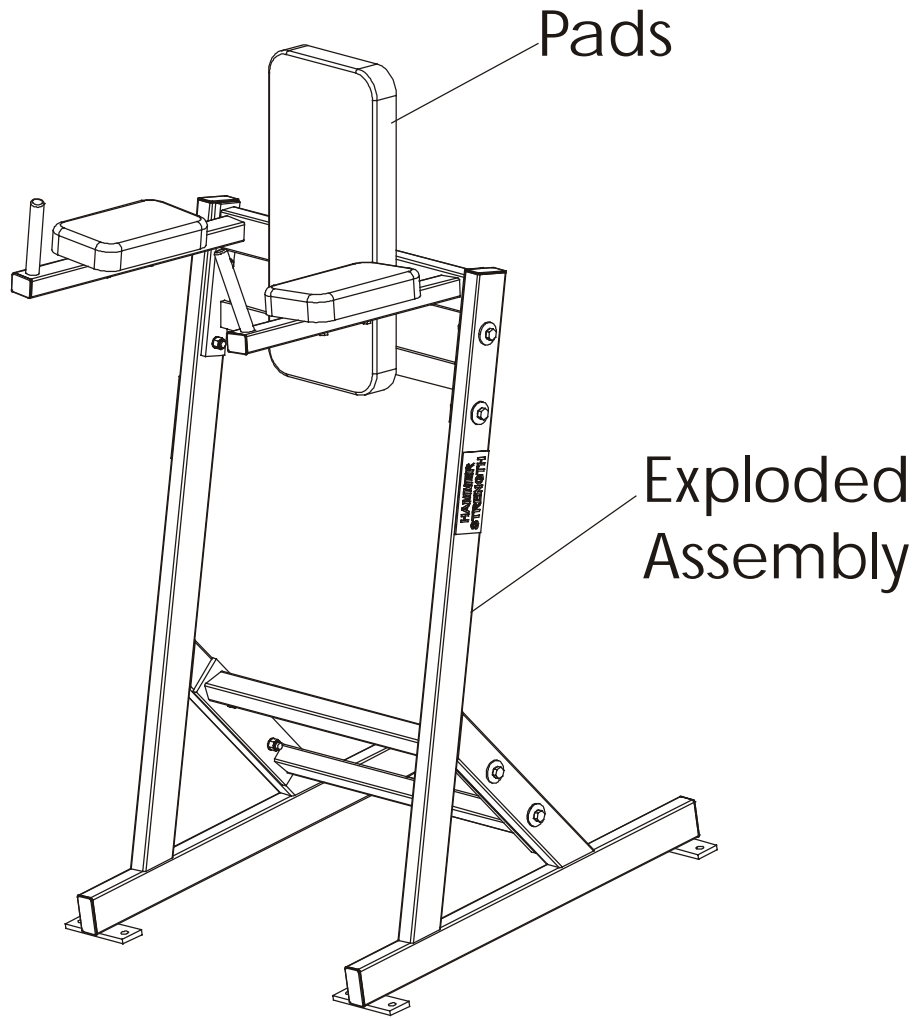


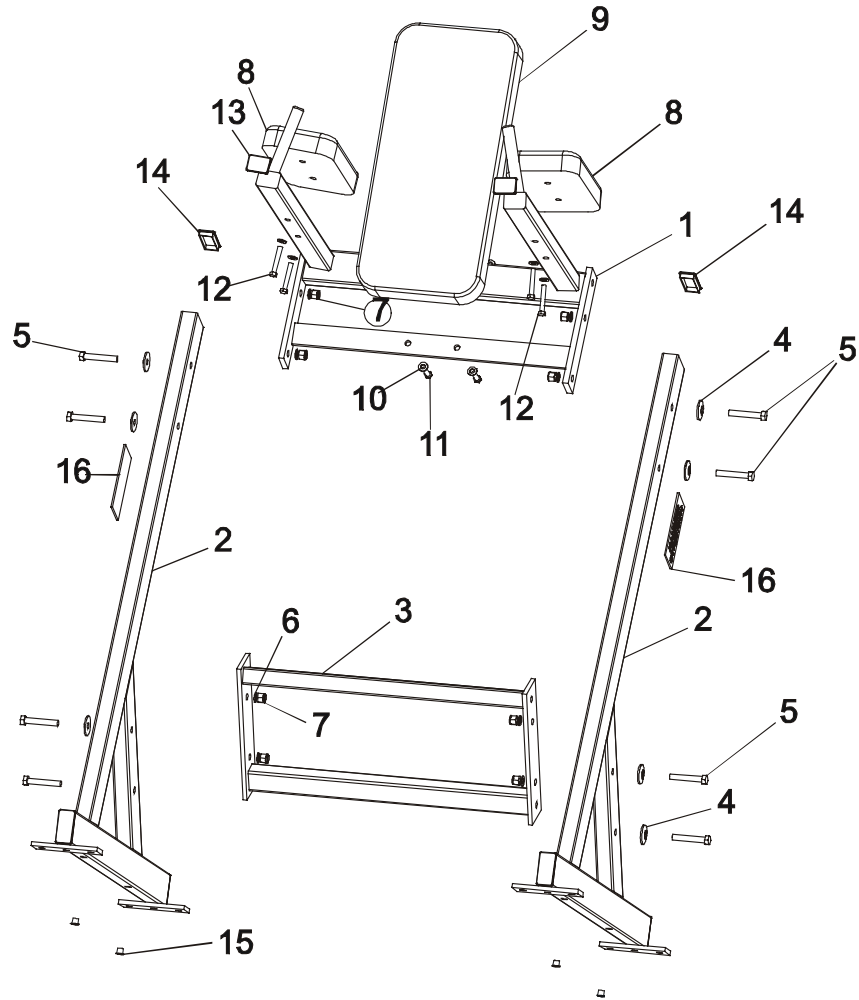
**HAMMER STRENGTH EQUIPMENT**  
**BWLR – A01 Body Weight Leg Raise Assembly**

---



# HAMMER STRENGTH EQUIPMENT

## BWLR – A01 Exploded Assembly



ITEM NO.	QTY.	PART NO.	DESCRIPTION
1	1	BWLR-TX-1	Top cross-Frame
2	2	BWLR-SF-0	Side-Frame
3	1	BWLR-BX-0	Bottom Cross-Frame
4	8	H-BACK-WASH	Backing Washer
5	8	HHB.5X3	1/2 X 3 Bolt
6	8	WASH.5STAR	1/2" Internal Lock Washer
7	8	NUT.5LOCK	1/2" Thick Lock Nut
8	2	U10-4.5	Pad, 10-4.5
9	1	U24-10	Standard 24" Pad
10	8	WASH.375SAE	3/8" SAE Flat Washer
11	4	HHB.375X1.5	3/8 X 1 1/2 Bolt
12	4	HHB.375X2.5	3/8 X 2 1/2 Bolt
13	2	H-PEND2	1 1/2 X 2 Endcap
14	6	H-PEND3	1 1/2 X 3 End Cap
15	6	H-HPLUG(SMA)	4 Hole Plug
16	2	H-NAMEPLATE	Name Plate