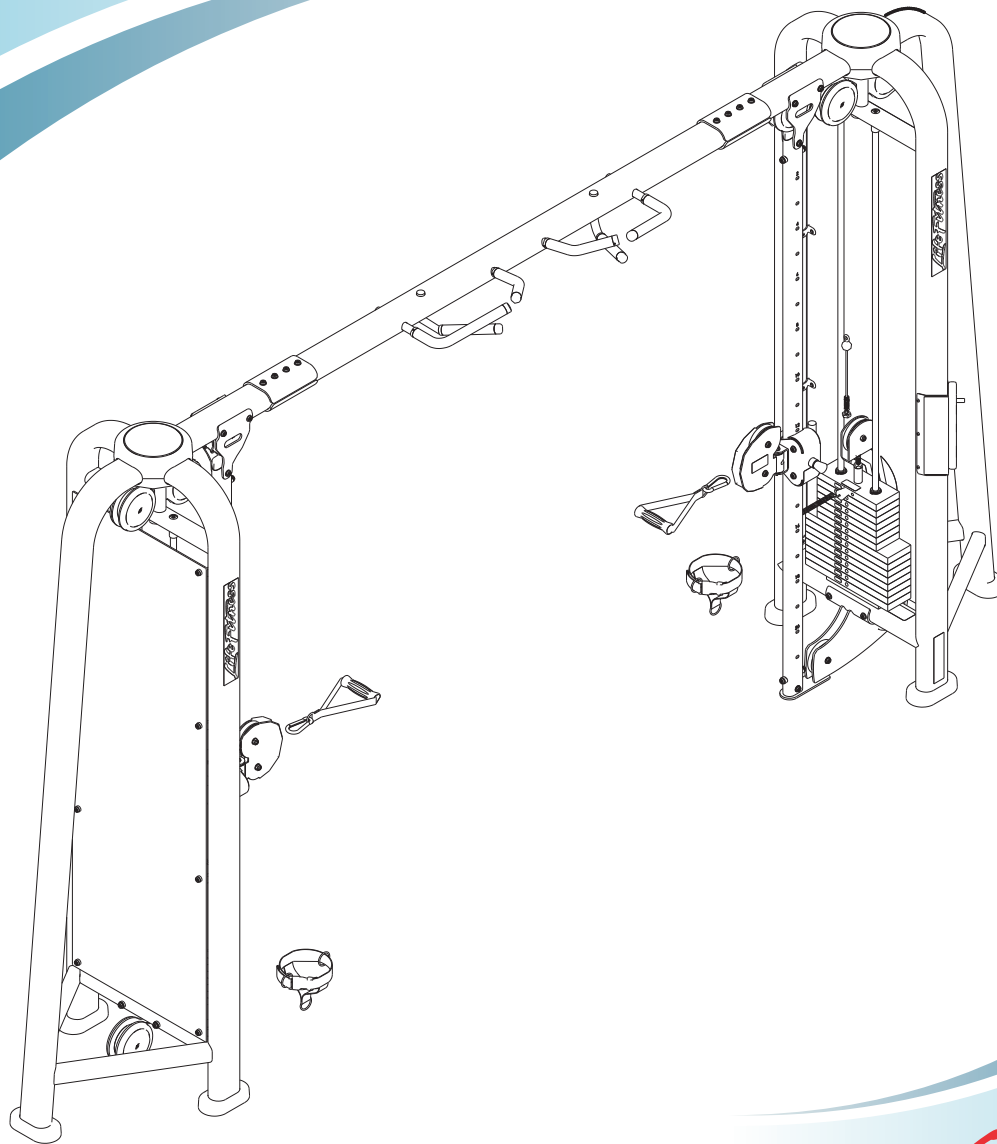


# Signature Series Cable Motion Adjustable Crossover

CMACO

SERIAL NUMBER CMACO0908013 & UP

## Parts List



**LifeFitness**  
WHAT WE LIVE FOR

# CMACO CABLE MOTION ADJUSTABLE CROSSOVER CONTENTS

---

FRAME AND UPHOLSTERY COLORS..... 3

COMPONENT ASSEMBLY..... 4

CMACO TOWER..... 5

CMACO TOWER LEGEND..... 6

CROSSOVER BEAM..... 7

BASE SUPPORT ASSEMBLY..... 8

ADJUSTABLE PULLEY CARRIAGE..... 9

190 LB. WEIGHT STACK ASSEMBLY..... 10

OPTIONAL FRONT SHROUD..... 11

OPTIONAL SHROUD STACKWRAPS..... 12

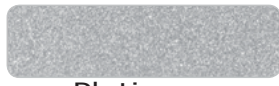
CABLE ROUTING..... 13

IMAGE..... 14

# CMACO CABLE MOTION ADJUSTABLE CROSSOVER FRAME AND UPHOLSTERY COLORS

---

## Strength Frame Colors



Platinum



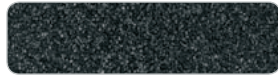
White



Black



Ice Blue Metallic



Midnight Metallic



Nickel



Blue



Red



Yellow



Candy Apple Red

Note: Include frame color in pick-slip notes when ordering frame assemblies or weldments.

## Strength Upholstery Colors



American Beauty Red 07



Azure 20



Black 01



Cranberry 04



Graphite 22



Hunter Green 13



Regimental Blue 14



Royal Blue 02



Slate 03



Wheat 21



Burgundy 29



Candy Apple Red 28



Chestnut 34



Concord 16



Crocus 19



Dove Gray 37



Emerald 27



Grotto 25



Gun Metal 39



Imperial Blue 33



Jade 26



Navy 32



Northwoods Green 05



Paprika 35



Plum 30



Putty 38



Space Blue 06



Suede 08



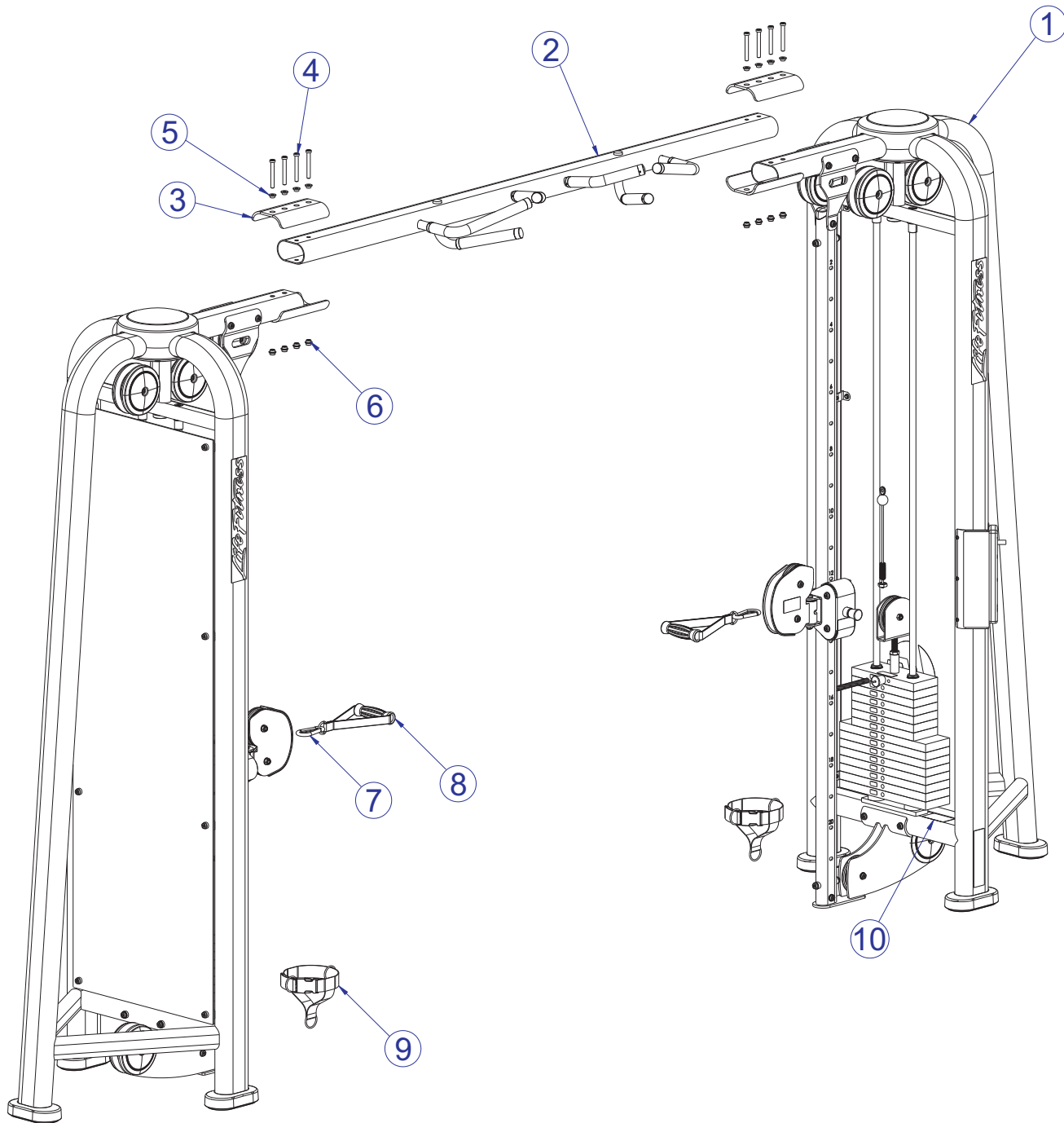
Terra Cotta 36



Turquoise 17

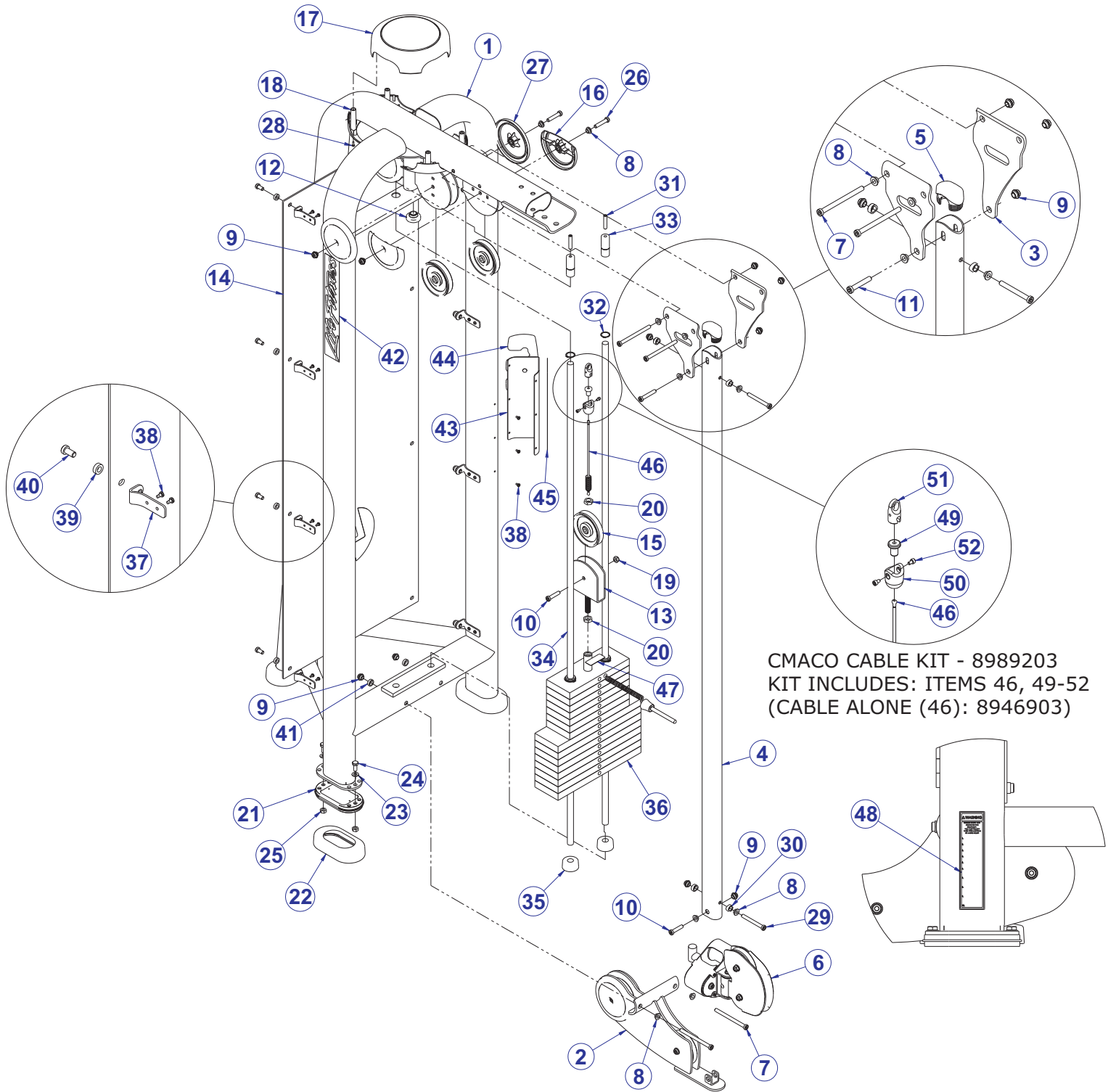
Note: Replace XX with above color suffix when ordering pads (ie. 74123XX = 7412301 Black)  
Use 99 suffix for custom upholstery.

# CMACO CABLE MOTION ADJUSTABLE CROSSOVER COMPONENT ASSEMBLY



ITEM NO.	QTY.	PART NO.	DESCRIPTION	FRAME COLOR
1	2	7641501	ASSY, CM/MJACO TOWER	ANY
2	1	7640601	ASSY, MJ X-BEAM	ANY
3	2	7633201	BRKT, MJ LRG OVAL	ANY
4	8	3236213	SCREW, M10 X1.5 80MM	-
5	8	7630101	RETAINER, CM/MJ, PULLEY	-
6	8	7335401	NUT, M10 X 1.5 SOCKET HEAD	-
7	2	3250201	SNAP LINK, 3/8" DIA	-
8	2	8219601	HANDLE, CM/MJ, SHORT STRAP	-
9	1	7734701	STRAP, 4-WAY ANKLE	-
10	2	7571301	LABEL, SERIAL NUMBER	-

# CMACO CABLE MOTION ADJUSTABLE CROSSOVER CMACO TOWER



CMACO CABLE KIT - 8989203  
KIT INCLUDES: ITEMS 46, 49-52  
(CABLE ALONE (46): 8946903)

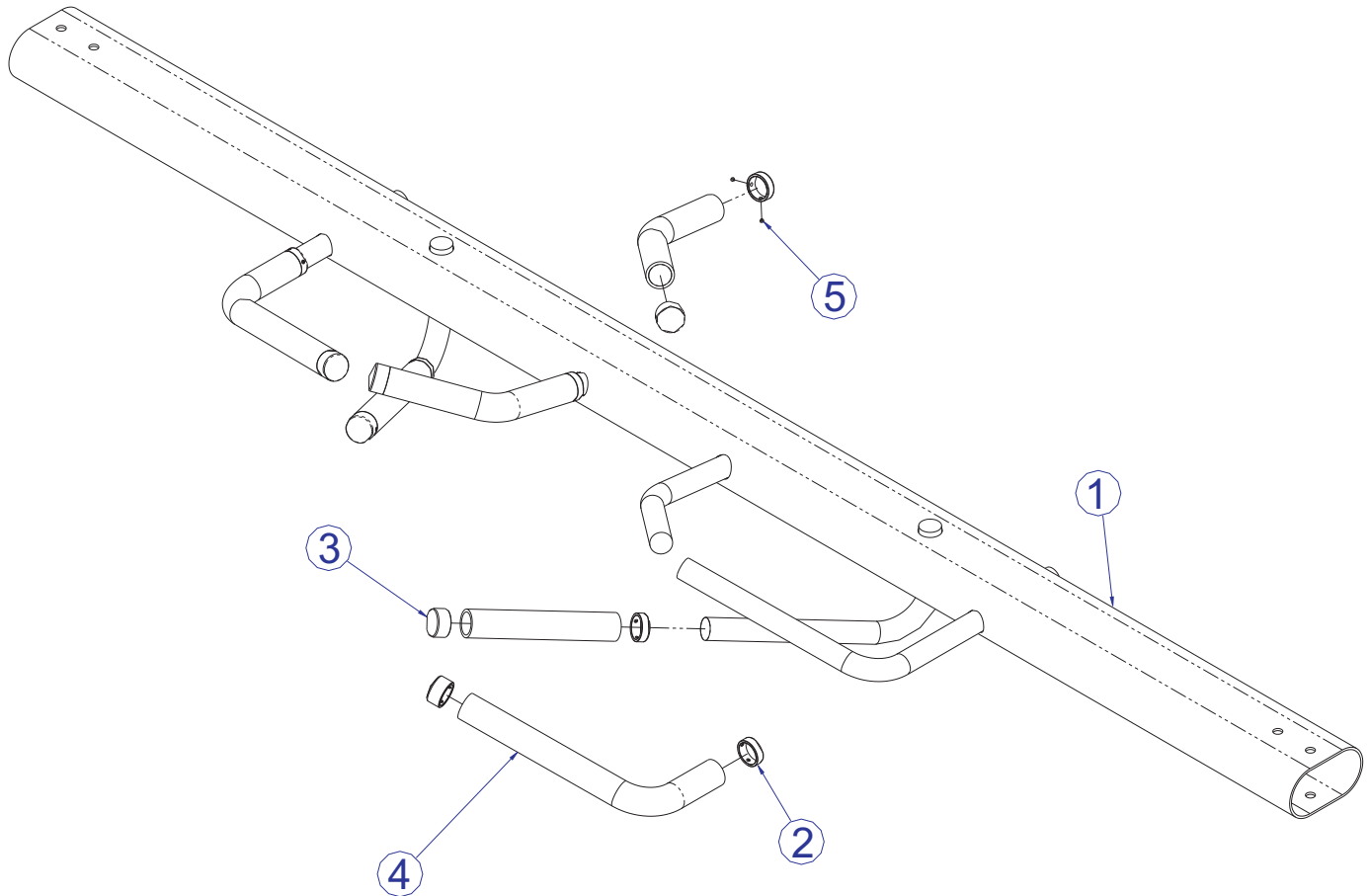
SEE PAGE 6 FOR LEGEND

# CMACO CABLE MOTION ADJUSTABLE CROSSOVER CMACO TOWER LEGEND

ITEM NO.	QTY.	PART NO.	DESCRIPTION	FRAME COLOR
1	1	7639201	WLDMNT, MJACO TOWER	ANY
2	1	7645101	ASSY, MJAP, BASE SPRT	ANY
3	2	7780301	BRKT, MJAP, ADJ TUBE TOP	ANY
4	1	8264101	TUBE, CM/MJ ADJ COLUMN	-
5	1	7333801	CAP, SMALL FLOV- END	-
6	1	8328601	ASSY, CM/MJ ADJ PULLEY CARRIAGE -GRAY KNOB	ANY
		8328603	ASSY, CM/MJ ADJ PULLEY CARRIAGE -YELLOW KNOB	
7	4	3236220	SCREW, M10 X1.5 130MM	-
8	11	7630101	RETAINER, CM/MJ, PULLEY	-
9	11	7335401	NUT, M10 X 1.5 SOCKET HEAD	-
10	2	3236206	SCREW, M10 X1.5 45MM	-
11	1	3236209	SCREW, M10 X1.5 60MM	-
12	1	7642301	BUMPER, CM/MJ, PLUG	-
13	1	7642295	WLDMT, CM/MJ STK PULLEY SG	SG
14	1	8353201	SHROUD, CM/MJ REAR	-
15	4	3237801	PULLEY, 4.5" OD	-
16	2	7630001	COVER, PULLEY BOLTED PARTIAL	-
17	1	7629201	COVER, CENTER TOP	-
18	2	7629801	COVER, CENTER BOTTOM	-
19	1	3236801	NUT, M10 HEX NYLOCK SS	-
20	2	3236902	NUT, HEX JAM M16 X 2 SS	-
21	3	7334001	FOOT, 2.50 X 4.49 FLOV	-
22	3	7340201	COVER, FOOT - STRAIGHT	-
23	6	3236601	WASHER, 3/8 SAE SS	-
24	6	3251202	SCREW, M10 X1.5 X 25MM UNS HEX CS ST ZN	-
25	6	3254703	NUT, M10 X 1.5 HEX ZINC	-
26	3	3236207	SCREW, M10 X1.5 50MM	-
27	4	7629901	COVER, PULLEY- BOLTED FULL	-
28	4	3236501	M4 X 0.7 PHL PAN MS ST ZN	-
29	2	3236215	SCREW, M10 X1.5 90MM	-
30	4	7645501	SPACER, CM/MJ, SM FLOV CONCAVE	-
31	2	3240502	M10 X 1.5 X 50 HXS NO CUP ST BO	-
32	2	3232421	RING, BRE .940, 5100-100 ST PP B	-
33	2	7634401	RETAINER, CM/MJ, GUIDEROD	-
34	2	7328618	GUIDE ROD, .75 OD SOLID 71.50	-
35	2	7352101	CUSHION, WEIGHT STACK	-
36	1	7647501	ASSY, 190LB STACK	-
37	8	7642095	BRKT, CM/MJ, REAR SHROUD SG	SG
38	22	3270601	SCREW, #10-32 TRX PAN ST BZ	-
39	8	7385201	SPACER, .406 X .750 X .250	-
40	8	3236201	SCREW, M10 X1.5 20MM	-
41	2	7634701	SPACER, CM/MJ, .565 X .815	-
42	2	7348001	LABEL, LIFE FITNESS LOGO	-
43	1	7647001	WLDMT, CM/MJ, PLACARD BRKT	ANY
44	1	7711501	WEIGHT, 5 LB. ADD-ON	-
45	1	7734601	LABEL, PLACARD CM/MJ, ADJ CROSSOVER-ENGLISH	-
		7734602	LABEL, PLACARD CM/MJ, ADJ CROSSOVER-GERMAN	
		7734603	LABEL, PLACARD CM/MJ, ADJ CROSSOVER-FRENCH	
		7734604	LABEL, PLACARD CM/MJ, ADJ CROSSOVER-SPANISH	
		7734605	LABEL, PLACARD CM/MJ, ADJ CROSSOVER-ITALIAN	
		7734606	LABEL, PLACARD CM/MJ, ADJ CROSSOVER-DUTCH	
		7734607	LABEL, PLACARD CM/MJ, ADJ CROSSOVER-JAPANESE	
7734608	LABEL, PLACARD CM/MJ, ADJ CROSSOVER-PORTUGUESE			
46	1	8989203	KIT, CM/MJACO, CABLE (INCLUDES CABLE AND ENDS)	-
47	1	7744501	LABEL, WEIGHT AT HANDLE	-
48	1	82200XX	LABEL, ASTM WARNING SELECT	-
49	1	8943801	INSERT, CM/MJ, CABLE END	-
50	1	8943701	HSNG, CM/MJ, CABLE END	-
51	1	8943601	LINK, CM/MJ, CABLE END	-
52	2	3250002	M5 X 0.8 HXS SOC CS ST BZ X 8	-

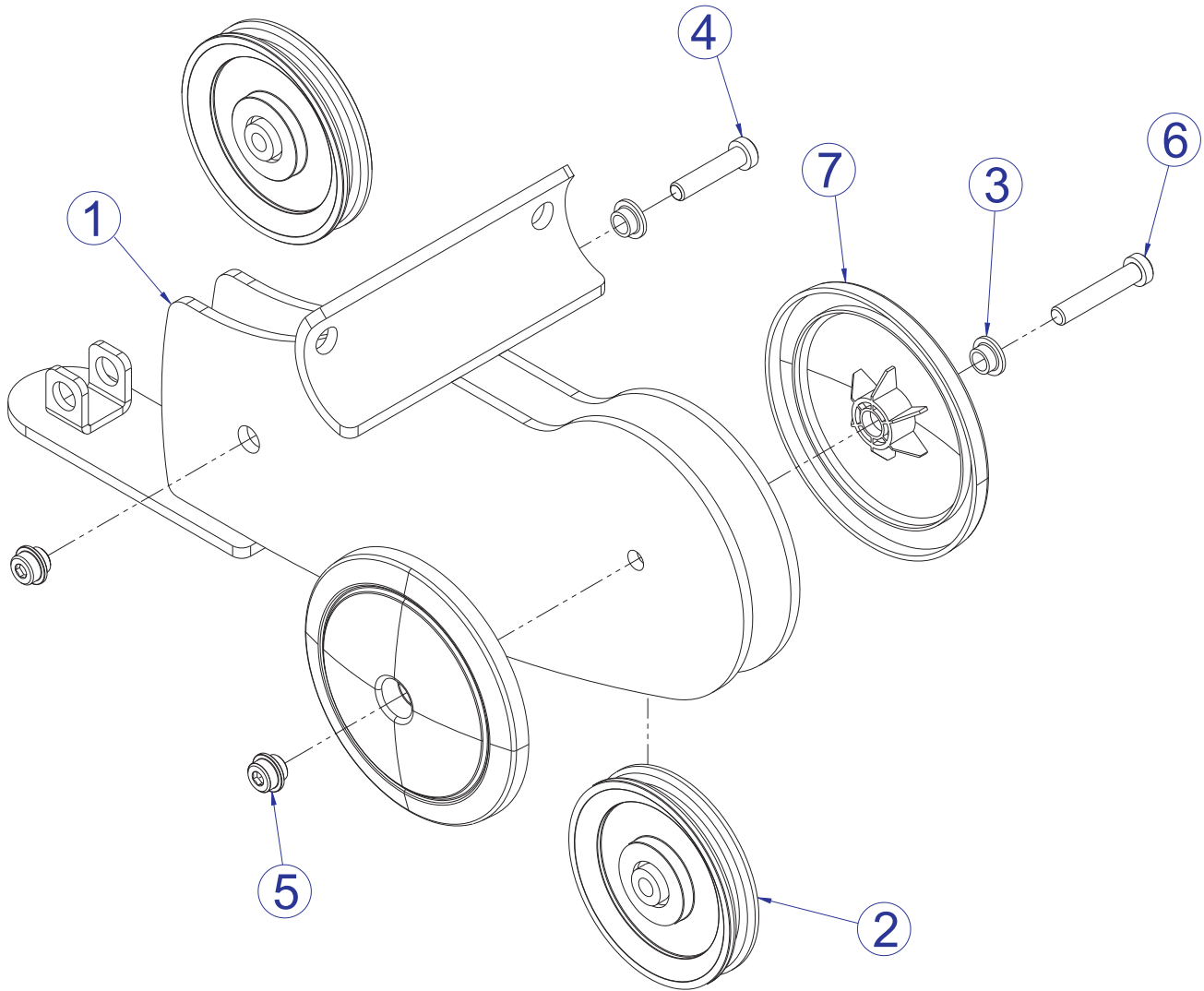
# CMACO CABLE MOTION ADJUSTABLE CROSSOVER CROSSOVER BEAM - 7640601

---



ITEM NO.	QTY.	PART NO.	DESCRIPTION	FRAME COLOR
1	1	7632701	WLDMT, MJ X-BEAM	ANY
2	6	7662801	RING, GRIP 1.25 OD	-
3	6	7662901	CAP, GRIP 1.25 OD	-
4	6	3235801	GRIP, SHADOW GREY OPEN END	-
5	24	3247701	M4 X .7 HXS NO CUP ST BO	-

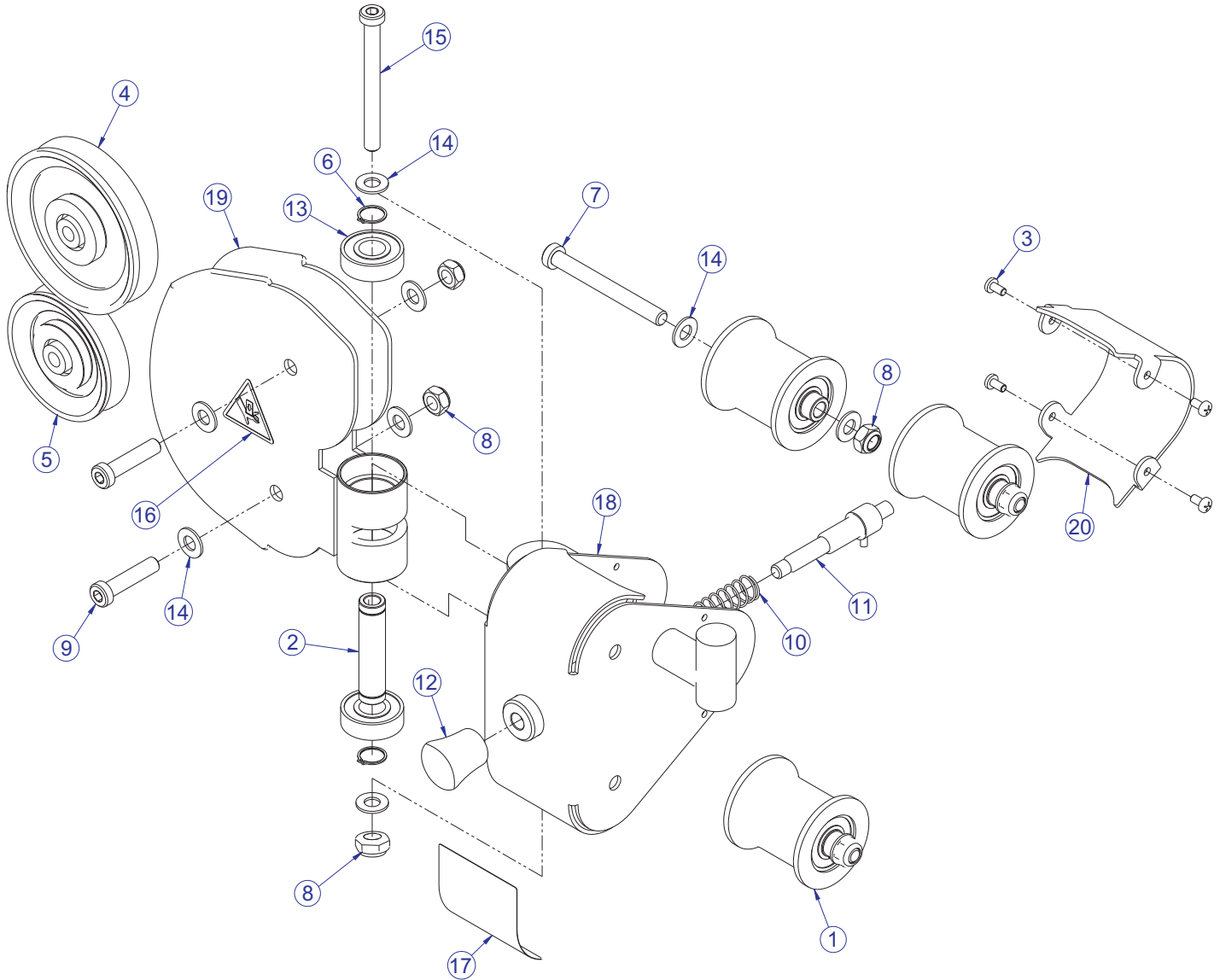
# CMACO CABLE MOTION ADJUSTABLE CROSSOVER BASE SUPPORT ASSEMBLY - 7645101



ITEM NO.	QTY.	PART NO.	DESCRIPTION	FRAME COLOR
1	1	7634801	WLDMT, MJ ADJ PULLEY BASE	ANY
2	2	3237801	PULLEY, 4.5" OD	-
3	2	7630101	RETAINER, CM/MJ, PULLEY	-
4	1	3236206	SCREW, M10 X1.5 45MM	-
5	2	7335401	NUT, M10 X 1.5 SOCKET HEAD	-
6	1	3236208	SCREW, M10 X1.5 55MM	-
7	2	7629901	COVER, PULLEY- BOLTED FULL	-



# CMACO CABLE MOTION ADJUSTABLE CROSSOVER ADJUSTABLE PULLEY CARRIAGE - 83286XX

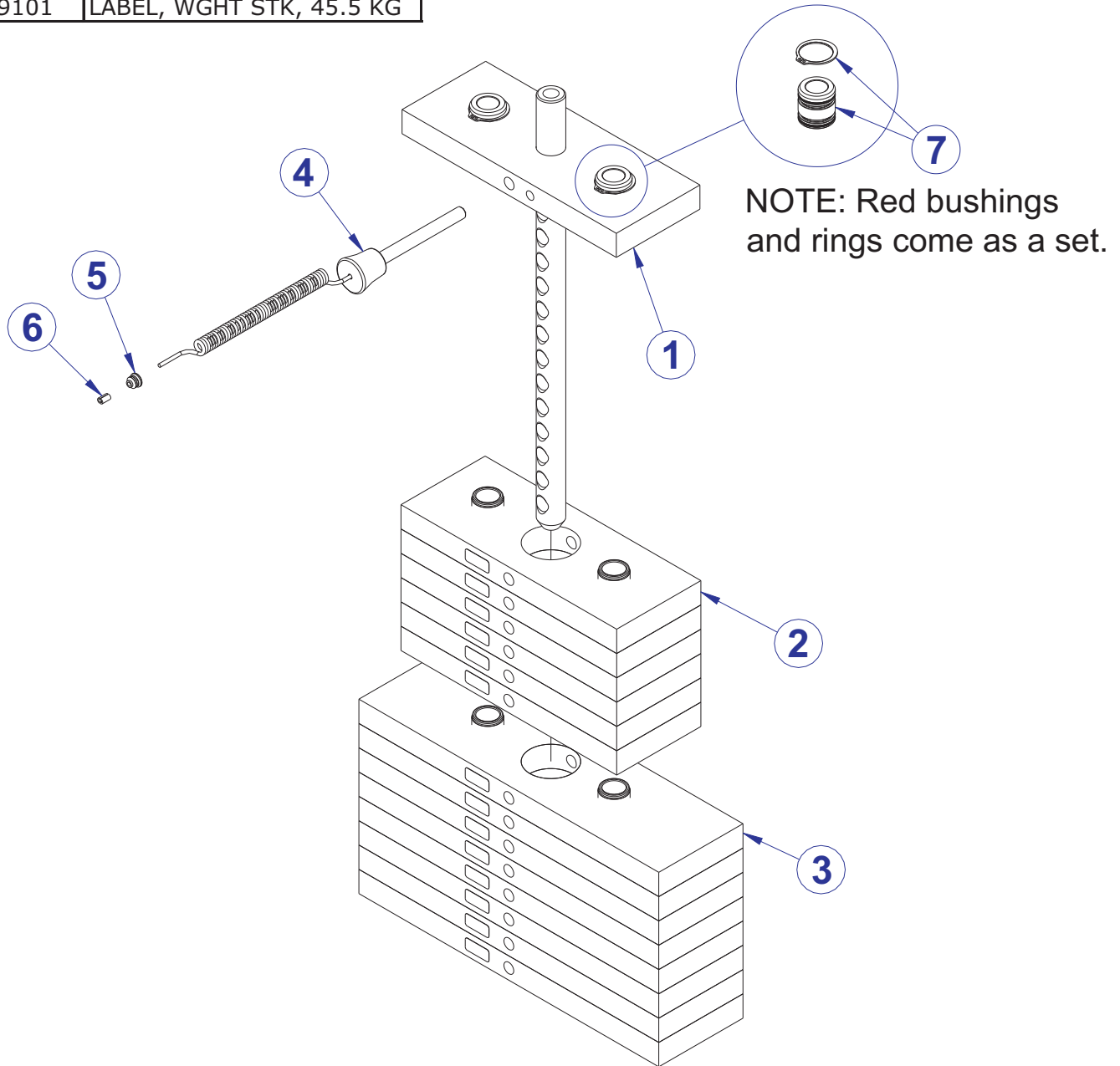


ITEM NO.	QTY.	PART NO.	DESCRIPTION	FRAME COLOR
1	3	7637901	ASSY, ROLLER-CONCAVE	-
2	1	7645401	SHAFT, CM/MJ, 6203 BRNG	-
3	4	3239101	SCREW, M5X10 PHL PAN TT ST	-
4	1	3237801	PULLEY, 4.5" OD	-
5	1	3245701	PULLEY, 3.5" OD, 10MM ID SG	-
6	2	3232413	RING, BRE .631, 5100-66, ST PP B	-
7	3	3236216	SCREW, M10 X1.5 95MM	-
8	6	3236801	NUT, M10 HEX NYLOCK SS	-
9	2	3236206	SCREW, M10 X1.5 45MM	-
10	1	7351501	SPRING, PULL PIN LARGE	-
11	1	8327901	ASSY, CM/MJ PULL PIN, BEVEL NOSE	-
12	1	7351401	KNOB, TULIP STYLE	-
		7424803	KNOB, POP PIN, YELLOW	
13	2	3245901	BEARING, 6203	-
14	12	3236601	WASHER, 3/8 SAE SS	-
15	1	3236217	SCREW, M10 X1.5 100MM	-
16	1	8039501	LABEL, WARNING, TRIANGLE	-
17	1	7821001	LABEL, WARNING ADJ. CARRIAGE	-
18	1	8327601	WLDMT, MJ ADJ PULLEY CARRIAGE	ANY
19	1	7633301	WLDMT, CM/MJ, SWIVEL PULLEY	ANY
20	1	7631801	BRKT, CM/MJ, CARRIAGE SHROUD	ANY

# CMACO CABLE MOTION ADJUSTABLE CROSSOVER 190LB. WEIGHT STACK ASSY. - 7647501

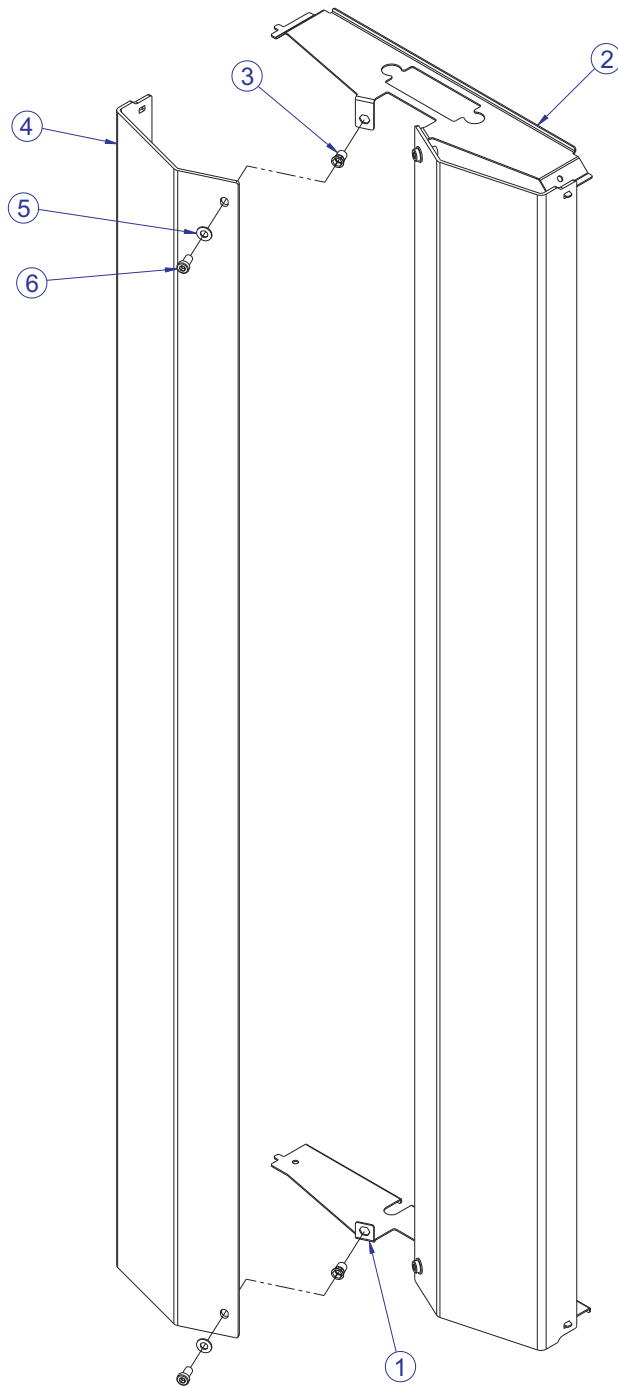
## WEIGHT PLATE LABELS

PART NO.	DESCRIPTION
8068901	LABEL, WGHT STK, 95 LBS
8069101	LABEL, WGHT STK, 45.5 KG



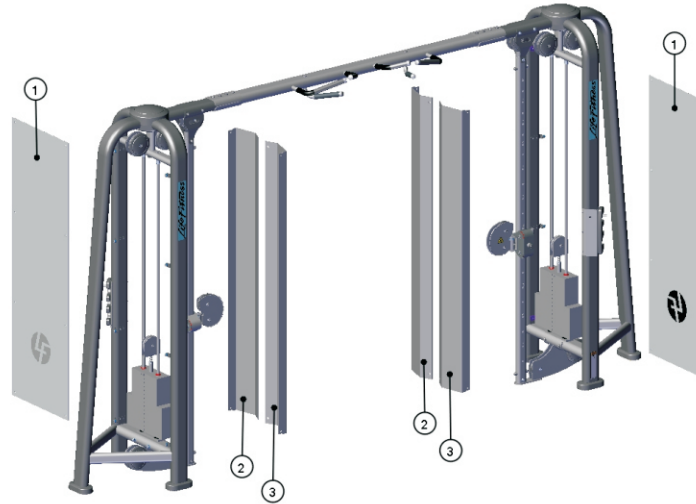
ITEM NO.	QTY.	PART NO.	DESCRIPTION
1	1	8920101	14 HOLE HEAD PLATE/BAYONET SER. KIT ASSY
2	6	7353701	ASSY, 10 LB PLATE
3	8	7353801	ASSY, 15 LB PLATE
4	1	7353001	ASSY, SELECTOR PIN
		8981903	ASSY, WT STACK SELECTOR PIN, SRT - YELLOW
5	1	7356501	PLUG, LANYARD ATTACHMENT
6	1	7523601	CRIMP, CABLE
7	2	7338001	BUSHING, HEADPLATE

# CMACO CABLE MOTION ADJUSTABLE CROSSOVER OPTIONAL FRONT SHROUD - 7766601

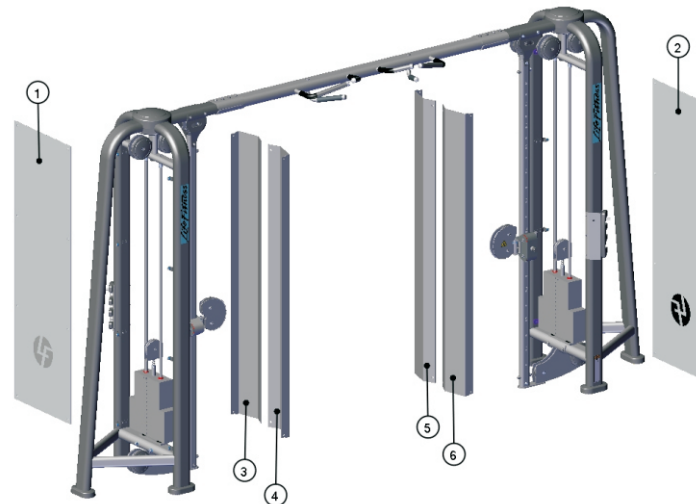


ITEM NO.	QTY.	PART NO.	DESCRIPTION	FRAME COLOR
1	1	7763695	BRKT, SHROUD, CM/MJ BOTTOM SG	SG
2	1	7763995	BRKT, SHROUD, CM/MJ TOP SG	SG
3	4	3238601	M10X1.5 BLIND THRD INSERT(HEX)	-
4	2	7634001	SHROUD, CM/MJ FRONT	-
5	4	3236601	WASHER,3/8 SAE STAINLESS STEEL	-
6	4	3236201	M10 X 1.5 X 20 SHCS, LOW HEAD	-

# CMACO CABLE MOTION ADJUSTABLE CROSSOVER OPTIONAL SHROUD STACKWRAPS (SHROUD + WRAP)



	ITEM NO.	QTY.	PART NO.	DESCRIPTION
BAMBOO	1	2	8951401	SHROUD, CM/MJ, REAR -BAMBOO
	2	2	8954801	SHROUD, CM/MJ, FNT, LT -BAMBOO
	3	2	8951501	SHROUD, CM/MJ, FNT, RT -BAMBOO
BRONZE	1	2	8951801	SHROUD, CM/MJ, REAR -BRONZE
	2	2	8955001	SHROUD, CM/MJ, FNT, LT -BRONZE
	3	2	8951901	SHROUD, CM/MJ, FNT, RT -BRONZE
ROSEWOOD	1	2	8952201	SHROUD, CM/MJ, REAR -ROSEWOOD
	2	2	8955201	SHROUD, CM/MJ, FNT, LT -ROSEWOOD
	3	2	8952301	SHROUD, CM/MJ, FNT, RT -ROSEWOOD
STAINLESS STEEL	1	2	8952401	SHROUD, CM/MJ, REAR -STAINLESS STEEL
	2	2	8955301	SHROUD, CM/MJ, FNT, LT -STAINLESS STEEL
	3	2	8952501	SHROUD, CM/MJ, FNT, RT -STAINLESS STEEL

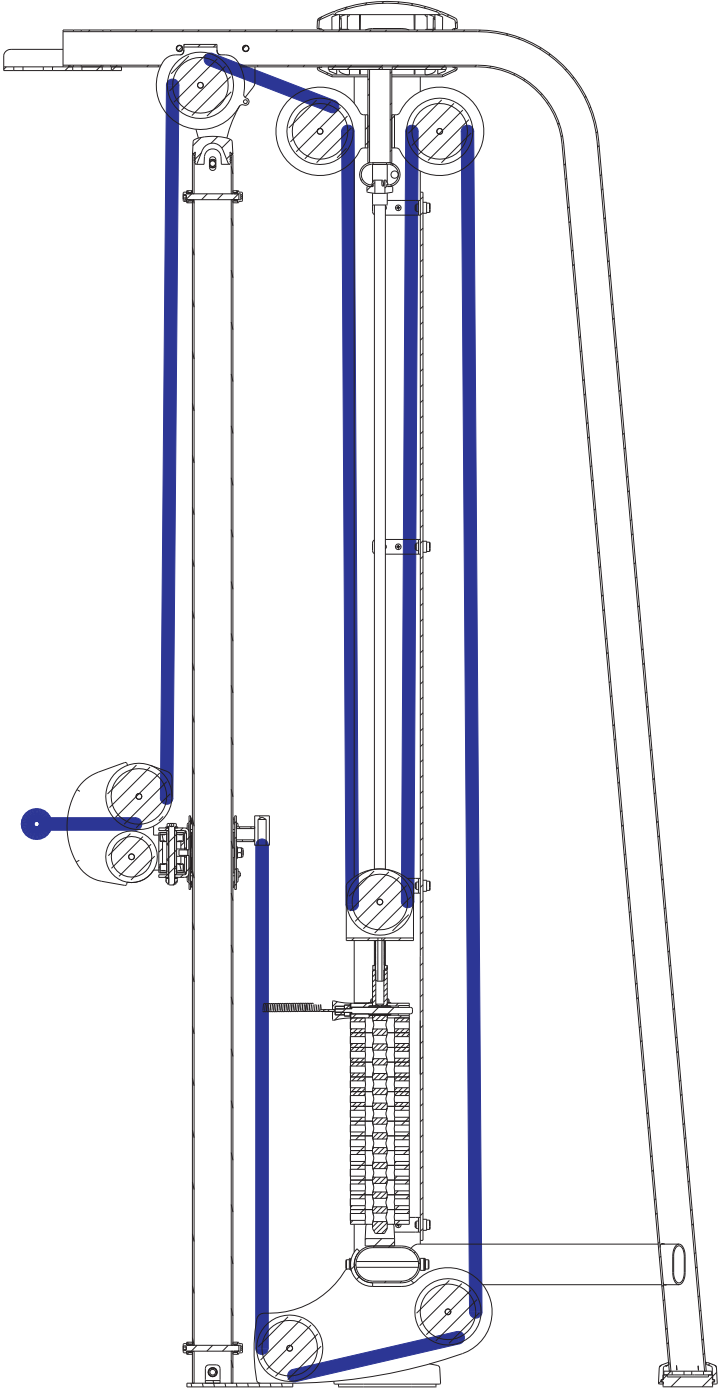


	ITEM NO.	QTY.	PART NO.	DESCRIPTION
SKY	1	1	8951602	SHROUD, CM/MJ, RT TOWER, REAR -SKY
	2	1	8951601	SHROUD, CM/MJ, LT TOWER, REAR -SKY
	3	1	8951701	SHROUD, CM/MJ, RT TOWER, FNT, RT -SKY
	4	1	8954901	SHROUD, CM/MJ, RT TOWER, FNT, LT -SKY
	5	1	8954902	SHROUD, CM/MJ, LT TOWER, FNT, LT -SKY
	6	1	8951702	SHROUD, CM/MJ, LT TOWER FNT, RT -SKY
STEM	1	1	8952001	SHROUD, CM/MJ, RT TOWER, REAR -STEM
	2	1	8952002	SHROUD, CM/MJ, LT TOWER, REAR -STEM
	3	1	8952102	SHROUD, CM/MJ, RT TOWER, FNT, RT -STEM
	4	1	8955102	SHROUD, CM/MJ, RT TOWER, FNT, LT -STEM
	5	1	8955101	SHROUD, CM/MJ, LT TOWER, FNT, LT -STEM
	6	1	8952101	SHROUD, CM/MJ, LT TOWER, FNT, RT -STEM

# CMACO CABLE MOTION ADJUSTABLE CROSSOVER CABLE ROUTING

---

SOME COMPONENTS REMOVED FOR DISPLAY



# CMACO CABLE MOTION ADJUSTABLE CROSSOVER IMAGE

---

