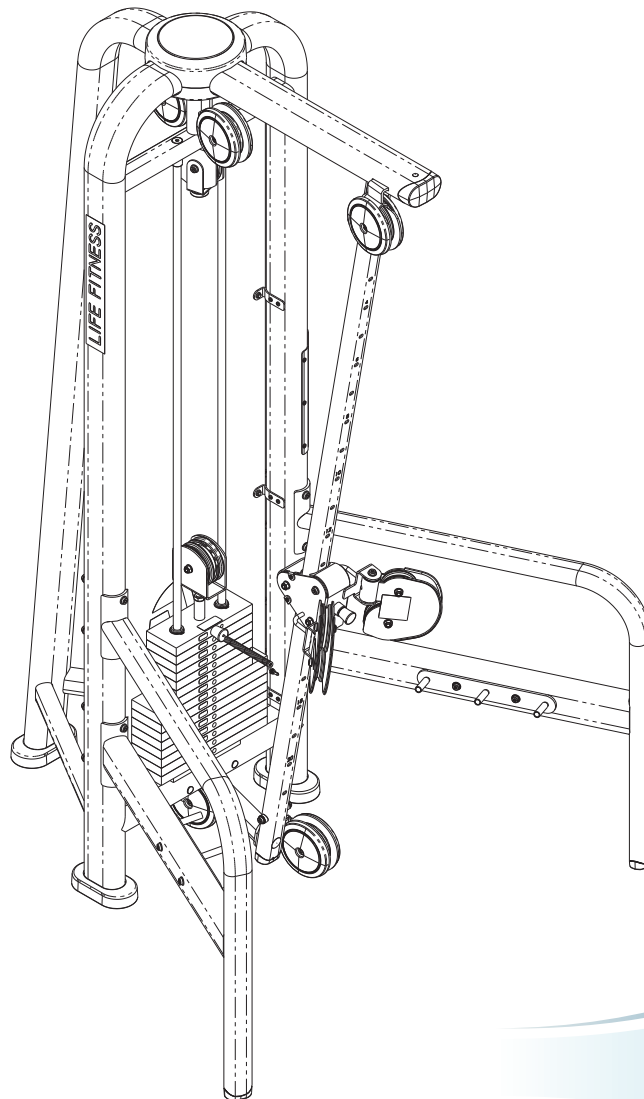


# Signature Series Cable Motion Cable Column CMCC

SERIAL NUMBER CMCC0908005 & UP

## Parts List



*LifeFitness*  
WHAT WE LIVE FOR

# CMCC CABLE COLUMN CONTENTS

---

FRAME AND UPHOLSTERY COLORS..... 3

COMPONENT ASSEMBLY..... 4

CMCC FRAME ASSEMBLY..... 5

CMCC FRAME ASSEMBLY LEGEND..... 6

RIGHT HAND OUTRIGGER ASSEMBLY..... 7

CMCC CARRIAGE ASSEMBLY..... 8

LEFT HAND OUTRIGGER ASSEMBLY..... 9

STACK PULLEY ASSEMBLY..... 10

190 LB. WEIGHT STACK ASSEMBLY..... 11

SPORT BAR ASSEMBLY..... 12

ACCESSORIES..... 13

OPTIONAL FRONT SHROUD KIT..... 14

OPTIONAL SHROUD WRAPS..... 15

CABLE ROUTING..... 16

IMAGE..... 17

# CMCC CABLE COLUMN FRAME AND UPHOLSTERY COLORS

---

## Strength Frame Colors



Platinum



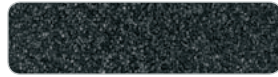
White



Black



Ice Blue Metallic



Midnight Metallic



Nickel



Blue



Red



Yellow



Candy Apple Red

Note: Include frame color in pick-slip notes when ordering frame assemblies or weldments.

## Strength Upholstery Colors



American Beauty Red 07



Azure 20



Black 01



Cranberry 04



Graphite 22



Hunter Green 13



Regimental Blue 14



Royal Blue 02



Slate 03



Wheat 21



Burgundy 29



Candy Apple Red 28



Chestnut 34



Concord 16



Crocus 19



Dove Gray 37



Emerald 27



Grotto 25



Gun Metal 39



Imperial Blue 33



Jade 26



Navy 32



Northwoods Green 05



Paprika 35



Plum 30



Putty 38



Space Blue 06



Suede 08



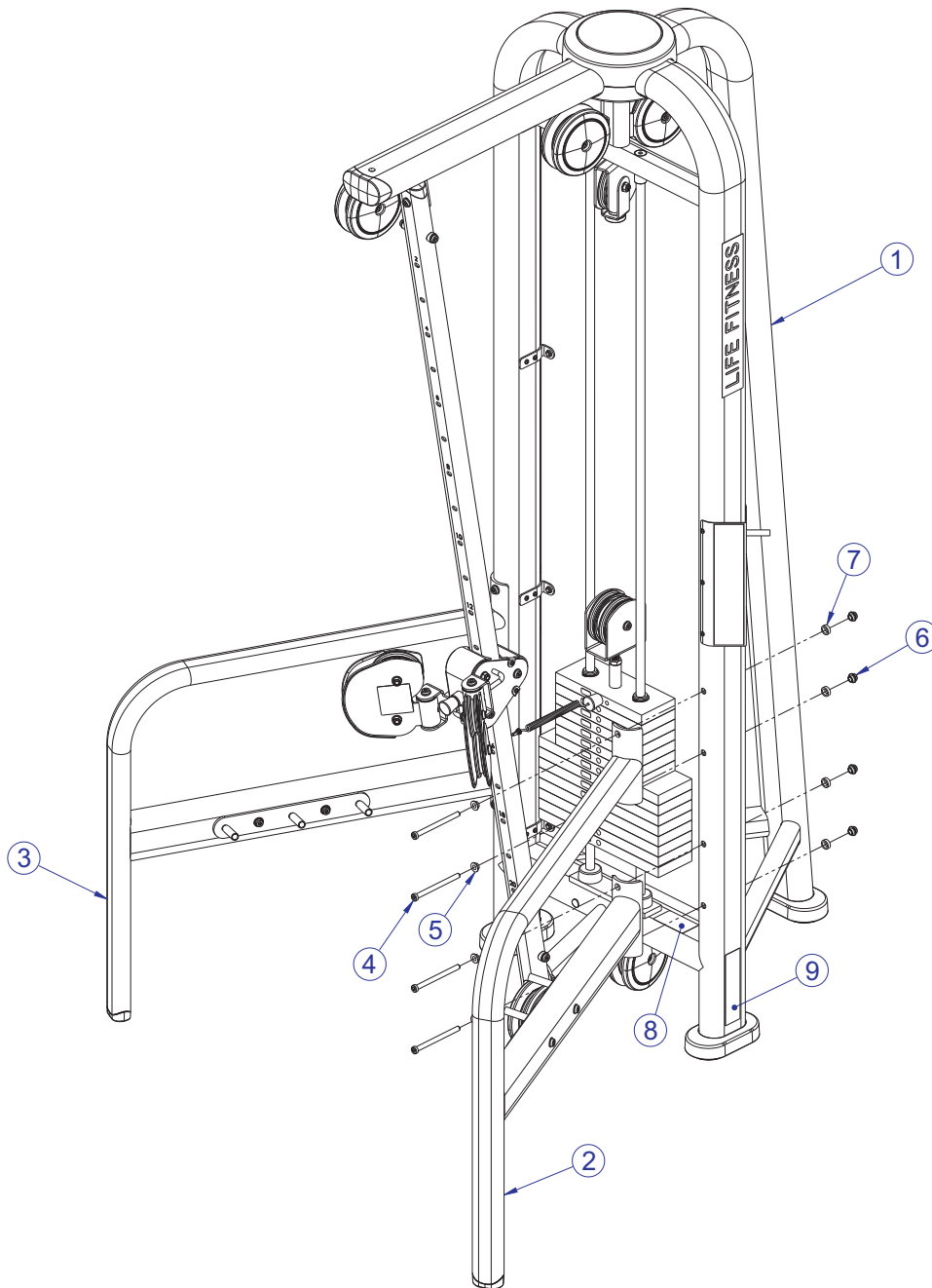
Terra Cotta 36



Turquoise 17

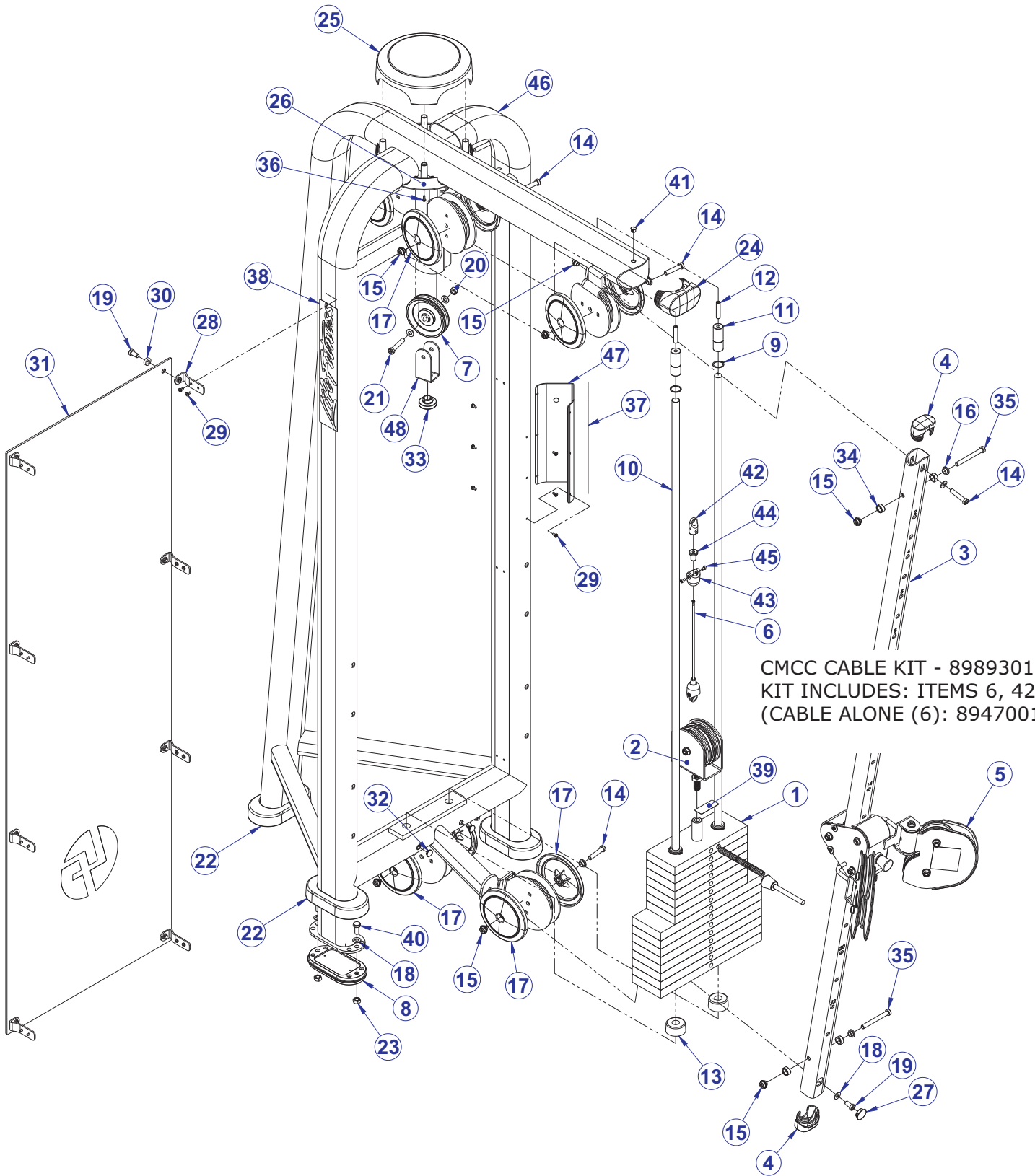
Note: Replace XX with above color suffix when ordering pads (ie. 74123XX = 7412301 Black)  
Use 99 suffix for custom upholstery.

# CMCC CABLE COLUMN COMPONENT ASSEMBLY



| ITEM NO. | QTY. | PART NO. | DESCRIPTION                   | FRAME COLOR |
|----------|------|----------|-------------------------------|-------------|
| 1        | 1    | 7751001  | ASSY, CMCC FRAME              | ANY         |
| 2        | 1    | 7751101  | ASSY, CMCC RH OUTRIGGER       | ANY         |
| 3        | 1    | 7751201  | ASSY, CMCC LH OUTRIGGER       | ANY         |
| 4        | 8    | 3236220  | M10 X 1.5 X 130 HXS SOC CS SS | -           |
| 5        | 8    | 7630101  | RETAINER, CM/MJ, PULLEY       | -           |
| 6        | 8    | 7335401  | NUT, SOCKET HEAD M10 X 1.5 SS | -           |
| 7        | 8    | 7634701  | SPACER, CM/MJ, .565 X .815    | -           |
| 8        | 1    | 7571301  | LABEL, SERIAL NUMBER CLASS S  | -           |
| 9        | 1    | 7422004  | LABEL, 2" ASTM WARNING        | -           |

# CMCC CABLE COLUMN CMCC FRAME ASSEMBLY - 7751001



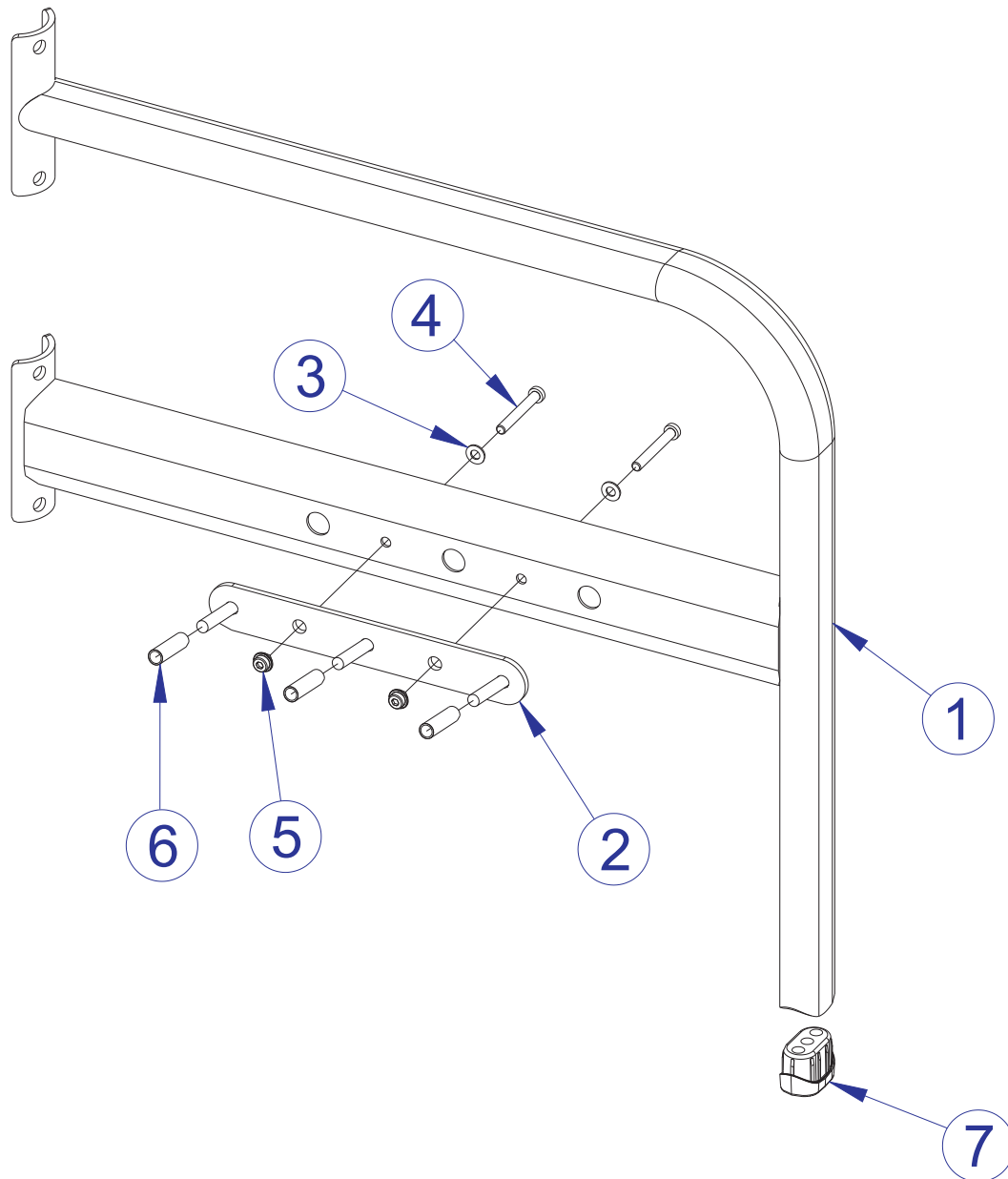
SEE PAGE 6 FOR LEGEND

# CMCC CABLE COLUMN

## CMCC FRAME ASSEMBLY LEGEND

| ITEM NO. | QTY. | PART NO. | DESCRIPTION                                | FRAME COLOR |
|----------|------|----------|--|-------------|
| 1        | 1    | 7647501  | ASSY, 190LB STACK                          | -           |
| 2        | 1    | 7750701  | ASSY, CMDAP STACK PULLEYS                  | SG          |
| 3        | 1    | 8300101  | TUBE, CMCC ADJ COLUMN                      | -           |
| 4        | 2    | 7333801  | CAP, SMALL FLOV- END                       | -           |
| 5        | 1    | 8347501  | ASSY, CMCC CARRIAGE -GRAY KNOB             | ANY         |
|          |      | 8347503  | ASSY, CMCC CARRIAGE -YELLOW KNOB           |             |
| 6        | 1    | 8989301  | KIT, CMCC, CABLE (INCLUDES CABLE AND ENDS) | -           |
| 7        | 6    | 3237801  | PULLEY, 4.5" OD                            | -           |
| 8        | 3    | 7334001  | FOOT, 2.50 X 4.49 FLOV                     | -           |
| 9        | 2    | 3232421  | RING, BRE .940, 5100-100 ST PP B           | -           |
| 10       | 2    | 7328618  | GUIDE ROD, .75 OD SOLID 71.50              | -           |
| 11       | 2    | 7634401  | RETAINER, CM/MJ, GUIDEROD                  | -           |
| 12       | 2    | 3240502  | M10 X 1.5 X 50 HXS NO CUP ST BO            | -           |
| 13       | 2    | 7352101  | CUSHION, WEIGHT STACK                      | -           |
| 14       | 6    | 3236207  | SCREW, M10 X1.5 50MM                       | -           |
| 15       | 8    | 7335401  | NUT, M10 X 1.5 SOCKET HEAD                 | -           |
| 16       | 7    | 7630101  | RETAINER, CM/MJ, PULLEY                    | -           |
| 17       | 10   | 7629901  | COVER, PULLEY- BOLTED FULL                 | -           |
| 18       | 10   | 3236601  | WASHER, 3/8 SAE SS                         | -           |
| 19       | 9    | 3236201  | SCREW, M10 X1.5 20MM                       | -           |
| 20       | 1    | 3236801  | NUT, M10 HEX NYLOCK SS                     | -           |
| 21       | 1    | 3236208  | SCREW, M10 X1.5 55MM                       | -           |
| 22       | 3    | 7340201  | COVER, FOOT - STRAIGHT                     | -           |
| 23       | 6    | 3254703  | NUT, M10 X 1.5 HEX ZINC                    | -           |
| 24       | 1    | 7333901  | CAP, LARGE FLOV- END                       | -           |
| 25       | 1    | 7629201  | COVER, CENTER TOP                          | -           |
| 26       | 2    | 7629801  | COVER, CENTER BOTTOM                       | -           |
| 27       | 1    | 3237403  | PLUG, 1" HOLE                              | -           |
| 28       | 8    | 7642001  | BRKT, CM/MJ, REAR SHROUD                   | -           |
| 29       | 22   | 3270601  | SCREW, #10-32 TRX PAN ST BZ                | -           |
| 30       | 8    | 7385201  | SPACER, .406 X .750 X .250                 | -           |
| 31       | 1    | 8353201  | SHROUD, CM/MJ REAR                         | -           |
| 32       | 4    | 7646801  | PLUG, CURVED HOLE                          | -           |
| 33       | 1    | 7642301  | BUMPER, CM/MJ, PLUG                        | -           |
| 34       | 4    | 7645501  | SPACER, CM/MJ, SM FLOV CONCAVE             | -           |
| 35       | 2    | 3236215  | SCREW, M10 X1.5 90MM                       | -           |
| 36       | 4    | 3236501  | M4 X 0.7 PHL PAN MS ST ZN                  | -           |
| 37       | 1    | 7752801  | LABEL, PLACARD CMCC-ENGLISH                | -           |
|          |      | 7752802  | LABEL, PLACARD CMCC-GERMAN                 |             |
|          |      | 7752803  | LABEL, PLACARD CMCC-FRENCH                 |             |
|          |      | 7752804  | LABEL, PLACARD CMCC-SPANISH                |             |
|          |      | 7752805  | LABEL, PLACARD CMCC-ITALIAN                |             |
|          |      | 7752806  | LABEL, PLACARD CMCC-DUTCH                  |             |
|          |      | 7752807  | LABEL, PLACARD CMCC-JAPANESE               |             |
|          |      | 7752808  | LABEL, PLACARD CMCC-PORTUGUESE             |             |
| 38       | 2    | 7348001  | LABEL, LIFE FITNESS LOGO                   | -           |
| 39       | 1    | 7744501  | LABEL, WEIGHT AT HANDLE                    | -           |
| 40       | 6    | 3251202  | SCREW, M10 X1.5 X 25MM UNS HEX CS ST ZN    | -           |
| 41       | 1    | 3237401  | PLUG, 7/16" HOLE                           | -           |
| 42       | 2    | 8943601  | LINK, CM/MJ, CABLE END                     | -           |
| 43       | 2    | 8943701  | HSNG, CM/MJ, CABLE END                     | -           |
| 44       | 2    | 8943801  | INSERT, CM/MJ, CABLE END                   | -           |
| 45       | 4    | 3250002  | M5 X 0.8 HXS SOC CS ST BZ X 8              | -           |
| 46       | 1    | 7721601  | WLDMT, CMCC FRAME                          | ANY         |
| 47       | 1    | 7647001  | WLDMT, CM/MJ, PLACARD BRKT                 | ANY         |
| 48       | 1    | 7732401  | BRKT, STACK BUMPER MOUNT                   | ANY         |

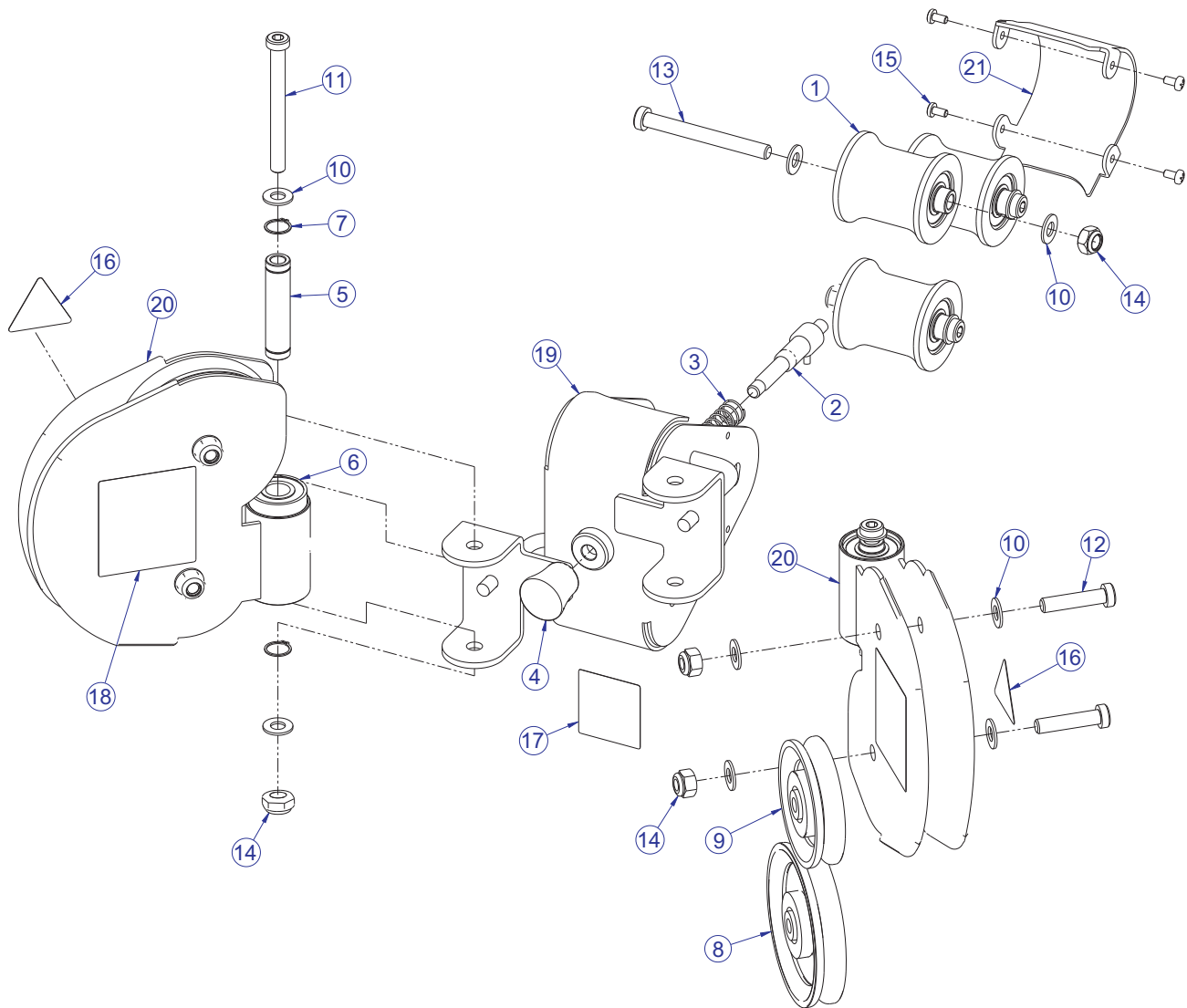
# CMCC CABLE COLUMN RIGHT HAND OUTRIGGER ASSEMBLY - 7751101



| ITEM NO. | QTY. | PART NO. | DESCRIPTION                     | FRAME COLOR |
|----------|------|----------|---------------------------------|-------------|
| 1        | 1    | 7721701  | WLDMT, CMCC RH OUTRIGGER        | ANY         |
| 2        | 1    | 7644895  | WLDMT, CM ACC RACK SHADOW GRAY  | SG          |
| 3        | 2    | 3236601  | WASHER, 3/8 SAE STAINLESS STEEL | -           |
| 4        | 2    | 3236212  | M10 X 1.5 X 75 HXS SOC CS SS    | -           |
| 5        | 2    | 7335401  | NUT, SOCKET HEAD M10 X 1.5 SS   | -           |
| 6        | 3    | 7749601  | SLEEVE, .50" ID X 2.25"         | -           |
| 7        | 1    | 7317901  | STOP, BUMPER                    | -           |

# CMCC CABLE COLUMN

## CMCC CARRIAGE ASSEMBLY - 83475XX

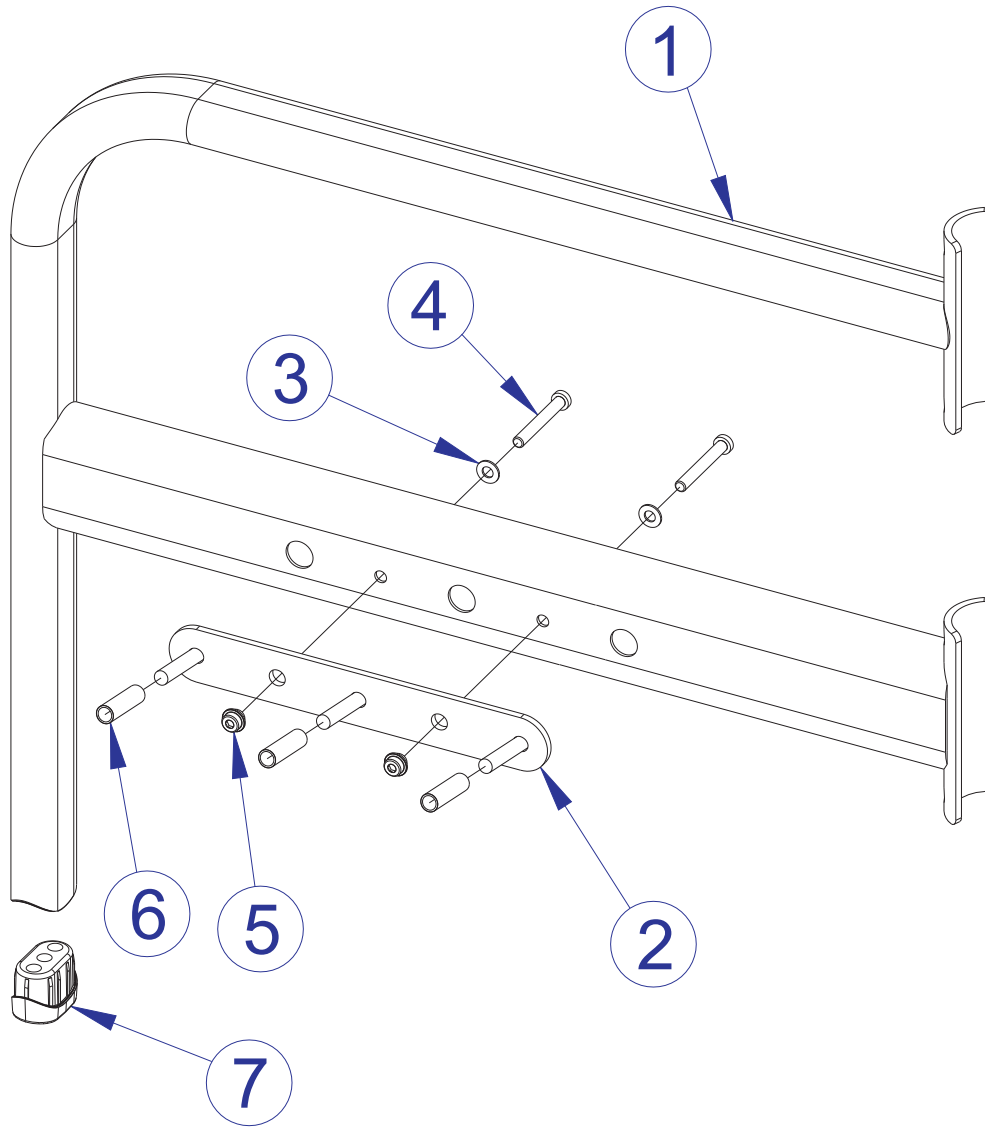


| ITEM NO. | QTY. | PART NO. | DESCRIPTION                      | FRAME COLOR |
|----------|------|----------|----------------------------------|-------------|
| 1        | 3    | 7637901  | ASSY, ROLLER-CONCAVE             | -           |
| 2        | 1    | 8327901  | ASSY, CM/MJ PULL PIN, BEVEL NOSE | -           |
| 3        | 1    | 7351501  | SPRING, PULL PIN LARGE           | -           |
| 4        | 1    | 7351401  | KNOB, TULIP STYLE                | -           |
|          |      | 7424803  | KNOB, POP PIN, YELLOW            | -           |
| 5        | 2    | 7645401  | SHAFT, CM/MJ, 6203 BRNG          | -           |
| 6        | 4    | 3245901  | BEARING, 6203                    | -           |
| 7        | 4    | 3232413  | RING, BRE .631, 5100-66, ST PP B | -           |
| 8        | 2    | 3237801  | PULLEY, 4.5" OD                  | -           |
| 9        | 2    | 3245701  | PULLEY, 3.5" OD, 10MM ID SG      | -           |
| 10       | 18   | 3236601  | WASHER, 3/8 SAE SS               | -           |
| 11       | 2    | 3236217  | SCREW, M10 X1.5 100MM            | -           |
| 12       | 4    | 3236206  | SCREW, M10 X1.5 45MM             | -           |
| 13       | 3    | 3236216  | SCREW, M10 X1.5 95MM             | -           |
| 14       | 9    | 3236801  | NUT, M10 HEX NYLOCK SS           | -           |
| 15       | 4    | 3239101  | SCREW, M5X10 PHL PAN TT ST       | -           |
| 16       | 2    | 8039501  | LABEL, WARNING, TRIANGLE         | -           |
| 17       | 1    | 7821002  | LABEL, WARNING ADJ. CARRIAGE     | -           |
| 18       | 2    | 7821001  | LABEL, WARNING ADJ. CARRIAGE     | -           |
| 19       | 1    | 8347601  | WLDMT, CMCC CARRIAGE             | ANY         |
| 20       | 2    | 7722001  | WLDMT, CMCC SWIVEL PULLEY        | ANY         |
| 21       | 1    | 7631801  | BRKT, CM/MJ, CARRIAGE SHROUD     | ANY         |



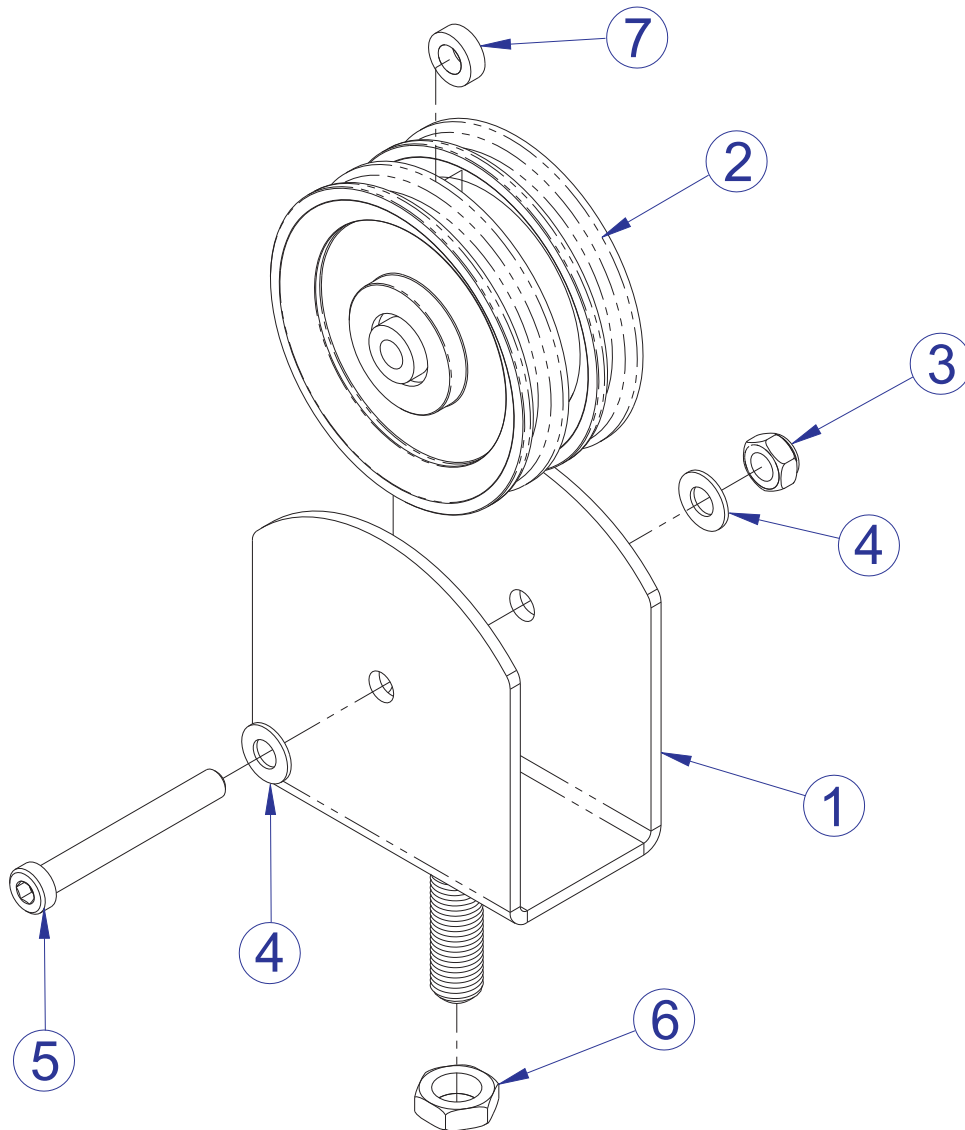
# CMCC CABLE COLUMN

## LEFT HAND OUTRIGGER ASSEMBLY - 7751201



| ITEM NO. | QTY. | PART NO. | DESCRIPTION                     | FRAME COLOR |
|----------|------|----------|---------------------------------|-------------|
| 1        | 1    | 7721801  | WLDMT, CMCC LH OUTRIGGER        | ANY         |
| 2        | 1    | 7644895  | WLDMT, CM ACC RACK SHADOW GRAY  | SG          |
| 3        | 2    | 3236601  | WASHER, 3/8 SAE STAINLESS STEEL | -           |
| 4        | 2    | 3236212  | M10 X 1.5 X 75 HXS SOC CS SS    | -           |
| 5        | 2    | 7335401  | NUT, SOCKET HEAD M10 X 1.5 SS   | -           |
| 6        | 3    | 7749601  | SLEEVE, .50" ID X 2.25"         | -           |
| 7        | 1    | 7317901  | STOP, BUMPER                    | -           |

# CMCC CABLE COLUMN STACK PULLEY ASSEMBLY - 7750701



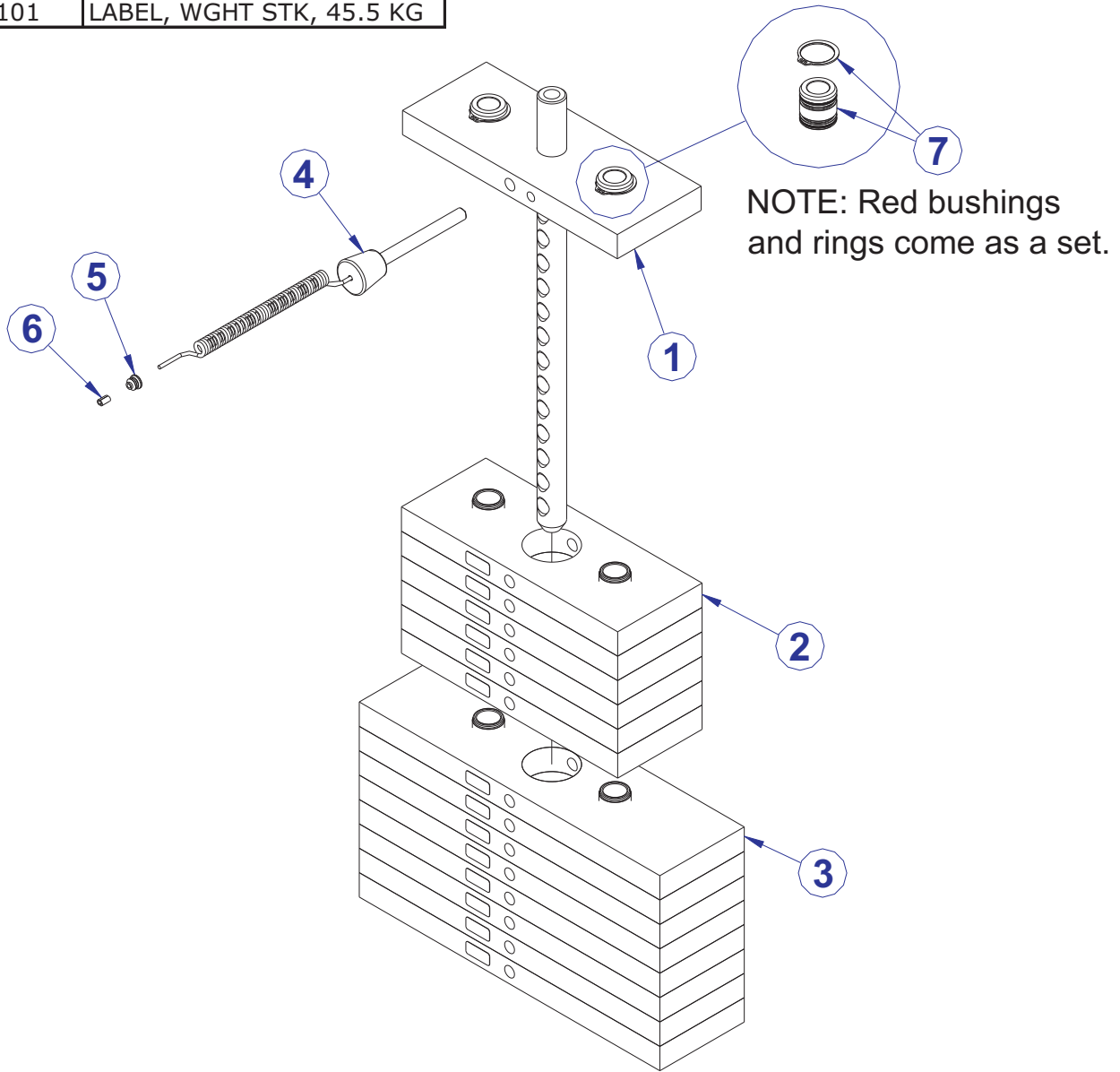
| ITEM NO. | QTY. | PART NO. | DESCRIPTION                  | FRAME COLOR |
|----------|------|----------|------------------------------|-------------|
| 1        | 1    | 7644095  | WLDMT, HEAD PLATE DBL PULLEY | SG          |
| 2        | 2    | 3237801  | PULLEY, 4.5" OD              | -           |
| 3        | 1    | 3236801  | NUT, M10 HEX NYLOCK SS       | -           |
| 4        | 2    | 3236601  | WASHER, 3/8 SAE SS           | -           |
| 5        | 1    | 3236213  | SCREW, M10 X1.5 80MM         | -           |
| 6        | 1    | 3236902  | NUT, M16 X 2 HEX JAM SS      | -           |
| 7        | 1    | 7385201  | SPACER, .406 X .750 X .250   | -           |

# CMCC CABLE COLUMN

## 190 LB. WEIGHT STACK ASSEMBLY - 7647501

### WEIGHT PLATE LABELS

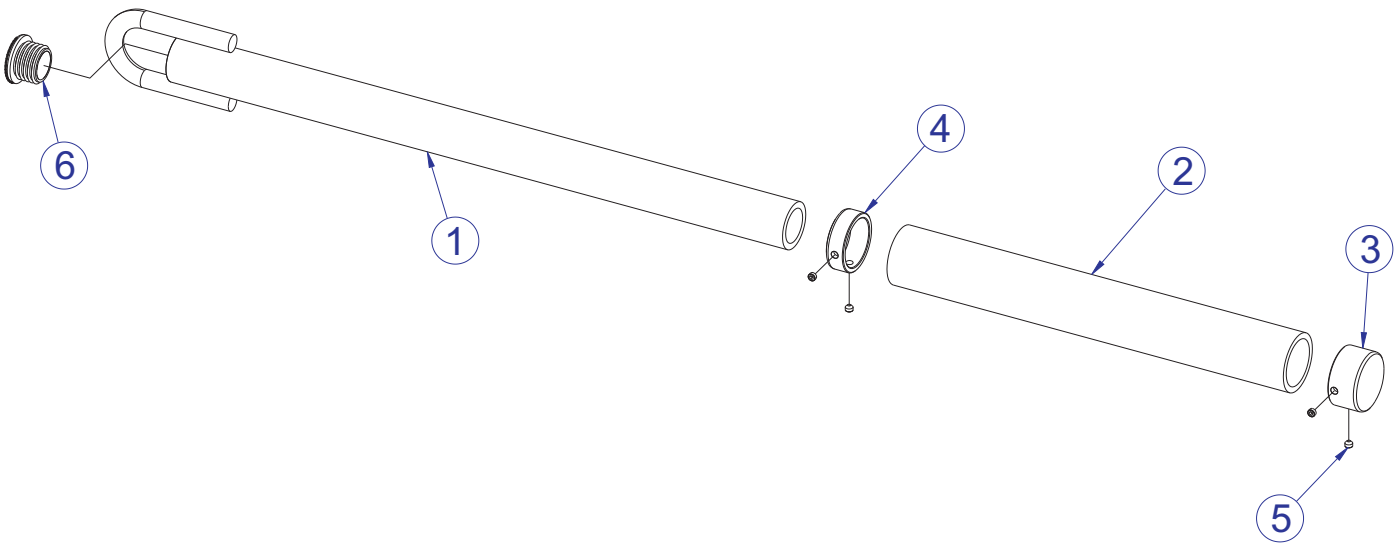
| PART NO. | DESCRIPTION              |
|----------|--------------------------|
| 8068901  | LABEL, WGHT STK, 95 LBS  |
| 8069101  | LABEL, WGHT STK, 45.5 KG |



| ITEM NO. | QTY. | PART NO. | DESCRIPTION                               |
|----------|------|----------|---|
| 1        | 1    | 8920101  | 14 HOLE HEAD PLATE/BAYONET SER. KIT ASSY  |
| 2        | 6    | 7353701  | ASSY, 10 LB PLATE                         |
| 3        | 8    | 7353801  | ASSY, 15 LB PLATE                         |
| 4        | 1    | 7353001  | ASSY, SELECTOR PIN                        |
|          |      | 8981903  | ASSY, WT STACK SELECTOR PIN, SRT - YELLOW |
| 5        | 1    | 7356501  | PLUG, LANYARD ATTACHMENT                  |
| 6        | 1    | 7523601  | CRIMP, CABLE                              |
| 7        | 2    | 7338001  | BUSHING, HEADPLATE                        |

# CMCC CABLE COLUMN SPORT BAR ASSEMBLY - 7753201

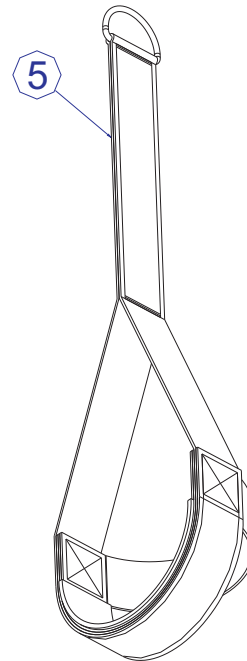
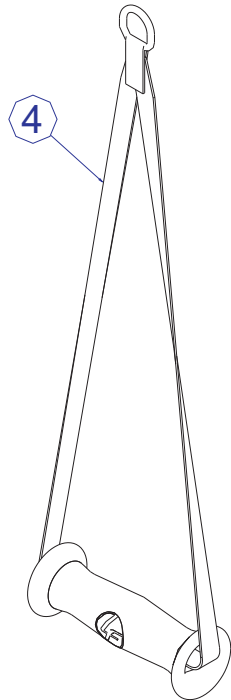
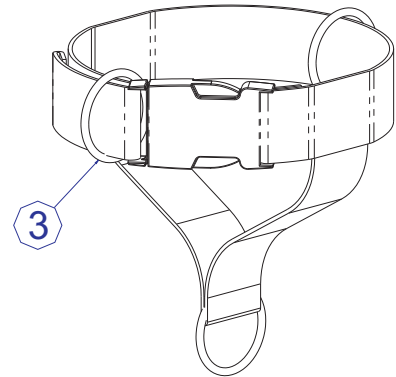
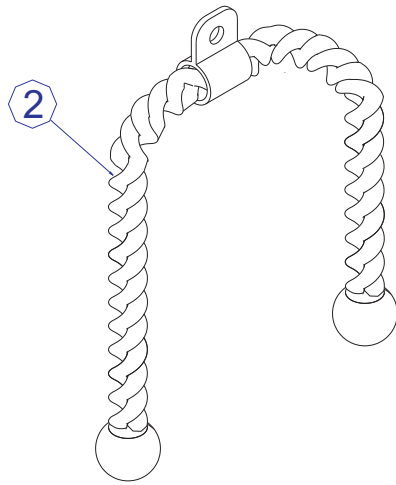
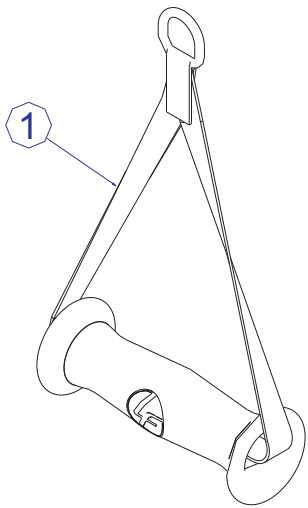
---



| ITEM NO. | QTY. | PART NO. | DESCRIPTION                        | FRAME COLOR |
|----------|------|----------|------------------------------------|-------------|
| 1        | 1    | 7760395  | WLDMT, SPORT BAR                   | SG          |
| 2        | 1    | 3235801  | GRIP, 1.25 OD X .125 WALL OPEN END | -           |
| 3        | 1    | 7662801  | RING, GRIP 1.25 OD                 | -           |
| 4        | 1    | 7662901  | CAP, GRIP 1.25 OD                  | -           |
| 5        | 4    | 3247701  | M4 X .7 HXS NO CUP ST BO           | -           |
| 6        | 1    | 3119304  | CAP, END 1 DIA RD 10-12GA          | -           |

# CMCC CABLE COLUMN ACCESSORIES

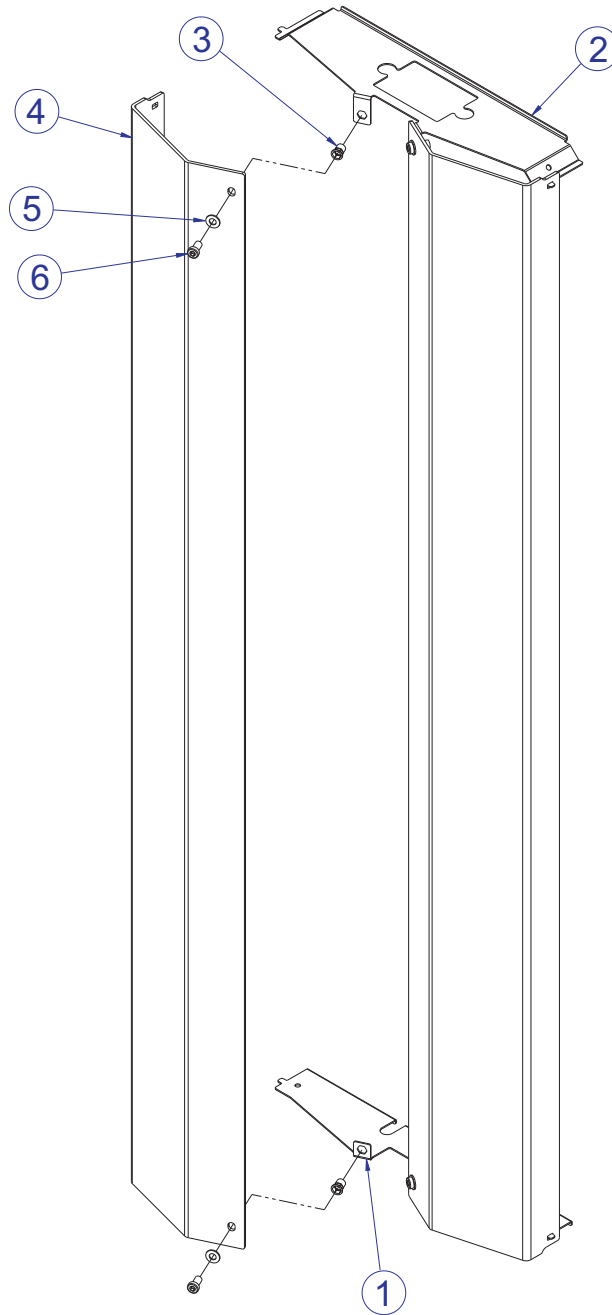
---



| ITEM NO. | QTY. | PART NO. | DESCRIPTION                |
|----------|------|----------|----------------------------|
| 1        | 2    | 8219601  | HANDLE, CM/MJ, SHORT STRAP |
| 2        | 1    | 6851501  | ROPE, TRICEP               |
| 3        | 1    | 7734701  | STRAP, 4-WAY ANKLE         |
| 4        | 2    | 8219701  | HANDLE, CM/MJ, LONG STRAP  |
| 5        | 1    | 7753001  | LE/LC STRAP                |

# CMCC CABLE COLUMN OPTIONAL FRONT SHROUD KIT - 7766801

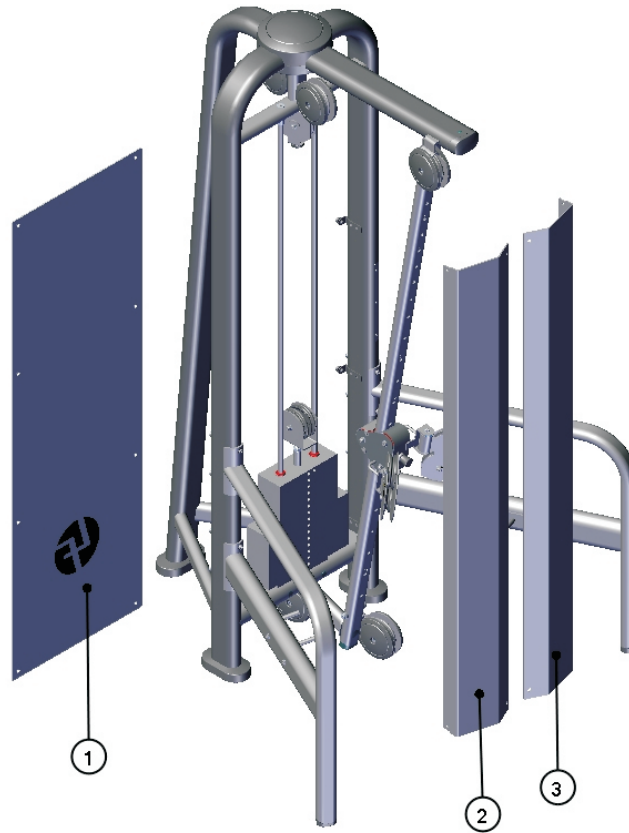
---









| ITEM NO. | QTY. | PART NO. | DESCRIPTION                     | FRAME COLOR |
|----------|------|----------|---------------------------------|-------------|
| 1        | 1    | 7763695  | BRKT, SHROUD, CM/MJ BOTTOM SG   | SG          |
| 2        | 1    | 7763895  | BRKT, SHROUD, CMCC TOP SG       | SG          |
| 3        | 4    | 3238601  | M10X1.5 BLIND THRD INSERT(HEX)  | -           |
| 4        | 2    | 7634001  | SHROUD, CM/MJ FRONT             | -           |
| 5        | 4    | 3236601  | WASHER, 3/8 SAE STAINLESS STEEL | -           |
| 6        | 4    | 3236201  | M10 X 1.5 X 20 HXS SOC CS SS    | -           |

# CMCC CABLE COLUMN

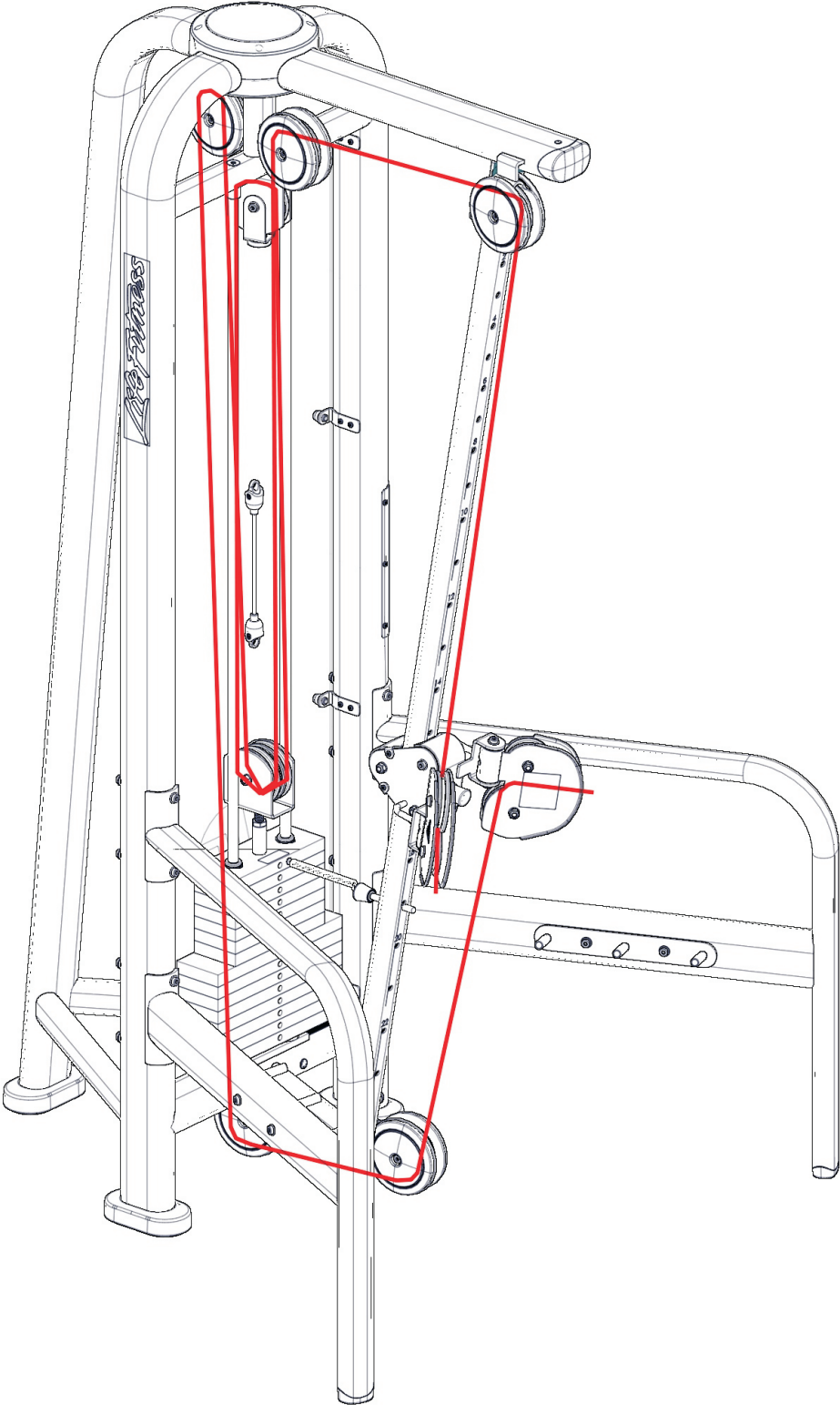
## OPTIONAL SHROUD STACKWRAPS (SHROUD + WRAP)



|   | ITEM NO. | QTY. | PART NO. | DESCRIPTION                             |
|---|----------|------|----------|---|
|  | 1        | 1    | 8951401  | SHROUD, CM/MJ, REAR -BAMBOO             |
|   | 2        | 1    | 8954801  | SHROUD, CM/MJ, FNT, LT -BAMBOO          |
|   | 3        | 1    | 8951501  | SHROUD, CM/MJ, FNT, RT -BAMBOO          |
|  | 1        | 1    | 8951801  | SHROUD, CM/MJ, REAR -BRONZE             |
|   | 2        | 1    | 8955001  | SHROUD, CM/MJ, FNT, LT -BRONZE          |
|   | 3        | 1    | 8951901  | SHROUD, CM/MJ, FNT, RT -BRONZE          |
|  | 1        | 1    | 8952201  | SHROUD, CM/MJ, REAR -ROSEWOOD           |
|   | 2        | 1    | 8955201  | SHROUD, CM/MJ, FNT, LT -ROSEWOOD        |
|   | 3        | 1    | 8952301  | SHROUD, CM/MJ, FNT, RT -ROSEWOOD        |
|  | 1        | 1    | 8952401  | SHROUD, CM/MJ, REAR -STAINLESS STEEL    |
|   | 2        | 1    | 8955301  | SHROUD, CM/MJ, FNT, LT -STAINLESS STEEL |
|   | 3        | 1    | 8952501  | SHROUD, CM/MJ, FNT, RT -STAINLESS STEEL |
|  | 1        | 1    | 8951602  | SHROUD, CM/MJ, RT TOWER, REAR -SKY      |
|   | 2        | 1    | 8954901  | SHROUD, CM/MJ, RT TOWER, FNT, LT -SKY   |
|   | 3        | 1    | 8951701  | SHROUD, CM/MJ, RT TOWER, FNT, RT -SKY   |
|  | 1        | 1    | 8952001  | SHROUD, CM/MJ, RT TOWER, REAR -STEM     |
|   | 2        | 1    | 8955102  | SHROUD, CM/MJ, RT TOWER, FNT, LT -STEM  |
|   | 3        | 1    | 8952102  | SHROUD, CM/MJ, RT TOWER, FNT, RT -STEM  |

# CMCC CABLE COLUMN CABLE ROUTING

---





# CMCC CABLE COLUMN IMAGE

---

