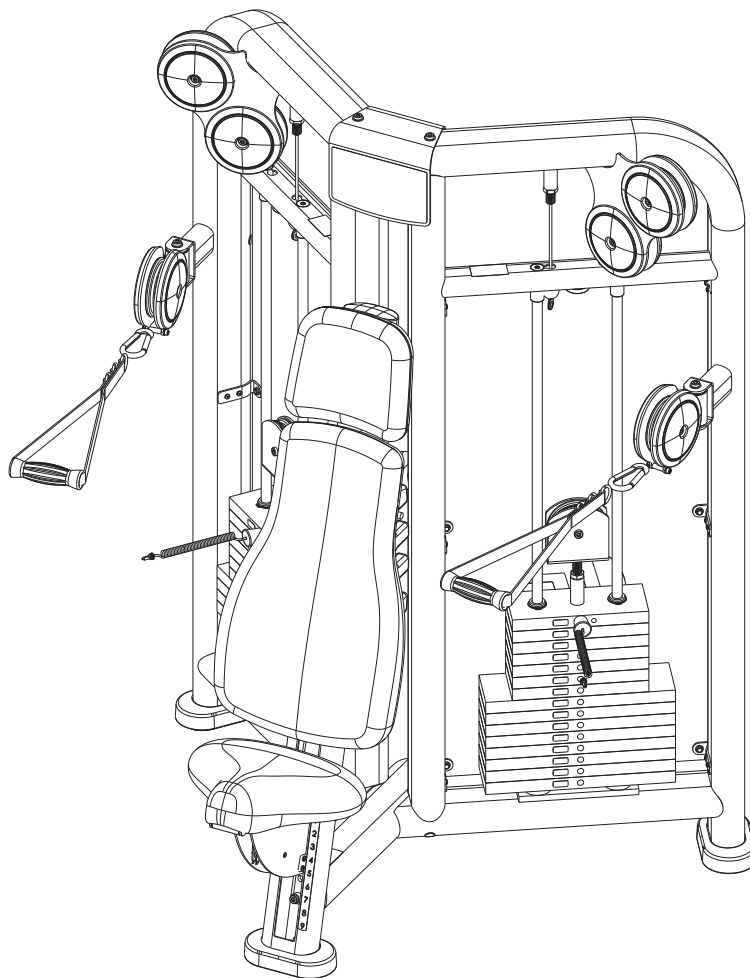


Signature Series Cable Motion CMCP Chest Press

CMCP

Parts List



CMCP CHEST PRESS CONTENTS

FRAME AND UPHOLSTERY COLORS..... 3

COMPONENT ASSEMBLY..... 4

COMPONENT ASSEMBLY II..... 5

COMPONENT ASSEMBLY LEGEND..... 6

FZ SEAT CARRIAGE ASSEMBLY..... 7

ADJUSTER HANDLE ASSEMBLY..... 8

190LB WEIGHT STACK ASSEMBLY..... 9

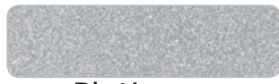
OPTIONAL FRONT SHROUD KIT..... 10

OPTIONAL SHROUD STACKWRAPS..... 11

IMAGE..... 12

CMCP CHEST PRESS FRAME AND UPHOLSTERY COLORS

Strength Frame Colors



Platinum



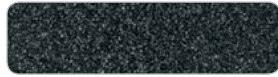
White



Black



Ice Blue Metallic



Midnight Metallic



Nickel



Blue



Red



Yellow



Candy Apple Red

Note: Include frame color in pick-slip notes when ordering frame assemblies or weldments.

Strength Upholstery Colors



American Beauty Red 07



Azure 20



Black 01



Cranberry 04



Graphite 22



Hunter Green 13



Regimental Blue 14



Royal Blue 02



Slate 03



Wheat 21



Burgundy 29



Candy Apple Red 28



Chestnut 34



Concord 16



Crocus 19



Dove Gray 37



Emerald 27



Grotto 25



Gun Metal 39



Imperial Blue 33



Jade 26



Navy 32



Northwoods Green 05



Paprika 35



Plum 30



Putty 38



Space Blue 06



Suede 08



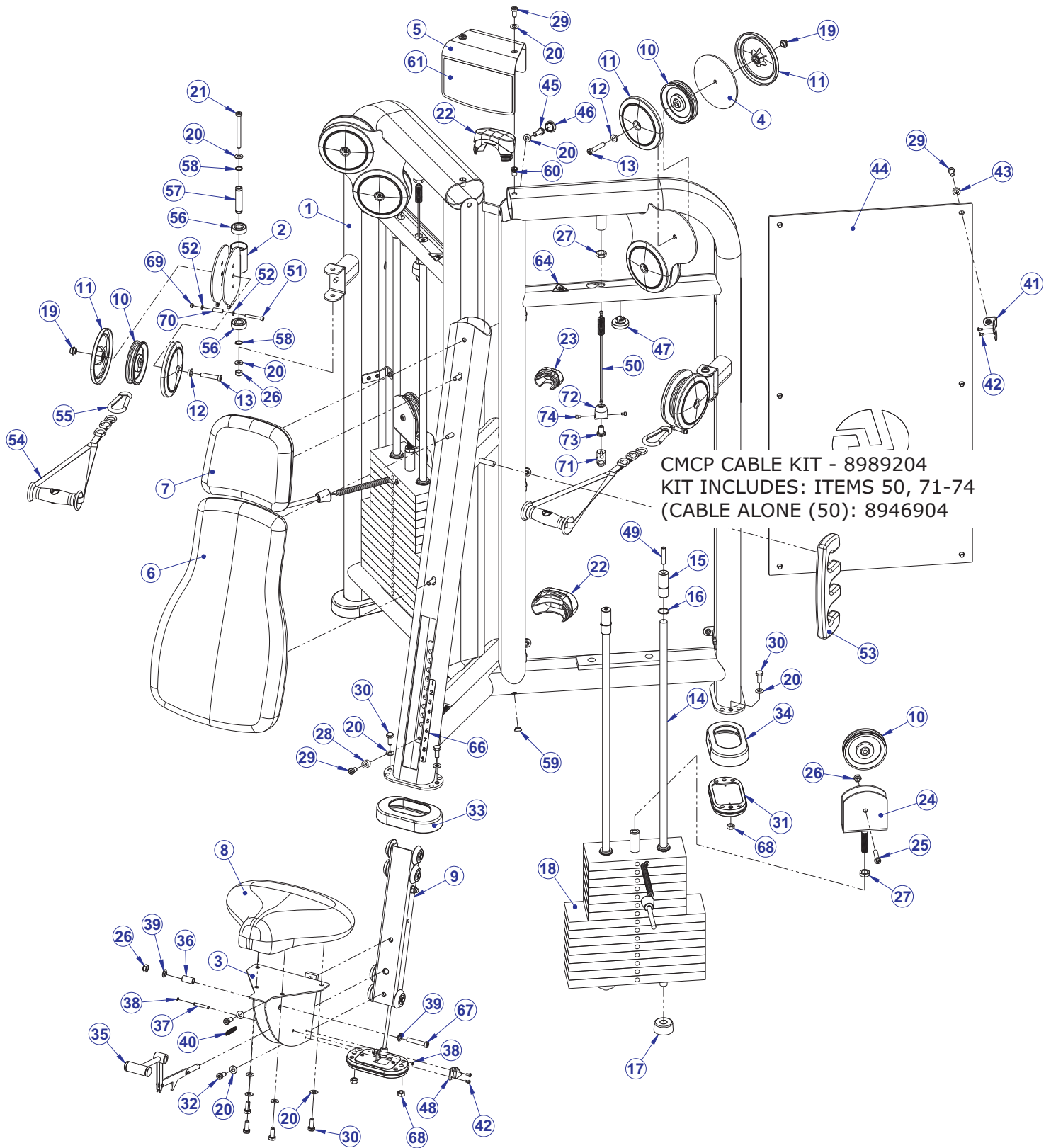
Terra Cotta 36



Turquoise 17

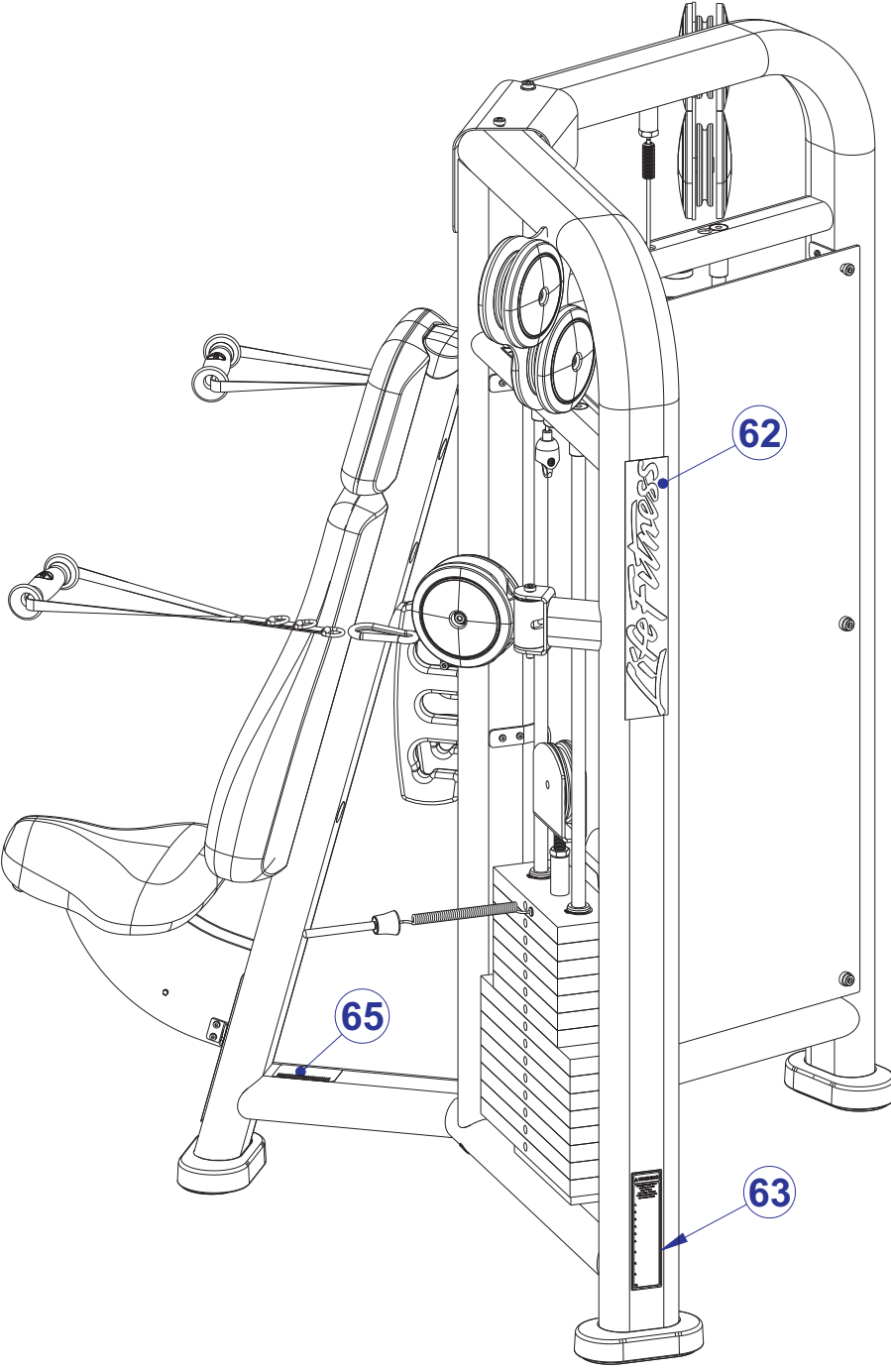
Note: Replace XX with above color suffix when ordering pads (ie. 74123XX = 7412301 Black)
Use 99 suffix for custom upholstery.

CMCP CHEST PRESS COMPONENT ASSEMBLY



SEE PAGE 6 FOR LEGEND

CMCP CHEST PRESS COMPONENT ASSEMBLY CONTINUED

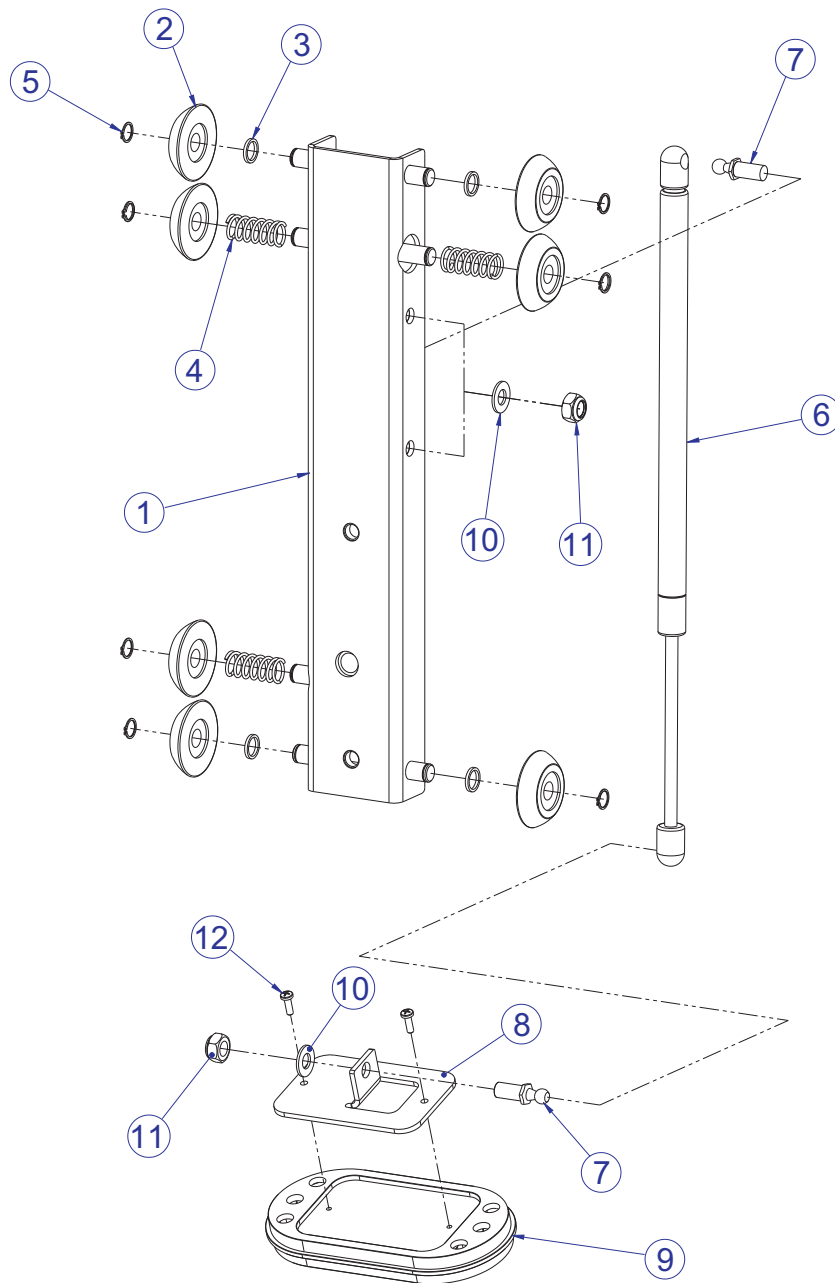


SEE PAGE 6 FOR LEGEND

CMCP CHEST PRESS COMPONENT ASSEMBLY LEGEND

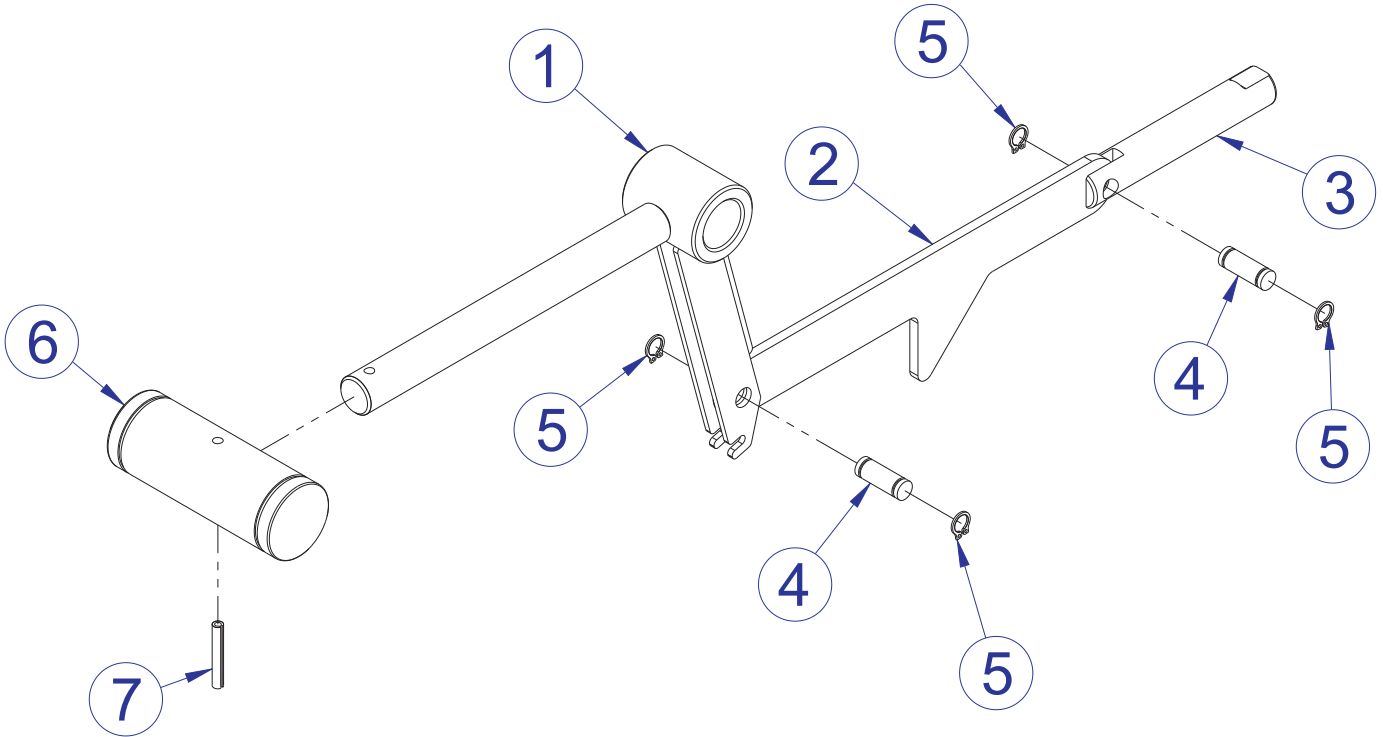
ITEM NO.	QTY.	PART NO.	DESCRIPTION	FRAME COLOR
1	1	7690301	WLDMT, CMCP FRAME	ANY
2	2	7691401	WLDMT, CM SWIVEL PULLEY W/SLOT	ANY
3	1	7330501	WLDMT, FZ SEAT SUPPORT	ANY
4	4	7301101	PLATE, PULLEY	ANY
5	1	7691101	BRKT, CMCP/SP PLACARD	ANY
6	1	74741XX	PAD, LARGE BACK	-
7	1	74743XX	PAD, HEAD REST	-
8	1	72971XX	PAD, SEAT SADDLE	-
9	1	7911101	ASSY, SEAT CARRIAGE	ANY
10	8	3237801	PULLEY, 4.5" OD	-
11	12	7629901	COVER, PULLEY- BOLTED FULL	-
12	6	7630101	RETAINER, CM/MJ, PULLEY	-
13	6	3236207	SCREW, M10 X1.5 50MM	-
14	4	7328604	GUIDE ROD, .75 OD SOLID 43.88	-
15	4	7634401	RETAINER, CM/MJ, GUIDEROD	-
16	4	3232421	RING, BRE .940, 5100-100 ST PP B	-
17	4	7352101	CUSHION, WEIGHT STACK	-
18	2	7647501	ASSY, 190LB STACK	-
19	6	7335401	NUT, M10 X 1.5 SOCKET HEAD	-
20	22	3236601	WASHER, 3/8 SAE SS	-
21	2	3236217	SCREW, M10 X1.5 100MM	-
22	2	7333901	CAP, LARGE FLOV- END	-
23	1	7333801	CAP, SMALL FLOV- END	-
24	2	7642295	WLDMT, CM/MJ STK PULLEY SG	SG
25	2	3236206	SCREW, M10 X1.5 45MM	-
26	5	3236801	NUT, M10 HEX NYLOCK SS	-
27	4	3236902	NUT, HEX JAM M16 X 2 SS	-
28	1	7385203	SPACER, .406 X .750 X .500	-
29	15	3236201	SCREW, M10 X1.5 20MM	-
30	10	3251202	SCREW, M10 X1.5 X 25MM UNS HEX CS ST ZN	-
31	2	7334001	FOOT, 2.50 X 4.49 FLOV	-
32	2	3236202	SCREW, M10 X1.5 25MM	-
33	1	7419701	COVER, FOOT 10 DEG	-
34	2	7340201	COVER, FOOT - STRAIGHT	-
35	1	7778001	ASSY, FZ ADJUSTER HANDLE -GRAY HANDLE	ANY
		7778003	ASSY, FZ ADJUSTER HANDLE -YELLOW HANDLE	
36	1	7776501	SHAFT, .625 X .406 X 1.200	-
37	1	7407502	PIN, LINK	-
38	2	3232401	RING, RETAINING, EXTERNAL	-
39	2	7776401	SPACER, FLANGE .406 X .495 X .81	-
40	1	3239201	SPRING, EXT, .375 X .049 X 2.00	-
41	12	7642095	BRKT, CM/MJ, REAR SHROUD SG	SG
42	26	3270601	SCREW, #10-32 TRX PAN ST BZ	-
43	12	7385201	SPACER, .406 X .750 X .250	-
44	2	8353301	SHROUD, CM REAR	-
45	4	3251204	SCREW, M10 X1.5 X 35MM UNS HEX CS ST ZN	-
46	4	3237403	PLUG, 1" HOLE	-
47	2	7642301	BUMPER, CM/MJ, PLUG	-
48	1	7425295	BRKT, SEAT INDICATOR	-
49	4	3240502	M10 X 1.5 X 50 HXS NO CUP ST BO	-
50	2	8989204	KIT, CMCP, CABLE (INCLUDES CABLE AND ENDS)	-
51	2	3241706	SCREW, M6 X1 45MM	-
52	4	3241801	WASHER, FLAT 6MM SS	-
53	2	7711501	WEIGHT, 5 LB. ADD-ON	-
54	2	8219501	HANDLE, CMCP ADJ. STRAP	-
55	2	3250201	SNAP LINK, 3/8" DIA	-
56	4	3245901	BEARING, 6203	-
57	2	7645401	SHAFT, CM/MJ, 6203 BRNG	-
58	4	3232413	RING, BRE .631, 5100-66, ST PP B	-
59	4	7646801	PLUG, CURVED HOLE	-
60	2	3238601	M10X1.5 BLIND THREADED INSERT (HEX)	-
		7781601	LABEL, PLACARD CMCP-ENGLISH	
		7781602	LABEL, PLACARD CMCP-GERMAN	
		7781603	LABEL, PLACARD CMCP-FRENCH	
		7781604	LABEL, PLACARD CMCP-SPANISH	
		7781605	LABEL, PLACARD CMCP-ITALIAN	
		7781606	LABEL, PLACARD CMCP-DUTCH	
		7781607	LABEL, PLACARD CMCP-JAPANESE	
		7781608	LABEL, PLACARD CMCP-PORUGUESE	
61	1			-
62	2	7348001	LABEL, LIFE FITNESS LOGO	-
63	1	82200XX	LABEL, ASTM WARNING SELECT	-
64	2	8039501	LABEL, WARNING,TRIANGLE	-
65	1	7571301	LABEL, SERIAL NUMBER, BLANK	-
66	1	7524501	LABEL, 1-9 STRAIGHT	-
67	1	3236208	SCREW, M10 X1.5 55MM	-
68	6	3254703	NUT, M10 X 1.5 HEX ZINC	-
69	2	3236802	NUT, M6 HEX NYLOCK SS	-
70	2	8002401	SPACER, CM/MJ PULLEY	-
71	2	8943601	LINK, CM/MJ, CABLE END	-
72	2	8943701	HSNG, CM/MJ, CABLE END	-
73	2	8943801	INSERT, CM/MJ, CABLE END	-
74	4	3250002	M5 X 0.8 HXS SOC CS ST BZ X 8	-

CMCP CHEST PRESS FZ SEAT CARRIAGE ASSEMBLY - 7911101



ITEM NO.	QTY.	PART NO.	DESCRIPTION	FRAME COLOR
1	1	7911295	WLDMT, SEAT CARRIAGE SHDW GRAY	SG
2	7	7889701	ROLLER, SEAT CARRIAGE	-
3	4	7911901	SPACER, .625 DIA X 16 GA.	-
4	3	7912001	SPRING, SEAT CARRIAGE	-
5	7	3232408	RING, BRE .443, 5100-46, ST,PP,B	-
6	1	3235703	SPRING, GAS 80N	-
7	2	7414301	STUD, M10 BALL END M10 X 1.5	-
8	1	7339401	BRACKET, GAS SPRING	-
9	1	7334001	FOOT, 2.50 X 4.49 FLOV	-
10	2	3236601	WASHER, 3/8 SAE SS	-
11	2	3236801	NUT, M10 HEX NYLOCK SS	-
12	2	3241201	M4 PHL PAN F ST ZN	-

CMCP CHEST PRESS ADJUSTER HANDLE ASSEMBLY - 77780XX



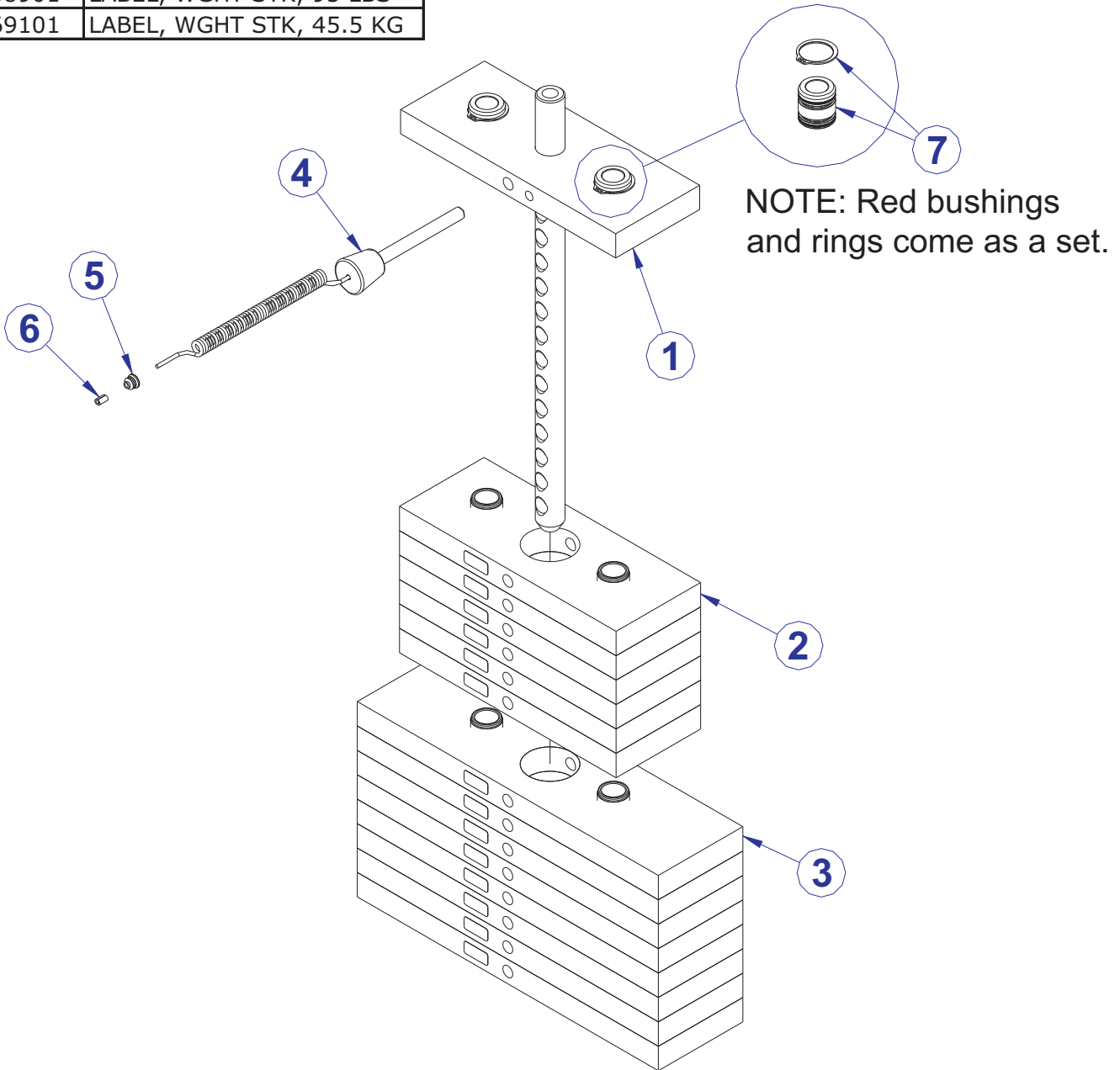
ITEM NO.	QTY.	PART NO.	DESCRIPTION	FRAME COLOR
1	1	7777595	WLDMT, FZ SEAT ADJ HANDLE SHADOW GRAY	SG
2	1	7331801	LINK, ADJUSTER	-
3	1	7331601	PIN, INDEX	-
4	2	7407501	PIN, LINK	-
5	4	3232401	RING, RETAINING, EXTERNAL	-
6	1	7287901	HANDLE, ADJUSTER, SHADOW GRAY	-
		7287903	HANDLE, ADJUSTER, YELLOW	
7	1	3110010	ROLL PIN, 1/8 X 7/8	-

CMCP CHEST PRESS

190 LB. WEIGHT STACK ASSEMBLY - 7647501

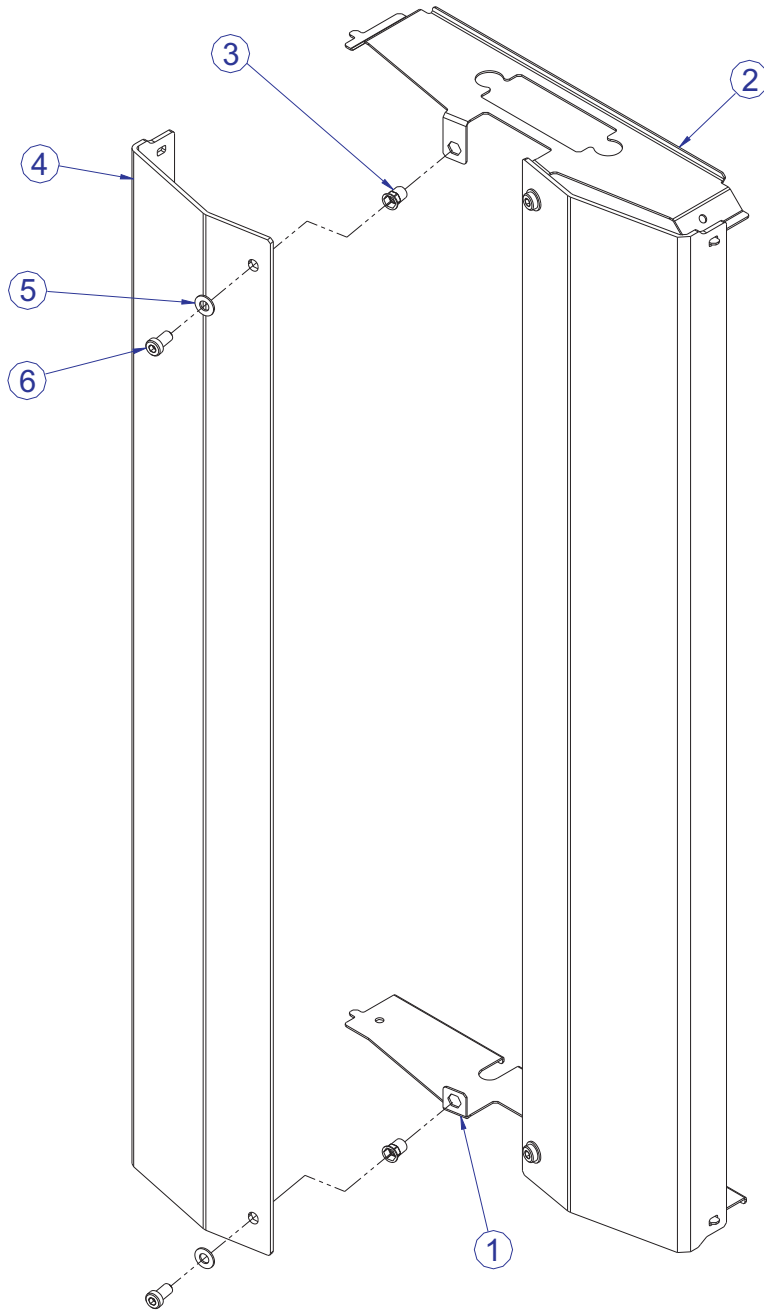
WEIGHT PLATE LABELS

PART NO.	DESCRIPTION
8068901	LABEL, WGHT STK, 95 LBS
8069101	LABEL, WGHT STK, 45.5 KG



ITEM NO.	QTY.	PART NO.	DESCRIPTION
1	1	8920101	14 HOLE HEAD PLATE/BAYONET SER. KIT ASSY
2	6	7353701	ASSY, 10 LB PLATE
3	8	7353801	ASSY, 15 LB PLATE
4	1	7353001	ASSY, SELECTOR PIN
		8981903	ASSY, WT STACK SELECTOR PIN, SRT - YELLOW
5	1	7356501	PLUG, LANYARD ATTACHMENT
6	1	7523601	CRIMP, CABLE
7	2	7338001	BUSHING, HEADPLATE

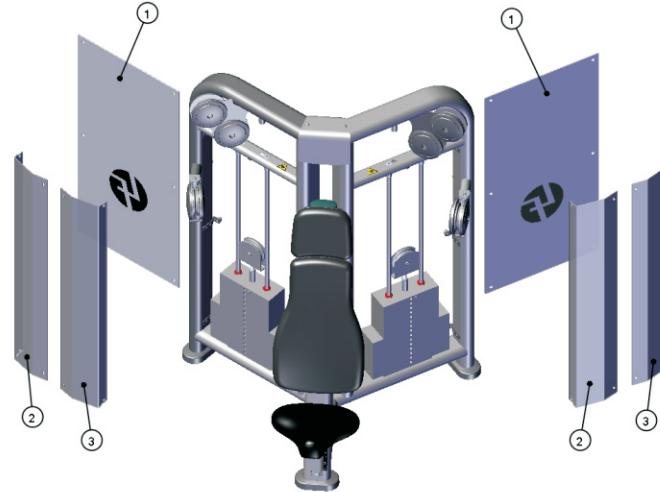
CMCP CHEST PRESS OPTIONAL FRONT SHROUD KIT - 7782101



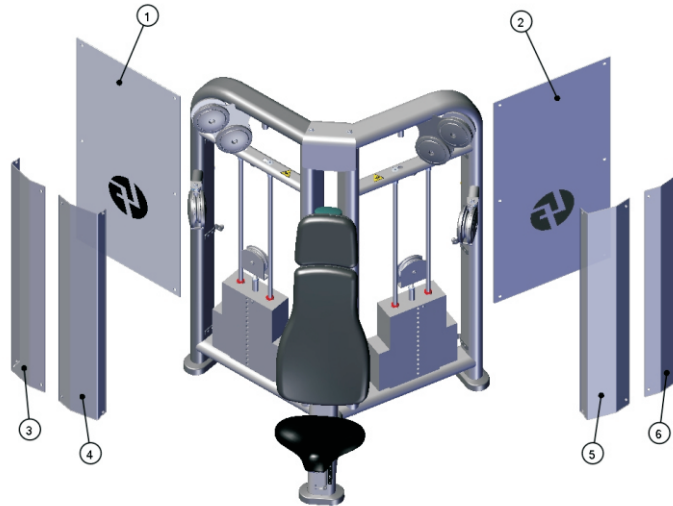
ITEM NO.	QTY.	PART NO.	DESCRIPTION	FRAME COLOR
1	1	7773395	BRKT, SHIELD, CM BOTTOM SG	SG
2	1	7773495	BRKT, SHIELD, CM TOP SG	SG
3	4	3238601	M10X1.5 BLIND THREADED INSERT (HEX)	-
4	2	7773201	SHIELD, CM FRONT 44.45"	-
5	4	3236601	WASHER, 3/8 SAE SS	-
6	4	3236201	SCREW, M10 X1.5 20MM	-

CMCP CHEST PRESS

OPTIONAL SHROUD STACKWRAPS (SHROUD + WRAP)



	ITEM NO.	QTY.	PART NO.	DESCRIPTION
BAMBOO	1	2	8961001	SHROUD, CM, REAR, SHORT -BAMBOO
	2	2	8961201	SHROUD, CM, FNT, SHORT, LT -BAMBOO
	3	2	8961101	SHROUD, CM, FNT, SHORT, RT -BAMBOO
BRONZE	1	2	8961601	SHROUD, CM, REAR, SHORT -BRONZE
	2	2	8961801	SHROUD, CM, FNT, SHORT, LT -BRONZE
	3	2	8961701	SHROUD, CM, FNT, SHORT, RT -BRONZE
ROSEWOOD	1	2	8962201	SHROUD, CM, REAR, SHORT -ROSEWOOD
	2	2	8962401	SHROUD, CM, FNT, SHORT, LT -ROSEWOOD
	3	2	8962301	SHROUD, CM, FNT, SHORT, RT -ROSEWOOD
STAINLESS STEEL	1	2	8962501	SHROUD, CM, REAR, SHORT -STAINLESS STEEL
	2	2	8962701	SHROUD, CM, FNT, SHORT, LT -STAINLESS STEEL
	3	2	8962601	SHROUD, CM, FNT, SHORT, RT -STAINLESS STEEL



	ITEM NO.	QTY.	PART NO.	DESCRIPTION
SKY	1	1	8961301	SHROUD, CM, LT TOWER, REAR, SRT -SKY
	2	1	8961303	SHROUD, CM, RT TOWER, REAR, SRT -SKY
	3	1	8961503	SHROUD, CM, LT TOWER, FNT, LT, SRT -SKY
	4	1	8961403	SHROUD, CM, LT TOWER, FNT, RT, SRT -SKY
	5	1	8961501	SHROUD, CM, RT TOWER, FNT, LT, SRT -SKY
	6	1	8961401	SHROUD, CM, RT TOWER, FNT, RT, SRT -SKY
STEM	1	1	8961903	SHROUD, CM, LT TOWER, REAR, SRT -STEM
	2	1	8961901	SHROUD, CM, RT TOWER, REAR, SRT -STEM
	3	1	8962101	SHROUD, CM, LT TOWER, FNT, LT, SRT -STEM
	4	1	8962001	SHROUD, CM, LT TOWER, FNT, RT, SRT -STEM
	5	1	8962103	SHROUD, CM, RT TOWER, FNT, LT, SRT -STEM
	6	1	8962003	SHROUD, CM, RT TOWER, FNT, RT, SRT -STEM

CMCP CHEST PRESS IMAGE

