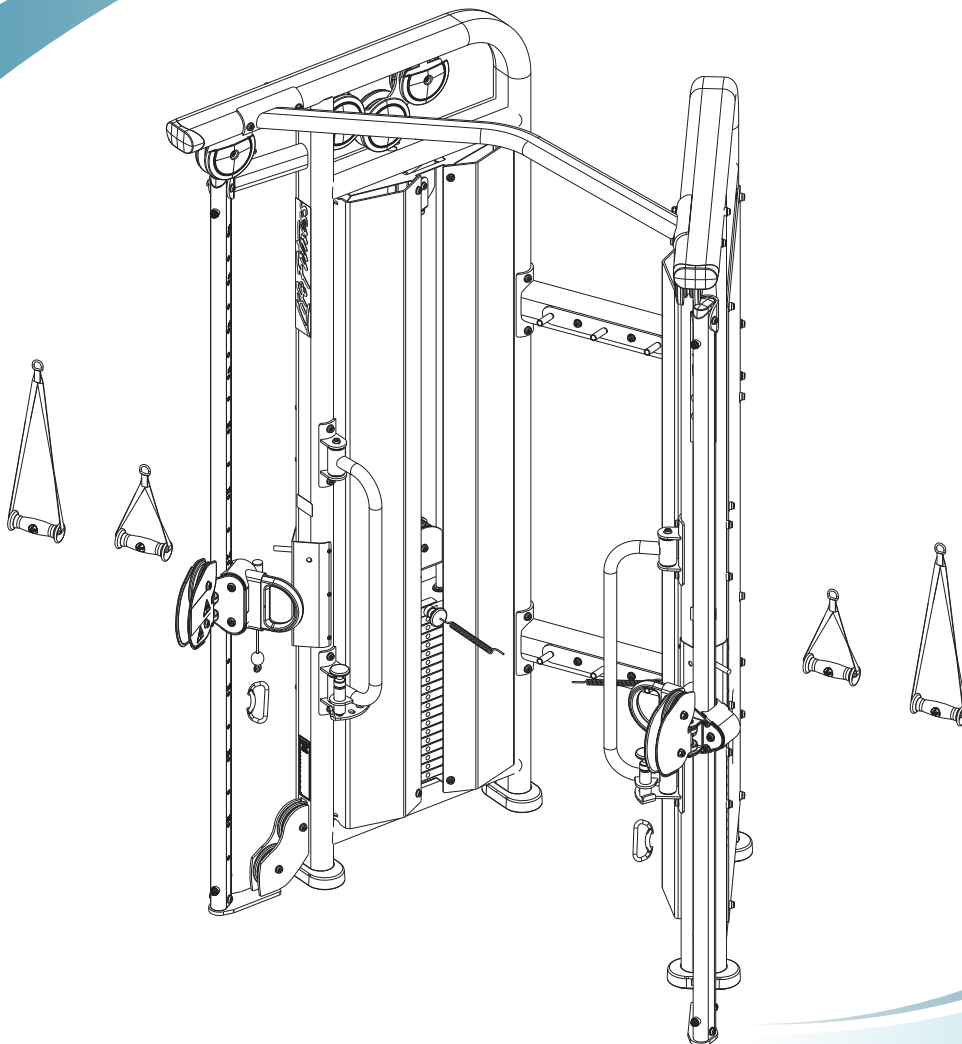


# Signature Series Cable Motion IFI CMDAP Dual Adjustable Pulley

CUSTOMER SUPPORT SERVICES  
Parts List



All Service Parts must be drop shipped from Hungary.

THIS PARTS LIST IDENTIFIES PARTS UNIQUE TO THE IFI COMPLIANT CMDAP MACHINE. USE THE CMDAP PARTS LIST FOR ALL OTHER INQUIRIES.

*LifeFitness*  
WHAT WE LIVE FOR

# IFI CMDAP DUAL ADJUSTABLE PULLEY CONTENTS

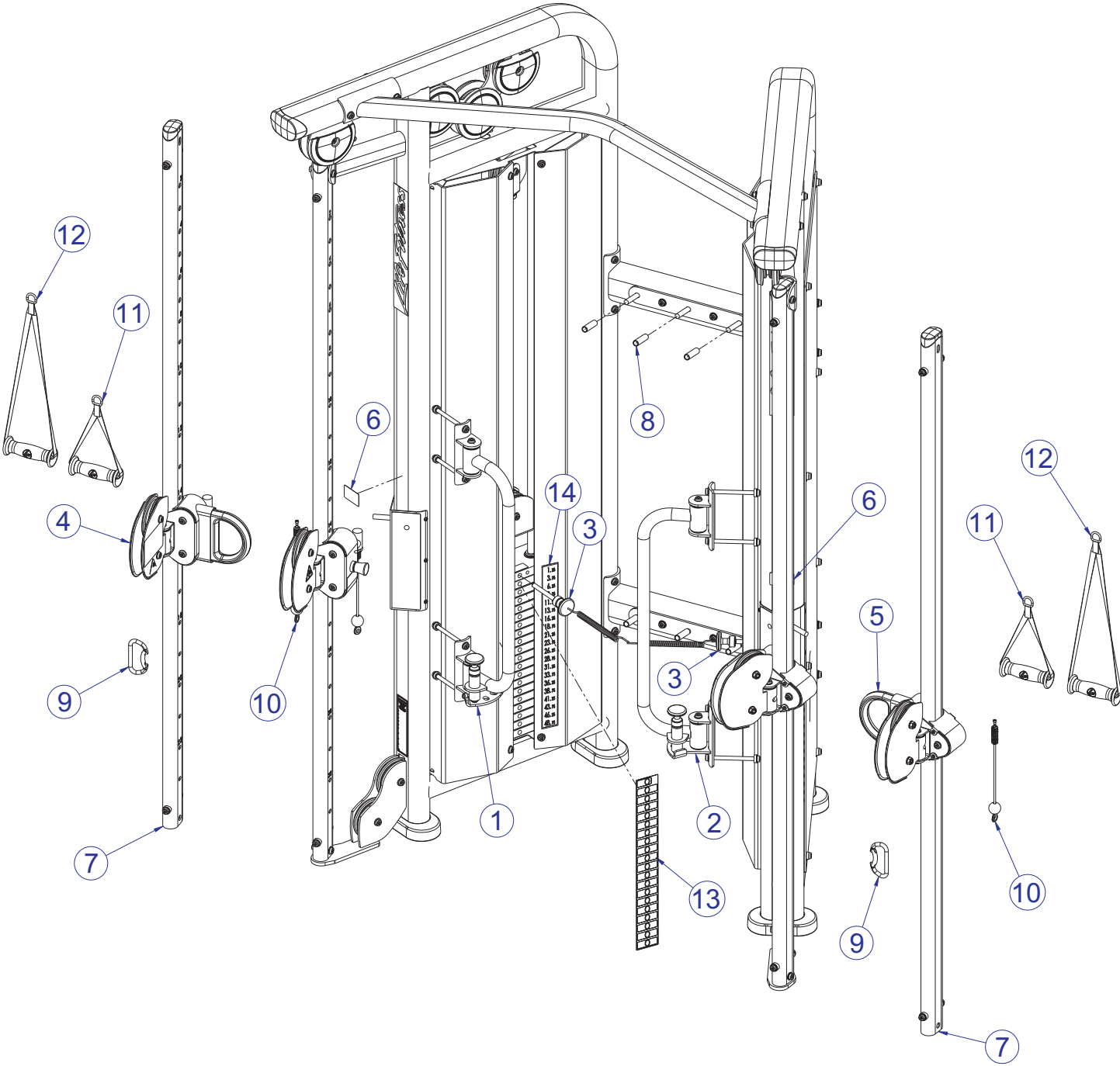
---

All Service Parts must be drop shipped from Hungary.

THIS PARTS LIST IDENTIFIES PARTS UNIQUE TO THE IFI COMPLIANT CMDAP  
MACHINE. USE THE CMDAP PARTS LIST FOR ALL OTHER INQUIRIES.

	PAGE
COMPONENT ASSEMBLY	3
COMPONENT ASSEMBLY LEGEND	4
RIGHT HAND HANDLE ASSEMBLY	5
LEFT HAND HANDLE ASSEMBLY	6
RIGHT HAND CARRIAGE ASSEMBLY	7
RIGHT HAND CARRIAGE ASSEMBLY LEGEND	8
ADJ. PULLEY COLUMN ASSEMBLY	9
LEFT HAND CARRIAGE ASSEMBLY	10
LEFT HAND CARRIAGE ASSEMBLY LEGEND	11
NO HANDLE BOOM ASSEMBLY	12
FRONT SHROUD KIT	13
IMAGE	14

# IFI CMDAP DUAL ADJUSTABLE PULLEY COMPONENT ASSEMBLY



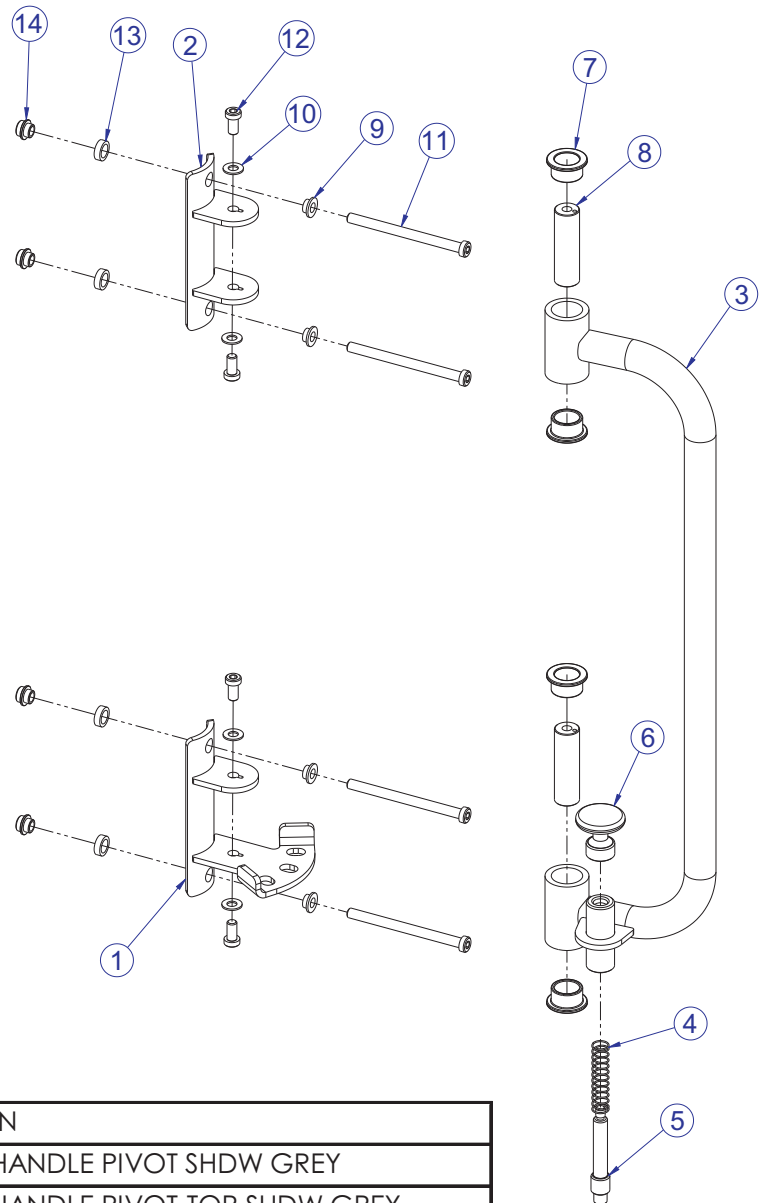
SEE PAGE 4 FOR LEGEND

# CMDAP DUAL ADJUSTABLE PULLEY COMPONENT ASSEMBLY LEGEND

---

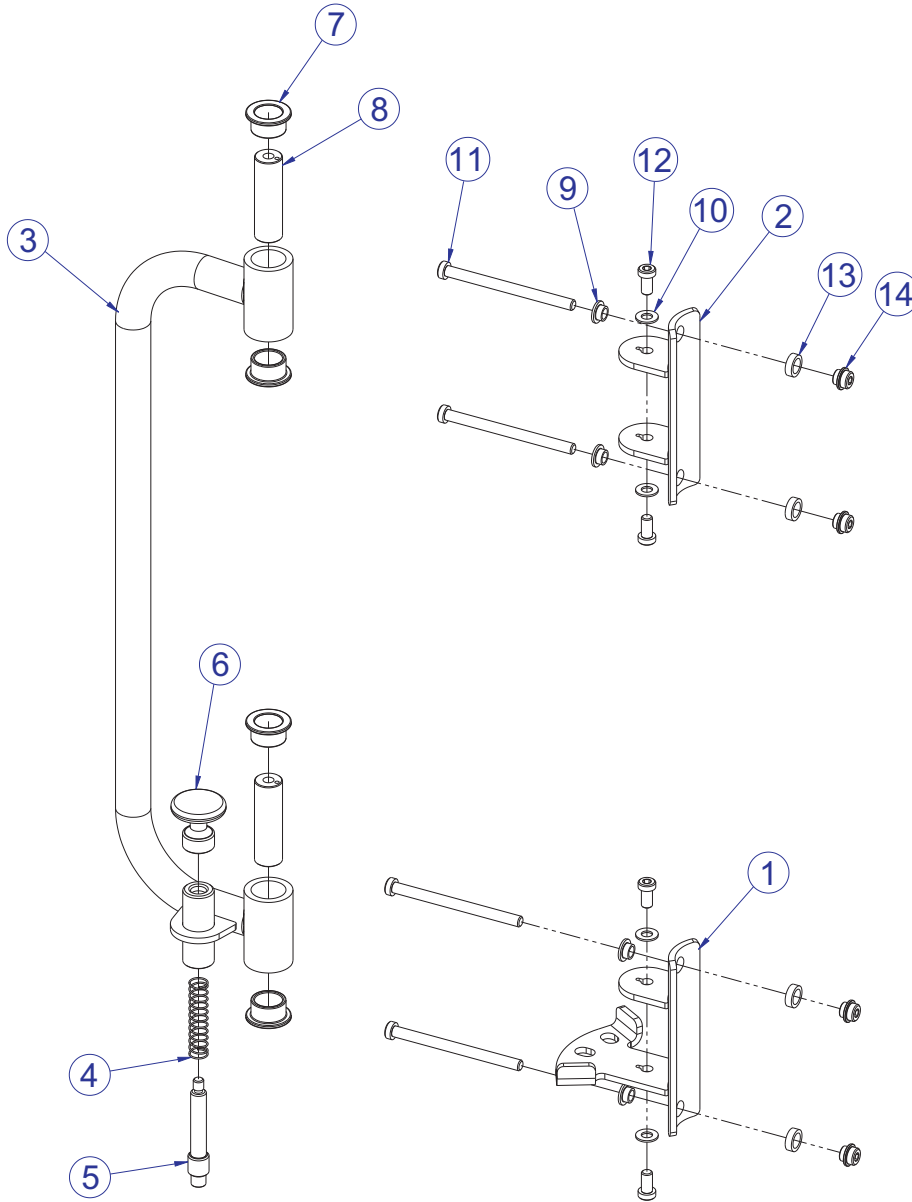
ITEM NO.	QTY.	PART NO.	DESCRIPTION
1	1	8389001	ASSY, IFI ADJ HANDLE - RH
2	1	8389101	ASSY, IFI ADJ HANDLE - LH
3	2	8389501	ASSY, IFI SELECTOR PIN
4	1	8390401	ASSY, IFI CMDAP CARRIAGE - RH
5	1	8390501	ASSY, IFI CMDAP CARRIAGE - LH
6	2	8391401	LABEL, IFI CARRIAGE POSITION
7	2	8610801	ASSY, IFI ADJ COLUMN
8	6	8563201	SLEEVE, IFI CMDAP .50 ID X 2.25
9	2	8609201	CARABINER, IFI BENT GATE
10	2	8609601	CABLE, IFI CMDAP
11	2	8609301	HANDLE, IFI CMDAP SHORT STRAP
12	2	8609401	HANDLE, IFI CMDAP LONG STRAP
13	2	8563001	LABEL, CMDAP IFI ST STACK GUARD
14	2	8563101	LABEL, CMDAP IFI WT STACK 48.75KG

# CMDAP DUAL ADJUSTABLE PULLEY RIGHT HAND HANDLE ASSEMBLY - 8389001



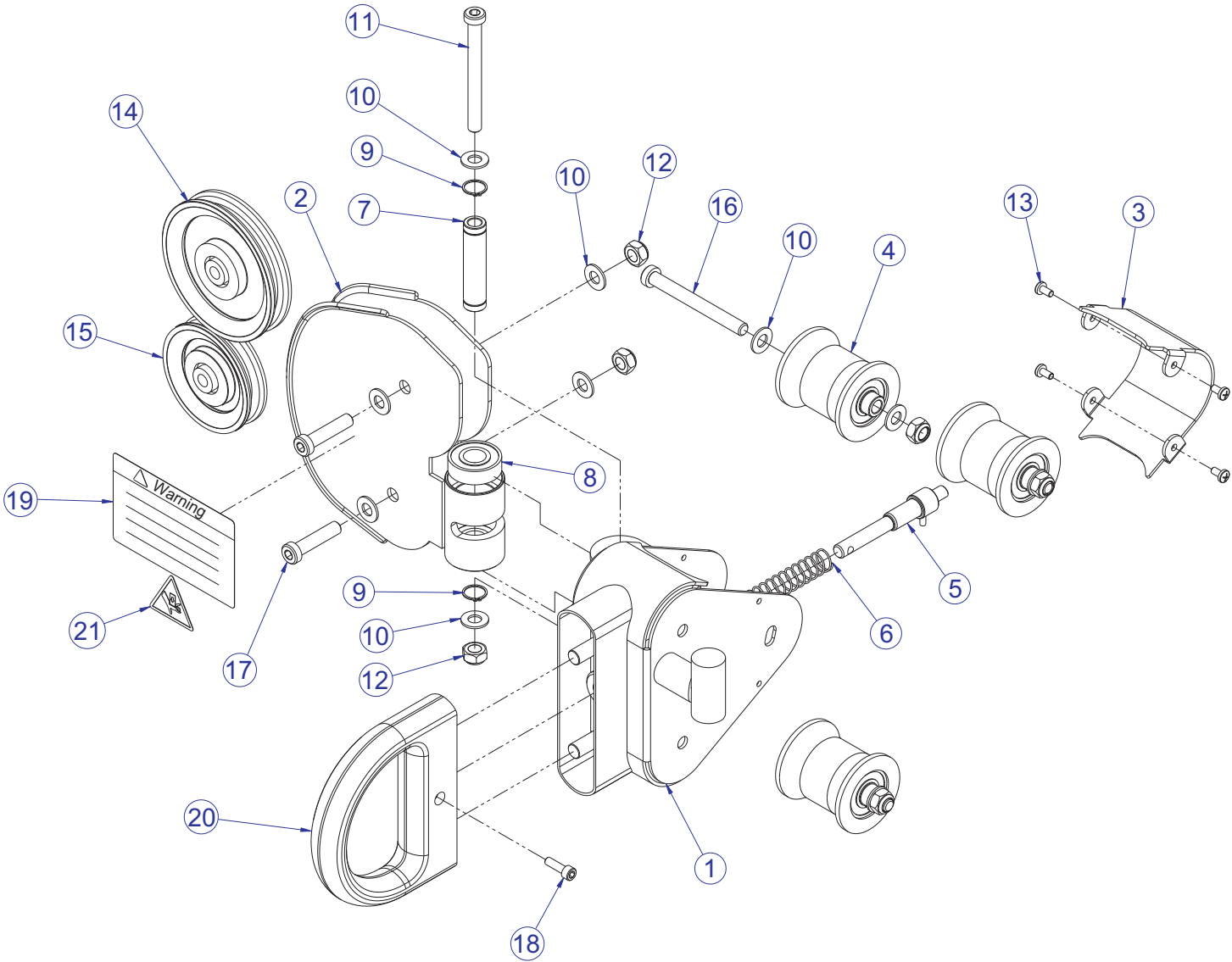
ITEM NO.	QTY.	PART NO.	DESCRIPTION
1	1	8389695	WLDMT, IFI HANDLE PIVOT SHDW GREY
2	1	8389795	WLDMT, IFI HANDLE PIVOT-TOP SHDW GREY
3	1	8389295	WLDMT, IFI STABILITY HANDLE-RH SHDW GREY
4	1	7351501	SPRING, PULL PIN LARGE
5	1	7351301	PIN, PULL X 4.375
6	1	8389401	KNOB, IFI PULL PIN
7	4	3104903	1.00" ID 1.25" OD BRONZ BUSHING
8	2	7324901	SHAFT, TAPPED 1 DIA X 3.330
9	4	7630101	RETAINER, CM/MJ, PULLEY
10	4	3236601	WASHER, 3/8 SAE SS
11	4	3236220	SCREW, M10 X1.5 130MM
12	4	3236201	SCREW, M10 X1.5 20MM
13	4	7634701	SPACER, CM/MJ, .565 X .815
14	4	7335401	NUT, M10 X 1.5 SOCKET HEAD

# CMDAP DUAL ADJUSTABLE PULLEY LEFT HAND HANDLE ASSEMBLY - 8389101



ITEM NO.	QTY.	PART NO.	DESCRIPTION
1	1	8389695	WLDMT, IFI HANDLE PIVOT SHDW GREY
2	1	8389795	WLDMT, IFI HANDLE PIVOT-TOP SHDW GREY
3	1	8389395	WLDMT, IFI STABILITY HANDLE-LH SHDW GREY
4	1	7351501	SPRING, PULL PIN LARGE
5	1	7351301	PIN, PULL X 4.375
6	1	8389401	KNOB, IFI PULL PIN
7	4	3104903	1.00" ID 1.25" OD BRONZ BUSHING
8	2	7324901	SHAFT, TAPPED 1 DIA X 3.330
9	4	7630101	RETAINER, CM/MJ, PULLEY
10	4	3236601	WASHER, 3/8 SAE SS
11	4	3236220	SCREW, M10 X1.5 130MM
12	4	3236201	SCREW, M10 X1.5 20MM
13	4	7634701	SPACER, CM/MJ, .565 X .815
14	4	7335401	NUT, M10 X 1.5 SOCKET HEAD

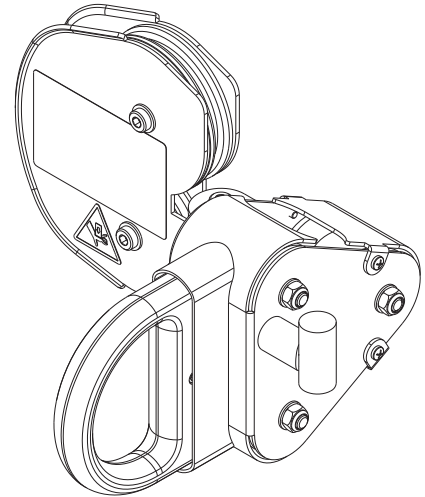
# IFI CMDAP DUAL ADJUSTABLE PULLEY RIGHT HAND CARRIAGE ASSEMBLY - 8390401



SEE PAGE 8 FOR LEGEND

# IFI CMDAP DUAL ADJUSTABLE PULLEY RIGHT HAND CARRIAGE ASSEMBLY LEGEND

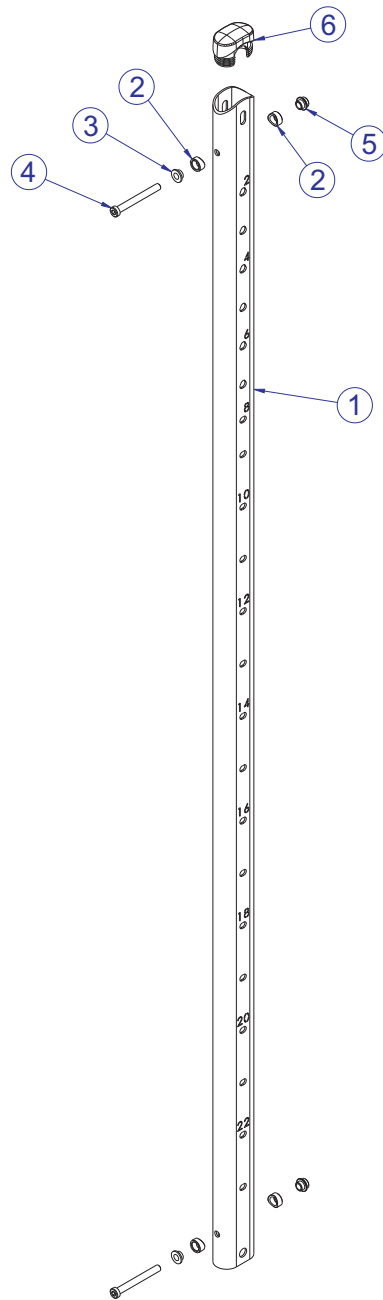
---



ITEM NO.	QTY.	PART NO.	DESCRIPTION
1	1	8390601	WLDMT, IFI CMDAP CARRIAGE - RH
2	1	7633301	WLDMT, CM/MJ, SWIVEL PULLEY
3	1	7631801	BRKT, CM/MJ, CARRIAGE SHROUD
4	3	7637901	ASSY, ROLLER-CONCAVE
5	1	8390801	ASSY, IFI CMDAP PULL PIN
6	1	7351501	SPRING, PULL PIN LARGE
7	1	7645401	SHAFT, CM/MJ, 6203 BRNG
8	2	3245901	BEARING, 6203
9	2	3232413	RING, BRE .631, 5100-66, ST PP B
10	12	3236601	WASHER, 3/8 SAE SS
11	1	3236217	SCREW, M10 X1.5 100MM
12	6	3236801	NUT, M10 HEX NYLOCK SS
13	4	3239101	SCREW, M5X10 PHL PAN TT ST
14	1	3237801	PULLEY, 4.5" OD
15	1	3245701	PULLEY, 3.5" OD, 10MM ID SG
16	3	3236216	SCREW, M10 X1.5 95MM
17	2	3236206	SCREW, M10 X1.5 45MM
18	1	3241701	SCREW, M6 X1 20MM
19	1	8390301	LABEL, IFI CARRIAGE WARNING
20	1	8390901	HANDLE, IFI CMDAP CARRIAGE
21	1	8039501	LABEL, WARNING, TRIANGLE



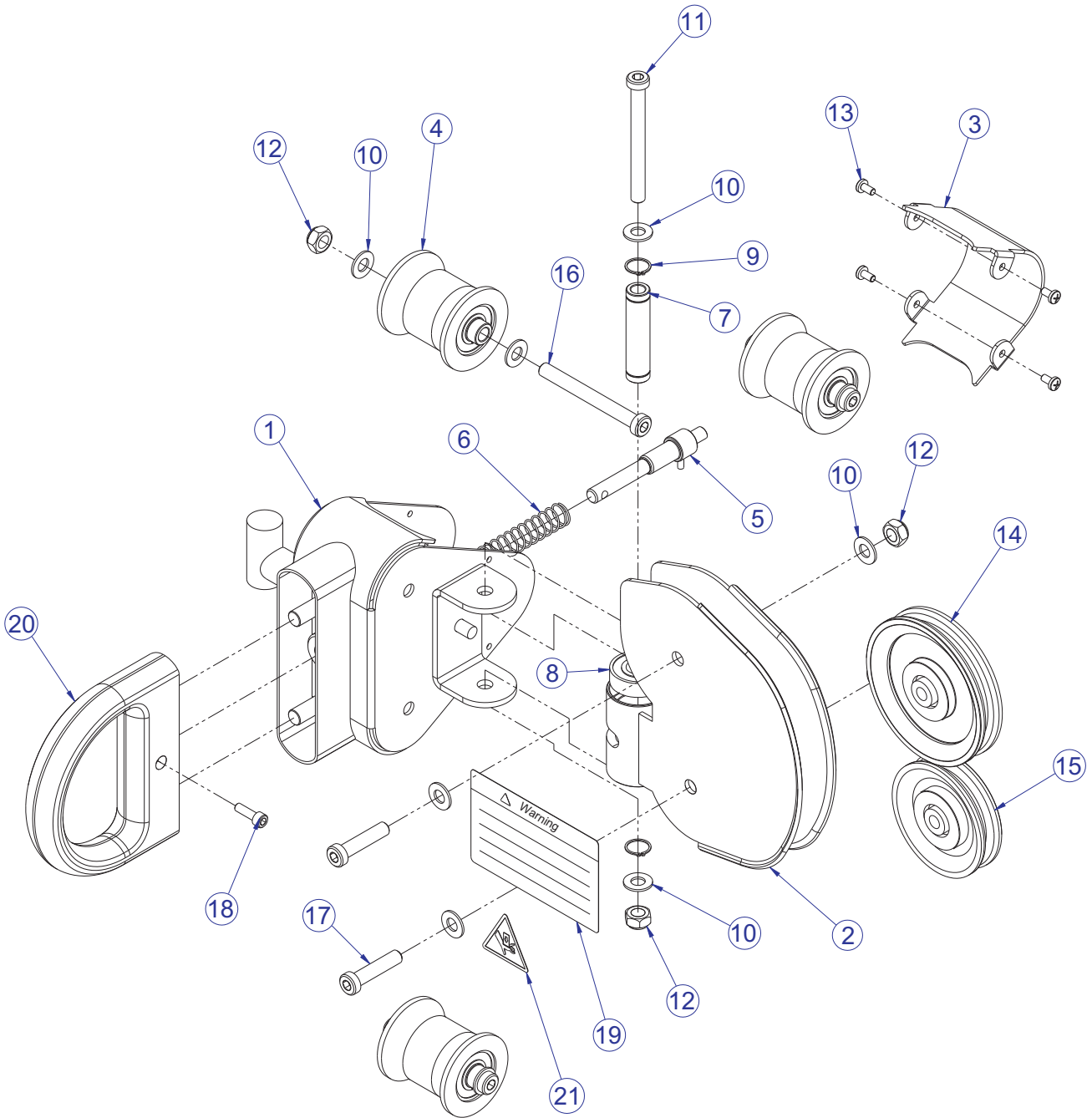
# IFI CMDAP DUAL ADJUSTABLE PULLEY ADJ. PULLEY COLUMN ASSEMBLY - 8610801



ITEM NO.	QTY.	PART NO.	DESCRIPTION
1	1	8504401	TUBE, IFI CMDAP ADJ COLUMN
2	4	7645501	SPACER, CM/MJ, SM FLOV CONCAVE
3	2	7630101	RETAINER, CM/MJ, PULLEY
4	2	3236215	SCREW, M10 X1.5 90MM
5	2	7335401	NUT, M10 X 1.5 SOCKET HEAD
6	1	7333801	CAP, SMALL FLOV- END

# IFI CMDAP DUAL ADJUSTABLE PULLEY LEFT HAND CARRIAGE ASSEMBLY - 8390501

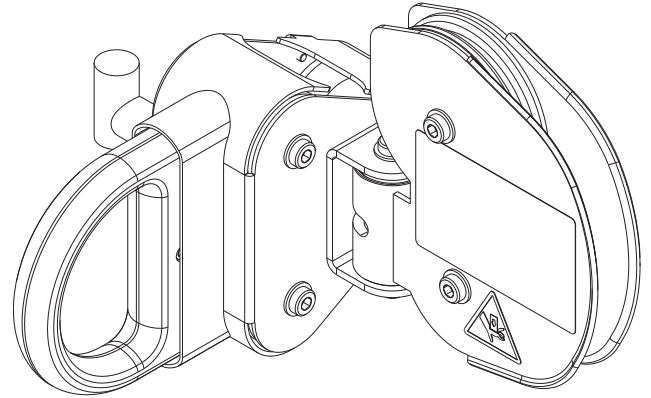
---



**SEE PAGE 15 FOR LEGEND**

# IFI CMDAP DUAL ADJUSTABLE PULLEY LEFT HAND CARRIAGE ASSEMBLY LEGEND

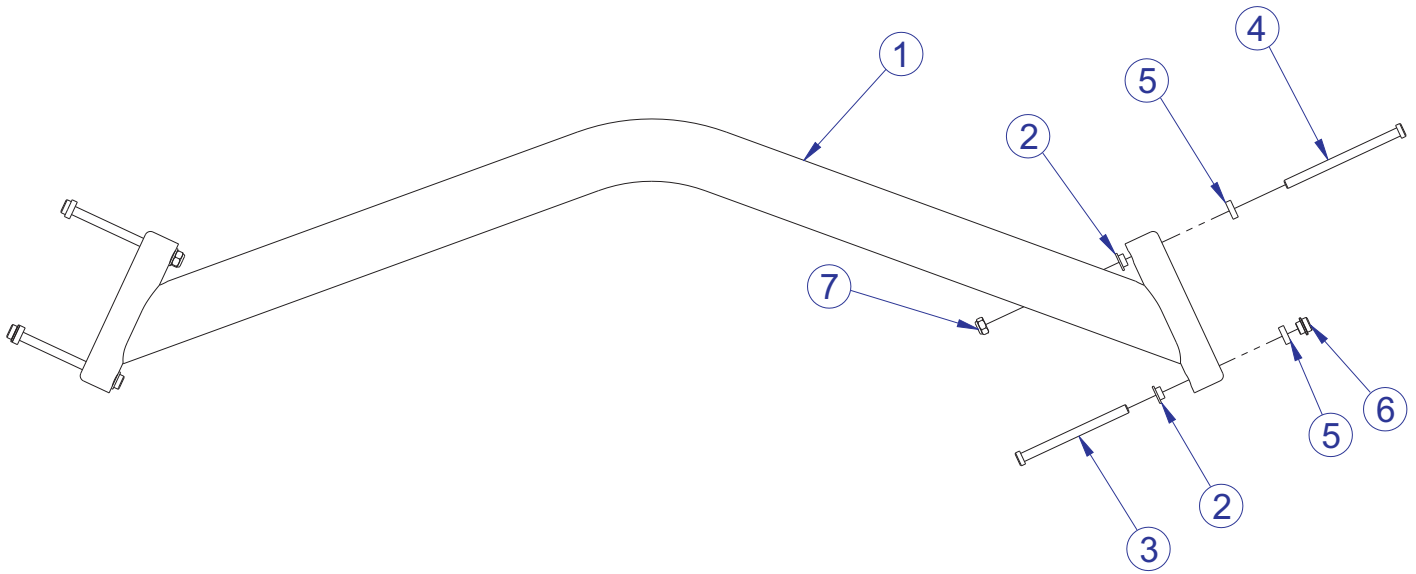
---



ITEM NO.	QTY.	PART NO.	DESCRIPTION
1	1	8390701	WLDMT, IFI CMDAP CARRIAGE - LH
2	1	7633301	WLDMT, CM/MJ, SWIVEL PULLEY
3	1	7631801	BRKT, CM/MJ, CARRIAGE SHROUD
4	3	7637901	ASSY, ROLLER-CONCAVE
5	1	8390801	ASSY, IFI CMDAP PULL PIN
6	1	7351501	SPRING, PULL PIN LARGE
7	1	7645401	SHAFT, CM/MJ, 6203 BRNG
8	2	3245901	BEARING, 6203
9	2	3232413	RING, BRE .631, 5100-66, ST PP B
10	12	3236601	WASHER, 3/8 SAE SS
11	1	3236217	SCREW, M10 X1.5 100MM
12	6	3236801	NUT, M10 HEX NYLOCK SS
13	4	3239101	SCREW, M5X10 PHL PAN TT ST
14	1	3237801	PULLEY, 4.5" OD
15	1	3245701	PULLEY, 3.5" OD, 10MM ID SG
16	3	3236216	SCREW, M10 X1.5 95MM
17	2	3236206	SCREW, M10 X1.5 45MM
18	1	3241701	SCREW, M6 X1 20MM
19	1	8390301	LABEL, IFI CARRIAGE WARNING
20	1	8390901	HANDLE, IFI CMDAP CARRIAGE
21	1	8039501	LABEL, WARNING, TRIANGLE

# IFI CMDAP DUAL ADJUSTABLE PULLEY NO HANDLE BOOM ASSEMBLY - 8539101

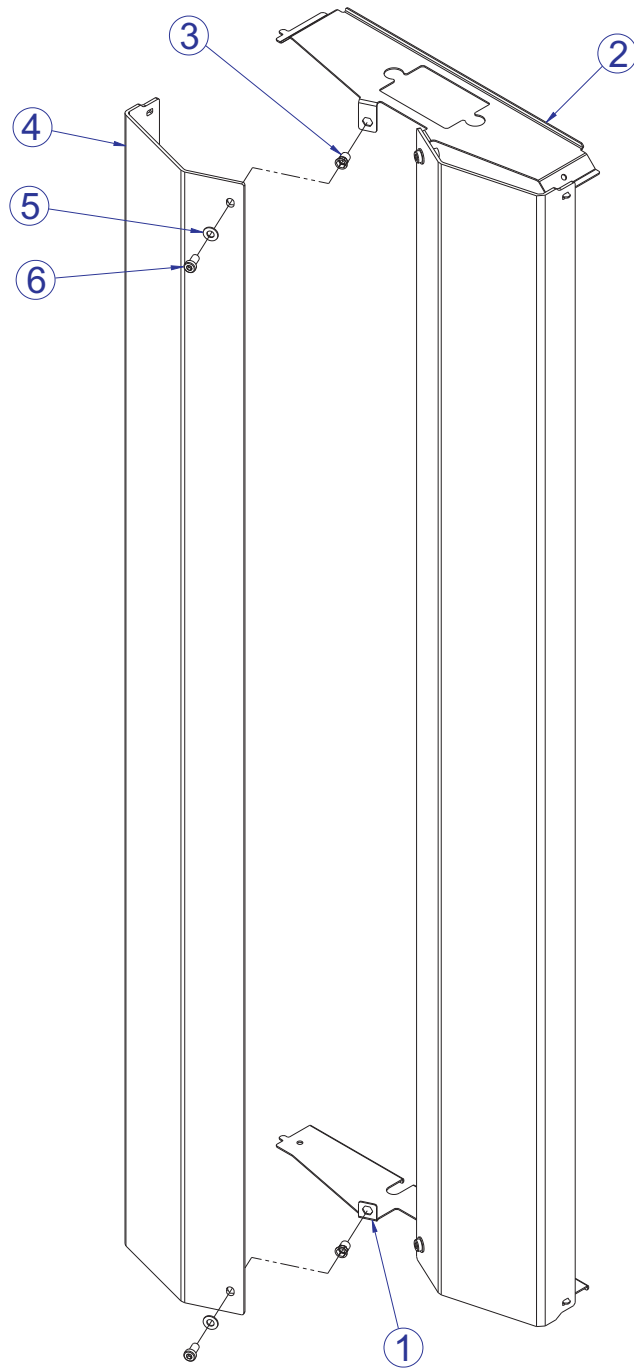
---



ITEM NO.	QTY.	PART NO.	DESCRIPTION
1	1	8539001	WLDMT, CMDAP BOOM - NOHANDLES
2	4	7630101	RETAINER, CM/MJ, PULLEY
3	2	3236220	SCREW, M10 X1.5 130MM
4	2	3236221	SCREW, M10 X1.5 140MM
5	4	7634701	SPACER, CM/MJ, .565 X .815
6	2	7335401	NUT, M10 X 1.5 SOCKET HEAD
7	2	3236801	NUT, M10 HEX NYLOCK SS

# IFI CMDAP DUAL ADJUSTABLE PULLEY FRONT SHROUD KIT - 7766701

---



ITEM NO.	QTY.	PART NO.	DESCRIPTION
1	1	7763695	BRKT, SHROUD, CM/MJ BOTTOM SG
2	1	7763795	BRKT, SHROUD, CMDAP TOP SG
3	4	3238601	M10X1.5 BLIND THREADED INSERT (HEX)
4	2	7634001	SHROUD, CM/MJ FRONT
5	4	3236601	WASHER, 3/8 SAE SS
6	4	3236201	SCREW, M10 X1.5 20MM

# IFI CMDAP DUAL ADJUSTABLE PULLEY IMAGE

---

