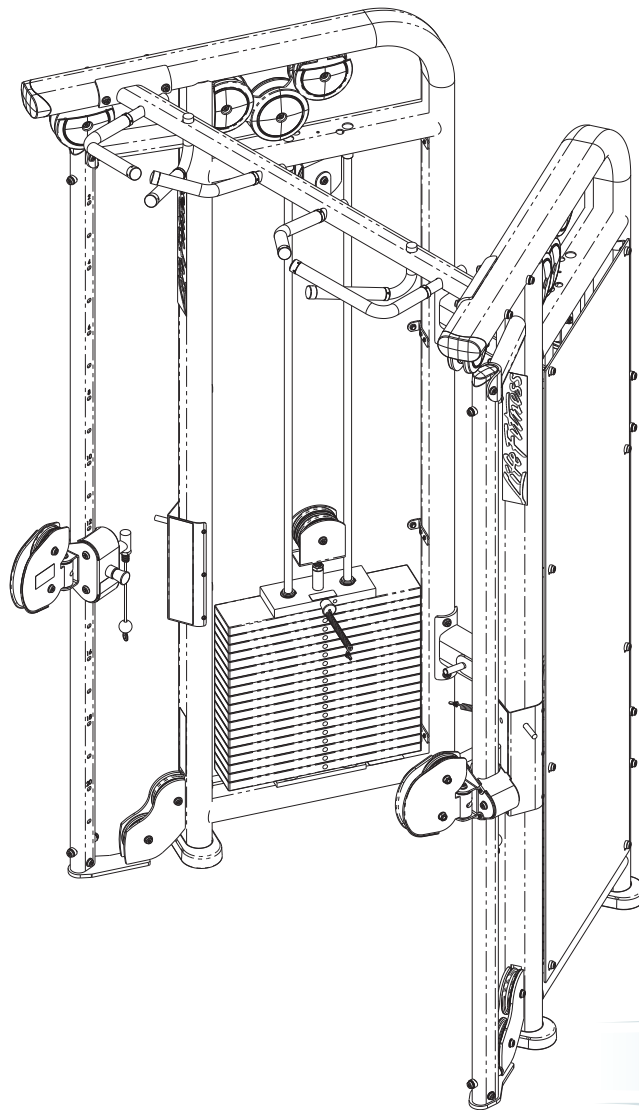


Signature Series Cable Motion Dual Adjustable Pulley CMDAP

SERIAL NUMBER CMDAP0908041 & UP

Parts List



LifeFitness
WHAT WE LIVE FOR

CMDAP DUAL ADJUSTABLE PULLEY CONTENTS

FRAME AND UPHOLSTERY COLORS..... 3

COMPONENT ASSEMBLY..... 4

RIGHT HAND TOWER ASSEMBLY..... 5

RIGHT HAND TOWER ASSEMBLY LEGEND..... 6

RIGHT HAND CARRIAGE ASSEMBLY..... 7

ADJ. PULLEY COLUMN ASSEMBLY..... 8

CHIN SUPPORT ASSEMBLY..... 9

OPTIONAL NOHANDLE BOOM..... 10

REAR SUPPORT ASSEMBLY..... 11

LEFT HAND TOWER ASSEMBLY..... 12

LEFT HAND TOWER ASSEMBLY LEGEND..... 13

LEFT HAND CARRIAGE ASSEMBLY..... 14

STACK PULLEY ASSEMBLY..... 15

390 LB. WEIGHT STACK ASSEMBLY..... 16

CABLE ROUTING..... 17

ACCESSORIES..... 18

LONG BAR ASSEMBLY..... 19

SPORT BAR ASSEMBLY..... 20

TRAINING AIDES..... 21

OPTIONAL FRONT SHROUD KIT..... 22

OPTIONAL SHROUD STACKWRAPS..... 23

IMAGE..... 24

CMDAP DUAL ADJUSTABLE PULLEY FRAME AND UPHOLSTERY COLORS

Strength Frame Colors



Platinum



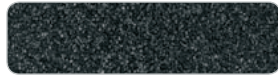
White



Black



Ice Blue Metallic



Midnight Metallic



Nickel



Blue



Red



Yellow



Candy Apple Red

Note: Include frame color in pick-slip notes when ordering frame assemblies or weldments.

Strength Upholstery Colors



American Beauty Red 07



Azure 20



Black 01



Cranberry 04



Graphite 22



Hunter Green 13



Regimental Blue 14



Royal Blue 02



Slate 03



Wheat 21



Burgundy 29



Candy Apple Red 28



Chestnut 34



Concord 16



Crocus 19



Dove Gray 37



Emerald 27



Grotto 25



Gun Metal 39



Imperial Blue 33



Jade 26



Navy 32



Northwoods Green 05



Paprika 35



Plum 30



Putty 38



Space Blue 06



Suede 08



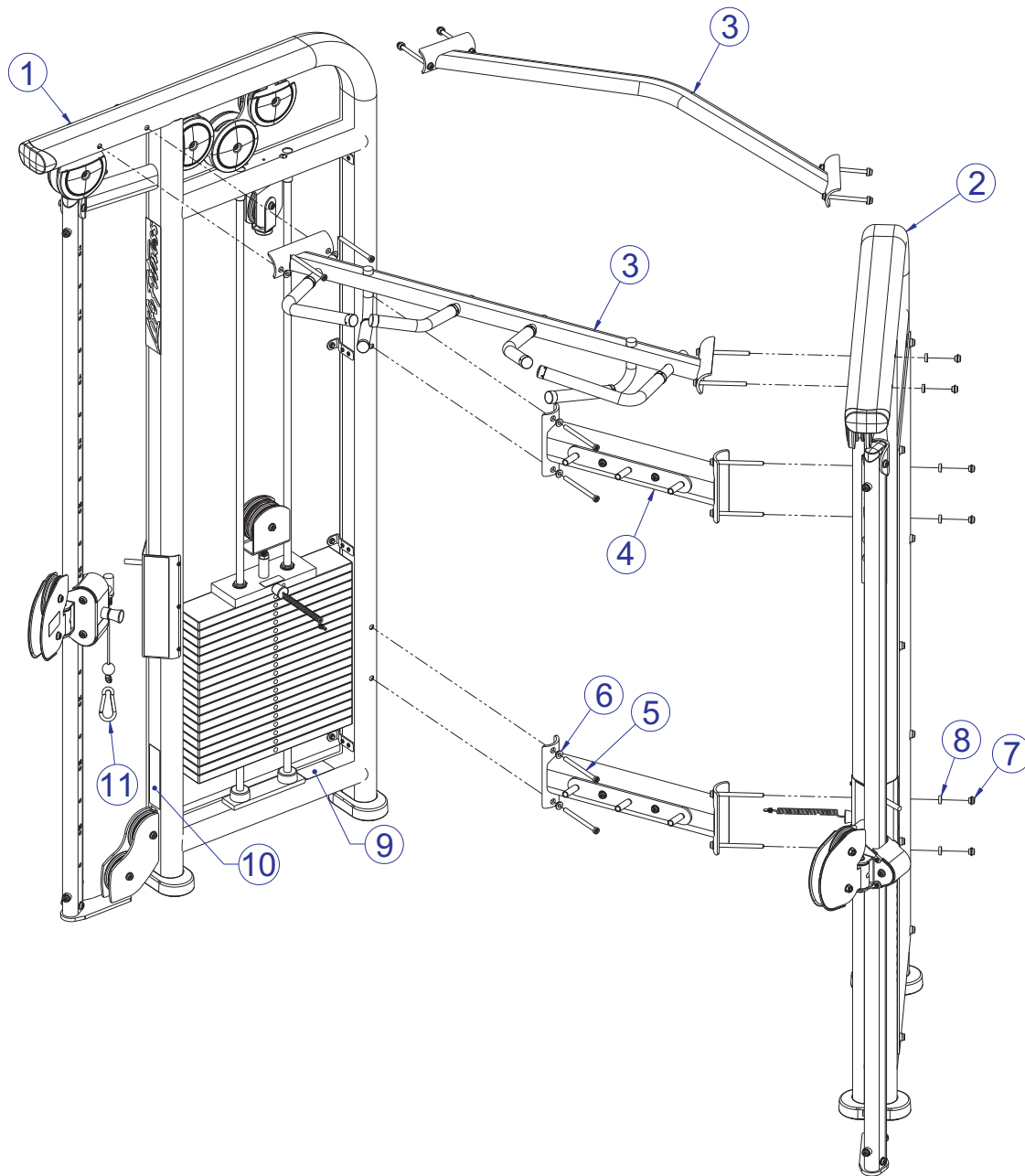
Terra Cotta 36



Turquoise 17

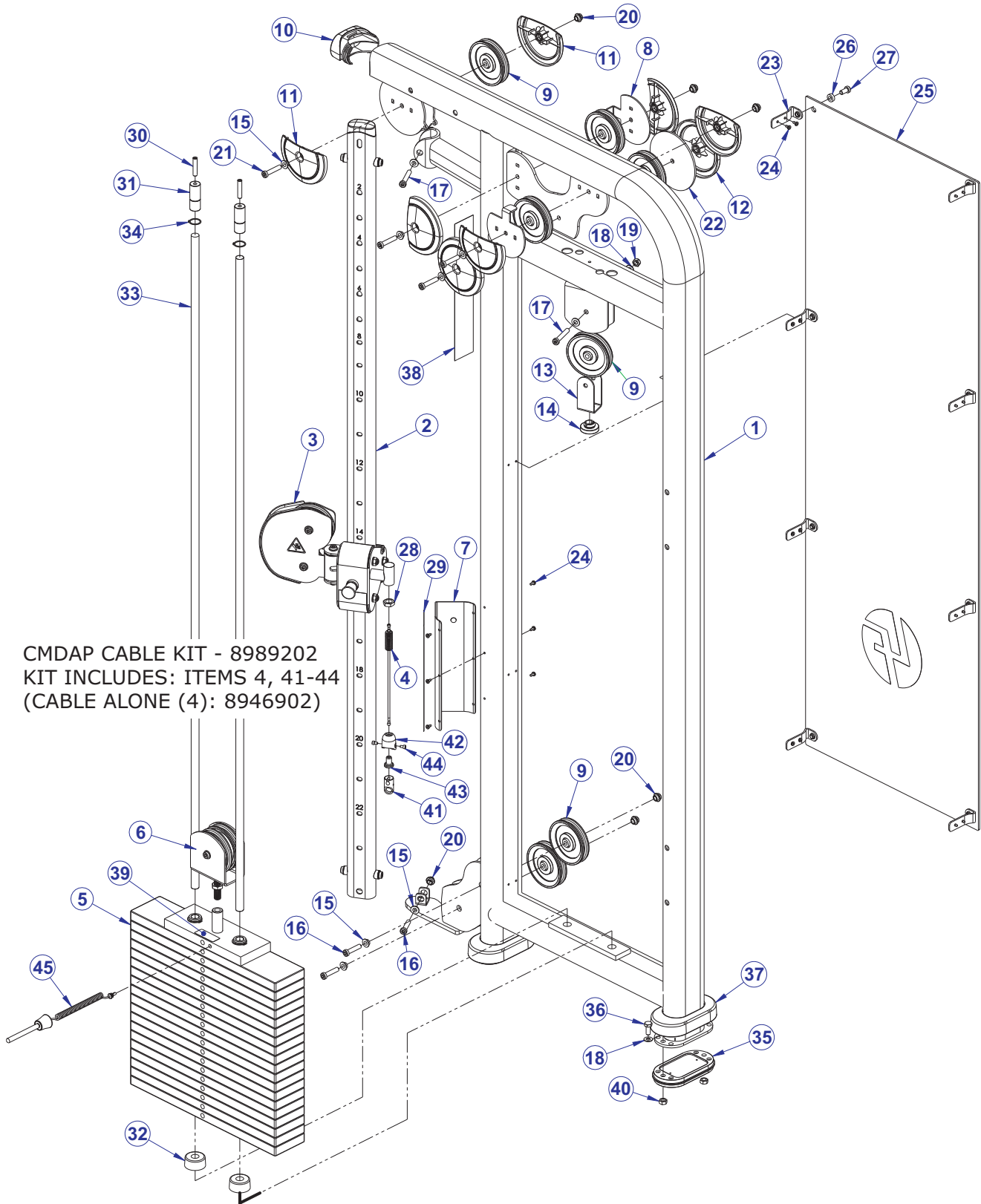
Note: Replace XX with above color suffix when ordering pads (ie. 74123XX = 7412301 Black)
Use 99 suffix for custom upholstery.

CMDAP DUAL ADJUSTABLE PULLEY COMPONENT ASSEMBLY



ITEM NO.	QTY.	PART NO.	DESCRIPTION	FRAME COLOR
1	1	7714201	ASSY, CMDAP RH TOWER	ANY
2	1	7714301	ASSY, CMDAP LH TOWER	ANY
3	1	7713901	ASSY, CMDAP CHIN SUPPORT	ANY
	-OR- 1	8539101	ASSY, CMDAP BOOM - NOHANDLES	ANY
4	2	7714101	ASSY, CMDAP REAR SUPPORT	ANY
5	12	3236220	M10 X 1.5 X 130 HXS SOC CS SS	-
6	12	7630101	RETAINER, CM/MJ, PULLEY	-
7	12	7335401	NUT, SOCKET HEAD M10 X 1.5 SS	-
8	12	7634701	SPACER, CM/MJ, .565 X .815	-
9	1	7571301	LABEL, SERIAL NUMBER	-
10	1	7422004	LABEL, 2IN ASTM WARN	-
11	2	3250201	SNAP LINK, 3/8" DIA	-

CMDAP DUAL ADJUSTABLE PULLEY RIGHT HAND TOWER ASSEMBLY - 7714201



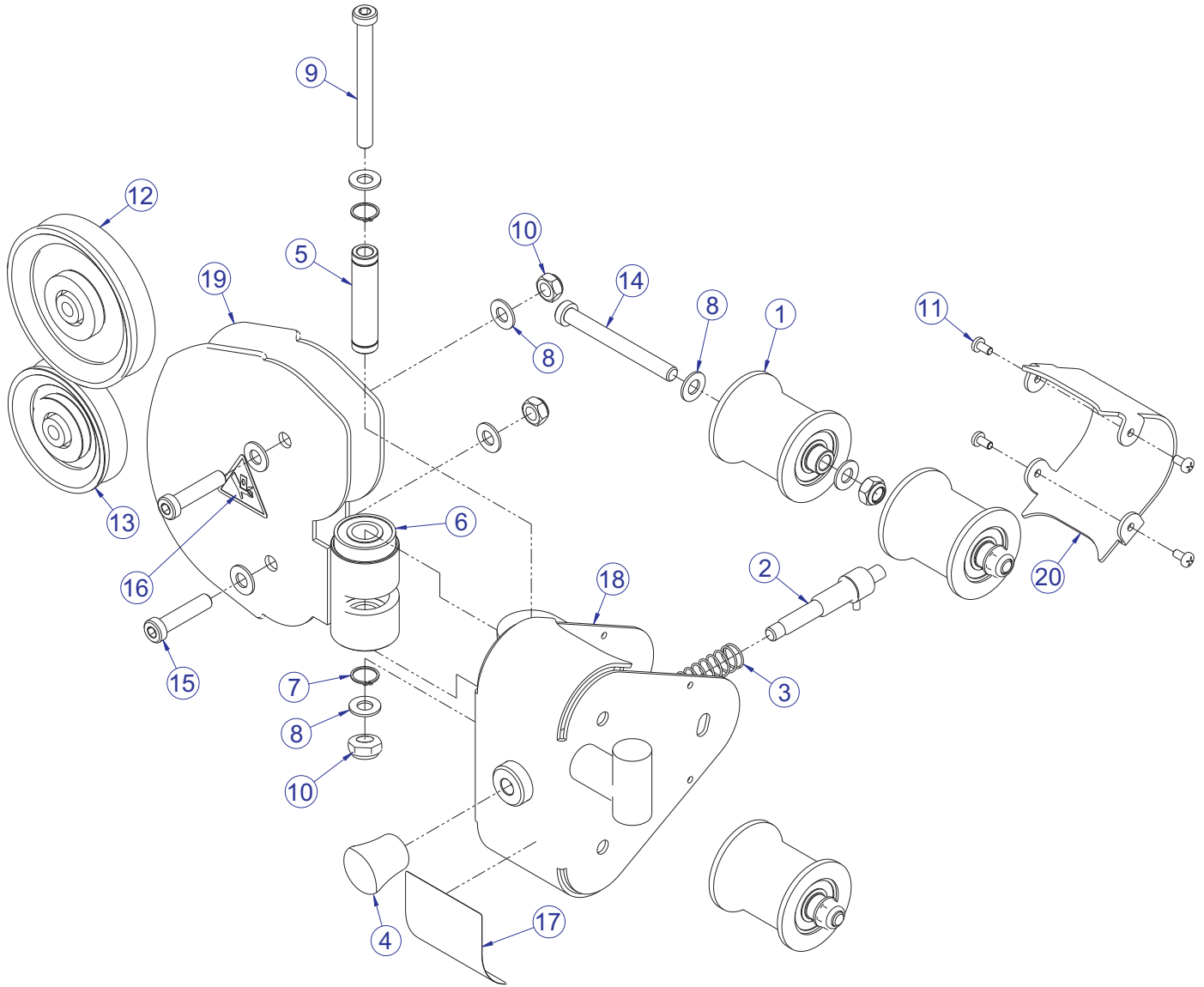
CMDAP CABLE KIT - 8989202
KIT INCLUDES: ITEMS 4, 41-44
(CABLE ALONE (4): 8946902)

SEE PAGE 6 FOR LEGEND

CMDAP DUAL ADJUSTABLE PULLEY RIGHT HAND TOWER ASSY. LEGEND

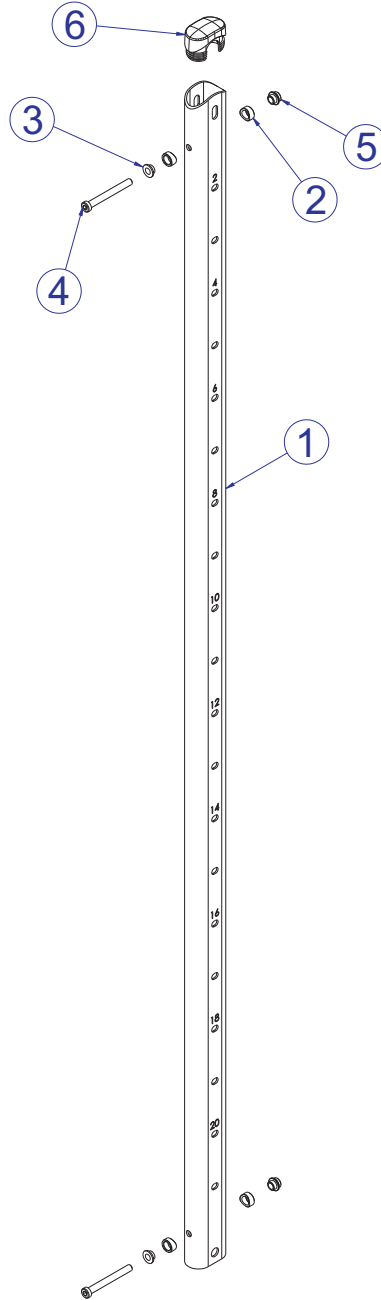
ITEM NO.	QTY.	PART NO.	DESCRIPTION	FRAME COLOR
1	1	7642401	WLDMT, CMDAP RH TOWER	ANY
2	1	7708401	ASSY, CM/MJ, ADJ PLY COLUMN	-
3	1	8346801	ASSY, CMDAP RH CARRIAGE -GRAY KNOB	ANY
		8346803	ASSY, CMDAP RH CARRIAGE -YELLOW KNOB	
4	1	8989202	KIT, CMDAP, CABLE (INCLUDES CABLE AND ENDS)	-
5	1	8976401	ASSY, 390LB STACK W/O PIN	-
6	1	7750701	ASSY, CMDAP STACK PULLEYS	SG
7	1	7749301	WLDMT, CM/MJ, PLACARD BRKT-2	-
8	2	7730901	BRKT, COVER/CABLE RETAINER	ANY
9	7	3237801	PULLEY, 4.5" OD	-
10	1	7333901	CAP, LARGE FLOV- END	-
11	6	7630001	COVER, PULLEY BOLTED PARTIAL	-
12	2	7629901	COVER, PULLEY- BOLTED FULL	-
13	1	7732401	BRKT, STACK BUMPER MOUNT	ANY
14	1	7642301	BUMPER, CM/MJ, PLUG	-
15	8	7630101	RETAINER, CM/MJ, PULLEY	-
16	3	3236206	SCREW, M10 X1.5 45MM	-
17	2	3236209	SCREW, M10 X1.5 60MM	-
18	6	3236601	WASHER, 3/8 SAE SS	-
19	1	3236801	NUT, M10 HEX NYLOCK SS	-
20	8	7335401	NUT, M10 X 1.5 SOCKET HEAD	-
21	4	3236207	SCREW, M10 X1.5 50MM	-
22	1	7301101	PLATE, PULLEY	ANY
23	8	7642001	BRKT, CM/MJ, REAR SHROUD	-
24	22	3270601	SCREW, #10-32 TRX PAN ST BZ	-
25	1	8353201	SHROUD, CM/MJ REAR	-
26	8	7385201	SPACER, .406 X .750 X .250	-
27	8	3236201	SCREW, M10 X1.5 20MM	-
28	1	3236902	NUT, HEX JAM M16 X 2 SS	-
29	1	7749401	LABEL, CMDAP PLACARD RH-ENGLISH	-
		7749402	LABEL, CMDAP PLACARD RH-GERMAN	
		7749403	LABEL, CMDAP PLACARD RH-FRENCH	
		7749404	LABEL, CMDAP PLACARD RH-SPANISH	
		7749405	LABEL, CMDAP PLACARD RH-ITALIAN	
		7749406	LABEL, CMDAP PLACARD RH-DUTCH	
		7749407	LABEL, CMDAP PLACARD RH-JAPANESE	
		7749408	LABEL, CMDAP PLACARD RH-PORTUGUESE	
30	2	3240502	M10 X 1.5 X 50 HXS NO CUP ST BO	-
31	2	7634401	RETAINER, CM/MJ, GUIDEROD	-
32	2	7352101	CUSHION, WEIGHT STACK	-
33	2	7328618	GUIDE ROD, .75 OD SOLID 71.50	-
34	2	3232421	RING, BRE .940, 5100-100 ST PP B	-
35	2	7334001	FOOT, 2.50 X 4.49 FLOV	-
36	4	3251202	SCREW, M10 X1.5 X 25MM UNS HEX CS ST ZN	-
37	2	7340201	COVER, FOOT - STRAIGHT	-
38	1	7348001	LABEL, LIFE FITNESS LOGO	-
39	1	7744501	LABEL, WEIGHT AT HANDLE	-
40	4	3254703	NUT, M10 X 1.5 HEX ZINC	-
41	1	8943601	LINK, CM/MJ, CABLE END	-
42	1	8943701	HSNG, CM/MJ, CABLE END	-
43	1	8943801	INSERT, CM/MJ, CABLE END	-
44	2	3250002	M5 X 0.8 HXS SOC CS ST BZ X 8	-
45	1	7353001	ASSY, SELECTOR PIN	-
		8981903	ASSY, WT STACK SELECTOR PIN, SRT - YELLOW	

CMDAP DUAL ADJUSTABLE PULLEY RIGHT HAND CARRIAGE ASSEMBLY - 83468XX



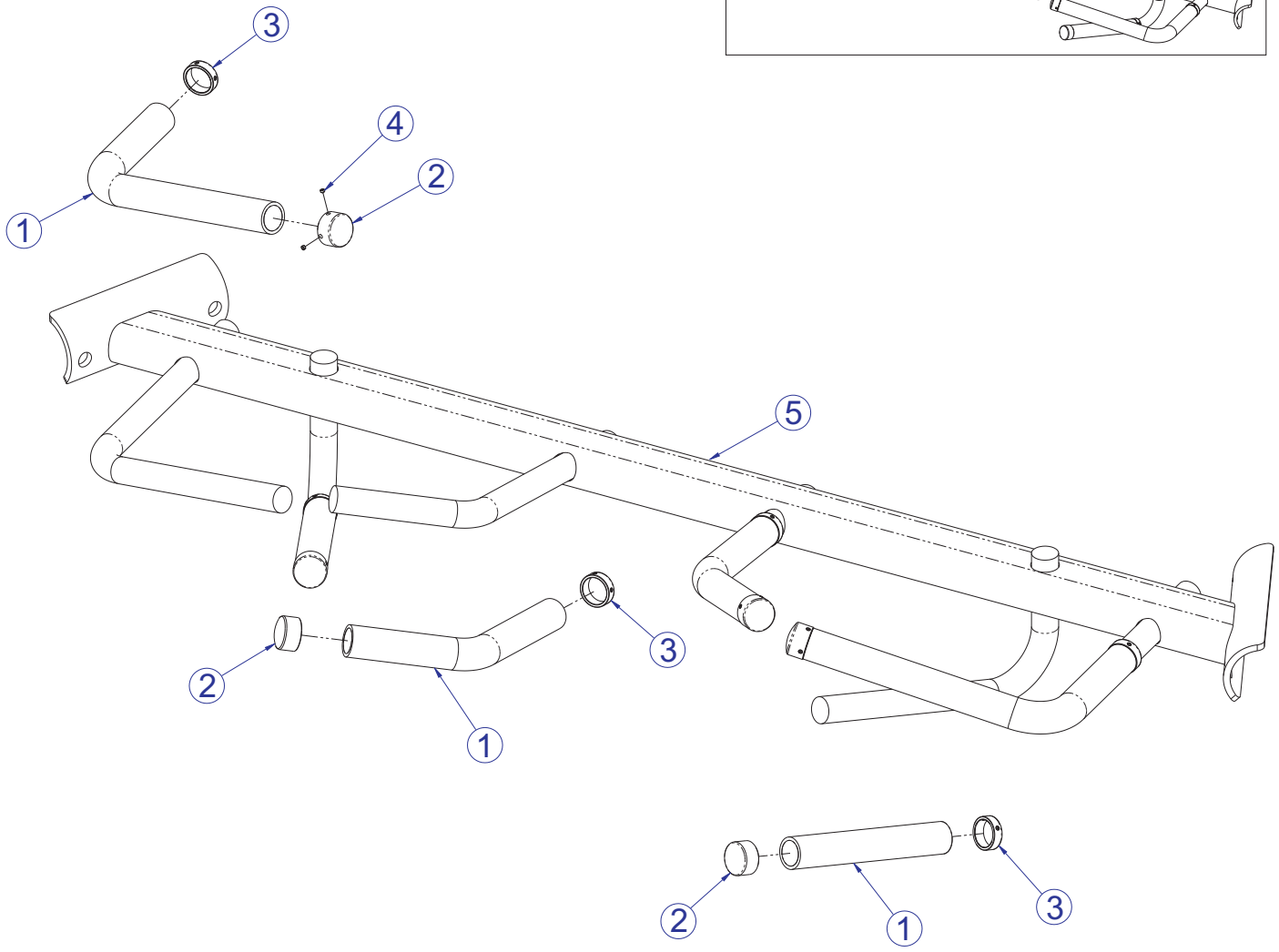
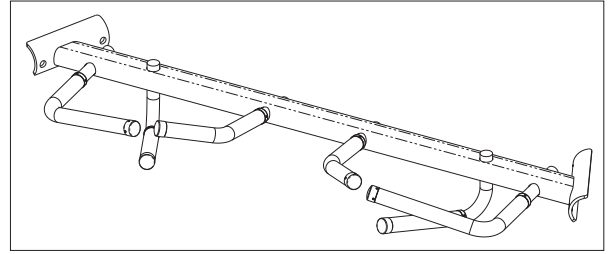
ITEM NO.	QTY.	PART NO.	DESCRIPTION	FRAME COLOR
1	3	7637901	ASSY, ROLLER-CONCAVE	-
2	1	8327901	ASSY, CM/MJ PULL PIN, BEVEL NOSE	-
3	1	7351501	SPRING, PULL PIN LARGE	-
4	1	7351401	KNOB, TULIP STYLE	-
		7424803	KNOB, POP PIN, YELLOW	
5	1	7645401	SHAFT, CM/MJ, 6203 BRNG	-
6	2	3245901	BEARING, 6203	-
7	2	3232413	RING, BRE .631, 5100-66, ST PP B	-
8	12	3236601	WASHER, 3/8 SAE SS	-
9	1	3236217	SCREW, M10 X1.5 100MM	-
10	6	3236801	NUT, M10 HEX NYLOCK SS	-
11	4	3239101	SCREW, M5X10 PHL PAN TT ST	-
12	1	3237801	PULLEY, 4.5" OD	-
13	1	3245701	PULLEY, 3.5" OD, 10MM ID SG	-
14	3	3236216	SCREW, M10 X1.5 95MM	-
15	2	3236206	SCREW, M10 X1.5 45MM	-
16	1	8039501	LABEL, WARNING, TRIANGLE	-
17	1	7821001	LABEL, WARNING ADJ. CARRIAGE	-
18	1	8346901	WLDMT, CMDAP RH CARRIAGE	ANY
19	1	7633301	WLDMT, CM/MJ, SWIVEL PULLEY	ANY
20	1	7631801	BRKT, CM/MJ, CARRIAGE SHROUD	ANY

CMDAP DUAL ADJUSTABLE PULLEY ADJ. PULLEY COLUMN ASSEMBLY - 7708401



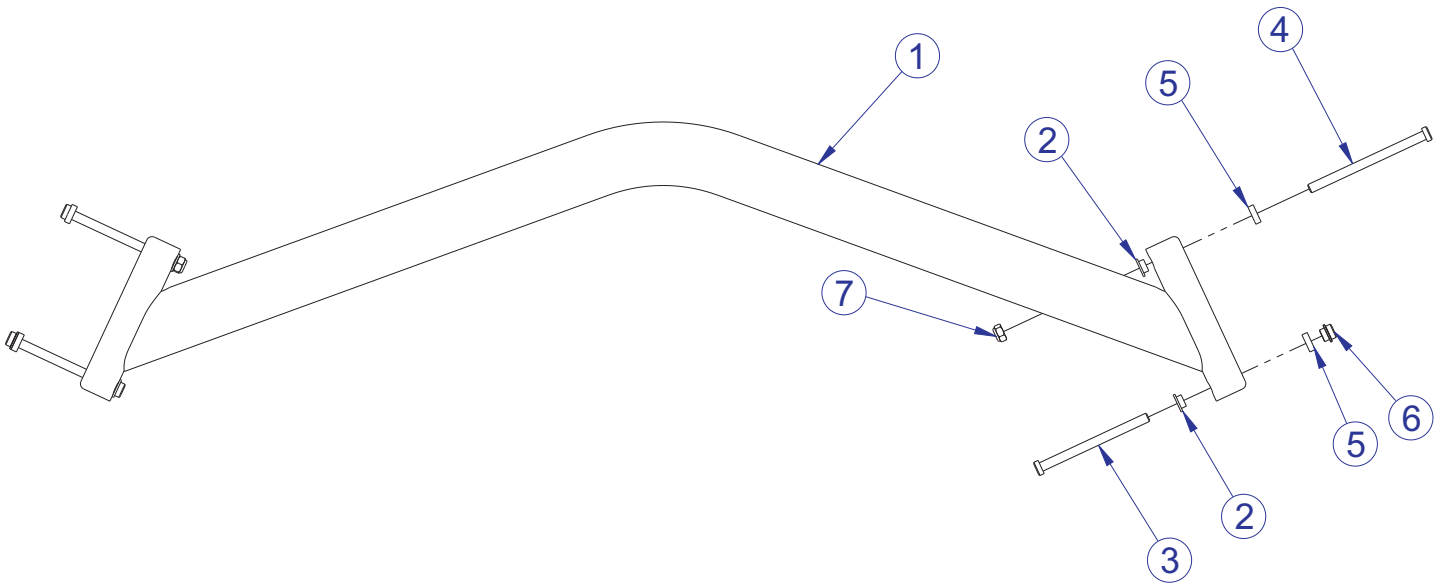
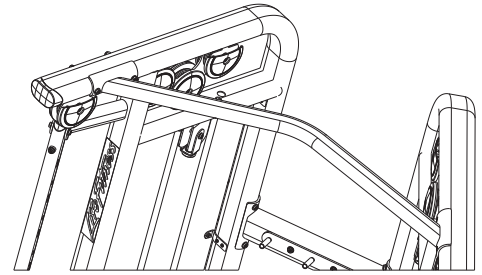
ITEM NO.	QTY.	PART NO.	DESCRIPTION	FRAME COLOR
1	1	8264101	TUBE, CM/MJ ADJ COLUMN	-
2	4	7645501	SPACER, CM/MJ, SM FLOV CONCAVE	-
3	2	7630101	RETAINER, CM/MJ, PULLEY	-
4	2	3236215	SCREW, M10 X1.5 90MM	-
5	2	7335401	NUT, M10 X 1.5 SOCKET HEAD	-
6	1	7333801	CAP, SMALL FLOV- END	-

CMDAP DUAL ADJUSTABLE PULLEY CHIN SUPPORT ASSEMBLY - 7713901



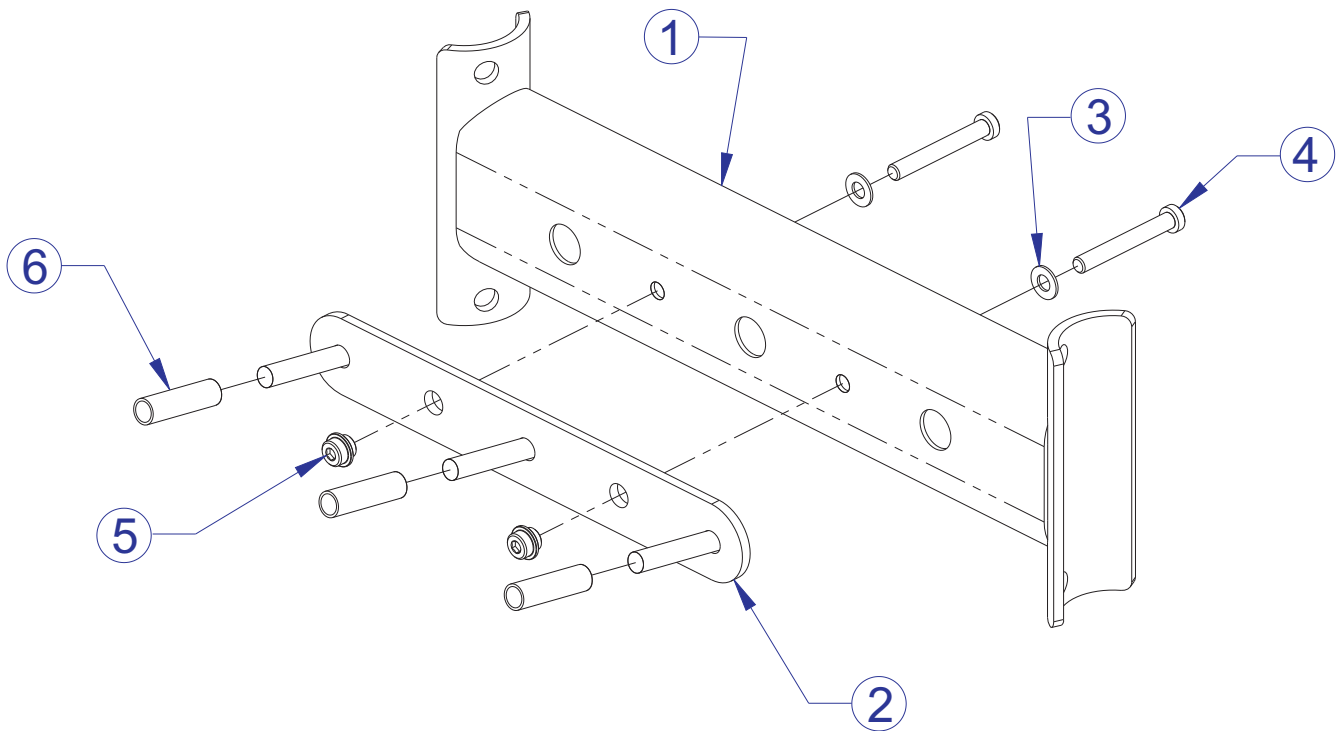
ITEM NO.	QTY.	PART NO.	DESCRIPTION	FRAME COLOR
1	6	3235801	GRIP, 1.25 OD X .125 WALL OPEN END	-
2	6	7662901	CAP, GRIP 1.25 OD	-
3	6	7662801	RING, GRIP 1.25 OD	-
4	24	3247701	M4 X .7 HXS NO CUP ST BO	-
5	1	7642701	WLDMT, CMDAP CHIN SUPPORT	ANY

CMDAP DUAL ADJUSTABLE PULLEY OPTIONAL NO HANDLE BOOM ASSY. - 8539101



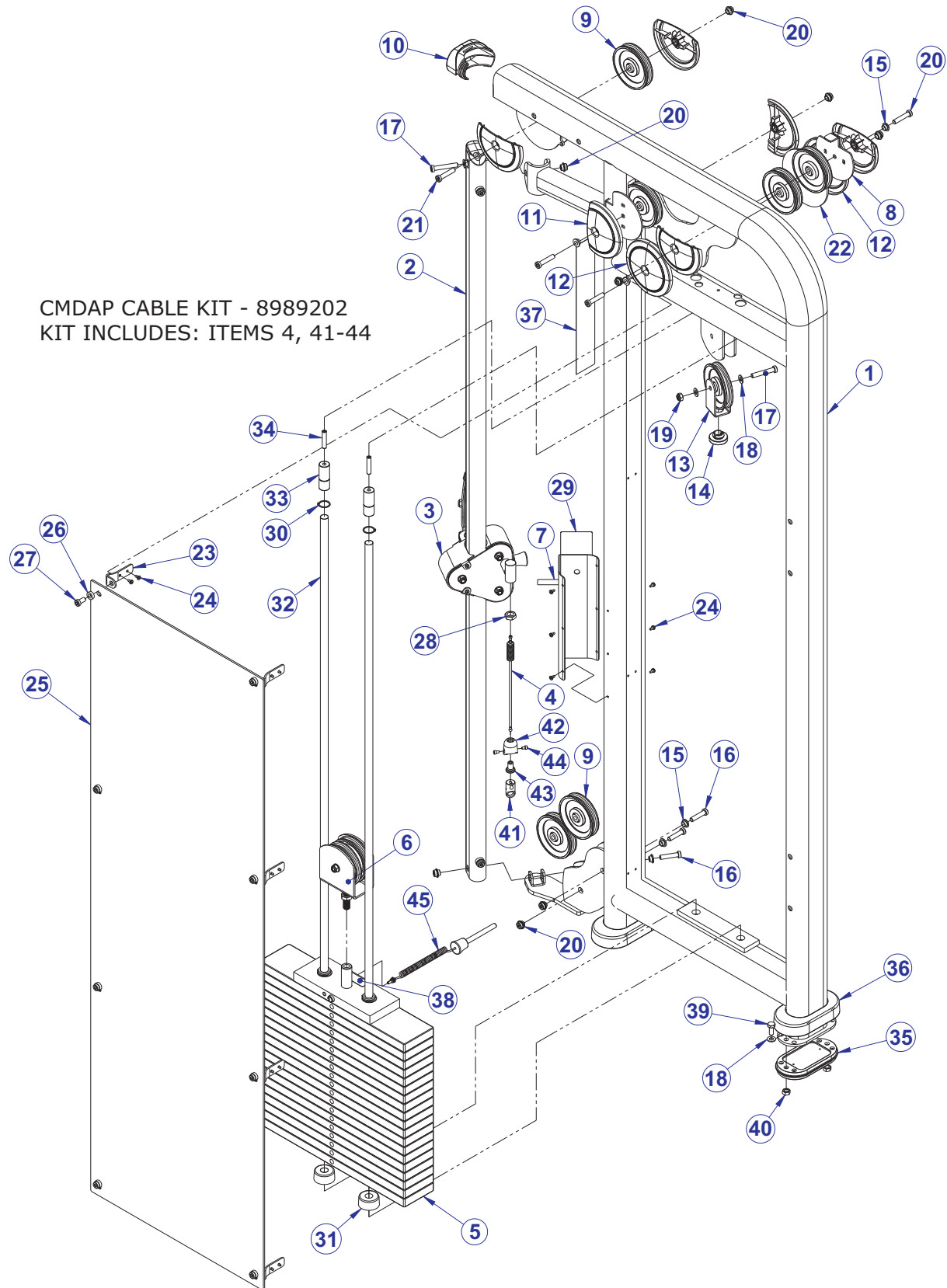
ITEM NO.	QTY.	PART NO.	DESCRIPTION	FRAME COLOR
1	1	8539001	WLDMT, CMDAP BOOM - NOHANDLES	ANY
2	4	7630101	RETAINER, CM/MJ, PULLEY	-
3	2	3236220	SCREW, M10 X1.5 130MM	-
4	2	3236221	SCREW, M10 X1.5 140MM	-
5	4	7634701	SPACER, CM/MJ, .565 X .815	-
6	2	7335401	NUT, M10 X 1.5 SOCKET HEAD	-
7	2	3236801	NUT, M10 HEX NYLOCK SS	-

CMDAP DUAL ADJUSTABLE PULLEY REAR SUPPORT ASSEMBLY - 7714101



ITEM NO.	QTY.	PART NO.	DESCRIPTION	FRAME COLOR
1	1	7642601	WLDMT, CMDAP REAR SUPPORT	ANY
2	1	7644895	WLDMT, CM ACC RACK	SG
3	2	3236601	WASHER, 3/8 SAE SS	-
4	2	3236212	SCREW, M10 X1.5 75MM	-
5	2	7335401	NUT, M10 X 1.5 SOCKET HEAD	-
6	3	7749601	SLEEVE, .50" ID X 2.25"	-

CMDAP DUAL ADJUSTABLE PULLEY LEFT HAND TOWER ASSEMBLY - 7714301



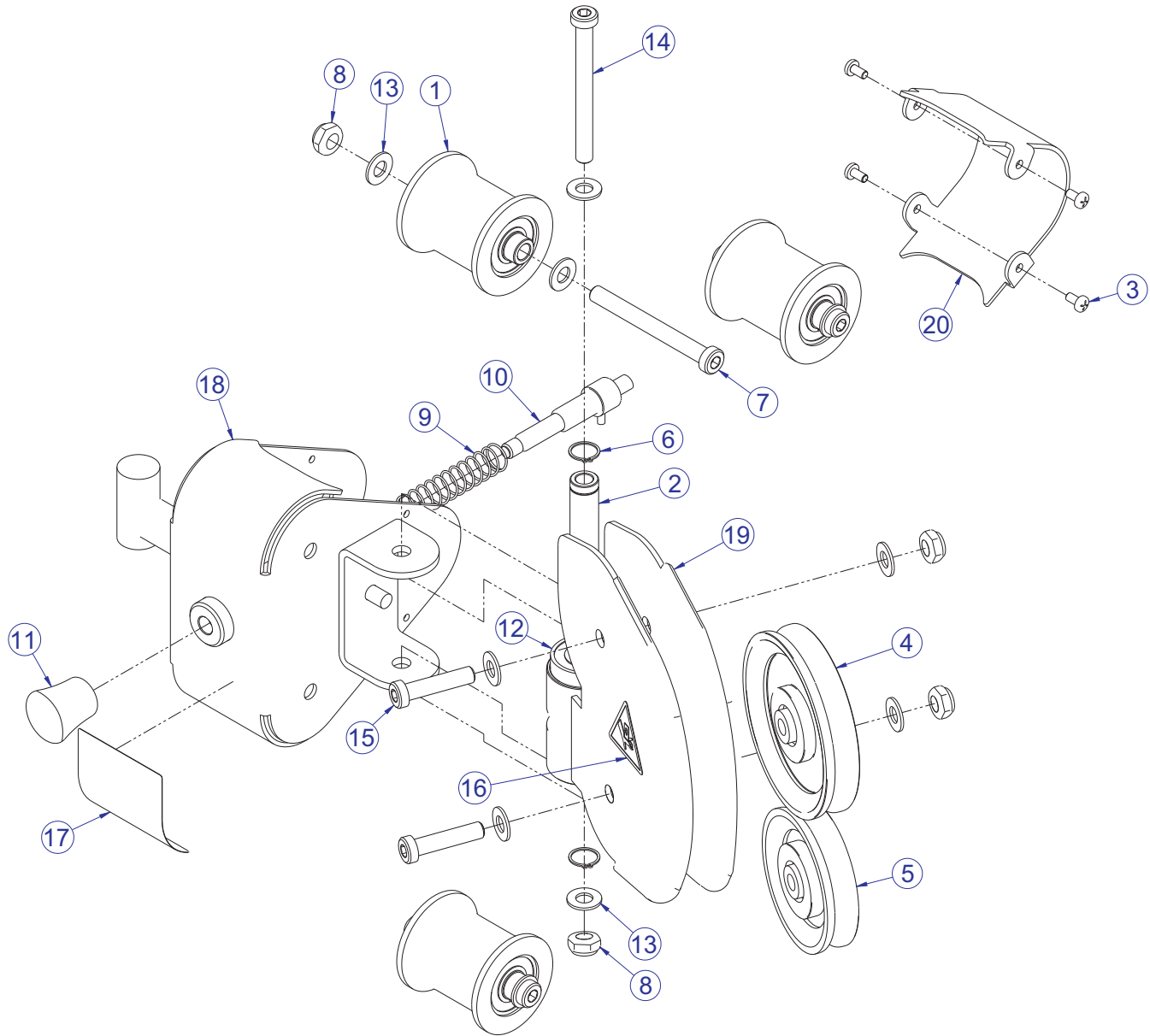
CMDAP CABLE KIT - 8989202
KIT INCLUDES: ITEMS 4, 41-44

SEE PAGE 13 FOR LEGEND

CMDAP DUAL ADJUSTABLE PULLEY LEFT HAND TOWER ASSEMBLY LEGEND

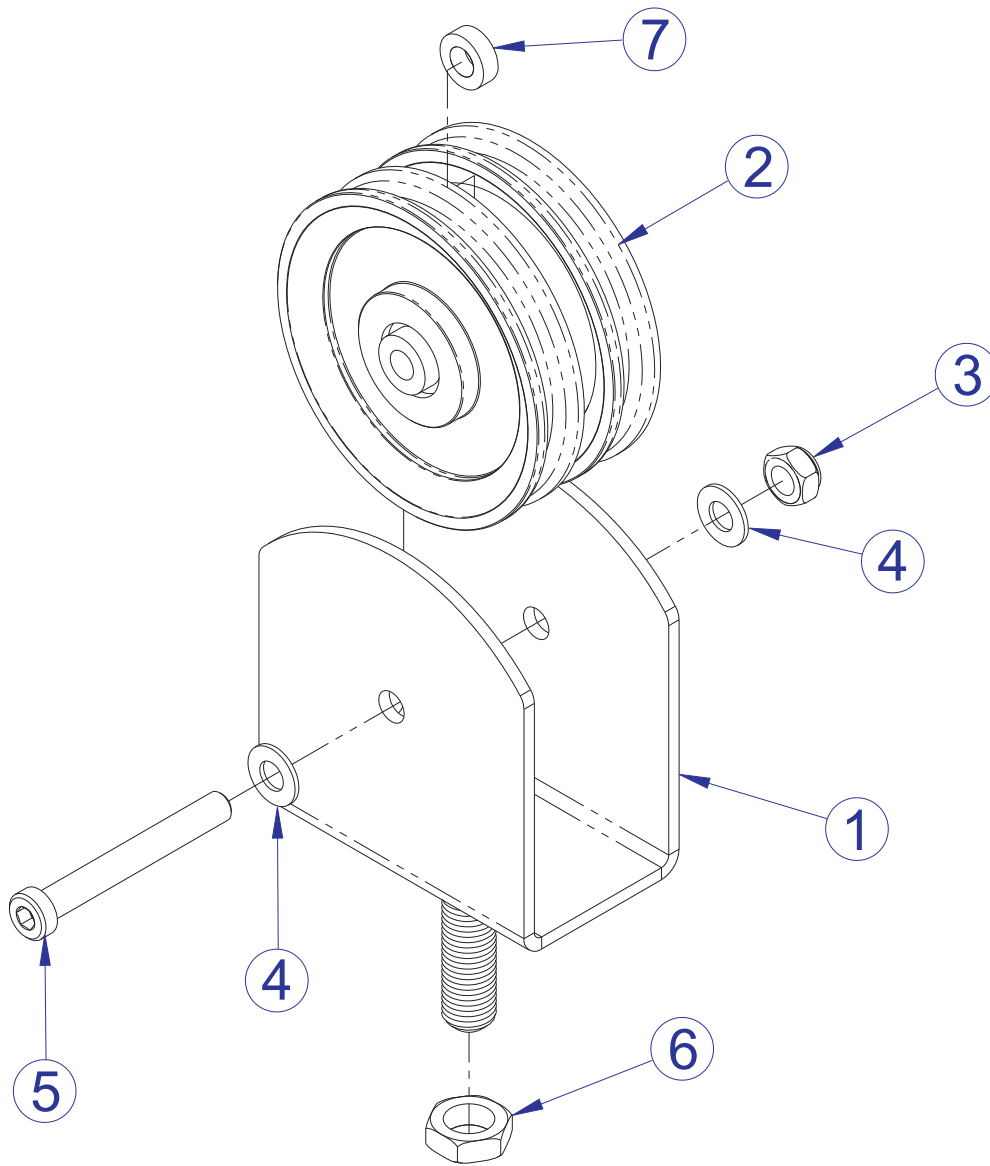
ITEM NO.	QTY.	PART NO.	DESCRIPTION	FRAME COLOR
1	1	7642501	WLDMT, CMDAP LH TOWER	ANY
2	1	7708401	ASSY, CM/MJ, ADJ PLY COLUMN	-
3	1	8346601	ASSY, CMDAP LH CARRIAGE -GRAY KNOB	ANY
		8346603	ASSY, CMDAP LH CARRIAGE -YELLOW KNOB	
4	1	8989202	KIT, CMDAP, CABLE (INCLUDES CABLE AND ENDS)	-
5	1	8976401	ASSY, 390LB STACK W/O PIN	-
6	1	7750701	ASSY, CMDAP STACK PULLEYS	SG
7	1	7647001	WLDMT, CM/MJ, PLACARD BRKT	ANY
8	2	7730901	BRKT, COVER/CABLE RETAINER	ANY
9	7	3237801	PULLEY, 4.5" OD	-
10	1	7333901	CAP, LARGE FLOV- END	-
11	6	7630001	COVER, PULLEY BOLTED PARTIAL	-
12	2	7629901	COVER, PULLEY- BOLTED FULL	-
13	1	7732401	BRKT, STACK BUMPER MOUNT	ANY
14	1	7642301	BUMPER, CM/MJ, PLUG	-
15	8	7630101	RETAINER, CM/MJ, PULLEY	-
16	3	3236206	SCREW, M10 X1.5 45MM	-
17	2	3236209	SCREW, M10 X1.5 60MM	-
18	6	3236601	WASHER, 3/8 SAE SS	-
19	1	3236801	NUT, M10 HEX NYLOCK SS	-
20	8	7335401	NUT, M10 X 1.5 SOCKET HEAD	-
21	4	3236207	SCREW, M10 X1.5 50MM	-
22	1	7301101	PLATE, PULLEY	ANY
23	8	7642001	BRKT, CM/MJ, REAR SHROUD	-
24	22	3270601	SCREW, # 10-32 TRX PAN ST BZ	-
25	1	8353201	SHROUD, CM/MJ REAR	-
26	8	7385201	SPACER, .406 X .750 X .250	-
27	8	3236201	SCREW, M10 X1.5 20MM	-
28	1	3236902	NUT, HEX JAM M16 X 2 SS	-
29	1	7749501	LABEL, CMDAP PLACARD LH-ENGLISH	-
		7749502	LABEL, CMDAP PLACARD LH-GERMAN	
		7749503	LABEL, CMDAP PLACARD LH-FRENCH	
		7749504	LABEL, CMDAP PLACARD LH-SPANISH	
		7749505	LABEL, CMDAP PLACARD LH-ITALIAN	
		7749506	LABEL, CMDAP PLACARD LH-DUTCH	
		7749507	LABEL, CMDAP PLACARD LH-JAPANESE	
7749508	LABEL, CMDAP PLACARD LH-PORTUGUESE			
30	2	3232421	RING, BRE .940, 5100-100 ST PP B	-
31	2	7352101	CUSHION, WEIGHT STACK	-
32	2	7328618	GUIDE ROD, .75 OD SOLID 71.50	-
33	2	7634401	RETAINER, CM/MJ, GUIDEROD	-
34	2	3240502	M10 X 1.5 X 50 HXS NO CUP ST BO	-
35	2	7334001	FOOT, 2.50 X 4.49 FLOV	-
36	2	7340201	COVER, FOOT - STRAIGHT	-
37	1	7348001	LABEL, LIFE FITNESS LOGO	-
38	1	7744501	LABEL, WEIGHT AT HANDLE	-
39	4	3251202	SCREW, M10 X1.5 X 25MM UNS HEX CS ST ZN	-
40	4	3254703	NUT, M10 X 1.5 HEX ZINC	-
41	1	8943601	LINK, CM/MJ, CABLE END	-
42	1	8943701	HSNG, CM/MJ, CABLE END	-
43	1	8943801	INSERT, CM/MJ, CABLE END	-
44	2	3250002	M5 X 0.8 HXS SOC CS ST BZ X 8	-
45	1	7353001	ASSY, SELECTOR PIN	1
		8981903	ASSY, WT STACK SELECTOR PIN, SRT - YELLOW	

CMDAP DUAL ADJUSTABLE PULLEY LEFT HAND CARRIAGE ASSEMBLY - 83466XX



ITEM NO.	QTY.	PART NO.	DESCRIPTION	FRAME COLOR
1	3	7637901	ASSY, ROLLER-CONCAVE	-
2	1	7645401	SHAFT, CM/MJ, 6203 BRNG	-
3	4	3239101	SCREW, M5X10 PHL PAN TT ST	-
4	1	3237801	PULLEY, 4.5" OD	-
5	1	3245701	PULLEY, 3.5" OD, 10MM ID SG	-
6	2	3232413	RING, BRE .631, 5100-66, ST PP B	-
7	3	3236216	SCREW, M10 X1.5 95MM	-
8	6	3236801	NUT, M10 HEX NYLOCK SS	-
9	1	7351501	SPRING, PULL PIN LARGE	-
10	1	8327901	ASSY, CM/MJ PULL PIN, BEVEL NOSE	-
11	1	7351401	KNOB, TULIP STYLE	-
		7424803	KNOB, POP PIN, YELLOW	-
12	2	3245901	BEARING, 6203	-
13	12	3236601	WASHER, 3/8 SAE SS	-
14	1	3236217	SCREW, M10 X1.5 100MM	-
15	2	3236206	SCREW, M10 X1.5 45MM	-
16	1	8039501	LABEL, WARNING, TRIANGLE	-
17	1	7821001	LABEL, WARNING ADJ. CARRIAGE	-
18	1	8346701	WLDMT, CMDAP LH CARRIAGE	ANY
19	1	7633301	WLDMT, CM/MJ, SWIVEL PULLEY	ANY
20	1	7631801	BRKT, CM/MJ, CARRIAGE SHROUD	ANY

CMDAP DUAL ADJUSTABLE PULLEY STACK PULLEY ASSEMBLY - 7750701

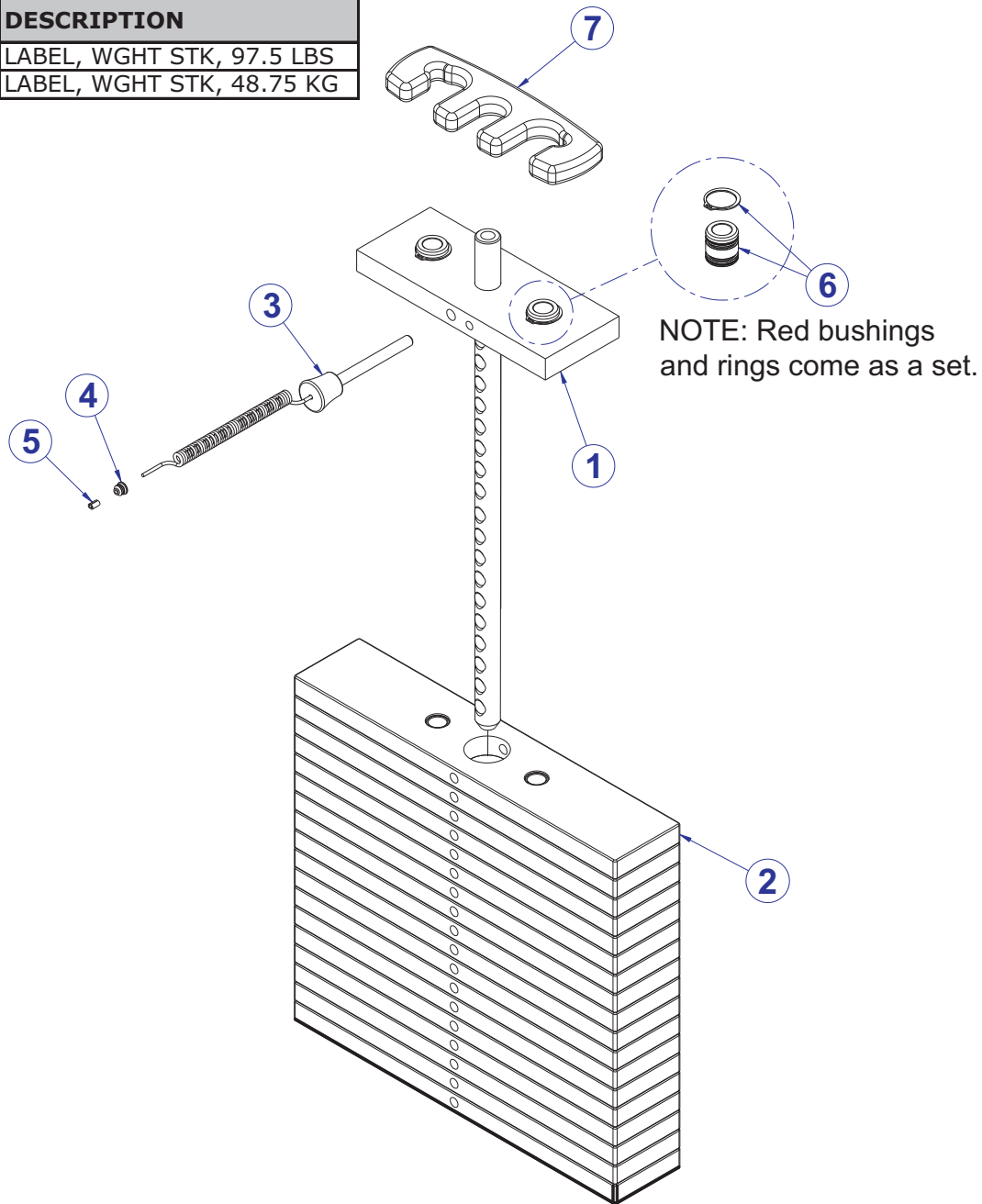


ITEM NO.	QTY.	PART NO.	DESCRIPTION	FRAME COLOR
1	1	7644095	WLDMT, HEAD PLATE DBL PULLEY	SG
2	2	3237801	PULLEY, 4.5" OD	-
3	1	3236801	NUT, M10 HEX NYLOCK SS	-
4	2	3236601	WASHER, 3/8 SAE SS	-
5	1	3236213	SCREW, M10 X1.5 80MM	-
6	1	3236902	NUT, M16 X 2 HEX JAM SS	-
7	1	7385201	SPACER, .406 X .750 X .250	-

CMDAP DUAL ADJUSTABLE PULLEY 390 LB. WEIGHT STACK ASSEMBLY - 7353601

WEIGHT PLATE LABELS

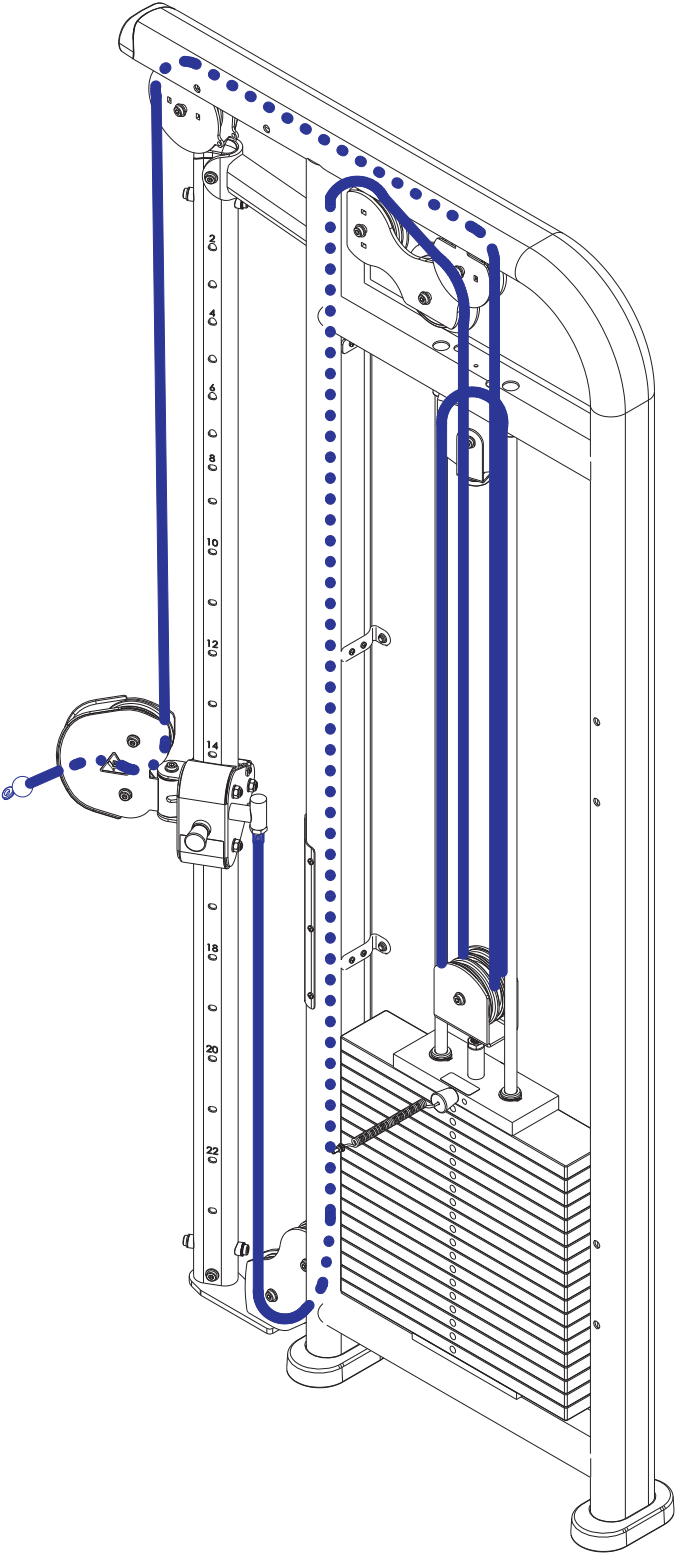
PART NO.	DESCRIPTION
8068701	LABEL, WGHT STK, 97.5 LBS
8069301	LABEL, WGHT STK, 48.75 KG



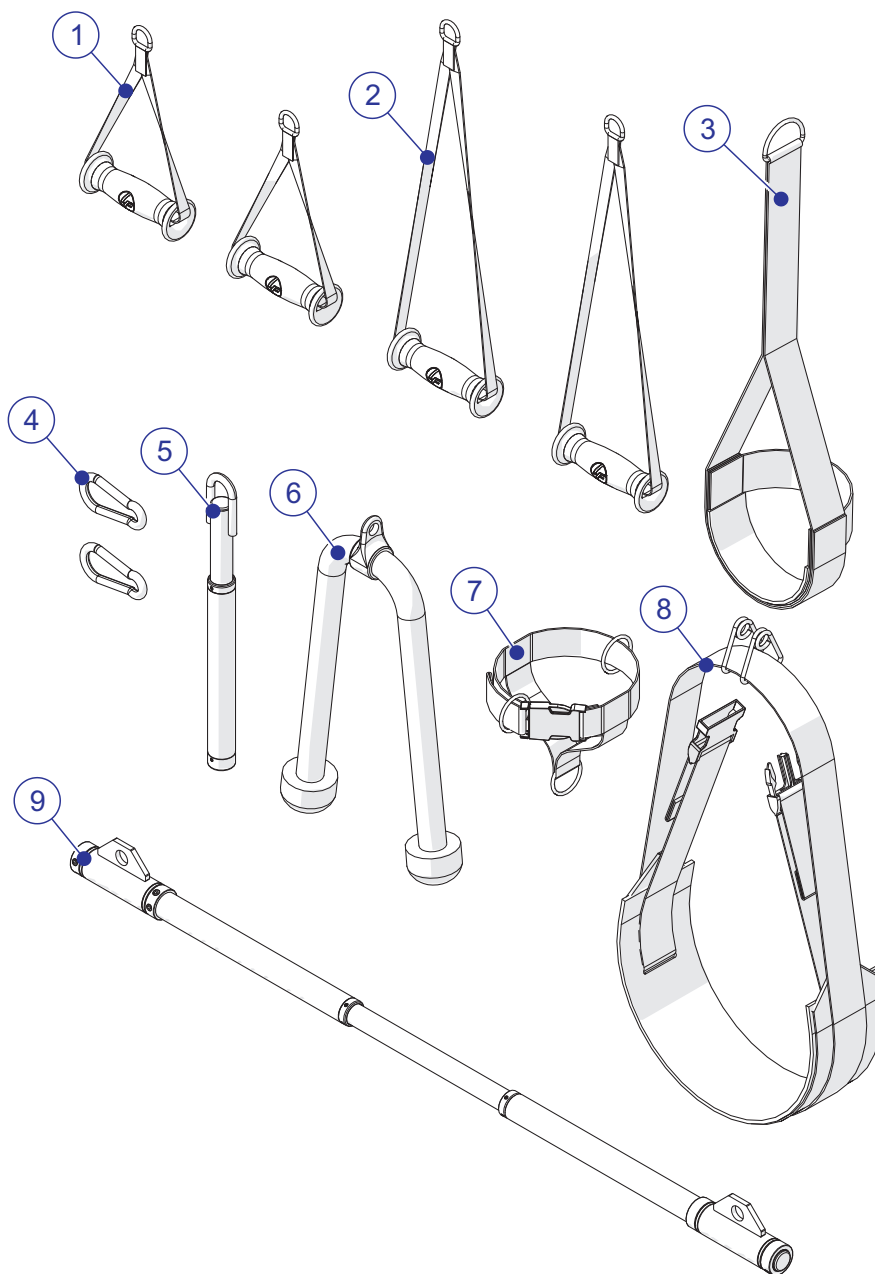
ITEM NO.	QTY.	PART NO.	DESCRIPTION
1	1	8920201	19 HOLE HEAD PLATE/BAYONET SER. KIT ASSY
2	19	7328401	WEIGHT PLATE, 20 LB
3	1	7353001	ASSY, SELECTOR PIN
		8981903	ASSY, WT STACK SELECTOR PIN, SRT - YELLOW
4	1	7356501	PLUG, LANYARD ATTACHMENT
5	1	7523601	CRIMP, CABLE
6	2	7338001	BUSHING, HEADPLATE
7	4	7711501	WEIGHT, 5 LB. ADD-ON

CMDAP DUAL ADJUSTABLE PULLEY CABLE ROUTING

RIGHT HAND SIDE

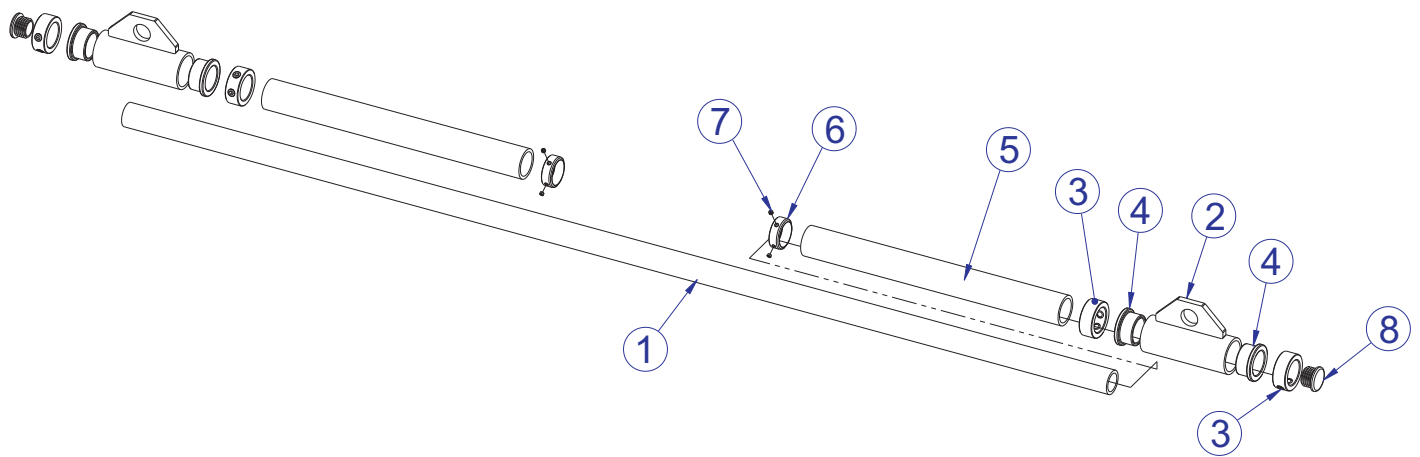


CMDAP DUAL ADJUSTABLE PULLEY ACCESSORIES: CMDAP-ACSR



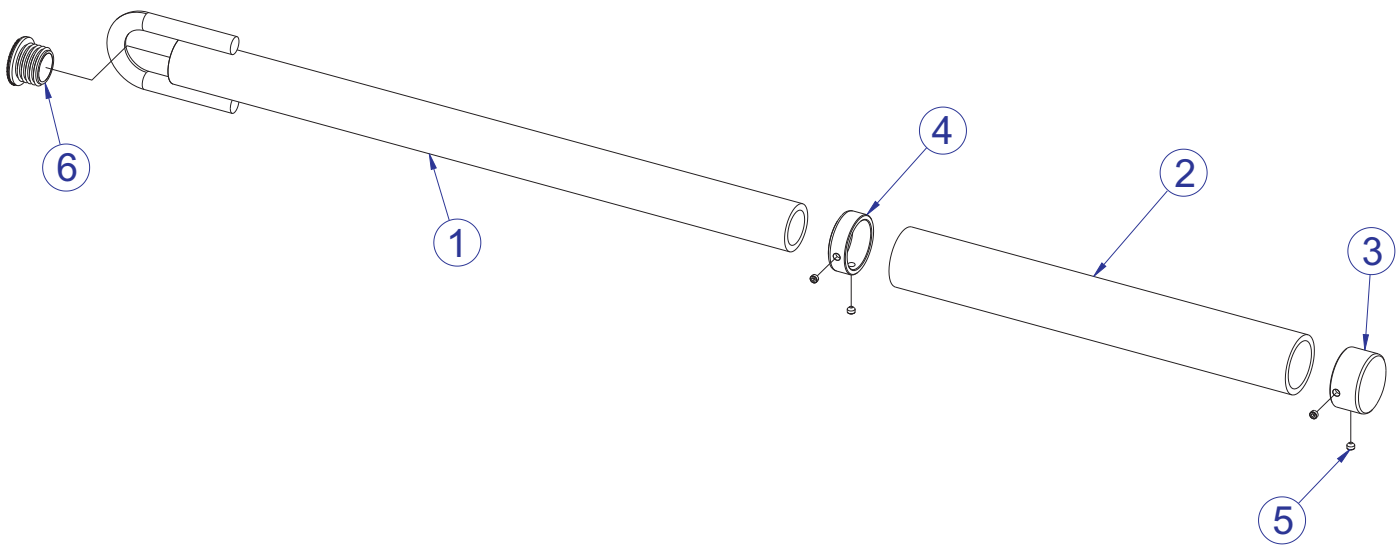
ITEM NO.	QTY.	PART NO.	DESCRIPTION
1	2	8219601	HANDLE, CM/MJ, SHORT STRAP
2	2	8219701	HANDLE, CM/MJ, LONG STRAP
3	1	7753001	LE/LC STRAP
4	2	3250201	SNAP LINK, 3/8 IN. DIA
5	1	7753201	ASSY, SPORT BAR
6	1	6851501	ROPE, TRICEP
7	1	7734701	STRAP, 4-WAY ANKLE
8	1	8929101	BELT, CMDAP
9	1	7753101	ASSY, LONG BAR

CMDAP DUAL ADJUSTABLE PULLEY LONG BAR ASSEMBLY - 7753101



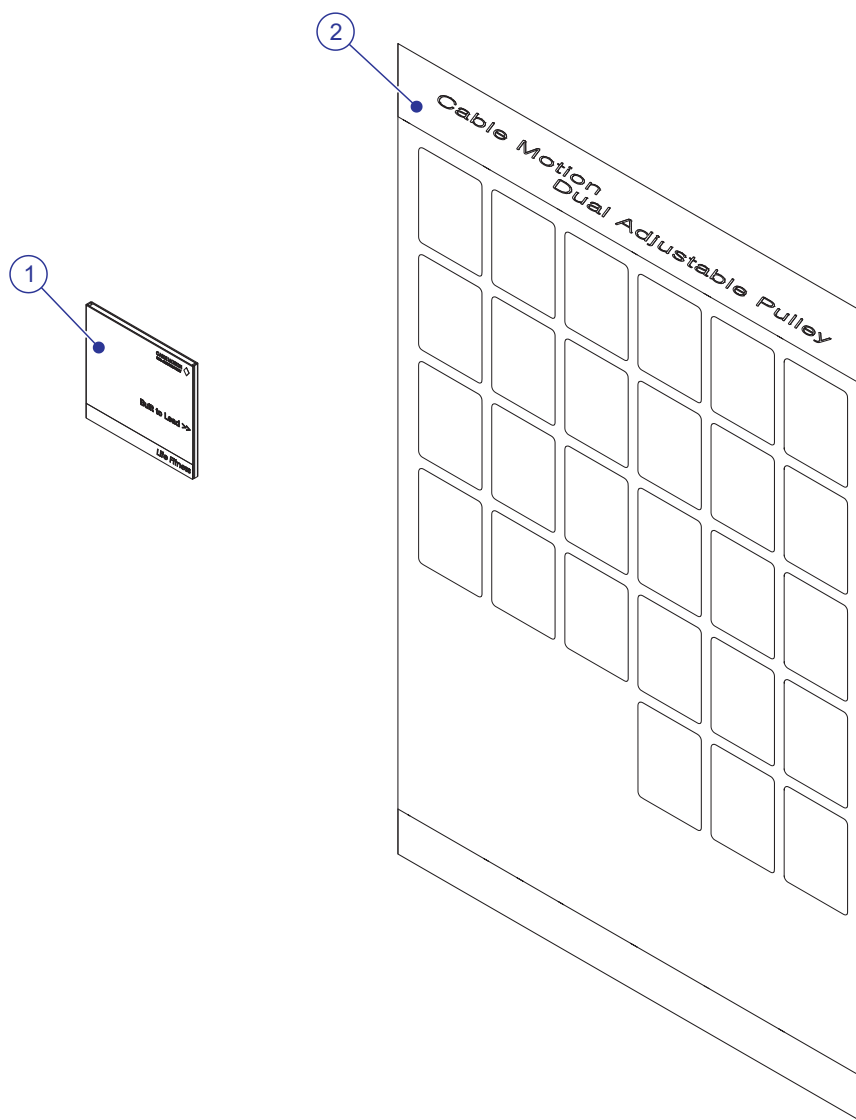
ITEM NO.	QTY.	PART NO.	DESCRIPTION	FRAME COLOR
1	1	7760995	TUBE, 1.00 OD 10GA X 44	-
2	2	7760695	WLDMT, LONG BAR SWIVEL	SG
3	4	7435301	COLLAR, SHAFT 1.020 ID	-
4	4	3104906	1.00" ID 1.25" OD BRONZ BUSHING	-
5	2	3235801	GRIP, 1.25 OD X .125 WALL OPEN END	-
6	2	7662801	RING, GRIP 1.25 OD	-
7	4	3247701	M4 X .7 HXS NO CUP ST BO	-
8	2	3119304	CAP, END 1 DIA RD 10-12GA	-

CMDAP DUAL ADJUSTABLE PULLEY SPORT BAR ASSEMBLY - 7753201



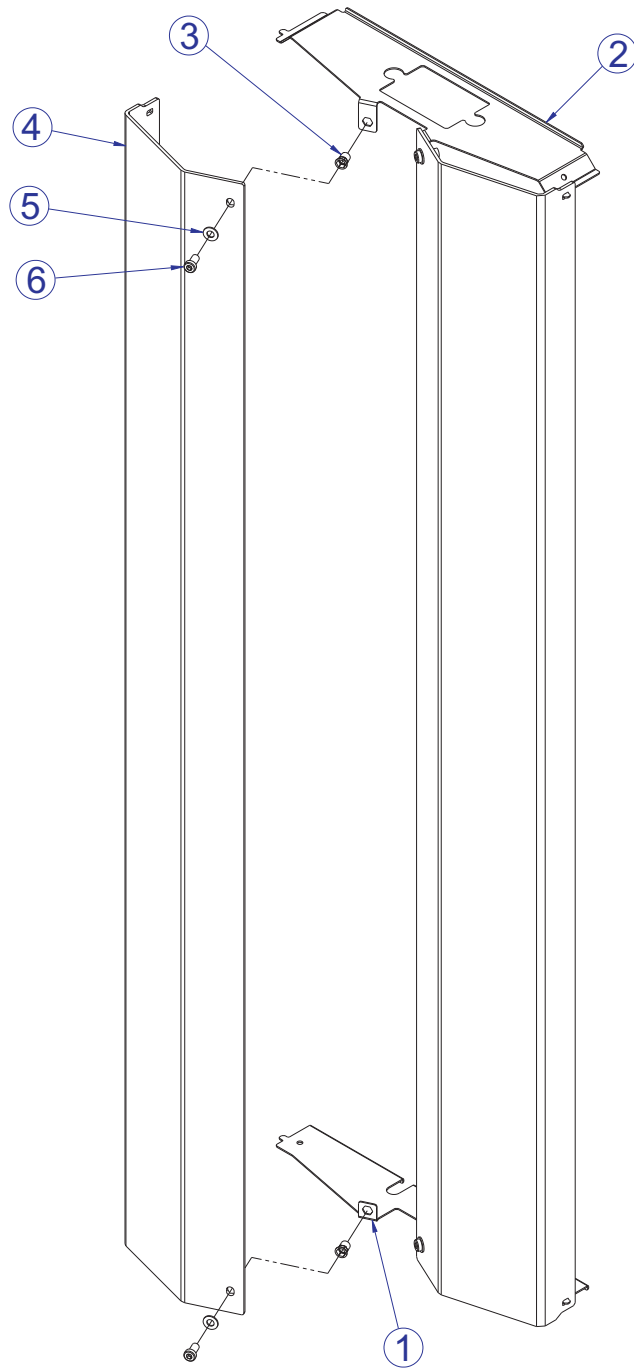
ITEM NO.	QTY.	PART NO.	DESCRIPTION	FRAME COLOR
1	1	7760395	WLDMT, SPORT BAR	SG
2	1	3235801	GRIP, 1.25 OD X .125 WALL OPEN END	-
3	1	7662801	RING, GRIP 1.25 OD	-
4	1	7662901	CAP, GRIP 1.25 OD	-
5	4	3247701	M4 X .7 HXS NO CUP ST BO	-
6	1	3119304	CAP, END 1 DIA RD 10-12GA	-

CMDAP DUAL ADJUSTABLE PULLEY TRAINING AIDES



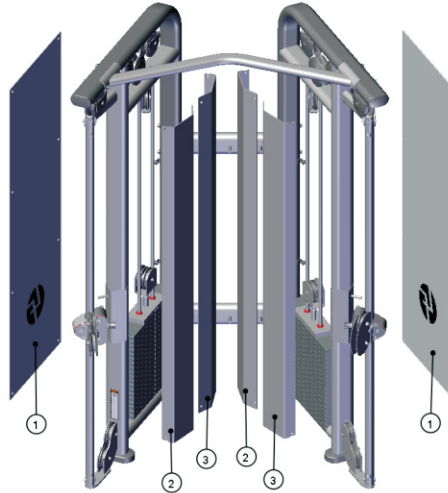
ITEM NO.	QTY.	PART NO.	DESCRIPTION
1	1	7730801	CD-ROM, CMDAP/CMCC
2	1	7762301	POSTER, CMDAP INSTRUCTIONAL

CMDAP DUAL ADJUSTABLE PULLEY OPTIONAL FRONT SHROUD KIT - 7766701

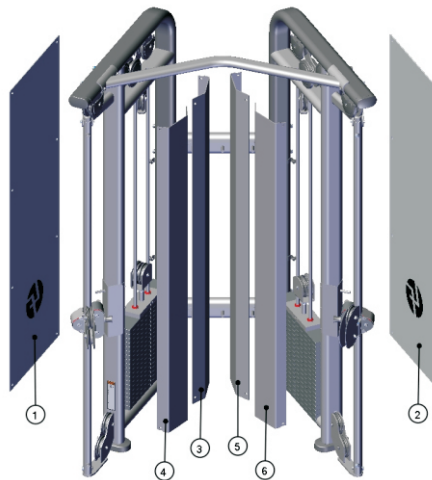


ITEM NO.	QTY.	PART NO.	DESCRIPTION	FRAME COLOR
1	1	7763695	BRKT, SHROUD, CM/MJ BOTTOM SG	-
2	1	7763795	BRKT, SHROUD, CMDAP TOP SG	-
3	4	3238601	M10X1.5 BLIND THREADED INSERT (HEX)	-
4	2	7634001	SHROUD, CM/MJ FRONT	-
5	4	3236601	WASHER, 3/8 SAE SS	-
6	4	3236201	SCREW, M10 X1.5 20MM	-

CMDAP DUAL ADJUSTABLE PULLEY OPTIONAL SHROUD STACKWRAPS (SHROUD + WRAP)



	ITEM NO.	QTY.	PART NO.	DESCRIPTION
BAMBOO	1	2	8951401	SHROUD, CM/MJ, REAR -BAMBOO
	2	2	8954801	SHROUD, CM/MJ, FNT, LT -BAMBOO
	3	2	8951501	SHROUD, CM/MJ, FNT, RT -BAMBOO
BRONZE	1	2	8951801	SHROUD, CM/MJ, REAR -BRONZE
	2	2	8955001	SHROUD, CM/MJ, FNT, LT -BRONZE
	3	2	8951901	SHROUD, CM/MJ, FNT, RT -BRONZE
ROSEWOOD	1	2	8952201	SHROUD, CM/MJ, REAR -ROSEWOOD
	2	2	8955201	SHROUD, CM/MJ, FNT, LT -ROSEWOOD
	3	2	8952301	SHROUD, CM/MJ, FNT, RT -ROSEWOOD
STAINLESS STEEL	1	2	8952401	SHROUD, CM/MJ, REAR -STAINLESS STEEL
	2	2	8955301	SHROUD, CM/MJ, FNT, LT -STAINLESS STEEL
	3	2	8952501	SHROUD, CM/MJ, FNT, RT -STAINLESS STEEL



	ITEM NO.	QTY.	PART NO.	DESCRIPTION
SKY	1	1	8951602	SHROUD, CM/MJ, RT TOWER, REAR -SKY
	2	1	8951601	SHROUD, CM/MJ, LT TOWER, REAR -SKY
	3	1	8951701	SHROUD, CM/MJ, RT TOWER, FNT, RT -SKY
	4	1	8954901	SHROUD, CM/MJ, RT TOWER, FNT, LT -SKY
	5	1	8954902	SHROUD, CM/MJ, LT TOWER, FNT, LT -SKY
	6	1	8951702	SHROUD, CM/MJ, LT TOWER FNT, RT -SKY
STEM	1	1	8952001	SHROUD, CM/MJ, RT TOWER, REAR -STEM
	2	1	8952002	SHROUD, CM/MJ, LT TOWER, REAR -STEM
	3	1	8952102	SHROUD, CM/MJ, RT TOWER, FNT, RT -STEM
	4	1	8955102	SHROUD, CM/MJ, RT TOWER, FNT, LT -STEM
	5	1	8955101	SHROUD, CM/MJ, LT TOWER, FNT, LT -STEM
	6	1	8952101	SHROUD, CM/MJ, LT TOWER, FNT, RT -STEM



CMDAP DUAL ADJUSTABLE PULLEY IMAGE

