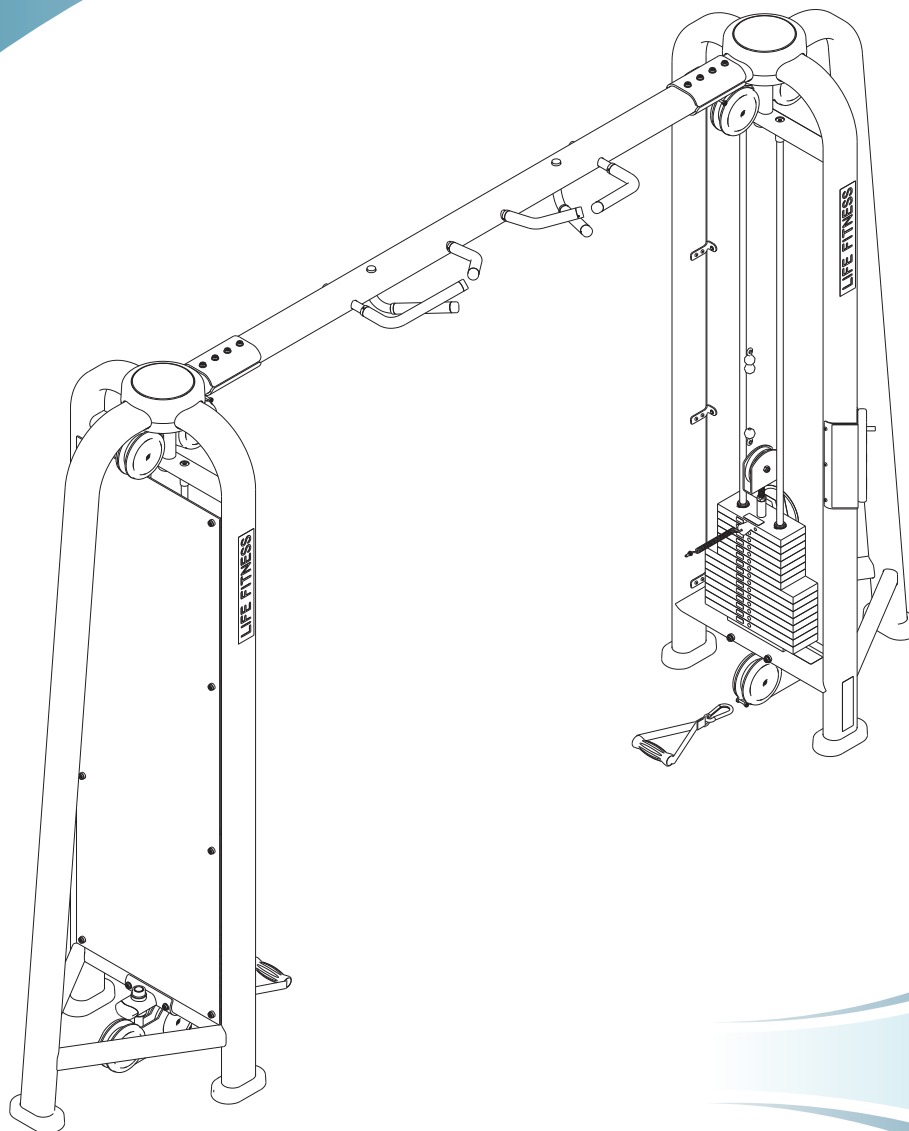


# Signature Series Cable Motion CMFCO Fixed Cross Over

CUSTOMER SUPPORT SERVICES  
Parts List



*LifeFitness*  
WHAT WE LIVE FOR

# CMFCO FIXED CROSSOVER CONTENTS

---

COMPONENT ASSEMBLY ..... 3

TOWER ASSEMBLY ..... 4

TOWER ASSEMBLY LEGEND ..... 5

CROSSOVER BOTTOM ASSEMBLY ..... 6

BEAM ASSEMBLY ..... 7

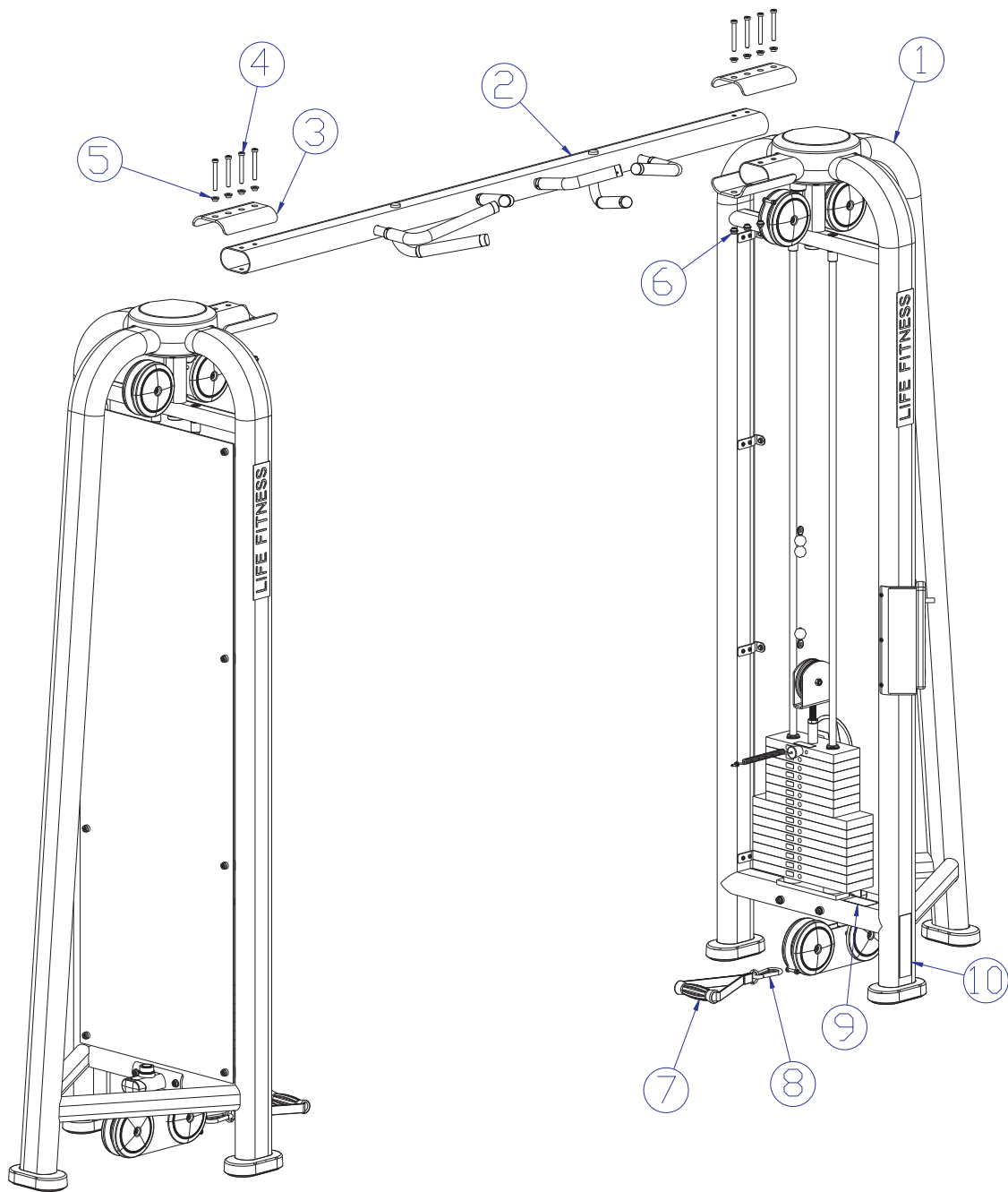
WEIGHT STACK ASSEMBLY ..... 8

ACCESSORIES ..... 9

OWNER'S MANUAL ..... 10

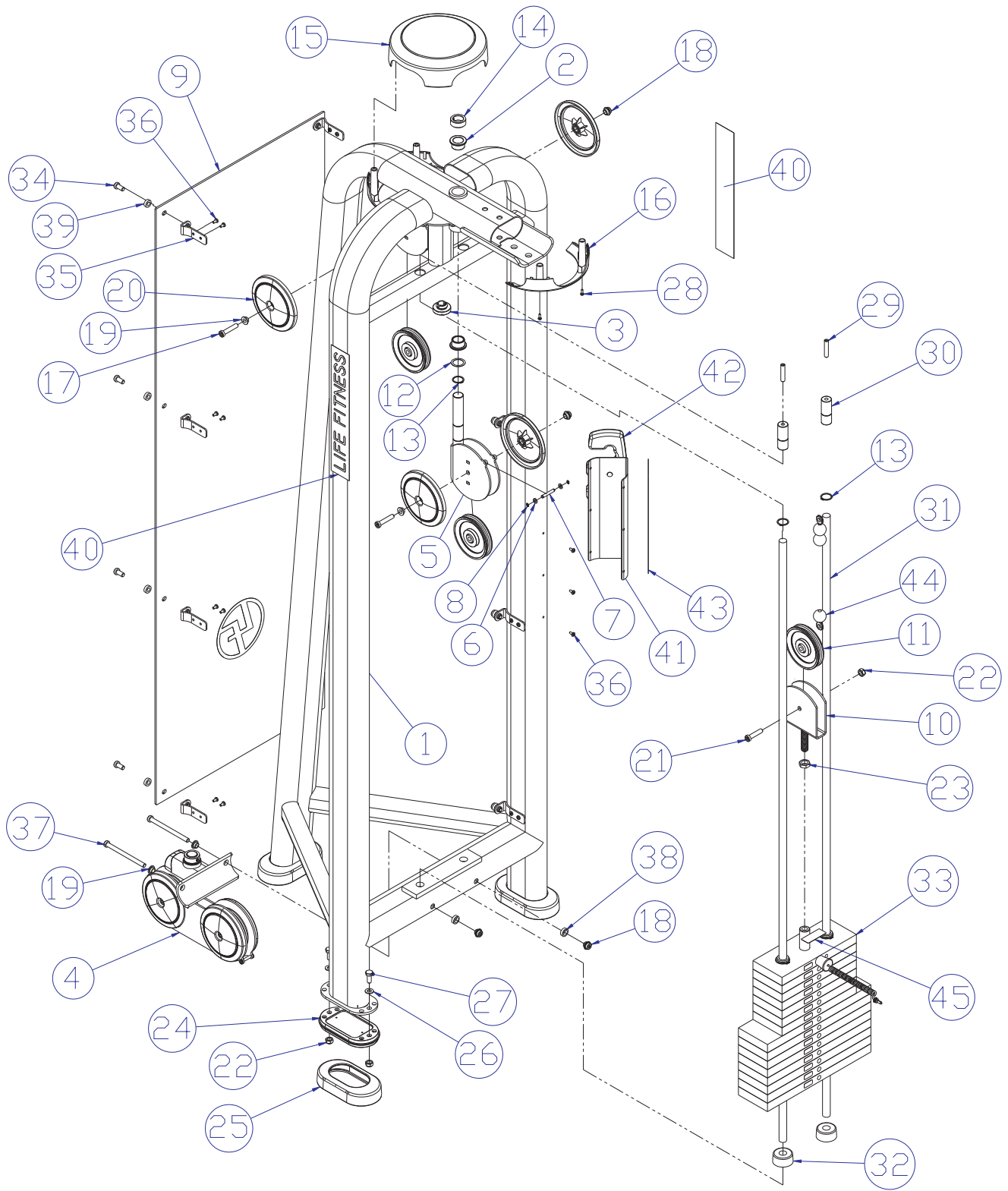
OPTIONAL FRONT SHROUD KIT ..... 11

# CMFCO FIXED CROSSOVER COMPONENT ASSEMBLY



ITEM NO.	QTY.	PART NO.	DESCRIPTION	FRAME COLOR
1	2		ASSY, CM/MJFCO TOWER	ANY
2	1	7640601	ASSY, MJ X-BEAM	ANY
3	2	7633201	BRKT, MJ LRG OVAL	ANY
4	8	3236213	SCREW, M10 X 1.5 80MM	-
5	8	7630101	RETAINER, CM/MJ, PULLEY	-
6	8	7335401	NUT, M10 X 1.5 SOCKET HEAD	-
7	2	8219601	HANDLE, CM/MJ, SHORT STRAP	-
8	2	3250201	SNAP LINK, 3/8" DIA	-
9	2	7571301	LABEL, SERIAL NUMBER	-
10	2	7422004	LABEL, 2" ASTM WARN	-

# CMFCO FIXED CROSSOVER TOWER ASSEMBLY

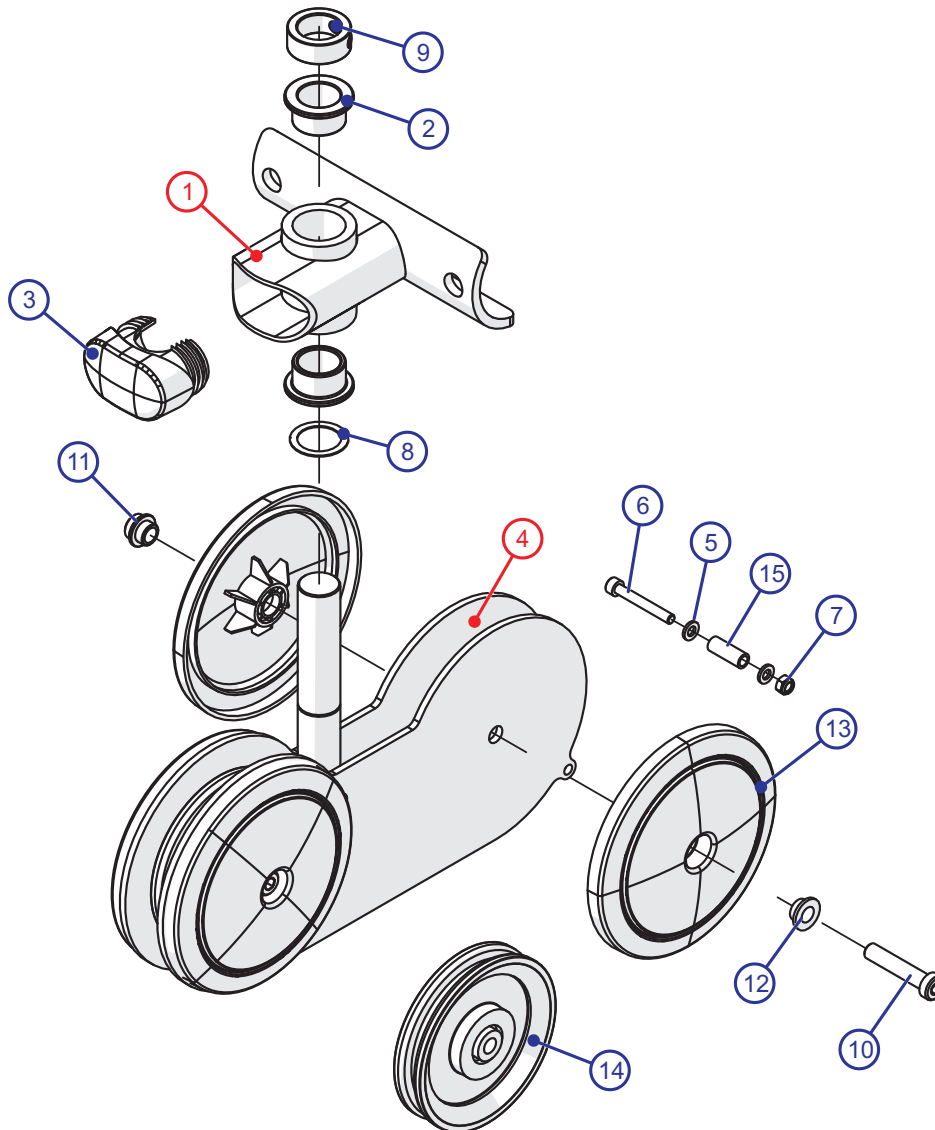


SEE PAGE 5 FOR LEGEND

# CMFCO FIXED CROSSOVER TOWER ASSEMBLY LEGEND

ITEM NO.	QTY.	PART NO.	DESCRIPTION	FRAME COLOR
1	1	7639001	WLDMNT, MJFCO TOWER	ANY
2	2	3104903	1.00" ID 1.25" OD BRONZ BUSHING	-
3	1	7642301	BUMPER, CM/MJ, PLUG	-
4	1	7636101	ASSY, MJ X-OVER BOTTOM	ANY
5	1	7638101	WLDMT, MJ, X-OVER PULLEY	ANY
6	2	3241801	WASHER, FLAT 6MM SS	-
7	1	7641301	SHAFT, CM/MJ, BALL STOP	-
8	2	3232401	RING, RETAINING, EXTERNAL	-
9	1	7642101	SHIELD, CM/MJ REAR	-
10	1	7642295	WLDMNT, CM/MJ STK PULLEY	SG
11	3	3237801	PULLEY, 4.5" OD	-
12	1	3225005	WASHER, 1.031-1.375-031 SPEC ST ZN	-
13	3	3232421	RING, BRE .940, 5100-100 ST PP B	-
14	1	7435301	COLLAR, SHAFT 1.020 ID	-
15	1	7629201	COVER, CENTER TOP	-
16	2	7629801	COVER, CENTER BOTTOM	-
17	2	3236207	SCREW, M10 X1.5 50MM	-
18	4	7335401	NUT, M10 X 1.5 SOCKET HEAD	-
19	4	7630101	RETAINER, CM/MJ, PULLEY	-
20	4	7629901	COVER, PULLEY- BOLTED FULL	-
21	1	3236206	SCREW, M10 X1.5 45MM	-
22	7	3236801	NUT, M10 HEX NYLOCK SS	-
23	1	3236902	NUT, M16 X 2 HEX JAM SS	-
24	3	7334001	FOOT, 2.50 X 4.49 FLOV	-
25	3	7340201	COVER, FOOT - STRAIGHT	-
26	6	3236601	WASHER, 3/8 SAE SS	-
27	6	3251202	SCREW, M10 X1.5 X 25MM UNS HEX CS ST ZN	-
28	4	3236501	M4 X 0.7 PHL PAN MS ST ZN	-
29	2	3240502	M10 X 1.5 X 50 HXS NO CUP ST BO	-
30	2	7634401	RETAINER, CM/MJ, GUIDEROD	-
31	2	7328618	GUIDE ROD, .75 OD SOLID 71.50	-
32	2	7352101	CUSHION, WEIGHT STACK	-
33	1	7647501	ASSY, 190LB STACK	-
34	8	3236201	SCREW, M10 X1.5 20MM	-
35	8	7642001	BRKT, CM/MJ, REAR SHROUD	-
36	22	3239101	SCREW, M5X10 PHL PAN TT ST	-
37	2	3236220	SCREW, M10 X1.5 130MM	-
38	2	7634701	SPACER, CM/MJ, .565 X .815	-
39	8	7385201	SPACER, .406 X .750 X .250	-
40	2	7348001	LABEL, LIFE FITNESS LOGO	-
41	1	7647001	WLDMT, CM/MJ, PLACARD BRKT	ANY
42	1	7711501	WEIGHT, 5 LB. ADD-ON	-
43	1	7733901	LABEL, PLACARD CM/MJ CROSSOVER	-
44	1	7732202	CABLE, CM/MJFCO	-
45	1	7744501	LABEL, WEIGHT AT HANDLE	-

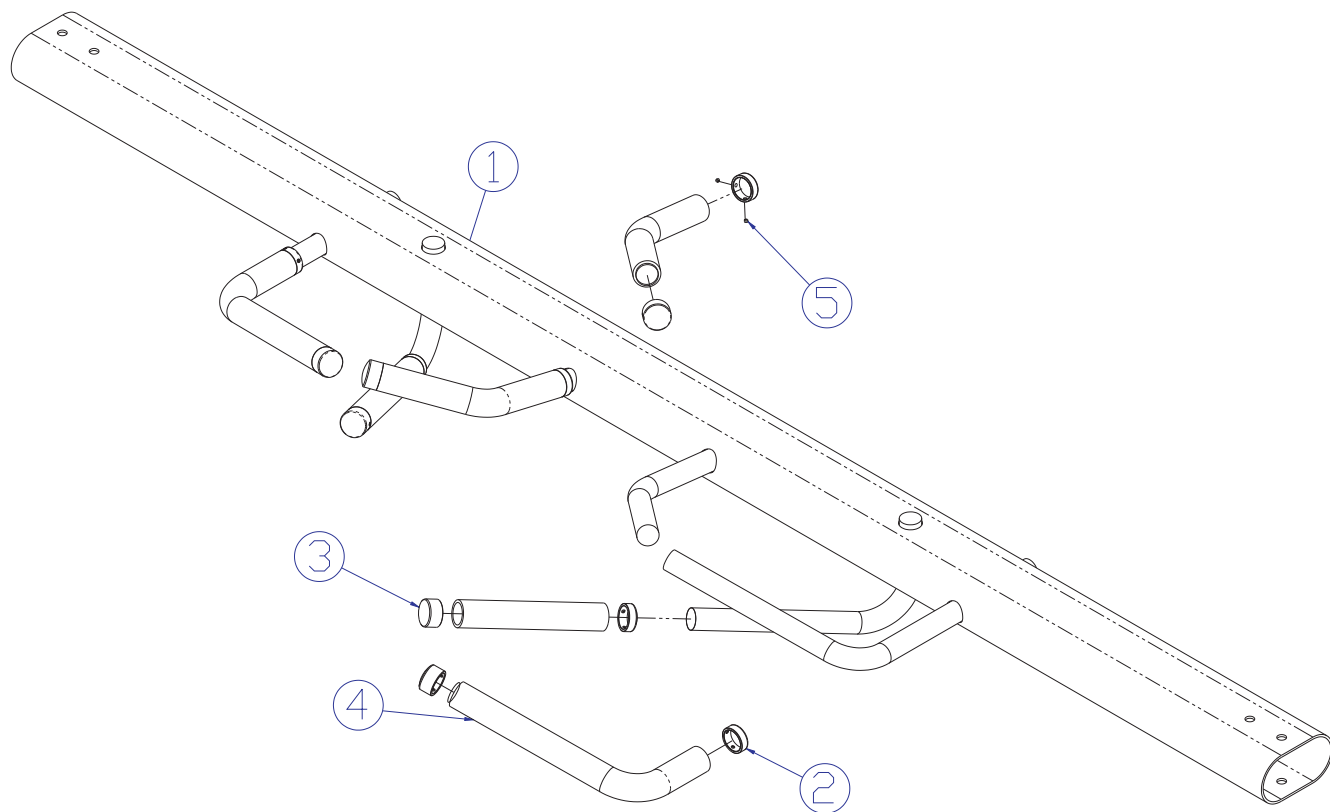
# CMFCO FIXED CROSSOVER CROSSOVER BOTTOM ASSEMBLY - 7636101



ITEM NO.	QTY.	PART NO.	DESCRIPTION	FRAME COLOR
1	1	7635901	WLDMNT, MJFCO/FXO PULLEY SPRT	ANY
2	2	3104903	1.00" ID 1.25" OD BRONZ BUSHING	-
3	1	7333801	CAP, SMALL FLOV- END	-
4	1	7635601	WLDMNT, MJFCO/FXO BOTTOM PULLEY	ANY
5	2	3241801	WASHER, FLAT 6MM SS	-
6	1	3241706	SCREW, M6 X1 45MM	-
7	1	3236802	NUT, M6 HEX NYLOCK SS	-
8	1	3225005	WASHER, 1.031-1.375-031 SPEC ST ZN	-
9	1	7435301	COLLAR, SHAFT 1.020 ID	-
10	2	3236207	SCREW, M10 X1.5 50MM	-
11	2	7335401	NUT, M10 X 1.5 SOCKET HEAD	-
12	2	7630101	RETAINER, CM/MJ, PULLEY	-
13	4	7629901	COVER, PULLEY- BOLTED FULL	-
14	2	3237801	PULLEY, 4.5" OD	-
15	1	8002401	SPACER, CM/MJ PULLEY	-

# CMFCO FIXED CROSSOVER BEAM ASSEMBLY - 7640601

---

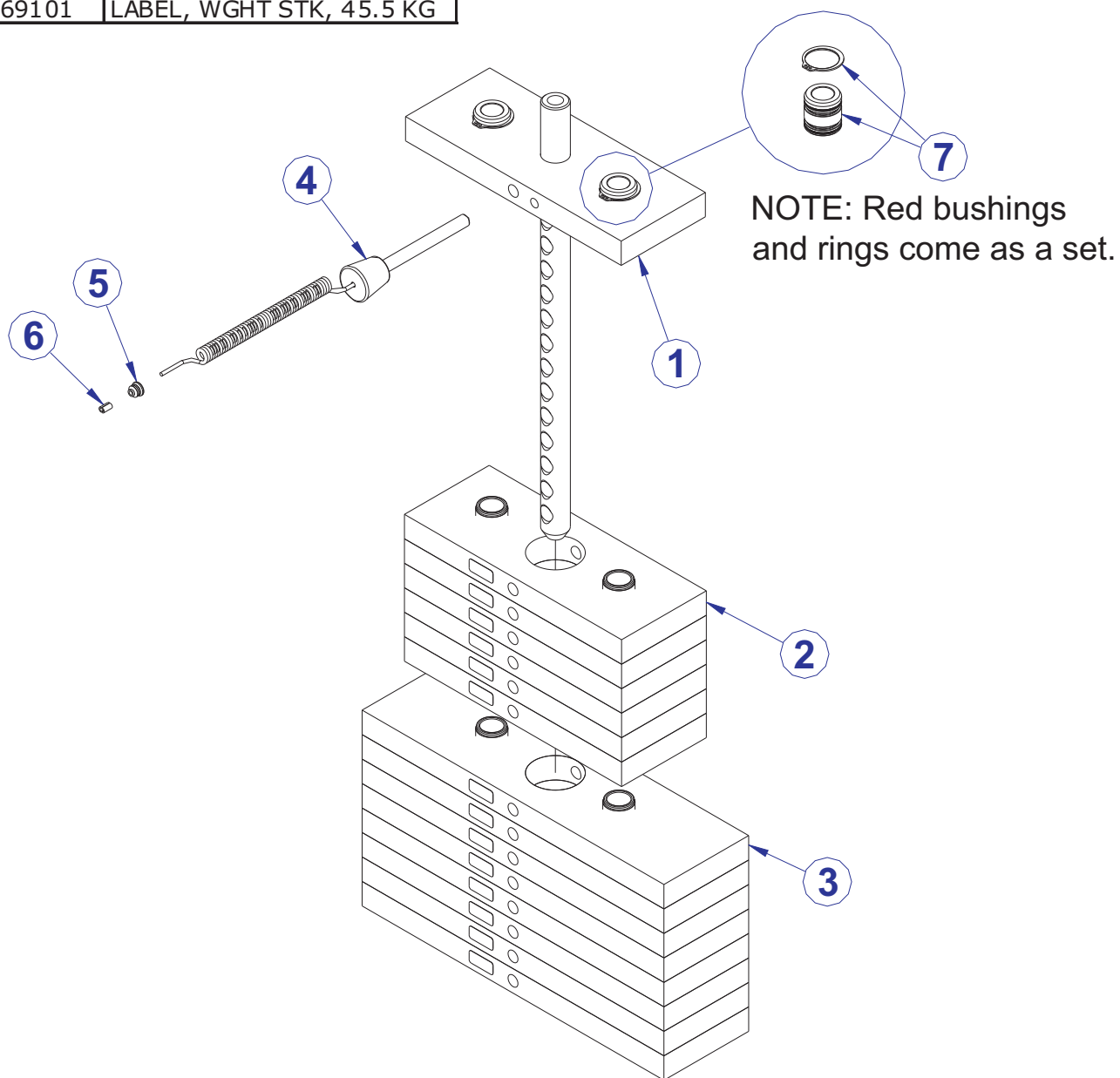


ITEM NO	QTY	PART NO	DESCRIPTION
1	1	7632701	WLDMT, MJ X-BEAM
2	6	7662801	RING, GRIP 1.25 OD
3	6	7662901	CAP, GRIP 1.25 OD
4	6	3235801	GRIP, 1.25 OD OPEN END
5	24	3247701	M4 X 0.7 X 3 HZS NO CUP ST BO

# CMFCO FIXED CROSSOVER WEIGHT STACK ASSEMBLY 190LB - 7647501

## WEIGHT PLATE LABELS

PART NO.	DESCRIPTION
8068901	LABEL, WGHT STK, 95 LBS
8069101	LABEL, WGHT STK, 45.5 KG

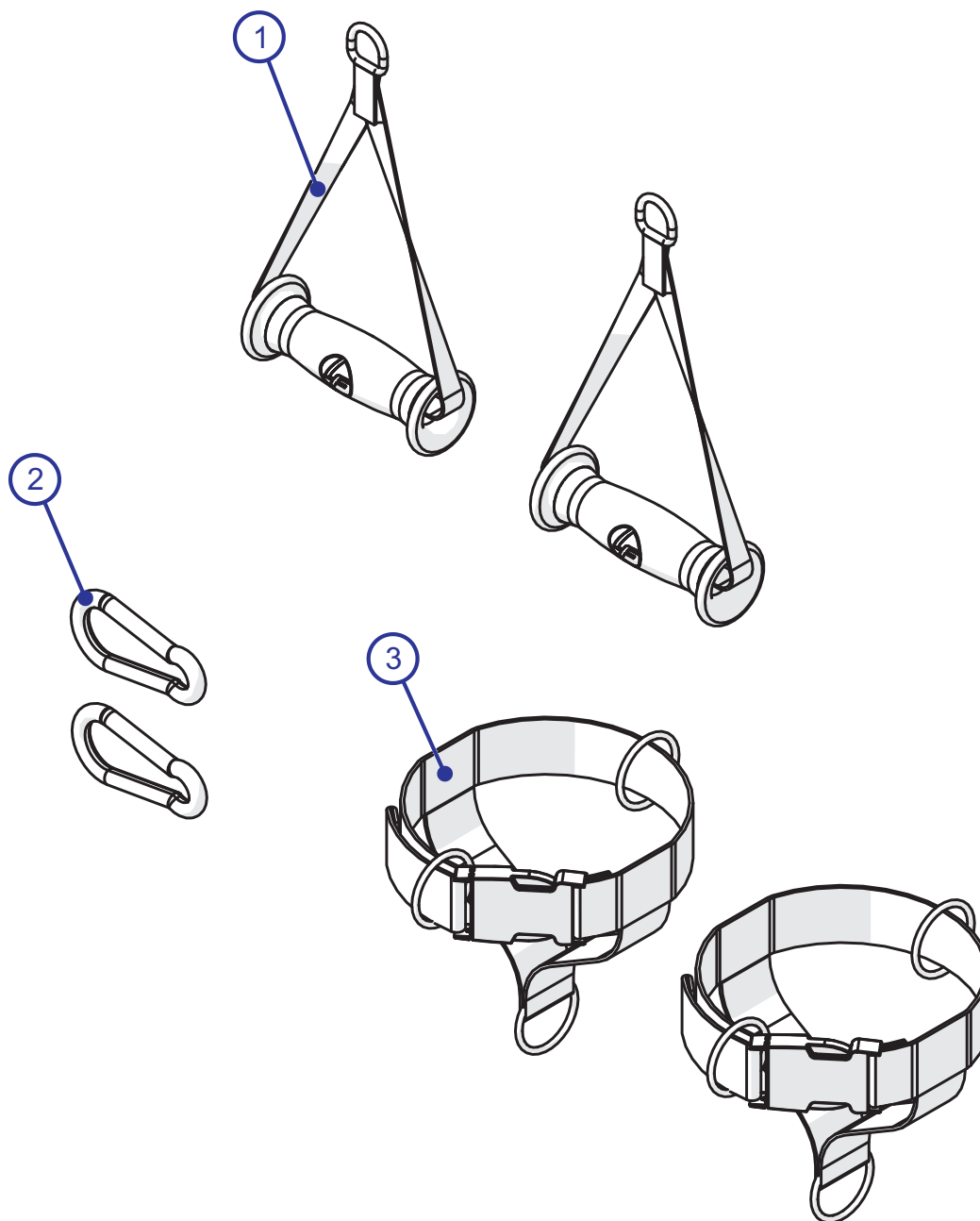


ITEM NO.	QTY.	PART NO.	DESCRIPTION
1	1	8920101	14 HOLE HEAD PLATE/BAYONET SER. KIT ASSY
2	6	7353701	ASSY, 10 LB PLATE
3	8	7353801	ASSY, 15 LB PLATE
4	1	7353001	ASSY, SELECTOR PIN
		8981903	ASSY, WT STACK SELECTOR PIN, SRT - YELLOW
5	1	7356501	PLUG, LANYARD ATTACHMENT
6	1	7523601	CRIMP, CABLE
7	2	7338001	BUSHING, HEADPLATE



# CMFCO FIXED CROSSOVER ACCESSORIES

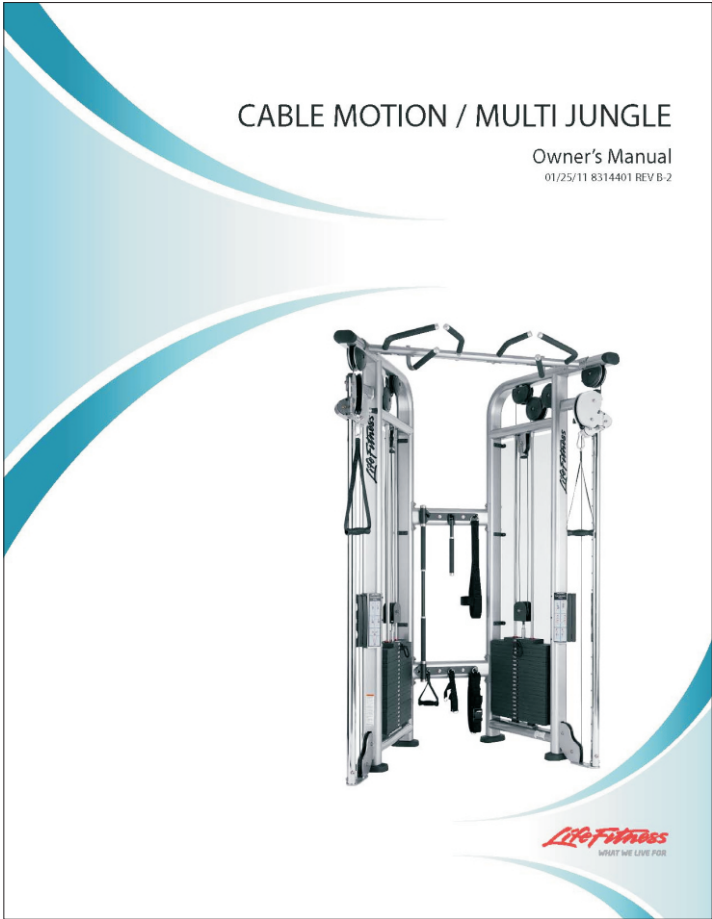
---



ITEM NO.	QTY.	PART NO.	DESCRIPTION
1	2	8219601	HANDLE, CM/MJ/OSDAP, SHORT STRAP
2	2	3250201	SNAP LINK, 3/8 IN. DIA
3	2	7734701	STRAP, 4-WAY ANKLE

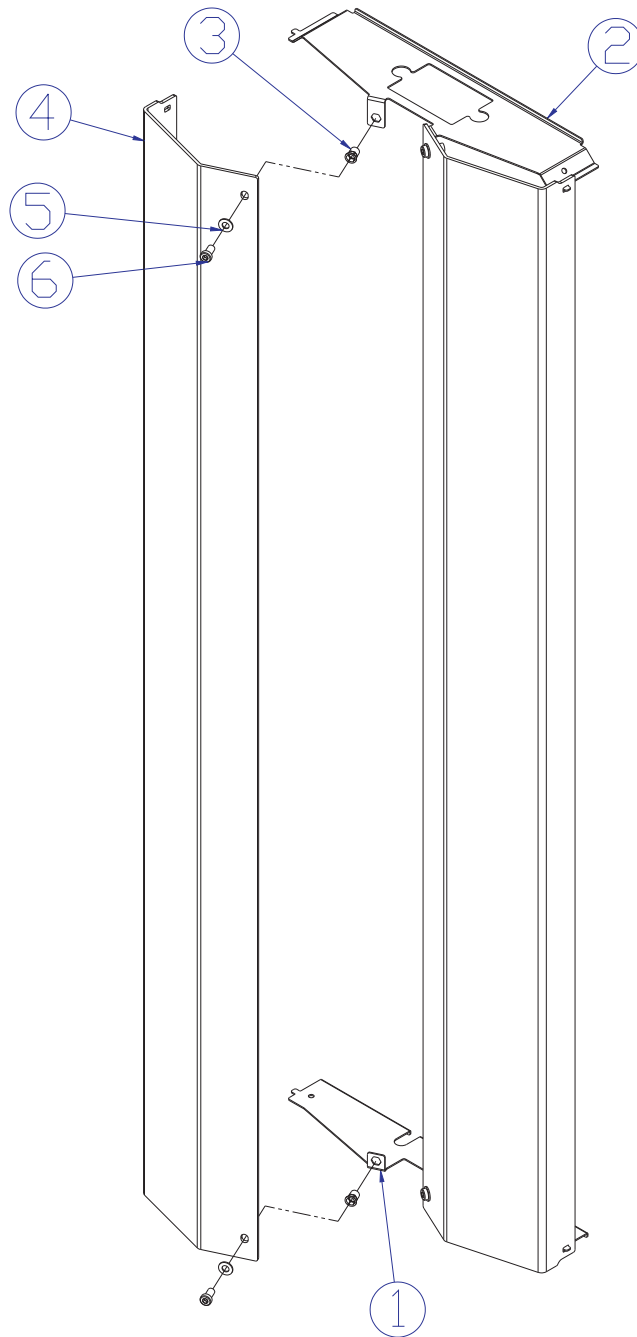
# CMFCO FIXED CROSSOVER OWNER'S MANUAL - 8314401

---



PART NO.	DESCRIPTION
8314401	CABLE MOTION OWNERS MANUAL

# CMFCO FIXED CROSSOVER OPTIONAL FRONT SHROUD KIT - 7766601



ITEM NO	QTY	PART NO	DESCRIPTION
1	1	7763601	BRKT, SHROUD, CM/MJ BOTTOM SG
2	1	7763901	BRKT, SHROUD, CM/MJ TOP SG
3	4	3238601	M10X1.5 BLIND THRD INSERT(HEX)
4	2	7634001	SHROUD, CM/MJ FRONT
5	4	3236601	WASHER,3/8 SAE STAINLESS STEEL
6	4	3236201	M10 X 1.5 X 20 HXS SOC CS SS