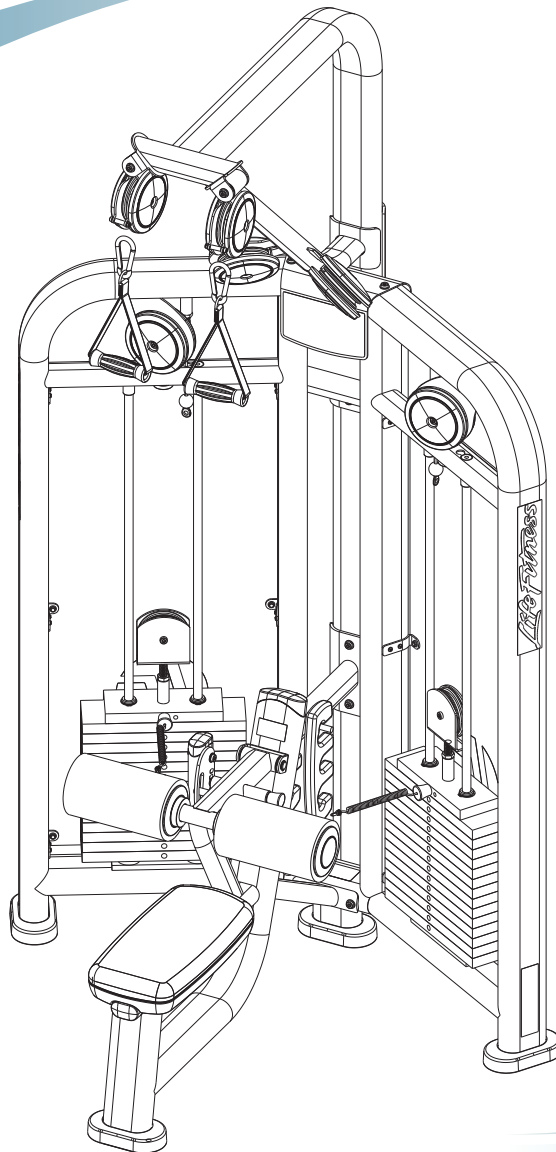


Signature Series Cable Motion Pull-down CMPD

Parts List



CMPD PULL DOWN CONTENTS

FRAME AND UPHOLSTERY COLORS..... 3

COMPONENT ASSEMBLY..... 4

COMPONENT ASSEMBLY LEGEND..... 5

CMPD FRAME ASSEMBLY..... 6

CMPD FRAME ASSEMBLY LEGEND..... 7

CMPD BOOM ASSEMBLY..... 8

CMPD BENCH ASSEMBLY..... 9

LAT BAR ASSEMBLY..... 10

225 LB. WEIGHT STACK ASSEMBLY..... 11

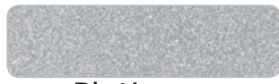
OPTIONAL FRONT SHROUD KIT..... 12

OPTIONAL SHROUD STACKWRAPS..... 13

IMAGE..... 14

CMPD PULL DOWN FRAME AND UPHOLSTERY COLORS

Strength Frame Colors



Platinum



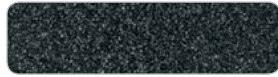
White



Black



Ice Blue Metallic



Midnight Metallic



Nickel



Blue



Red



Yellow



Candy Apple Red

Note: Include frame color in pick-slip notes when ordering frame assemblies or weldments.

Strength Upholstery Colors



American Beauty Red 07



Azure 20



Black 01



Cranberry 04



Graphite 22



Hunter Green 13



Regimental Blue 14



Royal Blue 02



Slate 03



Wheat 21



Burgundy 29



Candy Apple Red 28



Chestnut 34



Concord 16



Crocus 19



Dove Gray 37



Emerald 27



Grotto 25



Gun Metal 39



Imperial Blue 33



Jade 26



Navy 32



Northwoods Green 05



Paprika 35



Plum 30



Putty 38



Space Blue 06



Suede 08



Terra Cotta 36

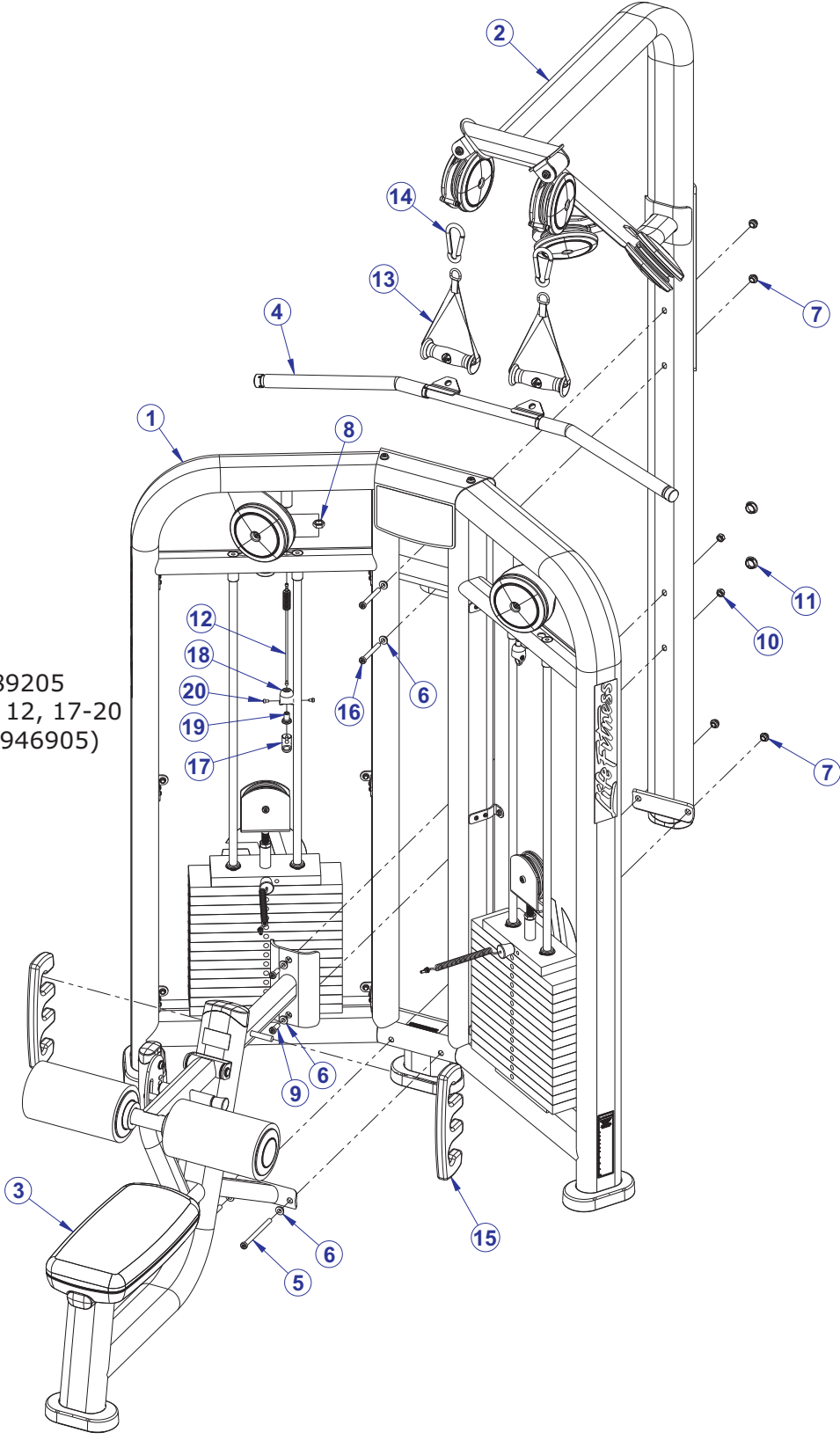


Turquoise 17

Note: Replace XX with above color suffix when ordering pads (ie. 74123XX = 7412301 Black)
Use 99 suffix for custom upholstery.

CMPD PULL DOWN COMPONENT ASSEMBLY

CMPD CABLE KIT - 8989205
KIT INCLUDES: ITEMS 12, 17-20
(CABLE ALONE (12): 8946905)

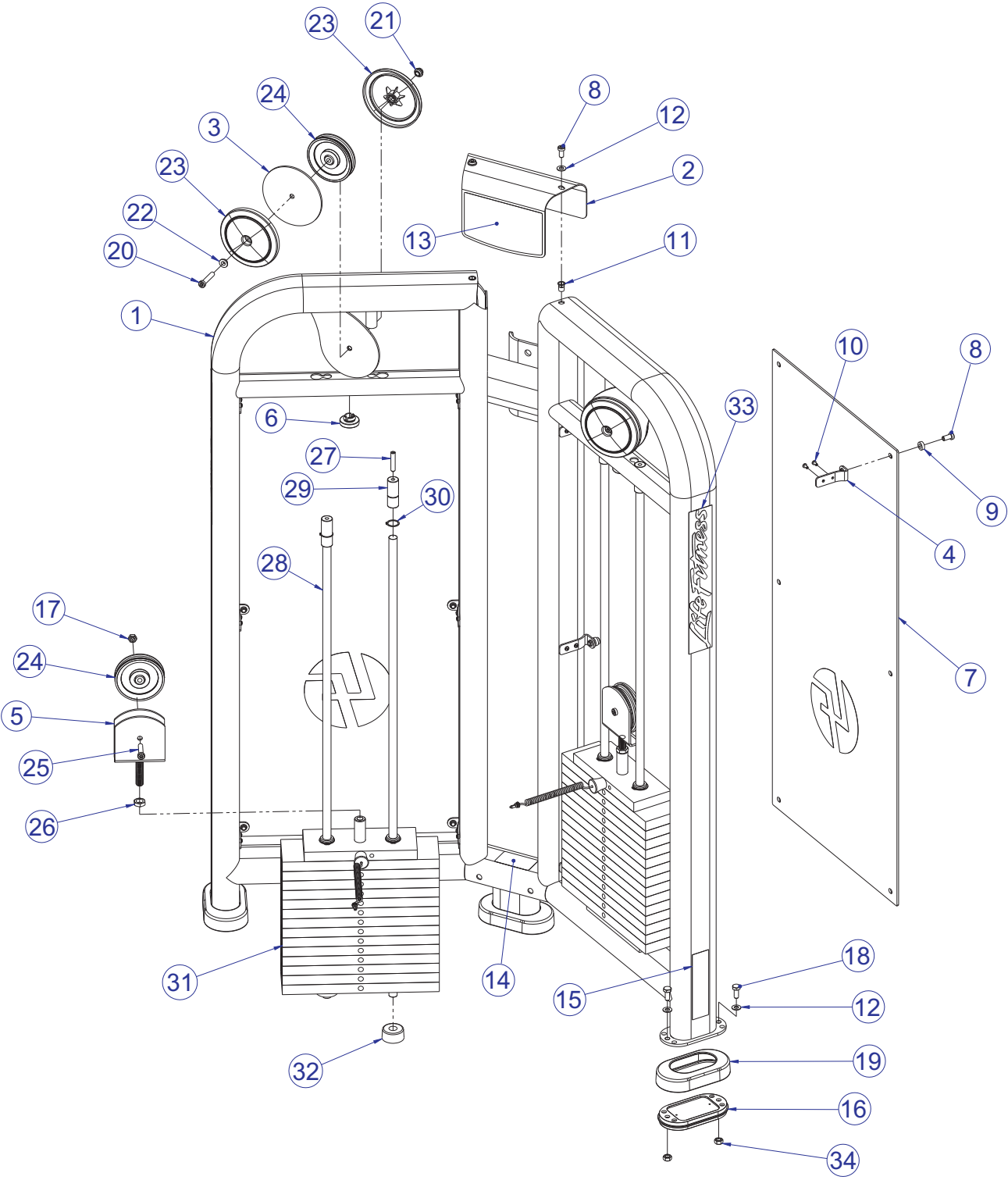


SEE PAGE 5 FOR LEGEND

CMPD PULL DOWN COMPONENT ASSEMBLY LEGEND

ITEM NO.	QTY.	PART NO.	DESCRIPTION	FRAME COLOR
1	1	7772701	ASSY, CMPD FRAME	ANY
2	1	7772601	ASSY, CMPD BOOM	ANY
3	1	7865301	ASSY, CMPD BENCH -GRAY KNOB	ANY
		7865303	ASSY, CMPD BENCH -YELLOW KNOB	
4	1	7773001	ASSY, CMPD LAT BAR	SG
5	2	3236220	SCREW, M10 X1.5 130MM	-
6	6	7630101	RETAINER, CM/MJ, PULLEY	-
7	4	7335401	NUT, M10 X 1.5 SOCKET HEAD	-
8	2	3236902	NUT, HEX JAM M16 X 2 SS	-
9	2	3236202	SCREW, M10 X1.5 25MM	-
10	2	3236801	NUT, M10 HEX NYLOCK SS	-
11	2	3237403	PLUG, 1" HOLE	-
12	2	8989205	KIT, CMPD, CABLE (INCLUDES CABLE AND ENDS)	-
13	2	8219601	HANDLE, CM/MJ, SHORT STRAP	-
14	2	3250201	SNAP LINK, 3/8" DIA	-
15	2	7711501	WEIGHT, 5 LB. ADD-ON	-
16	2	3236213	SCREW, M10 X1.5 80MM	-
17	2	8943601	LINK, CM/MJ, CABLE END	-
18	2	8943701	HSNG, CM/MJ, CABLE END	-
19	2	8943801	INSERT, CM/MJ, CABLE END	-
20	4	3250002	M5 X 0.8 HXS SOC CS ST BZ X 8	-

CMPD PULL DOWN CMPD FRAME ASSEMBLY - 7772701



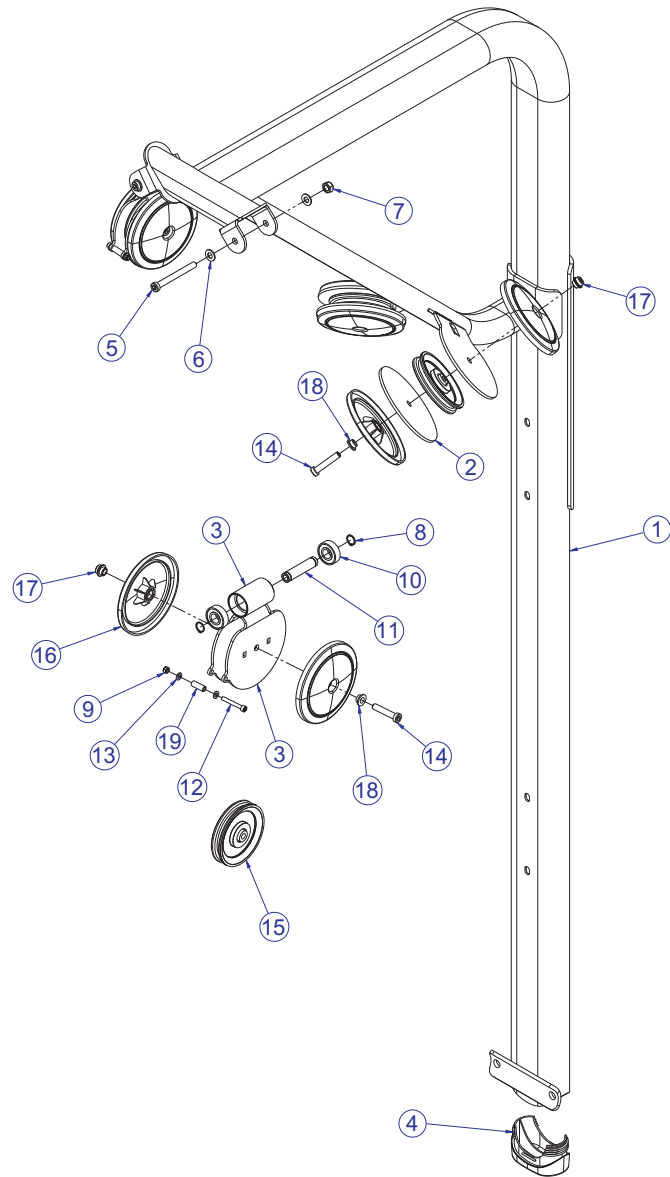
SEE PAGE 7 FOR LEGEND

CMPD PULL DOWN

CMPD FRAME ASSEMBLY LEGEND

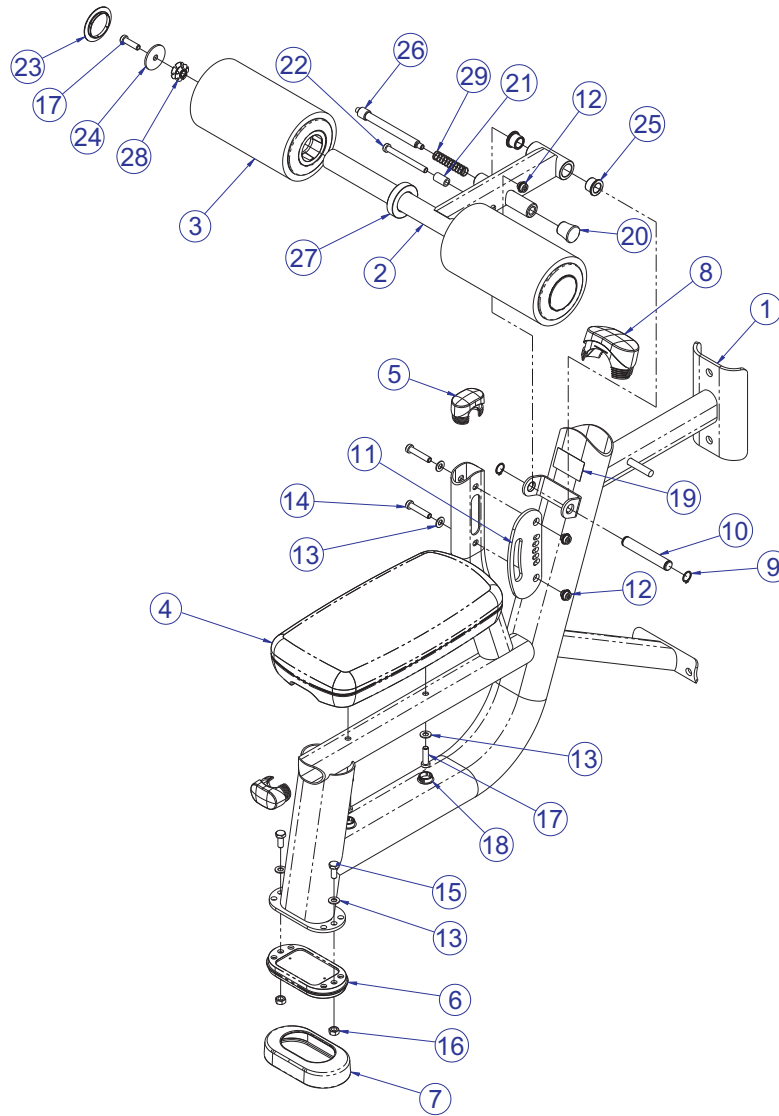
ITEM NO.	QTY.	PART NO.	DESCRIPTION	FRAME COLOR
1	1	7771001	WLDMT, CMPD FRAME	ANY
2	1	7770801	BRKT, CMPD/RW PLACARD	ANY
3	2	7301101	PLATE, PULLEY	ANY
4	12	7642095	BRKT, CM/MJ, REAR SHROUD SG	SG
5	2	7642295	WLDMT, CM/MJ STK PULLEY SG	SG
6	2	7642301	BUMPER, CM/MJ, PLUG	-
7	2	7776102	SHIELD, CM REAR	-
8	14	3236201	SCREW, M10 X1.5 20MM	-
9	12	7385201	SPACER, .406 X .750 X .250	-
10	24	3239101	SCREW, M5X10 PHL PAN TT ST	-
11	2	3238601	M10X1.5 BLIND THREADED INSERT (HEX)	-
12	8	3236601	WASHER, 3/8 SAE SS	-
13	1	7781801	LABEL, PLACARD CMPD-ENGLISH	-
		7781802	LABEL, PLACARD CMPD-GERMAN	-
		7781803	LABEL, PLACARD CMPD-FRENCH	-
		7781804	LABEL, PLACARD CMPD-SPANISH	-
		7781805	LABEL, PLACARD CMPD-ITALIAN	-
		7781806	LABEL, PLACARD CMPD-DUTCH	-
		7781807	LABEL, PLACARD CMPD-JAPANESE	-
		7781808	LABEL, PLACARD CMPD-PORTUGUESE	-
14	1	7571301	LABEL, SERIAL NUMBER	-
15	1	7422004	LABEL, 2" ASTM WARN	-
16	3	7334001	FOOT, 2.50 X 4.49 FLOV	-
17	2	3236801	NUT, M10 HEX NYLOCK SS	-
18	6	3251202	SCREW, M10 X1.5 X 25MM UNS HEX CS ST ZN	-
19	3	7340201	COVER, FOOT - STRAIGHT	-
20	2	3236207	SCREW, M10 X1.5 50MM	-
21	2	7335401	NUT, M10 X 1.5 SOCKET HEAD	-
22	2	7630101	RETAINER, CM/MJ, PULLEY	-
23	4	7629901	COVER, PULLEY- BOLTED FULL	-
24	4	3237801	PULLEY, 4.5" OD	-
25	2	3236206	SCREW, M10 X1.5 45MM	-
26	2	3236902	NUT, M16 X 2 HEX JAM SS	-
27	4	3240502	M10 X 1.5 X 50 HXS NO CUP ST BO	-
28	4	7328601	GUIDE ROD, .75 OD SOLID 48.38	-
29	4	7634401	RETAINER, CM/MJ, GUIDEROD	-
30	4	3232421	RING, BRE .940, 5100-100 ST PP B	-
31	2	7574101	ASSY, 225LB STACK	-
32	4	7352101	CUSHION, WEIGHT STACK	-
33	2	7348001	LABEL, LIFE FITNESS LOGO	-
34	6	3254703	NUT, M10 X 1.5 HEX ZINC	-

CMPD PULL DOWN CMPD BOOM ASSEMBLY - 7772601



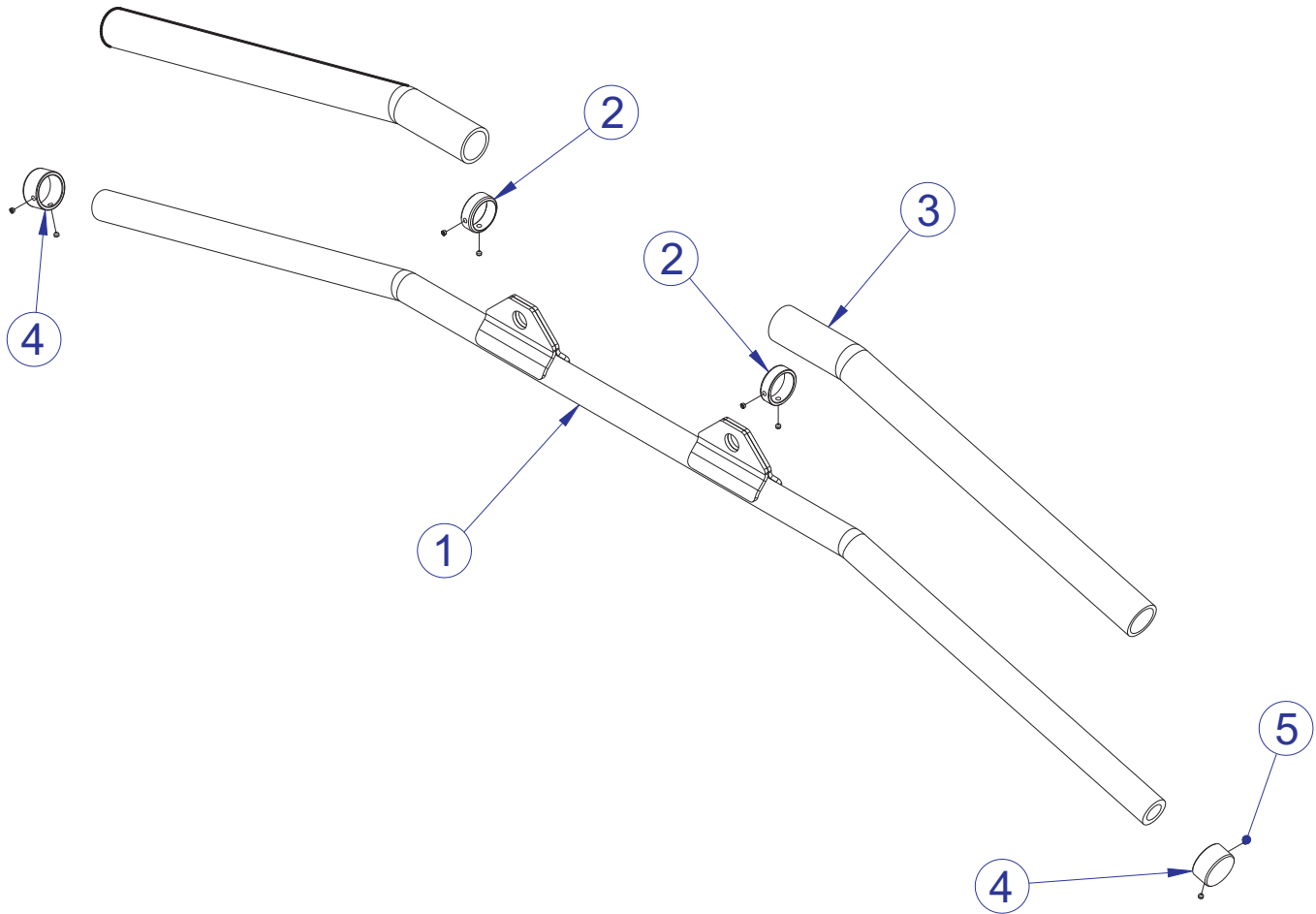
ITEM NO.	QTY.	PART NO.	DESCRIPTION	FRAME COLOR
1	1	7771901	WLDMT, CMPD BOOM	ANY
2	2	7301101	PLATE, PULLEY	ANY
3	2	7634601	WLDMT, CM/MJ, SWIVEL PULLEY	ANY
4	1	7333901	CAP, LARGE FLOV- END	-
5	2	3236217	SCREW, M10 X1.5 100MM	-
6	4	3236601	WASHER, 3/8 SAE SS	-
7	2	3236801	NUT, M10 HEX NYLOCK SS	-
8	4	3232413	RING, BRE .588, 5100-62, ST PP B	-
9	2	3236802	NUT, M6 HEX NYLOCK SS	-
10	4	3245901	BEARING, 6203	-
11	2	7645401	SHAFT, CM/MJ, 6203 BRNG	-
12	2	3241706	SCREW, M6 X1 45MM	-
13	4	3241801	WASHER, FLAT 6MM SS	-
14	4	3236207	SCREW, M10 X1.5 50MM	-
15	4	3237801	PULLEY, 4.5" OD	-
16	8	7629901	COVER, PULLEY- BOLTED FULL	-
17	4	7335401	NUT, M10 X 1.5 SOCKET HEAD	-
18	4	7630101	RETAINER, CM/MJ, PULLEY	-
19	2	8002401	SPACER, CM/MJ PULLEY	-

CMPD PULL DOWN CMPD BENCH ASSEMBLY - 78653XX



ITEM NO.	QTY.	PART NO.	DESCRIPTION	FRAME COLOR
1	1	7860401	WLDMT, CMPD BENCH	ANY
2	1	7632601	WLDMT, MJLP/LPD HOLD DOWN	ANY
3	2	74247XX	ASSY, ROLLER PAD - SHORT	ANY
4	1	74689XX	PAD 18 X 9 CONVEX	-
5	2	7333801	CAP, SMALL FLOV- END	-
6	1	7334001	FOOT, 2.50 X 4.49 FLOV	-
7	1	7419701	COVER, FOOT 10 DEG	-
8	1	7333901	CAP, LARGE FLOV- END	-
9	2	3232415	RING, BRE .704, 5100-75 ST PP B	-
10	1	7633702	SHAFT, CM/MJ, PIVOT	-
11	1	7633601	PLATE, MJLP/LPD, ADJUST	-
12	3	7335401	NUT, M10 X 1.5 SOCKET HEAD	-
13	6	3236601	WASHER, 3/8 SAE SS	-
14	2	3236207	SCREW, M10 X1.5 50MM	-
15	2	3251202	SCREW, M10 X1.5 X 25MM UNS HEX CS ST ZN	-
16	2	3254703	NUT, M10 X 1.5 HEX ZINC	-
17	4	3236204	SCREW, M10 X1.5 35MM	-
18	2	3237403	PLUG, 1" HOLE	-
19	1	7422003	LABEL, MOVING PARTS	-
20	1	7351401	KNOB, TULIP STYLE	-
		7424803	KNOB, POP PIN, YELLOW	-
21	1	7634501	SPACER, CM/MJ, .406 X .630 X 1.06	-
22	1	3236217	SCREW, M10 X1.5 100MM	-
23	2	7308701	CAP, BEARING HOUSING	-
24	2	7322301	PLATE, 1.97 OD X .44 ID 10GA	-
25	2	3104901	.75" ID 1.00" OD BRONZE BUSHING	-
26	1	7425102	PIN, PULL X 6.75	-
27	2	7357901	SHAFT COLLAR, 1-1/2" ID ALUM	-
28	2	7347301	NUT, SPIDER M10 X 1.5	-
29	1	7351501	SPRING; PULL PIN LARGE	-

CMPD PULL DOWN LAT BAR ASSEMBLY - 7773001

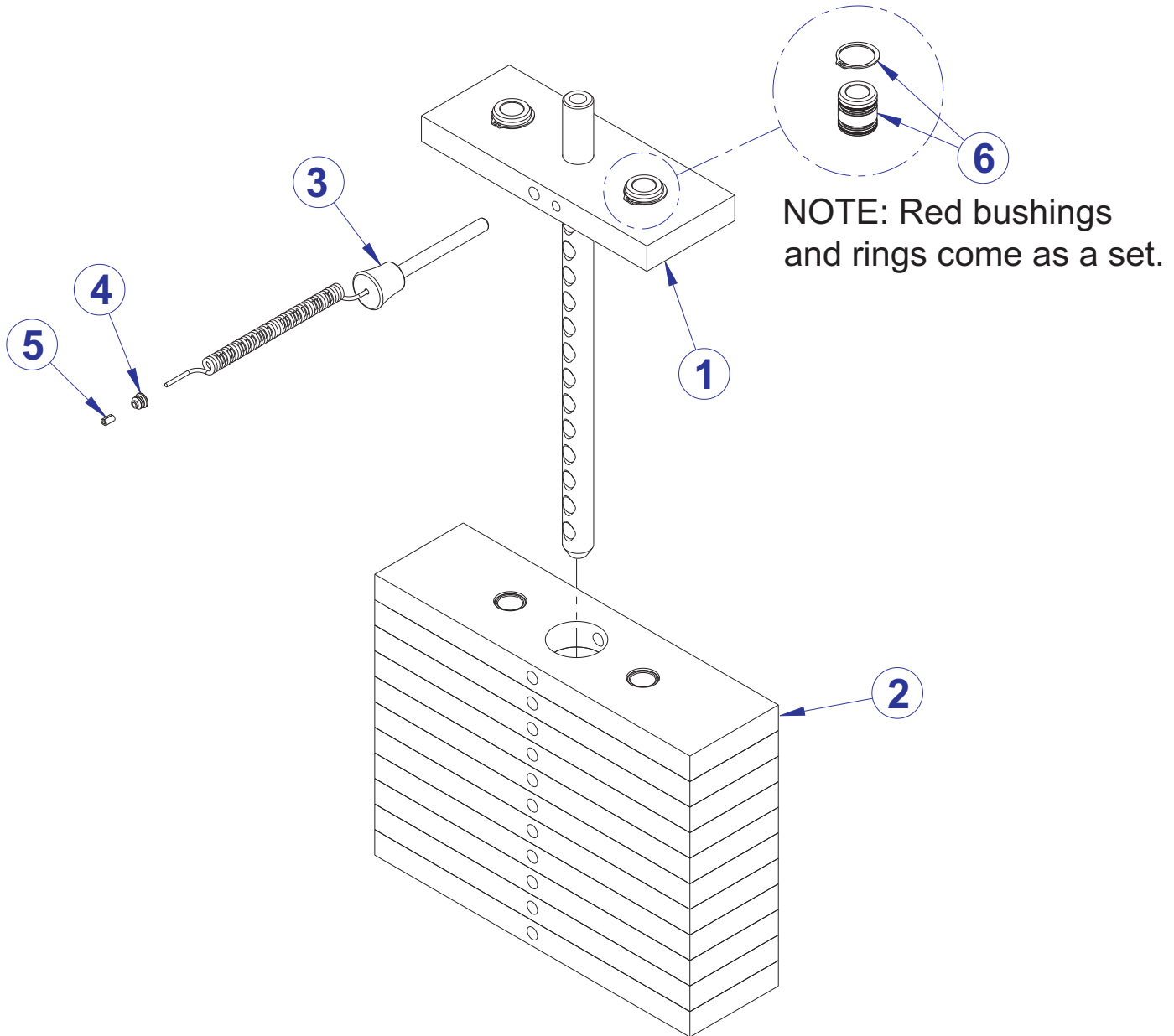


ITEM NO.	QTY.	PART NO.	DESCRIPTION	FRAME COLOR
1	1	7773001	ASSY, CMPD LAT BAR	SG
2	2	7662801	RING, GRIP 1.25 OD	-
3	2	3235801	GRIP, 1.25 OD	-
4	2	7662901	CAP, GRIP 1.25 OD	-
5	8	3247701	M4 X .7 HXS NO CUP ST BO	-

CMPD PULL DOWN 225 LB. WEIGHT STACK ASSEMBLY - 7574101

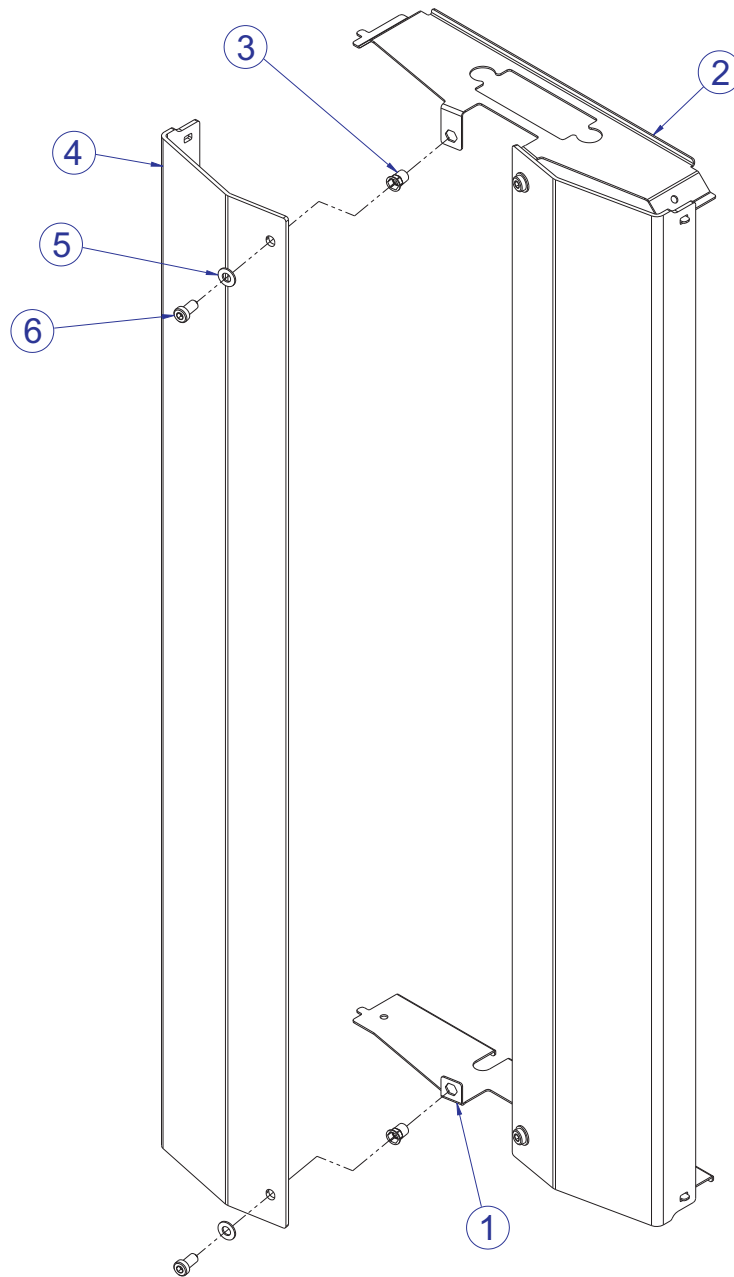
WEIGHT STACK LABELS

PART NO.	DESCRIPTION
8069401	LABEL, WGHT STK, 110 LBS
8069501	LABEL, WGHT STK, 51.5 KG



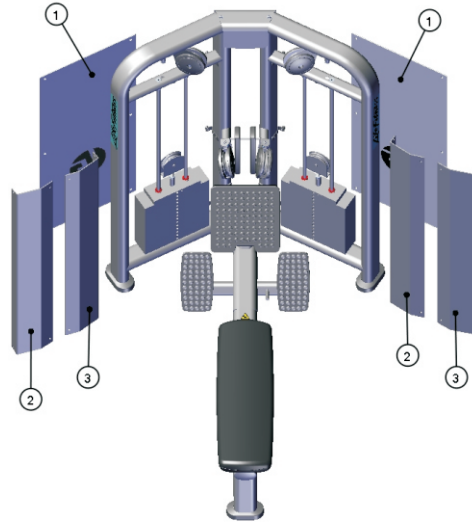
ITEM NO.	QTY.	PART NO.	DESCRIPTION
1	1	8920101	14 HOLE HEAD PLATE/BAYONET SER. KIT ASSY
2	14	7353801	ASSY, 15 LB PLATE
3	1	7353001	ASSY, SELECTOR PIN
		8981903	ASSY, WT STACK SELECTOR PIN, SRT - YELLOW
4	1	7356501	PLUG, LANYARD ATTACHMENT
5	1	7523601	CRIMP, CABLE
6	2	7338001	BUSHING, HEADPLATE





CMPD PULL DOWN OPTIONAL FRONT SHROUD KIT - 7782201

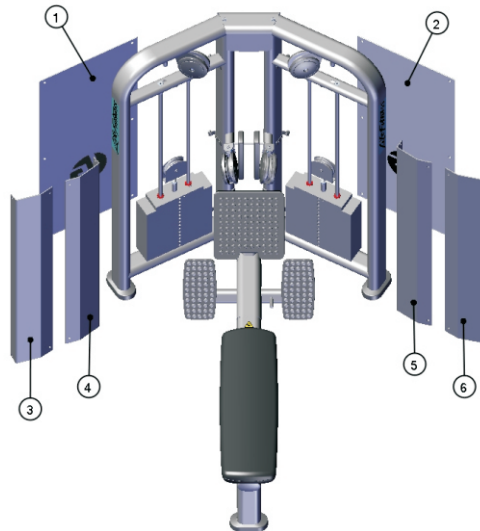




ITEM NO.	QTY.	PART NO.	DESCRIPTION	FRAME COLOR
1	1	7773395	BRKT, SHIELD, CM BOTTOM SG	SG
2	1	7773495	BRKT, SHIELD, CM TOP SG	SG
3	4	3238601	M10X1.5 BLIND THREADED INSERT (HEX)	-
4	2	7773202	SHIELD, CM FRONT 49.20"	-
5	4	3236601	WASHER, 3/8 SAE SS	-
6	4	3236201	SCREW, M10 X1.5 20MM	-

CMPD PULL DOWN OPTIONAL SHROUD STACKWRAPS (SHROUD + WRAP)



	ITEM NO.	QTY.	PART NO.	DESCRIPTION
	BAMBOO	1	2	8961002 SHROUD, CM, REAR, TALL -BAMBOO
	2	2	8961102	SHROUD, CM, FNT, TALL, RT -BAMBOO
	3	2	8961202	SHROUD, CM, FNT, TALL, LT -BAMBOO
	BRONZE	1	2	8961602 SHROUD, CM, REAR, TALL -BRONZE
	2	2	8961702	SHROUD, CM, FNT, TALL, RT -BRONZE
	3	2	8961802	SHROUD, CM, FNT, TALL, LT -BRONZE
	ROSEWOOD	1	2	8962202 SHROUD, CM, REAR, TALL -ROSEWOOD
	2	2	8962302	SHROUD, CM, FNT, TALL, RT -ROSEWOOD
	3	2	8962402	SHROUD, CM, FNT, TALL, LT -ROSEWOOD
	STAINLESS STEEL	1	2	8962502 SHROUD, CM, REAR, TALL -STAINLESS STEEL
	2	2	8962602	SHROUD, CM, FNT, TALL, RT -STAINLESS STEEL
	3	2	8962702	SHROUD, CM, FNT, TALL, LT -STAINLESS STEEL



	ITEM NO.	QTY.	PART NO.	DESCRIPTION
	SKY	1	1	8961304 SHROUD, CM, RT TOWER, REAR, TLL -SKY
	2	1	8961302	SHROUD, CM, LT TOWER, REAR, TLL -SKY
	3	1	8961502	SHROUD, CM, RT TOWER, FNT, LT, TLL -SKY
	4	1	8961402	SHROUD, CM, RT TOWER, FNT, RT, TLL -SKY
	5	1	8961504	SHROUD, CM, LT TOWER, FNT, LT, TLL -SKY
	6	1	8961404	SHROUD, CM, LT TOWER, FNT, RT, TLL -SKY
	STEM	1	1	8961902 SHROUD, CM, RT TOWER, REAR, TLL -STEM
	2	1	8961904	SHROUD, CM, LT TOWER, REAR, TLL -STEM
	3	1	8962104	SHROUD, CM, RT TOWER, FNT, LT, TLL -STEM
	4	1	8962004	SHROUD, CM, RT TOWER, FNT, RT, TLL -STEM
	5	1	8962102	SHROUD, CM, LT TOWER, FNT, LT, TLL -STEM
	6	1	8962002	SHROUD, CM, LT TOWER, FNT, RT, TLL -STEM

CMPD PULL DOWN IMAGE

