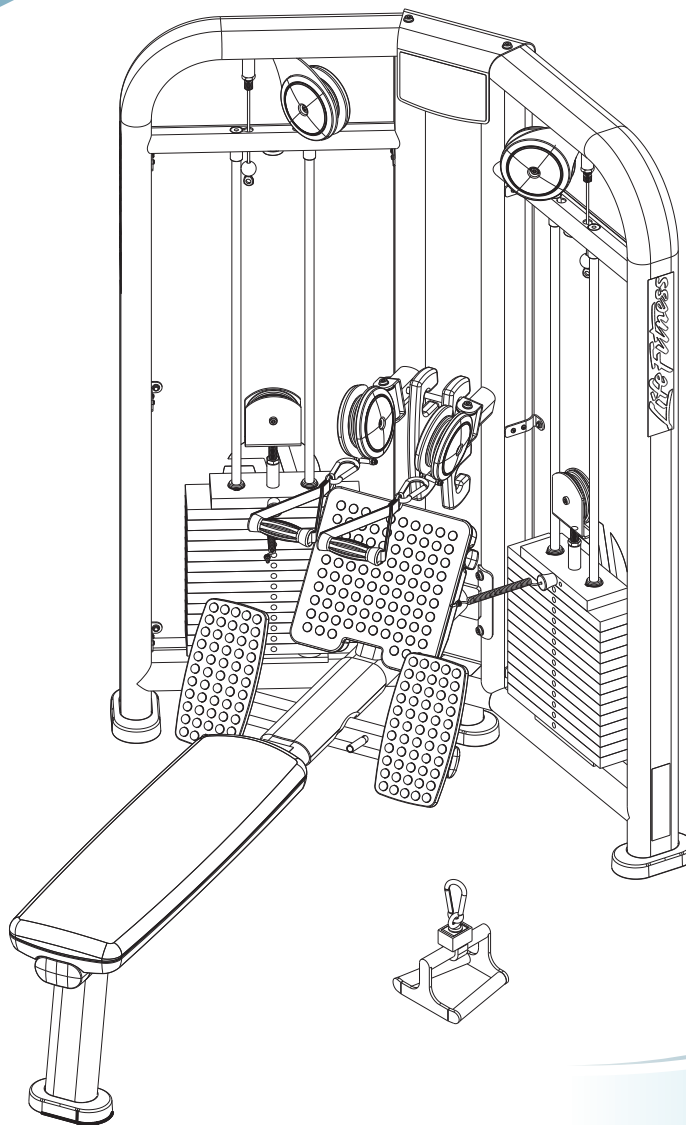


Signature Series Cable Motion Row CMRW

Parts List



Life Fitness
WHAT WE LIVE FOR

CMRW CABLE MOTION ROW CONTENTS

FRAME AND UPHOLSTERY COLORS..... 3

COMPONENT ASSEMBLY..... 4

FRAME ASSEMBLY..... 5

FRAME ASSEMBLY LEGEND..... 6

BENCH ASSEMBLY..... 7

255 LB. WEIGHT STACK ASSEMBLY..... 8

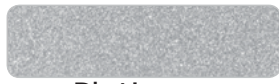
OPTIONAL FULL SHROUD ASSEMBLY..... 9

OPTIONAL SHROUD STACKWRAPS..... 10

IMAGE..... 11

CMRW CABLE MOTION ROW FRAME AND UPHOLSTERY COLORS

Strength Frame Colors



Platinum



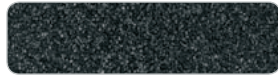
White



Black



Ice Blue Metallic



Midnight Metallic



Nickel



Blue



Red



Yellow



Candy Apple Red

Note: Include frame color in pick-slip notes when ordering frame assemblies or weldments.

Strength Upholstery Colors



American Beauty Red 07



Azure 20



Black 01



Cranberry 04



Graphite 22



Hunter Green 13



Regimental Blue 14



Royal Blue 02



Slate 03



Wheat 21



Burgundy 29



Candy Apple Red 28



Chestnut 34



Concord 16



Crocus 19



Dove Gray 37



Emerald 27



Grotto 25



Gun Metal 39



Imperial Blue 33



Jade 26



Navy 32



Northwoods Green 05



Paprika 35



Plum 30



Putty 38



Space Blue 06



Suede 08



Terra Cotta 36

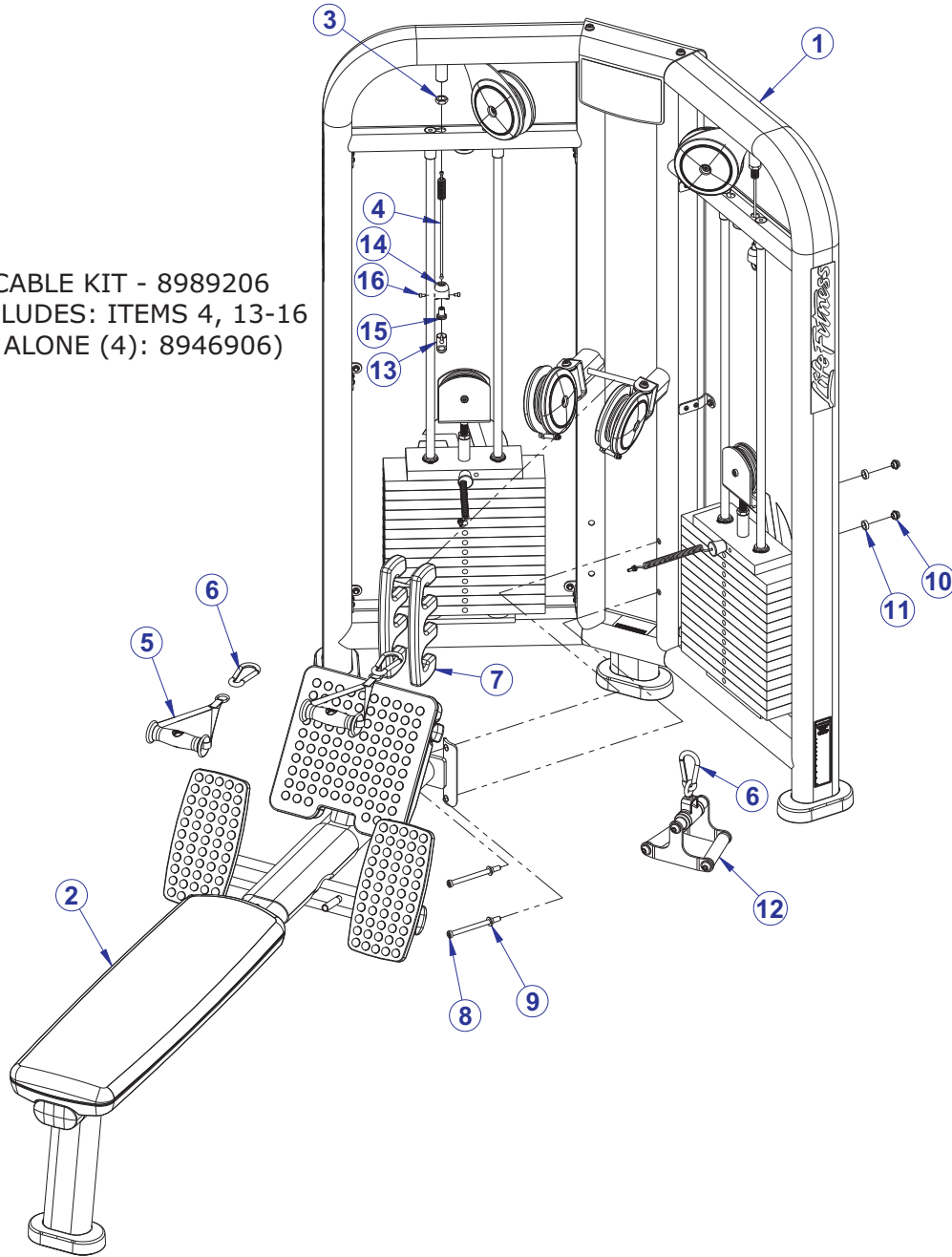


Turquoise 17

Note: Replace XX with above color suffix when ordering pads (ie. 74123XX = 7412301 Black)
Use 99 suffix for custom upholstery.

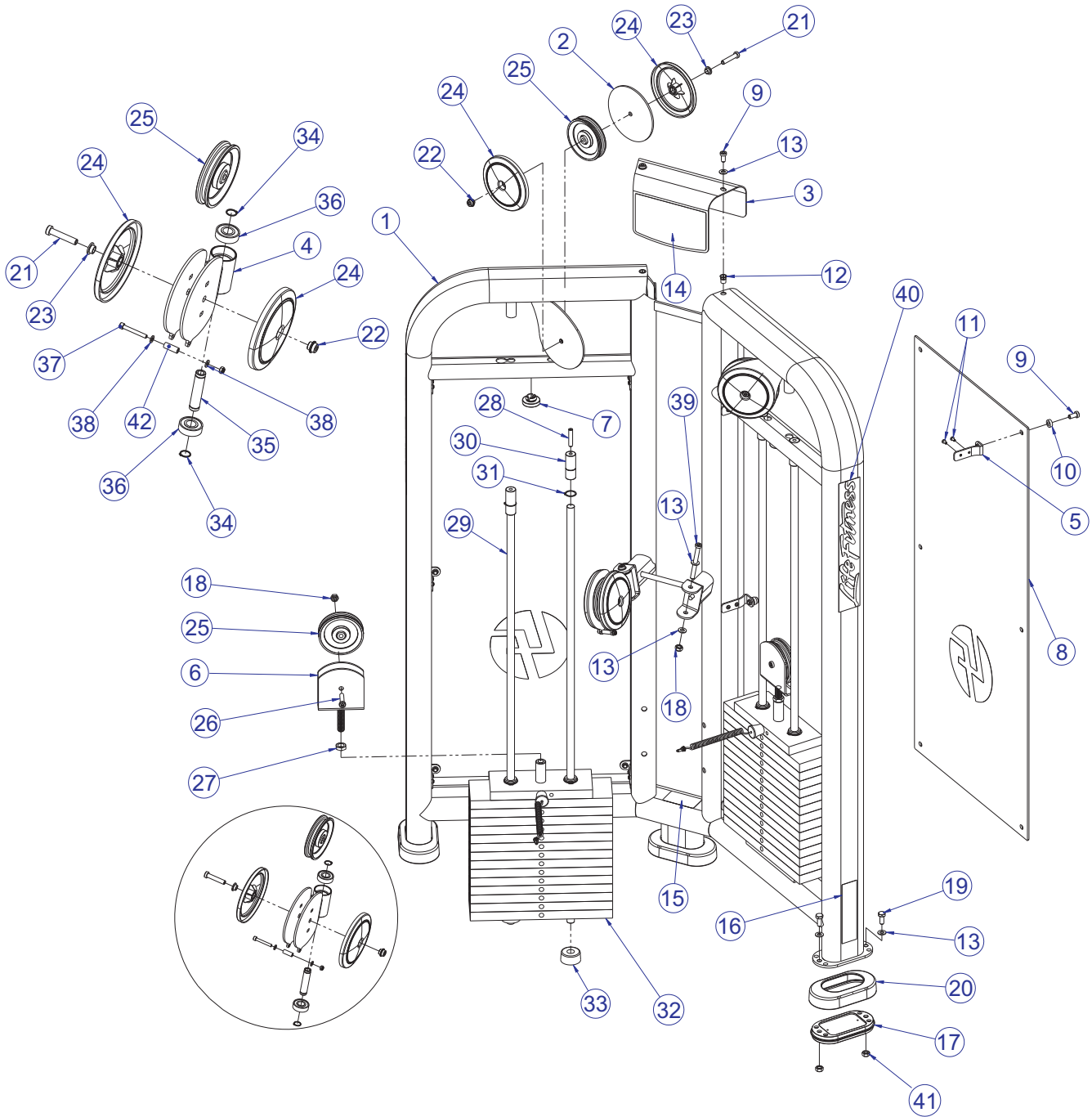
CMRW CABLE MOTION ROW COMPONENT ASSEMBLY

CMRW CABLE KIT - 8989206
 KIT INCLUDES: ITEMS 4, 13-16
 (CABLE ALONE (4): 8946906)



ITEM NO.	QTY.	PART NO.	DESCRIPTION	FRAME COLOR
1	1	SEE PAGE 5	ASSY, CMRW FRAME	ANY
2	1	SEE PAGE 7	ASSY, CMRW BENCH	ANY
3	2	3236902	NUT, HEX JAM M16 X 2 SS	-
4	2	8989206	KIT, CMRW, CABLE (INCLUDES CABLE AND ENDS)	-
5	2	8219601	HANDLE, CM/MJ, SHORT STRAP	-
6	3	3250201	SNAP LINK, 3/8" DIA	-
7	2	7711501	WEIGHT, 5 LB. ADD-ON	-
8	4	3236220	SCREW, M10 X1.5 130MM	-
9	4	7630101	RETAINER, CM/MJ, PULLEY	-
10	4	7335401	NUT, M10 X 1.5 SOCKET HEAD	-
11	4	7634701	SPACER, CM/MJ, .565 X .815	-
12	1	7732301	HANDLE, MJRW	-
13	2	8943601	LINK, CM/MJ, CABLE END	-
14	2	8943701	HSNG, CM/MJ, CABLE END	-
15	2	8943801	INSERT, CM/MJ, CABLE END	-
16	4	3250002	M5 X 0.8 HXS SOC CS ST BZ X 8	-

CMRW CABLE MOTION ROW FRAME ASSEMBLY

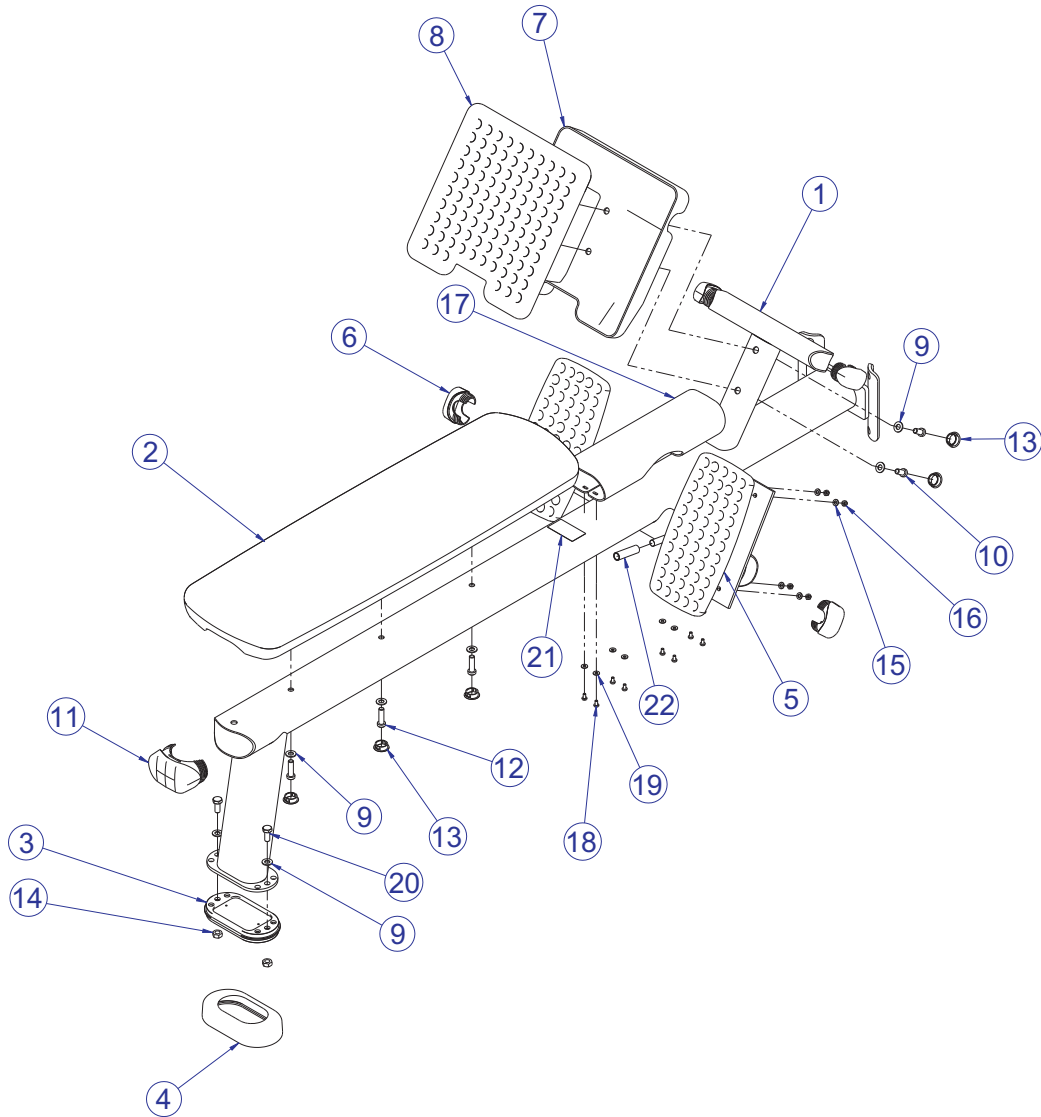


SEE PAGE 6 FOR LEGEND

CMRW CABLE MOTION ROW FRAME ASSEMBLY LEGEND

ITEM NO.	QTY.	PART NO.	DESCRIPTION	FRAME COLOR
1	1	NOT AVAILABLE	WLDMT, CMRW FRAME	ANY
2	2	7301101	PLATE, PULLEY	ANY
3	1	7770801	BRKT, CMPD/RW PLACARD	ANY
4	2	7770601	WLDMT, CMRW SWIVEL PULLEY W/SLOT	ANY
5	12	7642095	BRKT, CM/MJ, REAR SHROUD SG	SG
6	2	7642295	WLDMT, CM/MJ STK PULLEY SG	SG
7	2	7642301	BUMPER, CM/MJ, PLUG	-
8	2	7776102	SHIELD, CM REAR	-
9	14	3236201	SCREW, M10 X1.5 20MM	-
10	12	7385201	SPACER, .406 X .750 X .250	-
11	24	3239101	SCREW, M5X10 PHL PAN TT ST	-
12	2	3238601	M10X1.5 BLIND THREADED INSERT (HEX)	-
13	12	3236601	WASHER, 3/8 SAE SS	-
14	1	7781901	LABEL, PLACARD CMRW-ENGLISH	-
		7781902	LABEL, PLACARD CMRW-GERMAN	-
		7781903	LABEL, PLACARD CMRW-FRENCH	-
		7781904	LABEL, PLACARD CMRW-SPANISH	-
		7781905	LABEL, PLACARD CMRW-ITALIAN	-
		7781906	LABEL, PLACARD CMRW-DUTCH	-
		7781907	LABEL, PLACARD CMRW-JAPANESE	-
		7781908	LABEL, PLACARD CMRW-PORTUGUESE	-
15	1	7571301	LABEL, SERIAL NUMBER	-
16	1	7422004	LABEL, 2" ASTM WARN	-
17	3	7334001	FOOT, 2.50 X 4.49 FLOW	-
18	4	3236801	NUT, M10 HEX NYLOCK SS	-
19	5	3251202	SCREW, M10 X1.5 X 25MM UNS HEX CS ST ZN	-
20	3	7340201	COVER, FOOT - STRAIGHT	-
21	4	3236207	SCREW, M10 X1.5 50MM	-
22	4	7335401	NUT, M10 X 1.5 SOCKET HEAD	-
23	4	7630101	RETAINER, CM/MJ, PULLEY	-
24	8	7629901	COVER, PULLEY- BOLTED FULL	-
25	6	3237801	PULLEY, 4.5" OD	-
26	2	3236206	SCREW, M10 X1.5 45MM	-
27	2	3236902	NUT, M16 X 2 HEX JAM SS	-
28	4	3240502	M10 X 1.5 X 50 HXS NO CUP ST BO	-
29	4	7328601	GUIDE ROD, .75 OD SOLID 48.38	-
30	4	7634401	RETAINER, CM/MJ, GUIDEROD	-
31	4	3232421	RING, BRE .940, 5100-100 ST PP B	-
32	2	7574101	ASSY, 225LB STACK	-
33	4	7352101	CUSHION, WEIGHT STACK	-
34	4	3232413	RING, BRE .588, 5100-62, ST PP B	-
35	2	7645401	SHAFT, CM/MJ, 6203 BRNG	-
36	4	3245901	BEARING, 6203	-
37	2	3241706	SCREW, M6 X1 45MM	-
38	4	3241801	WASHER, FLAT 6MM SS	-
39	2	3236217	SCREW, M10 X1.5 100MM	-
40	2	7348001	LABEL, LIFE FITNESS LOGO	-
41	6	3254703	NUT, M10 X 1.5 HEX ZINC	-
42	2	8002401	SPACER, CM/MJ PULLEY	-

CMRW CABLE MOTION ROW BENCH ASSEMBLY

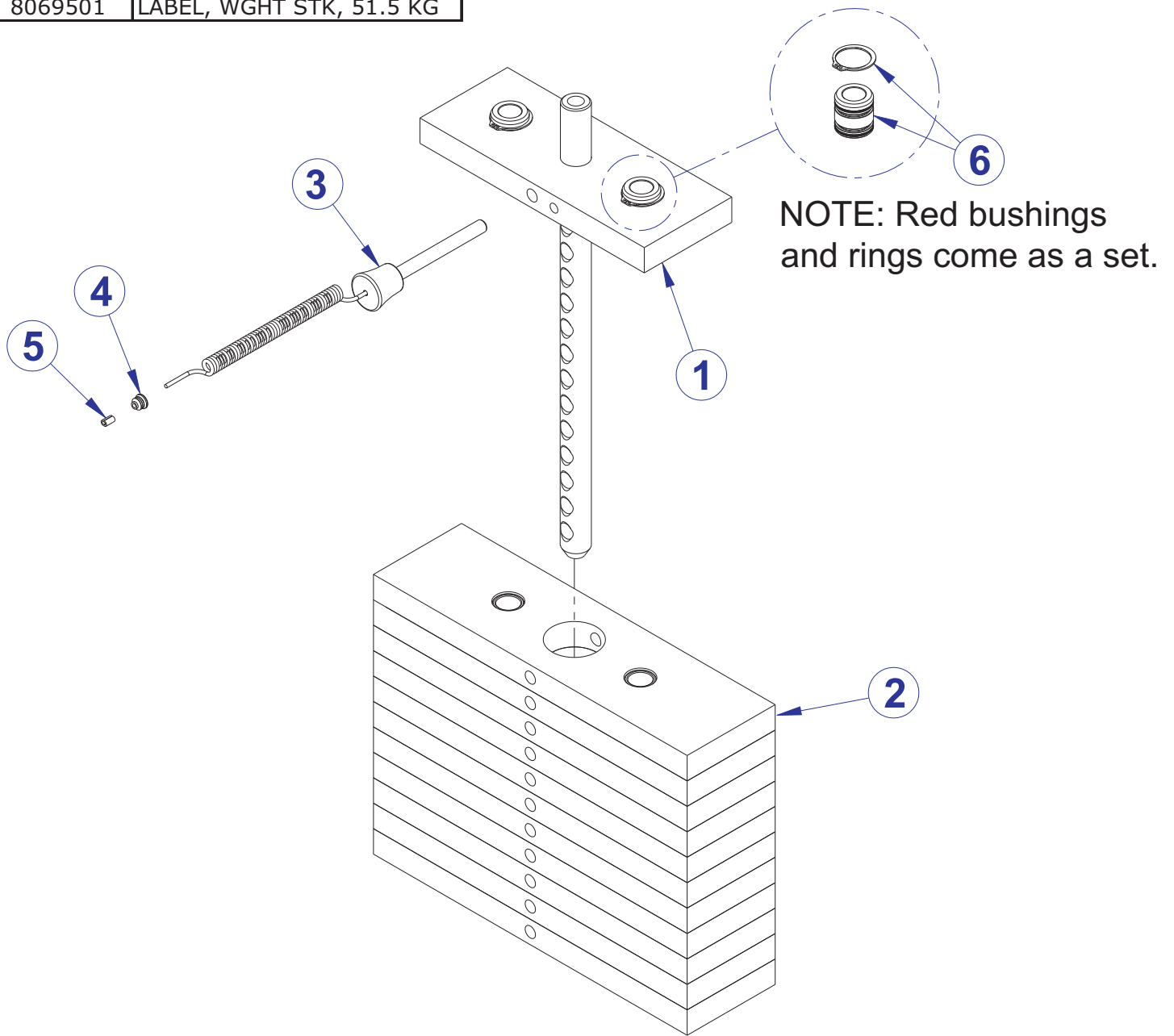


ITEM NO.	QTY.	PART NO.	DESCRIPTION	FRAME COLOR
1	1	7770401	WLDMT, CMRW BENCH	ANY
2	1	76271XX	PAD 36.0 X 11 CONVEX	-
3	1	7334001	FOOT, 2.50 X 4.49 FLOV	-
4	1	7419701	COVER, FOOT 10 DEG	-
5	2	7640301	FOOT PAD, CM/MJ, OVERMOLD	-
6	4	7333801	CAP, SMALL FLOV- END	-
7	1	7438201	COVER,FZSLP-STEP	-
8	1	7438301	STEP PLATE,FZSLP- OVERMOLDED	-
9	7	3236601	WASHER, 3/8 SAE SS	-
10	2	3236201	SCREW, M10 X1.5 20MM	-
11	1	7333901	CAP, LARGE FLOV- END	-
12	3	3236204	SCREW, M10 X1.5 35MM	-
13	5	3237403	PLUG, 1" HOLE	-
14	2	3254703	NUT, M10 X 1.5 HEX ZINC	-
15	8	3241801	WASHER, FLAT 6MM SS	-
16	8	3236802	NUT, M6 HEX NYLOCK SS	-
17	1	7713601	COVER, PROTECTIVE	-
18	8	3239101	SCREW, M5X10 PHL PAN TT ST	-
19	8	3248101	WSH 10 FL-D ST ZN	-
20	2	3251202	M10 X 1.5 X 25MM UNS HEX CS ST ZN	-
21	1	7422003	LABEL, MOVING PARTS	-
22	1	7749601	SLEEVE, .50" ID X 2.25"	-

CMRW CABLE MOTION ROW WEIGHT STACK ASSEMBLY-7574101

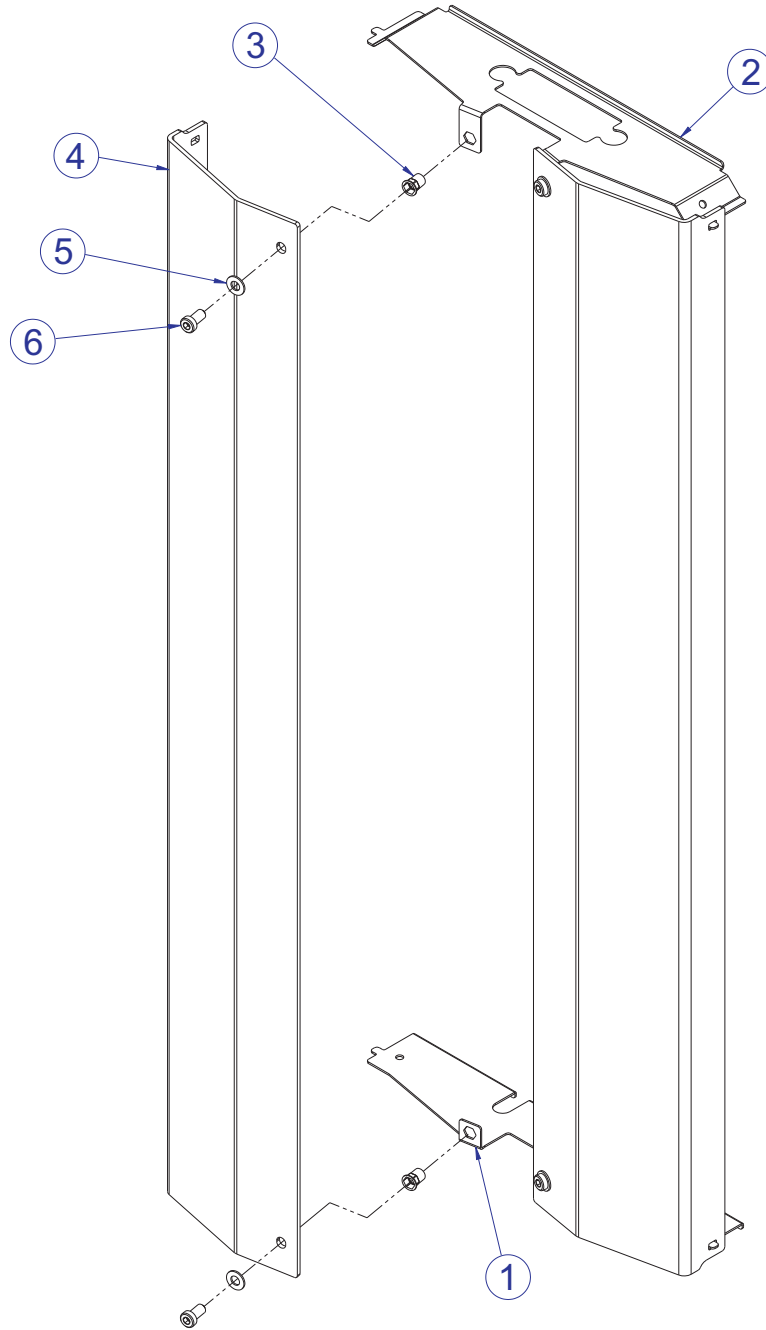
WEIGHT STACK LABELS

PART NO.	DESCRIPTION
8069401	LABEL, WGHT STK, 110 LBS
8069501	LABEL, WGHT STK, 51.5 KG



ITEM NO.	QTY.	PART NO.	DESCRIPTION
1	1	8920101	14 HOLE HEAD PLATE/BAYONET SER. KIT ASSY
2	14	7353801	ASSY, 15 LB PLATE
3	1	7353001	ASSY, SELECTOR PIN
		8981903	ASSY, WT STACK SELECTOR PIN, SRT - YELLOW
4	1	7356501	PLUG, LANYARD ATTACHMENT
5	1	7523601	CRIMP, CABLE
6	2	7338001	BUSHING, HEADPLATE

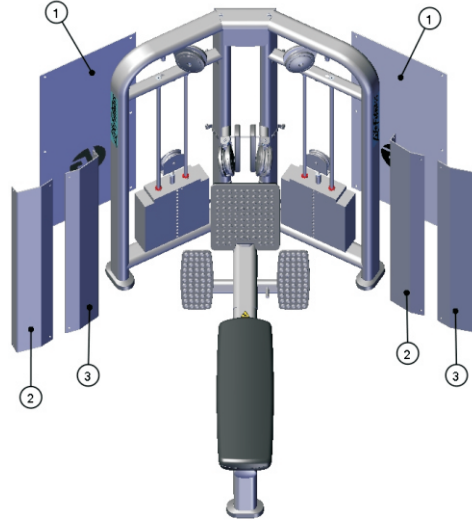
CMRW CABLE MOTION ROW OPTIONAL FRONT SHROUD KIT - 7782201







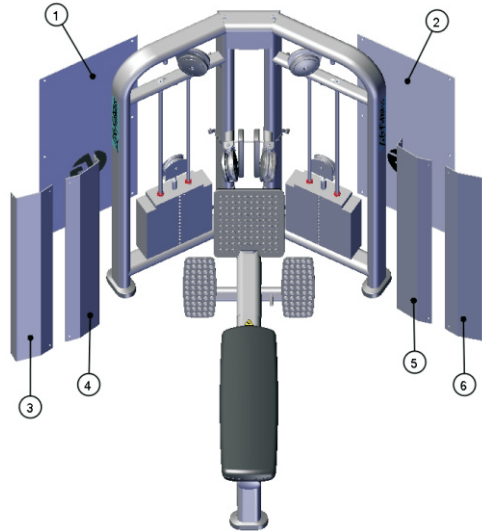
ITEM NO.	QTY.	PART NO.	DESCRIPTION	FRAME COLOR
1	1	7773395	BRKT, SHIELD, CM BOTTOM SG	SG
2	1	7773495	BRKT, SHIELD, CM TOP SG	SG
3	4	3238601	M10X1.5 BLIND THREADED INSERT (HEX)	-
4	2	7773202	SHIELD, CM FRONT 49.20"	-
5	4	3236601	WASHER, 3/8 SAE SS	-
6	4	3236201	SCREW, M10 X1.5 20MM	-



CMRW CABLE MOTION ROW

OPTIONAL SHROUD STACKWRAPS (SHROUD + WRAP)



	ITEM NO.	QTY.	PART NO.	DESCRIPTION
	1	2	8961002	SHROUD, CM, REAR, TALL -BAMBOO
	2	2	8961102	SHROUD, CM, FNT, TALL, RT -BAMBOO
	3	2	8961202	SHROUD, CM, FNT, TALL, LT -BAMBOO
	1	2	8961602	SHROUD, CM, REAR, TALL -BRONZE
	2	2	8961702	SHROUD, CM, FNT, TALL, RT -BRONZE
	3	2	8961802	SHROUD, CM, FNT, TALL, LT -BRONZE
	1	2	8962202	SHROUD, CM, REAR, TALL -ROSEWOOD
	2	2	8962302	SHROUD, CM, FNT, TALL, RT -ROSEWOOD
	3	2	8962402	SHROUD, CM, FNT, TALL, LT -ROSEWOOD
	1	2	8962502	SHROUD, CM, REAR, TALL -STAINLESS STEEL
	2	2	8962602	SHROUD, CM, FNT, TALL, RT -STAINLESS STEEL
	3	2	8962702	SHROUD, CM, FNT, TALL, LT -STAINLESS STEEL



	ITEM NO.	QTY.	PART NO.	DESCRIPTION
	1	1	8961304	SHROUD, CM, RT TOWER, REAR, TLL -SKY
	2	1	8961302	SHROUD, CM, LT TOWER, REAR, TLL -SKY
	3	1	8961502	SHROUD, CM, RT TOWER, FNT, LT, TLL -SKY
	4	1	8961402	SHROUD, CM, RT TOWER, FNT, RT, TLL -SKY
	5	1	8961504	SHROUD, CM, LT TOWER, FNT, LT, TLL -SKY
	6	1	8961404	SHROUD, CM, LT TOWER, FNT, RT, TLL -SKY
	1	1	8961902	SHROUD, CM, RT TOWER, REAR, TLL -STEM
	2	1	8961904	SHROUD, CM, LT TOWER, REAR, TLL -STEM
	3	1	8962104	SHROUD, CM, RT TOWER, FNT, LT, TLL -STEM
	4	1	8962004	SHROUD, CM, RT TOWER, FNT, RT, TLL -STEM
	5	1	8962102	SHROUD, CM, LT TOWER, FNT, LT, TLL -STEM
	6	1	8962002	SHROUD, CM, LT TOWER, FNT, RT, TLL -STEM

CMRW CABLE MOTION ROW IMAGE

