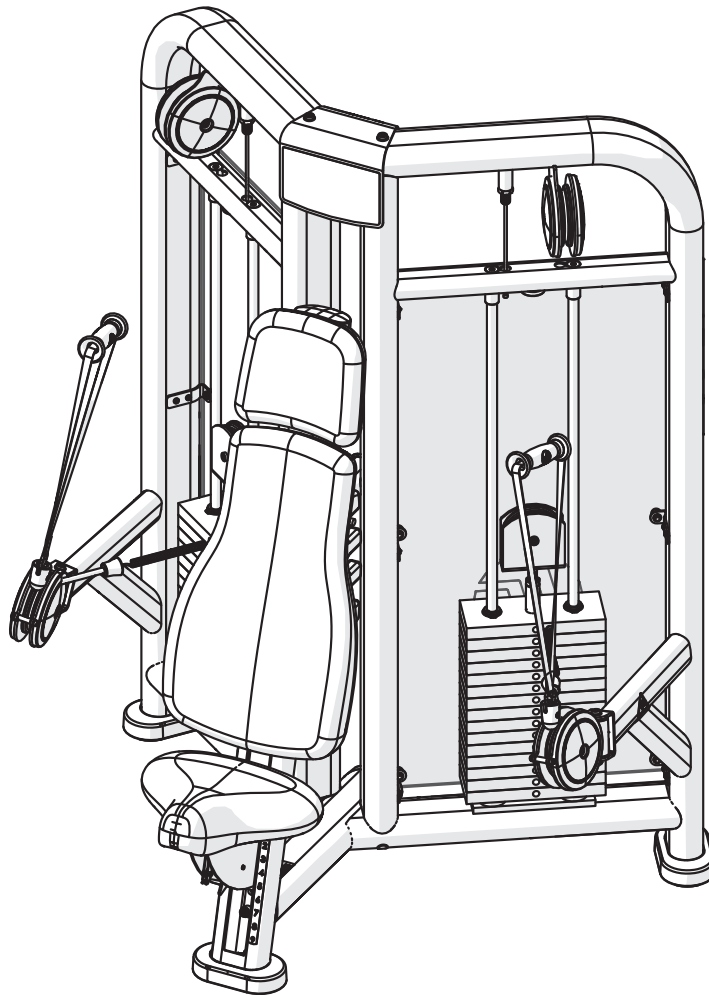


# Signature Series Cable Motion CMSP Shoulder Press CMSP

## Parts List



# CMSP SHOULDER PRESS CONTENTS

---

FRAME AND UPHOLSTERY COLORS..... 3

COMPONENT ASSEMBLY..... 4

COMPONENT ASSEMBLY II..... 5

COMPONENT ASSEMBLY LEGEND..... 6

FZ SEAT CARRIAGE ASSEMBLY..... 7

FZ SEAT CARRIAGE ASSEMBLY LEGEND..... 8

FZ SEAT ADJUST HANDLE ASSEMBLY..... 9

150LB WEIGHT STACK ASSEMBLY..... 10

OPTIONAL FRONT SHROUD KIT..... 11

OPTIONAL SHROUD STACKWRAPS..... 12

IMAGE..... 13

# CMSP SHOULDER PRESS FRAME AND UPHOLSTERY COLORS

---

## Strength Frame Colors



Platinum



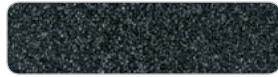
White



Black



Ice Blue Metallic



Midnight Metallic



Nickel



Blue



Red



Yellow



Candy Apple Red

Note: Include frame color in pick-slip notes when ordering frame assemblies or weldments.

## Strength Upholstery Colors



American Beauty Red 07



Azure 20



Black 01



Cranberry 04



Graphite 22



Hunter Green 13



Regimental Blue 14



Royal Blue 02



Slate 03



Wheat 21



Burgundy 29



Candy Apple Red 28



Chestnut 34



Concord 16



Crocus 19



Dove Gray 37



Emerald 27



Grotto 25



Gun Metal 39



Imperial Blue 33



Jade 26



Navy 32



Northwoods Green 05



Paprika 35



Plum 30



Putty 38



Space Blue 06



Suede 08



Terra Cotta 36



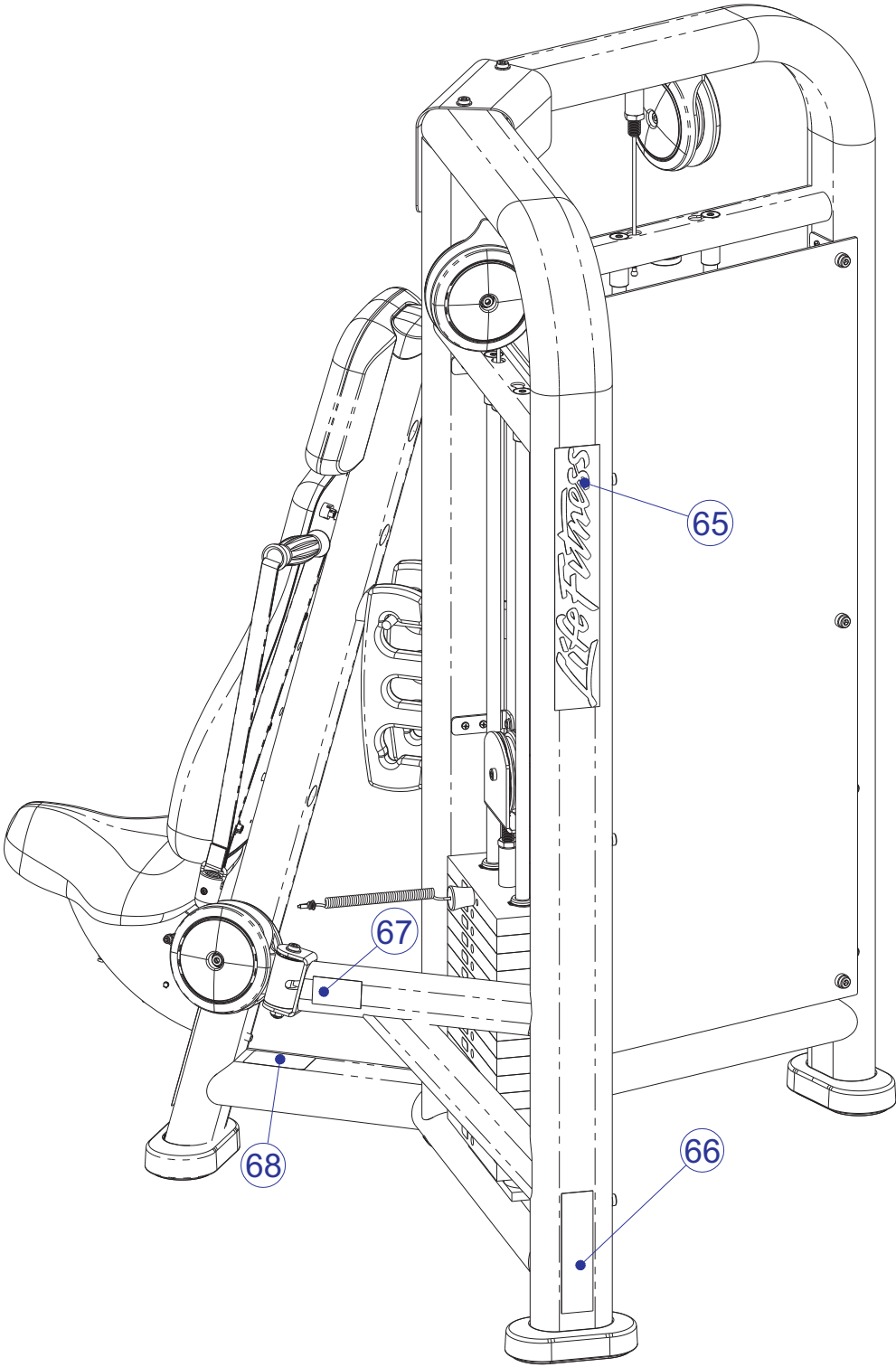
Turquoise 17

Note: Replace XX with above color suffix when ordering pads (ie. 74123XX = 7412301 Black)  
Use 99 suffix for custom upholstery.



# CMSP SHOULDER PRESS COMPONENT ASSEMBLY II

---



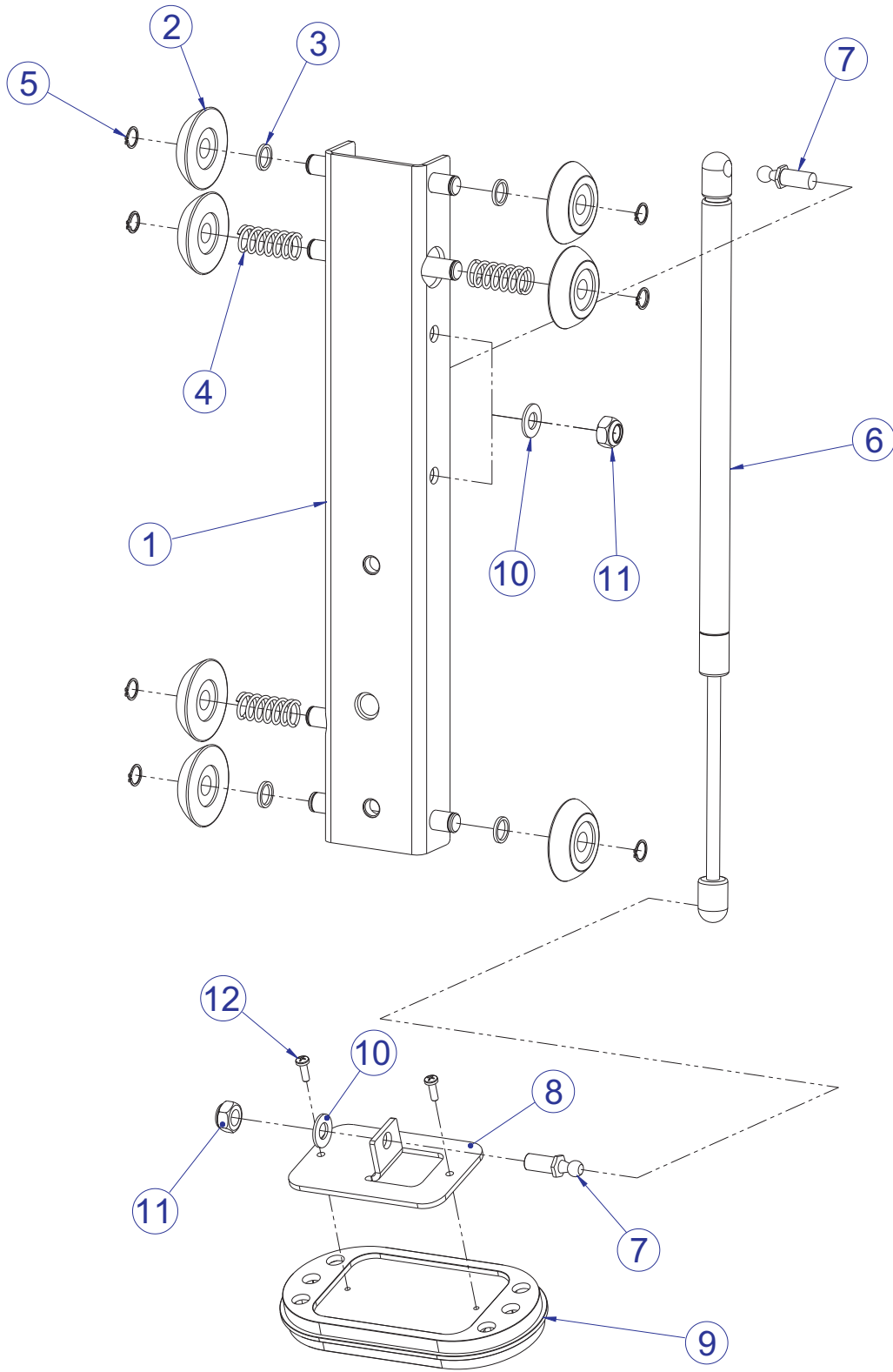
SEE PAGE 6 FOR LEGEND

# CMSP SHOULDER PRESS COMPONENT ASSEMBLY LEGEND

ITEM NO.	QTY.	PART NO.	DESCRIPTION	ITEM NO.	QTY.	PART NO.	DESCRIPTION
1	1	7697501	CMSP FRAME	37	1	7407502	PIN, LINK
2	2	7692401	WLDMT, CMSP SWIVEL PLY W/ SLOT	38	2	3232401	RING, RETAINING, EXTERNAL
3	1	7330501	WLDMT, FZ SEAT SUPPORT	39	2	77769401	SPACER, FLANGE .406 X .495 X .81
4	2	7301101	PLATE PULLEY	40	1	3239201	SPRING, EXT, .675 X .049 X 2.00
5	1	7691101	BRKT, CMCP/SP PLA CARD	41	12	7640295	BRKT, CM/MJ, REAR SHROUD SG
6	1	74741XX	PAD, LARGE BACK	42	26	3239101	SCREW, M5 X 10 PHL PAN TT ST
7	1	74743XX	PAD, HEAD REST	43	12	7385201	SPACER, .406 X .750 X .250
8	1	72971XX	PAD, SEAT CARRIAGE	44	2	7776101	SHIELD, CM REAR
9	1	7911101	ASSY, SEAT CARRIAGE	45	4	3251204	SCREW, M10 X 1.5 X 35MM UNS HEX
10	6	3237801	PULLEY, 4.5" OD	46	4	3237403	PLUG, 1" HOLE
11	8	7629901	COVER, PULLEY- BOLTED FULL	47	2	7642301	BUMPER, CM/MJ, PLUG
12	4	7630101	RETAINER, CM/MJ, PULLEY	48	1	7425295	BRKT, SEAT INDICATOR
13	4	3236207	SCREW, M10 X 1.5 50MM	49	4	3240502	M10 X 1.5 X 50 HXS NO CUP ST BO
14	4	7328604	GUIDE ROD, .75 OD SOLID 43.88	50	2	7776301	CABLE, CMSP
15	4	7634401	RETAINER, CM/MJ, GUIDE ROD	51	2	3241706	SCREW, M6 X 145MM
16	4	3232421	RING, BRE .940, 5100-100 ST PP B	52	4	3241801	WASHER, FLAT 6MM SS
17	4	7352101	CUSHION, WEIGHT STACK	53	2	7711501	WEIGHT, 5LB ADD ON
18	2	7776901	ASSY, 150LB STACK	54	4	3245901	BEARING, 6203
19	4	7335401	NUT, M10 X 1.5 SOCKET HEAD	55	2	7645401	SHAFT, CM/MJ, 6203 BRNG
20	22	3236601	WASHER, 3/8 SAE SS	56	4	3232413	RING, BRE .588, 5100-62, ST PP B
21	2	3236217	SCREW, M10 X 1.5 100MM	57	6	7646801	PLUG, CUVED HOLE
22	2	7333901	CAP, SMALL FLOW-END	58	2	8219701	HANDLE, CM/MJ, LONG STRAP
23	1	7333801	WLDMT, CM/MJ STK PULLEY SG	59	4	3250002	M5 X 0.5 HXS SOC CS ST BZ X 8
24	2	7642295	SCREW, M10 X 1.5 45MM	60	2	3250101	PIN, DOWEL, .25 DIA X .75
25	2	3236206	NUT, M10 HEX NYLOCK SS	61	2	7731001	LINK, CABLE END .813 DIA
26	5	3236801	NUT, M10 HEX NYLOCK SS	62	2	7731101	HOUSING, CABLE END 1.25 DIA
27	4	3236902	NUT, M16 X 2 HEX JAM SS	63	2	3238601	M10 X 1.5 BLIND THREAD INSERT (HEX)
28	1	7385203	SPACER, .406 X .750 X .500	64	1	7781701	LABEL, PLACARD CMSP
29	15	3236201	SCREW, M10 X 1.5 20MM	65	2	7348001	LABEL, LIFE FITNESS LOGO
30	10	3251202	SCREW, M10 X 1.5 X 25MM UNS HEX	66	1	7422004	LABEL, 2" ASTM WARN
31	2	7334001	FOOT, 2.50 X 4.49 FLOW	67	2	7422003	LABEL, MOVING PARTS
32	2	3236202	SCREW, M10 X 1.5 25MM	68	1	7571301	LABEL, SERIAL NUMBER
33	1	7419701	COVER, FOOT 10 DEG	69	1	7524501	LABEL, 1-9 STRAIGHT
34	2	7340201	COVER, FOOT-STRAIGHT	70	1	3236208	SCREW, M10 X 1.5 55MM
35	1	7778001	ASSY, FZ ADJUSTER HANDLE -GRAY HANDLE	71	6	3254703	NUT, M10 X 1.5 HEX ZINC
		7778003	ASSY, FZ ADJUSTER HANDLE -YELLOW HANDLE	72	2	3236802	NUT, M6 HEX NYLOCK SS
36	1	7776501	SHAFT, .625 X .406 X 1.200	73	2	8002401	SPACER, CM/MJ PULLEY

# CMSP SHOULDER PRESS FZ SEAT CARRIAGE ASSEMBLY - 7911101

---



SEE PAGE 8 FOR LEGEND

# CMSP SHOULDER PRESS

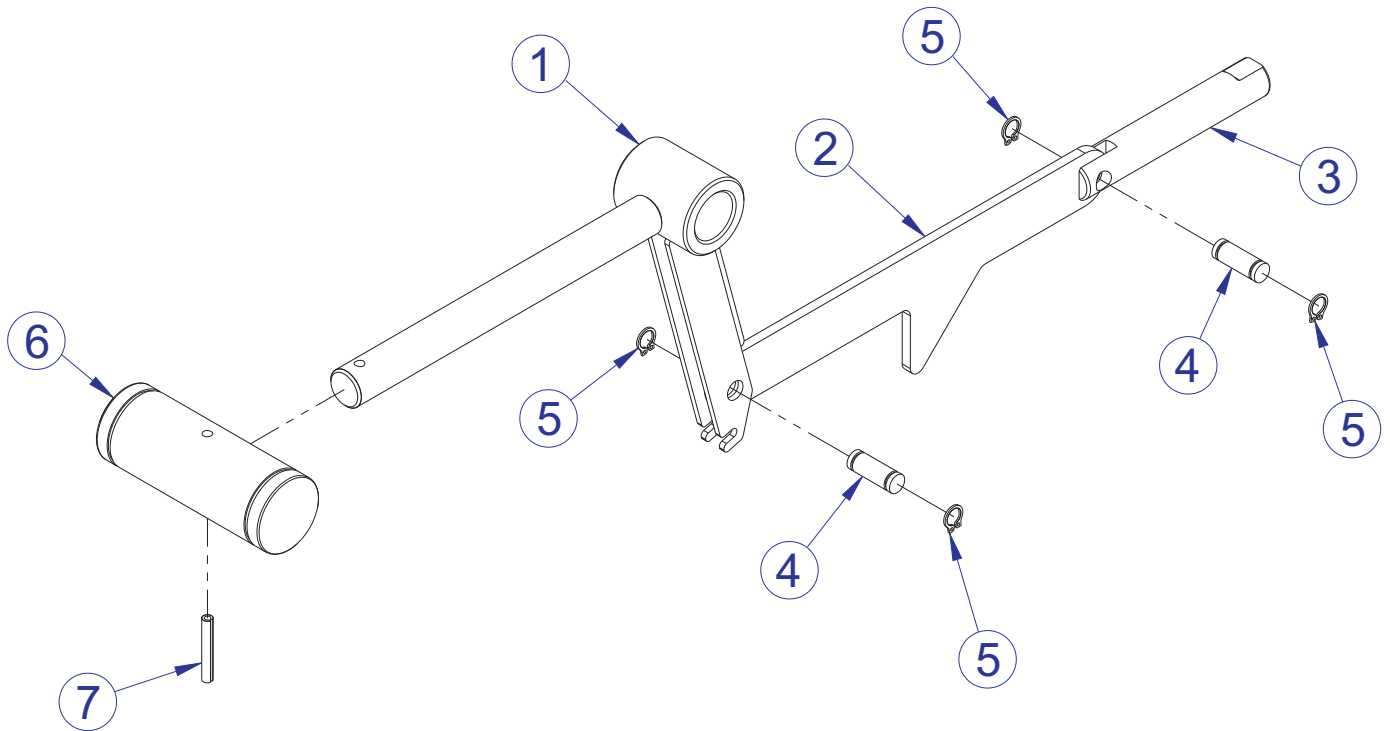
## FZ SEAT CARRIAGE ASSEMBLY LEGEND

---

ITEM NO.	QTY.	PART NO.	DESCRIPTION
1	1	7911295	WLDMT, SEAT CARRIAGE SHDW GRAY
2	7	7889701	ROLLER, SEAT CARRIAGE
3	4	7911901	SPACER, .625 DIA X 16 GA.
4	3	7912001	SPRING, SEAT CARRIAGE
5	7	3232408	RING, BRE .443, 5100-46, ST,PP,B
6	1	3235700	SPRING, GAS 80N
7	2	7414301	STUD, M10 BALL END M10 X 1.5
8	1	7339401	BRACKET, GAS SPRING
9	1	7334001	FOOT, 2.50 X 4.49 FLOV
10	2	3236601	WASHER, 3/8 SAE SS
11	2	3236801	NUT, M10 HEX NYLOCK SS
12	2	3241201	M4 PHL PAN F ST ZN



# CMSP SHOULDER PRESS FZ ADJUSTER HANDLE ASSEMBLY - 77780XX



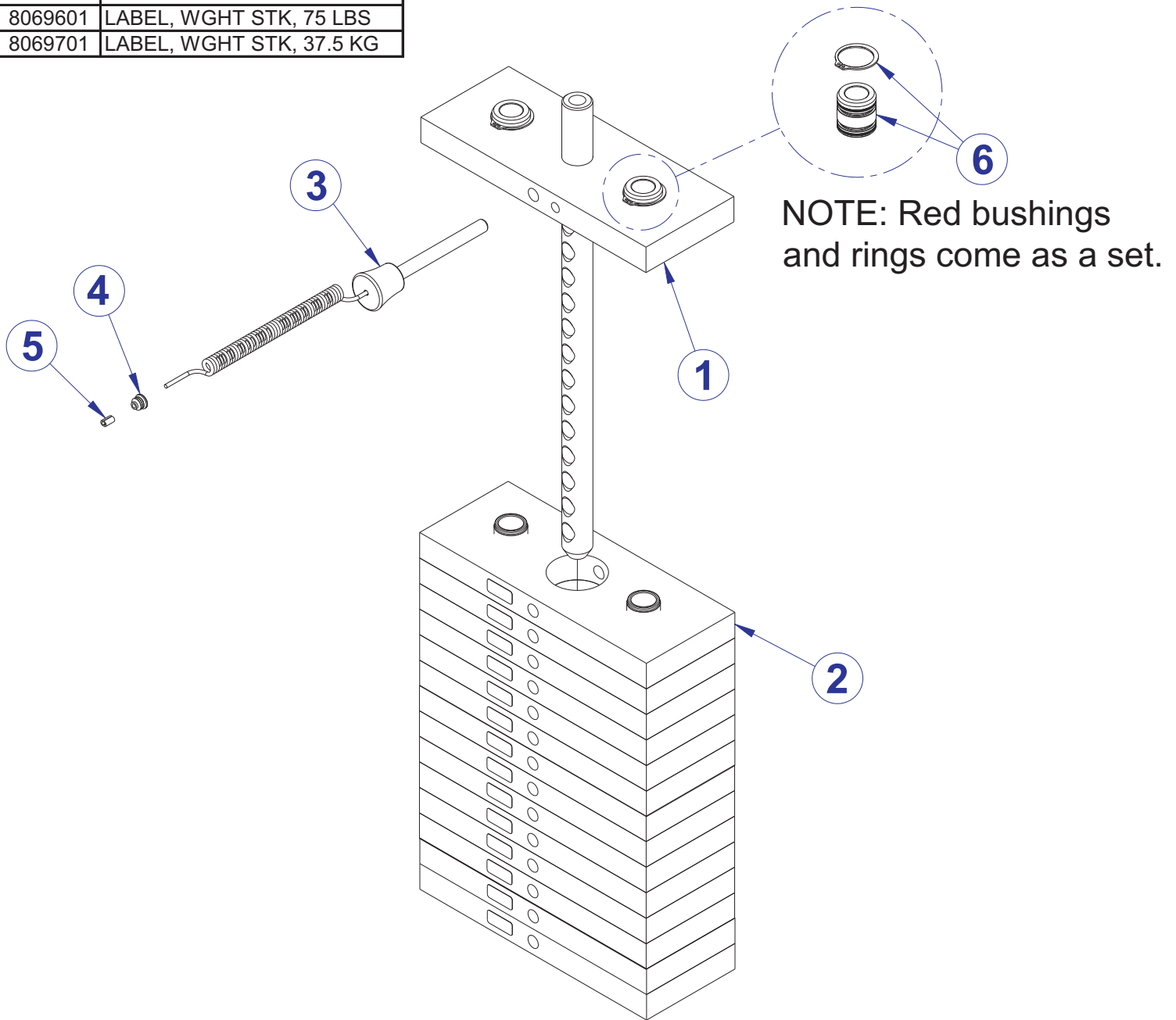
ITEM NO.	QTY.	PART NO.	DESCRIPTION
1	1	7777595	WLDMT, FZ SEAT ADJ HANDLE SHADOW GRAY
2	1	7331801	LINK, ADJUSTER
3	1	7331601	PIN, INDEX
4	2	7407501	PIN, LINK
5	4	3232401	RING, RETAINING, EXTERNAL
6	a	1	7287901 HANDLE, ADJUSTER - SILVER
	b	1	7287903 HANDLE, ADJUSTER - YELLOW
7	1	3110010	ROLL PIN, 1/8 X 7/8

# CMSP SHOULDER PRESS

## 150LB WEIGHT STACK ASSEMBLY - 7776901

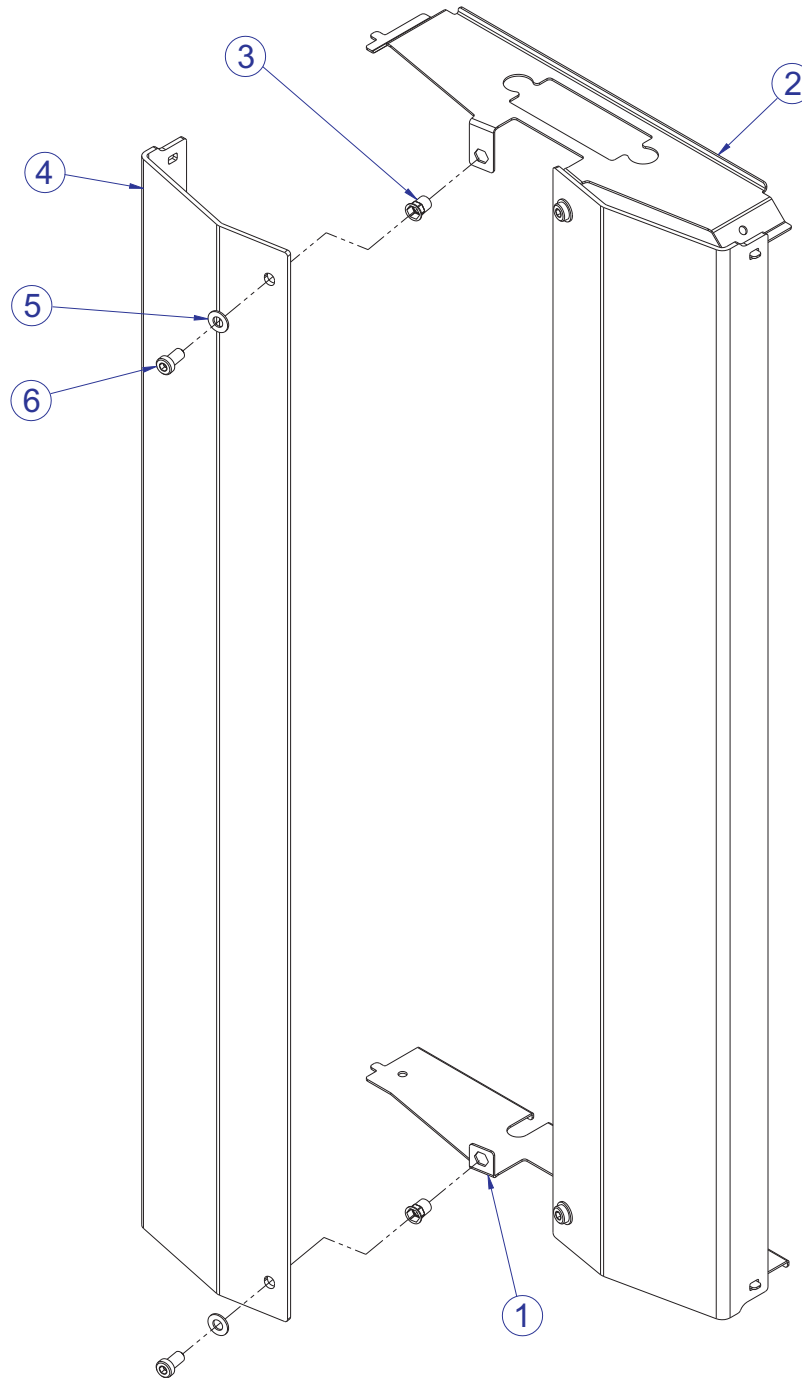
### WEIGHT STACK LABELS

PART NO	DESCRIPTION
8069601	LABEL, WGHT STK, 75 LBS
8069701	LABEL, WGHT STK, 37.5 KG



ITEM NO.	QTY.	PART NO.	DESCRIPTION
1	1	8920101	14 HOLE HEAD PLATE/BAYONET SER. KIT ASSY
2	14	7353701	ASSY, 10 LB PLATE
3	1	7353001	ASSY, SELECTOR PIN
		8981903	ASSY, WT STACK SELECTOR PIN, SRT - YELLOW
4	1	7356501	PLUG, LANYARD ATTACHMENT
5	1	7523601	CRIMP, CABLE
6	2	7338001	BUSHING, HEADPLATE

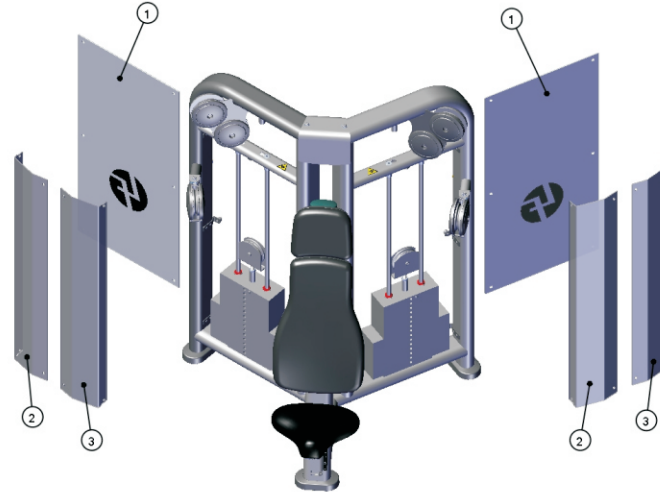
# CMSP SHOULDER PRESS OPTIONAL FRONT SHROUD ASSEMBLY - 7782101



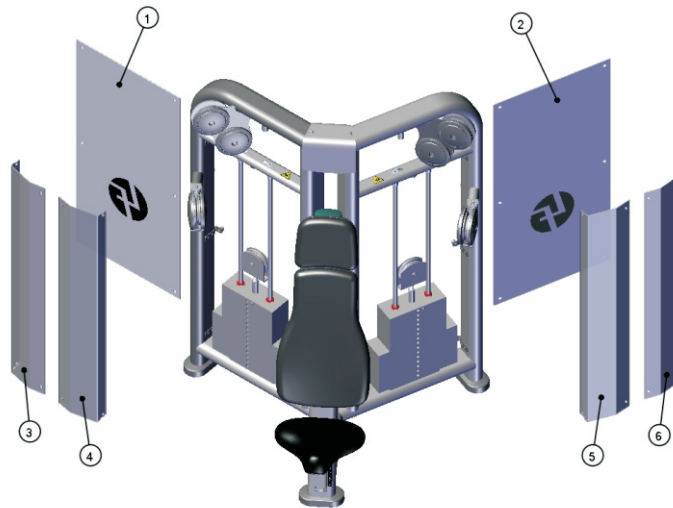
ITEM NO.	QTY.	PART NO.	DESCRIPTION
1	1	7773395	BRKT, SHIELD, CM BOTTOM SG
2	1	7773495	BRKT, SHIELD, CM TOP SG
3	4	3238601	M10X1.5 BLIND THREADED INSERT (HEX)
4	2	7773201	SHIELD, CM FRONT 44.45"
5	4	3236601	WASHER, 3/8 SAE SS
6	4	3236201	SCREW, M10 X1.5 20MM

# CMSP SHOULDER PRESS

## OPTIONAL SHROUD STACKWRAPS (SHROUD + WRAP)



	ITEM NO.	QTY.	PART NO.	DESCRIPTION
BAMBOO	1	2	8961001	SHROUD, CM, REAR, SHORT -BAMBOO
	2	2	8961201	SHROUD, CM, FNT, SHORT, LT -BAMBOO
	3	2	8961101	SHROUD, CM, FNT, SHORT, RT -BAMBOO
BRONZE	1	2	8961601	SHROUD, CM, REAR, SHORT -BRONZE
	2	2	8961801	SHROUD, CM, FNT, SHORT, LT -BRONZE
	3	2	8961701	SHROUD, CM, FNT, SHORT, RT -BRONZE
ROSEWOOD	1	2	8962201	SHROUD, CM, REAR, SHORT -ROSEWOOD
	2	2	8962401	SHROUD, CM, FNT, SHORT, LT -ROSEWOOD
	3	2	8962301	SHROUD, CM, FNT, SHORT, RT -ROSEWOOD
STAINLESS STEEL	1	2	8962501	SHROUD, CM, REAR, SHORT -STAINLESS STEEL
	2	2	8962701	SHROUD, CM, FNT, SHORT, LT -STAINLESS STEEL
	3	2	8962601	SHROUD, CM, FNT, SHORT, RT -STAINLESS STEEL



	ITEM NO.	QTY.	PART NO.	DESCRIPTION
SKY	1	1	8961301	SHROUD, CM, LT TOWER, REAR, SRT -SKY
	2	1	8961303	SHROUD, CM, RT TOWER, REAR, SRT -SKY
	3	1	8961503	SHROUD, CM, LT TOWER, FNT, LT, SRT -SKY
	4	1	8961403	SHROUD, CM, LT TOWER, FNT, RT, SRT -SKY
	5	1	8961501	SHROUD, CM, RT TOWER, FNT, LT, SRT -SKY
	6	1	8961401	SHROUD, CM, RT TOWER, FNT, RT, SRT -SKY
STEM	1	1	8961903	SHROUD, CM, LT TOWER, REAR, SRT -STEM
	2	1	8961901	SHROUD, CM, RT TOWER, REAR, SRT -STEM
	3	1	8962101	SHROUD, CM, LT TOWER, FNT, LT, SRT -STEM
	4	1	8962001	SHROUD, CM, LT TOWER, FNT, RT, SRT -STEM
	5	1	8962103	SHROUD, CM, RT TOWER, FNT, LT, SRT -STEM
	6	1	8962003	SHROUD, CM, RT TOWER, FNT, RT, SRT -STEM

# CMSP SHOULDER PRESS IMAGE

---

