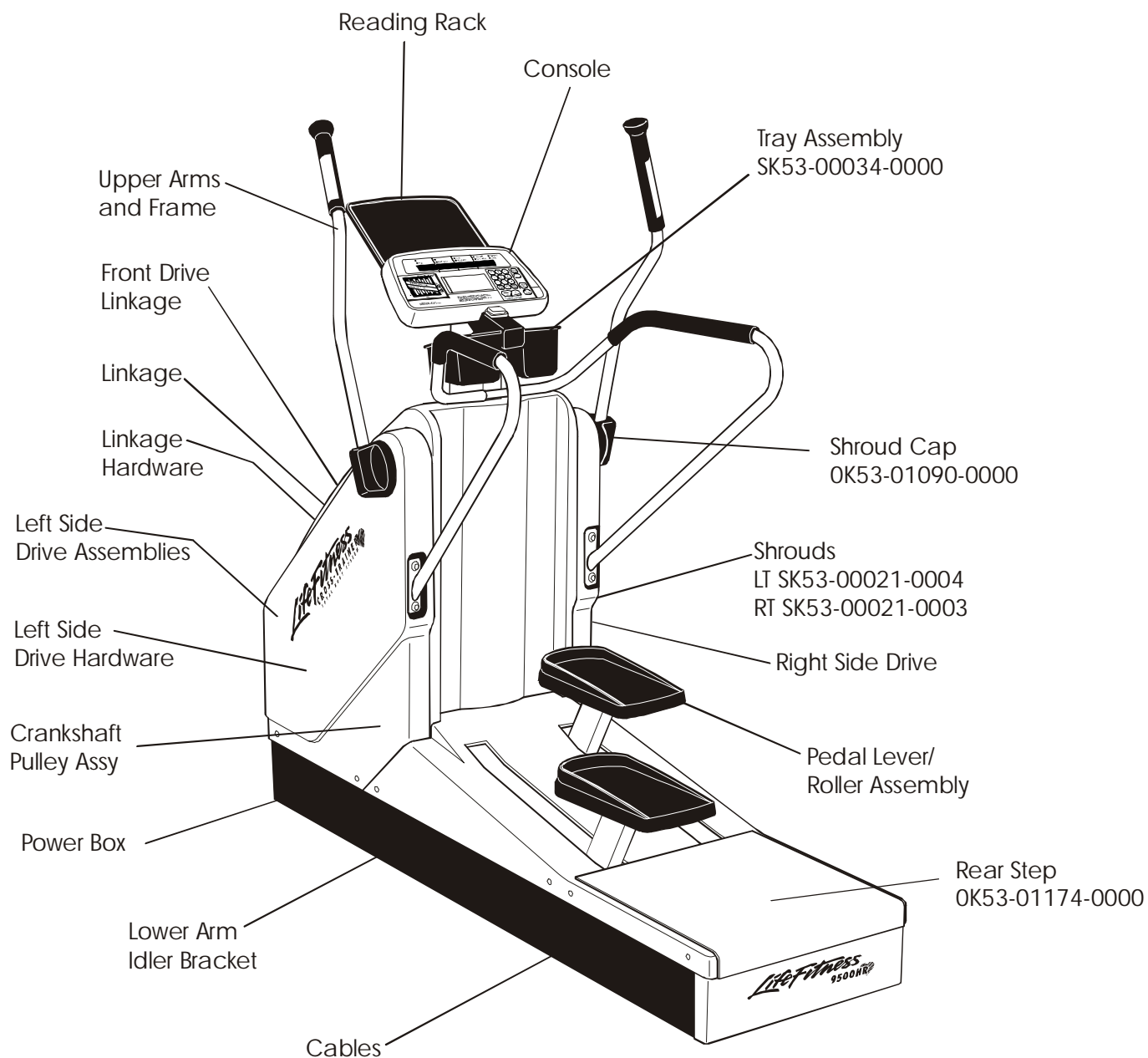


CT9500 Cross-Trainer CT95-0XXXX-14

General Assembly



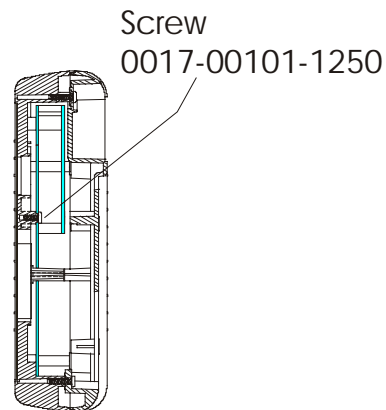
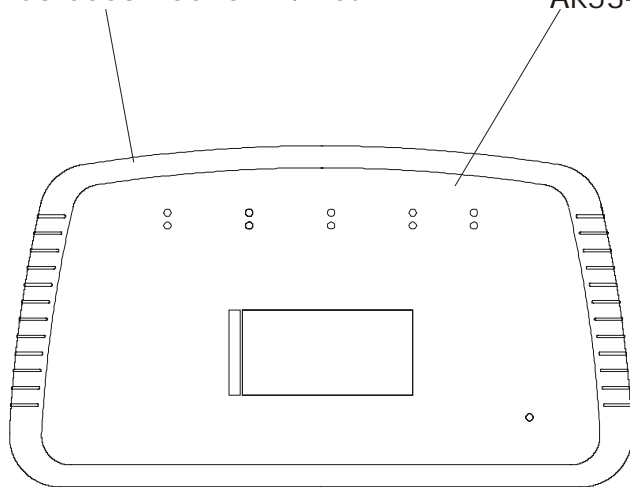
Bag Assembly	AK53-00215-0001
Hardware Bag	AK53-00044-0000
Install Manual	M051-00K20-C088
Operator Manual	M051-00K20-A040
Service Manual	M051-00K53-A011

CT9500 Cross-Trainer CT95-0XXXX-14

Console Assembly

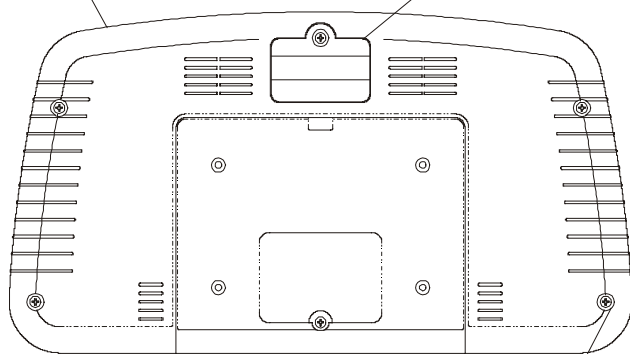
Console Assembly
 SK53-00039-0001 Eng/Met
 AK53-00039-0002 Eng/Met
 AK53-00039-0003 Ger/Met
 AK53-00039-0004 Spn/Met
 AK53-00039-0005 Spn/Met
 AK53-00039-0006 CCD/Met
 AK53-00039-0007 Frn/Met
 AK53-00039-0008 Itl/Met
 AK53-00039-0009 Dut/Met
 AK53-00039-0010 Frn/Met

Overlay Bezel
 SK53-00040-0001 Eng/Met
 AK53-00040-0002 Eng/Met
 AK53-00040-0003 Ger/Met
 AK53-00040-0004 Spn/Met
 AK53-00040-0005 Spn/Met
 AK53-00040-0006 CCD/Met
 AK53-00040-0007 Frn/Met
 AK53-00040-0008 Itl/Met
 AK53-00040-0009 Dut/Met
 AK53-00040-0010 Frn/Met



Console Case (Black)
 OK36-01187-0006

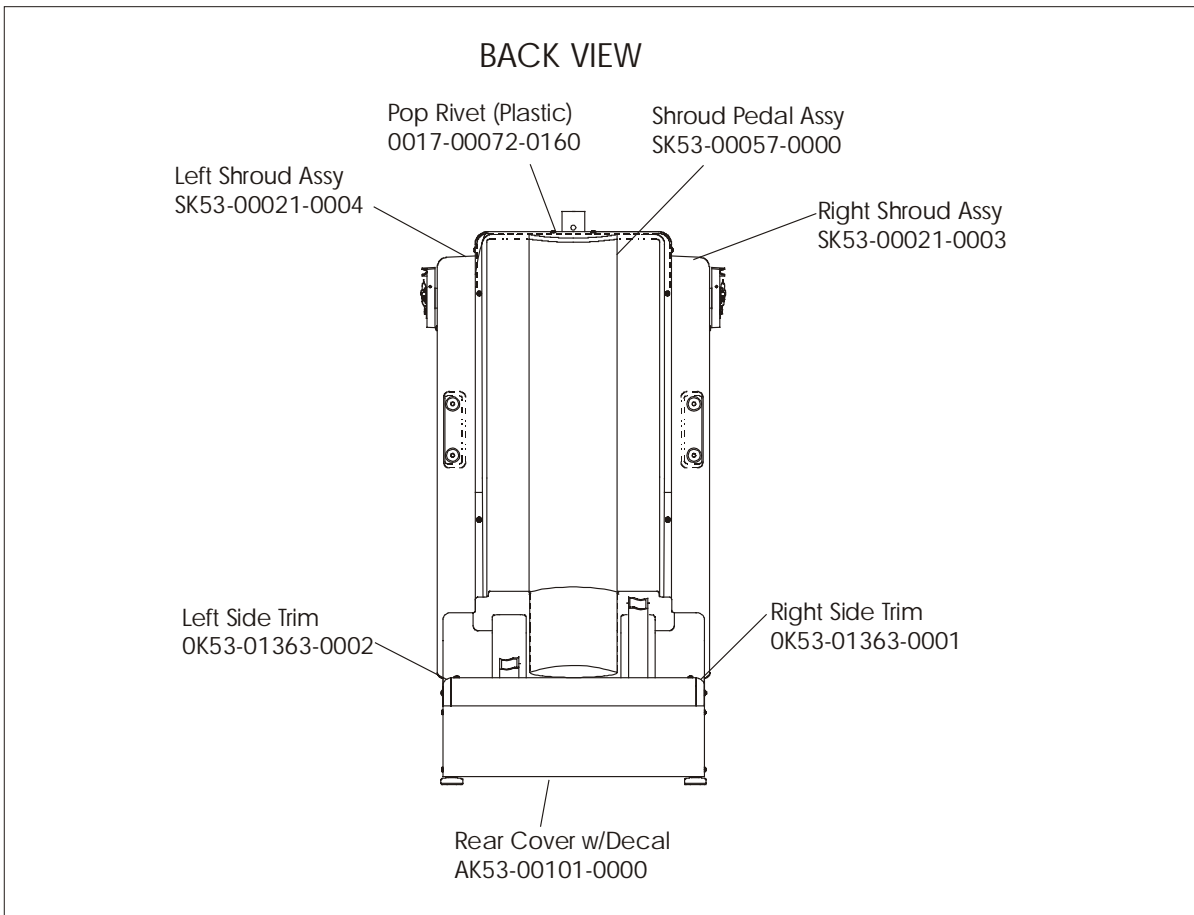
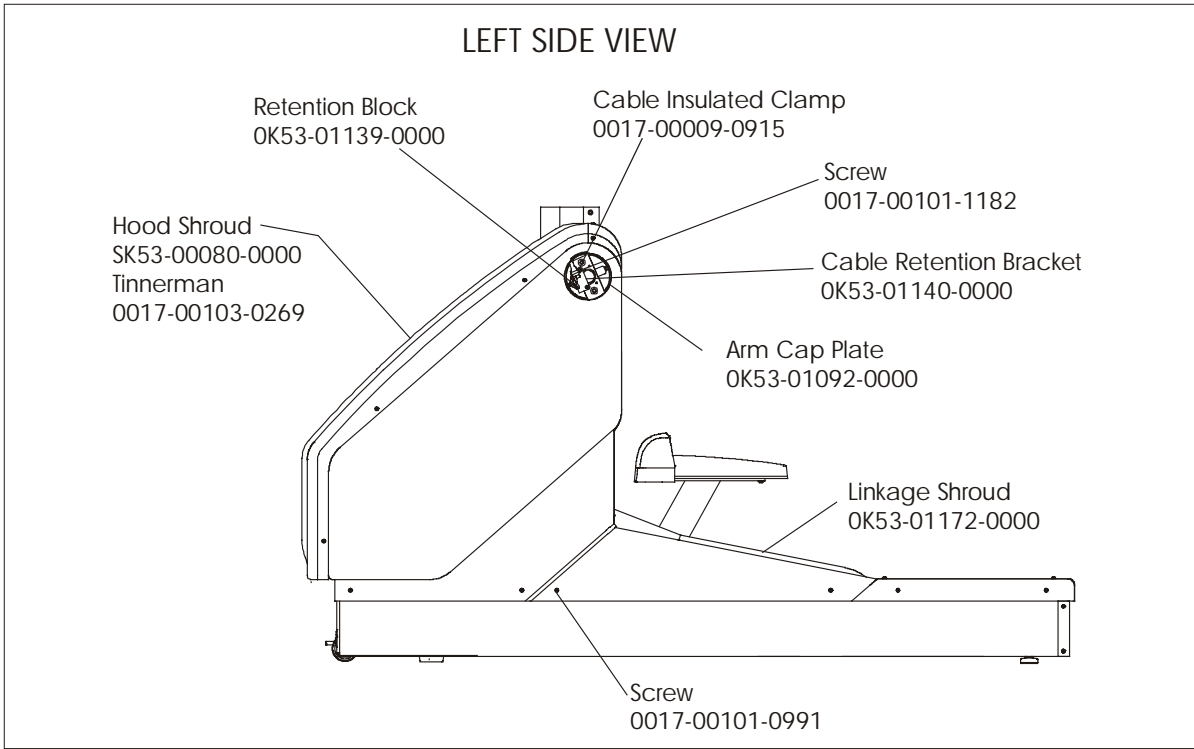
Battery Cover
 OK36-01035-0006



Screw
 0017-00101-0823 (6)

CT9500 Cross-Trainer CT95-0XXXX-14

Shrouds



CT9500 Cross-Trainer **CT95-0XXXX-14** Tray Assembly

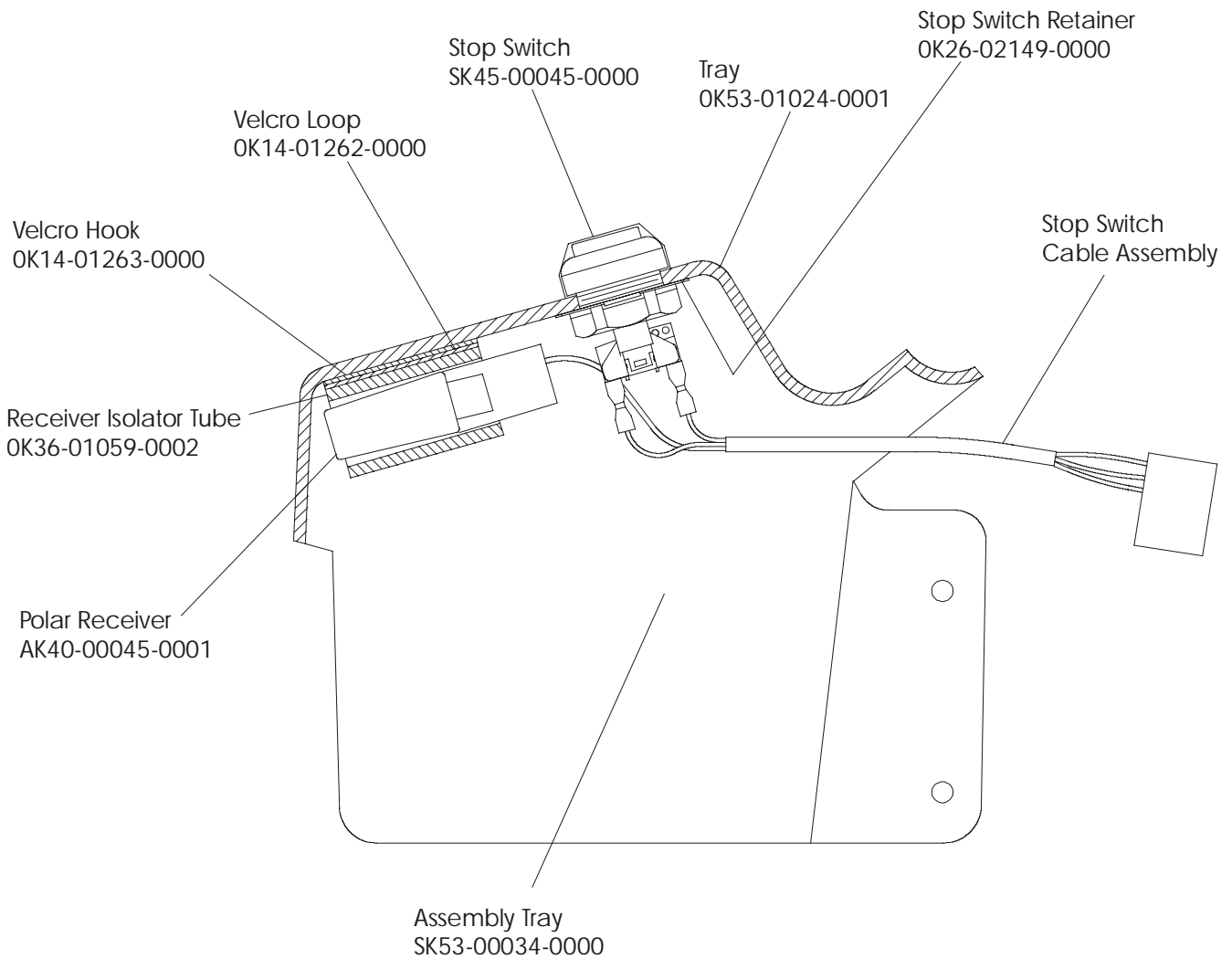
Trim
OK53-01226-0000

Plate w/Decal	Language	Decal
AK53-00087-0001	English	OK53-01133-0001
AK53-00087-0003	German	OK53-01133-0003
AK53-00087-0004	Spanish	OK53-01133-0004
AK53-00087-0005	Swedish	OK53-01133-0005
AK53-00087-0006	Japanese	OK53-01133-0006
AK53-00087-0007	French	OK53-01133-0007
AK53-00087-0008	Italian	OK53-01133-0008
AK53-00087-0009	Dutch	OK53-01133-0009
AK53-00087-0010	Portuguese	OK53-01133-0010

Screw
0017-00101-1033

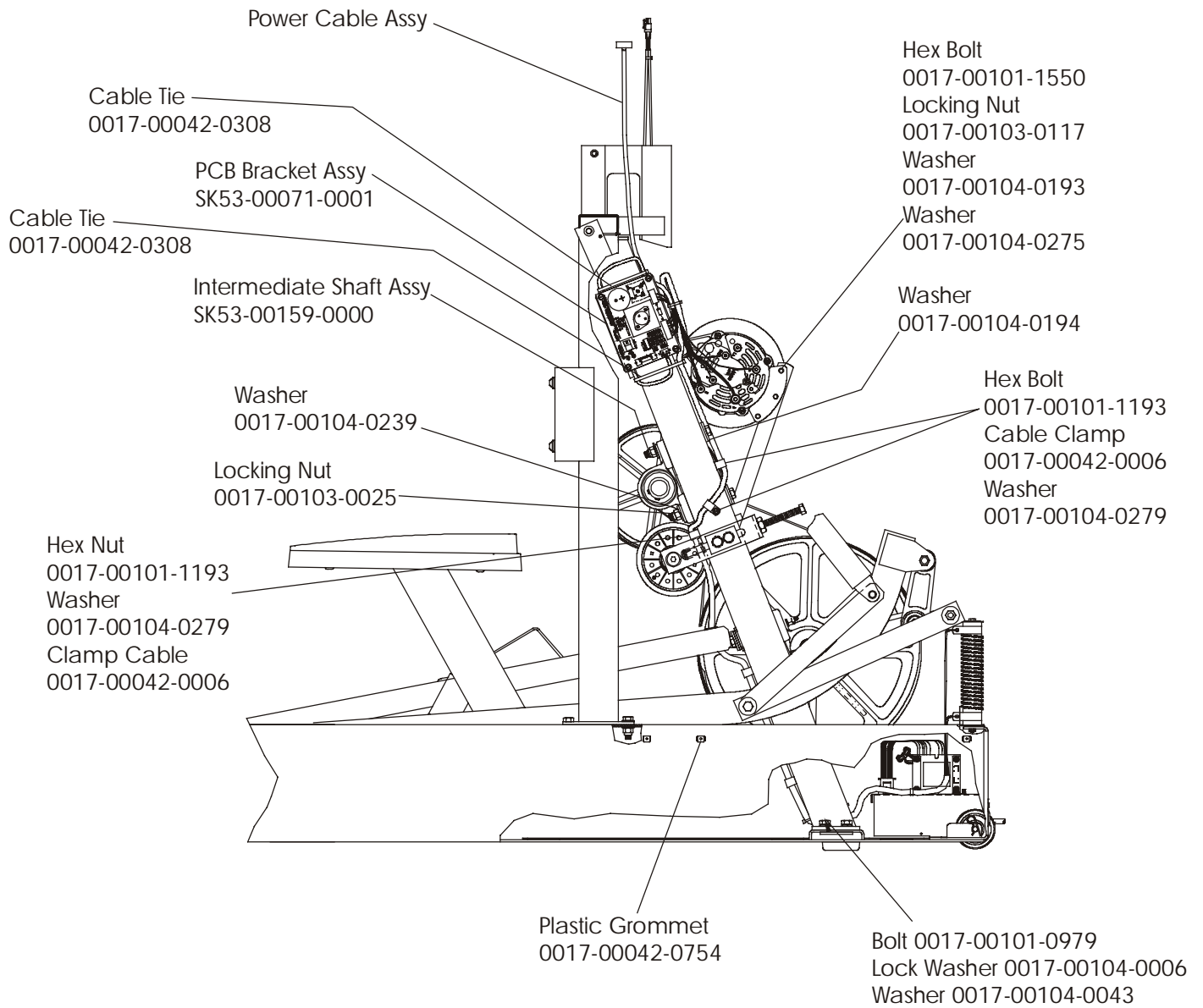
Washer
0017-00101-1060

Column
AK53-00063-0001



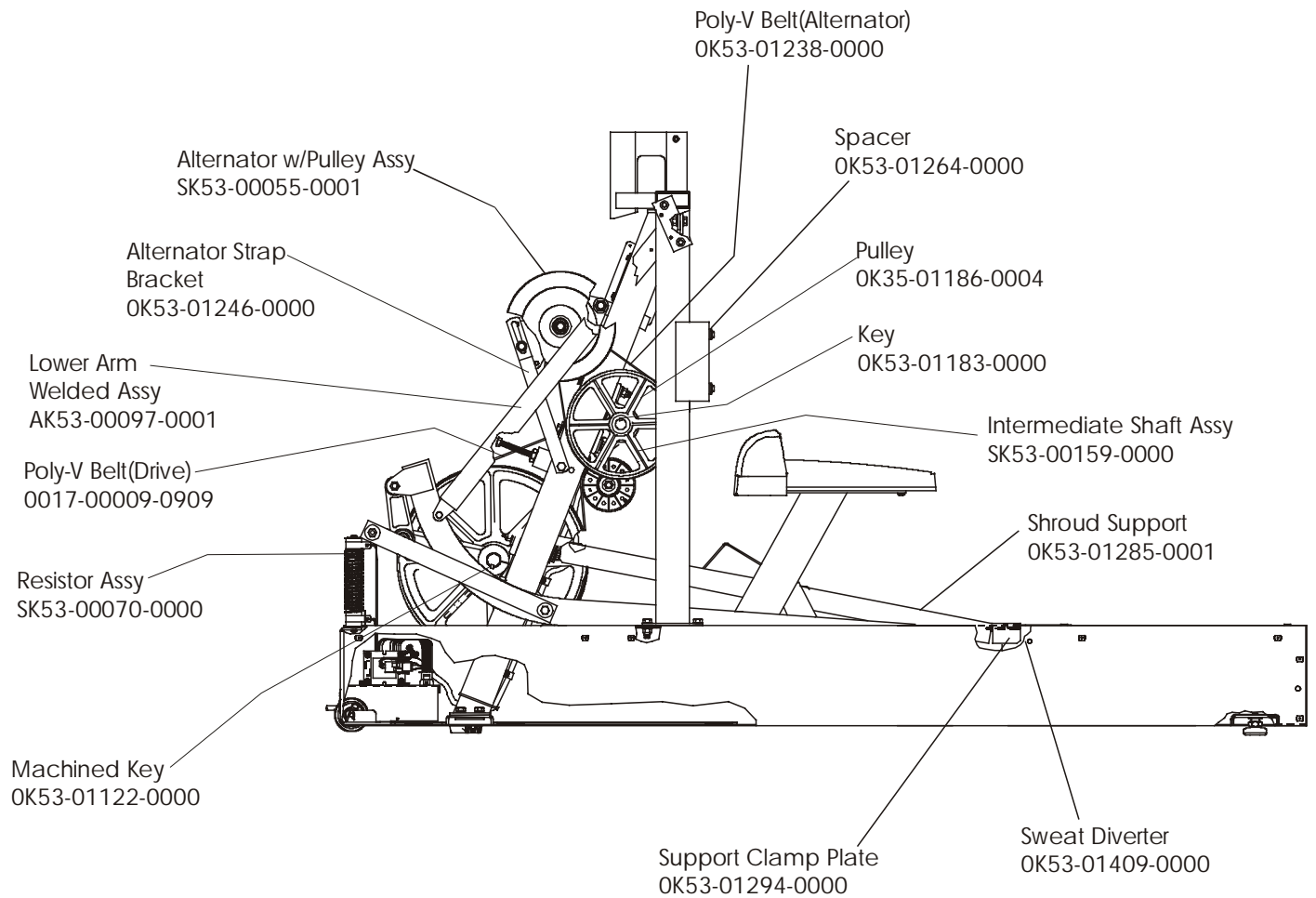
CT9500 Cross-Trainer CT95-0XXXX-14

Right Drive Side



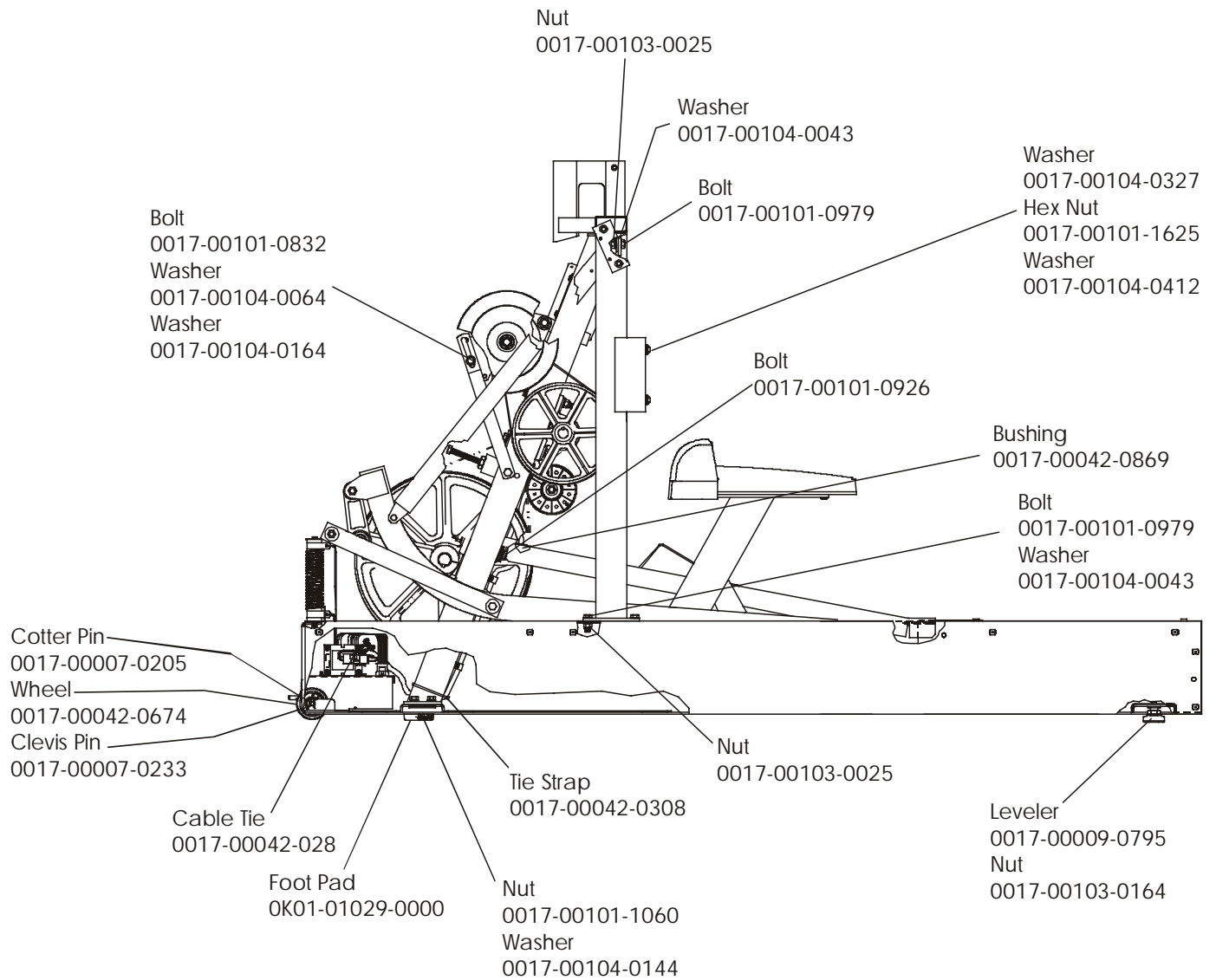
CT9500 Cross-Trainer CT95-0XXXX-14

Left Drive Side

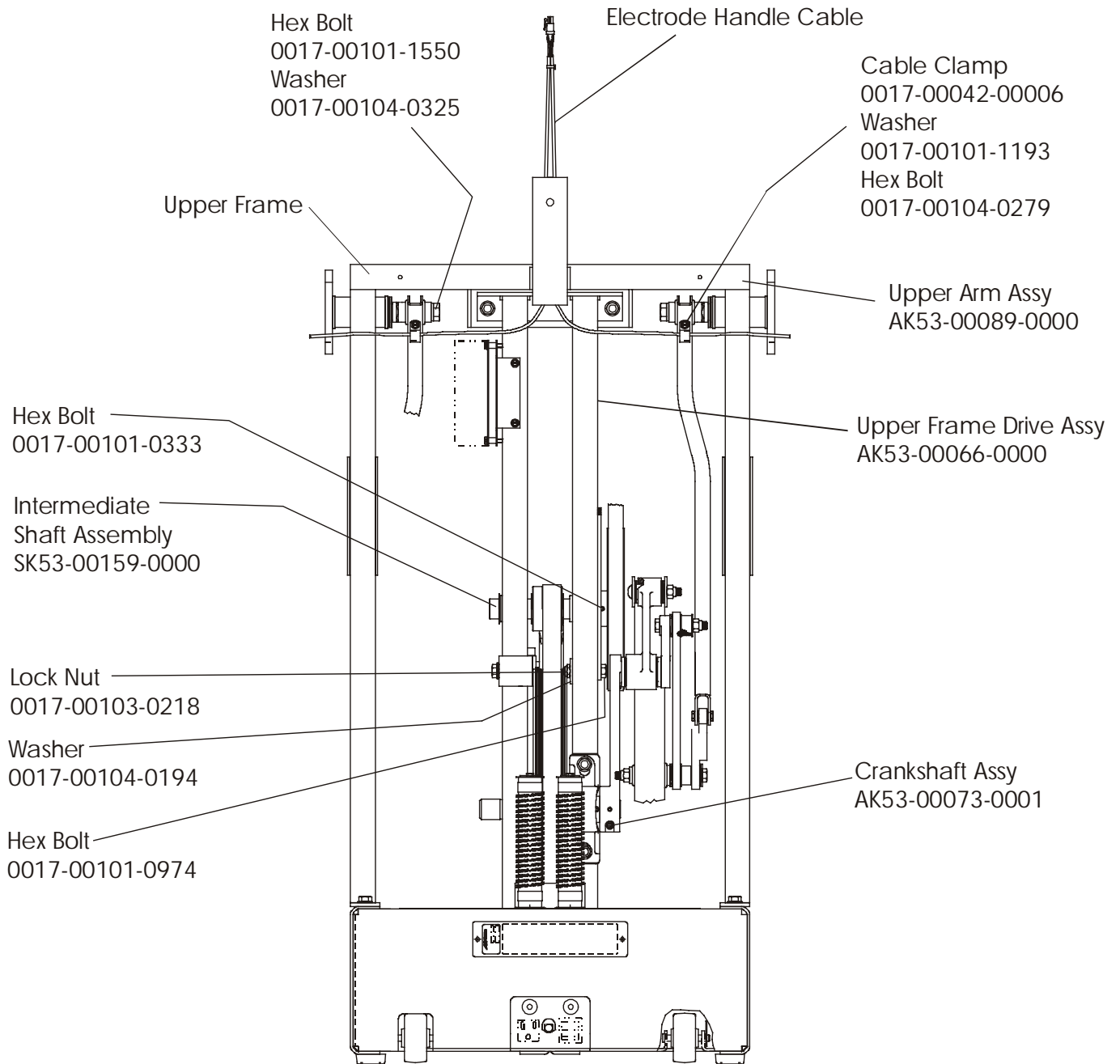


CT9500 Cross-Trainer CT95-0XXXX-14

Left Drive Side Hardware

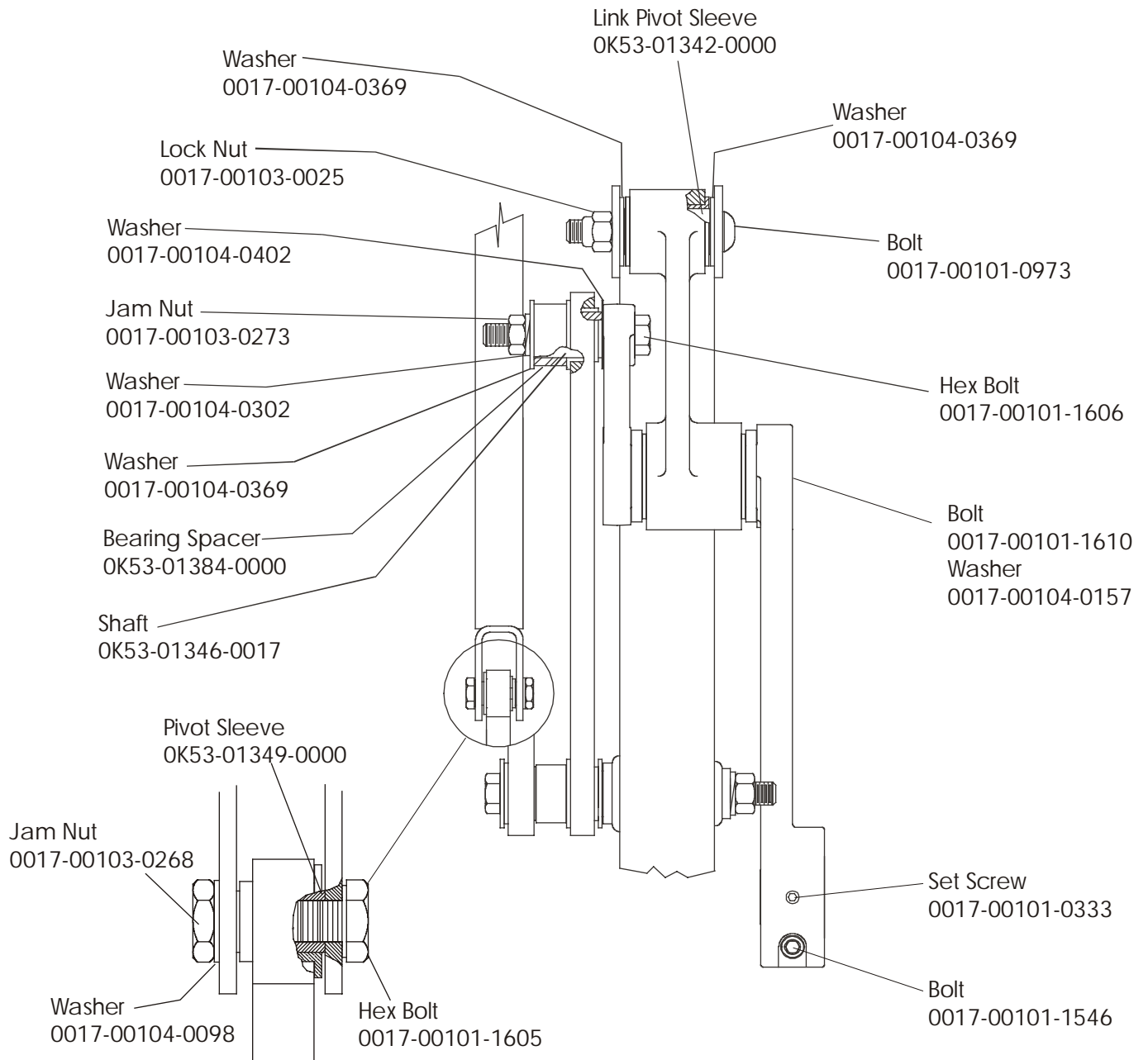


CT9500 Cross-Trainer CT95-0XXXX-14
Front Drive Linkage

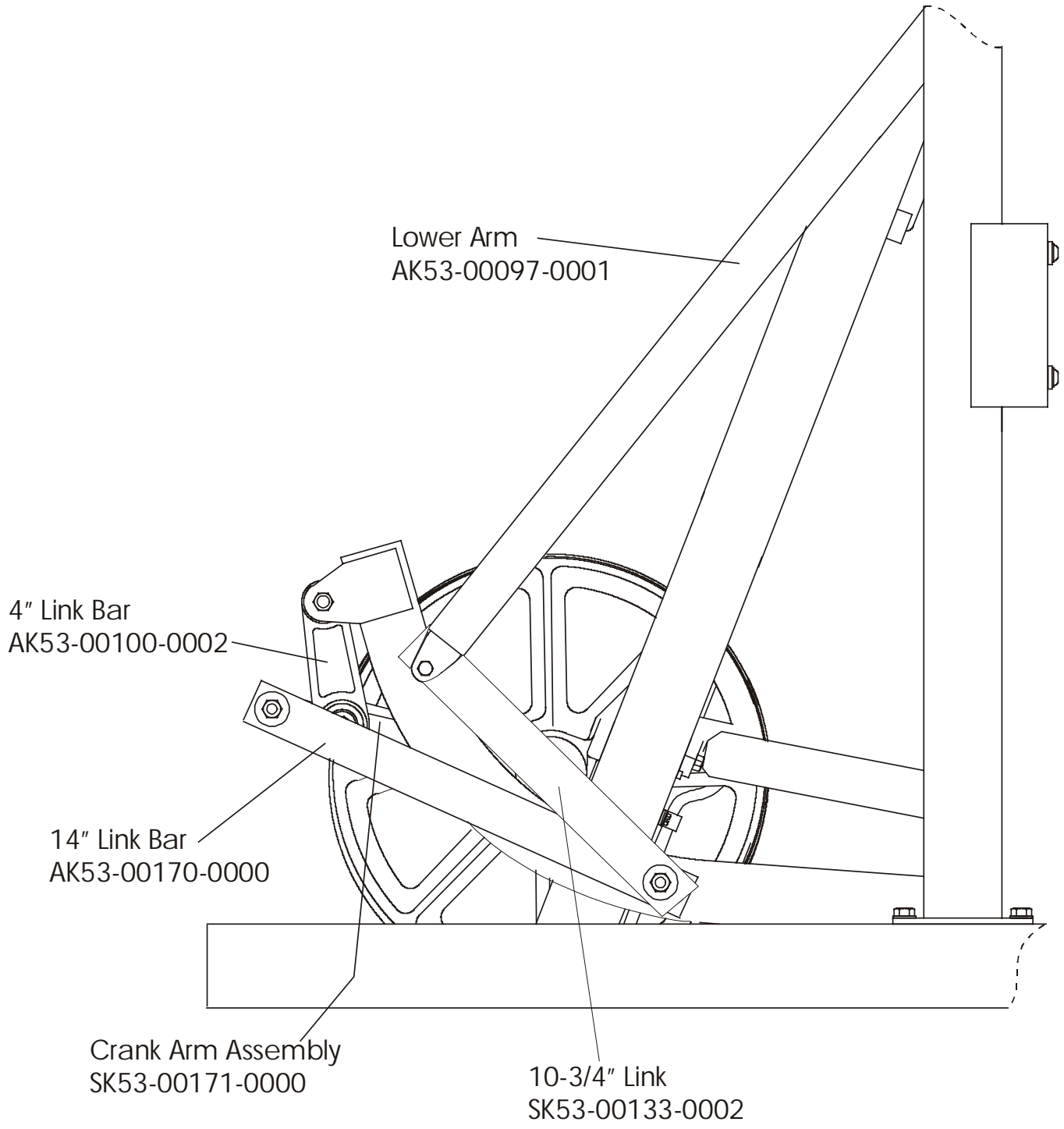


CT9500 Cross-Trainer CT95-0XXXX-14

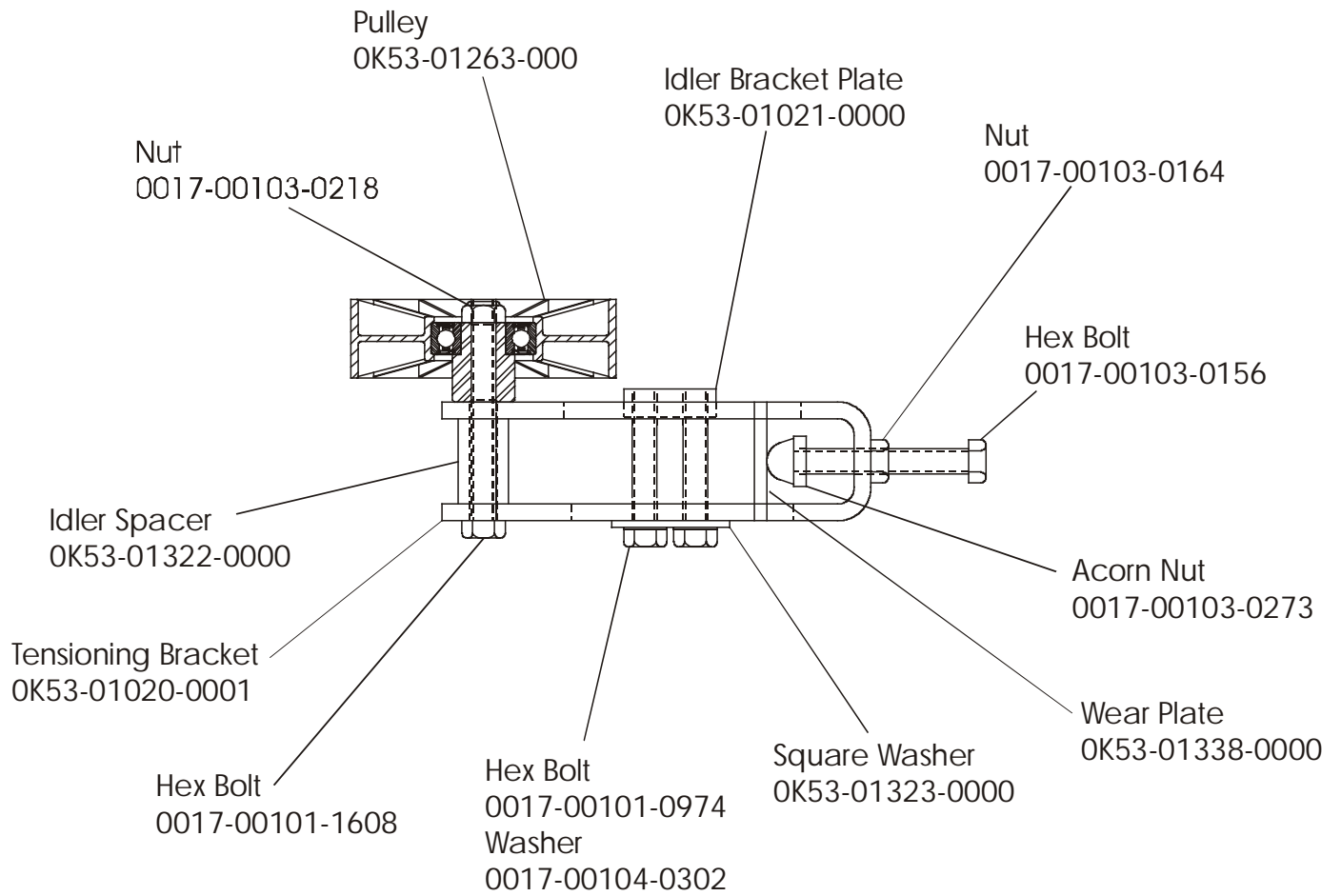
Linkage Hardware



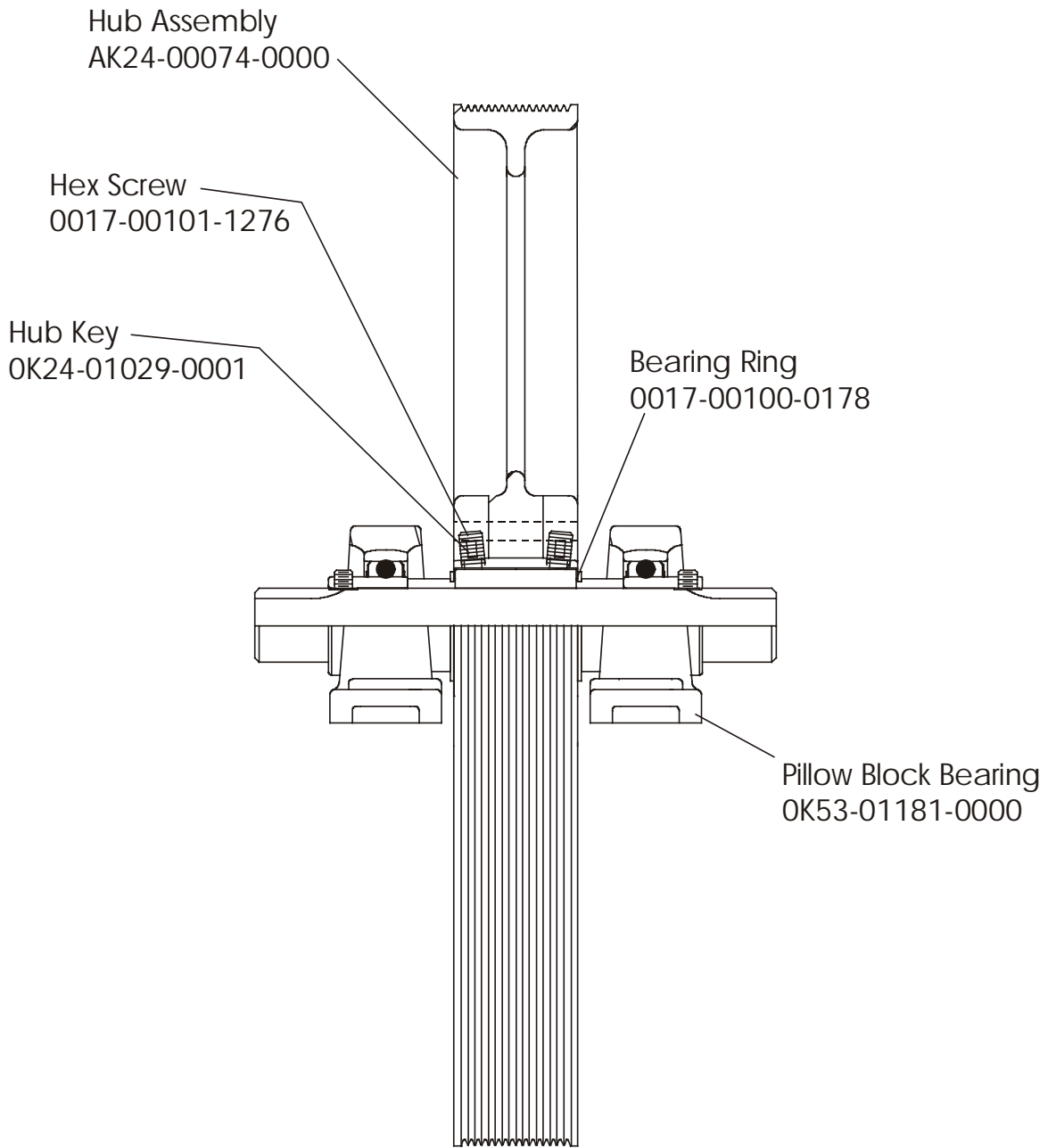
CT9500 Cross-Trainer CT95-0XXXX-14
Linkage



CT9500 Cross-Trainer CT95-0XXXX-14
Lower Arm Idler Bracket Assembly GK53-00002-0012



CT9500 Cross-Trainer CT95-0XXXX-14
Crankshaft Pulley Assembly SK53-00073-0001



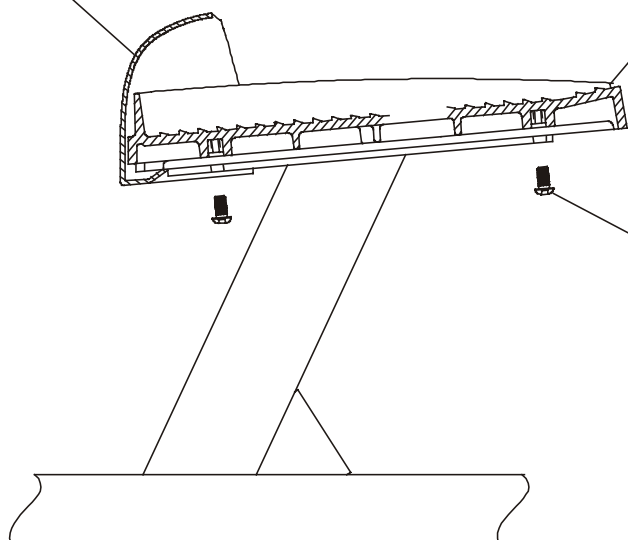
CT9500 Cross-Trainer CT95-0XXXX-14

Pedal Lever/Roller Assembly RT-SK53-00198-0001, LT-SK53-00198-0002

Toe Guard Kit (2)
GK53-00002-0030

Pedal
OK53-01027-0001

TORX Screw
0017-00101-1633



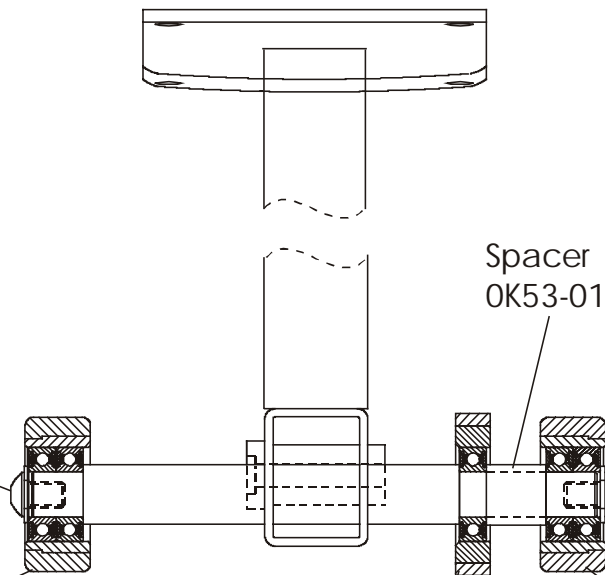
TORX Screw
0017-00101-1654

Spacer
OK53-01343-0000

Roller
SK53-00092-0001

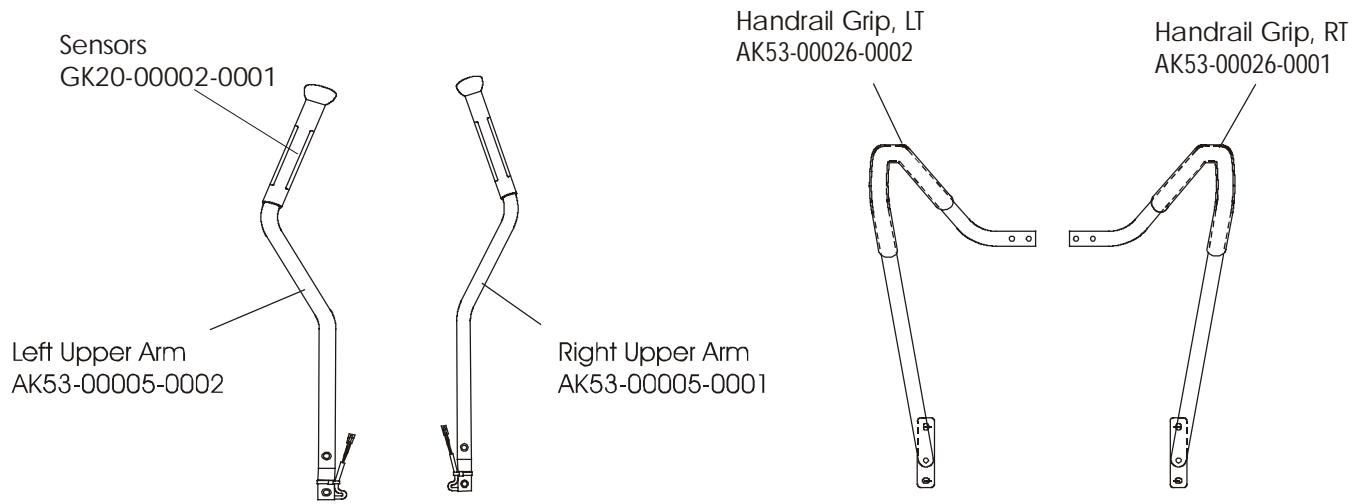
Anti-Lift Roller
SK53-00091-0000

Roller Bearing Assy
SK53-00092-0001

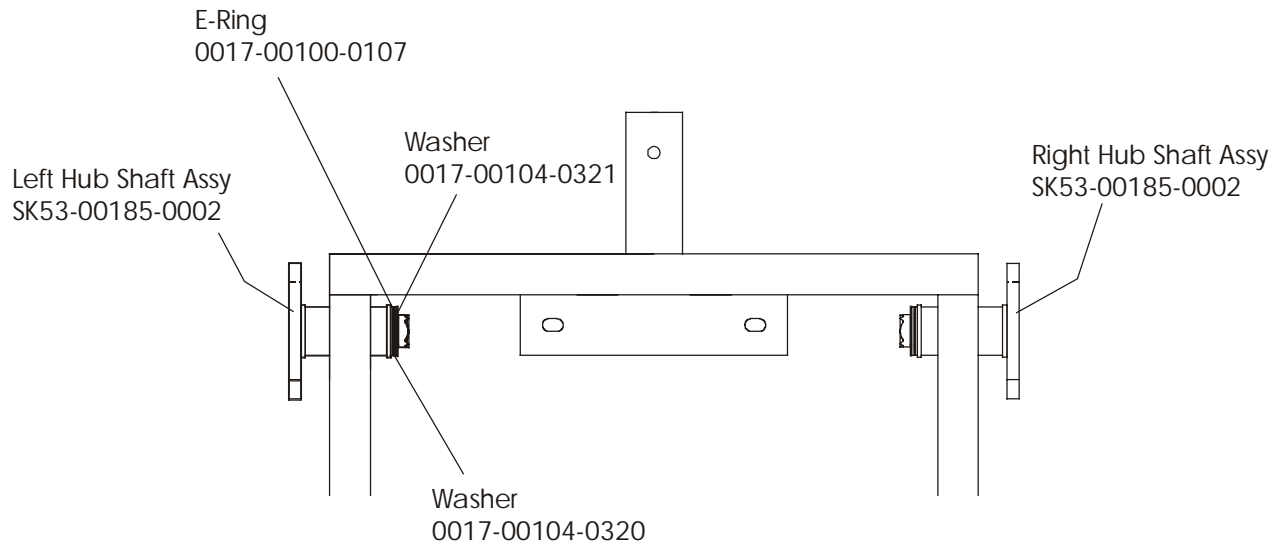


CT9500 Cross-Trainer CT95-0XXXX-14

Upper Arms and Frame

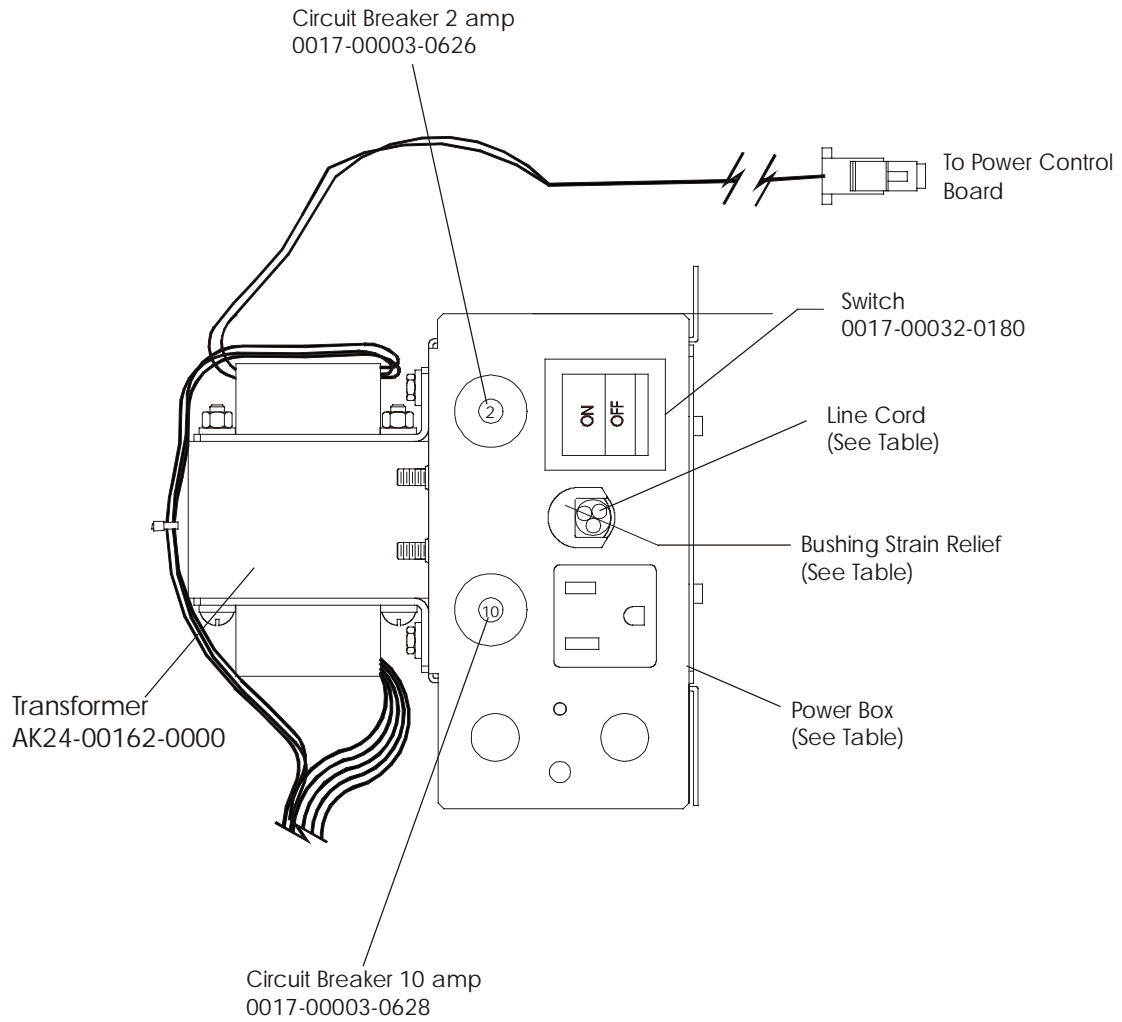


UPPER FRAME ASSEMBLY AK53-00089-0000



CT9500 Cross-Trainer CT95-0XXXX-14

Power Box



Voltage	Power Box Assy	Line Cord Assy	Bushing Strain Relief
120v/60	AK53-00094-0001	AK01-00015-0000	0017-00042-0758
100v/50	AK53-00094-0002	AK01-00015-0000	0017-00042-0758
110v/50	AK53-00094-0003	AK24-00169-0000	0017-00042-0786
200v/50	AK53-00094-0004	AK24-00241-0000	0017-00042-0786
220v/50	AK53-00094-0005	AK01-00015-0002	0017-00042-0786
220v/60	AK53-00094-0006	AK24-00241-0000	0017-00042-0786
240v+	AK53-00094-0007	AK01-00015-0002	0017-00042-0786

NOTE: For 120v/60 - 12' Line Cord order: GK53-00002-0013

CT9500 Cross-Trainer CT95-0XXXX-14

Block Diagram

