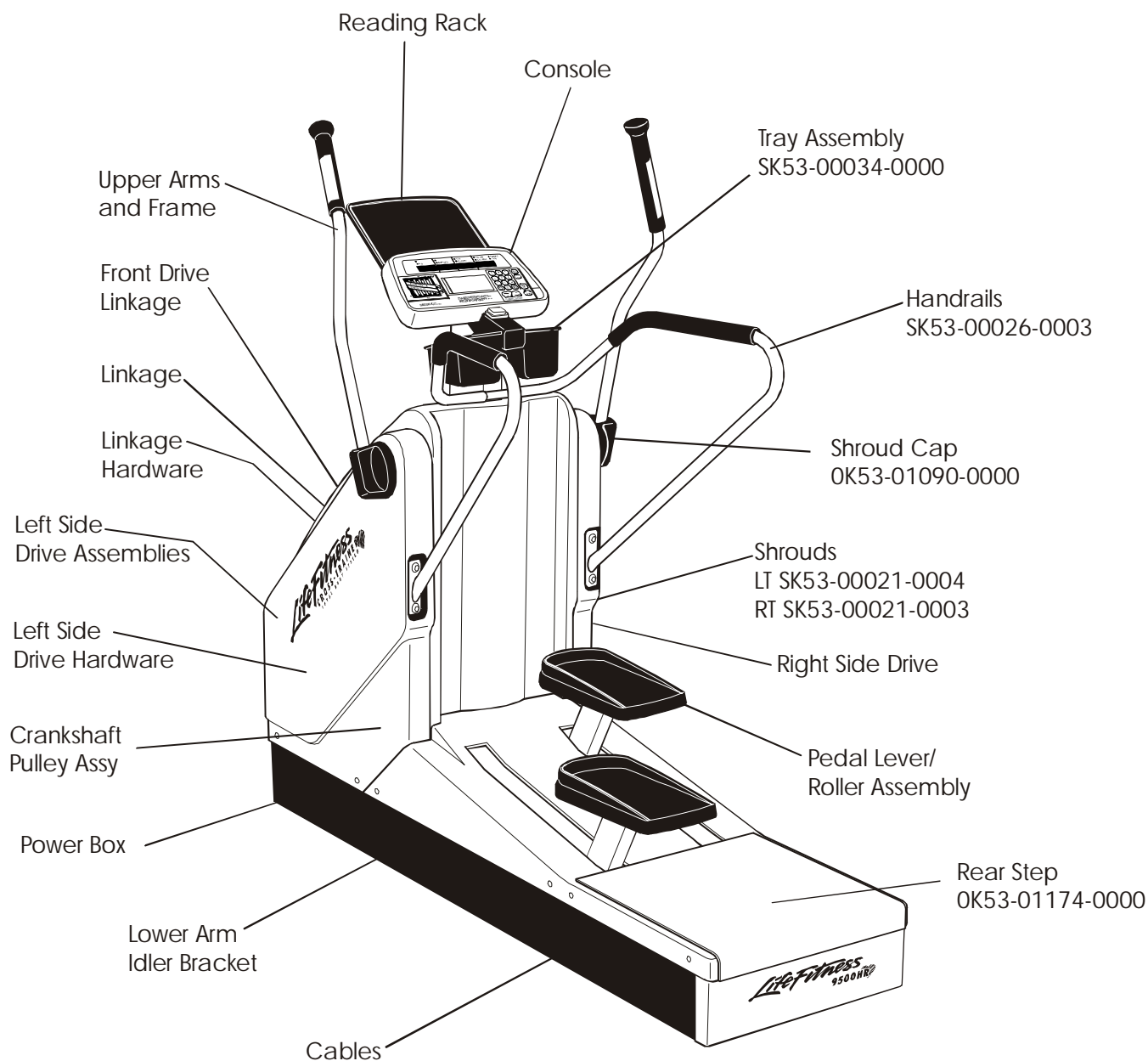


# CT9500 Cross-Trainer CT95-0XXXX-18

## General Assembly



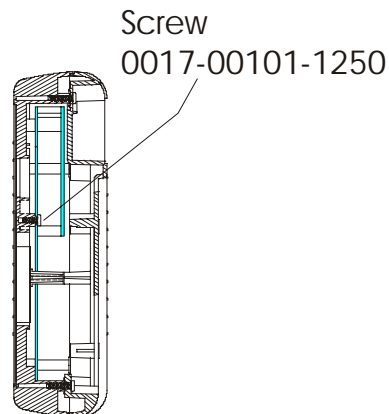
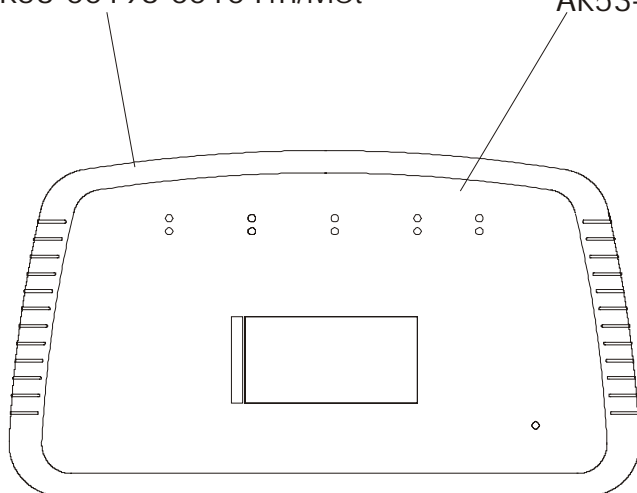
<b>Bag Assembly</b>	<b>AK53-00045-0001</b>
<b>Hardware Bag</b>	<b>AK53-00044-0000</b>
<b>Install Manual</b>	<b>M051-00K20-C088</b>
<b>Operator Manual</b>	<b>M051-00K20-A040</b>
<b>Service Manual</b>	<b>M051-00K53-A011</b>

# CT9500 Cross-Trainer CT95-0XXXX-18

## Console Assembly

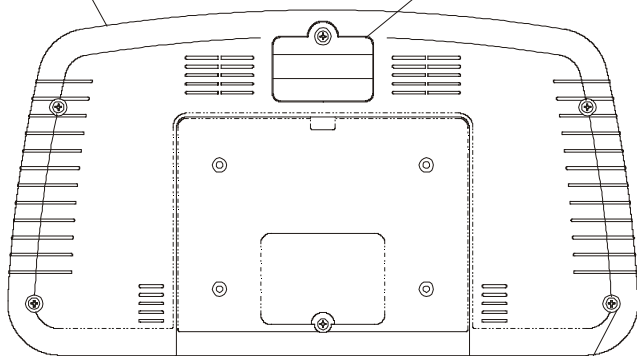
Console Assembly  
 SK53-00196-0001 Eng/Met  
 AK53-00196-0002 Eng/Met  
 AK53-00196-0003 Ger/Met  
 AK53-00196-0004 Spn/Met  
 AK53-00196-0005 Spn/Met  
 AK53-00196-0006 CCD/Met  
 AK53-00196-0007 Frn/Met  
 AK53-00196-0008 Itl/Met  
 AK53-00196-0009 Dut/Met  
 AK53-00196-0010 Frn/Met

Overlay Bezel  
 SK53-00040-0001 Eng/Met  
 AK53-00040-0002 Eng/Met  
 AK53-00040-0003 Ger/Met  
 AK53-00040-0004 Spn/Met  
 AK53-00040-0005 Spn/Met  
 AK53-00040-0006 CCD/Met  
 AK53-00040-0007 Frn/Met  
 AK53-00040-0008 Itl/Met  
 AK53-00040-0009 Dut/Met  
 AK53-00040-0010 Frn/Met



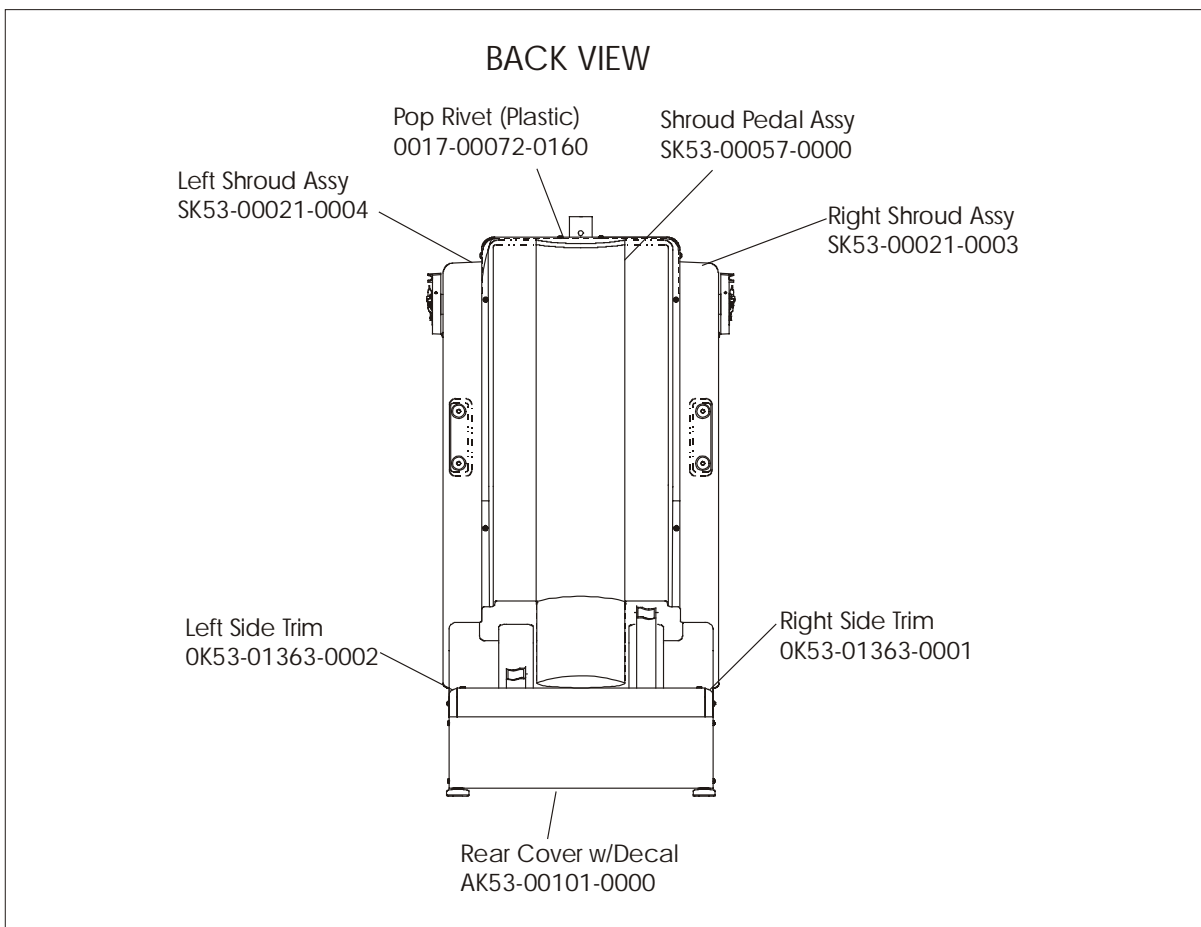
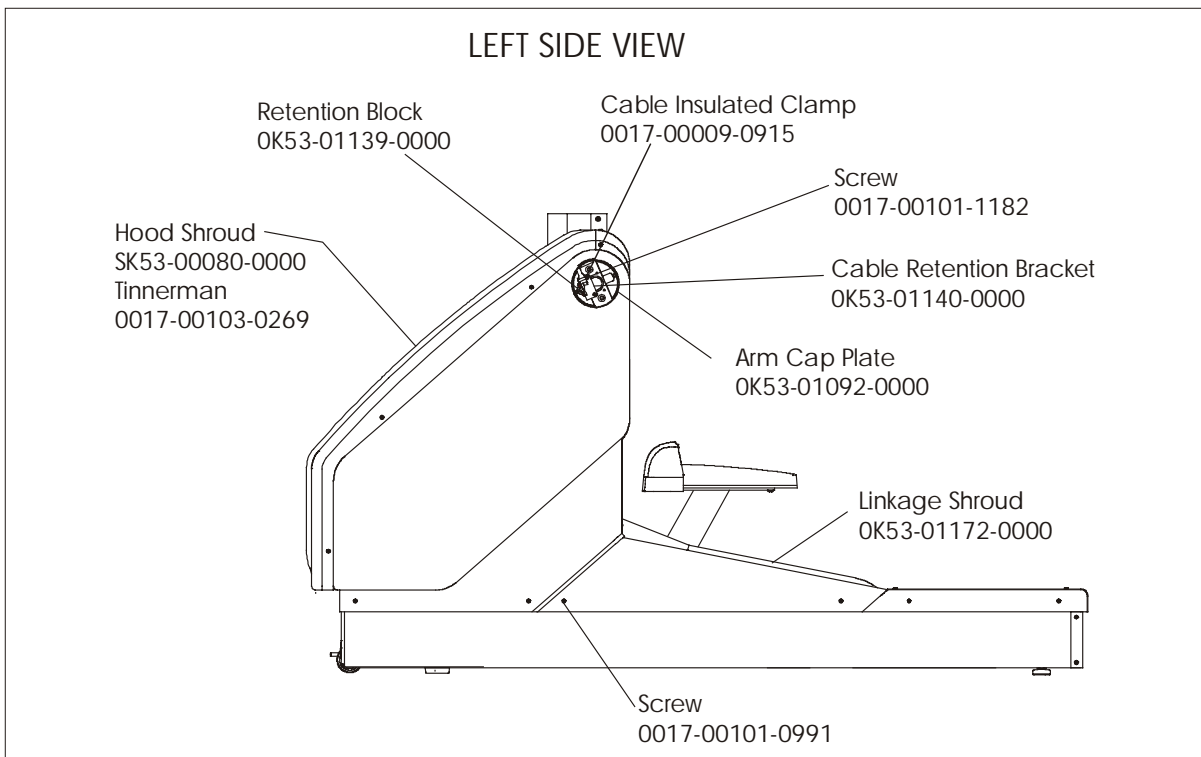
Console Case (Black)  
 OK36-01187-0008

Battery Cover  
 OK36-01035-0006



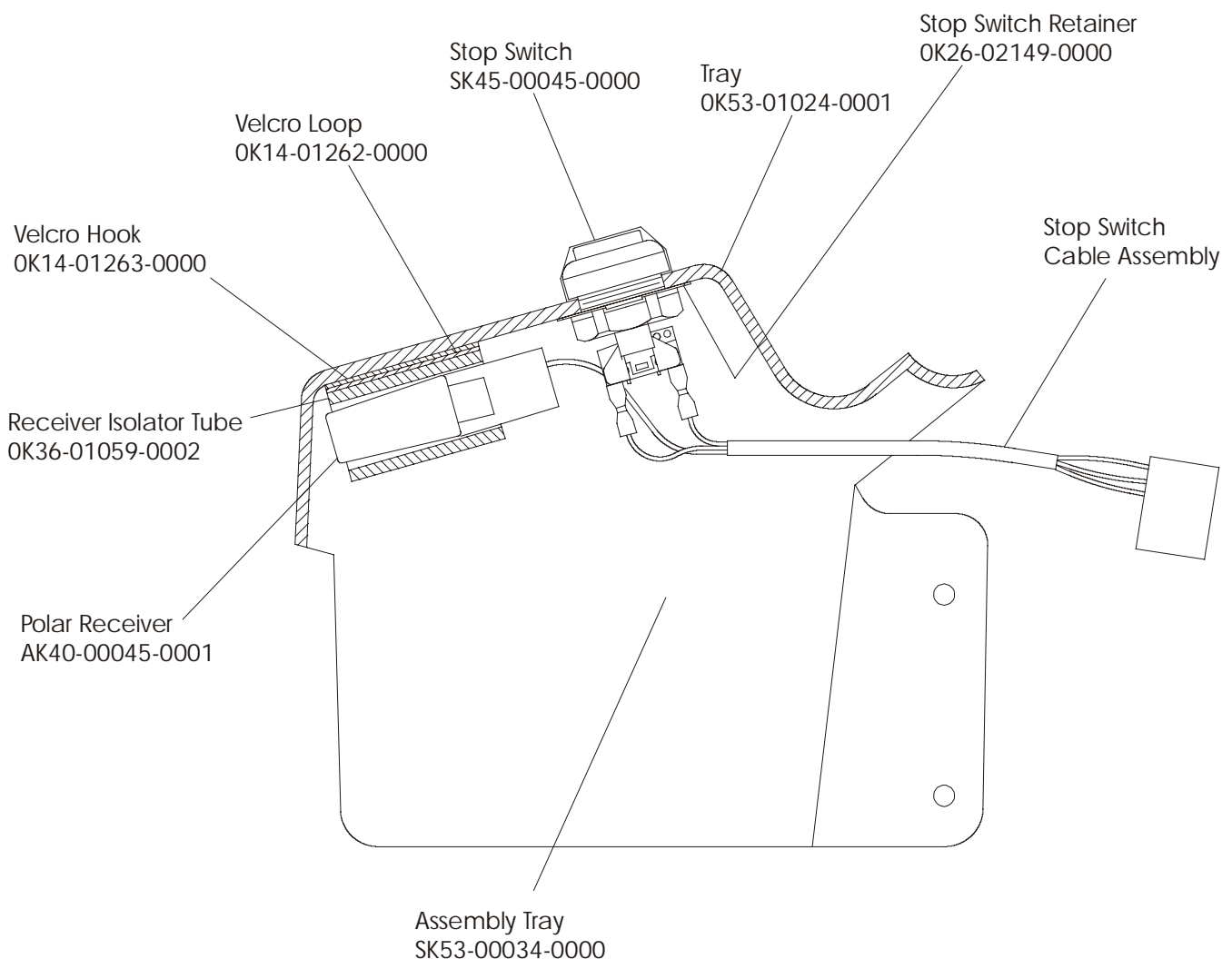
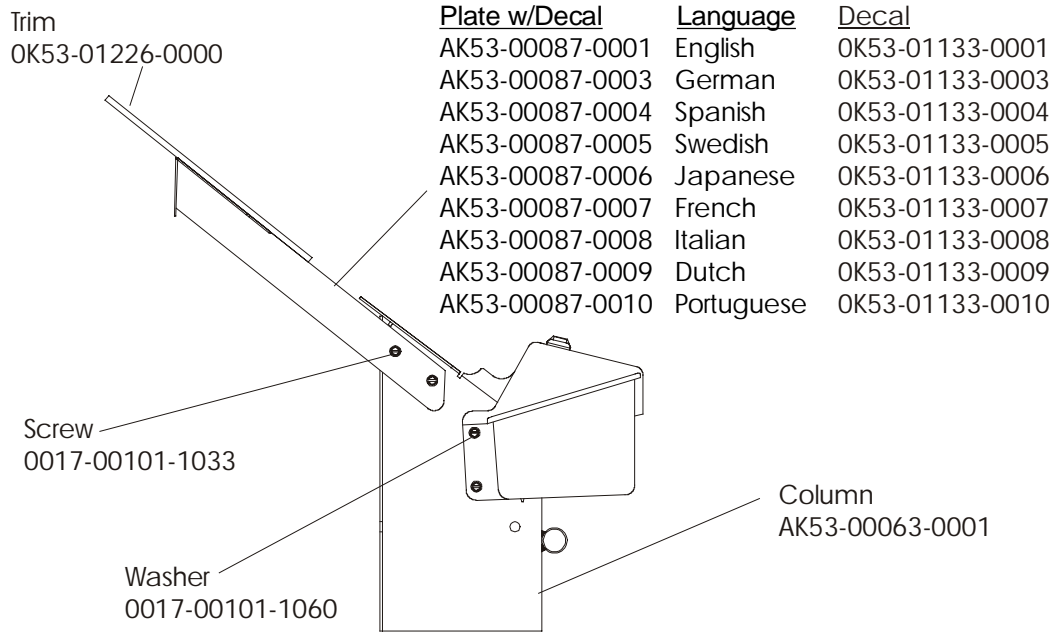
Screw  
 0017-00101-0823 (6)

# CT9500 Cross-Trainer CT95-0XXXX-18 Shrouds



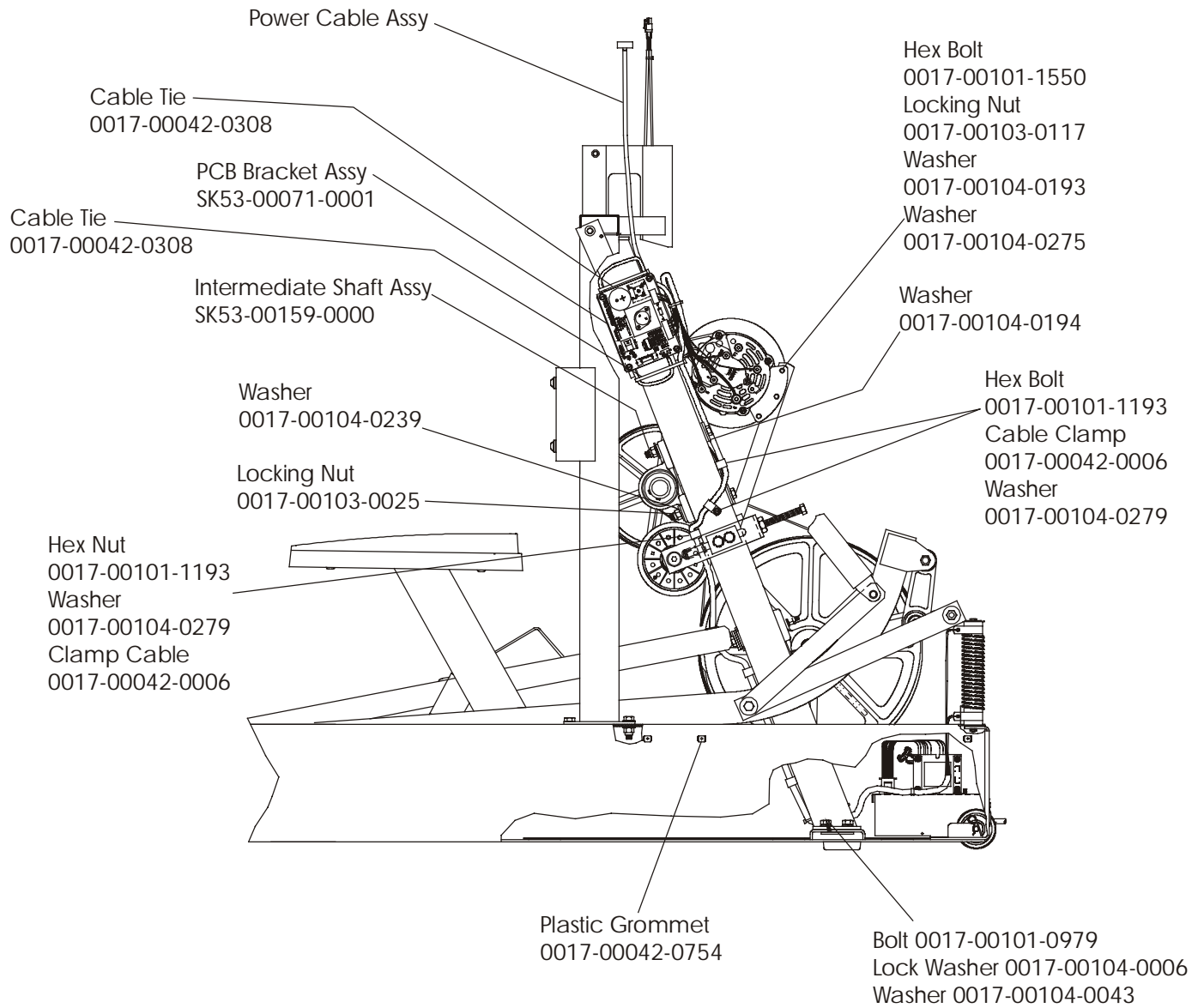
# CT9500 Cross-Trainer CT95-0XXXX-18

## Tray Assembly



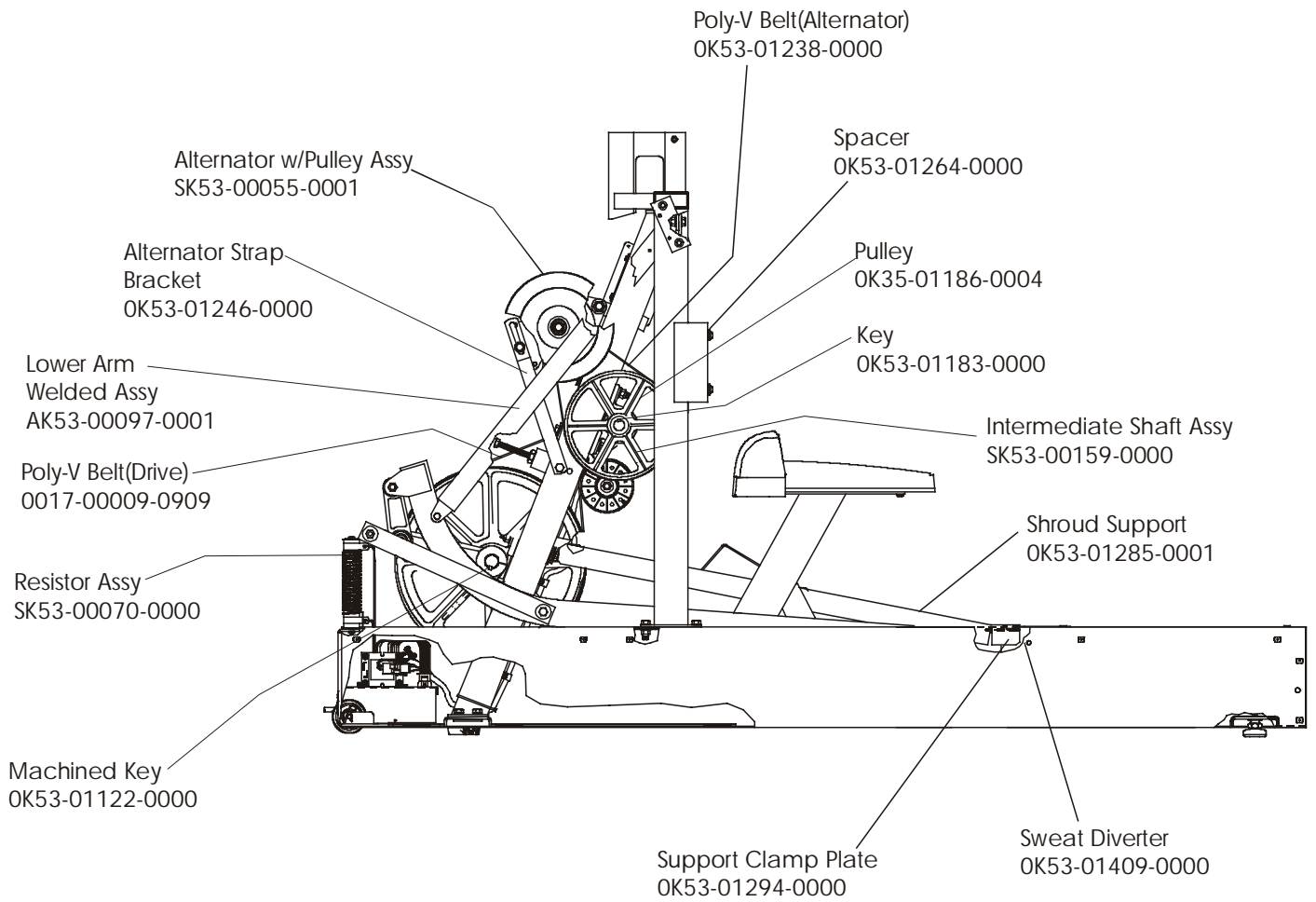
# CT9500 Cross-Trainer CT95-0XXXX-18

## Right Drive Side



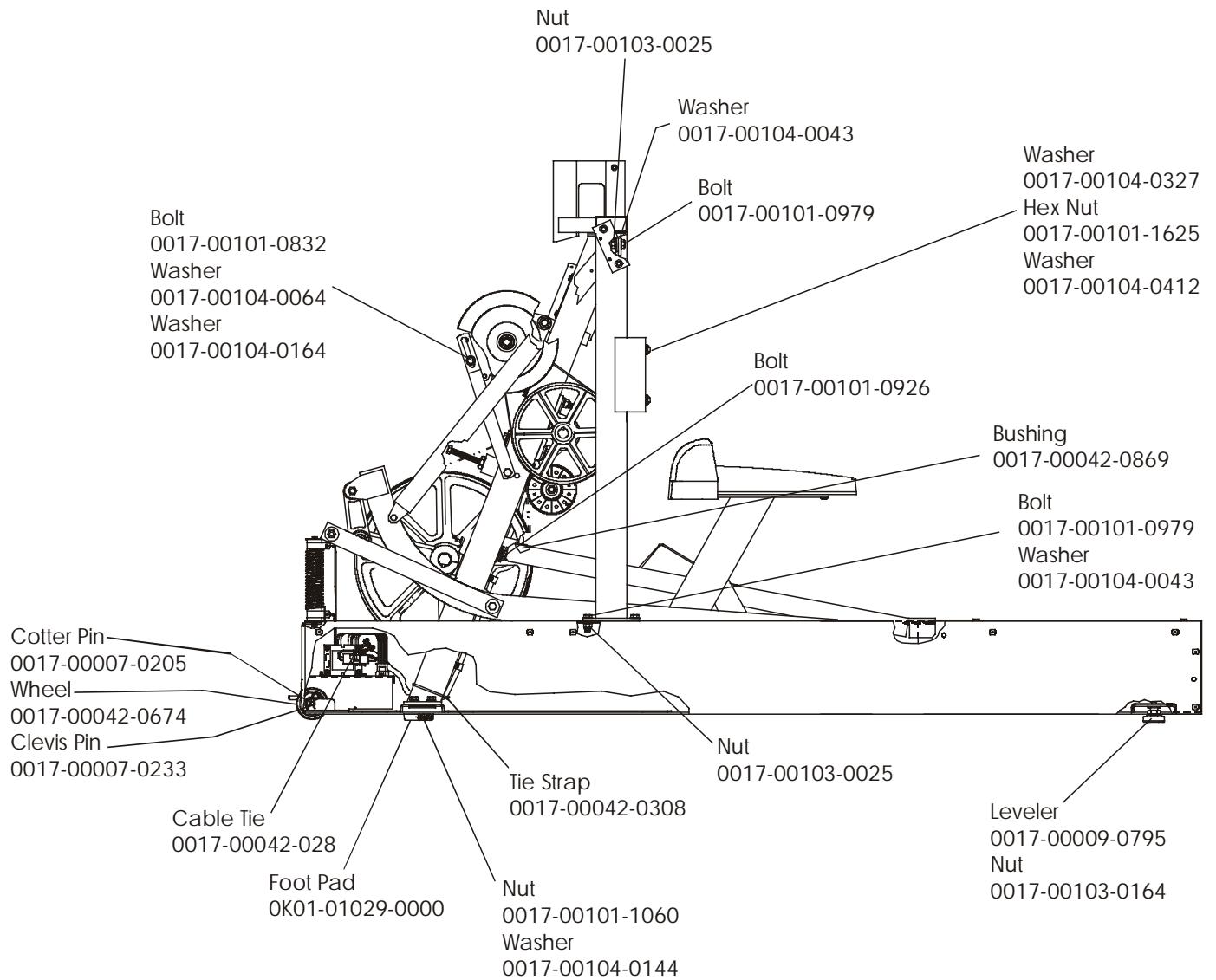
# CT9500 Cross-Trainer CT95-0XXXX-18

## Left Drive Side

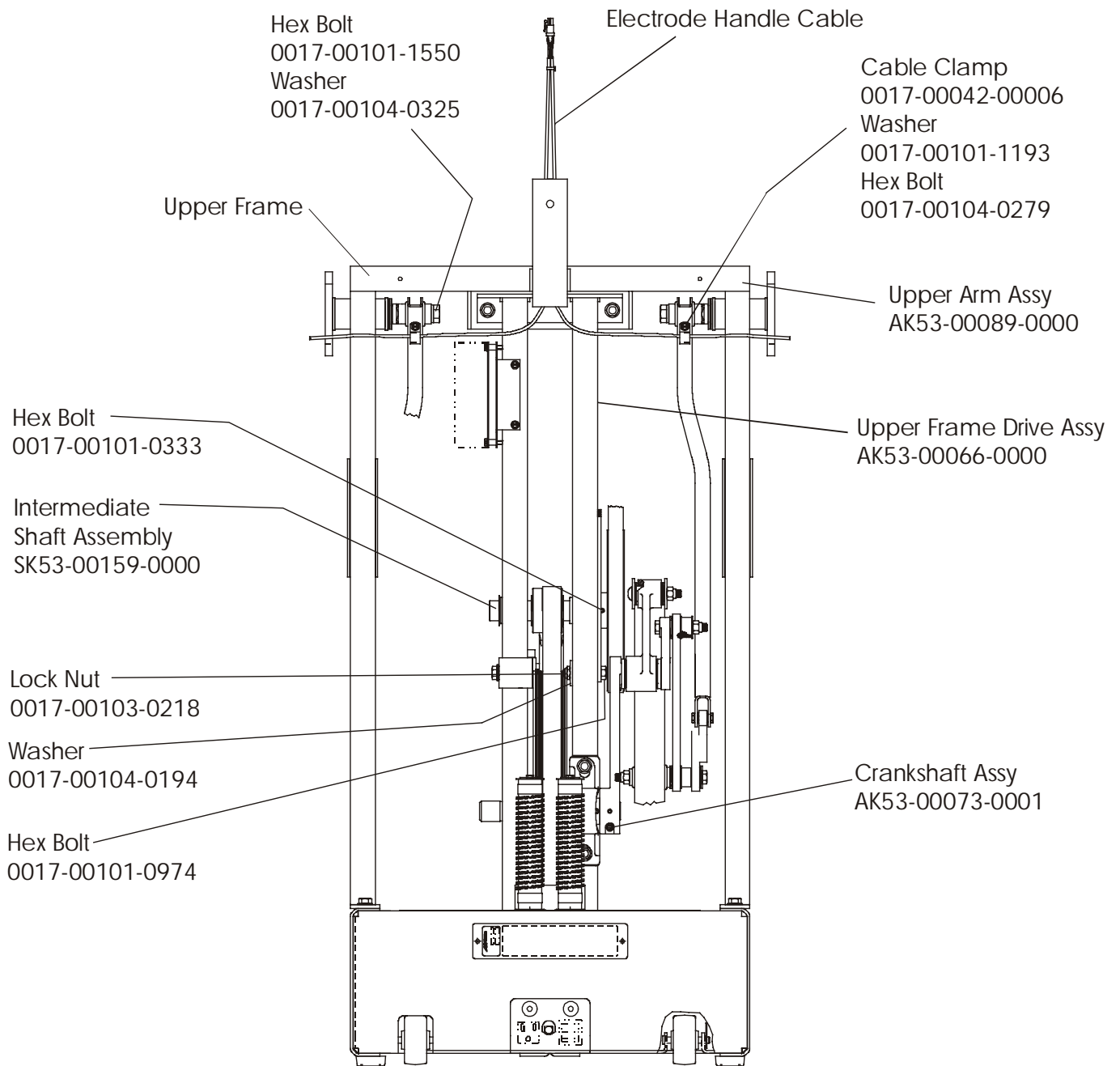


# CT9500 Cross-Trainer CT95-0XXXX-18

## Left Drive Side Hardware



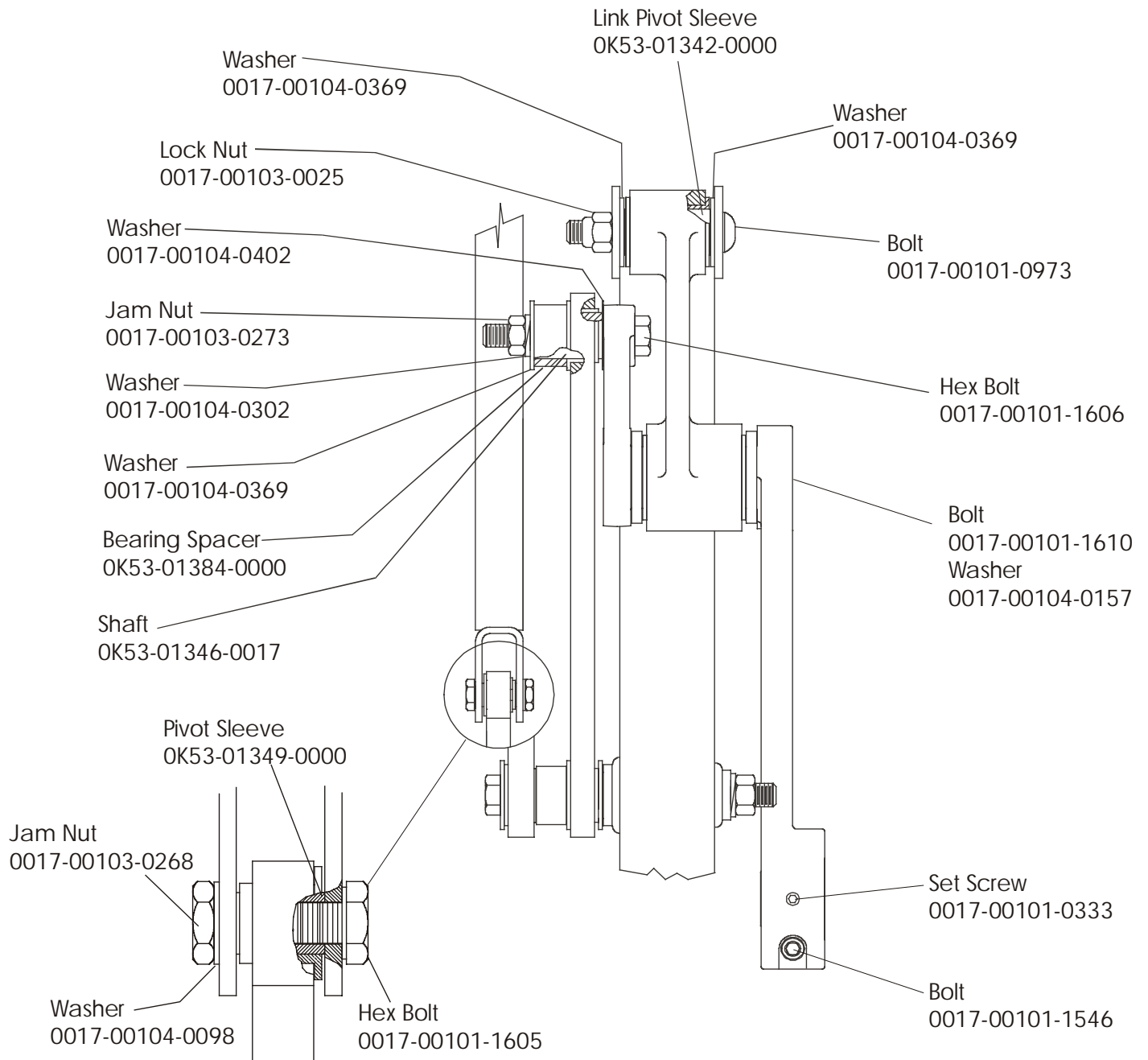
**CT9500 Cross-Trainer CT95-0XXXX-18**  
**Front Drive Linkage**





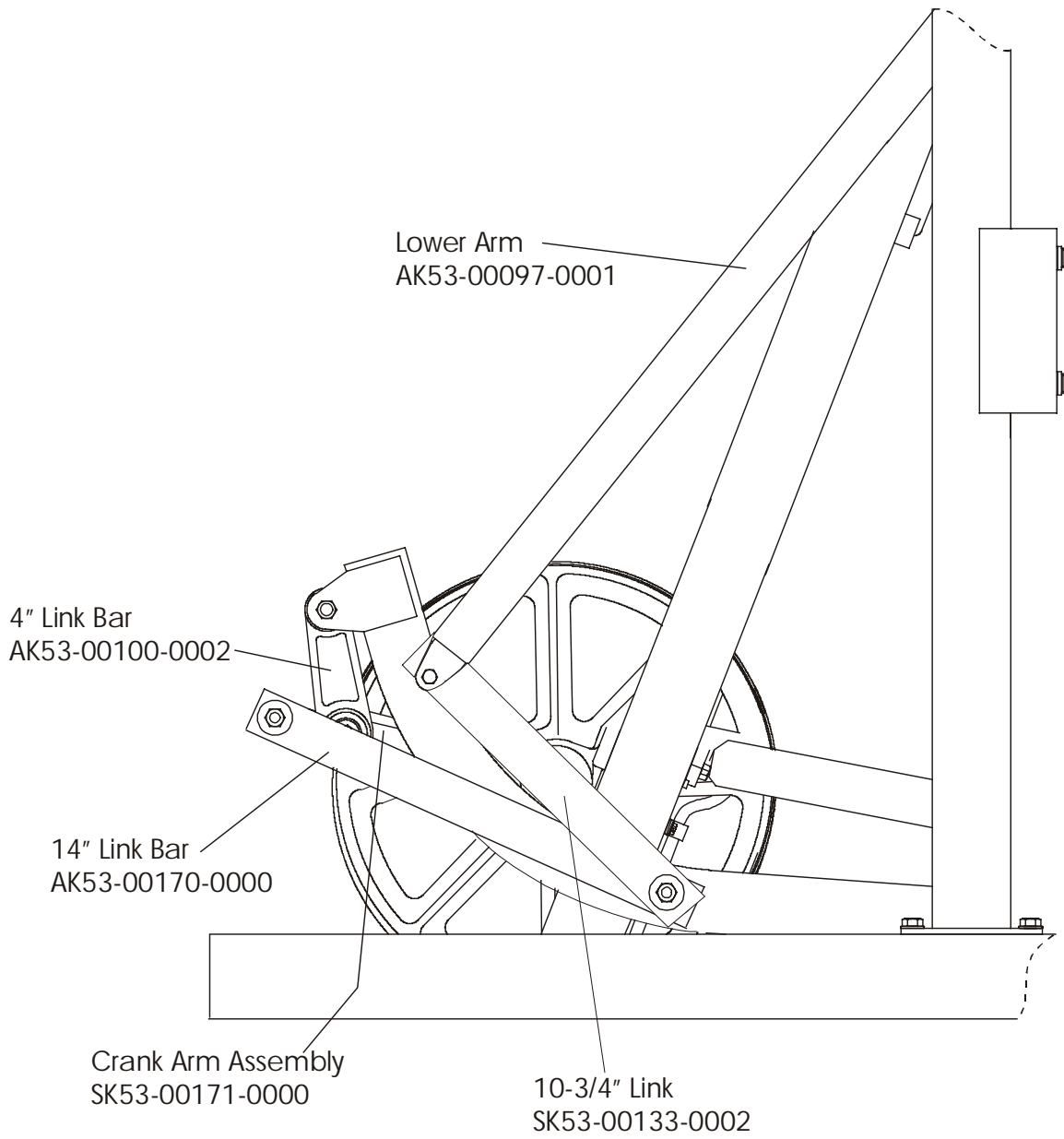
# CT9500 Cross-Trainer CT95-0XXXX-18

## Linkage Hardware



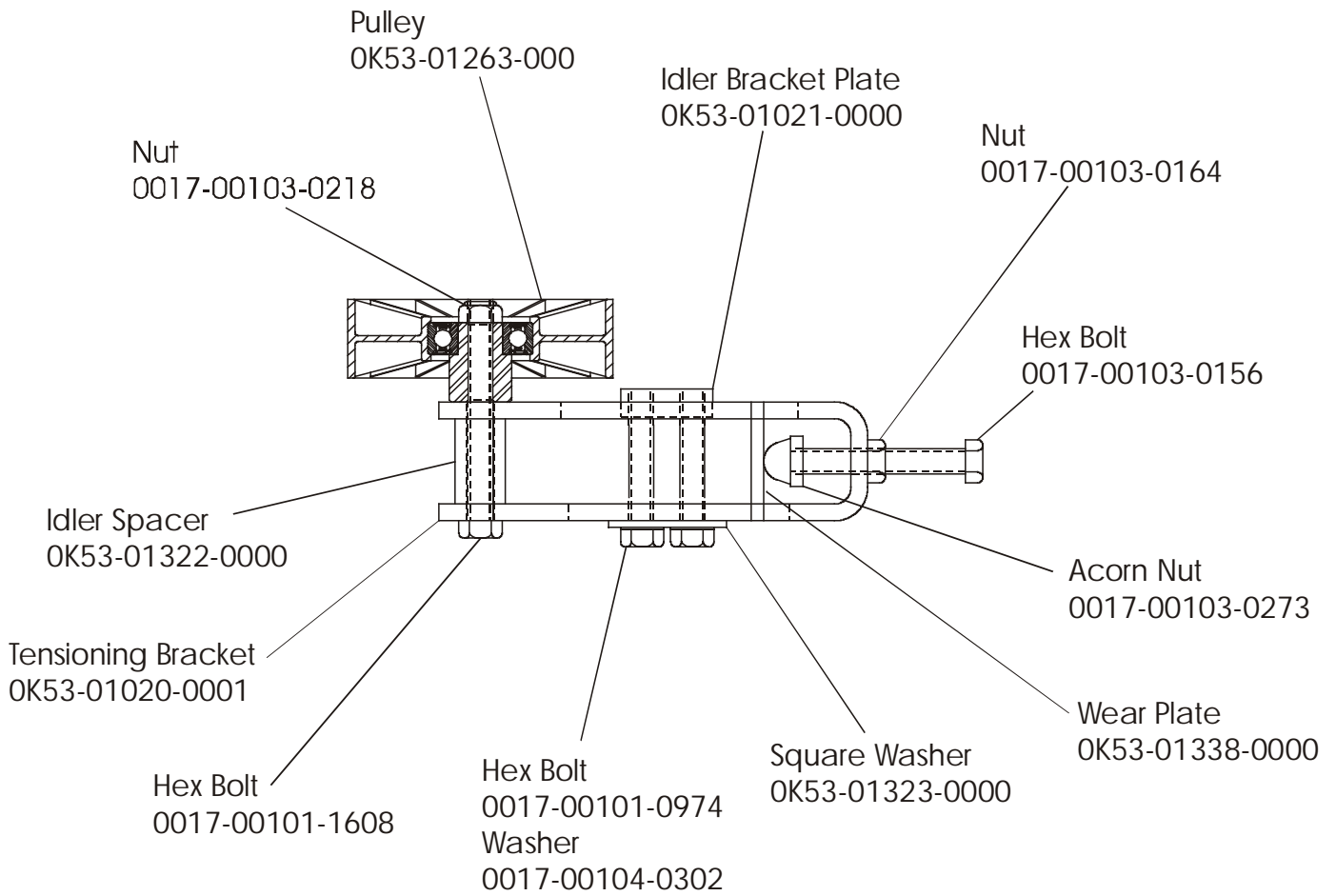
**CT9500 Cross-Trainer    CT95-0XXXX-18**  
**Linkage**

---



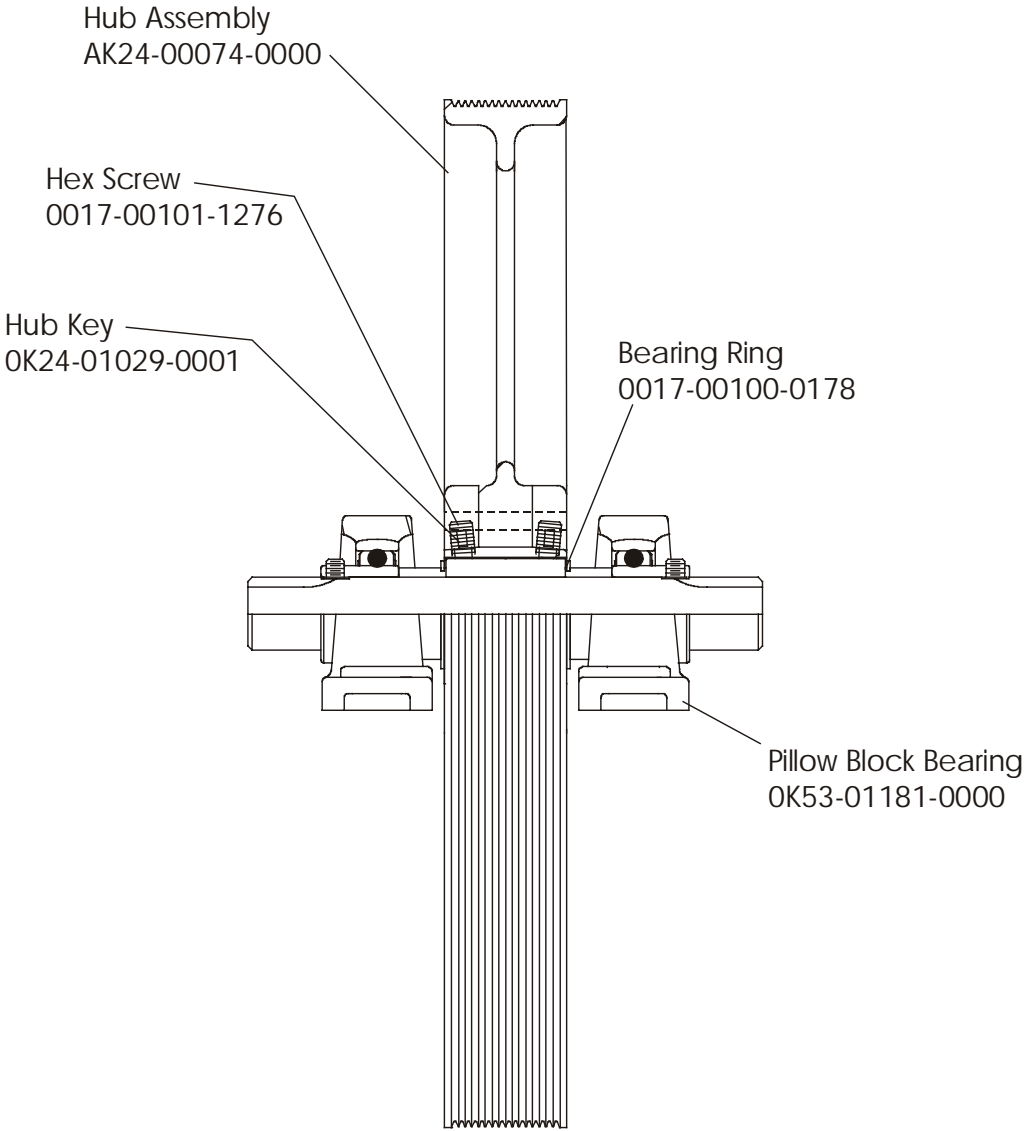
**CT9500 Cross-Trainer CT95-0XXXX-18**  
**Lower Arm Idler Bracket Assembly GK53-00002-0012**

---



**CT9500 Cross-Trainer CT95-0XXXX-18**  
**Crankshaft Pulley Assembly SK53-00073-0001**

---



**CT9500 Cross-Trainer CT95-0XXXX-18**

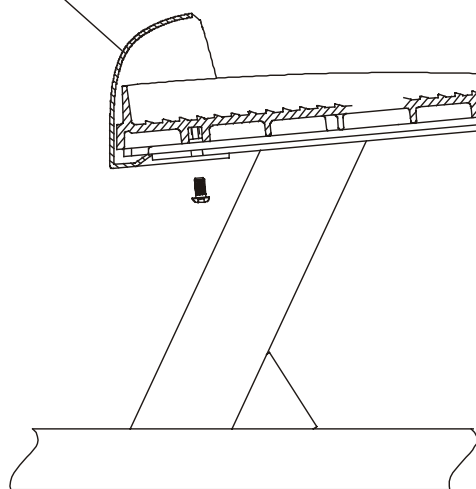
**Pedal Lever/Roller Assembly**

**RT-SK53-00198-0001, LT-SK53-00198-0002**

Toe Guard Kit (2)  
GK53-00002-0030

Pedal  
OK53-01027-0001

TORX Screw  
0017-00101-1633



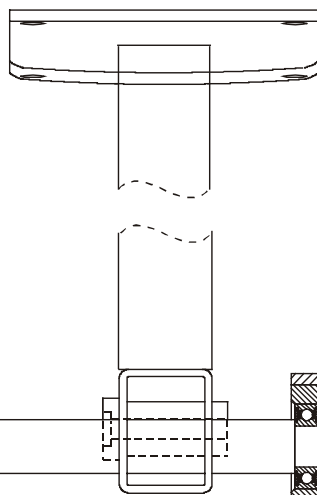
TORX Screw  
0017-00101-1654

Spacer  
OK53-01343-0000

Roller  
SK53-00092-0001

Anti-Lift Roller  
SK53-00091-0000

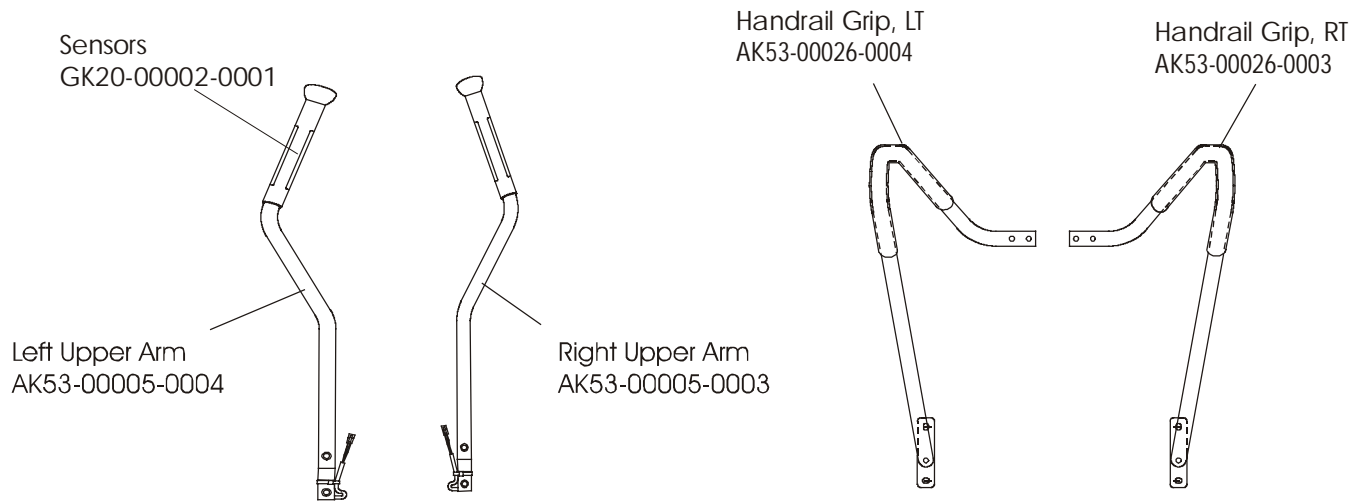
Roller Bearing Assy  
SK53-00092-0001



# CT9500 Cross-Trainer CT95-0XXXX-18

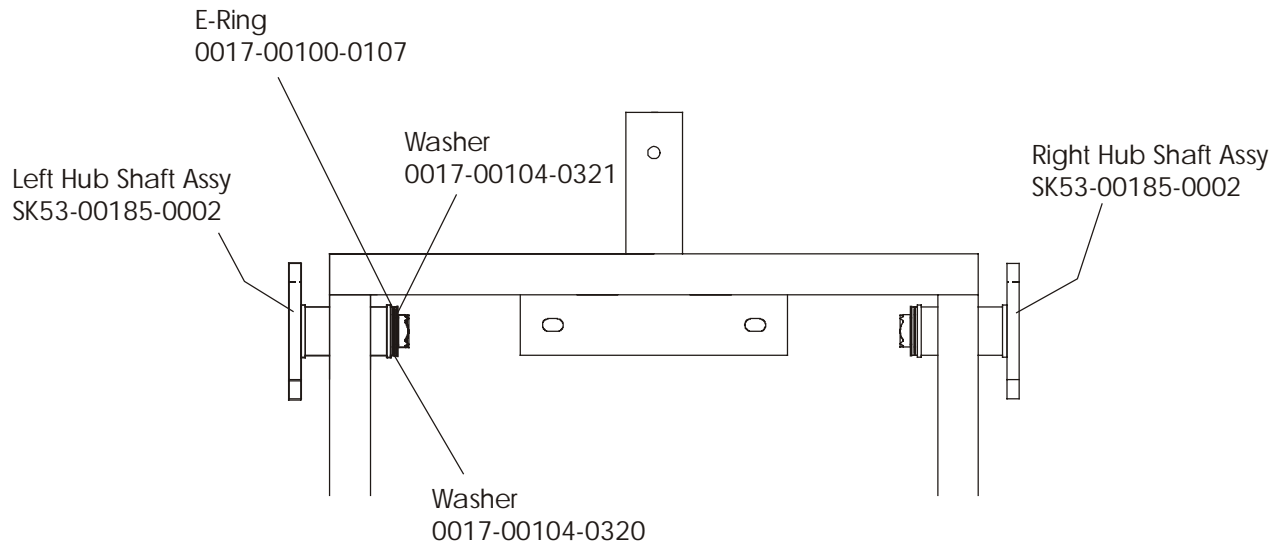
## Upper Arms and Frame

---



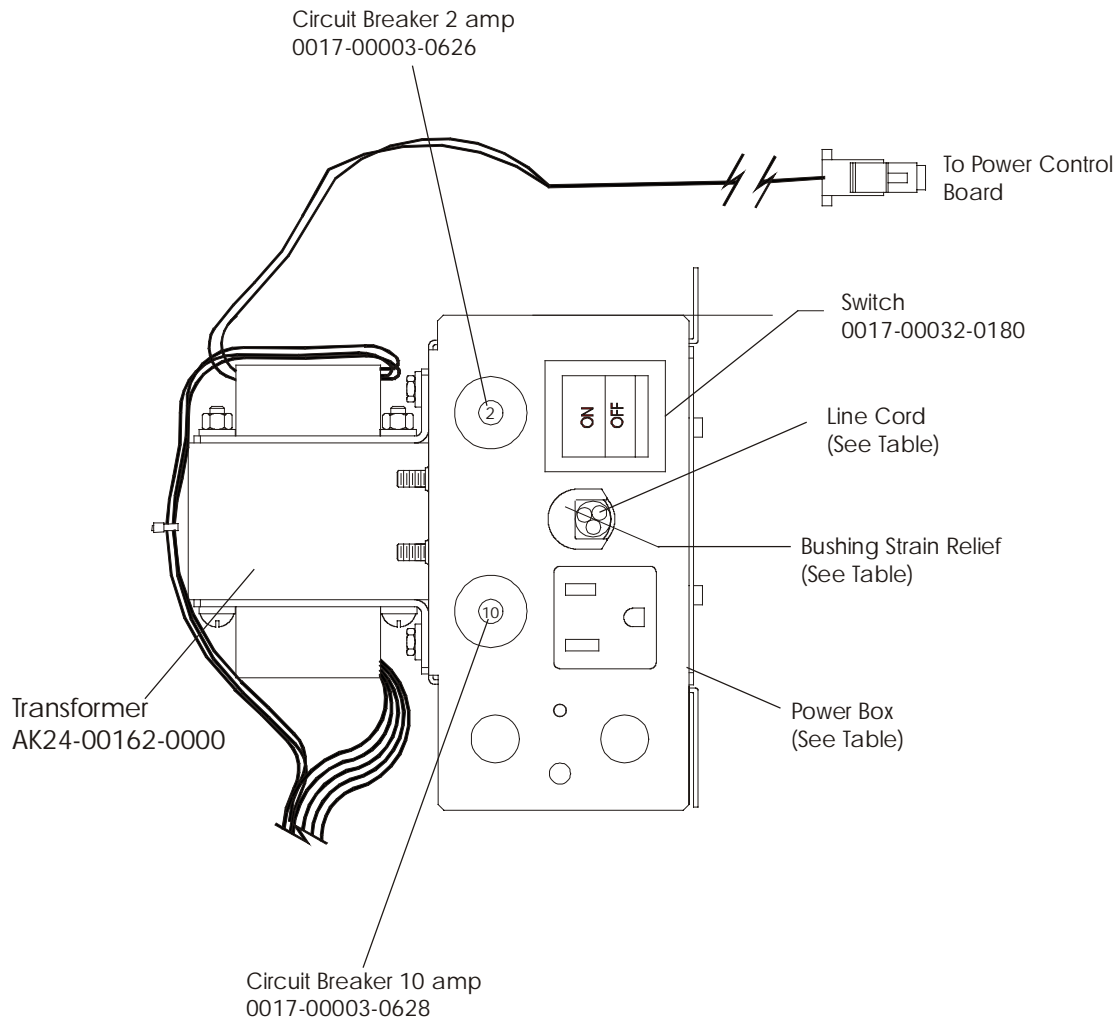
---

### UPPER FRAME ASSEMBLY AK53-00089-0000



# CT9500 Cross-Trainer CT95-0XXXX-18

## Power Box



Voltage	Power Box Assy	Line Cord Assy	Bushing Strain Relief
120v/60	AK53-00094-0001	AK01-00015-0000	0017-00042-0758
100v/50	AK53-00094-0002	AK01-00015-0000	0017-00042-0758
110v/50	AK53-00094-0003	AK24-00169-0000	0017-00042-0786
200v/50	AK53-00094-0004	AK24-00241-0000	0017-00042-0786
220v/50	AK53-00094-0005	AK01-00015-0002	0017-00042-0786
220v/60	AK53-00094-0006	AK24-00241-0000	0017-00042-0786
240v+	AK53-00094-0007	AK01-00015-0002	0017-00042-0786

NOTE: For 120v/60 - 12' Line Cord order: GK53-00002-0013

# CT9500 Cross-Trainer CT95-0XXXX-18

## Block Diagram

