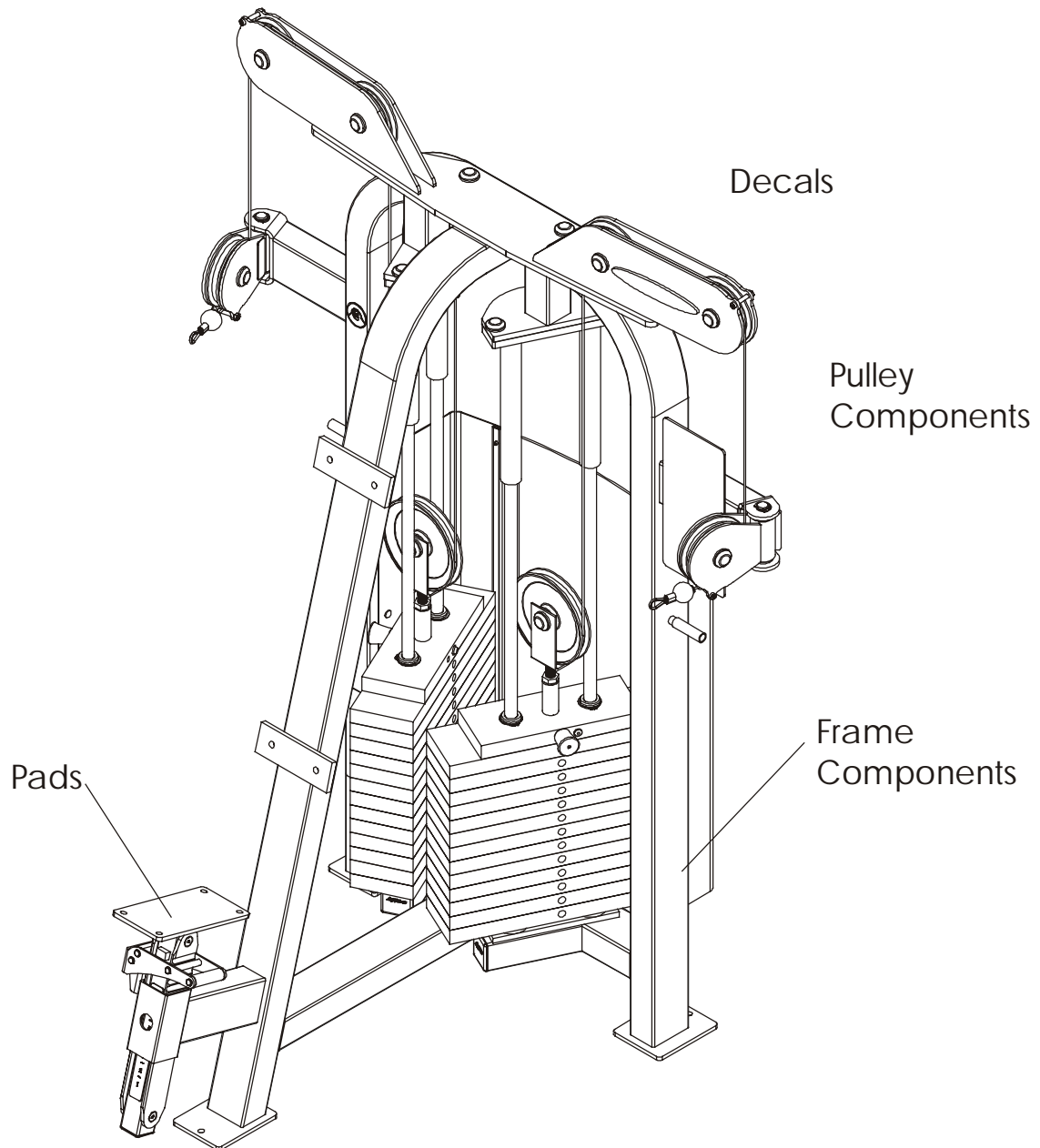


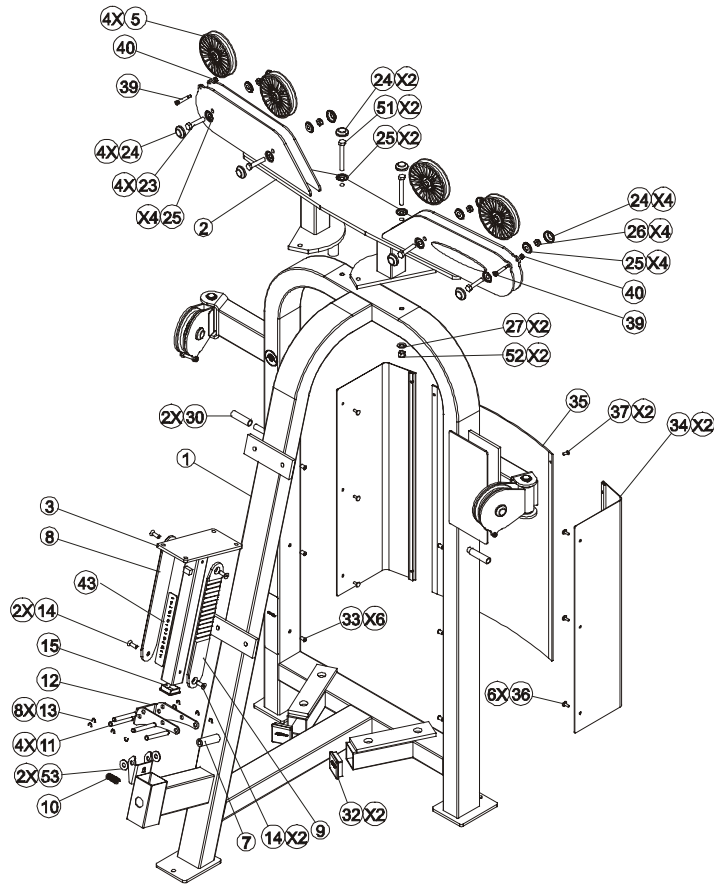
HAMMER STRENGTH EQUIPMENT

Dual Cable Chest Press – Unit Assembly



HAMMER STRENGTH EQUIPMENT

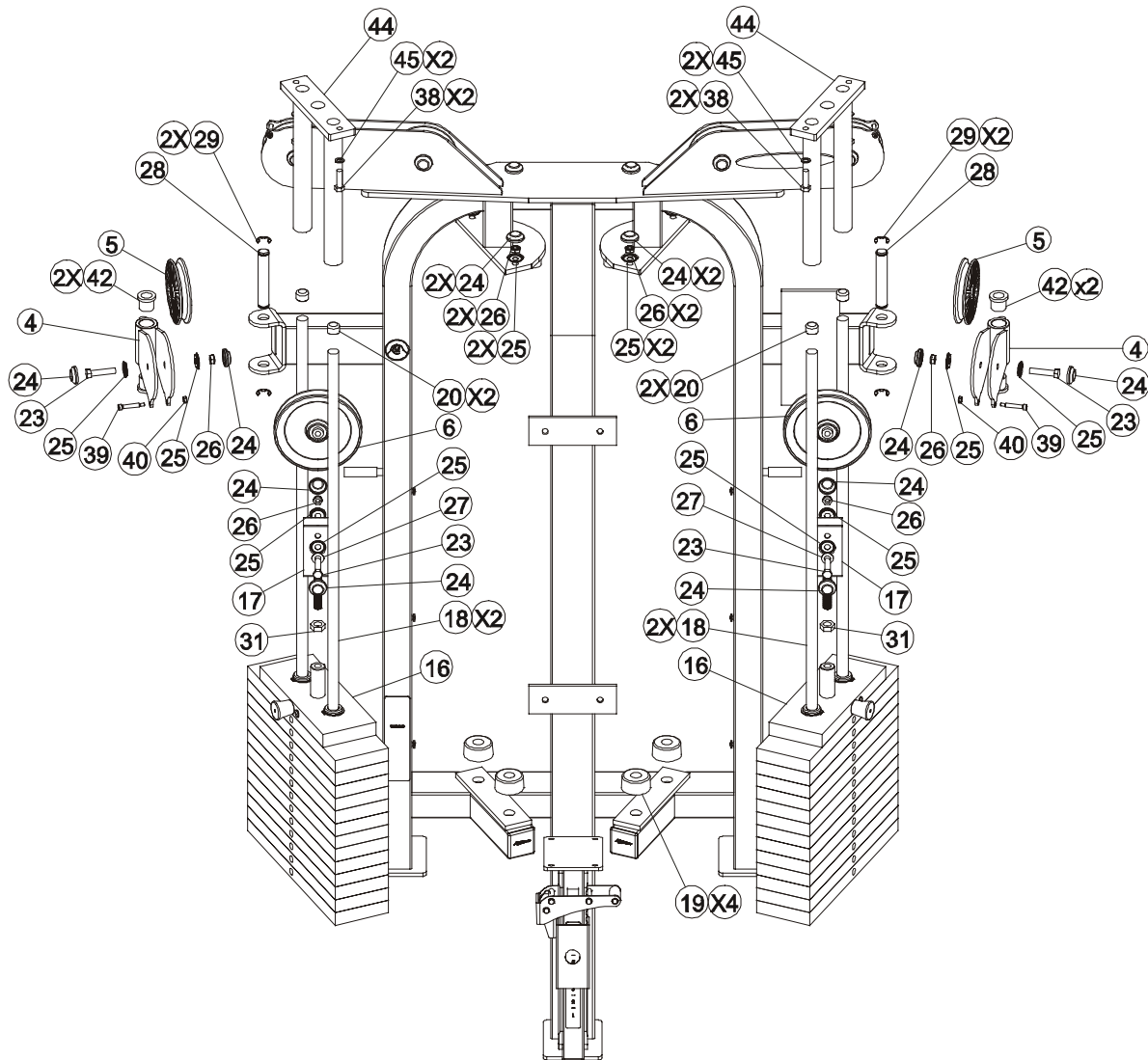
Dual Cable Chest Press – Frame Components



ITEM NO.	QTY.	PART NO.	DESCRIPTION
1	1	SM18-S0001-0000	DUAL CHEST
2	1	SM18-S0003-0000	DUAL CHEST
3	1	AK50-S0028-0000	WELDMENT, SEAT POST
5	6	0017-00009-0977	4-1/2" PULLEY W/ 1" HUB
7	1	0017-00042-1089	PIN COVER (2.50")
8	1	0K50-P0548-0000	PLATE, BACK STRIKER
9	1	0K50-P0547-0000	PLATE, FRONT STRIKER
10	1	0017-00009-1079	SPRING, COMPRESSION
11	4	0K50-P0551-0000	PIN, GROOVED
12	1	0K50-P0550-0000	LEVER, RELEASE
13	8	0017-00100-0190	CLIP, RETAINING
14	4	0017-00101-1655	5/16" -24 X 3/4" HXS FLT BLT G5 BZ
15	1	0017-00042-0944	1.5" X 1.5" PLASTIC END CAP
23	8	0017-00101-1413	3/8 X 1 3/4 Bolt
24	22	0017-00042-0969	CAPLUG CAP; RH-20
25	22	0017-00104-0368	CAPLUG WASHER; RHW 205
26	12	0017-00103-0217	3/8" Thin Lock Nut
27	4	0017-00104-0313	3/8" SAE Flat Washer
30	2	0017-00009-0947	2-1/4" NYLON PEG COVER
32	2	0017-00042-0958	2X2 BLACK PLASTIC CAP
33	6	0017-00103-0212	NUT 10-24 NUTSERT ST ZN
34	2	0K50-E0040	3.5" WIDE SIDE SHIELD
35	1	0K50-E0041 (FORMED)	SHEILD, PLASTIC
36	6	0017-00101-1616	10-24 X8 PHL PAN MS ST ZN
37	2	0017-00101-1587	SHIELD RIVET
39	4	0017-00101-1392	1/4 - 20 X 20 HXS SOC SHL G8 ZN
40	4	0017-00103-0228	NUT 10-24 NYLOC D ST ZN
43	1	M051-00363-A000	STRIP, NUMBER
51	2	0017-00101-1422	3/8 X 3 Bolt
52	2	0017-00103-0229	3/8" THICK NYLOC NUT
53	2	0017-00104-0373	SPACER

HAMMER STRENGTH EQUIPMENT

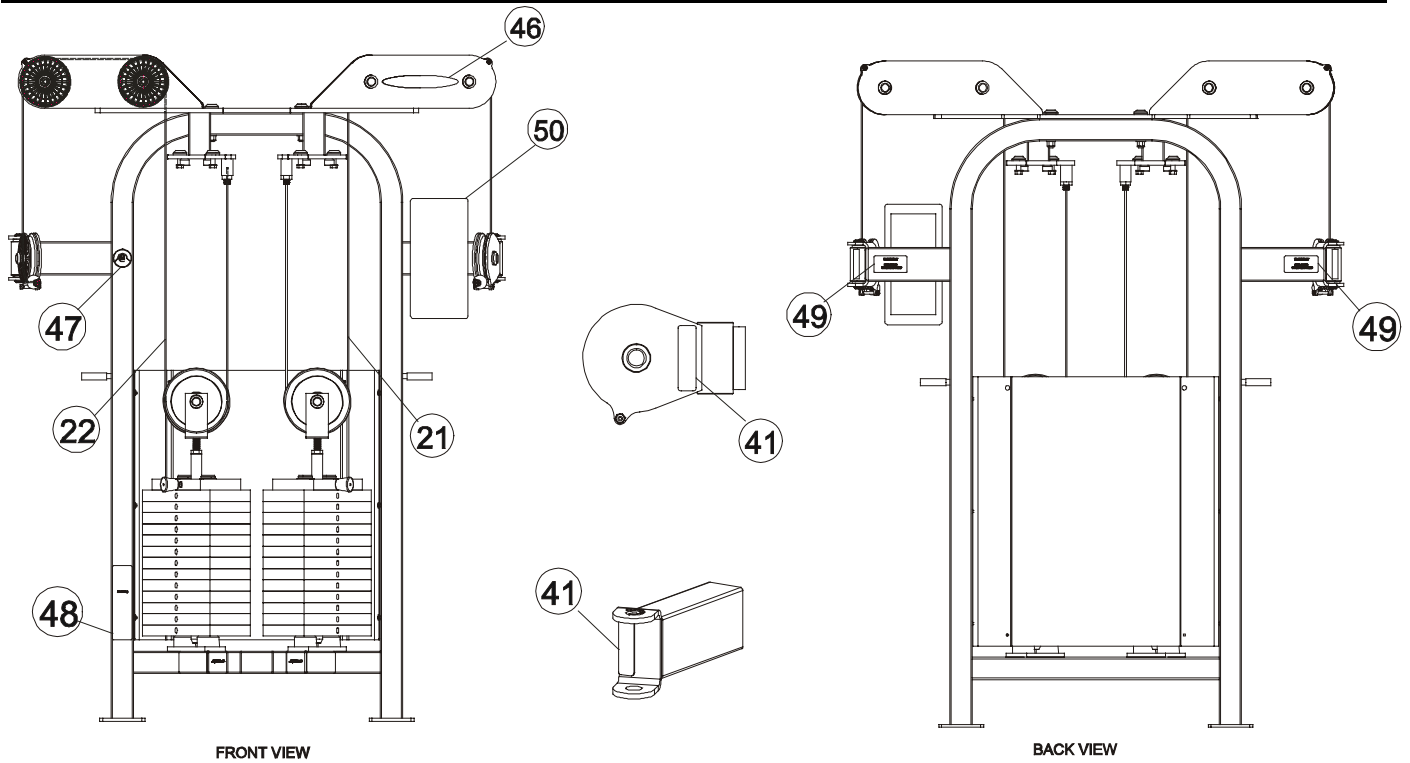
Dual Cable Chest Press – Pulley Components



ITEM NO.	QTY.	PART NO.	DESCRIPTION
4	2	SM18-S0002-0000	SM18 SWIVEL PULLEY SUB
5	6	0017-00009-0977	4-1/2" PULLEY W/ 1" HUB
6	2	0017-00009-0978	PULLEY 6" W/ 1" HUB
16	2	AK50-WS023	210 LB. WEIGHT STACK
17	2	AK50-S0006-0000	PULLEY, FLOATING (MALE)
18	4	0017-00009-0933 (SM17)	GUIDE ROD (43.75")
19	4	0017-00042-0993	WEIGHT STACK DONUT 1" THICK
20	4	0017-00042-0967	3/4 I.D. BLACK PLASTIC ROD CAP
23	8	0017-00101-1413	3/8 X 1 3/4 Bolt
24	22	0017-00042-0969	CAPLUG CAP; RH-20
25	22	0017-00104-0368	CAPLUG WASHER; RHW 205
26	12	0017-00103-0217	3/8" Thin Lock Nut
27	4	0017-00104-0313	3/8" SAE Flat Washer
28	2	FB31-M0038-0000	AXEL (2)
29	4	0017-00009-1028	E-CLIP
31	2	0017-00103-0234	NUT 9/16 - 12 JAM D ST ZN
38	4	0017-00101-1412	3/8 X 1 1/4 Bolt
39	4	0017-00101-1392	1/4 - 20 X 20 HXS SOC SHL G8 ZN
40	4	0017-00103-0228	NUT 10 -24 NYLOC D ST ZN
42	4	0017-00009-0929	3/4 I.D. OILITE BUSHINB; FLANG
44	2	AK50-S0038-0000	TOP PLATE STOP
45	4	0017-00104-0352	WASHER, FLAT

HAMMER STRENGTH EQUIPMENT

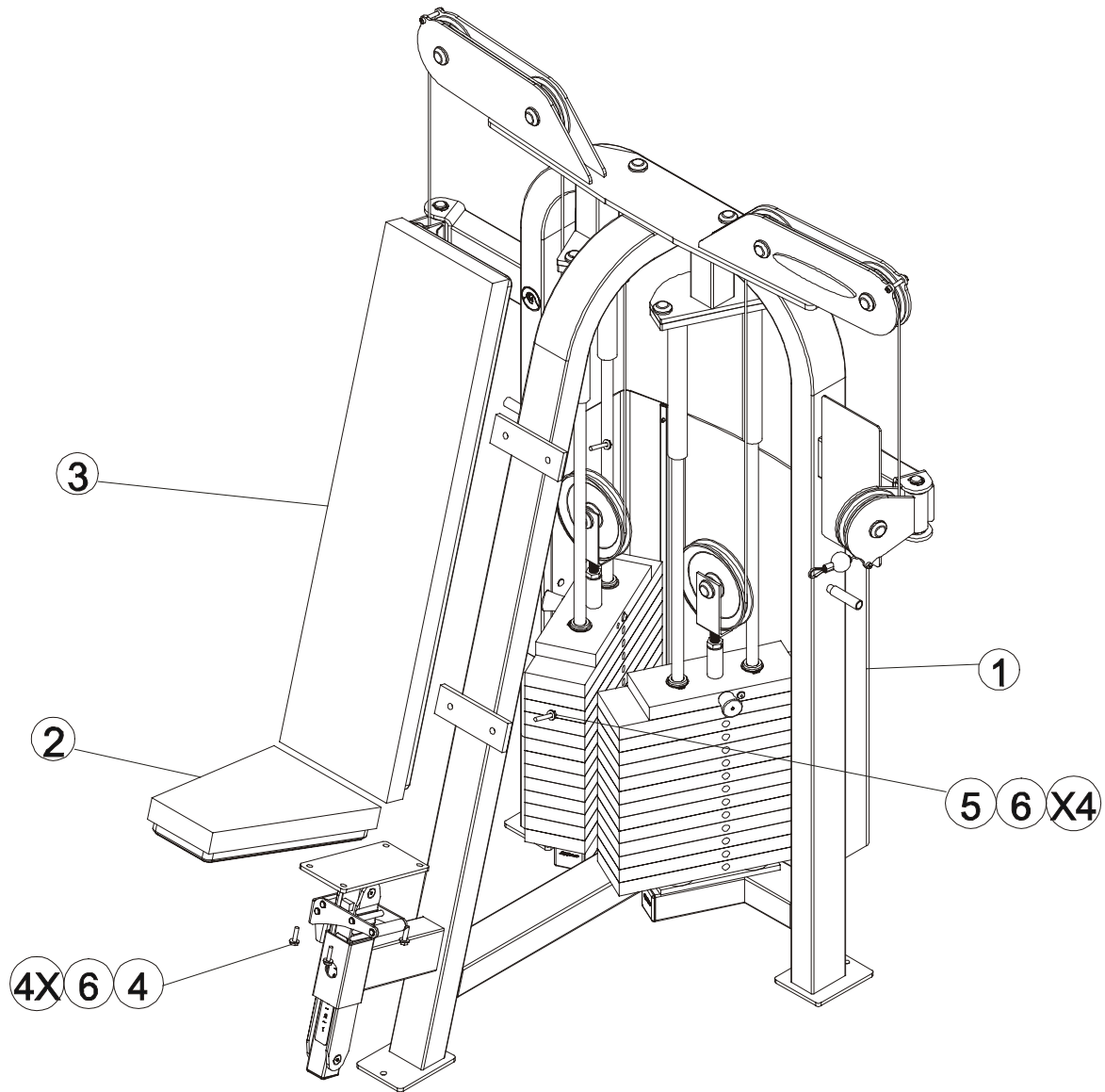
Dual Cable Chest Press - Decals



ITEM NO.	QTY.	PART NO.	DESCRIPTION
21	1	AK50-CL095-0014 (LT.)	CABLE ASSEM. (LT.)
22	1	AK50-CL095-0014 (RT.)	CABLE ASSEM. (RT.)
41	4	0K50-P0569-0000	PROTECTION STRIP
46	1	0K50-01001-0003	L.F. NAME PLATE (SMALL)
47	1	M051-00442-A000	MOTION TECHNOLOGY DECAL
48	1	M051-00335-A000	WARNING DECAL
49	2	M051-00293-A000	WARNING DECAL
50	1	SM18-PL000-0001	PLACARD
51	2	0017-00101-1422	3/8 X 3 Bolt
52	2	0017-00103-0229	3/8" THICK NYLOC NUT
53	2	0017-00104-0373	SPACER

HAMMER STRENGTH EQUIPMENT

Dual Cable Chest Press - Pads



ITEM NO.	QTY.	PART NO.	DESCRIPTION
1	1	SM18-A0000-0000	DUAL CABLE CHEST PRESS
2	1	0K50-US053-0000	SEAT PAD SET
3	1	0K50-US024-0000	SEAT BACK PAD SET
4	4	0017-00101-1391	1/4 X 1 Bolt
5	4	0017-00101-1472	1/4 X 1 1/2 Bolt
6	8	0017-00104-0312	1/4" SAE Flat Washer