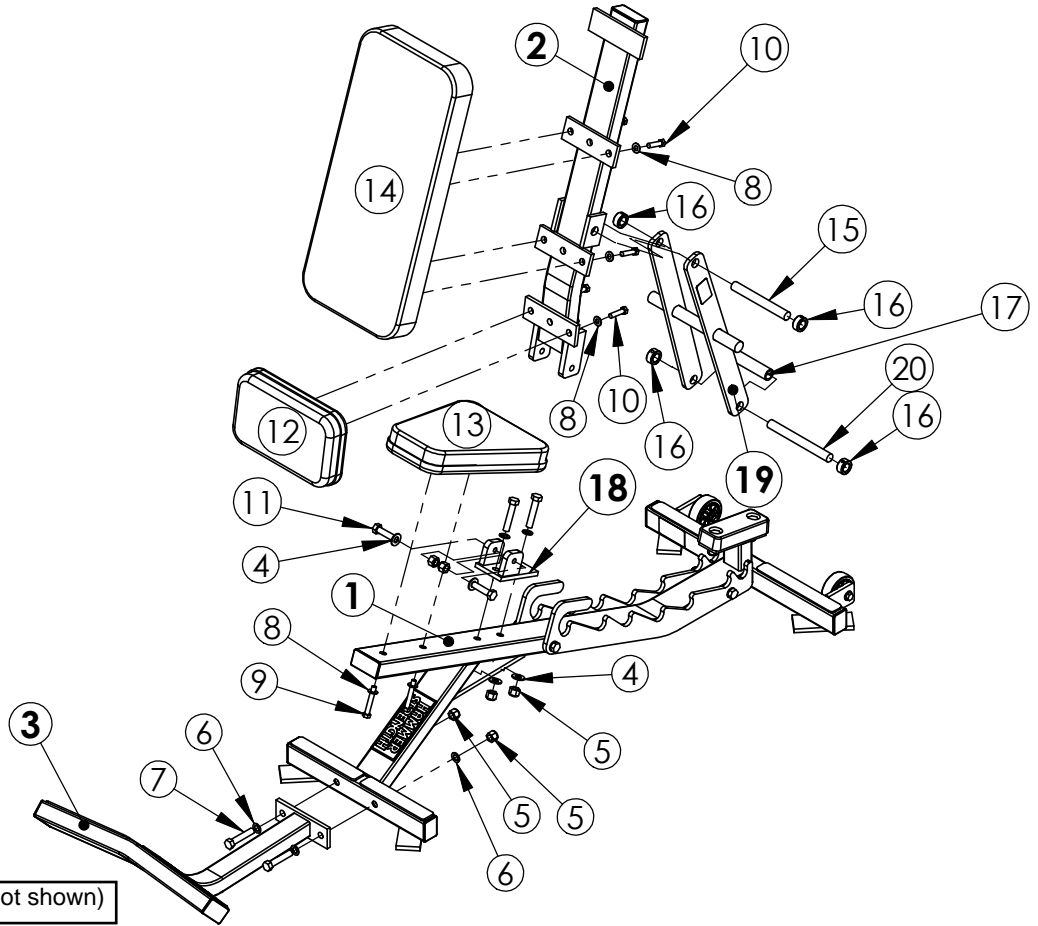


WEIGHT = 103.5 lbs / 47 kg
LENGTH = 66
WIDTH = 22
HEIGHT = 43

HAMMER STRENGTH EQUIPMENT FWADJ EXPLODED



8219801 ASTM WARNING LABEL (not shown)

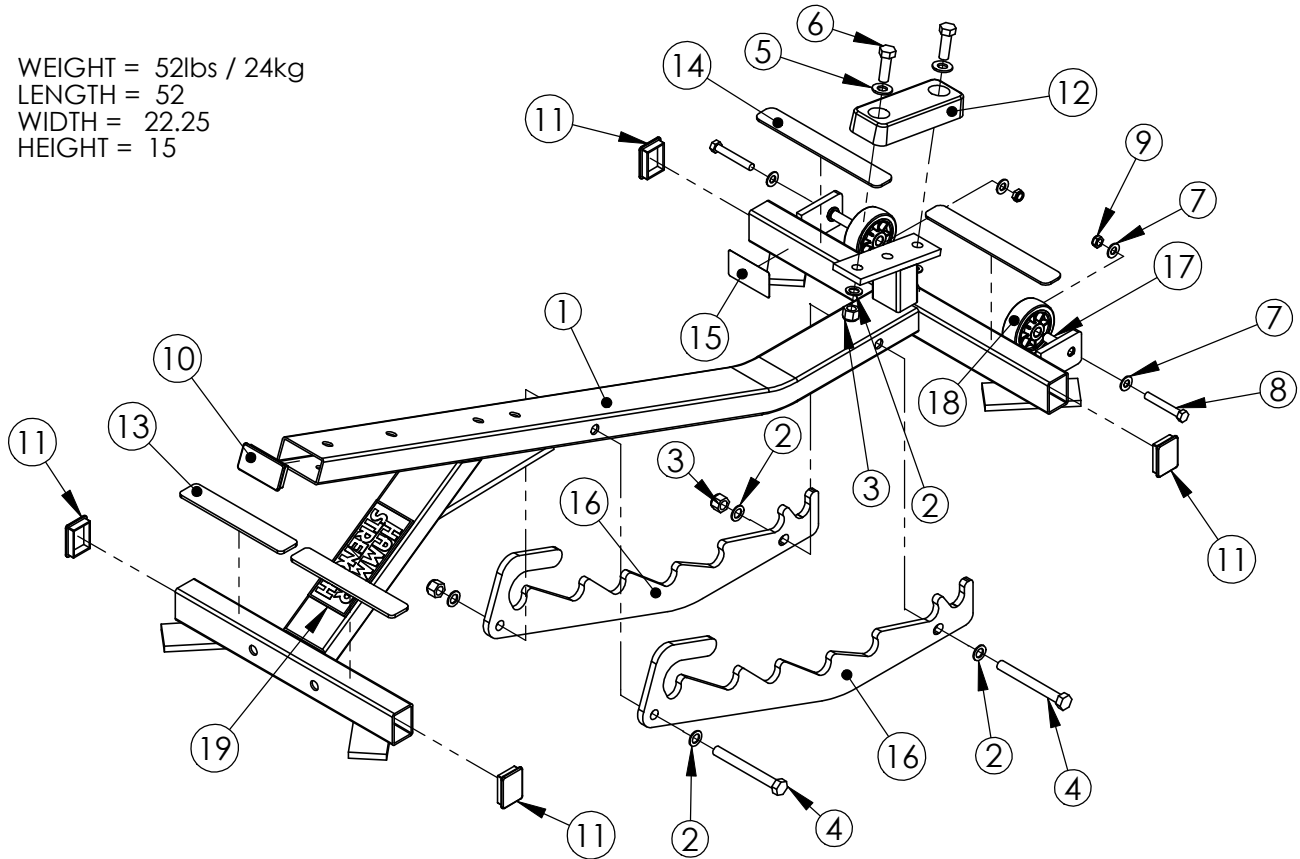
ITEM NO.	QTY.	PART NO.	DESCRIPTION
1	1	FWADJ-CBF-6	ASSY, FWADJ, BASE FRAME
2	1	FWADJ-CSB-3	ASSY, FWADJ, SEAT BACK
3	1	FWADJ-CFR-0	ASSY, FWADJ, FOOT REST
4	4	WASH.5SAE	1/2" SAE FLAT WASHER
5	6	NUT.5LOCK	1/2 DIA THICK LOCK NUT
6	6	WASH.5STAR	1/2" INTERNAL LOCK WASHER
7	4	HHB.5X2.5	1/2 X 2 1/2 BOLT
8	8	WASH.375SAE	3/8" SAE FLAT WASHER
9	2	HHB.375X2.5	STEEL BOLT 3/8 X 2.5
10	6	HHB.375X1.5	STEEL BOLT 3/8 X 1.5
11	2	HHB.5X2	1/2 X 2 BOLT
12	1	U-10-4.5	10X4.5 PAD (TRAY NO LONGER USED)
13	1	U-12-5	12X5 PAD (TRAY NO LONGER USED)
14	1	U-24-10	24X10 PAD
15	1	FWADJ-40-0	Stainless Axle
16	4	H-LCOLLAR75	3/4 LOCK COLLAR
17	1	H-cover5	3/4" ID UHMW Plastic sleeve
18	1	FWADJ-SBF-0	WLDMT, FWADJ, SEAT BACK MOUNT
19	1	FWADJ-CSTAJ-2	ASSY, FWADJ, SEAT ADJUSTMENT
20	1	FWADJ-43-0	Stainless Axle

WEIGHT = 100lbs/45kg
 LENGTH = 66
 WIDTH = 22
 HEIGHT = 43

HAMMER STRENGTH EQUIPMENT

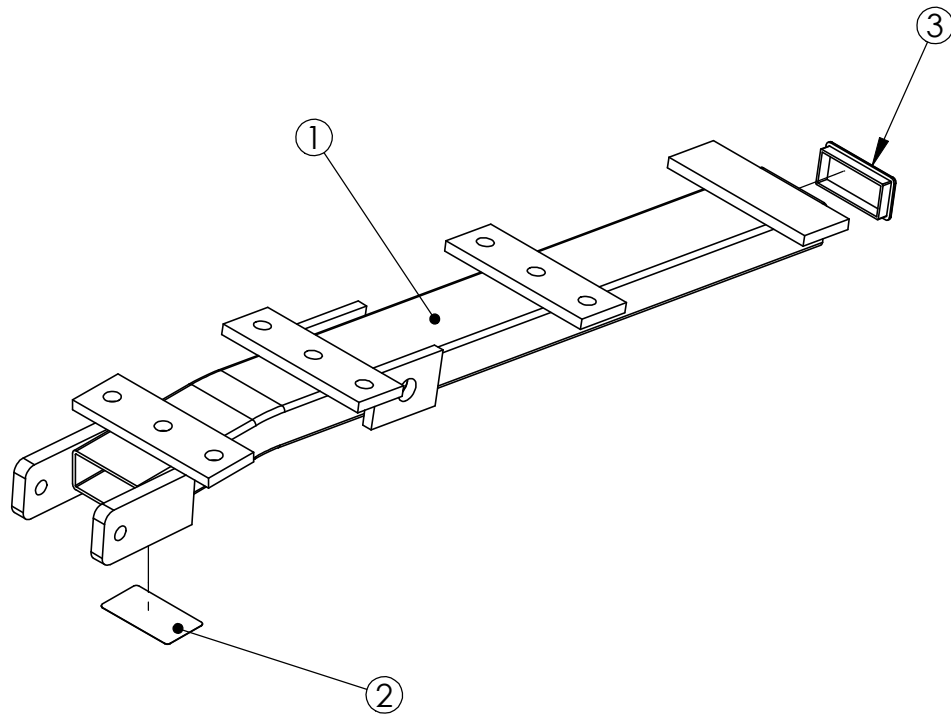
FWADJ-CBF-6, ASSY, FWADJ, BASE FRAME

WEIGHT = 52lbs / 24kg
 LENGTH = 52
 WIDTH = 22.25
 HEIGHT = 15



ITEM NO.	QTY.	PART NO.	DESCRIPTION
1	1	FWADJ-BF-4	Base Frame Assy
2	6	WASH.5STAR	1/2" INTERNAL LOCK WASHER
3	4	NUT.5LOCK	1/2 DIA THICK LOCK NUT
4	2	HHB.5X4.5	1/2 X 4 1/2 BOLT
5	2	WASH.5SAE	1/2" SAE FLAT WASHER
6	2	HHB.5X1.5	BOLT, HEX HEAD 1/2 X 1-1/2
7	4	WASH.375SAE	3/8" SAE FLAT WASHER
8	2	HHB.375X2.5	STEEL BOLT 3/8 X 2.5
9	2	NUT.375JAMLOCK	3/8 THIN LOCK NUT
10	1	RC1530-1Q1	CAP:1-1/2 X 3 RECTANGLE PLUG
11	4	RC1520-1Q1	CAP:1-1/2 X 2 RECTANGLE PLUG
12	1	H-FBUMP	MM7 Floor
13	2	H-PLATE-G1	SMALL PLATE GUARD
14	2	NONSKID 1 X 9	PLASTIC NON SKID STRIP 1 X 9
15	1	PATENT	PATENT DECAL
16	2	HGR-T6	FWADJ GUNRACK
17	2	7961401	AXLE, FW, WHEEL
18	2	OK59-01164-0000	WHEEL, 3.0 OD X .50 ID OVERMOLD
19	1	H-NAME PLATE	NAMEPLATE (45156-P)

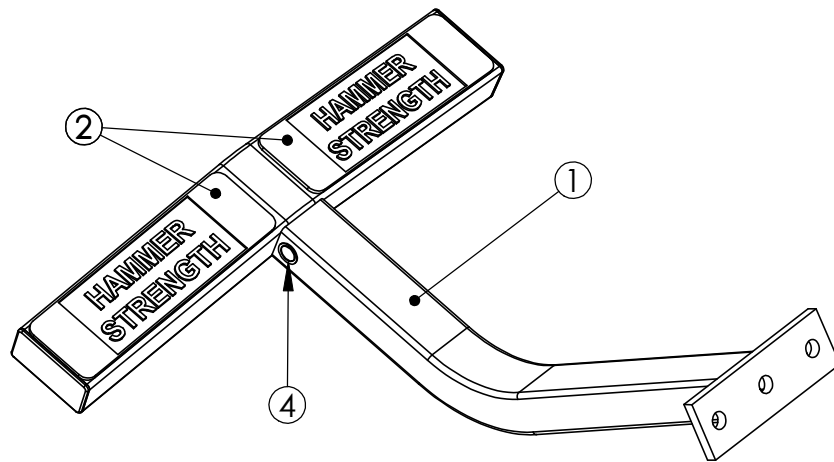
**HAMMER STRENGTH EQUIPMENT
FWADJ-CSB-3, ASSY, FWADJ, SEAT BACK**



ITEM NO.	QTY.	PART NO.	DESCRIPTION
1	1	FWADJ-SB-3	Seat Back Assy
2	1	SERIAL NUMBER	SERIAL NUMBER
3	1	RC1530-1Q1	CAP:1-1/2 X 3 RECTANGLE PLUG

WEIGHT = 17lbs / 8kg
 LENGTH = 33
 WIDTH = 6
 HEIGHT = 6

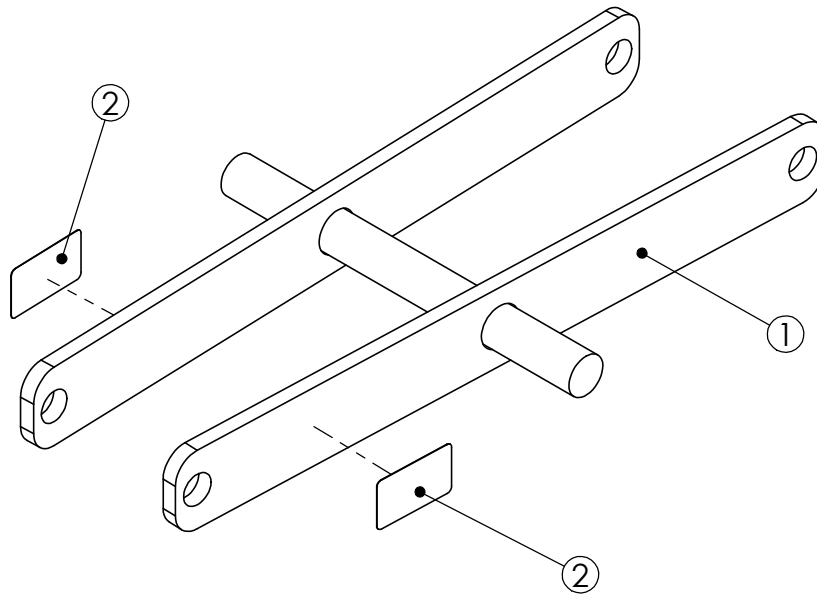
HAMMER STRENGTH EQUIPMENT
FWADJ-CFR-0, ASSY, FWADJ, FOOT REST



ITEM NO.	QTY.	PART NO.	DESCRIPTION
1	1	FWADJ-FR-0	Foot Rest
2	2	H-NONSKID 3X9	PLASTIC NON SKID STRIP 3 X 9
3	2	RC1530-1Q1	CAP:1-1/2 X 3 RECTANGLE PLUG
4	2	H-HPLUG (REG)	9/16IN HOLE PLUG

WEIGHT = 13lbs / 6kg
 LENGTH = 21
 WIDTH = 21
 HEIGHT = 10

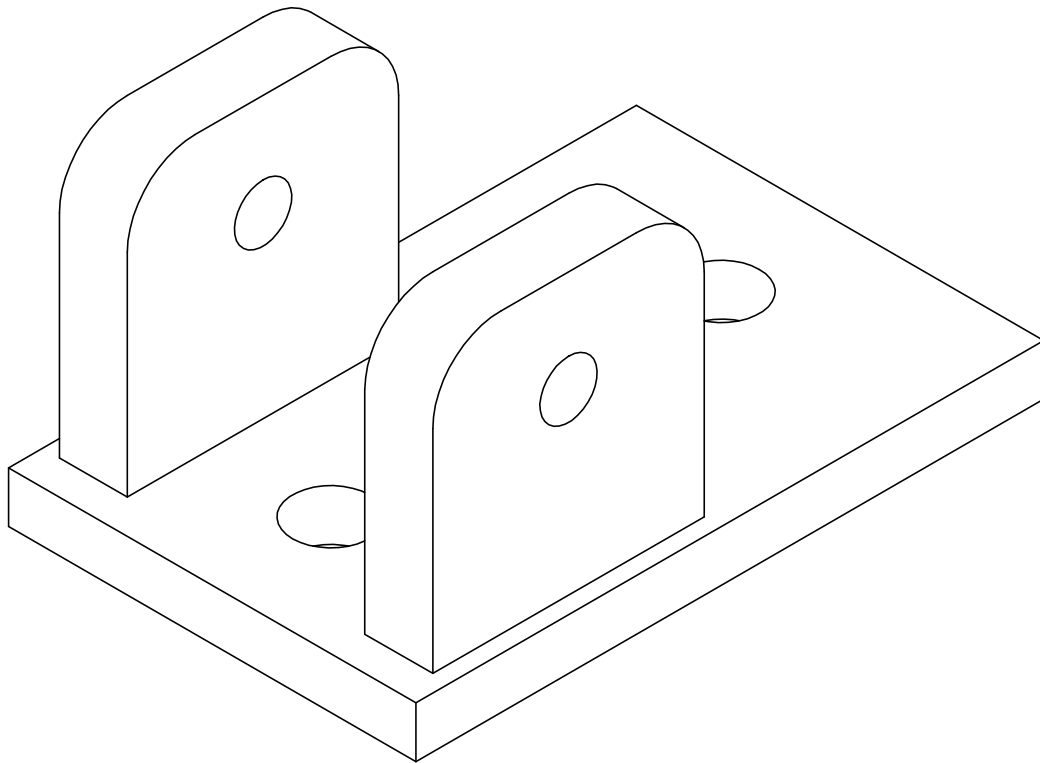
HAMMER STRENGTH EQUIPMENT
FWADJ-CSTAJ-2, ASSY, FWADJ, SEAT ADJUSTMENT



WEIGHT = 10lbs / 4.5kg
 LENGTH = 19
 WIDTH = 16
 HEIGHT = 2

ITEM NO.	QTY.	PART NO.	DESCRIPTION
1	1	FWADJ-STAJ-2	Seat Adjustment Wldmt
2	2	STAY CLEAR	STAY CLEAR DECAL

HAMMER STRENGTH EQUIPMENT
FWADJ-SBF-0, WLDMT, FWADJ, SEAT BACK MOUNT



WEIGHT = 2.5 lb.
LENGTH = 5"
WIDTH = 3"
HEIGHT = 3"