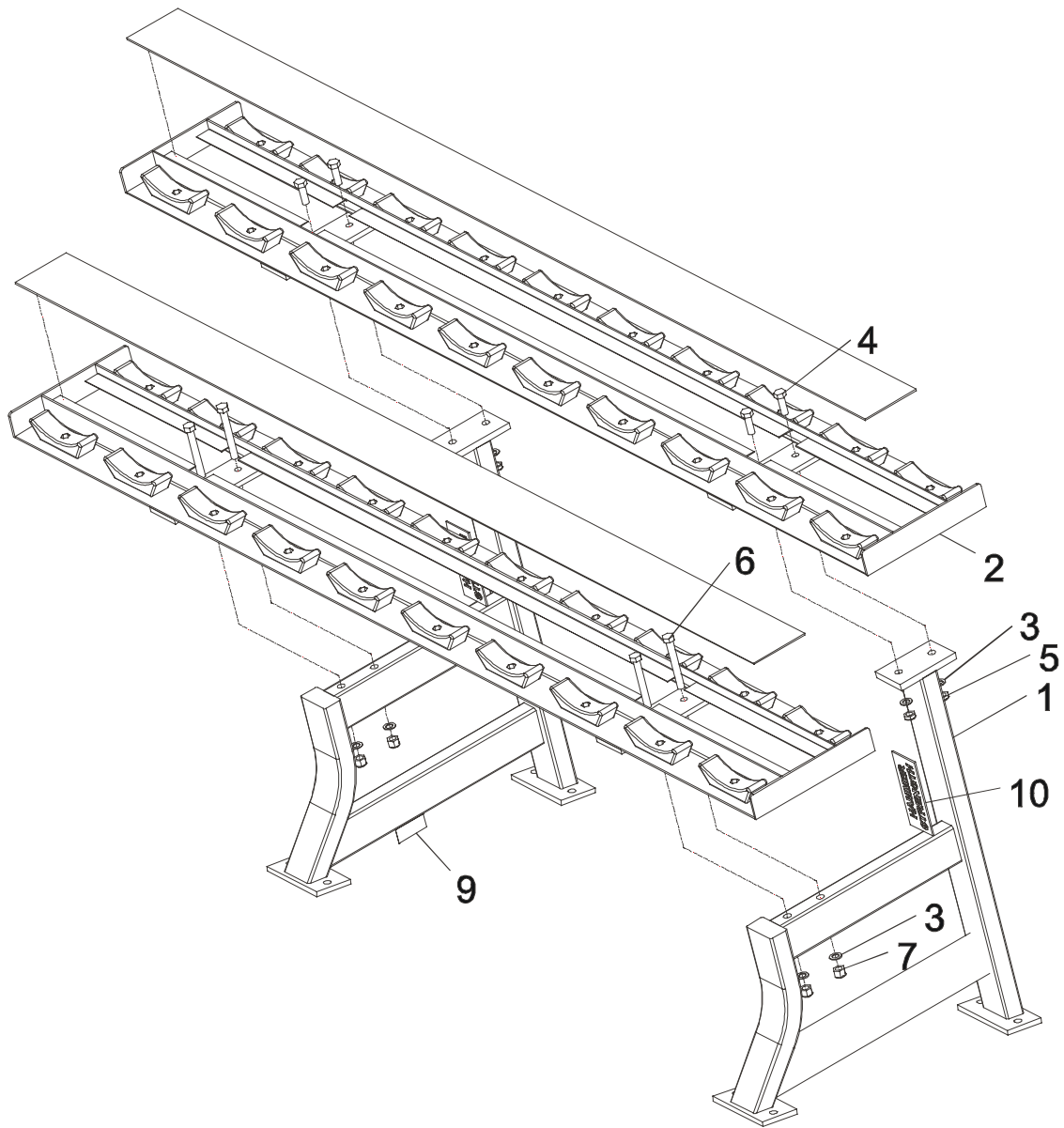


HAMMER STRENGTH EQUIPMENT

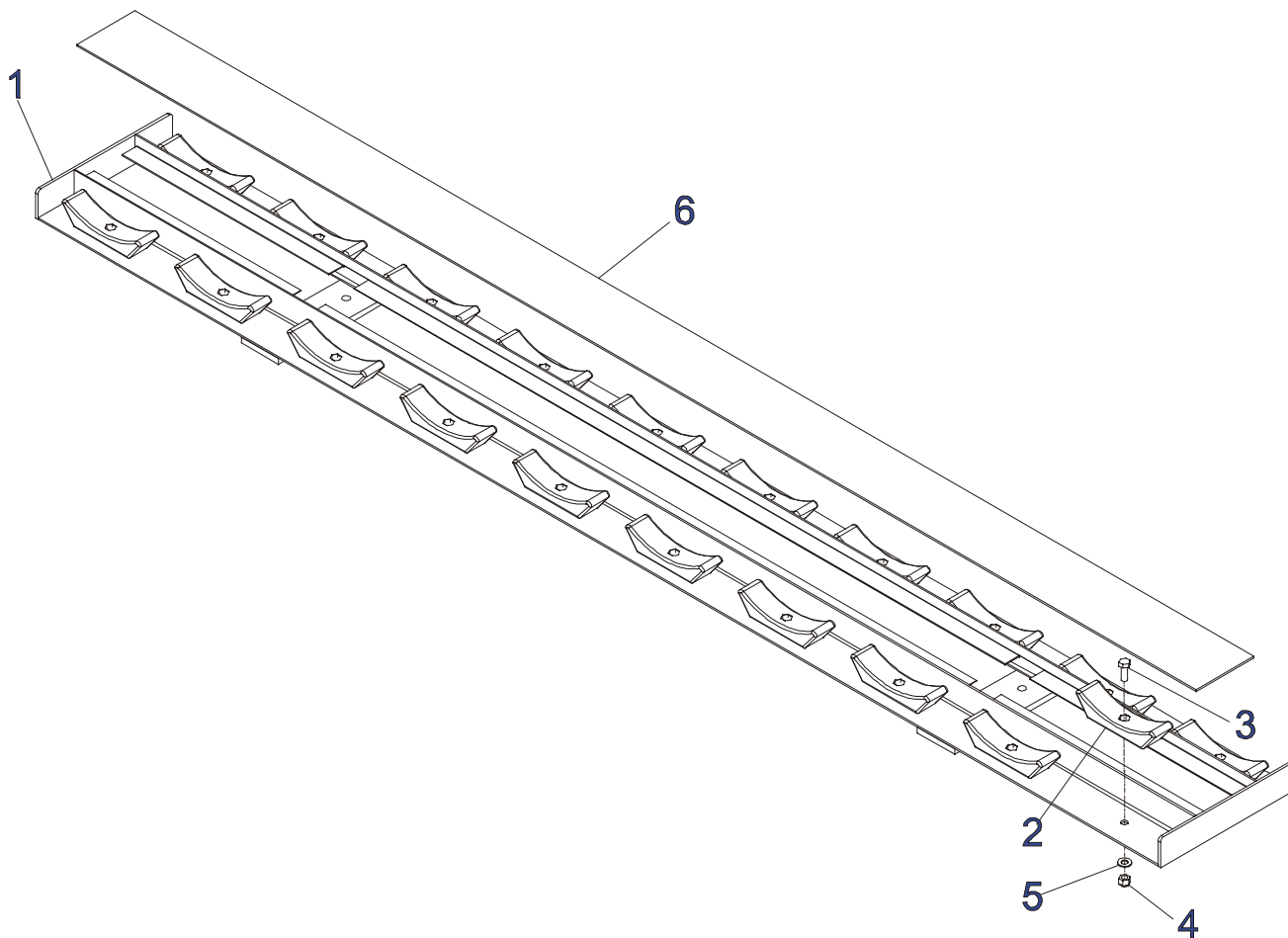
FWDR2 - Free Weight Dumbbell Rack Two Tier



ITEM NO.	QTY.	PART NO.	DESCRIPTION
1	2	FWDR2-SF-0	SIDE FRAME
2	2	FWDR-CTX-0	DUMBBELL RACK
3	8	WASH.5STAR	1/2" Internal Lock Washer
4	4	HHB.5X1.5	1/2 X 1 1/2 Bolt
5	4	NUT.5JAMLOCK	1/2" Thin Lock Nut
6	4	HHB.5X4	1/2 X 4 Bolt
7	4	NUT.5LOCK	1/2" Thick Lock Nut
9	1	SERIAL NUMBER	Serial Number
10	2	H-NAMEPLATE	Name Plate

HAMMER STRENGTH EQUIPMENT

FWDR2 - Free Weight Dumbbell Rack Two Tier



ITEM NO.	QTY.	PART NO.	DESCRIPTION
1	1	FWDR-TX-0	DUMBBELL RACK TIER
2	20	SADDLE	Saddle
3	20	HHB.375X1	3/8 X 1 Bolt
4	20	NUT.375LOCK	3/8" Thick Lock Nut
5	20	WASH.375SAE	3/8" SAE Flat Washer
6	1	FWDR-30-0	ABS COVER