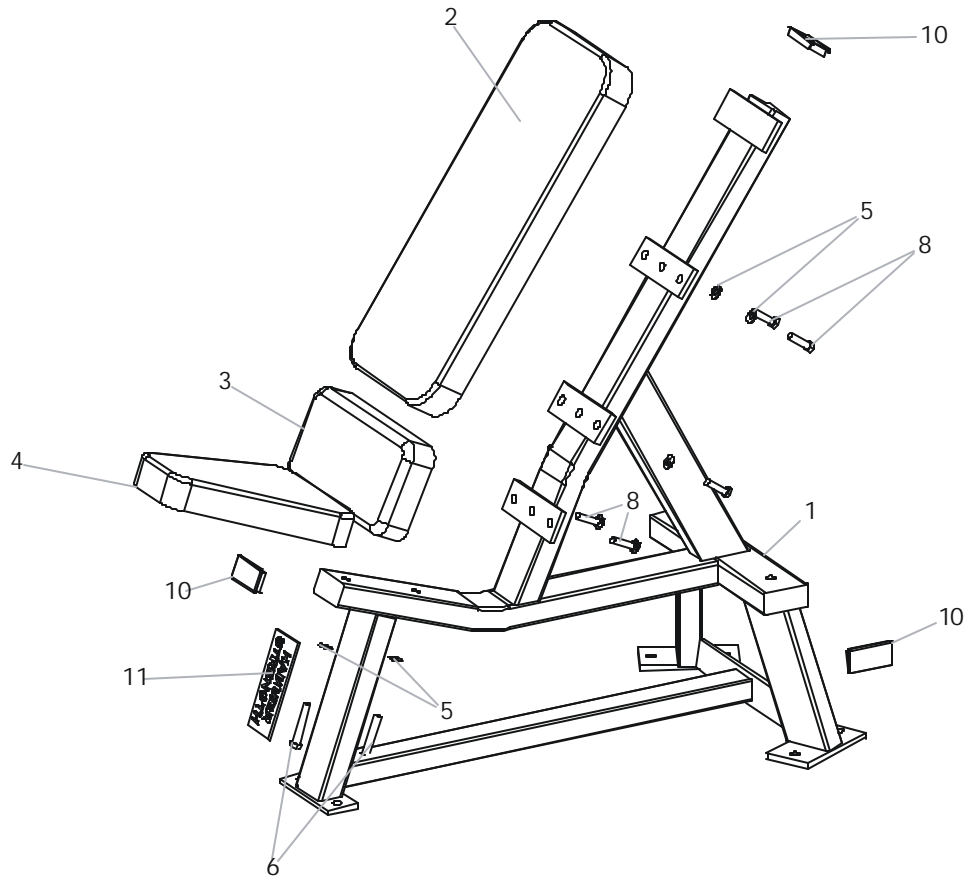




FWIB55 - Free Weight Inline Bench 55°



ITEM	QTY	PART NO	DESCRIPTION
1	1	FWIB55-ASweld	Welded assembly
2	1	U24_10	24" Standard pad
3	1	U10-4.5 Tray	10" Pad w/Tray
4	1	U12_5 Tray	12" Triangular Pad w/Tray
5	8	WASH.375SAE	3/8" Flat washer
6	2	HHB .375X2.5	3/8x2-1/2 bolt
8	6	HHB .375X1.5	3/8x1-1/2 bolt
10	4	H-PEND3	1-1/2X3 End cap
11	1	H-NAMEPLATE	Name plate