

HAMMER STRENGTH

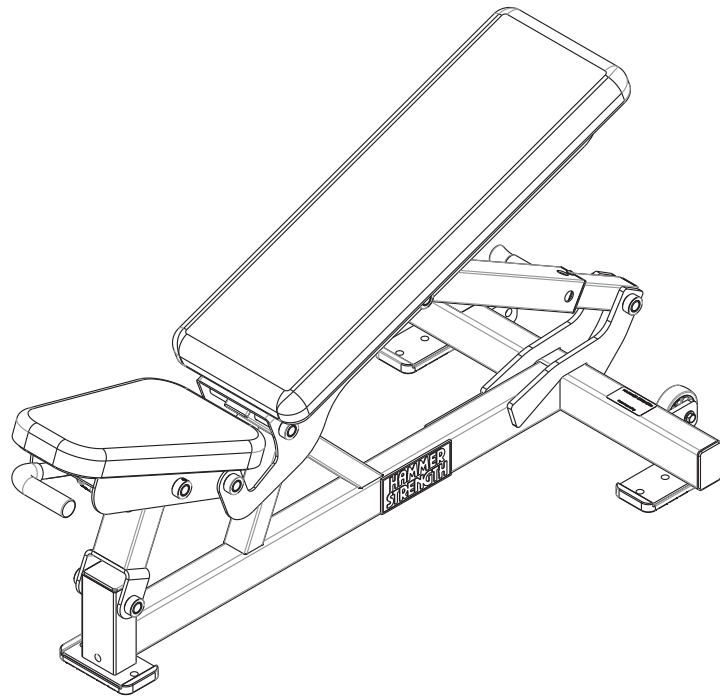
**HAMMER
STRENGTH®**

**HAMMER
STRENGTH**

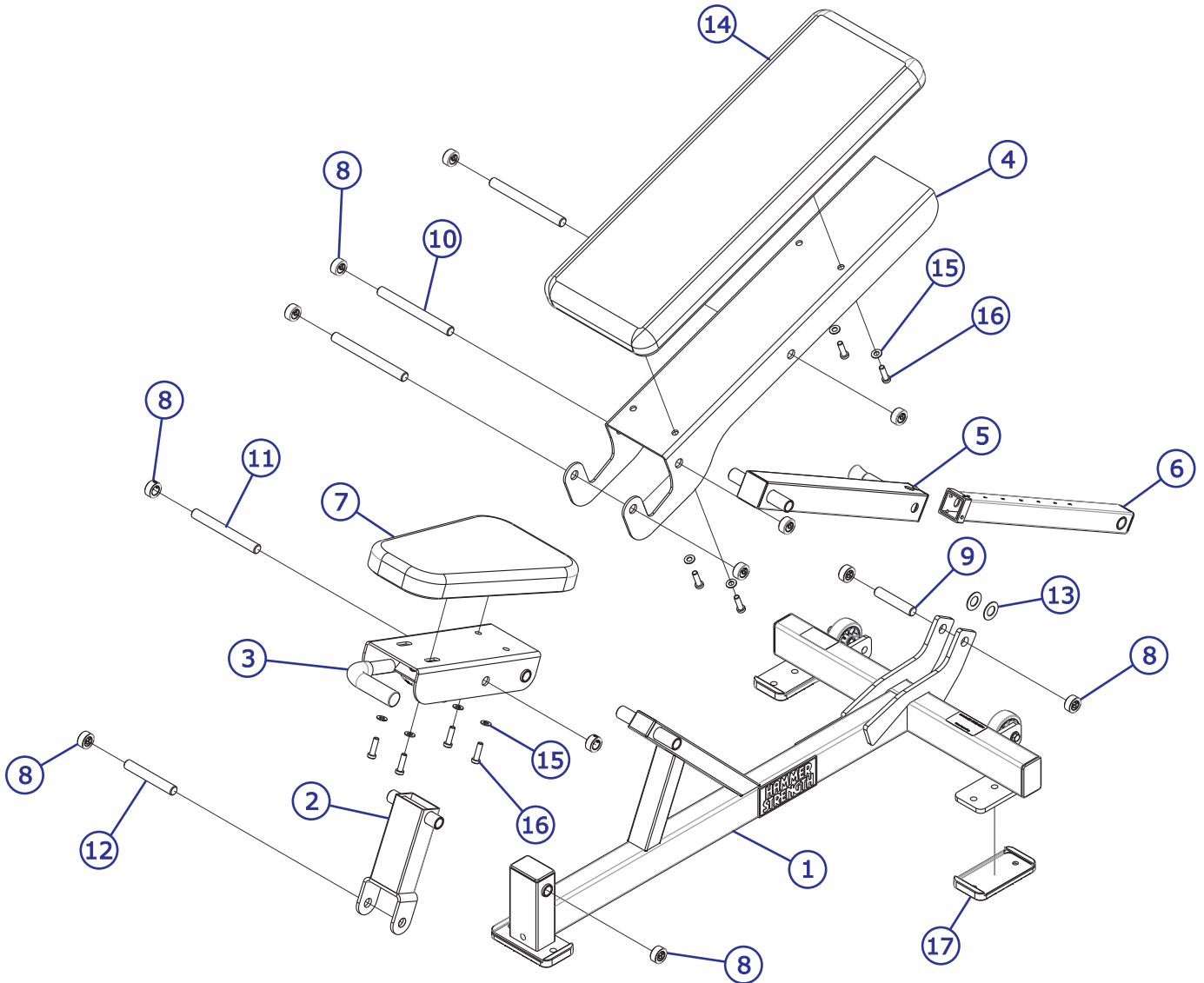
FREE WEIGHT MULTI-ANGLE BENCH

PARTS MANUAL

FWMAB

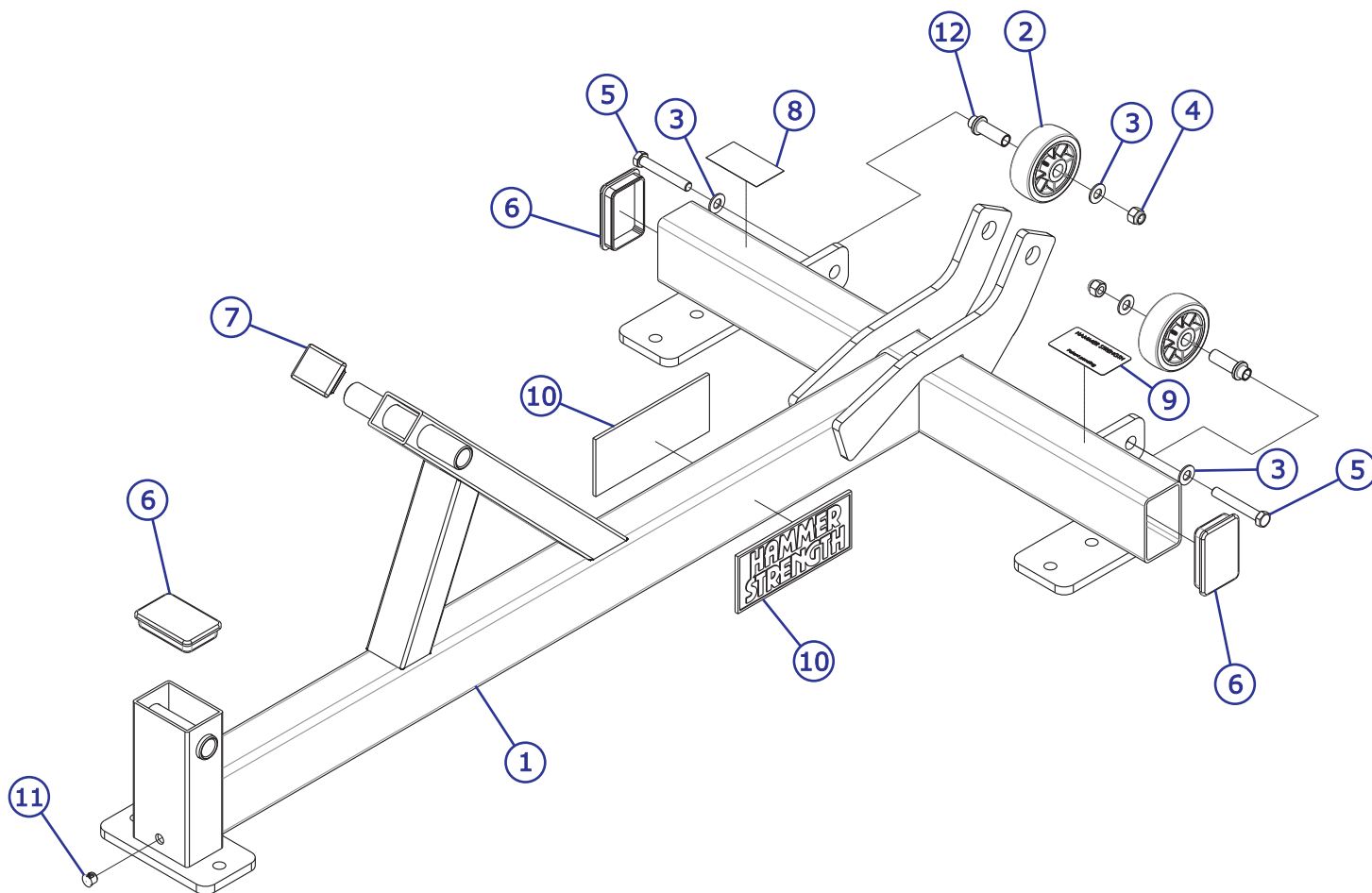


COMPONENT ASSEMBLY	PAGE	3
BOTTOM FRAME ASSEMBLY		4
SPRING PIN TUBE ASSEMBLY		5
ADJUSTMENT ASSEMBLY		6
SEAT ASSEMBLY		7
SEAT BACK ASSEMBLY		8

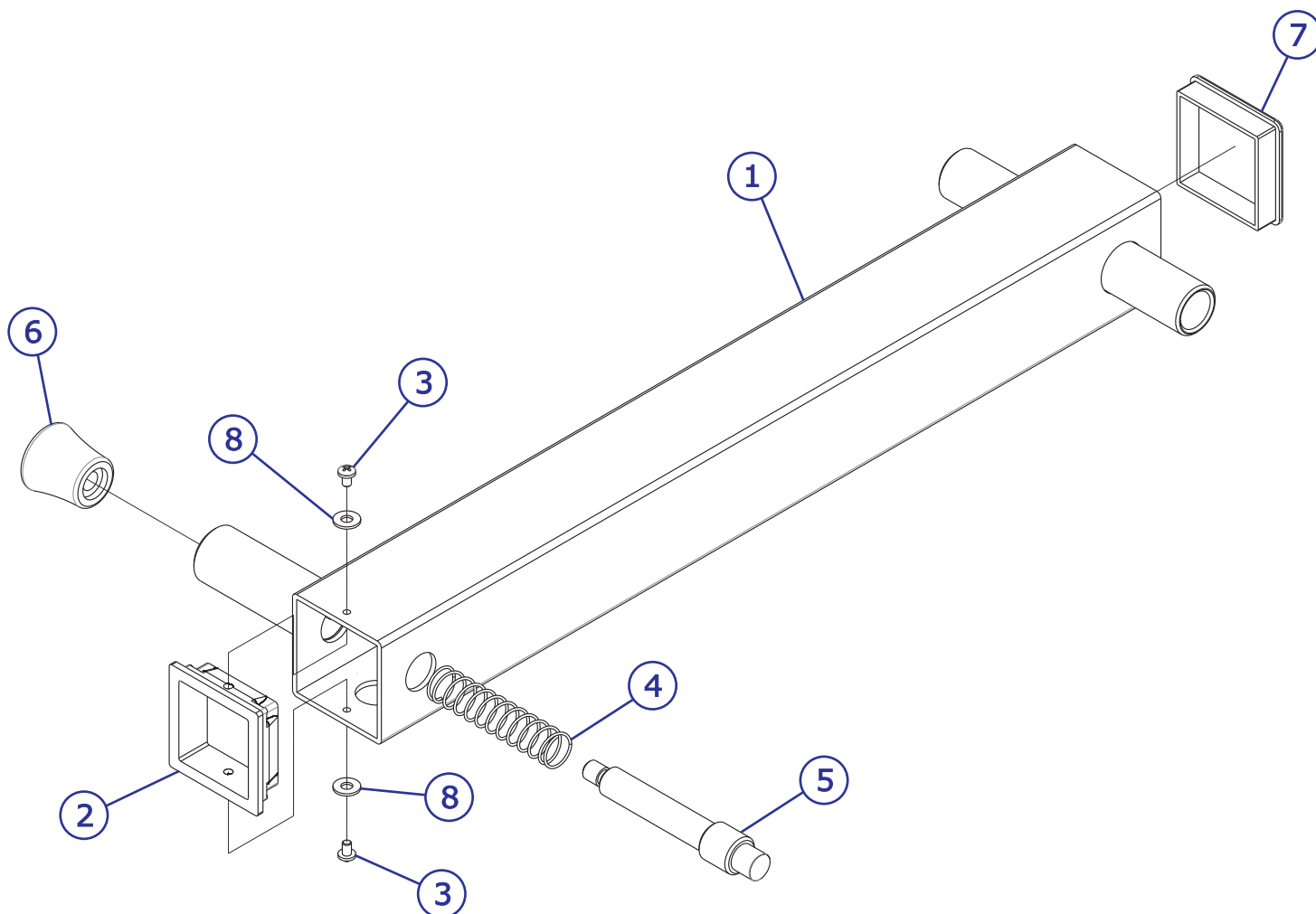


ITEM NO.	QTY.	PART NO.	DESCRIPTION	FRAME COLOR
1	1	7658501	ASSY, FWMAB BOTTOM FRAME	ANY
2	1	7661001	WLDMT, FWMAB FRONT LINK	ANY
3	1	7660501	ASSY, FWMAB SEAT	ANY
4	1	7661401	ASSY, FWMAB SEAT BACK	ANY
5	1	7659801	ASSY, FWMAB SPRING PIN TUBE	ANY
6	1	7660201	ASSY, FWMAB ADJ. ASM	ANY
7	1	87828XX	PAD, FWMAB SEAT	-
8	12	3103301	SHAFT COLLAR, 3/4 I.D. ZINC	-
9	1	8062201	SHAFT, FWMAB, REAR PIVOT	-
10	3	8062101	SHAFT, FWMAB, MAIN PIVOT	-
11	1	8062701	SHAFT, .75 OD X 6.81 L	-
12	1	8062401	SHAFT, .75 OD X 5.06 L	-
13	2	7351001	SPACER, INC WT STACK	-
14	1	73540XX	PAD, BACK 32-1/2 X 11-1/4	-
15	8	3236601	WASHER, 3/8 SAE SS	-
16	8	3236204	SCREW, M10 X1.5 35MM	-
17*	3	7388201	FOOTPAD, PS RUBBER	-

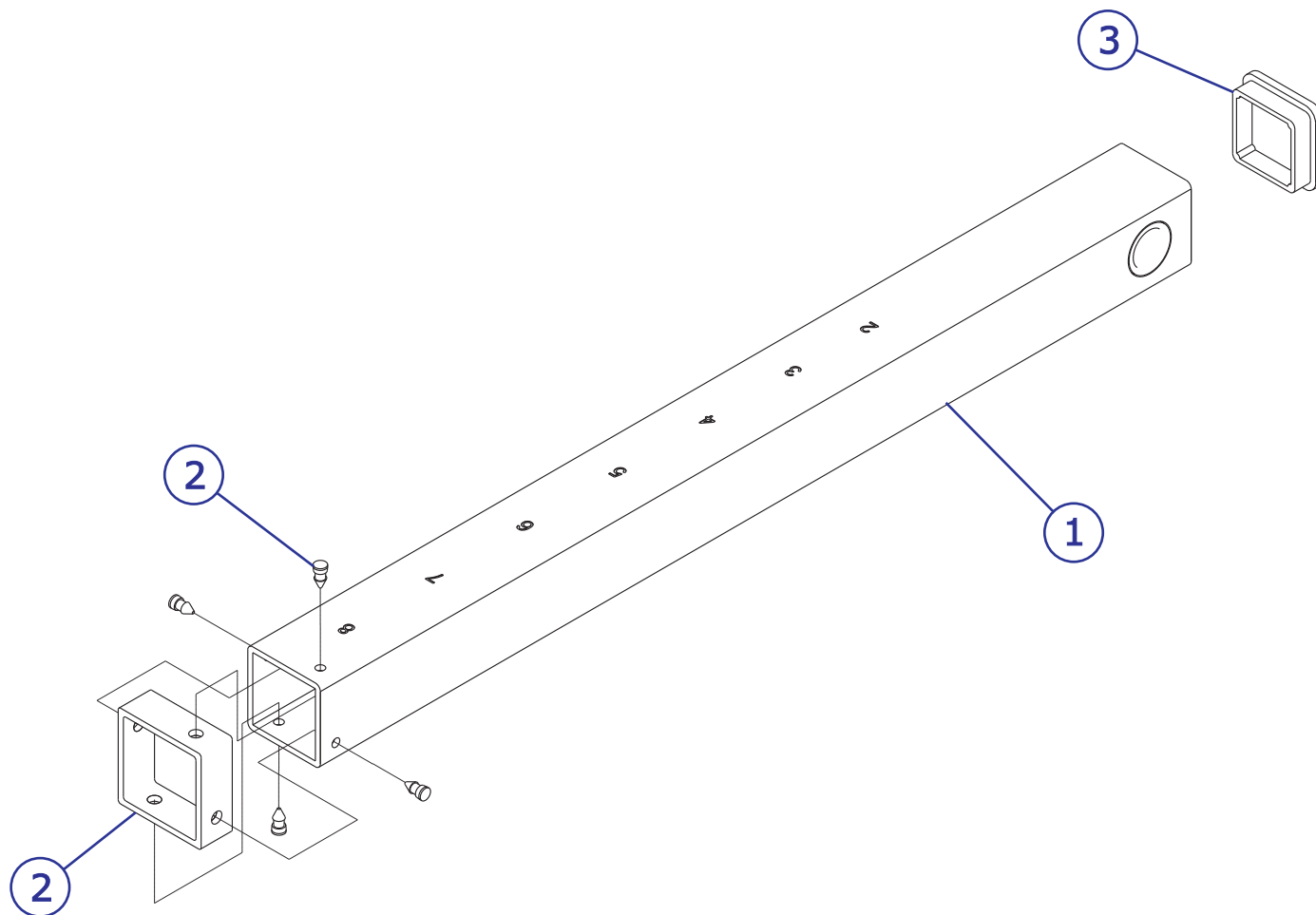
* Units built prior to 7/05/2012 use larger base plates that do not accept footpads



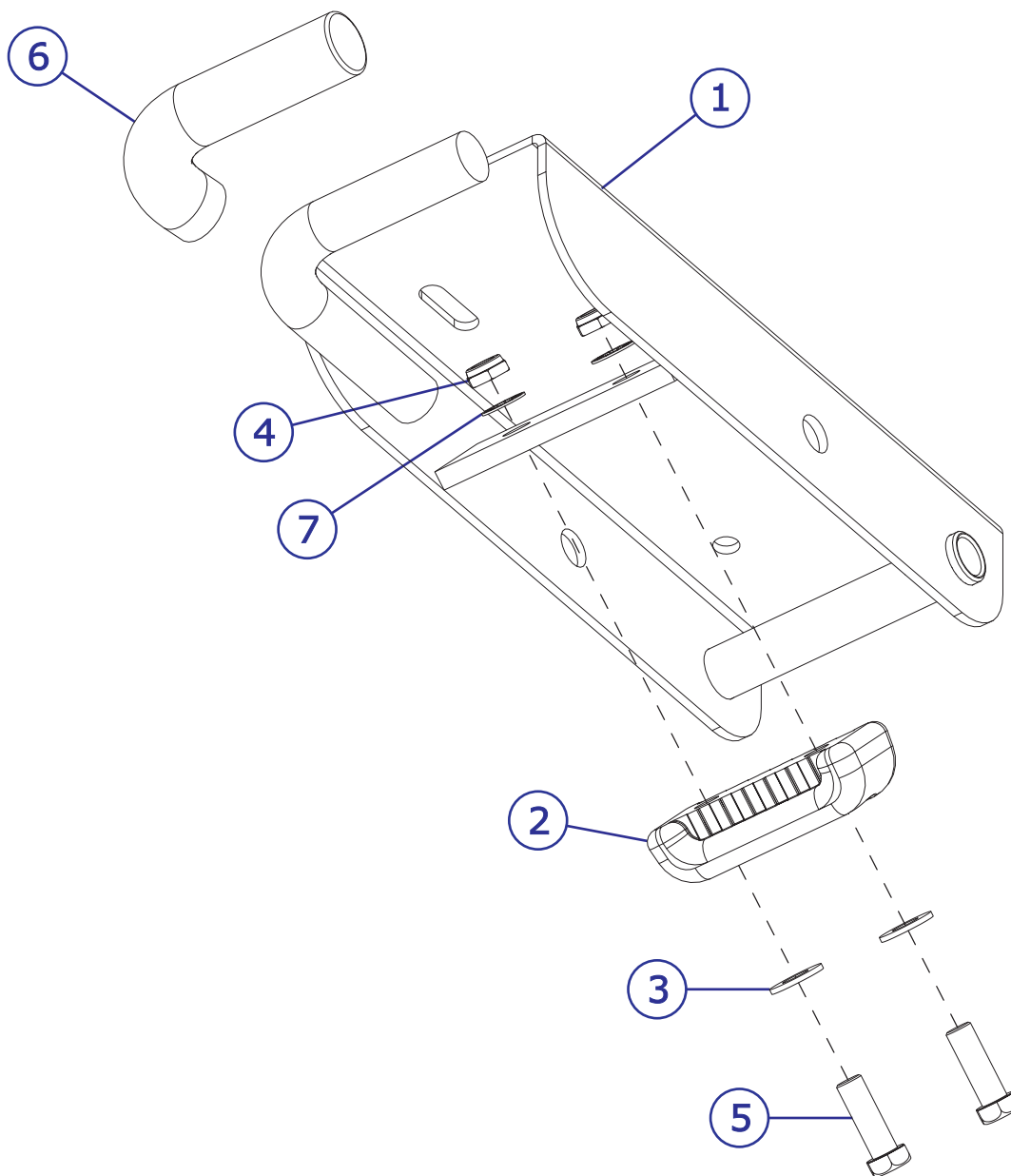
ITEM NO.	QTY.	PART NO.	DESCRIPTION	FRAME COLOR
1	1	7962101	WLDMT, FWMAB BOTTOM FRM	ANY
2	2	0K59-01164-0000	WHEEL, 3.0 OD X .50 ID OVERMOLD	-
3	4	3236601	WASHER, 3/8 SAE SS	-
4	2	3102802	NUT, NYLOCK 3/8-16	-
5	2	3223307	3/8-16 X 2.50 HEX HEAD BOLT	-
6	3	7352301	CAP, END 2 X 3	-
7	1	9217400	CAP, 1.5IN X 2IN -10-14GA, END	-
8	1	7422003	LABEL, MOVING PARTS	-
9	1	M051-00299-A000	HAMMER PATENT DECAL	-
10	2	M051-00289-A000	HAMMER STRENGTH BADGE	-
11	1	3237401	PLUG, 7/16" HOLE	-
12	2	7961401	AXLE, FW, WHEEL	-



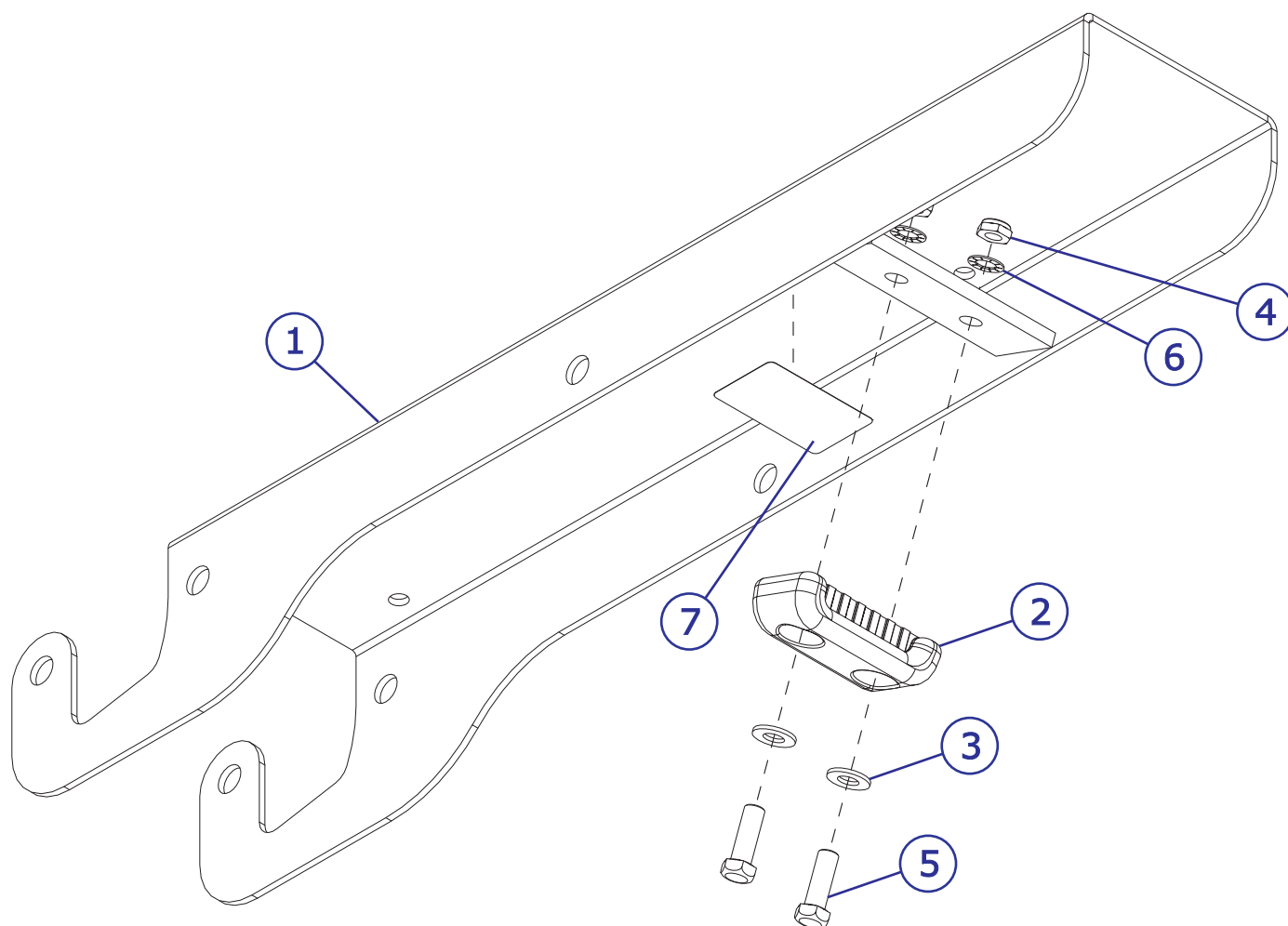
ITEM NO.	QTY.	PART NO.	DESCRIPTION	FRAME COLOR
1	1	7659901	WLDMT, FWMAB ADJ TUBE	-
2	1	7660101	INSERT: FWMAB PLASTIC SEAT 2 X 2	-
3	2	3274001	SCREW, 8-32X1/4 PHILLIPS PAN HEAD, TYPE F	-
4	1	7351501	SPRING, PULL PIN LARGE	-
5	1	7351301	PIN, PULL X 4.375	-
6	1	7351401	KNOB, TULIP STYLE	-
7	1	7689901	CAP, END 2.25 X 2.25	-
8	2	3114407	WASHER, FLAT #10 SAE BZ	-



ITEM NO.	QTY.	PART NO.	DESCRIPTION	FRAME COLOR
1	1	7962201	WLDMT, FWMAB ADJ. SLIDE	-
2	1	7662301	BUSHING, FWMAB SLIDE	-
3	1	7477501	CAP, END, 1-3/4 SQ, 11GA SGR	-



ITEM NO.	QTY.	PART NO.	DESCRIPTION	FRAME COLOR
1	1	7660601	WLDMT, FWMAB SEAT ASSY	ANY
2	1	7352001	BUMPER, 2-1/8 X 4-5/8	-
3	2	3102507	WASHER, FLAT 1/2 SAE ST ZN	-
4	2	3102804	NUT, NYLOCK-JAM 1/2-13 ST ZN	-
5	2	3239306	1/2-13 X 1.50 UNS HEX FHB G5 ZN	-
6	1	H-GRIP	HAND GRIP	-
7	2	3239505	WSH, .500 IN-D ST ZN	-



ITEM NO.	QTY.	PART NO.	DESCRIPTION	FRAME COLOR
1	1	7661501	WLDMT, FWMAB BENCH BACK	ANY
2	1	7352001	BUMPER, 2-1/8 X 4-5/8	-
3	2	3102507	WASHER, FLAT 1/2 SAE ST ZN	-
4	2	3102804	NUT, NYLOCK-JAM 1/2-13 ST ZN	-
5	2	3239306	1/2-13 X 1.50 UNS HEX FHB G5 ZN	-
6	2	3239505	WSH, .500 IN-D ST ZN	-
7	1	7571301	LABEL, SERIAL NUMBER, BLANK	-