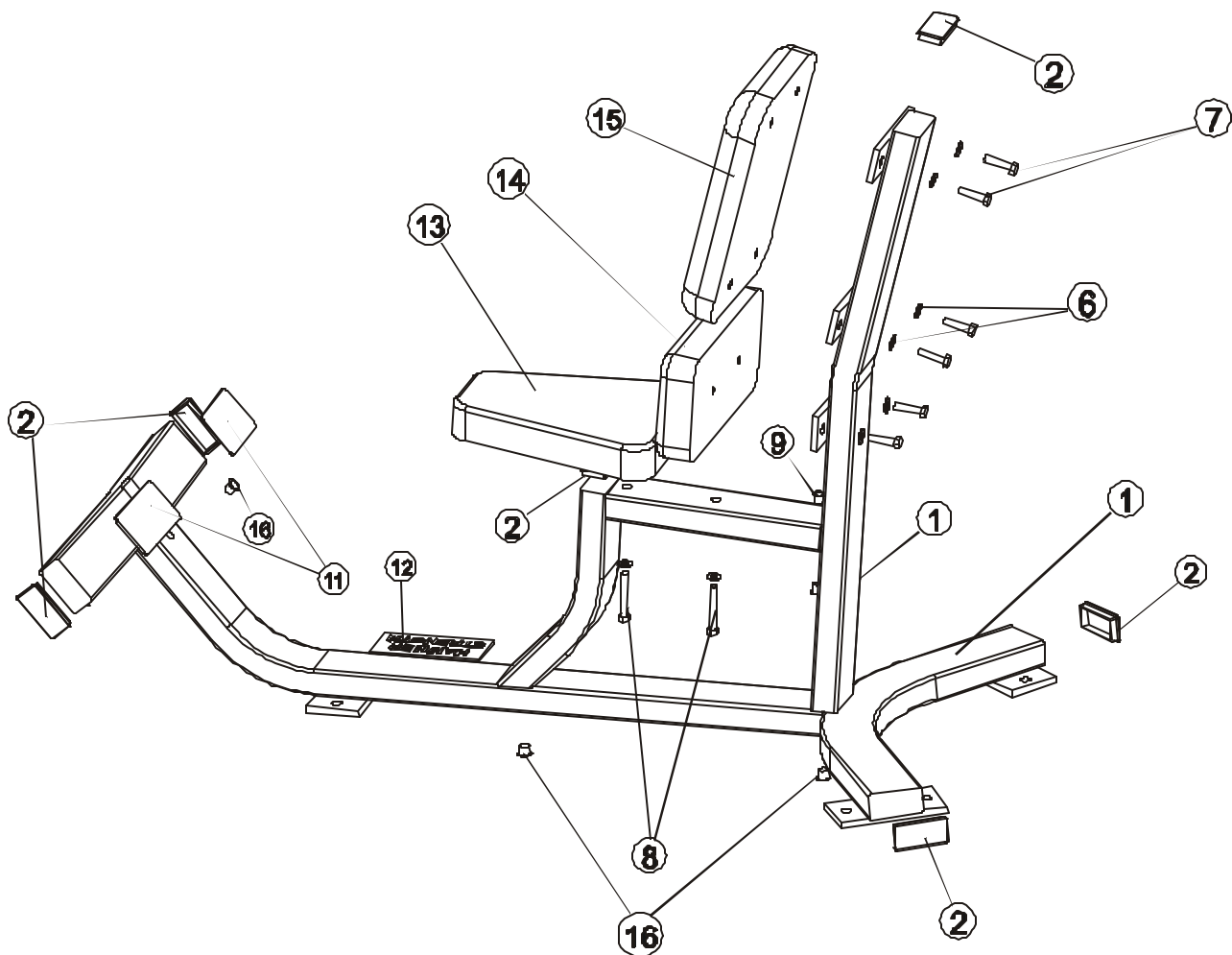


# HAMMER STRENGTH EQUIPMENT

## FWUB75 - Free Weight Utility Bench



ITEM NO.	QTY.	PART NO.	DESCRIPTION
1	1	FWUB75-BX-0	FWUB-75 Welded Assembly
2	6	H-PEND3	1 1/2 X 3 End Cap
6	8	WASH.375SAE	3/8" SAE Flat Washer
7	6	HHB.375X1.5	3/8 X 1 1/2 Bolt
8	2	HHB.375X2.5	3/8 X 2 1/2 Bolt
9	2	1-2holeplug	1/2" Hole Plug
11	2	H-PLATE-G3	Large Plate Guard
12	1	H-NAMEPLATE	Name Plate
13	1	U12-5 REG	12" Triangular Pad
14	1	U12-4.5	12" Rectangular Pad
15	1	U14-10	Standard 14" Pad
16	4	H-HPLUG	9/16" Hole Plug