

Signature Series Single Station Assisted Dip Chin

FZADC

Parts List



LifeFitness
WHAT WE LIVE FOR

FZADC ASSISTED DIP CHIN CONTENTS

FRAME AND UPHOLSTERY COLORS.....	3
SHROUD OPTIONS.....	4
PAINTED COMPONENTS.....	5
COMPONENT ASSEMBLY.....	6
COMPONENT ASSEMBLY LEGEND.....	7
TOWER ASSEMBLY.....	8
STANDARD PLASTIC TOWER ASSEMBLY.....	9
OPTIONAL WRAPPED SHROUDS.....	10
STANDARD WEIGHT STACK ASSEMBLY.....	11
5 LB. INCREMENT WEIGHT ASSEMBLY.....	12
10 LB. INCREMENT WEIGHT ASSEMBLY.....	13
15 LB. INCREMENT WEIGHT ASSEMBLY.....	14
HEAD PLATE ASSEMBLY.....	15
CABLE ROUTING.....	16

ITEMS IN RED TEXT ARE COLOR/LANGUAGE SPECIFIC

FZADC ASSISTED DIP CHIN FRAME AND UPHOLSTERY COLORS

Strength Frame Colors



Platinum



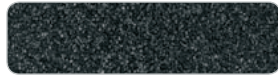
White



Black



Ice Blue Metallic



Midnight Metallic



Nickel



Blue



Red



Yellow



Candy Apple Red

Note: Include frame color in pick-slip notes when ordering frame assemblies or weldments.

Strength Upholstery Colors



American Beauty Red 07



Azure 20



Black 01



Cranberry 04



Graphite 22



Hunter Green 13



Regimental Blue 14



Royal Blue 02



Slate 03



Wheat 21



Burgundy 29



Candy Apple Red 28



Chestnut 34



Concord 16



Crocus 19



Dove Gray 37



Emerald 27



Grotto 25



Gun Metal 39



Imperial Blue 33



Jade 26



Navy 32



Northwoods Green 05



Paprika 35



Plum 30



Putty 38



Space Blue 06



Suede 08



Terra Cotta 36



Turquoise 17

Note: Replace XX with above color suffix when ordering pads (ie. 74123XX = 7412301 Black)
Use 99 suffix for custom upholstery.

FZADC ASSISTED DIP CHIN SHROUD OPTIONS

STANDARD SHROUD NO WRAP

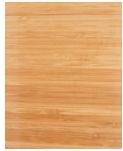


TRANSLUCENT



OPTIONAL StackWraps™ SHROUD + WRAP

BAMBOO



BRONZE



ROSEWOOD



SKY



STAINLESS STEEL



STEM



CO-BRANDED StackWraps™

SHROUD + WRAP

(refer to co-branded parts list)



PLANET FITNESS

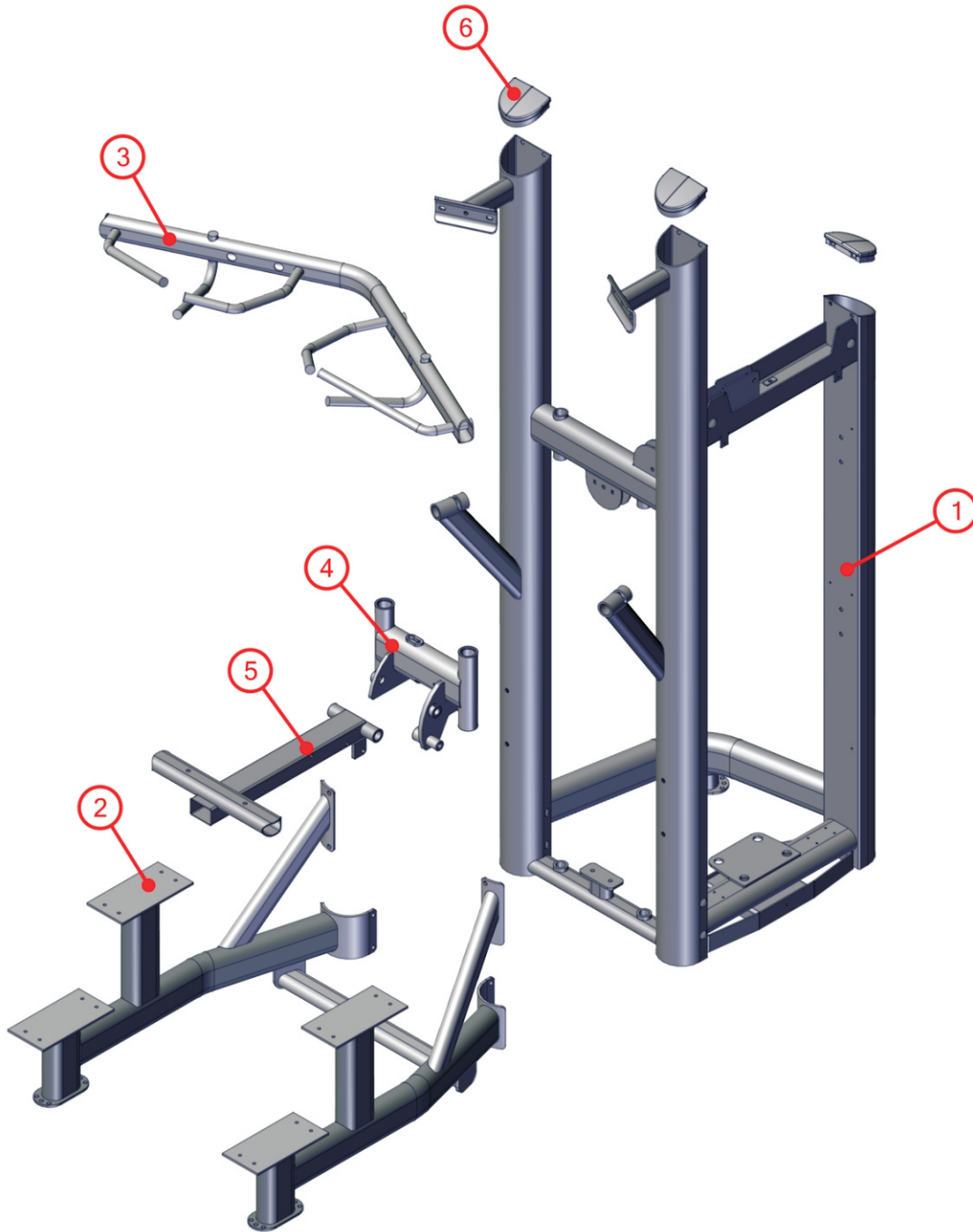


BLINK FITNESS



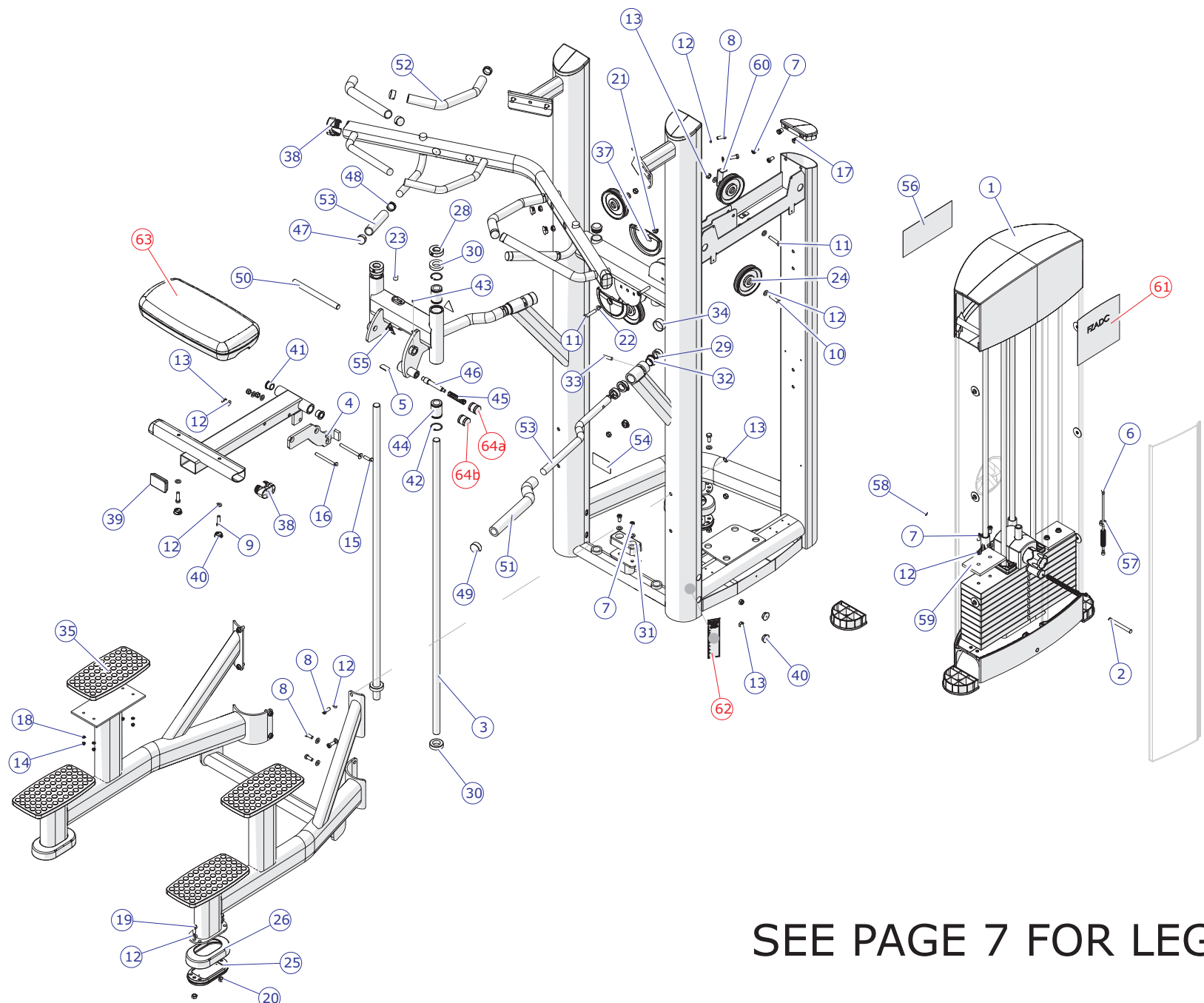
RETRO FITNESS

FZADC ASSISTED DIP CHIN PAINTED COMPONENTS



ITEM NO.	PART NUMBER	DESCRIPTION	QTY.	FRAME COLOR
1	POSSIBLE RMA	WLDMT, FZADC TOWER	1	ANY
2	8940500	WLDMT, FZADC LOWER BASE	1	ANY
3	8940000	WLDMT, FZADC CHIN UP	1	ANY
4	8938400	WLDMT, FZADC CARRIAGE	1	ANY
5	8939100	WLDMT, FZADC FOOT BAR	1	ANY
6	7326201	CAP, D-TUBE-TOP	3	ANY

FZADC ASSISTED DIP CHIN COMPONENT ASSEMBLY

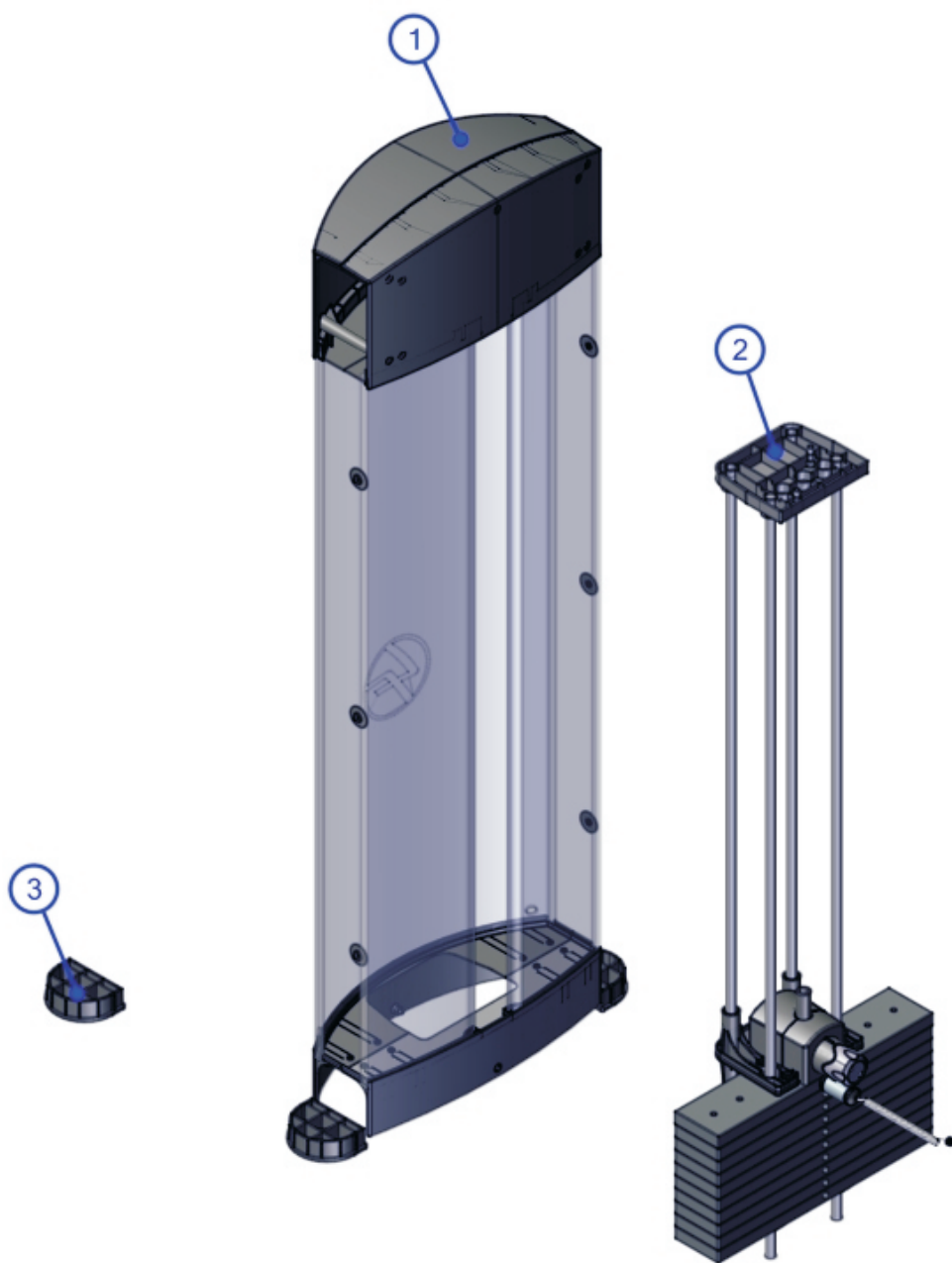


SEE PAGE 7 FOR LEGEND

FZADC ASSISTED DIP CHIN COMPONENT ASSEMBLY LEGEND

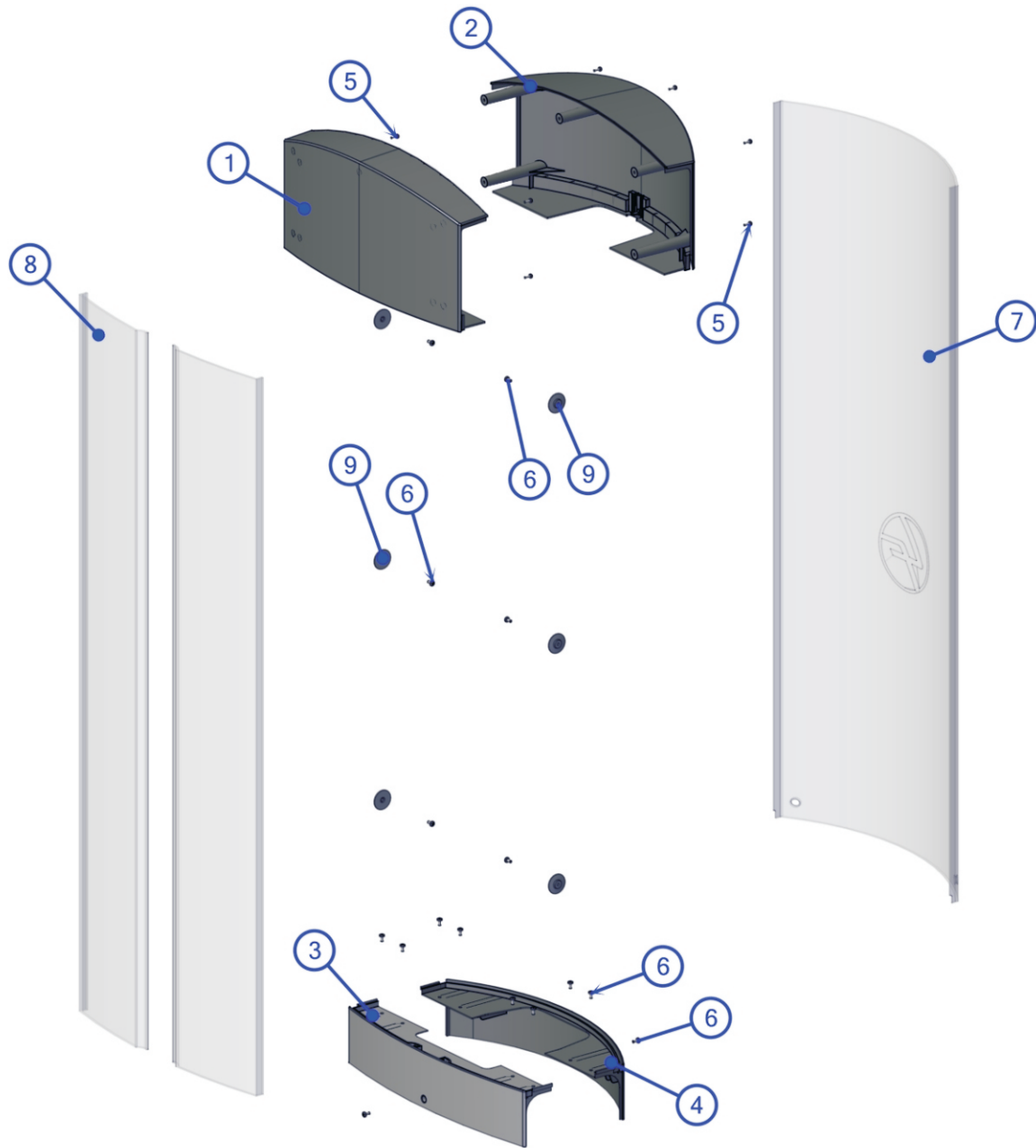
ITEM NO.	QTY.	PART NO.	DESCRIPTION
1	1	SEE PAGE 8	ASSY,FZ HIGH TOWER-9
2	1	7564501	PIN, FZ/PS, WEIGHT PLATE
3	2	7619801	GUIDE ROD, 1" DIA CASE HARDNED X 52"
4	1	8942201	STRIKER PLATE, FZADC
5	1	7570801	GUARD, PAINT 1.25"x.75"x.25"
6	1	7423727	CABLE, FZADC 82-1/2
7	12	3236201	SCREW, M10 X1.5 20MM
8	12	3236202	SCREW, M10 X1.5 25MM
9	2	3236204	SCREW, M10 X1.5 35MM
10	1	3236206	SCREW, M10 X1.5 45MM
11	3	3236207	SCREW, M10 X1.5 50MM
12	38	3236601	WASHER, 3/8 SAE SS
13	17	3236801	NUT, M10 HEX NYLOCK SS
14	16	3236802	NUT, M6 HEX NYLOCK SS
15	1	3238304	M10x1.5x35mm
16	2	3238317	M10x1.5x100mm
17	6	3238601	M10X1.5 BLIND THREADED INSERT (HEX)
18	16	3241801	WASHER, FLAT 6MM SS
19	6	3251202	SCREW, M10 X1.5 X 25MM UNS HEX CS ST ZN
20	6	3254703	NUT, M10 X 1.5 HEX ZINC
21	1	7335401	NUT, M10 X 1.5 SOCKET HEAD
22	1	7630101	RETAINER, CM/MJ, PULLEY
23	1	3271801	SCREW, SET, M16 X 2.0 X 16
24	4	3237801	PULLEY, 4.5" OD
25	3	7334001	FOOT, 2.50 X 4.49 FLOV
26	2	7340201	COVER, FOOT - STRAIGHT
27	1	7419601	COVER, FOOT-20 DEG.
28	2	7901101	SHAFT COLLAR, 1" ID ALUM
29	4	7435301	COLLAR, SHAFT 1.020 ID
30	4	7946201	BUMPER, PSADC CARRIAGE
31	1	8832301	SMALL BUMPER (VEN# MM3)
32	4	3104903	1.00" ID 1.25" OD BRONZ BUSHING
33	2	3110004	ROLL PIN
34	2	3242601	CAP, END, 1.375 X .750 RD, BLACK VINYL
35	4	7640301	FOOT PAD, CM/MJ, OVERMOLD
36	1	3119306	CAP, END 1.50 DIA RD 8-12 GA
37	2	8094101	COVER, PULLEY-BOLTED PARTIAL
38	4	7333801	CAP, SMALL FLOV- END
39	1	7352301	CAP, END 2 X 3
40	12	3237403	PLUG, 1" HOLE
41	2	3104901	.75" ID 1.00" OD BRONZE BUSHING
42	4	3202601	RING, INCH SERIES INT RETAINING
43	2	3242901	SCREW, SET BO
44	4	3245601	BEARING, LINEAR 1" ID
45	1	7351501	SPRING, PULL PIN LARGE
46	1	7351301	PIN, PULL X 4.375
47	6	7662901	CAP, GRIP 1.25 OD
48	4	7662801	RING, GRIP 1.25 OD
49	2	7662902	CAP, GRIP 1.50 OD
50	1	8939601	SHAFT, FZADC FOOT BAR PIVOT
51	1	3235802	GRIP, FZADC, DIP
52	1	3235801	GRIP FZADC OUTBOARD
53	2	8941901	BROUND, FZADC DIP HANDLE
54	1	7571301	LABEL, SERIAL NUMBER, BLANK
55	2	8039501	LABEL, WARNING, TRIANGLE
56	1	8901801	LABEL, FZADC LOGO
57	1	3236902	NUT, HEX JAM M16 X 2 SS
58	1	3243901	RING, BRE M11, ST, PP
59	2	8934801	PLATE, INCR. WGT, FZADC
60	1	6757701	CLIP, CABLE 2-7/8 X 1 X 1
61	1	8901401	LABEL, FZADC PLACARD - ENGLISH
		8901402	LABEL, FZADC PLACARD - GERMAN
		8901403	LABEL, FZADC PLACARD - FRENCH
		8901404	LABEL, FZADC PLACARD - SPANISH
		8901405	LABEL, FZADC PLACARD - ITALIAN
		8901406	LABEL, FZADC PLACARD - DUTCH
		8901407	LABEL, FZADC PLACARD - JAPANESE
		8901408	LABEL, FZADC PLACARD - PORTUGUESE
		8901410	LABEL, FZADC PLACARD - RUSSIAN
		8901411	LABEL, FZADC PLACARD - TURKISH
62	1	82200XX	LABEL, ASTM, SELECT VERT
63	1	74689XX	ASSY, PAD 18 X 9 CONVEX
64	a	7424801	KNOB, POP PIN, SHADOW GRAY
	b	7424803	KNOB, POP PIN, YELLOW

FZADC ASSISTED DIP CHIN TOWER ASSEMBLY



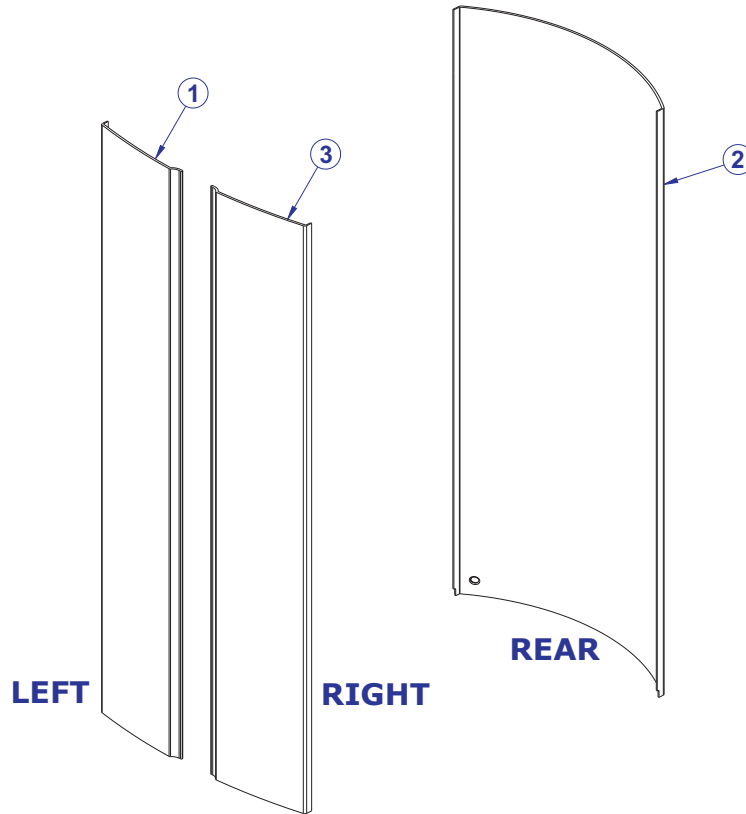
ITEM NO.	PART NUMBER	QTY.	DESCRIPTION
1	SEE PAGE 9	1	ASSY, TOWER PLASTICS - HIGH
2	SEE PAGE 11	1	ASSY, WEIGHT STACK HIGH-9
3	7326301	3	CAP, D-TUBE - BOTTOM


FZADC ASSISTED DIP CHIN STANDARD PLASTIC TOWER ASSEMBLY





ITEM NO.	QTY.	PART NO.	DESCRIPTION
1	1	7318601	COVER, TOWER- TOP FRONT
2	1	7318701	COVER, TOWER- TOP REAR
3	1	7318801	COVER, TOWER- BOTTOM FRONT
4	1	7318901	COVER, TOWER- BOTTOM REAR
5	9	3236501	M4 X 0.7 PHL PAN MS ST ZN
6	16	3239101	SCREW, M5X10 PHL PAN TT ST
7	1	7765702	SHROUD, TOWER- REAR LONG
8	2	7765602	SHROUD, TOWER- FRT SHORT LH
9	6	7583501	RETAINER, FZ SHROUD


FZADC ASSISTED DIP CHIN OPTIONAL SHROUD STACKWRAPS





BAMBOO		ITEM NO.	QTY.	PART NO.	DESCRIPTION
		1	1	8954202	SHROUD, FZ, FNT, TLL, LT -BAMBOO
		2	1	8949102	SHROUD, FZ, REAR, TLL -BAMBOO
		3	1	8949002	SHROUD, FZ, FNT, TLL, RT -BAMBOO

SKY		ITEM NO.	QTY.	PART NO.	DESCRIPTION
		1	1	8954302	SHROUD, FZ, FNT, TLL, LT -SKY
		2	1	8949302	SHROUD, FZ, REAR, TLL -SKY
		3	1	8949202	SHROUD, FZ, FNT, TLL, RT -SKY

BRONZE		ITEM NO.	QTY.	PART NO.	DESCRIPTION
		1	1	8954402	SHROUD, FZ, FNT, TLL, LT -BRONZE
		2	1	8949502	SHROUD, FZ, REAR, TLL -BRONZE
		3	1	8949402	SHROUD, FZ, FNT, TLL, RT -BRONZE

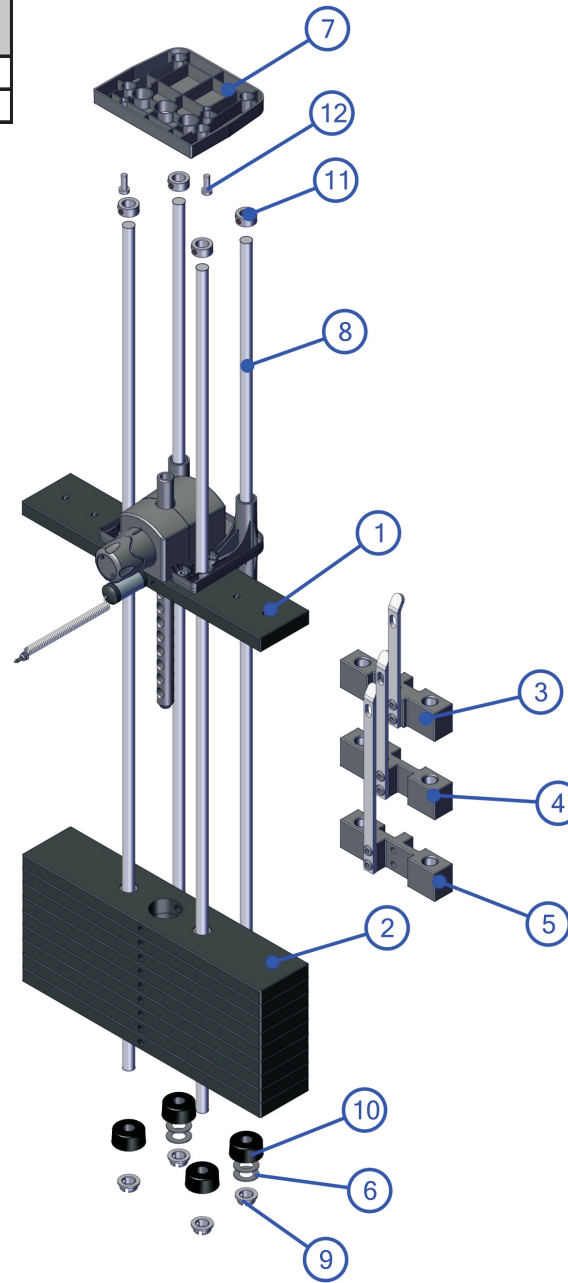
STEM		ITEM NO.	QTY.	PART NO.	DESCRIPTION
		1	1	8954502	SHROUD, FZ, FNT, TLL, LT -STEM
		2	1	8949702	SHROUD, FZ, REAR, TLL -STEM
		3	1	8949602	SHROUD, FZ, FNT, TLL, RT -STEM

ROSEWOOD		ITEM NO.	QTY.	PART NO.	DESCRIPTION
		1	1	8954602	SHROUD, FZ, FNT, TLL, LT -ROSEWOOD
		2	1	8949902	SHROUD, FZ, REAR, TLL -ROSEWOOD
		3	1	8949802	SHROUD, FZ, FNT, TLL, RT -ROSEWOOD

STAINLESS STEEL		ITEM NO.	QTY.	PART NO.	DESCRIPTION
		1	1	8954702	SHROUD, FZ, FNT, TLL, LT -STAINLESS STEEL
		2	1	8950102	SHROUD, FZ, REAR, TLL -STAINLESS STEEL
		3	1	8950002	SHROUD, FZ, FNT, TLL, RT -STAINLESS STEEL

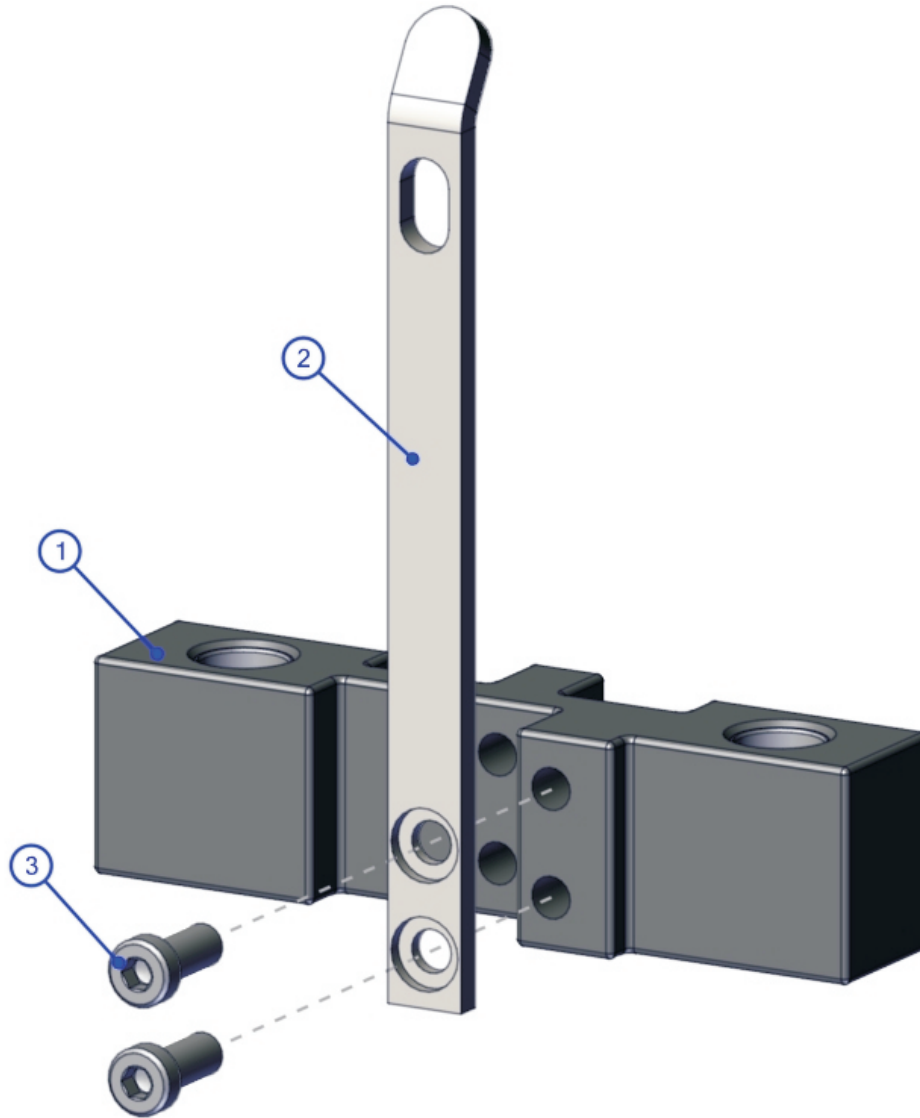
FZADC ASSISTED DIP CHIN STANDARD WEIGHT STACK ASSEMBLY

PART NUMBER	DESCRIPTION
7927201	LABEL, 390 LB STACK
7927301	LABEL, 195 KG STACK



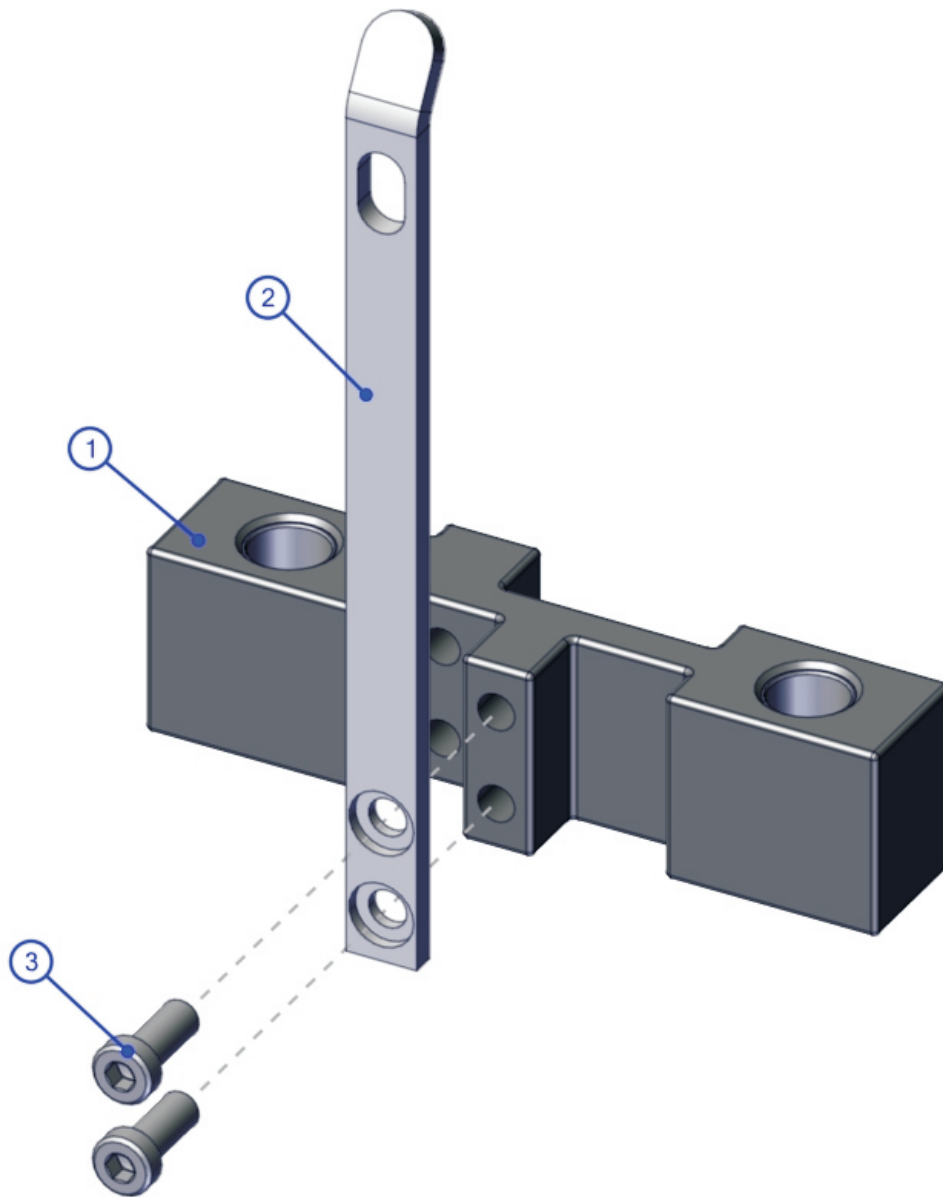
ITEM NO.	QTY.	PART NUMBER	DESCRIPTION
1	1	8989801	ASSY, 20 LB HEAD PLATE (9)
2	9	7328401	WEIGHT PLATE, 20 LB
3	1	7327601	ASSY, INCREMENT WT - 5LB
4	1	7327701	ASSY, INCREMENT WT - 10LB
5	1	7327801	ASSY, INCREMENT WT - 15LB
6	4	7351001	SPACER, INC WT STACK
7	1	7621101	RETAINER, GUIDE ROD - TOP
8	4	7328606	GUIDE ROD, .75 OD SOLID 59.63
9	4	7337901	BUSHING, GUIDE ROD
10	4	7352101	CUSHION, WEIGHT STACK
11	4	3103301	SHAFT COLLAR, 3/4 I.D. ZINC
12	2	3236202	SCREW, M10 X1.5 25MM

FZADC ASSISTED DIP CHIN 5 LB. INCREMENT WEIGHT ASSEMBLY - 7327601



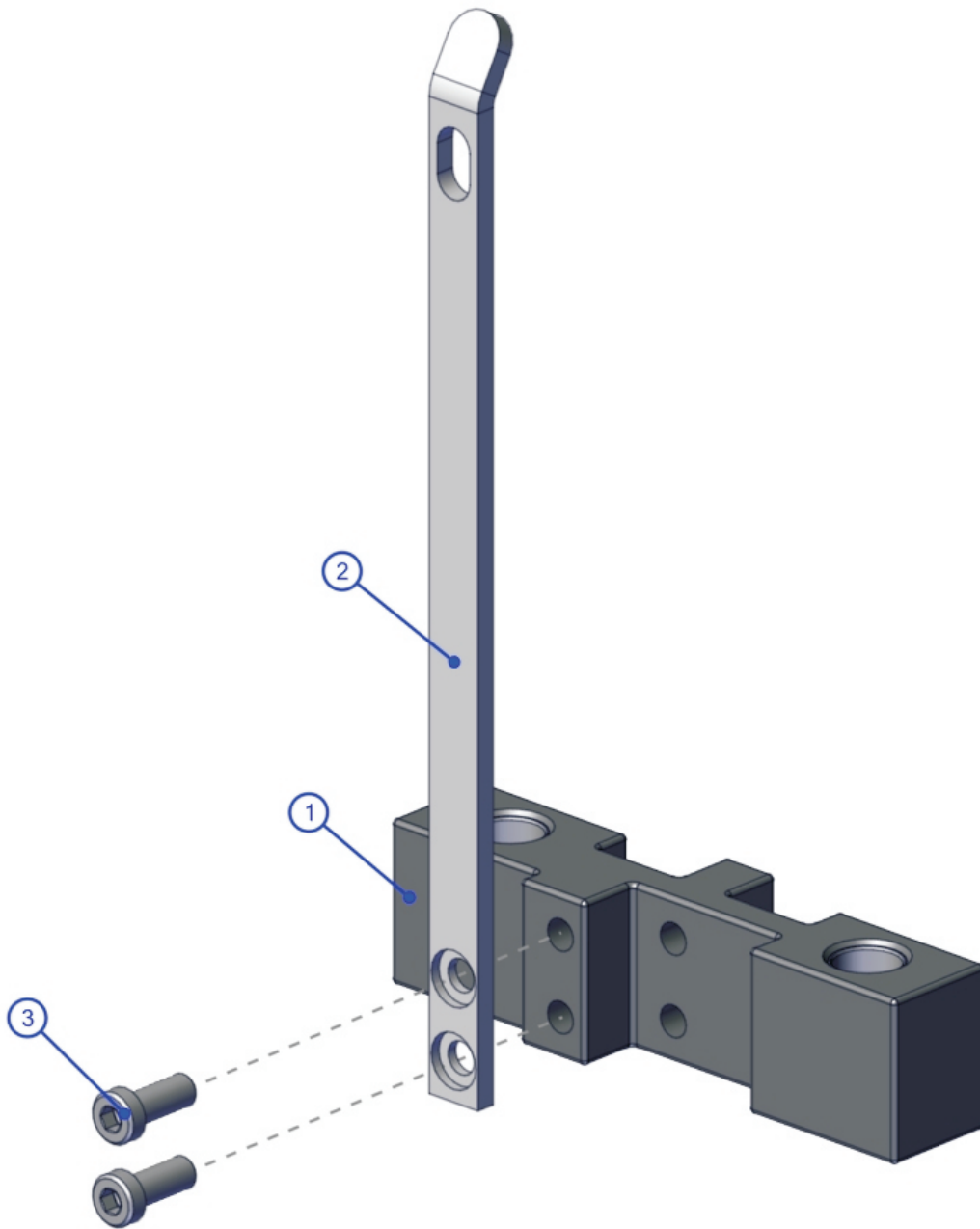
ITEM NO.	QTY.	PART NO.	DESCRIPTION
1	1	7968501	ASSY, FZ INC WEIGHT 5LB
2	1	7328001	BRKT, INCREMENT WT - 5 LB
3	2	3236202	SCREW, M10 X1.5 25MM

FZADC ASSISTED DIP CHIN 10 LB. INCREMENT WEIGHT ASSEMBLY - 7327701



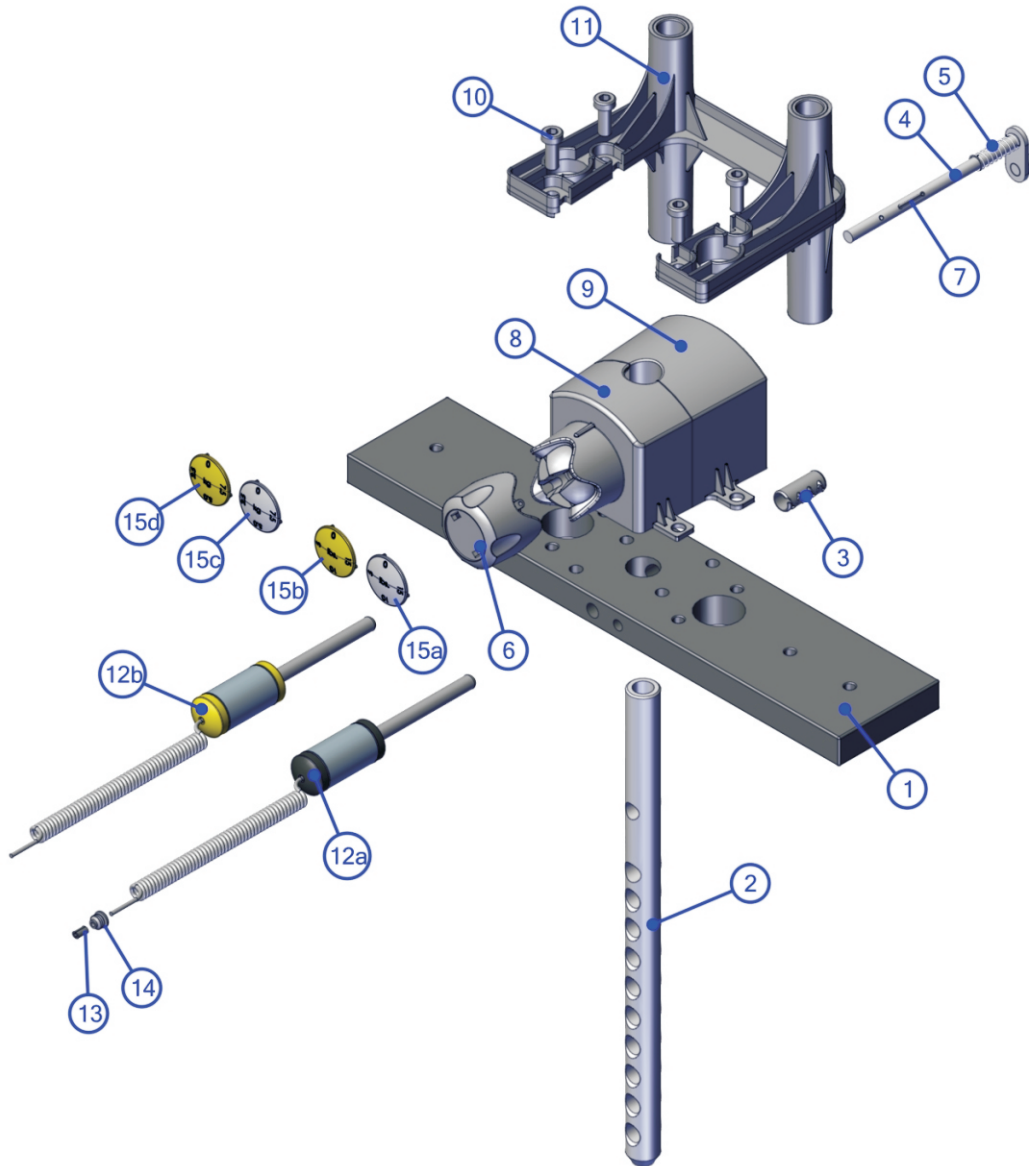
ITEM NO.	QTY.	PART NO.	DESCRIPTION
1	1	7968501	ASSY, FZ INC WEIGHT 5LB
2	1	7328101	BRKT, INCREMENT WT - 10 LB
3	2	3236202	SCREW, M10 X1.5 25MM

FZADC ASSISTED DIP CHIN 15 LB. INCREMENT WEIGHT ASSEMBLY - 7327801



ITEM NO.	QTY.	PART NO.	DESCRIPTION
1	1	7968501	ASSY, FZ INC WEIGHT 5LB
2	1	7328201	BRKT, INCREMENT WT - 15 LB
3	2	3236202	SCREW, M10 X1.5 25MM

FZADC ASSISTED DIP CHIN HEAD PLATE ASSEMBLY - 8989801

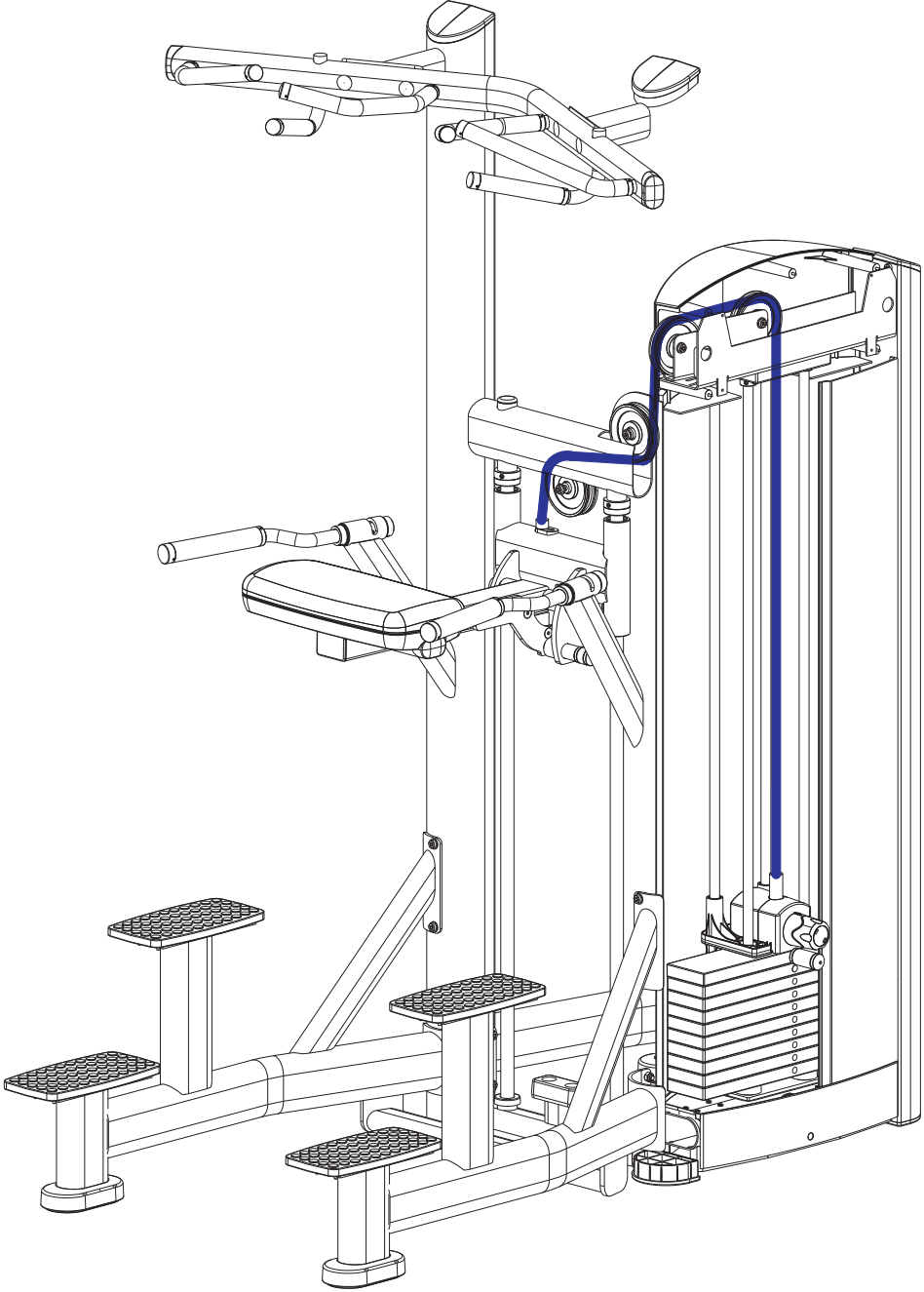


ITEM NO.	PART NUMBER	DESCRIPTION	QTY.	WHERE USED
1	8934601	HEAD PLATE, 20 LBS	1	-
2	7347801	STEM, 9 PLATE	1	-
3	3236001	BUSHING, SPRING PIN	1	-
4	7327201	WLDMT, INCREMENT WT PIN	1	-
5	8024501	SPRING, 1/2 OD X 1-1/2	1	-
6	7326101	KNOB, INC WT SELECTOR	1	-
7*	3110008	ROLL PIN, 1/8 X 1-1/4	1	-
8*	7326401	HOUSING, SELECTOR - FRONT	1	-
9*	7326501	HOUSING, SELECTOR - REAR	1	-
10	3236202	SCREW, M10 X1.5 25MM	4	-
11	8867301	ASSY, FZ, STABILIZER WITH BUSHINGS	1	-
12**	a 7338101	ASSY, WT STACK SELECTOR PIN, SHADOW GRAY	1	-
	b 7338103	ASSY, WT STACK SELECTOR PIN, YELLOW		-
13	7523601	CRIMP, CABLE	1	-
14	7356501	PLUG, LANYARD ATTACHMENT	1	-
15**	a 7398601	CAP, SELECTOR KNOB - 5 LBS, SILVER	1	REG. STACK / LBS.
	b 7398603	CAP, FZ SELECTOR KNOB - 5 LBS, YELLOW		REG. STACK / LBS.
	c 7398701	CAP, FZ SELECTOR KNOB - 2.5 KG, SILVER		REG. STACK / KG.
	d 7398703	CAP, FZ SELECTOR KNOB - 2.5 KG, YELLOW		REG. STACK / KG.

*Kit exists for component set. See bulletin FZ02012701N

**Language specific/Weight stack item. Order separately - not part of assembly.

FZADC ASSISTED DIP CHIN CABLE ROUTING



SOME COMPONENTS REMOVED FOR VIEW