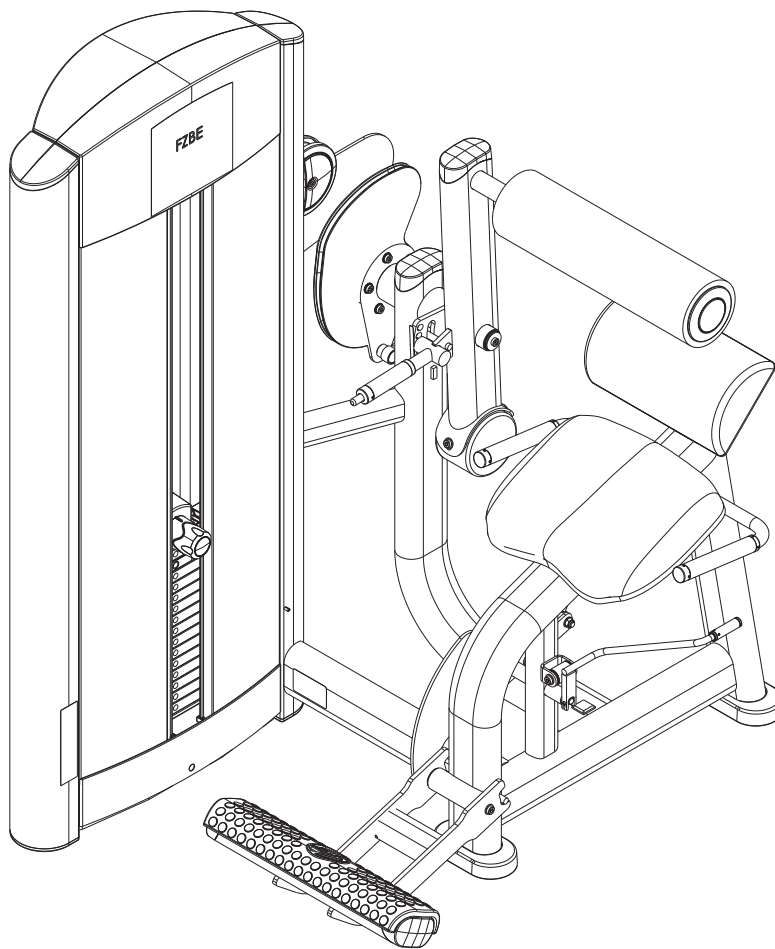


Signature Series Single Station Back Extension

FZBE

Parts List



FZBE BACK EXTENSION CONTENTS

FRAME AND UPHOLSTERY COLORS..... 3

SHROUD OPTIONS..... 4

COMPONENT ASSEMBLY..... 5

COMPONENT ASSEMBLY II..... 6

COMPONENT ASSEMBLY LEGEND..... 7

MID-14 TOWER ASSEMBLY..... 8

PLASTIC TOWER ASSEMBLY..... 9

OPTIONAL WRAPPED SHROUDS..... 10

MID-14 WEIGHT STACK ASSEMBLY..... 11

5 LB. INCREMENT WEIGHT ASSEMBLY..... 12

10 LB. INCREMENT WEIGHT ASSEMBLY..... 13

15 LB. INCREMENT WEIGHT ASSEMBLY..... 14

OPTIONAL MID-14 WEIGHT STACK ASSEMBLY..... 15

OPTIONAL 2.5 LB. INCREMENT WEIGHT ASSEMBLY..... 16

OPTIONAL 5 LB. INCREMENT WEIGHT ASSEMBLY..... 17

OPTIONAL 7.5 LB. INCREMENT WEIGHT ASSEMBLY..... 18

HEAD PLATE ASSEMBLY..... 19

HEAD PLATE ASSEMBLY LEGEND..... 20

IMAGE..... 21

FZBE BACK EXTENSION FRAME AND UPHOLSTERY COLORS

Strength Frame Colors



Platinum



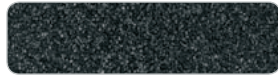
White



Black



Ice Blue Metallic



Midnight Metallic



Nickel



Blue



Red



Yellow



Candy Apple Red

Note: Include frame color in pick-slip notes when ordering frame assemblies or weldments.

Strength Upholstery Colors



American Beauty Red 07



Azure 20



Black 01



Cranberry 04



Graphite 22



Hunter Green 13



Regimental Blue 14



Royal Blue 02



Slate 03



Wheat 21



Burgundy 29



Candy Apple Red 28



Chestnut 34



Concord 16



Crocus 19



Dove Gray 37



Emerald 27



Grotto 25



Gun Metal 39



Imperial Blue 33



Jade 26



Navy 32



Northwoods Green 05



Paprika 35



Plum 30



Putty 38



Space Blue 06



Suede 08



Terra Cotta 36



Turquoise 17

Note: Replace XX with above color suffix when ordering pads (ie. 74123XX = 7412301 Black)
Use 99 suffix for custom upholstery.

FZBE BACK EXTENSION CONTENTS

STANDARD SHROUD NO WRAP



TRANSLUCENT



OPTIONAL StackWraps™ SHROUD + WRAP

BAMBOO



BRONZE



ROSEWOOD



SKY



STAINLESS
STEEL



STEM



CO-BRANDED StackWraps™

SHROUD + WRAP

(refer to co-branded parts list)



PLANET FITNESS

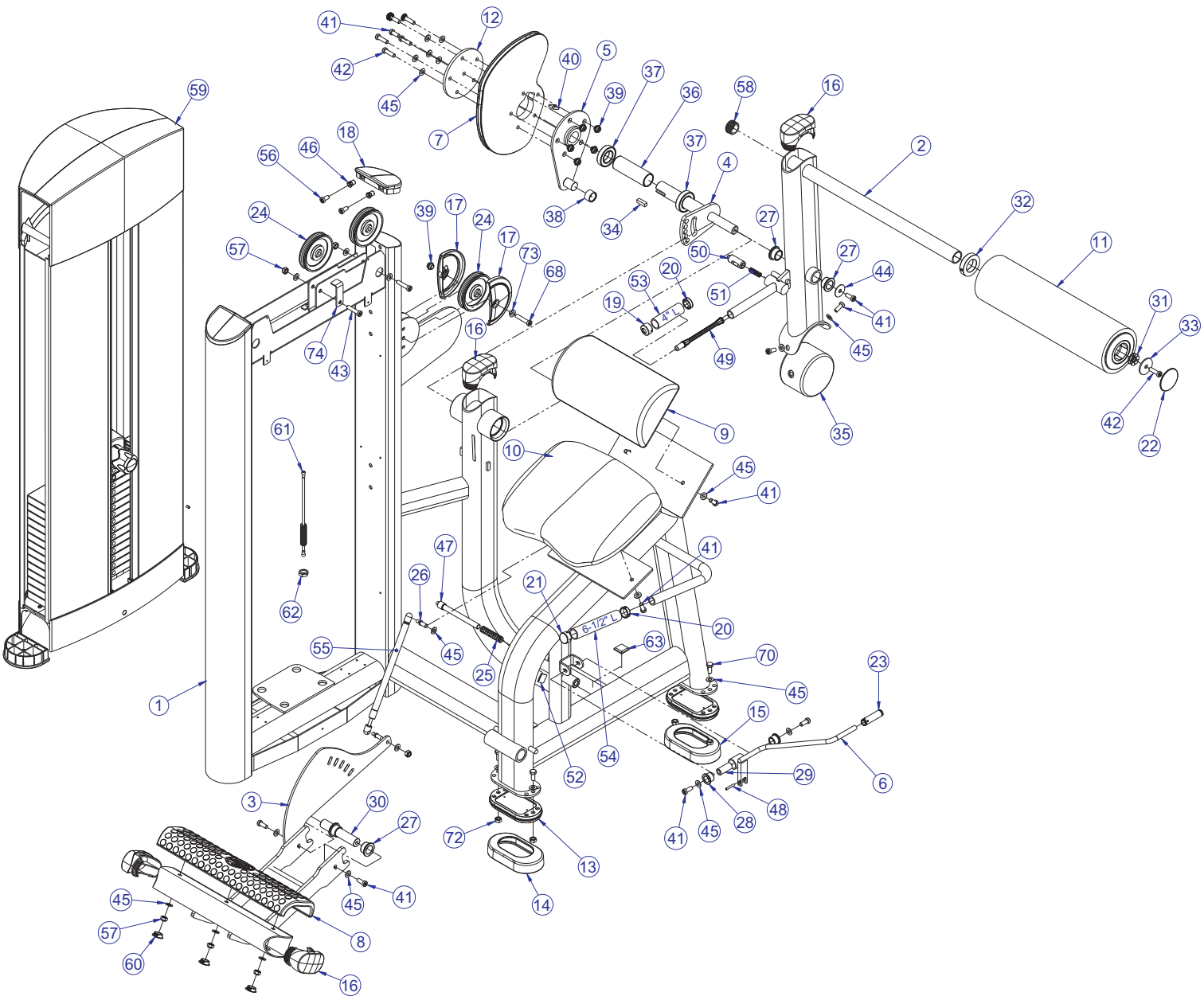


BLINK FITNESS



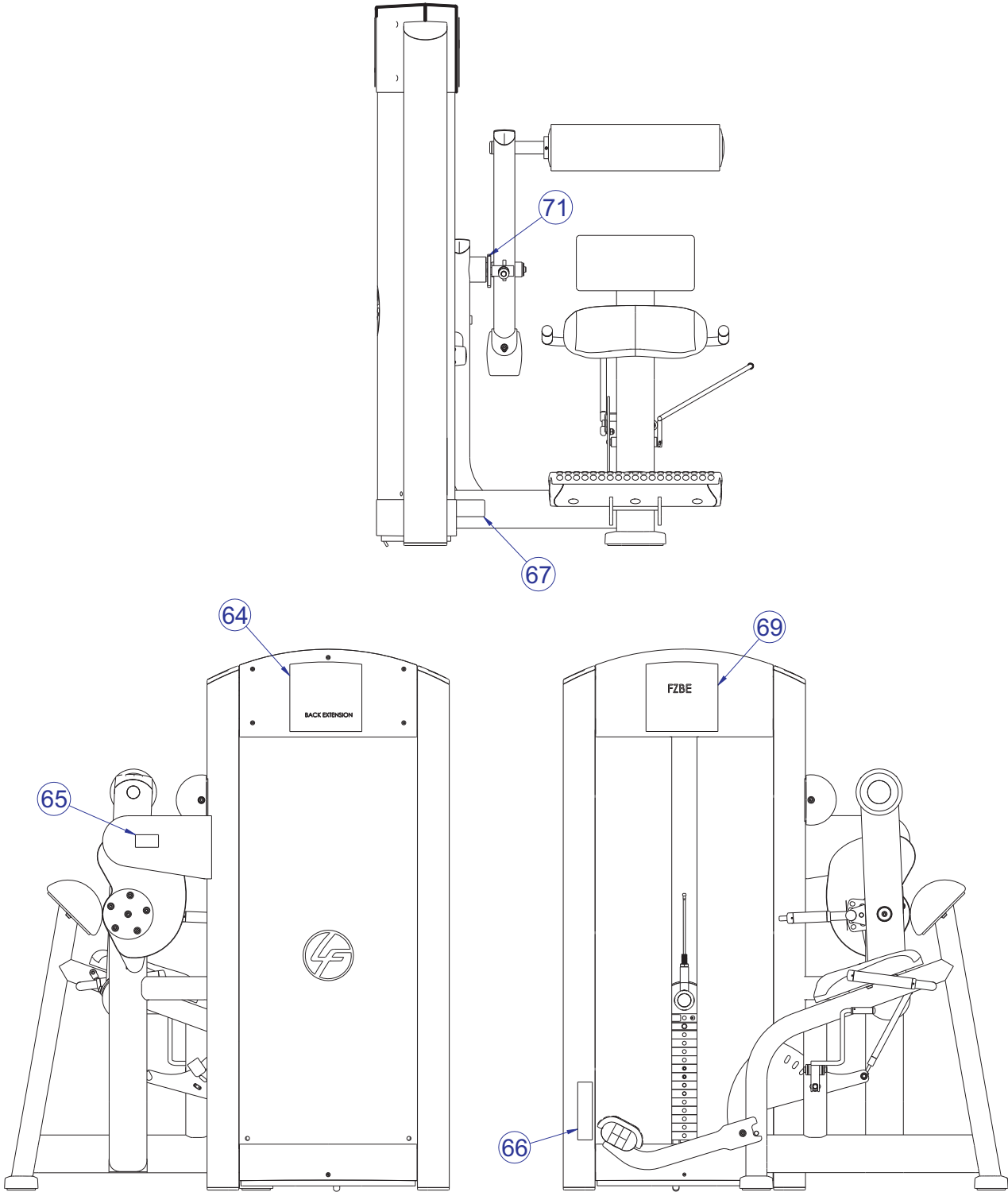
RETRO FITNESS

FZBE BACK EXTENSION COMPONENT ASSEMBLY



SEE PAGE 7 FOR LEGEND

FZBE BACK EXTENSION COMPONENT ASSEMBLY II



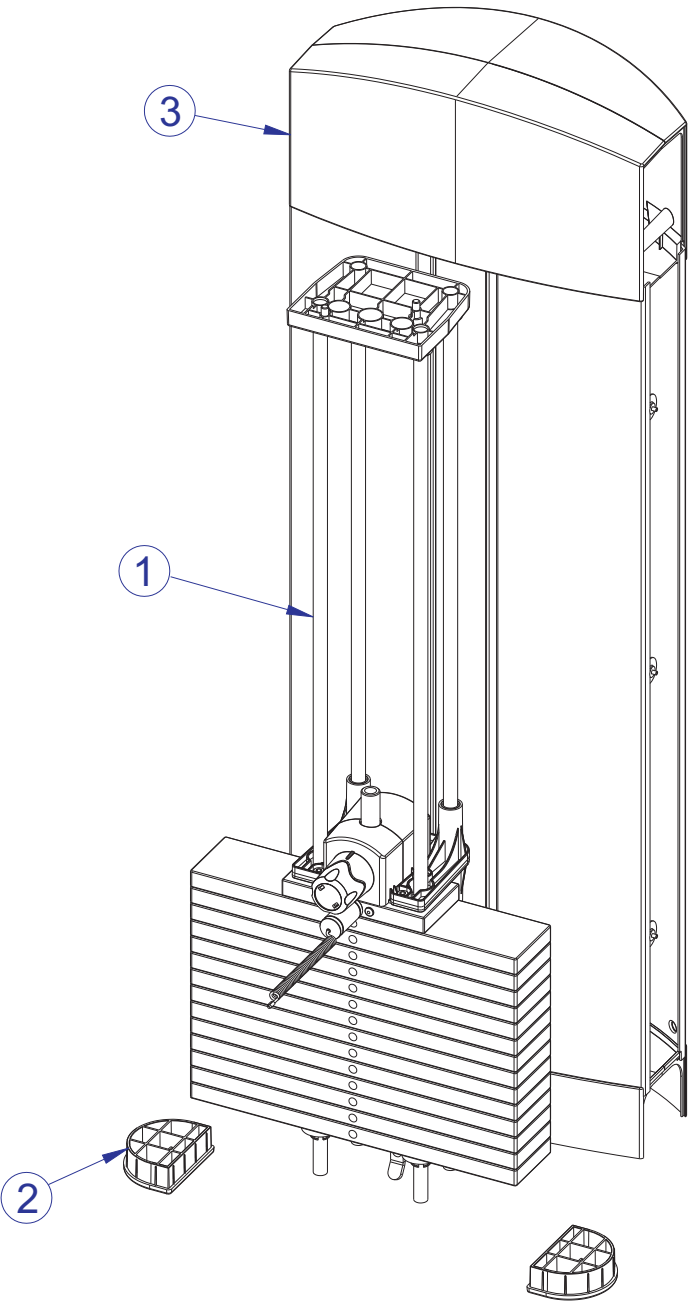
SEE PAGE 7 FOR LEGEND

FZBE BACK EXTENSION COMPONENT ASSEMBLY LEGEND

ITEM NO.	QTY.	PART NO.	DESCRIPTION
1	1		WLDMT, FZBE FRAME
2	1	8029101	WLDMT, FZBE WORK ARM
3	1	7598901	WLDMT, FZBE FOOT BAR
4	1	7774801	WLDMT, FZSLC/BE ADJ START
5	1	7599801	WLDMT, FZBE CAM STOP
6	1	7614095	WLDMT, HANDLE PIVOT SHDW GREY
7	1	7523501	CAM, FZBE
8	1	7523701	FOOTPLATE, OVERMOLDED
9	1	76264XX	PAD, LUMBAR, NO BACKER
10	1	72972XX	PAD, LARGE CHAIR
11	1	73928XX	ASSY, ROLLER PAD - LONG
12	1	7329101	PLATE, FZ, CAM COVER
13	2	7334001	FOOT, 2.50 X 4.49 FLOV
14	1	7340201	COVER, FOOT - STRAIGHT
15	1	7419701	COVER, FOOT 10 DEG
16	4	7333901	CAP, LARGE FLOV- END
17	2	8094101	COVER, PULLEY-BOLTED PARTIAL
18	2	7326201	CAP, D-TUBE - TOP
19	1	7663001	CAP, GRIP W/HOLE 1.25 OD
20	3	7662801	RING, GRIP 1.25 OD
21	2	7662901	CAP, GRIP 1.25 OD
22	1	7308701	CAP, BEARING HOUSING
23	1	7681901	HANDLE, REMOTE, SHADOW GRAY
		7681903	HANDLE, REMOTE, YELLOW
24	3	3237801	PULLEY, 4.5" OD
25	1	7748701	SPRING, PULL PIN - STRONG
26	2	7414301	STUD, M10 BALL END M10 X 1.5
27	4	3104903	1.00" ID 1.25" OD BRONZ BUSHING
28	2	3104901	.75" ID 1.00" OD BRONZE BUSHING
29	1	7324802	SHAFT, TAPPED 0.75 DIA X 1.800
30	1	7324902	SHAFT, TAPPED 1 DIA X 5.330
31	1	7347301	NUT, SPIDER M10 X 1.5
32	1	7357901	SHAFT COLLAR, 1-1/2" ID ALUM
33	1	7322301	PLATE, 1.97 OD X .44 ID 10GA
34	1	7511601	KEY, .375 SQUARE X 1.25
35	1	7801901	COUNTER WEIGHT, SMALL - COATED
36	1	7511504	SPACER, FZ/PS INTERNAL 4.845
37	2	3243201	BEARING, 6007 BALL

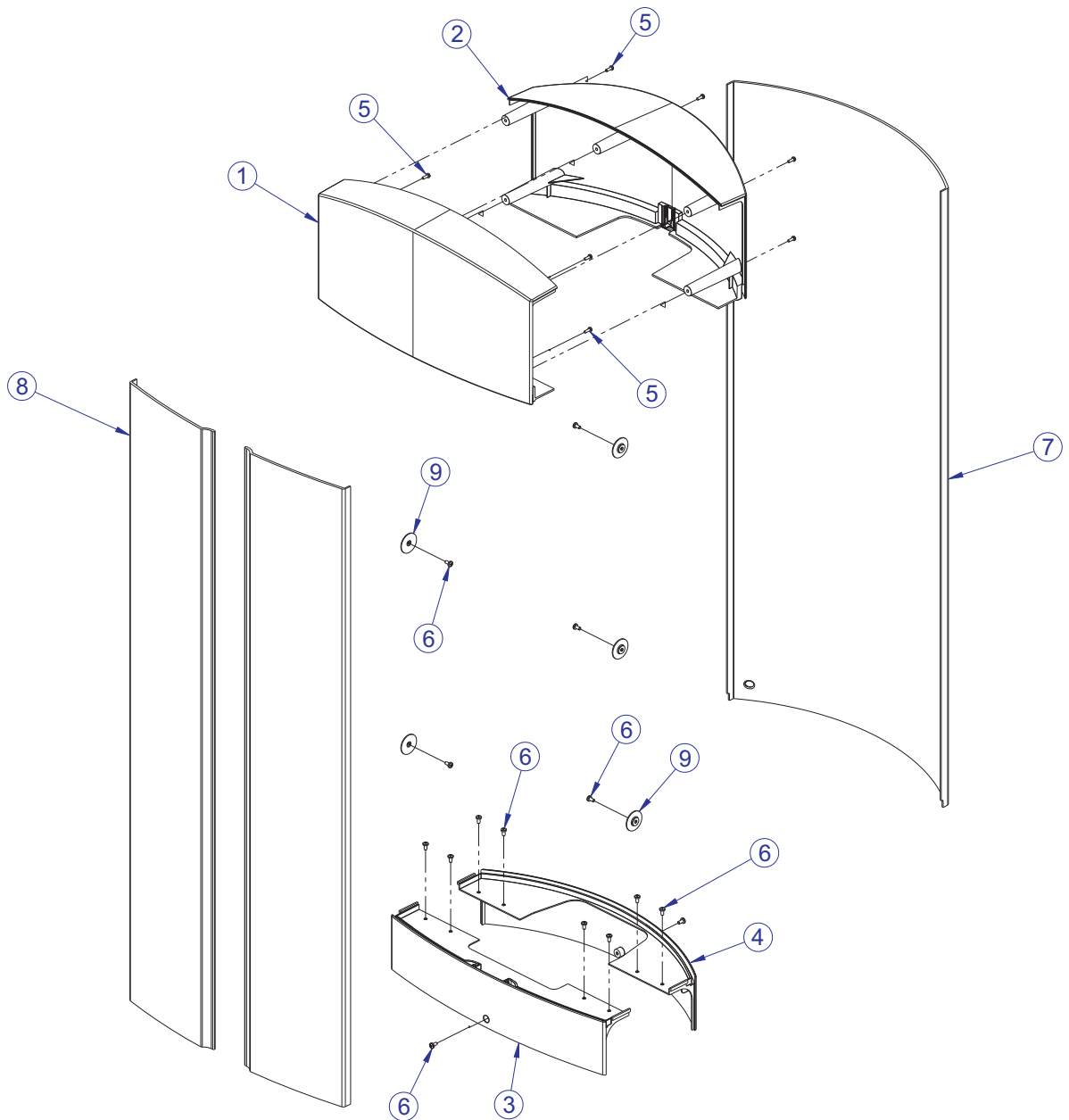
ITEM NO.	QTY.	PART NO.	DESCRIPTION
38	1	7690101	BUMPER, SLEEVE - 1 INCH DIA
39	6	7335401	NUT, M10 X 1.5 SOCKET HEAD
40	1	7342201	PLATE, CABLE END
41	12	3236202	SCREW, M10 X1.5 25MM
42	6	3236204	SCREW, M10 X1.5 35MM
43	2	3236206	SCREW, M10 X1.5 45MM
44	1	3236701	WASHER, FENDER 3/8" IDX 1.5"OD SS
45	28	3236601	WASHER, 3/8 SAE SS
46	4	3238601	M10X1.5 THREADED INSERT (HEX)
47	1	7767101	PIN, PULL X 6.59
48	1	3110011	ROLL PIN, 3/16 X 1-1/4
49	1	7780101	ROD, PUSH PIN, BLACK
		7780103	ROD, PUSH PIN, YELLOW
50	1	8032401	PIN, PUSH
51	1	8024501	SPRING, 1/2 OD X 1-1/2
52	1	6140701	GLIDE 1 X 1
53	1	3235801	GRIP, 1.25" OD X 4"
54	2	3235801	GRIP, 1.25" OD X 6-1/2"
55	1	3235701	SPRING, GAS 150N
56	4	3236201	SCREW, M10 X1.5 20MM
57	6	3236801	NUT, M10 HEX NYLOCK SS
58	1	3119306	CAP, END 1.50 DIA RD 8-12 GA
59	1	7420401	ASSY, MID TOWER-14
60	3	3237403	PLUG, 1" HOLE
61	1	7423718	CABLE, FZBE 83-1/2
62	1	3236902	NUT, M16 X 2 HEX JAM SS
63	1	3116001	BUMPER, RUBBER 1-1/4 SQ
64	1	7648101	LABEL, FZBE LOGO
65	1	7422003	LABEL, MOVING PARTS
66	1	7422004	LABEL, 2" ASTM WARN
67	1	7571301	LABEL, SERIAL NUMBER
68	1	3236207	SCREW, M10 X1.5 50MM
69	1	7648001	LABEL, FZBE PLAC ARD
70	4	3251202	SCREW, M10X1.5X25MM HEX ST ZN
71	1	7777901	LABEL, 1-5 STRAIGHT
72	4	3254703	NUT, M10 X 1.5 HEX ZINC
73	1	7630101	RETAINER, CM/MJ, PULLEY
74	1	6757701	CLIP, CABLE 2-7/8 X 1 X 1

FZBE BACK EXTENSION MID-14 TOWER ASSEMBLY - 7420401



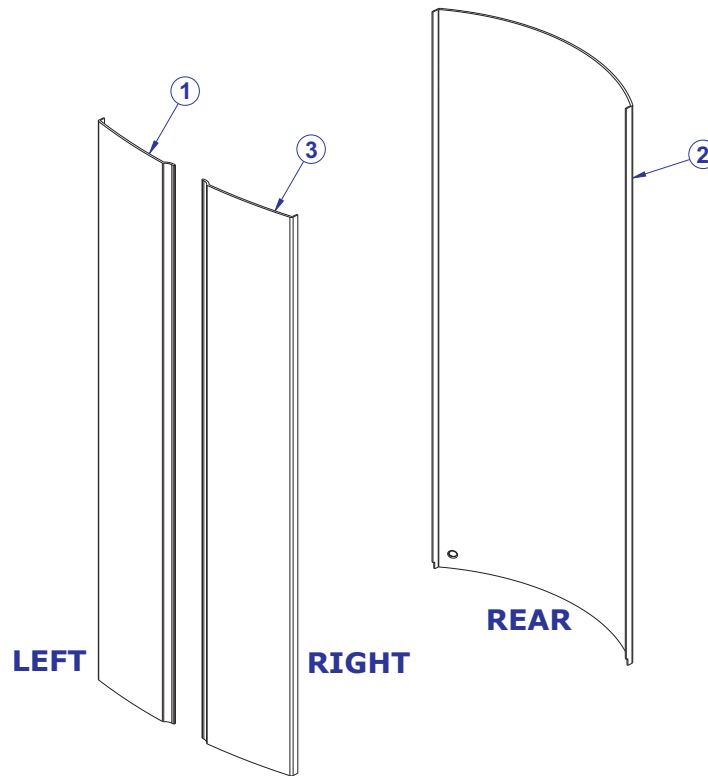
ITEM NO.	QTY.	PART NO.	DESCRIPTION
1	1	7420101	ASSY, WEIGHT STACK MID-14
2	2	7326301	CAP, D-TUBE-BTM
3	1	7419801	ASSY, TOWER PLASTICS-MID


FZBE BACK EXTENSION PLASTIC TOWER ASSEMBLY - 7419801




ITEM NO.	QTY.	PART NO.	DESCRIPTION
1	1	7318601	COVER, TOWER- TOP FRONT
2	1	7318701	COVER, TOWER- TOP REAR
3	1	7318801	COVER, TOWER- BOTTOM FRONT
4	1	7318901	COVER, TOWER- BOTTOM REAR
5	9	3236501	M4 X 0.7 PHL PAN MS ST ZN
6	16	3239101	SCREW, M5X10 PHL PAN TT ST
7	1	7765701	SHROUD, TOWER- REAR SHORT
8	2	7765601	SHROUD, TOWER- FRT SHORT RH
9	6	7583501	RETAINER, FZ SHROUD


FZBE BACK EXTENSION OPTIONAL WRAPPED SHROUDS





BAMBOO		ITEM NO.	QTY.	PART NO.	DESCRIPTION
		1	1	8954201	SHROUD, FZ, FNT, SRT, LT -BAMBOO
		2	1	8949101	SHROUD, FZ, REAR, SRT -BAMBOO
		3	1	8949001	SHROUD, FZ, FNT, SRT, RT -BAMBOO

SKY		ITEM NO.	QTY.	PART NO.	DESCRIPTION
		1	1	8954301	SHROUD, FZ, FNT, SRT, LT -SKY
		2	1	8949301	SHROUD, FZ, REAR, SRT -SKY
		3	1	8949201	SHROUD, FZ, FNT, SRT, RT -SKY

BRONZE		ITEM NO.	QTY.	PART NO.	DESCRIPTION
		1	1	8954401	SHROUD, FZ, FNT, LT - BRONZE
		2	1	8949501	SHROUD, FZ, REAR -BRONZE
		3	1	8949401	SHROUD, FZ, FNT, SRT, RT -BRONZE

STEM		ITEM NO.	QTY.	PART NO.	DESCRIPTION
		1	1	8954501	SHROUD, FZ, FNT, SRT, LT -STEM
		2	1	8949701	SHROUD, FZ, REAR, SRT -STEM
		3	1	8949601	SHROUD, FZ, FNT, SRT, RT -STEM

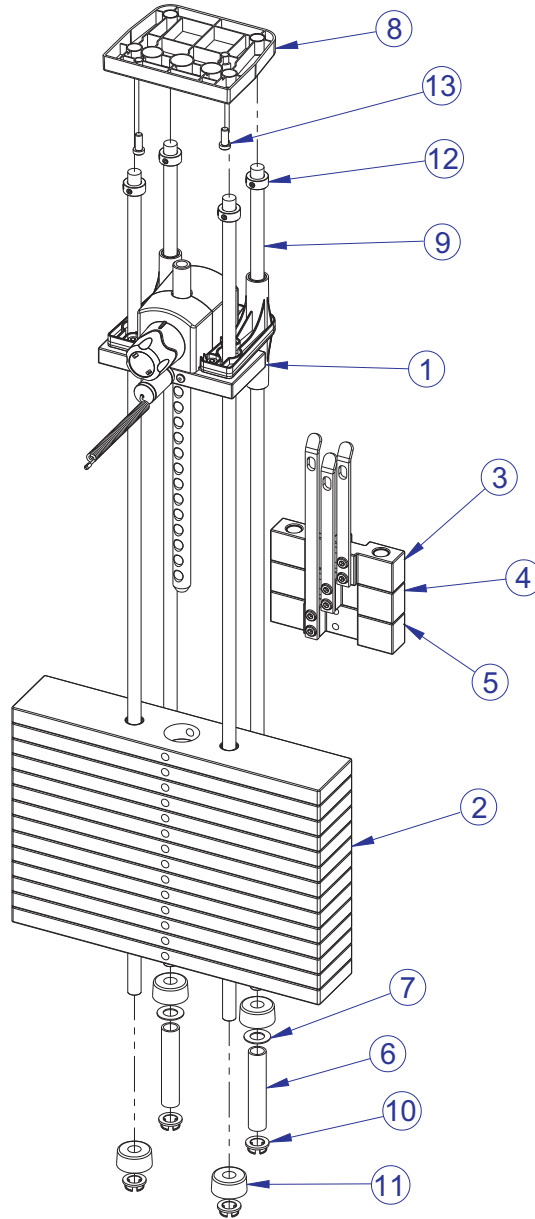
ROSEWOOD		ITEM NO.	QTY.	PART NO.	DESCRIPTION
		1	1	8954601	SHROUD, FZ, FNT, SRT, LT -ROSEWOOD
		2	1	8949901	SHROUD, FZ, REAR, SRT -ROSEWOOD
		3	1	8949801	SHROUD, FZ, FNT, SRT, RT -ROSEWOOD

STAINLESS STEEL		ITEM NO.	QTY.	PART NO.	DESCRIPTION
		1	1	8954701	SHROUD, FZ, FNT, SRT, LT -STAINLESS STEEL
		2	1	8950101	SHROUD, FZ, REAR, SRT -STAINLESS STEEL
		3	1	8950001	SHROUD, FZ, FNT, SRT, RT-STAINLESS STEEL

FZBE BACK EXTENSION MID-14 WEIGHT STACK ASSEMBLY - 7420101

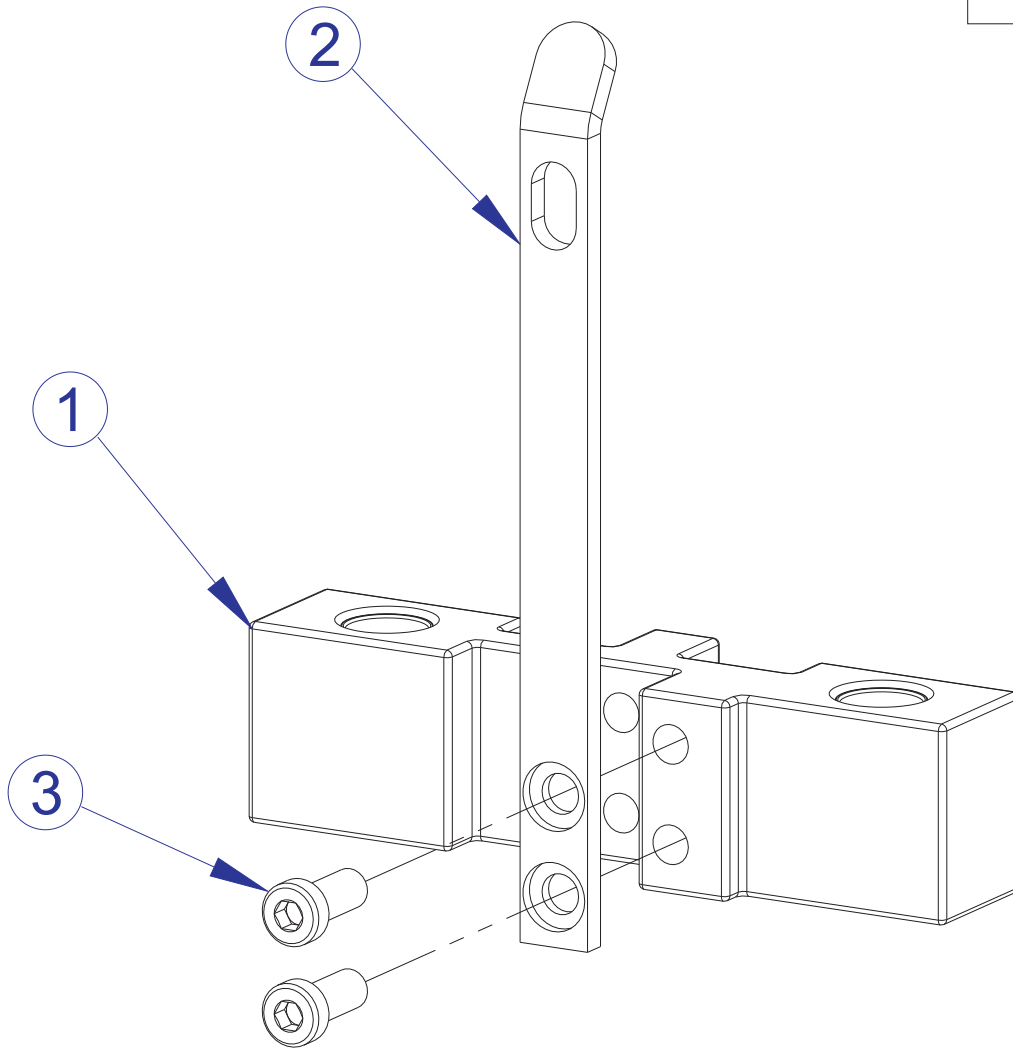
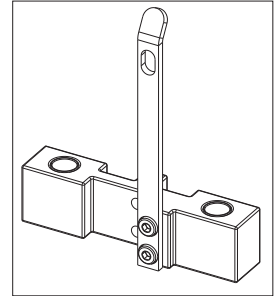
WEIGHT STACK LABELS

7927201	LABEL, 390 LB STACK
7927301	LABEL, 195 KG STACK



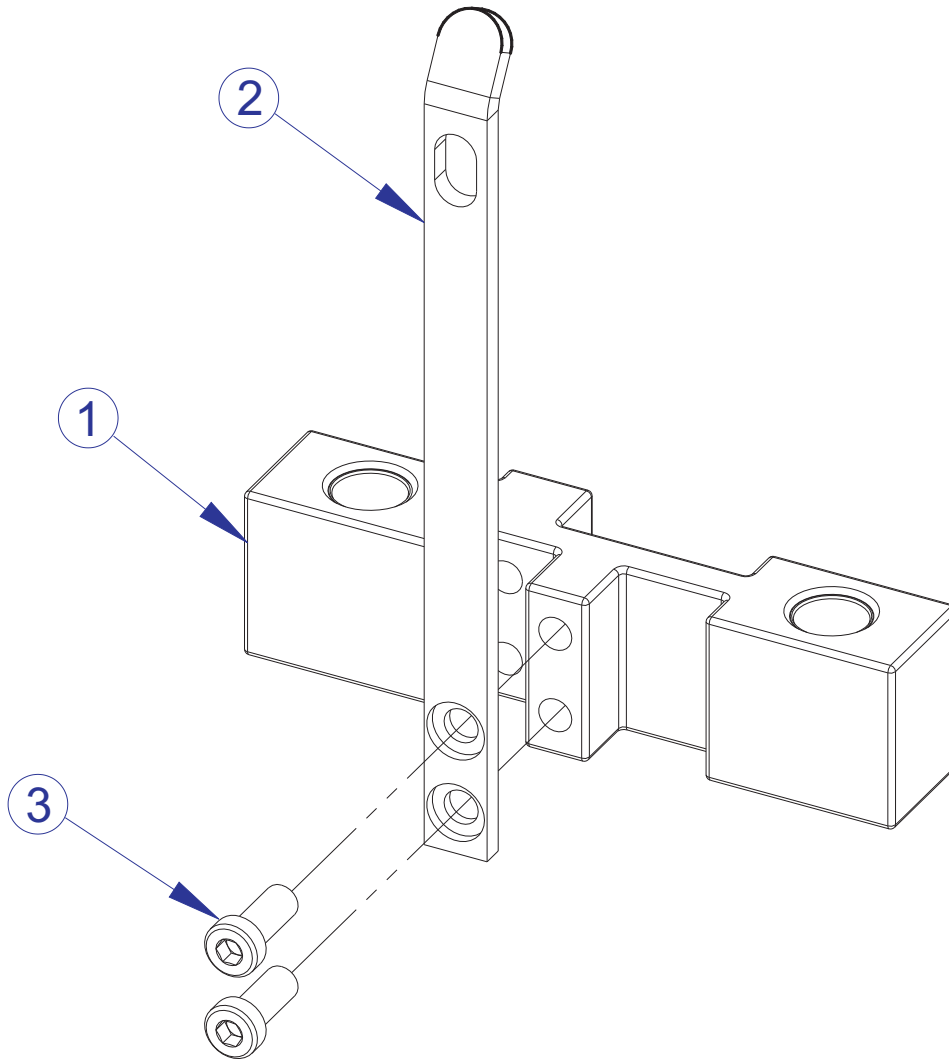
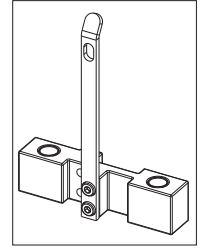
ITEM NO.	QTY.	PART NO.	DESCRIPTION
1	1	7350701	ASSY, HEAD PLATE (14)
2	14	7328401	WEIGHT PLATE, 20 LB
3	1	7327601	ASSY, INCREMENT WT-5LB
4	1	7327701	ASSY, INCREMENT WT-10LB
5	1	7327801	ASSY, INCREMENT WT-15LB
6	2	7328701	SPACER, INC WT STACK 14 PLT
7	2	7351001	SPACER, INC WT STACK
8	1	7621101	RETAINER, GUIDE ROD-TOP
9	4	7328602	GUIDE ROD, .75 OD SOLID X 53.50
10	4	7337901	BUSHING, GUIDE ROD
11	4	7352101	CUSHION, WEIGHT STACK
12	4	3103301	SHAFT COLLAR, 3/4" ID ZINC
13	2	3236202	M10 X 1.5 X 25 HXS SOC CS SS

FZBE BACK EXTENSION 5 LB. INCREMENT WEIGHT ASSEMBLY - 7327601



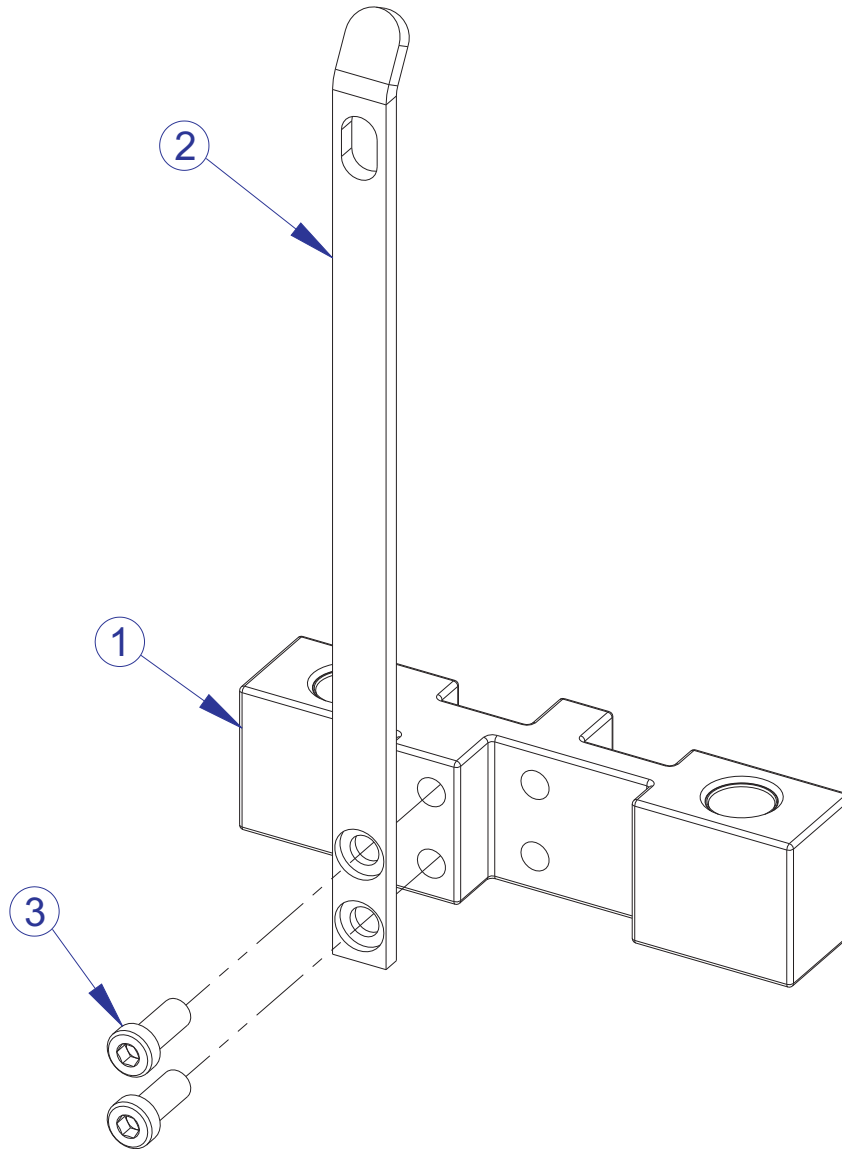
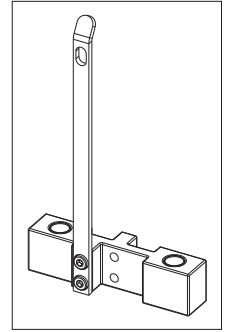
ITEM NO.	QTY.	PART NO.	DESCRIPTION
1	1	7968501	ASSY, FZ INC WEIGHT 5LB
2	1	7328001	BRKT, INCREMENT WT - 5 LB
3	2	3236202	SCREW, M10 X1.5 25MM

FZBE BACK EXTENSION 10 LB. INCREMENT WEIGHT ASSEMBLY - 7327701



ITEM NO.	QTY.	PART NO.	DESCRIPTION
1	1	7968501	ASSY, FZ INC WEIGHT 5LB
2	1	7328101	BRKT, INCREMENT WT - 10 LB
3	2	3236202	SCREW, M10 X1.5 25MM

FZBE BACK EXTENSION 15 LB. INCREMENT WEIGHT ASSEMBLY - 7327801

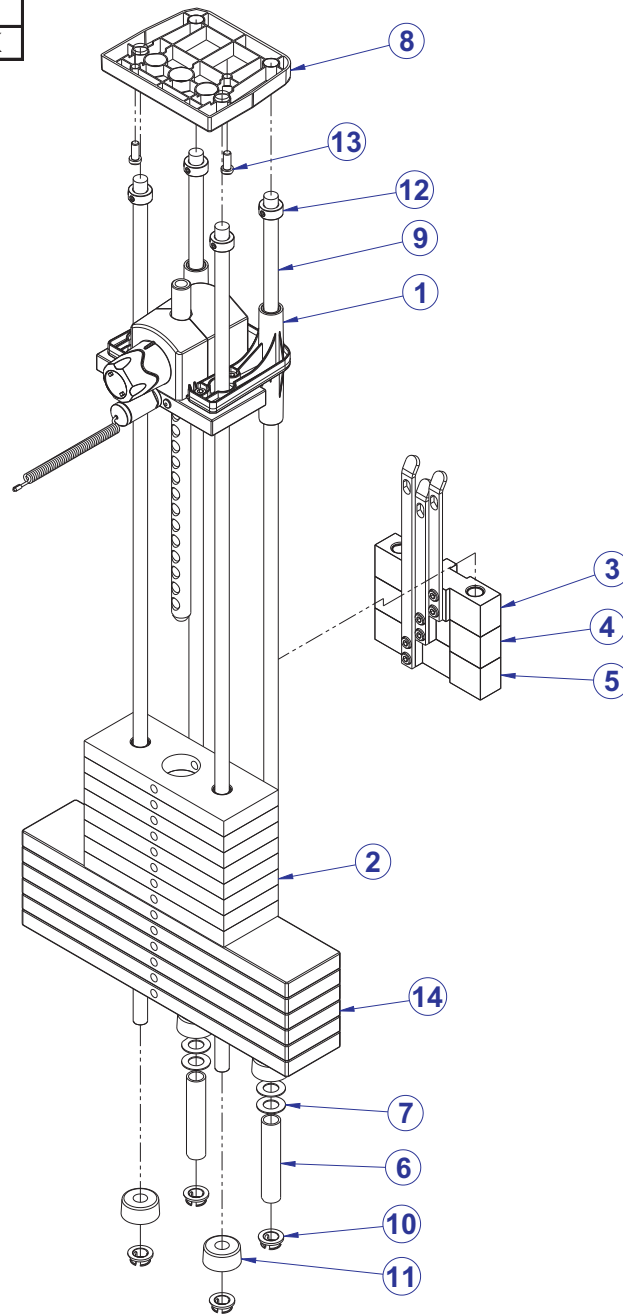


ITEM NO.	QTY.	PART NO.	DESCRIPTION
1	1	7968501	ASSY, FZ INC WEIGHT 5LB
2	1	7328201	BRKT, INCREMENT WT - 15 LB
3	2	3236202	SCREW, M10 X1.5 25MM

FZBE BACK EXTENSION

OPTIONAL LIGHT MID-14 WEIGHT STACK ASSY. - 8866201

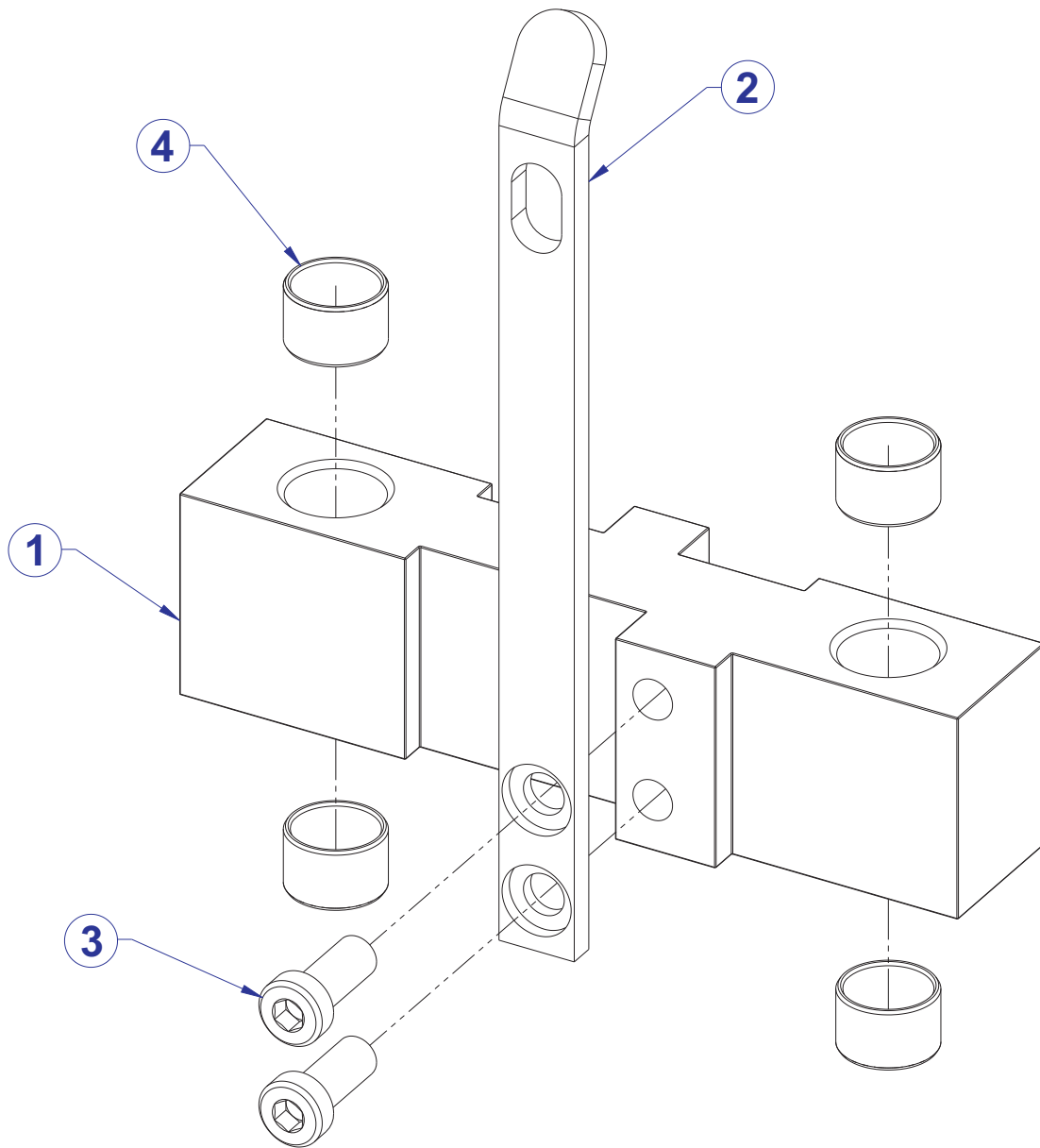
WEIGHT STACK LABELS	
8867001	LABEL, 310 LB STACK



ITEM NO.	QTY.	PART NO.	DESCRIPTION
1	1	7350701	ASSY, HEAD PLATE (14)
2	8	7353701	ASSY, 10 LB PLATE
3	1	8861301	ASSY, FZ INC WEIGHT - 2.5 LB
4	1	8861401	ASSY, FZ INC WEIGHT - 5 LB
5	1	8861501	ASSY, FZ INC WEIGHT - 7.5 LB
6	2	7328701	SPACER, INC WT STACK - 14 PLT
7	4	7351001	SPACER, INC WT STACK
8	1	7621101	RETAINER, GUIDE ROD - TOP
9	4	7328602	GUIDE ROD, .75 OD SOLID 53.50
10	4	7337901	BUSHING, GUIDE ROD
11	4	7352101	CUSHION, WEIGHT STACK
12	4	3103301	SHAFT COLLAR, 3/4 I.D. ZINC
13	2	3236202	SCREW, M10 X1.5 25MM
14	6	7328401	WEIGHT PLATE, 20 LB

FZBE BACK EXTENSION

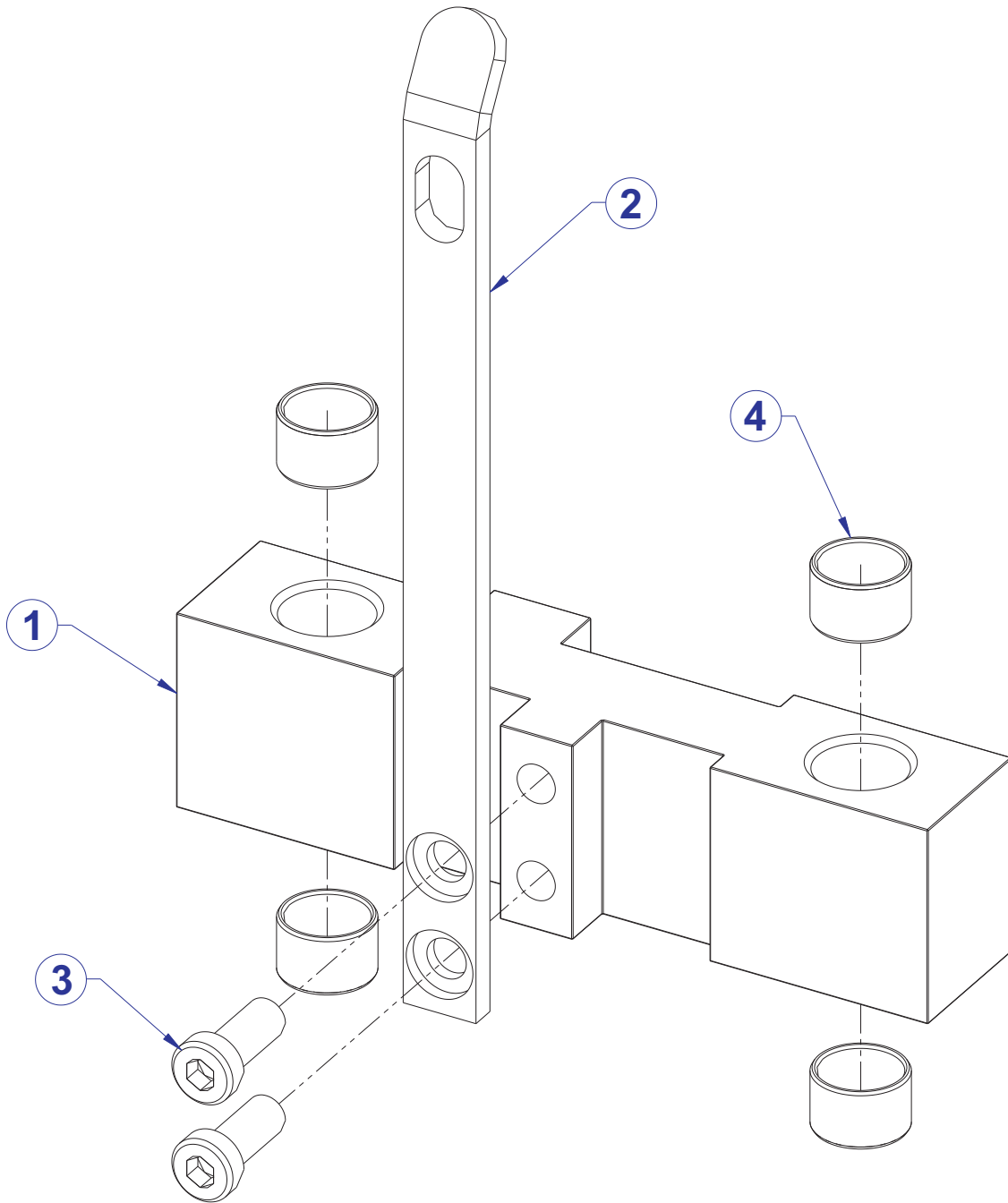
OPTIONAL 2.5 LB. INCREMENT WEIGHT ASSY. - 8861301



ITEM NO.	QTY.	PART NO.	DESCRIPTION
1	1	8861295	INCREMENT WEIGHT, FZ OPTIONAL - SG
2	1	7328001	BRKT, INCREMENT WT - 5 LB
3	2	3236202	SCREW, M10 X1.5 25MM
4	4	3202501	BEARING, SLEEVE 20 ID X 23.00 X 15 MM

FZBE BACK EXTENSION

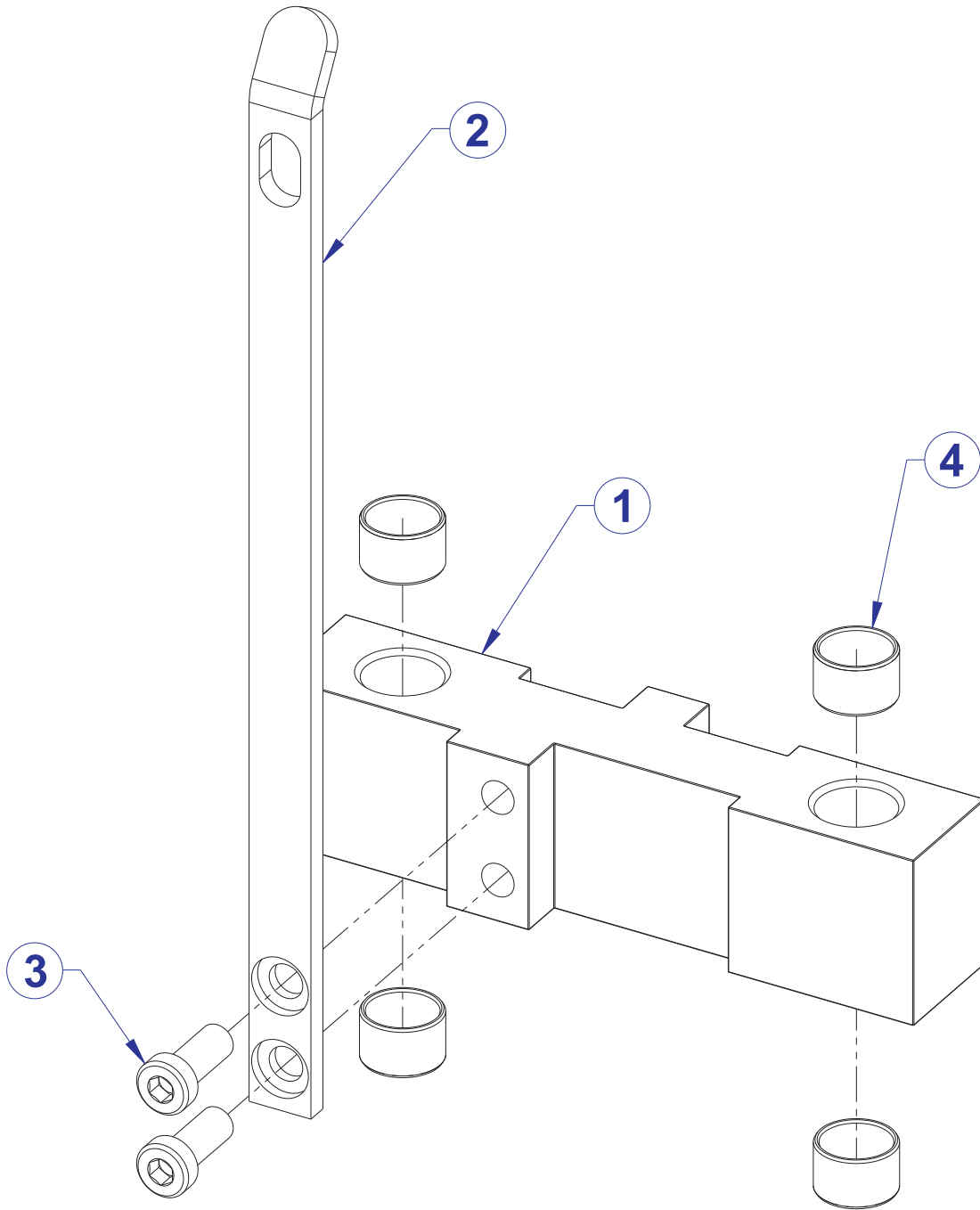
OPTIONAL 5 LB. INCREMENT WEIGHT ASSY. - 8861401



ITEM NO.	QTY.	PART NO.	DESCRIPTION
1	1	8861295	INCREMENT WEIGHT, FZ OPTIONAL - SG
2	1	7328101	BRKT, INCREMENT WT - 10 LB
3	2	3236202	SCREW, M10 X1.5 25MM
4	4	3202501	BEARING, SLEEVE 20 ID X 23.00 X 15 MM

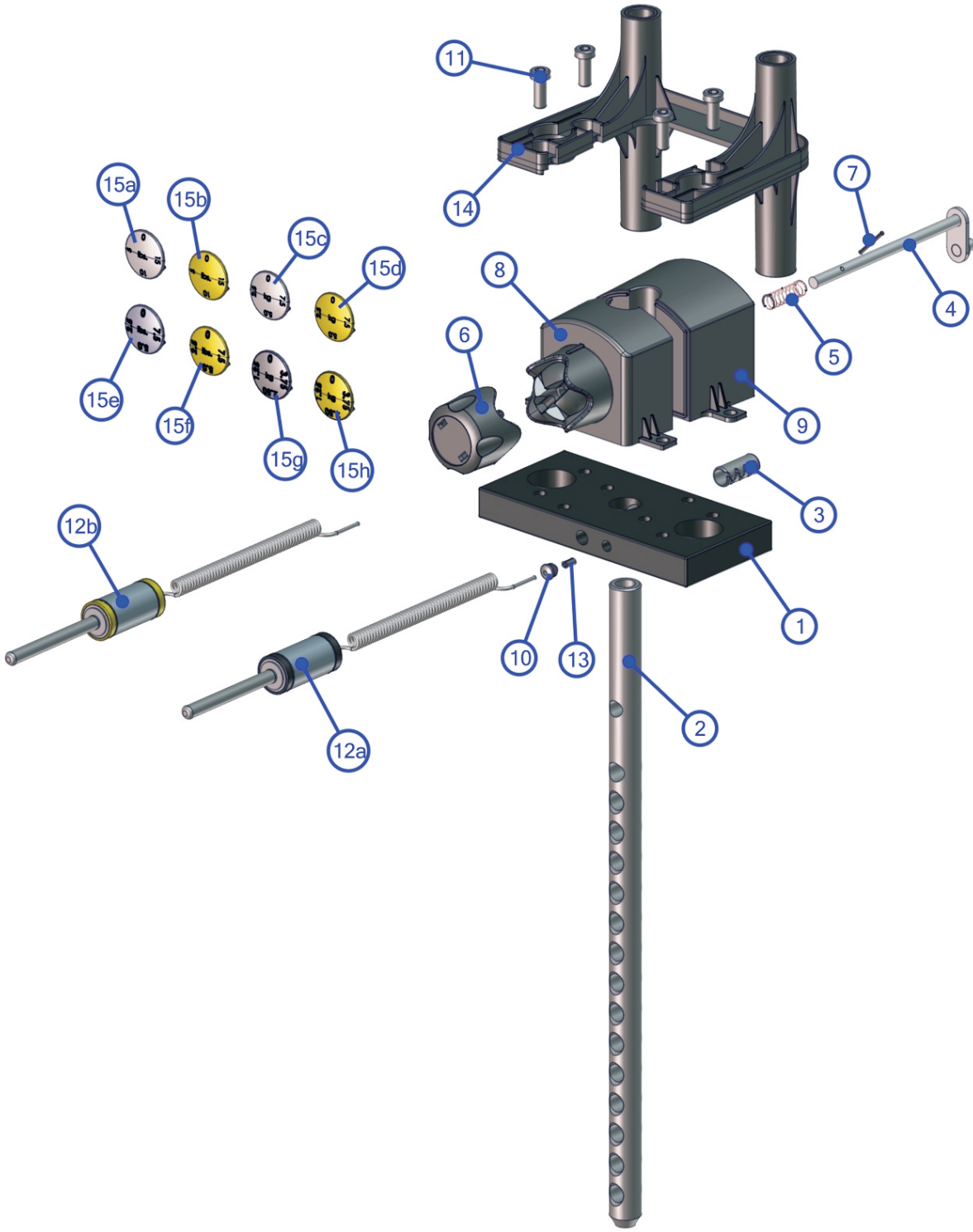
FZBE BACK EXTENSION

OPTIONAL 7.5 LB. INCREMENT WEIGHT ASSY. - 8861501



ITEM NO.	QTY.	PART NO.	DESCRIPTION
1	1	8861295	INCREMENT WEIGHT, FZ OPTIONAL - SG
2	1	7328201	BRKT, INCREMENT WT - 15 LB
3	2	3236202	SCREW, M10 X1.5 25MM
4	4	3202501	BEARING, SLEEVE 20 ID X 23.00 X 15 MM

FZBE BACK EXTENSION HEAD PLATE ASSEMBLY - 7350701



SEE PAGE 20 FOR LEGEND

FZBE BACK EXTENSION HEAD PLATE ASSEMBLY LEGEND

ITEM NO.	QTY.	PART NO.	DESCRIPTION	WHERE USED	
1	1	7326701	HEAD PLATE	-	
2	1	7328901	STEM, 14 PLATE	-	
3	1	3236001	BUSHING, SPRING PIN	-	
4	1	7327201	WLDMT, INCREMENT WT PIN	-	
5	1	8024501	SPRING, 1/2 OD X 1-1/2	-	
6	1	7326101	KNOB, INC WT SELECTOR	-	
7*	1	3110008	ROLL PIN, 1/8 X 1-1/4	-	
8*	1	7326401	HOUSING, SELECTOR - FRONT	-	
9*	1	7326501	HOUSING, SELECTOR - REAR	-	
10	1	7356501	PLUG, LANYARD ATTACHMENT	-	
11	4	3236202	SCREW, M10 X1.5 25MM	-	
12**	a	1	7338101	ASSY, WT STACK SELECTOR PIN-SILVER	-
	b		7338103	ASSY, WT STACK SELECTOR PIN-YELLOW	-
13	1	7523601	CRIMP, CABLE	-	
14	1	8867301	ASSY, FZ, STABILIZER WITH BUSHINGS	-	
15**	a	1	7398601	CAP, SELECTOR KNOB - 5 LBS, SILVER	REG. STACK / LBS.
	b		7398603	CAP, FZ SELECTOR KNOB - 5 LBS, YELLOW	REG. STACK / LBS.
	c		7398701	CAP, FZ SELECTOR KNOB - 2.5 KG, SILVER	REG. STACK / KG.
	d		7398703	CAP, FZ SELECTOR KNOB - 2.5 KG, YELLOW	REG. STACK / KG.
	e		8865801	CAP, FZ SELECTOR KNOB - 2.5 LBS, SILVER	LIGHT STACK / LBS.
	f		8865803	CAP, FZ SELECTOR KNOB - 2.5 LBS, YELLOW	LIGHT STACK / LBS.
	g		8946501	CAP, FZ SELECTOR KNOB - 1.25 KG, SILVER	LIGHT STACK / KG.
	h		8946503	CAP, FZ SELECTOR KNOB - 1.25 KG, YELLOW	LIGHT STACK / KG.

* Kit exists for component set. See bulletin FZ02012701N

** Language specific/Weight stack item. Order separately-not part of assembly.

FZBE BACK EXTENSION IMAGE

