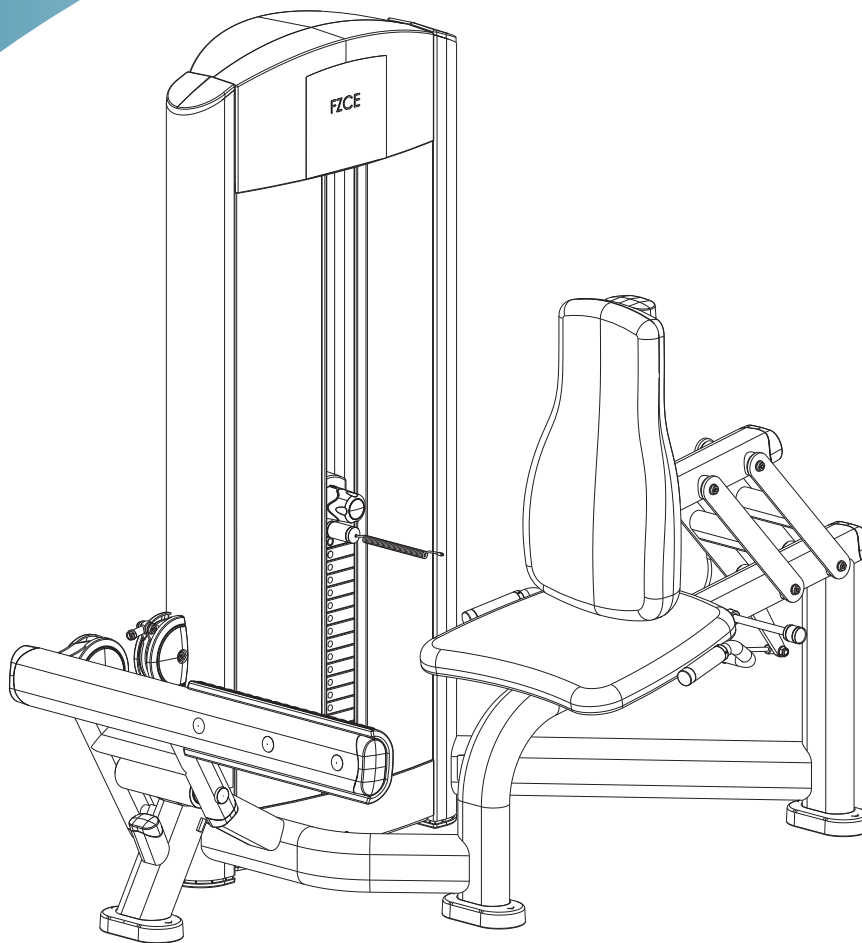


# Signature Series Single Station Calf Extension

FZCE

## Parts List



*LifeFitness*  
WHAT WE LIVE FOR

# FZCE CALF EXTENSION CONTENTS

---

FRAME AND UPHOLSTERY COLORS..... 3

SHROUD OPTIONS..... 4

COMPONENT ASSEMBLY..... 5

COMPONENT ASSEMBLY II..... 6

COMPONENT ASSEMBLY LEGEND..... 7

MID-19 TOWER ASSEMBLY..... 8

PLASTIC TOWER ASSEMBLY..... 9

OPTIONAL WRAPPED SHROUDS..... 10

MID-19 WEIGHT STACK ASSEMBLY..... 11

5 LB. INCREMENT WEIGHT ASSEMBLY..... 12

10 LB. INCREMENT WEIGHT ASSEMBLY..... 13

15 LB. INCREMENT WEIGHT ASSEMBLY..... 14

OPTIONAL MID-19 LIGHT WEIGHT STACK ASSEMBLY..... 15

OPTIONAL 2.5 LB. INCREMENT WEIGHT ASSEMBLY..... 16

OPTIONAL 5 LB. INCREMENT WEIGHT ASSEMBLY..... 17

OPTIONAL 7.5 LB. INCREMENT WEIGHT ASSEMBLY..... 18

HEAD PLATE ASSEMBLY..... 19

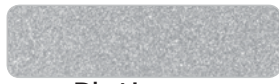
HEAD PLATE ASSEMBLY LEGEND..... 20

IMAGE..... 21

# FZCE CALF EXTENSION FRAME AND UPHOLSTERY COLORS

---

## Strength Frame Colors



Platinum



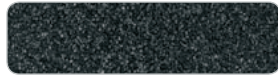
White



Black



Ice Blue Metallic



Midnight Metallic



Nickel



Blue



Red



Yellow



Candy Apple Red

Note: Include frame color in pick-slip notes when ordering frame assemblies or weldments.

## Strength Upholstery Colors



American Beauty Red 07



Azure 20



Black 01



Cranberry 04



Graphite 22



Hunter Green 13



Regimental Blue 14



Royal Blue 02



Slate 03



Wheat 21



Burgundy 29



Candy Apple Red 28



Chestnut 34



Concord 16



Crocus 19



Dove Gray 37



Emerald 27



Grotto 25



Gun Metal 39



Imperial Blue 33



Jade 26



Navy 32



Northwoods Green 05



Paprika 35



Plum 30



Putty 38



Space Blue 06



Suede 08



Terra Cotta 36



Turquoise 17

Note: Replace XX with above color suffix when ordering pads (ie. 74123XX = 7412301 Black)  
Use 99 suffix for custom upholstery.

# FZCE CALF EXTENSION SHROUD OPTIONS

## STANDARD SHROUD NO WRAP



TRANSLUCENT

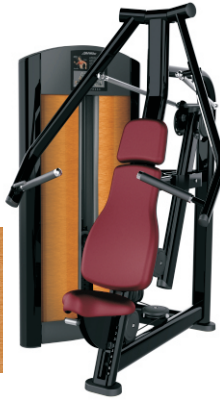


## OPTIONAL StackWraps™ SHROUD + WRAP

BAMBOO



BRONZE



ROSEWOOD



SKY



STAINLESS STEEL



STEM



## CO-BRANDED StackWraps™ SHROUD + WRAP

SHROUD + WRAP

(refer to co-branded parts list)



PLANET FITNESS

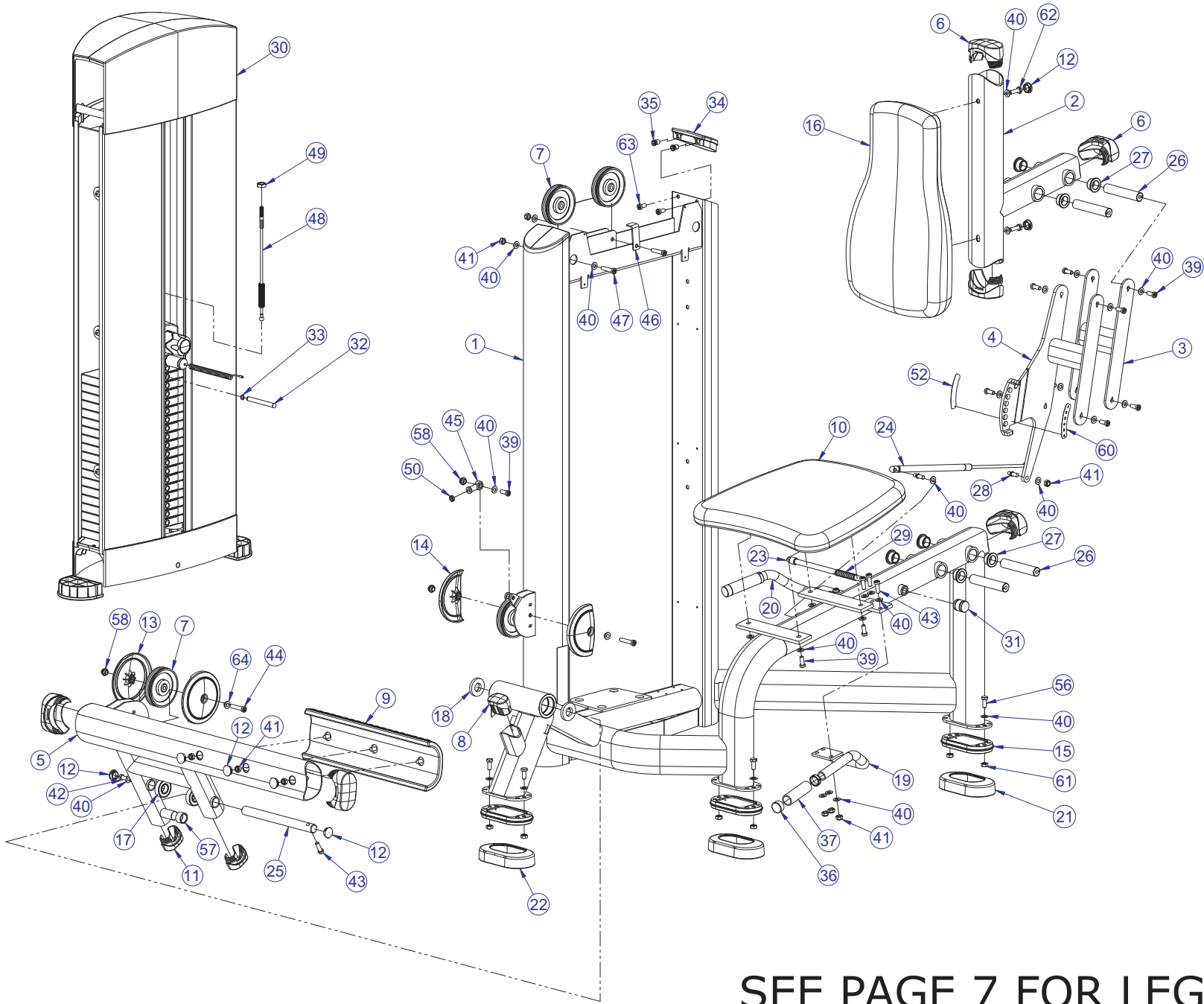


BLINK FITNESS



RETRO FITNESS

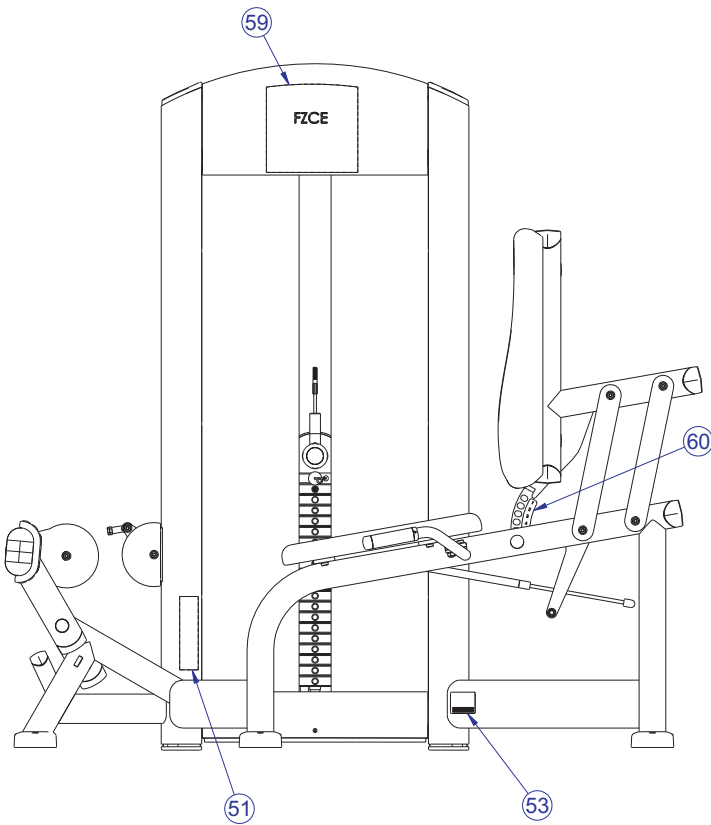
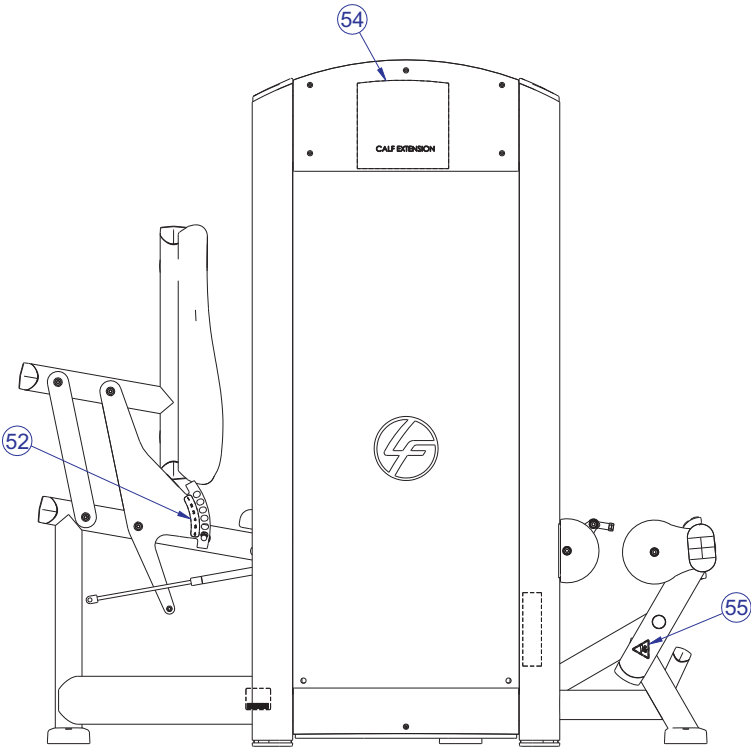
# FZCE CALF EXTENSION COMPONENT ASSEMBLY



SEE PAGE 7 FOR LEGEND

# FZCE CALF EXTENSION COMPONENT ASSEMBLY II

---



SEE PAGE 7 FOR LEGEND

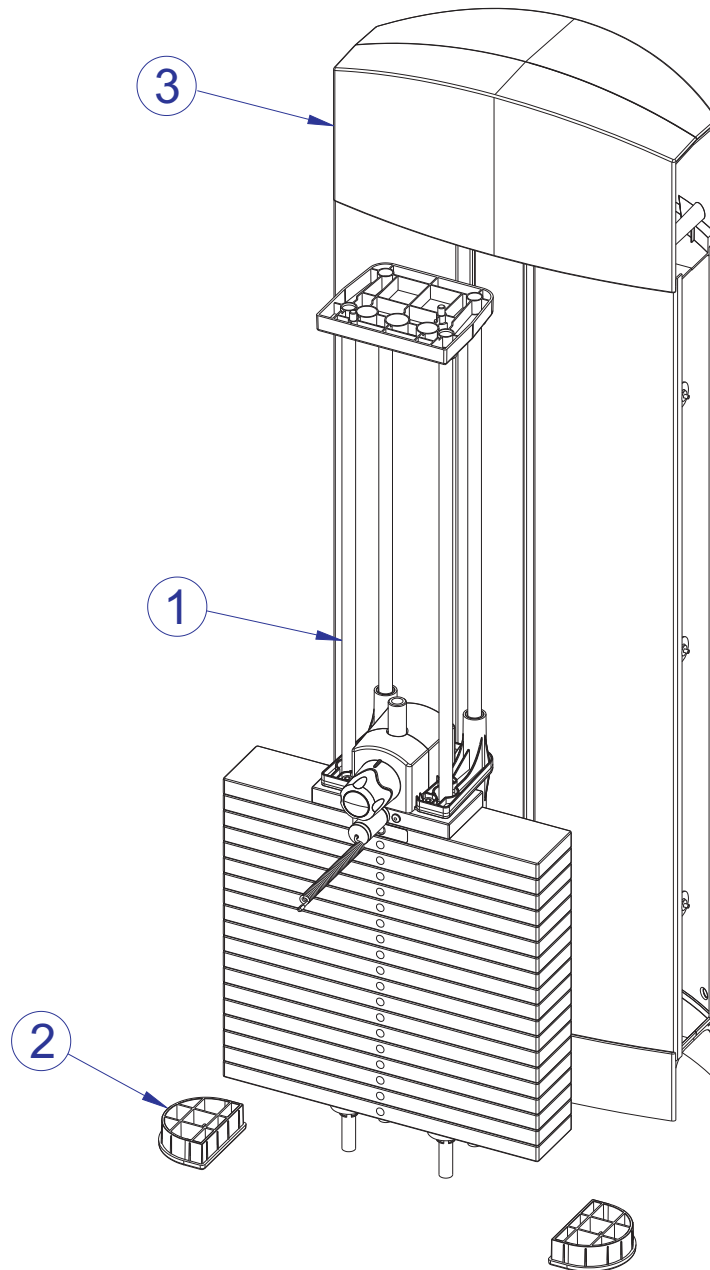
# FZCE CALF EXTENSION COMPONENT ASSEMBLY LEGEND

ITEM NO.	QTY.	PART NO.	DESCRIPTION
1	1		WLDMT,FZCE, FRAME
2	1	7410901	WLDMT, FZ, BACK PAD SPRT
3	1	7411001	WLDMT, FZ, 4-BAR
4	1	8467501	WLDMT, FZCE, 4-BAR INDEX
5	1	7484801	WLDMT,FZCE, FOOT PIVOT
6	6	7333901	CAP, LARGE FLOV- END
7	4	3237801	PULLEY, 4.5" OD
8	1	7317901	STOP, BUMPER
9	1	7523701	FOOTPLATE, OVERMOLDED
10	1	74015XX	PAD, SEAT LE/SLC
11	2	7333801	CAP, SMALL FLOV- END
12	7	3237403	PLUG, 1" HOLE
13	2	8104501	COVER, PULLEY-BOLTED NOTCHED
14	2	8094101	COVER, PULLEY-BOLTED PARTIAL
15	3	7334001	FOOT, 2.50 X 4.49 FLOV
16	1	74741XX	PAD, LARGE BACK
17	2	3235601	BEARING, 6205 BALL
18	2	7568901	SPACER,FZCE
19	1	7517401	WLDMT, FZ, HANDLE LEFT
20	1	7517501	WLDMT, FZ, HANDLE RIGHT
21	2	7340201	COVER, FOOT - STRAIGHT
22	1	7419601	COVER, FOOT-20 DEG.
23	1	7351303	PIN, PULL X 12.38
24	1	3235701	SPRING, GAS 150N
25	1	7569101	FZCE-SHAFT
26	4	7324902	SHAFT, TAPPED 1 DIA X 5.330
27	8	3104903	1.00" ID 1.25" OD BRONZ BUSHING
28	2	7414301	STUD, M10 BALL END M10 X 1.5
29	1	7351501	SPRING, PULL PIN LARGE
30	1	7512101	ASSY, MID TOWER-19
31	1	7424801	KNOB, POP PIN, SHADOW GRAY
		7424803	KNOB, POP PIN, YELLOW

32	1	7564501	PIN, FZ/PS, WEIGHT PLATE
33	1	3243901	RING, BRE M11, ST, PP
34	2	7326201	CAP, D-TUBE - TOP
35	4	3238601	M10X1.5 BLIND THREADED INSERT (HEX)
36	2	7662901	CAP, GRIP 1.25 OD
37	2	3235801	GRIP, 1.25" OD X 4" FZLE, FZSLC, FZCE
38	2	7662801	RING, GRIP 1.25 OD
39	13	3236202	SCREW, M10 X1.5 25MM
40	40	3236601	WASHER, 3/8 SAE SS
41	12	3236801	NUT, M10 HEX NYLOCK SS
42	1	3236204	SCREW, M10 X1.5 35MM
43	7	3236203	SCREW, M10 X1.5 30MM
44	2	3236207	SCREW, M10 X1.5 50MM
45	1	3237901	ROD END, METRIC FEMALE
46	1	6757701	CLIP, CABLE 2-7/8 X 1 X 1
47	2	3236206	SCREW, M10 X1.5 45MM
48	1	7423613	CABLE, FZCE 107
49	1	3236902	NUT, M16 X 2 HEX JAM SS
50	1	3236901	NUT, M10 X 1.5 JAM
51	1	7422004	LABEL, 2" ASTM WARN
52	1	8508301	LABEL, 1-6 CURVED OUTSIDE
53	1	7571301	LABEL, SERIAL NUMBER, BLANK
54	1	7602801	LABEL, FZCE LOGO
55	1	8039501	LABEL, WARNING, TRIANGLE
56	6	3251202	SCREW, M10 X1.5 X 25MM UNS HEX CS ST ZN
57	1	7690101	BUMPER, SLEEVE - 1 INCH DIA
58	3	7335401	NUT, M10 X 1.5 SOCKET HEAD
59	1	7602701	LABEL, FZCE PLACARD
60	1	8508201	LABEL, 1-6 CURVED INSIDE
61	6	3254703	NUT, M10 X 1.5 HEX ZINC
62	2	3251204	SCREW, M10 X1.5 X 35MM UNS HEX CS ST ZN
63	4	3236201	SCREW, M10 X1.5 20MM
64	2	7630101	RETAINER, CM/MJ, PULLEY

# FZCE CALF EXTENSION MID-19 TOWER ASSEMBLY - 7512101

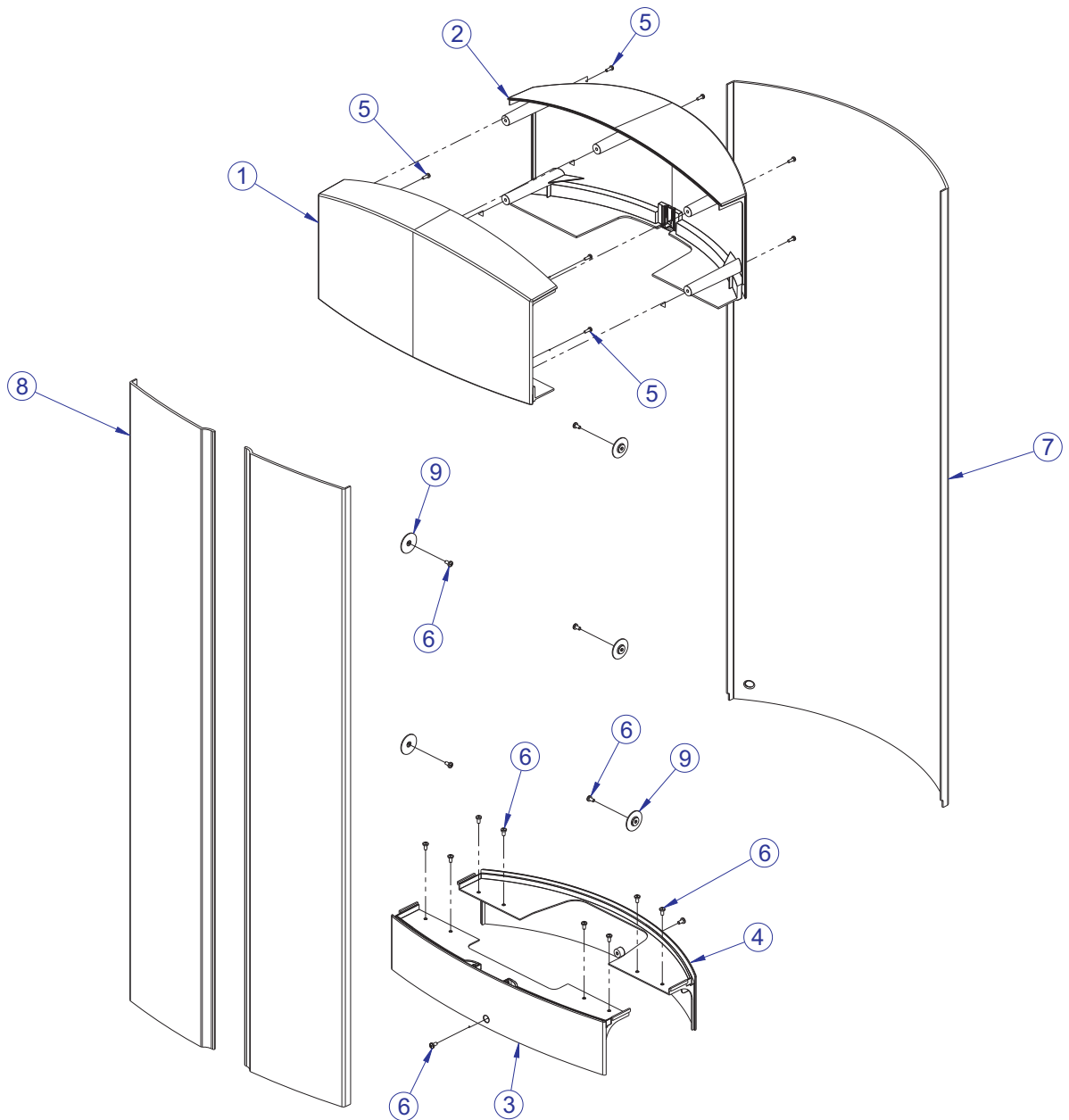
---



ITEM NO.	QTY.	PART NO.	DESCRIPTION
1	1	7512001	ASSY, WEIGHT STACK MID-19
2	2	7326301	CAP, D-TUBE - BOTTOM
3	1	7419801	ASSY, TOWER PLASTICS - MID

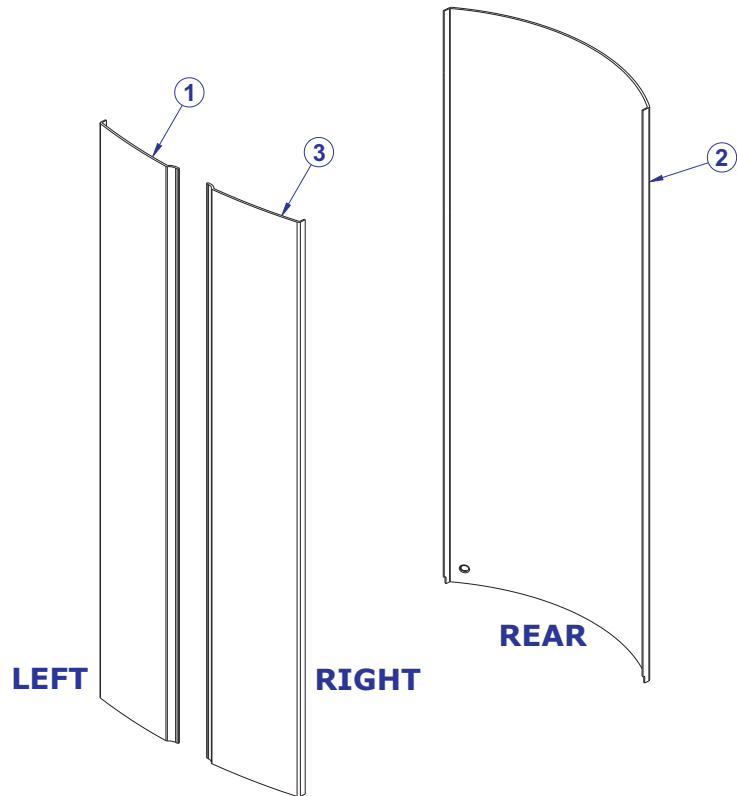



# FZCE CALF EXTENSION PLASTIC TOWER ASSEMBLY - 7419801





ITEM NO.	QTY.	PART NO.	DESCRIPTION
1	1	7318601	COVER, TOWER- TOP FRONT
2	1	7318701	COVER, TOWER- TOP REAR
3	1	7318801	COVER, TOWER- BOTTOM FRONT
4	1	7318901	COVER, TOWER- BOTTOM REAR
5	9	3236501	M4 X 0.7 PHL PAN MS ST ZN
6	16	3239101	SCREW, M5X10 PHL PAN TT ST
7	1	7765701	SHROUD, TOWER- REAR SHORT
8	2	7765601	SHROUD, TOWER- FRT SHORT RH
9	6	7583501	RETAINER, FZ SHROUD


# FZCE CALF EXTENSION OPTIONAL WRAPPED SHROUDS





BAMBOO		ITEM NO.	QTY.	PART NO.	DESCRIPTION
		1	1	8954201	SHROUD, FZ, FNT, SRT, LT -BAMBOO
		2	1	8949101	SHROUD, FZ, REAR, SRT -BAMBOO
		3	1	8949001	SHROUD, FZ, FNT, SRT, RT -BAMBOO

SKY		ITEM NO.	QTY.	PART NO.	DESCRIPTION
		1	1	8954301	SHROUD, FZ, FNT, SRT, LT -SKY
		2	1	8949301	SHROUD, FZ, REAR, SRT -SKY
		3	1	8949201	SHROUD, FZ, FNT, SRT, RT -SKY

BRONZE		ITEM NO.	QTY.	PART NO.	DESCRIPTION
		1	1	8954401	SHROUD, FZ, FNT, LT - BRONZE
		2	1	8949501	SHROUD, FZ, REAR -BRONZE
		3	1	8949401	SHROUD, FZ, FNT, SRT, RT -BRONZE

STEM		ITEM NO.	QTY.	PART NO.	DESCRIPTION
		1	1	8954501	SHROUD, FZ, FNT, SRT, LT -STEM
		2	1	8949701	SHROUD, FZ, REAR, SRT -STEM
		3	1	8949601	SHROUD, FZ, FNT, SRT, RT -STEM

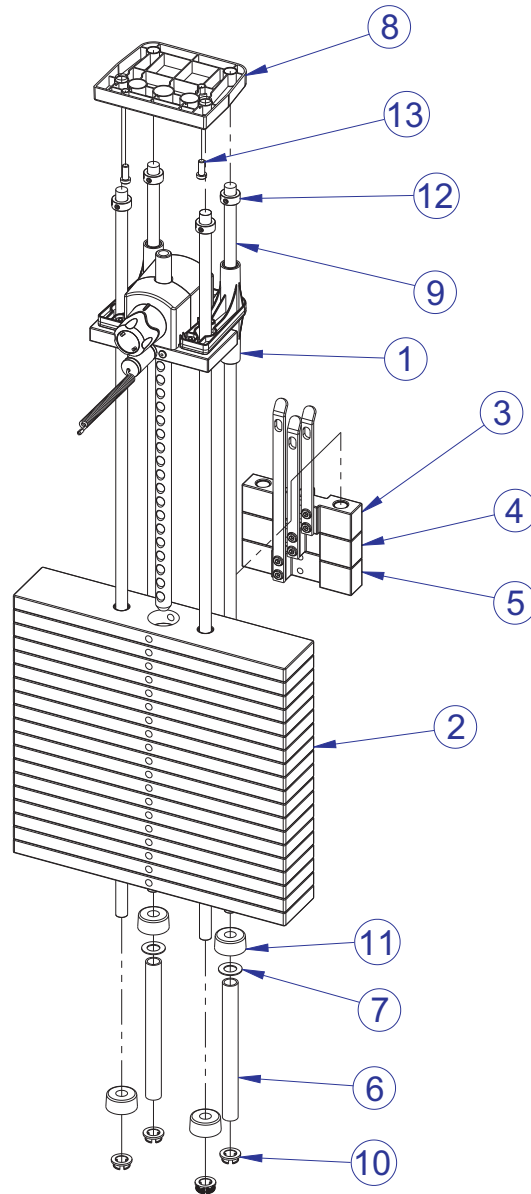
ROSEWOOD		ITEM NO.	QTY.	PART NO.	DESCRIPTION
		1	1	8954601	SHROUD, FZ, FNT, SRT, LT -ROSEWOOD
		2	1	8949901	SHROUD, FZ, REAR, SRT -ROSEWOOD
		3	1	8949801	SHROUD, FZ, FNT, SRT, RT -ROSEWOOD

STAINLESS STEEL		ITEM NO.	QTY.	PART NO.	DESCRIPTION
		1	1	8954701	SHROUD, FZ, FNT, SRT, LT -STAINLESS STEEL
		2	1	8950101	SHROUD, FZ, REAR, SRT -STAINLESS STEEL
		3	1	8950001	SHROUD, FZ, FNT, SRT, RT-STAINLESS STEEL

# FZCE CALF EXTENSION MID-19 WEIGHT STACK ASSEMBLY - 7512001

## Weight Stack Labels

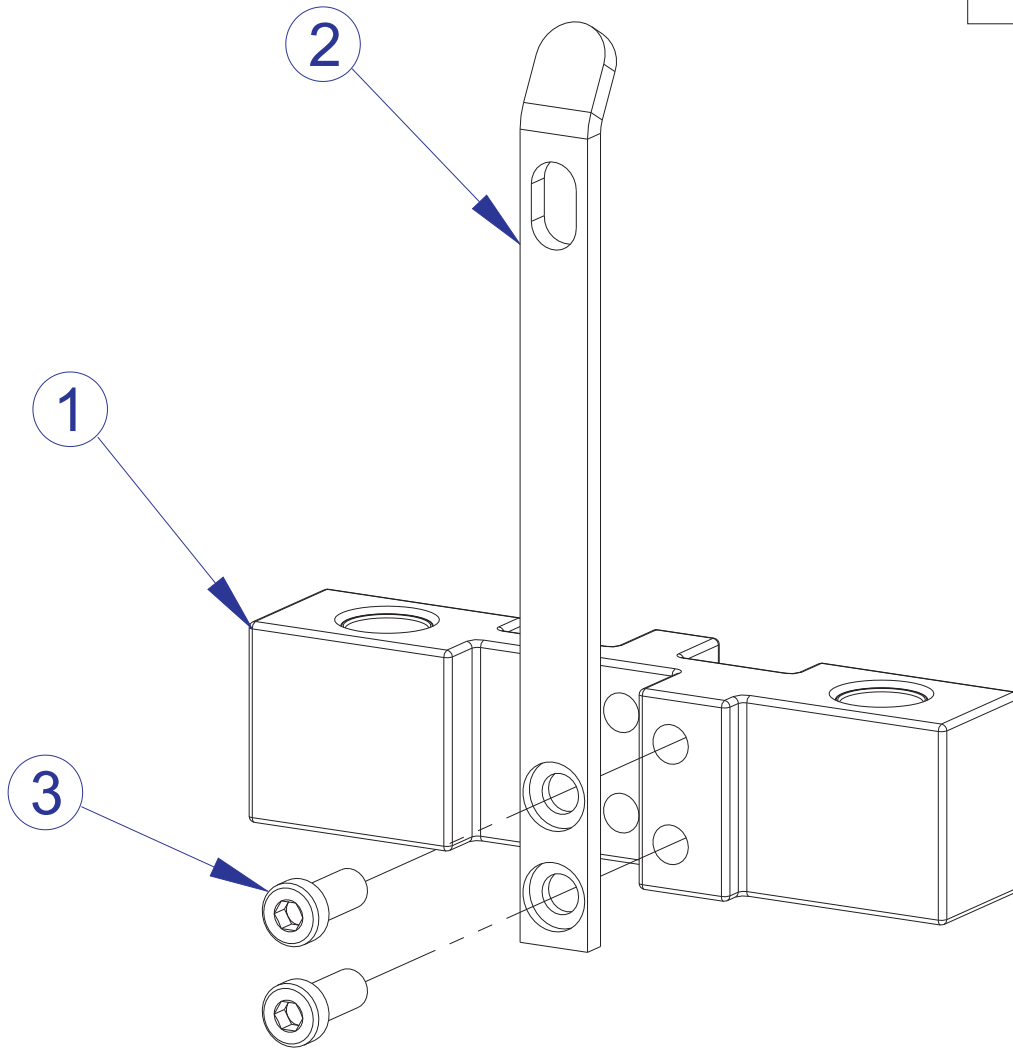
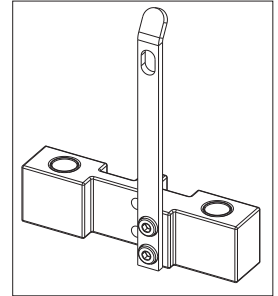
7927201	LABEL, 390 LB STACK
7927301	LABEL, 195 KG STACK



ITEM NO.	QTY.	PART NO.	DESCRIPTION
1	1	7350801	ASSY, HEAD PLATE (19)
2	19	7328401	WEIGHT PLATE, 20 LB
3	1	7327601	ASSY, INCREMENT WT - 5LB
4	1	7327701	ASSY, INCREMENT WT - 10LB
5	1	7327801	ASSY, INCREMENT WT - 15LB
6	2	7328702	SPACER, INC WT STACK - 19 PLT
7	2	7351001	SPACER, INC WT STACK
8	1	7621101	RETAINER, GUIDE ROD - TOP
9	4	7328602	GUIDE ROD, .75 OD SOLID 53.50
10	4	7337901	BUSHING, GUIDE ROD
11	4	7352101	CUSHION, WEIGHT STACK
12	4	3103301	SHAFT COLLAR, 3/4 I.D. ZINC
13	2	3236202	SCREW, M10 X1.5 25MM

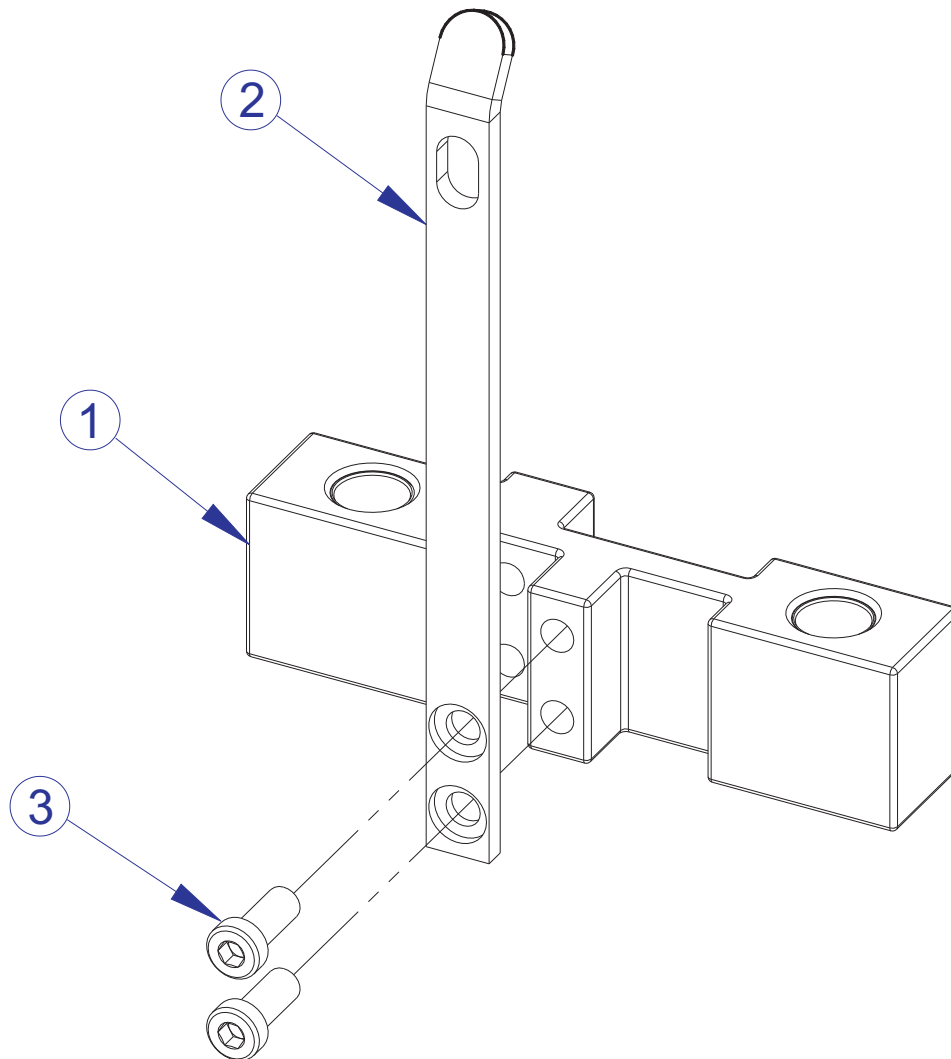
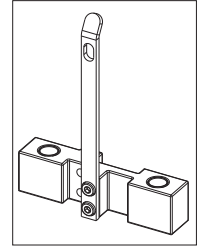
# FZCE CALF EXTENSION

## 5 LB. INCREMENT WEIGHT ASSEMBLY - 7327601



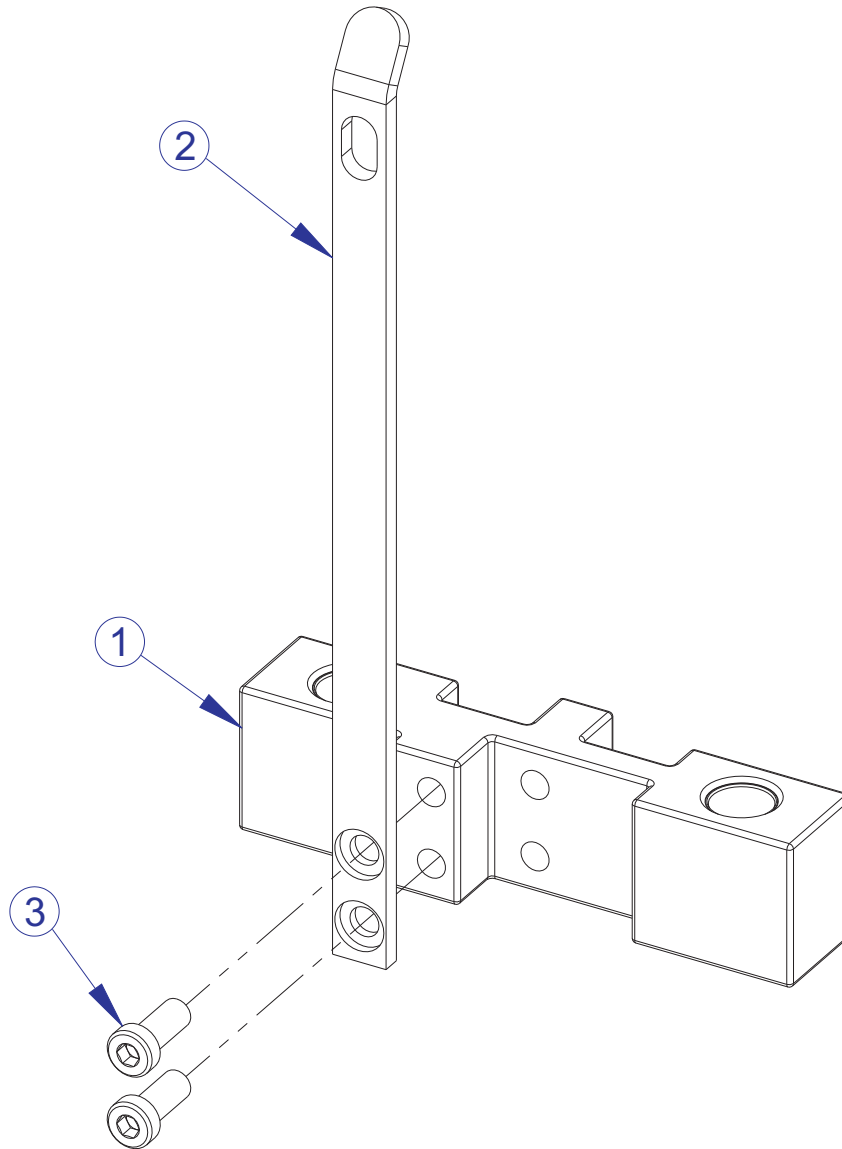
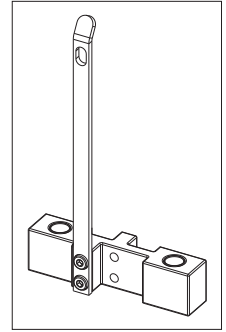
ITEM NO.	QTY.	PART NO.	DESCRIPTION
1	1	7968501	ASSY, FZ INC WEIGHT 5LB
2	1	7328001	BRKT, INCREMENT WT - 5 LB
3	2	3236202	SCREW, M10 X1.5 25MM

# FZCE CALF EXTENSION 10 LB. INCREMENT WEIGHT ASSEMBLY - 7327701



ITEM NO.	QTY.	PART NO.	DESCRIPTION
1	1	7968501	ASSY, FZ INC WEIGHT 5LB
2	1	7328101	BRKT, INCREMENT WT - 10 LB
3	2	3236202	SCREW, M10 X1.5 25MM

# FZCE CALF EXTENSION 15 LB. INCREMENT WEIGHT ASSEMBLY - 7327801

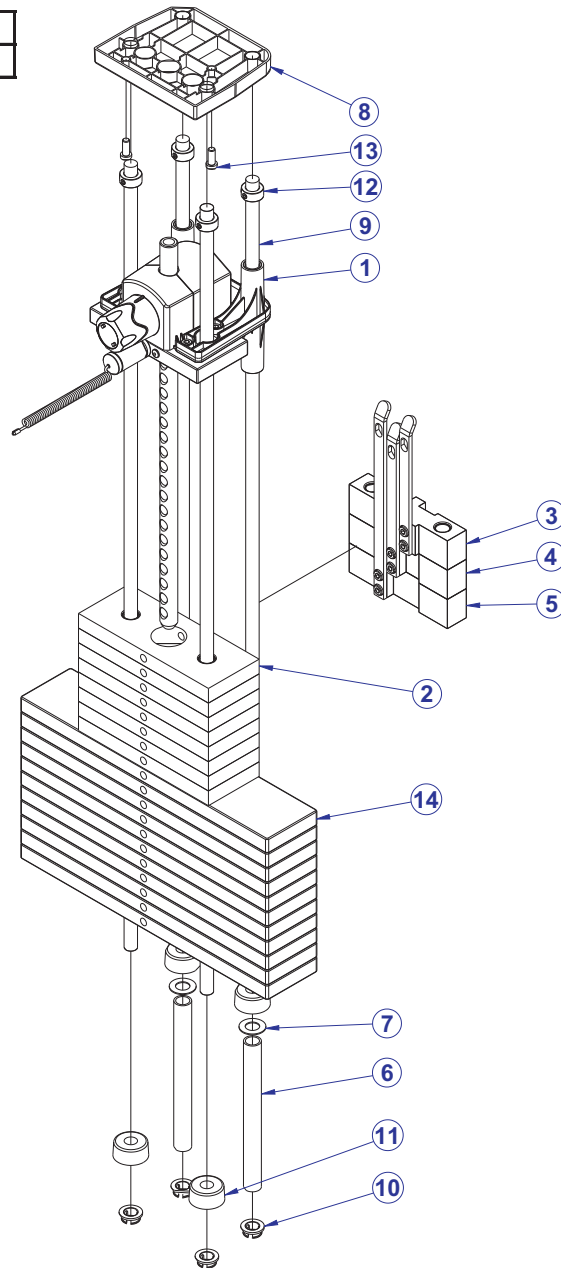


ITEM NO.	QTY.	PART NO.	DESCRIPTION
1	1	7968501	ASSY, FZ INC WEIGHT 5LB
2	1	7328201	BRKT, INCREMENT WT - 15 LB
3	2	3236202	SCREW, M10 X1.5 25MM

# FZCE CALF EXTENSION

## OPTIONAL MID LIGHT-14 WEIGHT STACK ASSY. - 8866401

WEIGHT STACK LABEL	
8867201	LABEL, 280 LB STACK

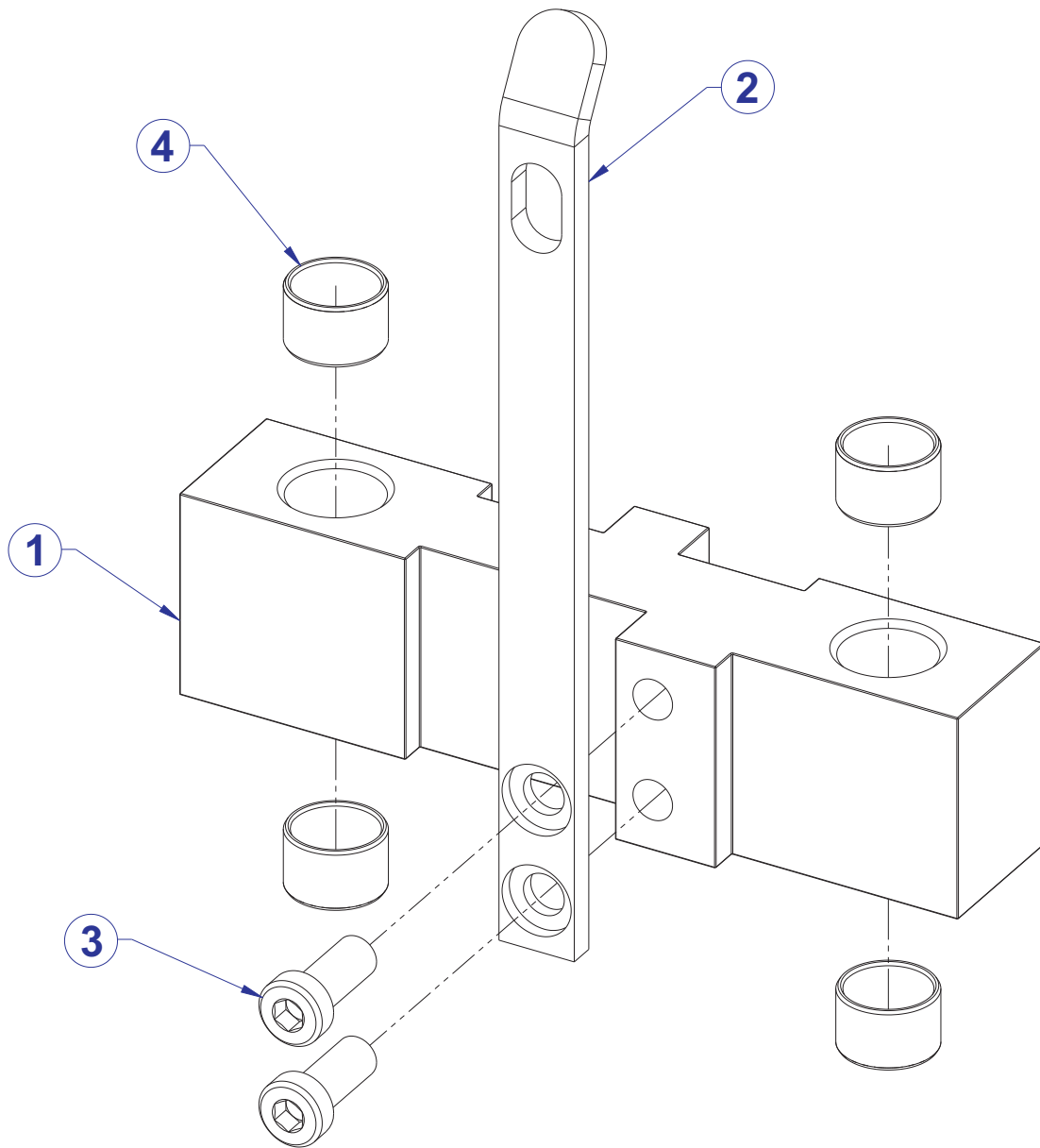


ITEM NO.	QTY.	PART NO.	DESCRIPTION
1	1	7350801	ASSY, HEAD PLATE (19)
2	8	7353701	ASSY, 10 LB PLATE
3	1	8861301	ASSY, FZ INC WEIGHT - 2.5 LB
4	1	8861401	ASSY, FZ INC WEIGHT - 5 LB
5	1	8861501	ASSY, FZ INC WEIGHT - 7.5 LB
6	2	7328702	SPACER, INC WT STACK - 19 PLT
7	2	7351001	SPACER, INC WT STACK
8	1	7621101	RETAINER, GUIDE ROD - TOP
9	4	7328602	GUIDE ROD, .75 OD SOLID 53.50
10	4	7337901	BUSHING, GUIDE ROD
11	4	7352101	CUSHION, WEIGHT STACK
12	4	3103301	SHAFT COLLAR, 3/4 I.D. ZINC
13	2	3236202	SCREW, M10 X1.5 25MM
14	11	7328401	WEIGHT PLATE, 20 LB

# FZCE CALF EXTENSION

## OPTIONAL 2.5 LB. INCREMENT WEIGHT ASSY. - 8861301

---



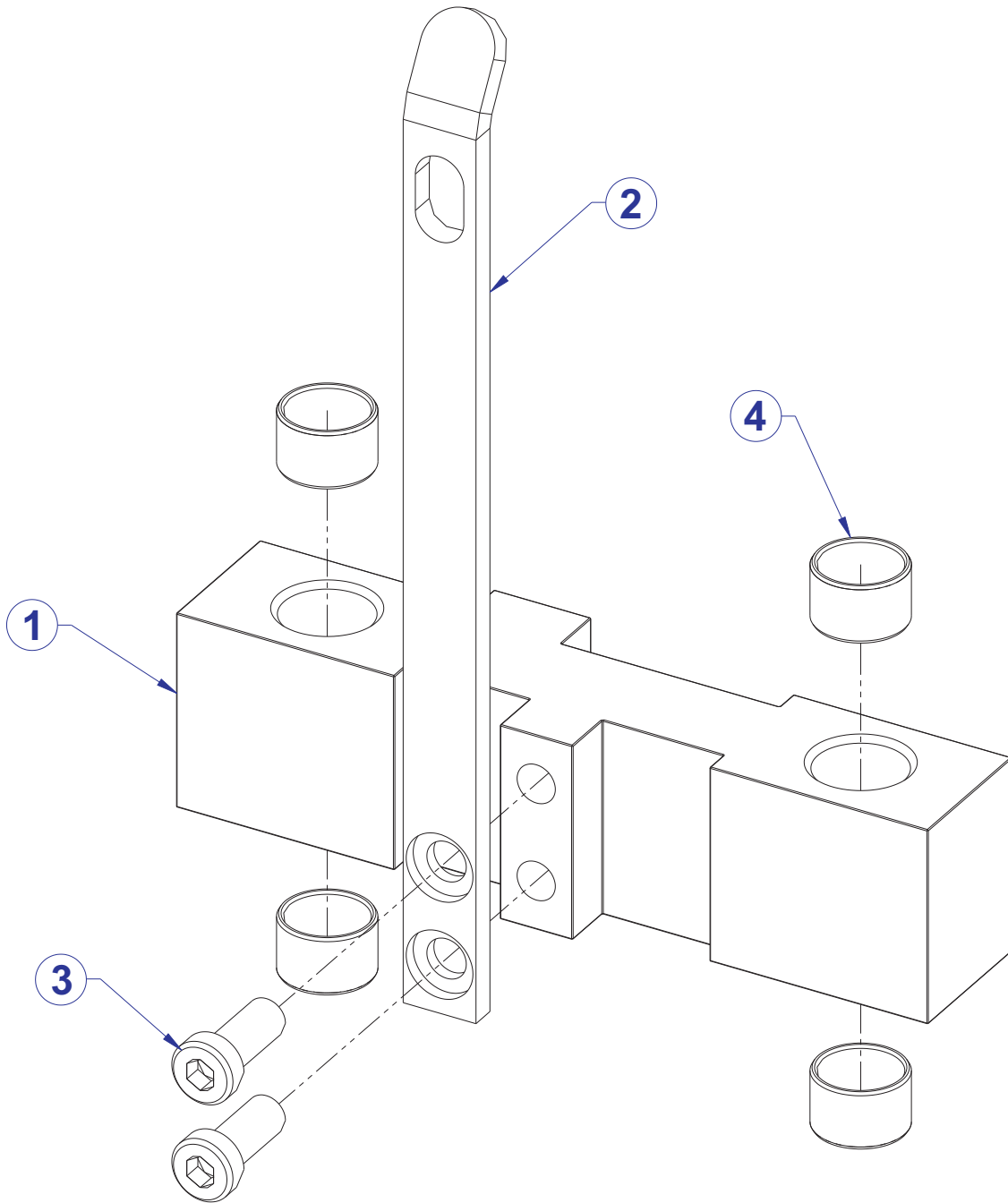
ITEM NO.	QTY.	PART NO.	DESCRIPTION
1	1	8861295	INCREMENT WEIGHT, FZ OPTIONAL - SG
2	1	7328001	BRKT, INCREMENT WT - 5 LB
3	2	3236202	SCREW, M10 X1.5 25MM
4	4	3202501	BEARING, SLEEVE 20 ID X 23.00 X 15 MM



# FZCE CALF EXTENSION

## OPTIONAL 5 LB. INCREMENT WEIGHT ASSY. - 8861401

---

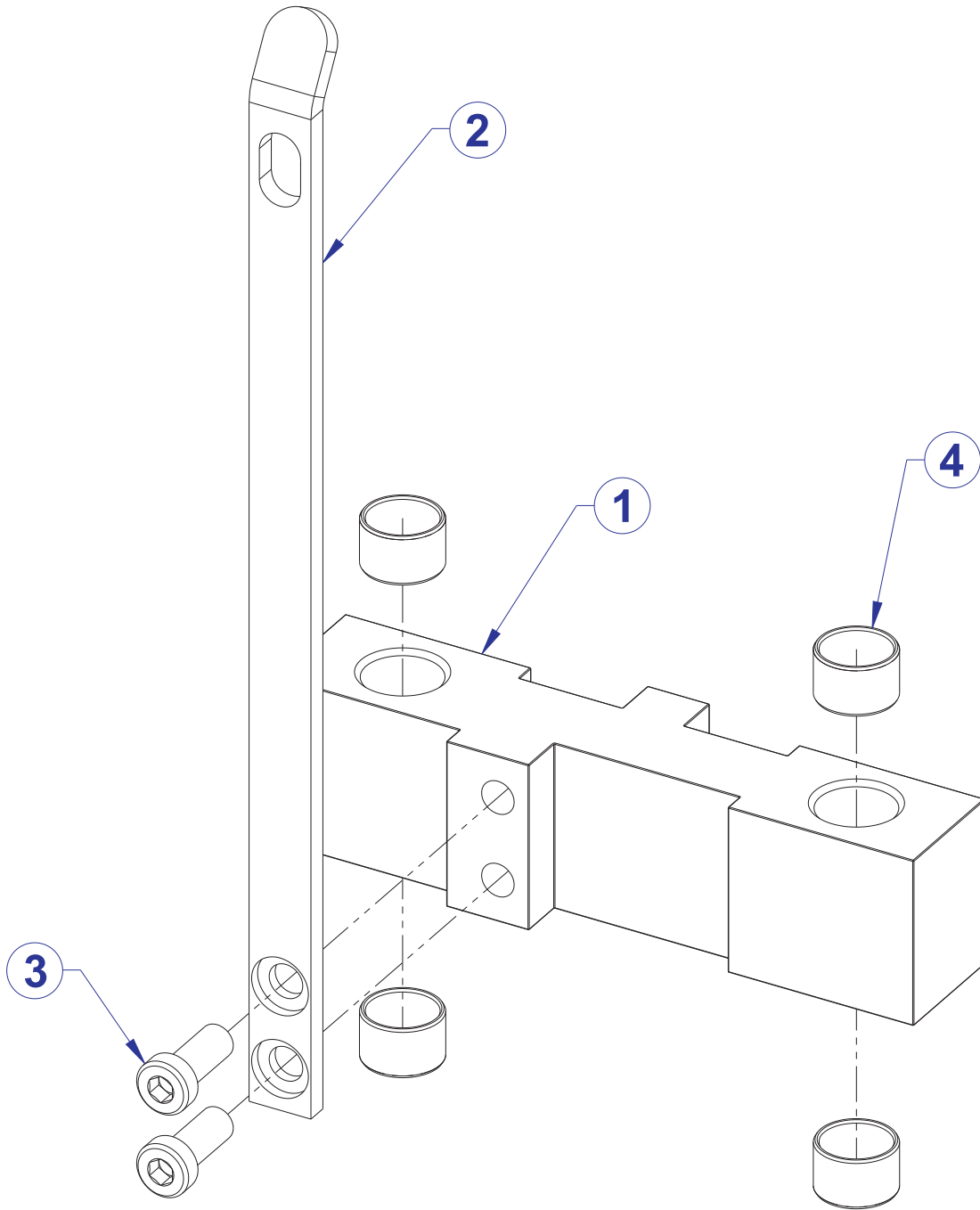


ITEM NO.	QTY.	PART NO.	DESCRIPTION
1	1	8861295	INCREMENT WEIGHT, FZ OPTIONAL - SG
2	1	7328101	BRKT, INCREMENT WT - 10 LB
3	2	3236202	SCREW, M10 X1.5 25MM
4	4	3202501	BEARING, SLEEVE 20 ID X 23.00 X 15 MM

# FZCE CALF EXTENSION

OPTIONAL 7.5 LB. INCREMENT WEIGHT ASSY. - 8861501

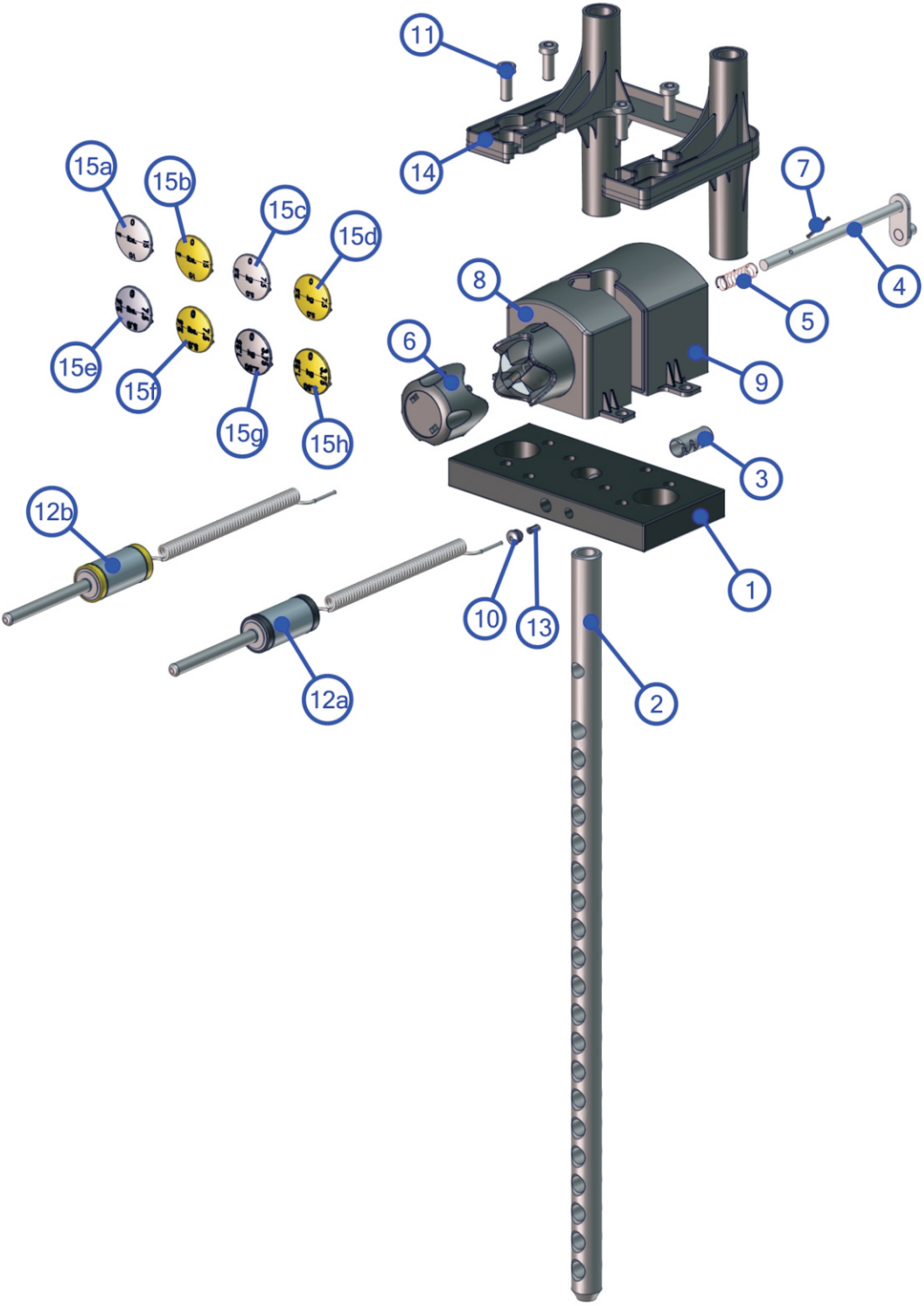
---



ITEM NO.	QTY.	PART NO.	DESCRIPTION
1	1	8861295	INCREMENT WEIGHT, FZ OPTIONAL - SG
2	1	7328201	BRKT, INCREMENT WT - 15 LB
3	2	3236202	SCREW, M10 X1.5 25MM
4	4	3202501	BEARING, SLEEVE 20 ID X 23.00 X 15 MM

# FZCE CALF EXTENSION HEAD PLATE ASSEMBLY - 7350801

---



SEE PAGE 20 FOR LEGEND

# FZCE CALF EXTENSION HEAD PLATE ASSEMBLY LEGEND

---

ITEM NO.	QTY.	PART NO.	DESCRIPTION	WHERE USED	
1	1	7326701	HEAD PLATE	-	
2	1	7349501	STEM, 19 PLATE	-	
3	1	3236001	BUSHING, SPRING PIN	-	
4	1	7327201	WLDMT, INCREMENT WT PIN	-	
5	1	8024501	SPRING, 1/2 OD X 1-1/2	-	
6	1	7326101	KNOB, INC WT SELECTOR	-	
7*	1	3110008	ROLL PIN, 1/8 X 1-1/4	-	
8*	1	7326401	HOUSING, SELECTOR - FRONT	-	
9*	1	7326501	HOUSING, SELECTOR - REAR	-	
10	1	7356501	PLUG, LANYARD ATTACHMENT	-	
11	4	3236202	SCREW, M10 X1.5 25MM	-	
12**	a	1	7338101	ASSY, WT STACK SELECTOR PIN-SILVER	-
	b		7338103	ASSY, WT STACK SELECTOR PIN-YELLOW	-
13	1	7523601	CRIMP, CABLE	-	
14	1	8867301	ASSY, FZ, STABILIZER WITH BUSHINGS	-	
15**	a	1	7398601	CAP, SELECTOR KNOB - 5 LBS, SILVER	REG. STACK / LBS.
	b		7398603	CAP, FZ SELECTOR KNOB - 5 LBS, YELLOW	REG. STACK / LBS.
	c		7398701	CAP, FZ SELECTOR KNOB - 2.5 KG, SILVER	REG. STACK / KG.
	d		7398703	CAP, FZ SELECTOR KNOB - 2.5 KG, YELLOW	REG. STACK / KG.
	e		8865801	CAP, FZ SELECTOR KNOB - 2.5 LBS, SILVER	LIGHT STACK / LBS.
	f		8865803	CAP, FZ SELECTOR KNOB - 2.5 LBS, YELLOW	LIGHT STACK / LBS.
	g		8946501	CAP, FZ SELECTOR KNOB - 1.25 KG, SILVER	LIGHT STACK / KG.
	h		8946503	CAP, FZ SELECTOR KNOB - 1.25 KG, YELLOW	LIGHT STACK / KG.

\* Kit exists for component set. See bulletin FZ02012701N

\*\* Language specific/Weight stack item. Order separately-not part of assembly.

# FZCE CALF EXTENSION IMAGE

---

