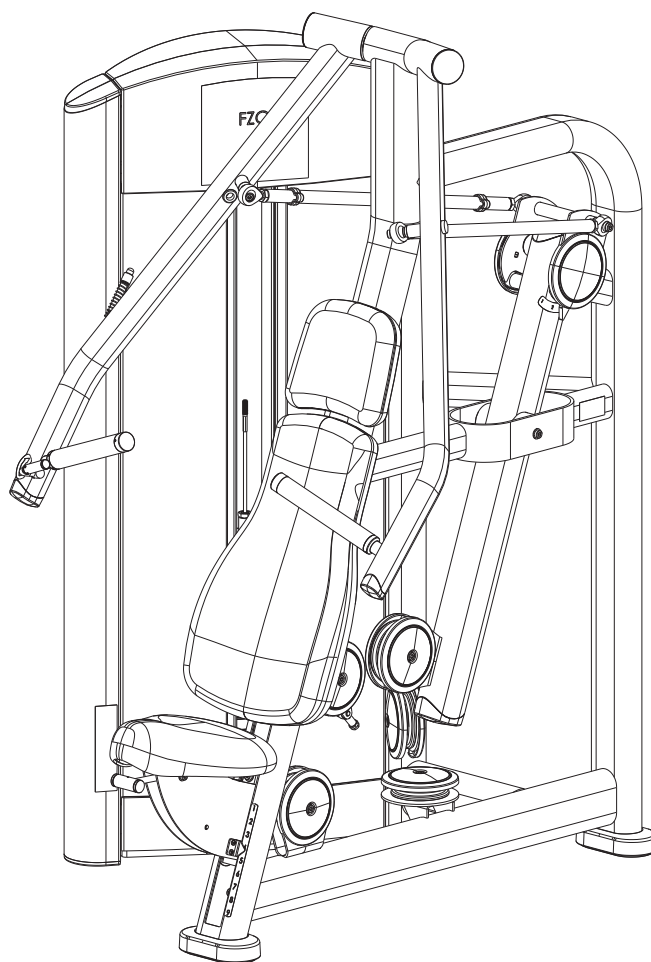


Signature Series Single Station Chest Press

FZCP

Parts List



FZCP CHEST PRESS CONTENTS

FRAME AND UPHOLSTERY COLORS..... 3

SHROUD OPTIONS..... 4

COMPONENT ASSEMBLY..... 5

COMPONENT ASSEMBLY II..... 6

COMPONENT ASSEMBLY LEGEND..... 7

SEAT CARRIAGE ASSEMBLY..... 8

SEAT CARRIAGE ASSEMBLY LEGEND..... 9

ADJUSTER HANDLE ASSEMBLY..... 10

MID-14 TOWER ASSEMBLY..... 11

PLASTIC TOWER ASSEMBLY..... 12

OPTIONAL WRAPPED SHROUDS..... 13

MID-14 WEIGHT STACK ASSEMBLY..... 14

5 LB. INCREMENT WEIGHT ASSEMBLY..... 15

10 LB. INCREMENT WEIGHT ASSEMBLY..... 16

15 LB. INCREMENT WEIGHT ASSEMBLY..... 17

OPTIONAL LIGHT MID-14 WEIGHT STACK ASSEMBLY..... 18

OPTIONAL 2.5 LB. INCREMENT WEIGHT ASSEMBLY..... 19

OPTIONAL 5 LB. INCREMENT WEIGHT ASSEMBLY..... 20

OPTIONAL 7.5 LB. INCREMENT WEIGHT ASSEMBLY..... 21

HEAD PLATE ASSEMBLY..... 22

HEAD PLATE ASSEMBLY LEGEND..... 23

IMAGE..... 24

FZCP CHEST PRESS FRAME AND UPHOLSTERY COLORS

Strength Frame Colors



Platinum



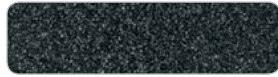
White



Black



Ice Blue Metallic



Midnight Metallic



Nickel



Blue



Red



Yellow



Candy Apple Red

Note: Include frame color in pick-slip notes when ordering frame assemblies or weldments.

Strength Upholstery Colors



American Beauty Red 07



Azure 20



Black 01



Cranberry 04



Graphite 22



Hunter Green 13



Regimental Blue 14



Royal Blue 02



Slate 03



Wheat 21



Burgundy 29



Candy Apple Red 28



Chestnut 34



Concord 16



Crocus 19



Dove Gray 37



Emerald 27



Grotto 25



Gun Metal 39



Imperial Blue 33



Jade 26



Navy 32



Northwoods Green 05



Paprika 35



Plum 30



Putty 38



Space Blue 06



Suede 08



Terra Cotta 36



Turquoise 17

Note: Replace XX with above color suffix when ordering pads (ie. 74123XX = 7412301 Black)
Use 99 suffix for custom upholstery.

FZCP CHEST PRESS SHROUD OPTIONS

STANDARD SHROUD NO WRAP



TRANSLUCENT



OPTIONAL StackWraps™ SHROUD + WRAP

BAMBOO



BRONZE



ROSEWOOD



SKY



STAINLESS STEEL



STEM



CO-BRANDED StackWraps™ SHROUD + WRAP

(refer to co-branded parts list)



PLANET FITNESS

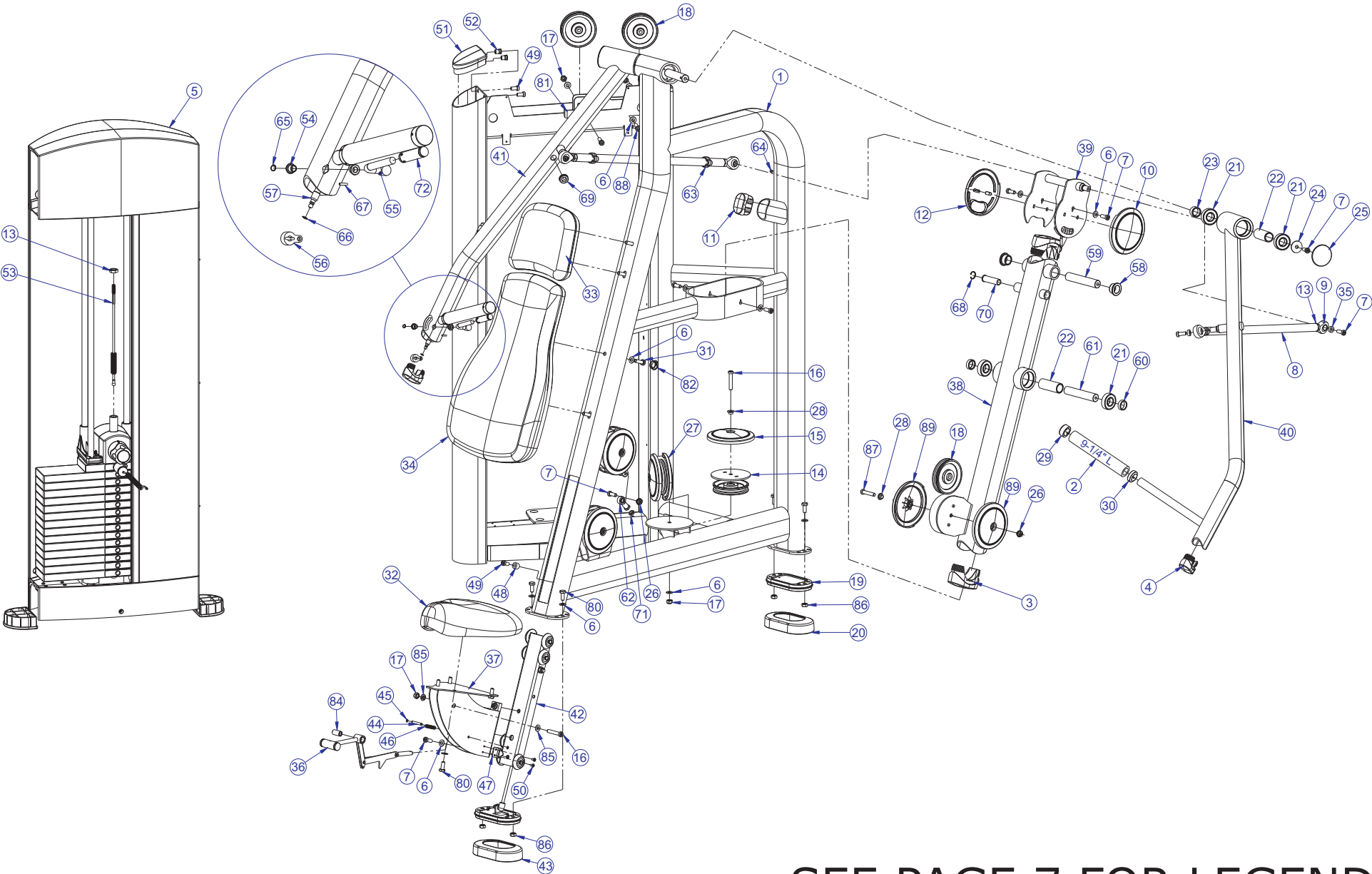


BLINK FITNESS



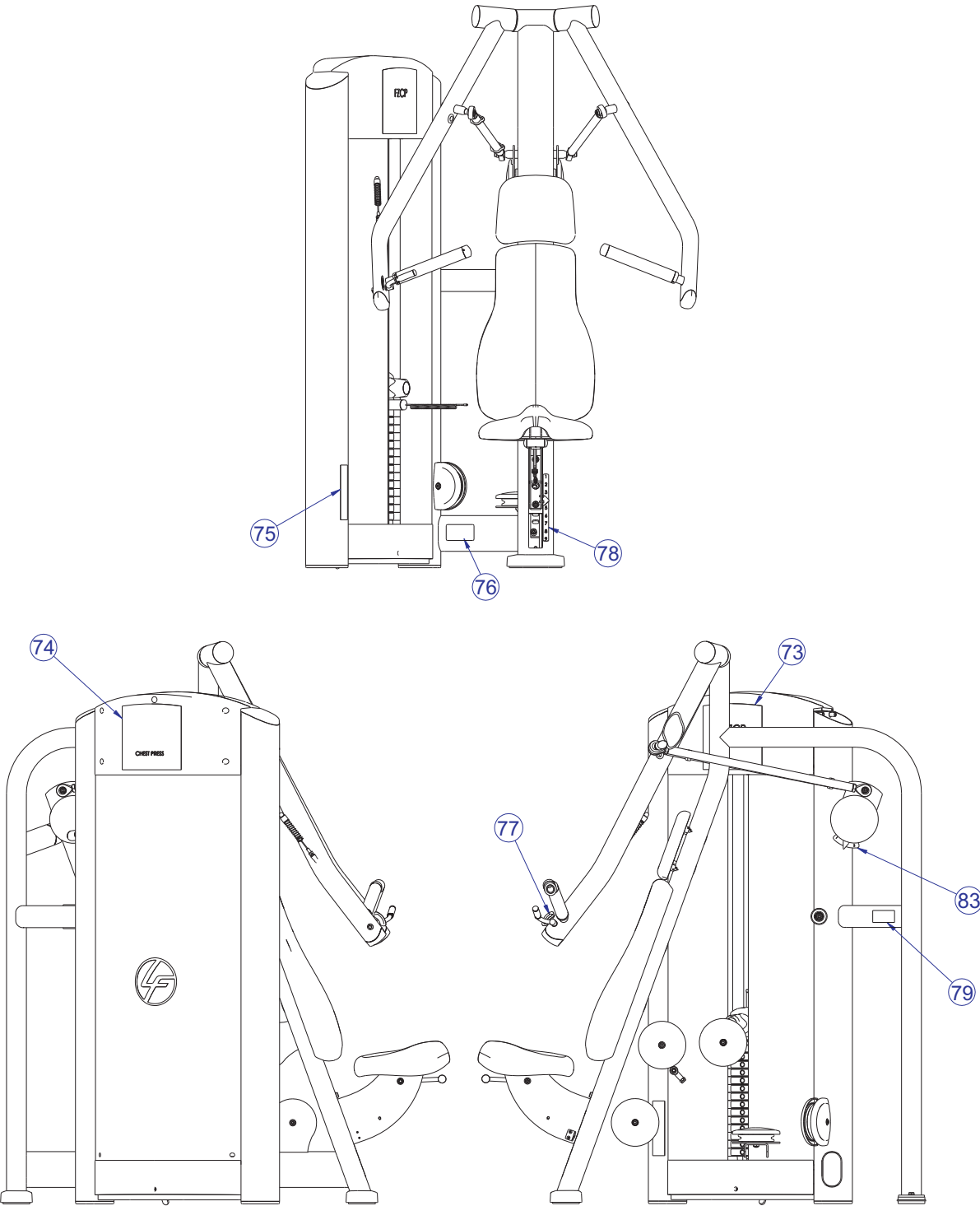
RETRO FITNESS

FZCP CHEST PRESS COMPONENT ASSEMBLY



SEE PAGE 7 FOR LEGEND

FZCP CHEST PRESS COMPONENT ASSEMBLY II



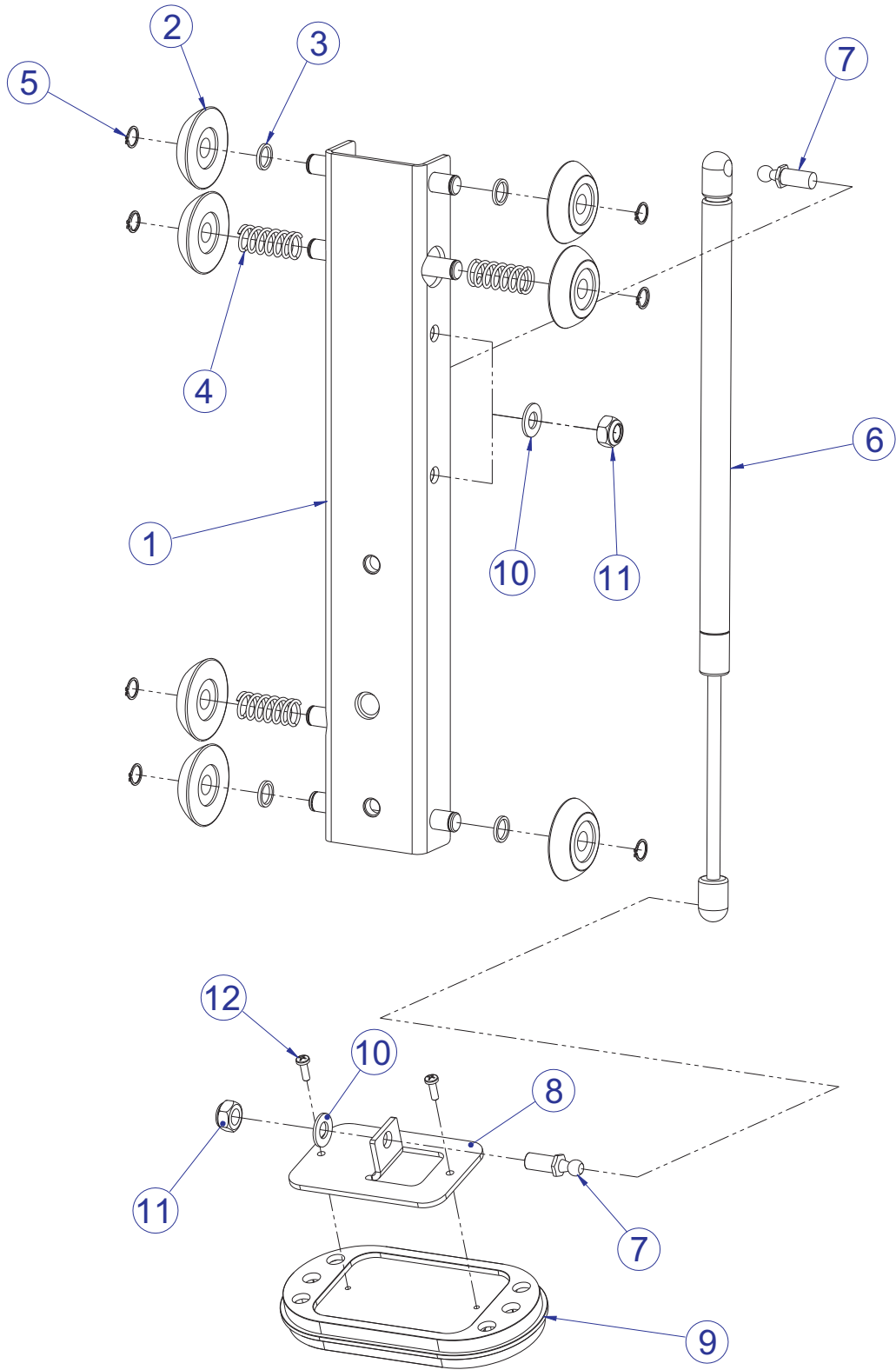
SEE PAGE 7 FOR LEGEND

FZCP CHEST PRESS COMPONENT ASSEMBLY LEGEND

ITEM NO.	QTY.	PART NO.	DESCRIPTION
1	1		WLDMT, FZCP FRAME
2	2	3235802	GRIP, TBC
3	2	7333901	CAP, LARGE FLOV- END
4	2	7333801	CAP, SMALL FLOV- END
5	1	7420401	ASSY, MID TOWER-14
6	22	3236601	WASHER, 3/8 SAE SS
7	13	3236202	SCREW, M10 X1.5 25MM
8	2	7318003	TIE ROD, 1 X 24
9	4	3238701	ROD END, METRIC MALE
10	1	7340001	COVER, PULLEY- NOTCHED
11	1	7317901	STOP, BUMPER
12	1	7516801	COVER, PULLEY- SLOT
13	5	3236902	NUT, M16 X 2 HEX JAM SS
14	1	7318201	PLATE, PULLEY
15	1	8102901	COVER, PULLEY-BOLTED FULL
16	2	3236208	SCREW, M10 X1.5 55MM
17	4	3236801	NUT, M10 HEX NYLOCK SS
18	7	3237801	PULLEY, 4.5" OD
19	1	7334001	FOOT, 2.50 X 4.49 FLOV
20	1	7340201	COVER, FOOT - STRAIGHT
21	6	3235601	BEARING, 6205 BALL
22	3	7330003	SPACER, INTERNAL X 3.265
23	2	7330002	SPACER, INTERNAL X .653
24	2	3236701	WASHER, FENDER 3/8" ID X 1.5" OD
25	2	7308701	CAP, BEARING HOUSING
26	5	7335401	NUT, M10 X 1.5 SOCKET HEAD
27	2	8094101	COVER, PULLEY-BOLTED PARTIAL
28	5	7630101	RETAINER, CM/MJ, PULLEY
29	2	7662902	CAP, GRIP 1.50 OD
30	2	7662802	RING, GRIP 1.50 OD
31	4	3251204	SCREW, M10 X1.5 X 35MM HEX
32	1	72971XX	PAD, SEAT SADDLE
33	1	74743XX	PAD, HEAD REST
34	1	74741XX	PAD, LARGE BACK
35	4	7385201	SPACER, .406 X .750 X .250
36	1	77780XX	ASSY, FZ ADJUSTER HANDLE
37	1	7330501	WLDMT, FZ SEAT SUPPORT
38	1	7120801	WLDMT, FZCP PIVOT ARM
39	1	7332101	WLDMT, FZCP ADJ START
40	1	7119701	WLDMT, FZCP PRESS ARM LH
41	RIGHT WORK ARM -SEE BULLETIN FZ09091601R		
42	1	7911101	ASSY, SEAT CARRIAGE
43	1	7419601	COVER, FOOT-20 DEG.
44	1	7407502	PIN, LINK
45	2	3232401	RING, RETAINING, EXTERNAL

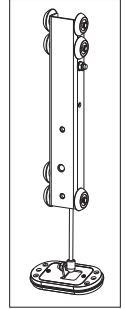
ITEM NO.	QTY.	PART NO.	DESCRIPTION
46	1	3239201	SPRING, EXT, .375 X .049 X 2.00
47	1	7425295	BRKT, SEAT INDICATOR
48	1	7385203	SPACER, .406 X .750 X .500
49	5	3236201	SCREW, M10 X1.5 20MM
50	2	3239101	SCREW, M5X10 PHL PAN TT ST
51	2	7326201	CAP, D-TUBE - TOP
52	4	3238601	M10X1.5 THREADED INSERT (HEX)
53	1	7423604	CABLE, FZCP
54	2	3104908	.375" ID .500" OD BRONZE BUSHING
55	1	8002195	WLDMT, ADJ HANDLE SHDW GREY
56	CAM -SEE BULLETIN FZ09091601R		
57	PUSH-PULL CABLE -SEE BULLETIN FZ09091601R		
58	2	3104903	1.00" ID 1.25" OD BRONZ BUSHING
59	1	7324902	SHAFT, TAPPED 1 DIA X 5.330
60	2	7330001	SPACER, INTERNAL X .403
61	1	7316502	SHAFT, 25MM X 5.250
62	1	3237901	ROD END, METRIC FEMALE
63	2	7780001	CLIP, CABLE
64	2	3242901	SCREW, SET BO
65	1	3232405	RING, RETAINING, EXTERNAL
66	1	3232403	RING, RETAINING, EXTERNAL
67	1	3110013	ROLL PIN, 5/32 DIA X 5/8
68	1	3232202	RING, BRI .875,5000-87,ST,PP,B
69	1	3209101	GROMMET
70	1	7524901	HOUSING, INT PUSH-PULL ADJ
71	1	3236901	NUT, M10 X 1.5 JAM
72	1	7681901	HANDLE, REMOTE, SHADOW GRAY
		7681903	HANDLE, REMOTE, YELLOW
73	1	7507101	LABEL, FZCP PLACARD
74	1	7507201	LABEL, FZCP LOGO
75	1	7422004	LABEL, 2" ASTM WARN
76	1	7571301	LABEL, SERIAL NUMBER
77	1	7524001	LABEL, ARROW
78	1	7524501	LABEL, 1-9 STRAIGHT
79	1	7422003	LABEL, MOVING PARTS
80	8	3251202	SCREW, M10 X1.5 X 25MM HEX
81	1	6757701	CLIP, CABLE 2-7/8 X 1 X 1
82	4	3237403	PLUG, 1" HOLE
83	1	7523901	LABEL, 1-3 CURVED
84	1	7776501	SHAFT, .625 X .406 X 1.200
85	2	7776401	SPACER, FLANGE .406 X .495 X .81
86	4	3254703	NUT, M10 X 1.5 HEX ZINC
87	4	3236207	SCREW, M10 X1.5 50MM
88	2	3236206	SCREW, M10 X1.5 45MM
89	6	8104501	COVER, PULLEY-BOLTED NOTCHED

FZCP CHEST PRESS SEAT CARRIAGE ASSEMBLY - 7911101



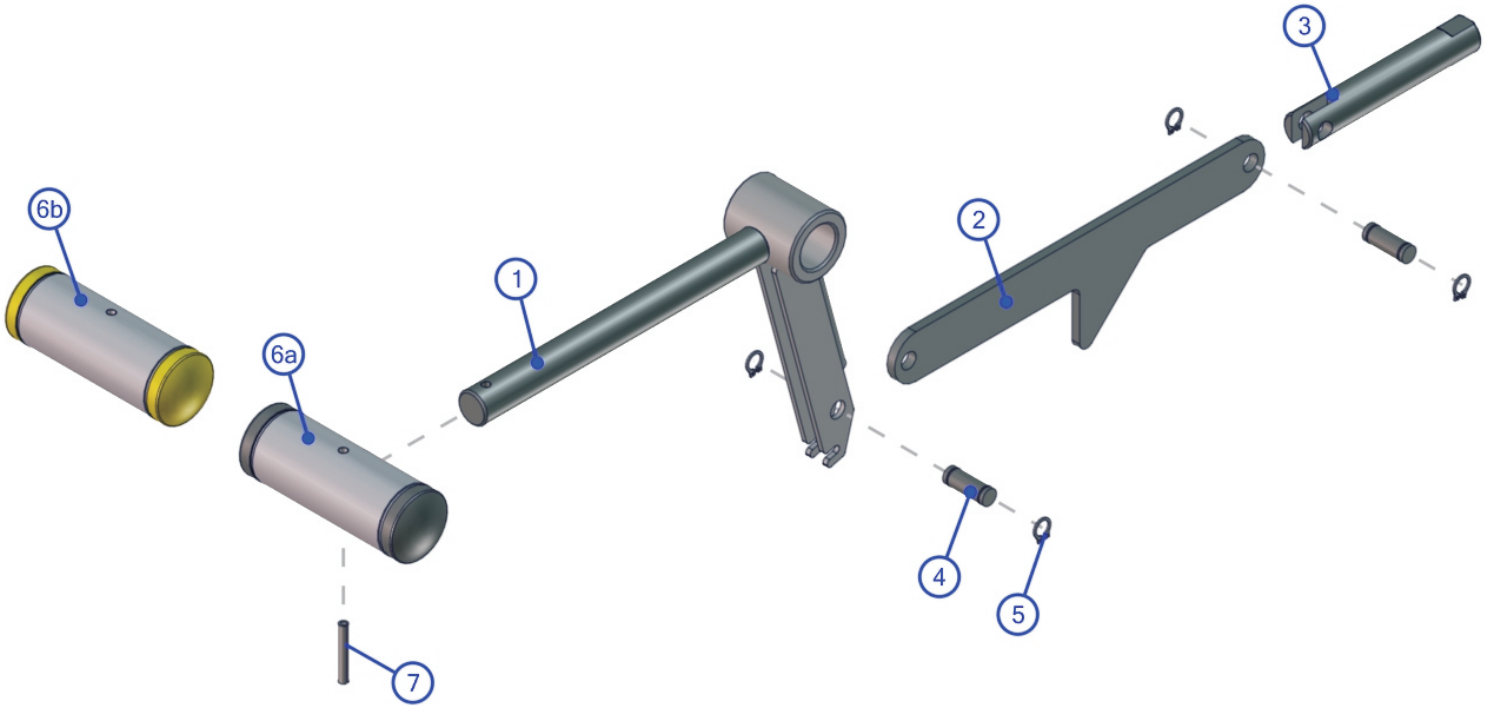
SEE PAGE 9 FOR LEGEND

FZCP CHEST PRESS SEAT CARRIAGE ASSEMBLY LEGEND



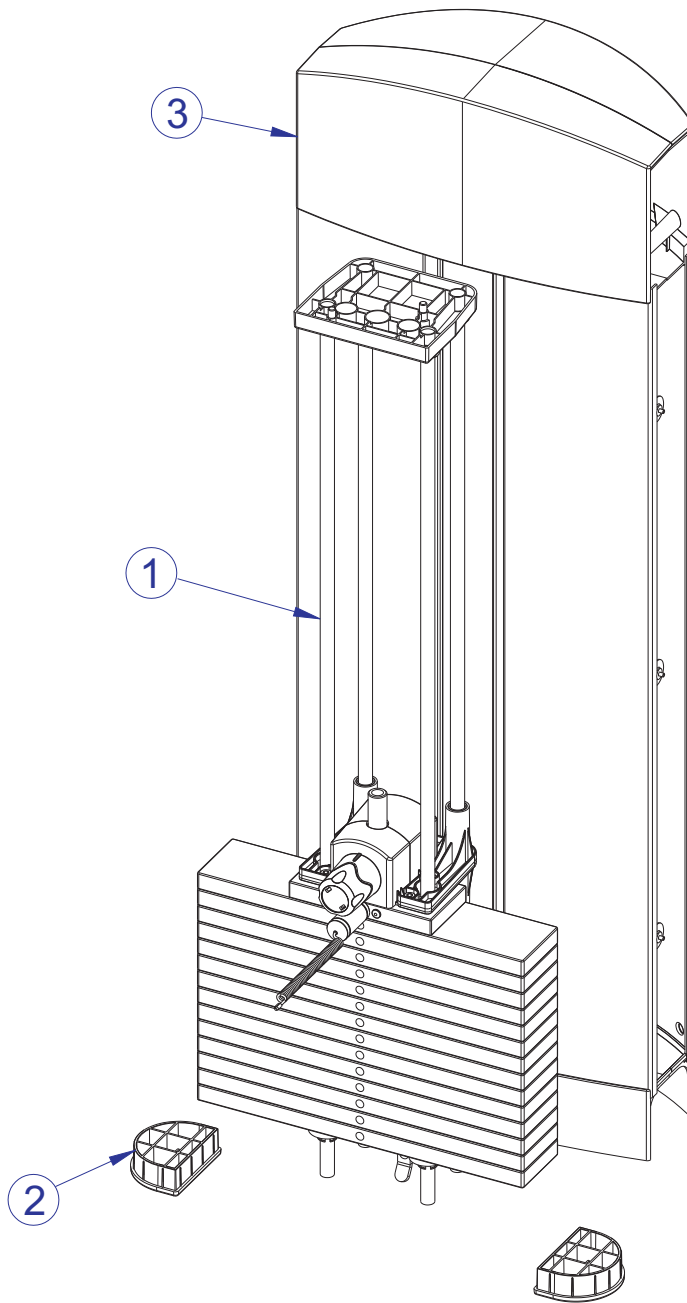
ITEM NO.	QTY.	PART NO.	DESCRIPTION
1	1	7911295	WLDMT, SEAT CARRIAGE SHDW GRAY
2	7	7889701	ROLLER, SEAT CARRIAGE
3	4	7911901	SPACER, .625 DIA X 16 GA.
4	3	7912001	SPRING, SEAT CARRIAGE
5	7	3232408	RING, BRE .443, 5100-46, ST,PP,B
6	1	3235703	SPRING, GAS 80N
7	2	7414301	STUD, M10 BALL END M10 X 1.5
8	1	7339401	BRACKET, GAS SPRING
9	1	7334001	FOOT, 2.50 X 4.49 FLOV
10	2	3236601	WASHER, 3/8 SAE SS
11	2	3236801	NUT, M10 HEX NYLOCK SS
12	2	3241201	M4 PHL PAN F ST ZN

FZCP CHEST PRESS ADJUSTER HANDLE ASSEMBLY - 77780XX



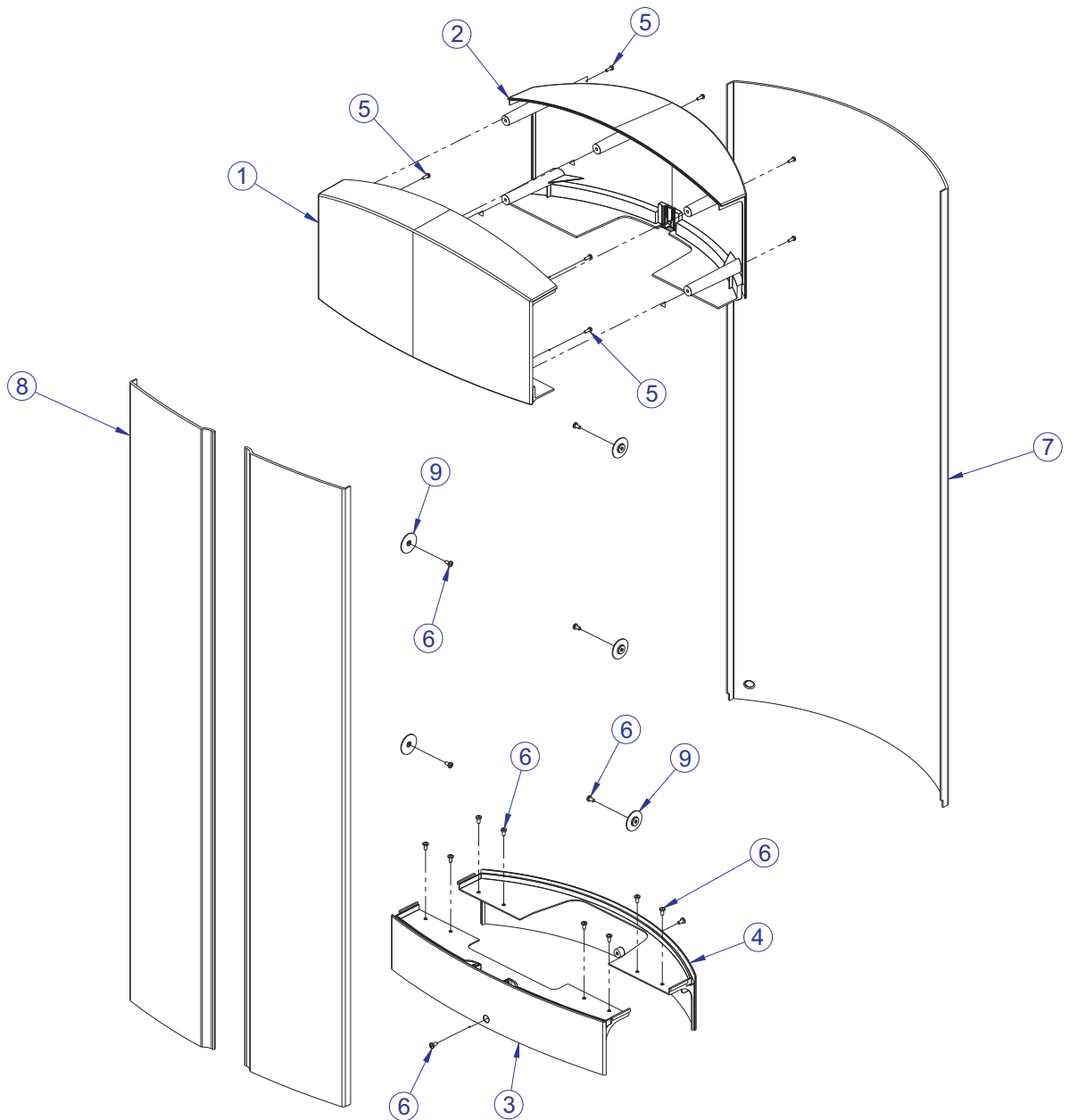
ITEM NO.	QTY.	PART NO.	DESCRIPTION
1	1	7777595	WLDMT, FZ SEAT ADJ HANDLE SHADOW GRAY
2	1	7331801	LINK, ADJUSTER
3	1	7331601	PIN, INDEX
4	2	7407501	PIN, LINK
5	4	3232401	RING, RETAINING, EXTERNAL
6	a	7287901	HANDLE, ADJUSTER - SILVER
	b	7287903	HANDLE, ADJUSTER - YELLOW
7	1	3110010	ROLL PIN, 1/8 X 7/8

FZCP CHEST PRESS MID-14 TOWER ASSEMBLY - 7420401



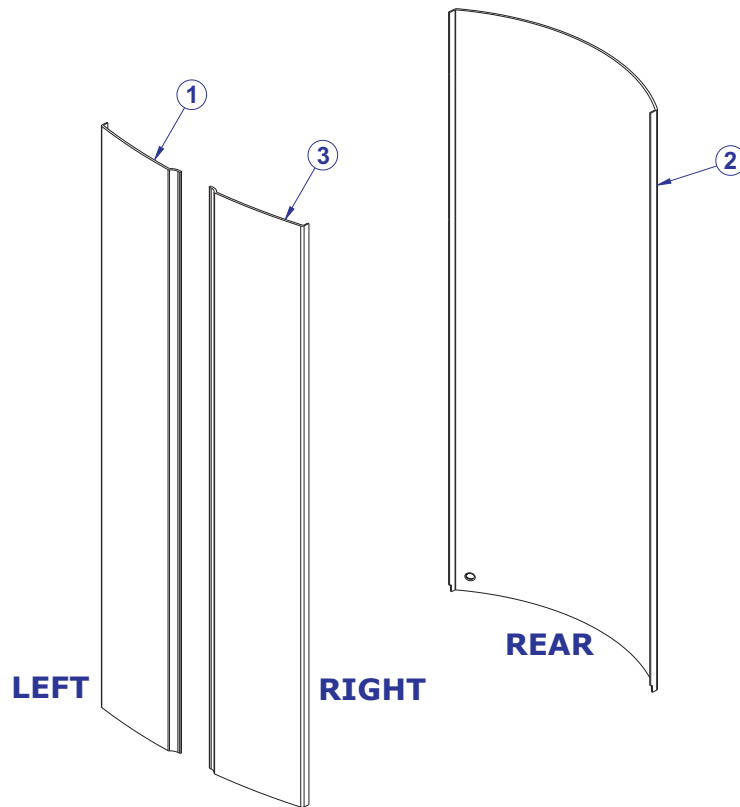
ITEM NO.	QTY.	PART NO.	DESCRIPTION
1	1	7420101	ASSY, WEIGHT STACK MID-14
2	2	7326301	CAP, D-TUBE-BTM
3	1	7419801	ASSY, TOWER PLASTICS-MID

FZCP CHEST PRESS PLASTIC TOWER ASSEMBLY - 7419801



ITEM NO.	QTY.	PART NO.	DESCRIPTION
1	1	7318601	COVER, TOWER- TOP FRONT
2	1	7318701	COVER, TOWER- TOP REAR
3	1	7318801	COVER, TOWER- BOTTOM FRONT
4	1	7318901	COVER, TOWER- BOTTOM REAR
5	9	3236501	M4 X 0.7 PHL PAN MS ST ZN
6	16	3239101	SCREW, M5X10 PHL PAN TT ST
7	1	7765701	SHROUD, TOWER- REAR SHORT
8	2	7765601	SHROUD, TOWER- FRT SHORT RH
9	6	7583501	RETAINER, FZ SHROUD

FZCP CHEST PRESS OPTIONAL WRAPPED SHROUDS



BAMBOO



ITEM NO.	QTY.	PART NO.	DESCRIPTION
1	1	8954201	SHROUD, FZ, FNT, SRT, LT -BAMBOO
2	1	8949101	SHROUD, FZ, REAR, SRT -BAMBOO
3	1	8949001	SHROUD, FZ, FNT, SRT, RT -BAMBOO

SKY



ITEM NO.	QTY.	PART NO.	DESCRIPTION
1	1	8954301	SHROUD, FZ, FNT, SRT, LT -SKY
2	1	8949301	SHROUD, FZ, REAR, SRT -SKY
3	1	8949201	SHROUD, FZ, FNT, SRT, RT -SKY

BRONZE



ITEM NO.	QTY.	PART NO.	DESCRIPTION
1	1	8954401	SHROUD, FZ, FNT, LT - BRONZE
2	1	8949501	SHROUD, FZ, REAR -BRONZE
3	1	8949401	SHROUD, FZ, FNT, SRT, RT -BRONZE

STEM



ITEM NO.	QTY.	PART NO.	DESCRIPTION
1	1	8954501	SHROUD, FZ, FNT, SRT, LT -STEM
2	1	8949701	SHROUD, FZ, REAR, SRT -STEM
3	1	8949601	SHROUD, FZ, FNT, SRT, RT -STEM

ROSEWOOD



ITEM NO.	QTY.	PART NO.	DESCRIPTION
1	1	8954601	SHROUD, FZ, FNT, SRT, LT -ROSEWOOD
2	1	8949901	SHROUD, FZ, REAR, SRT -ROSEWOOD
3	1	8949801	SHROUD, FZ, FNT, SRT, RT -ROSEWOOD

STAINLESS
STEEL

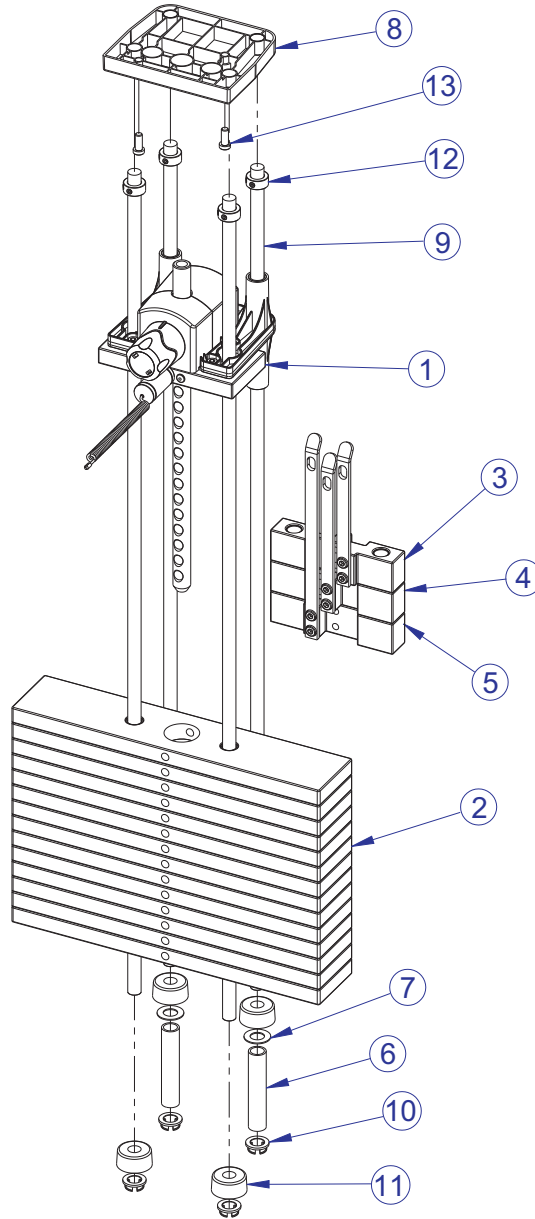


ITEM NO.	QTY.	PART NO.	DESCRIPTION
1	1	8954701	SHROUD, FZ, FNT, SRT, LT -STAINLESS STEEL
2	1	8950101	SHROUD, FZ, REAR, SRT -STAINLESS STEEL
3	1	8950001	SHROUD, FZ, FNT, SRT, RT-STAINLESS STEEL

FZCP CHEST PRESS MID-14 WEIGHT STACK ASSEMBLY - 7420101

WEIGHT STACK LABELS

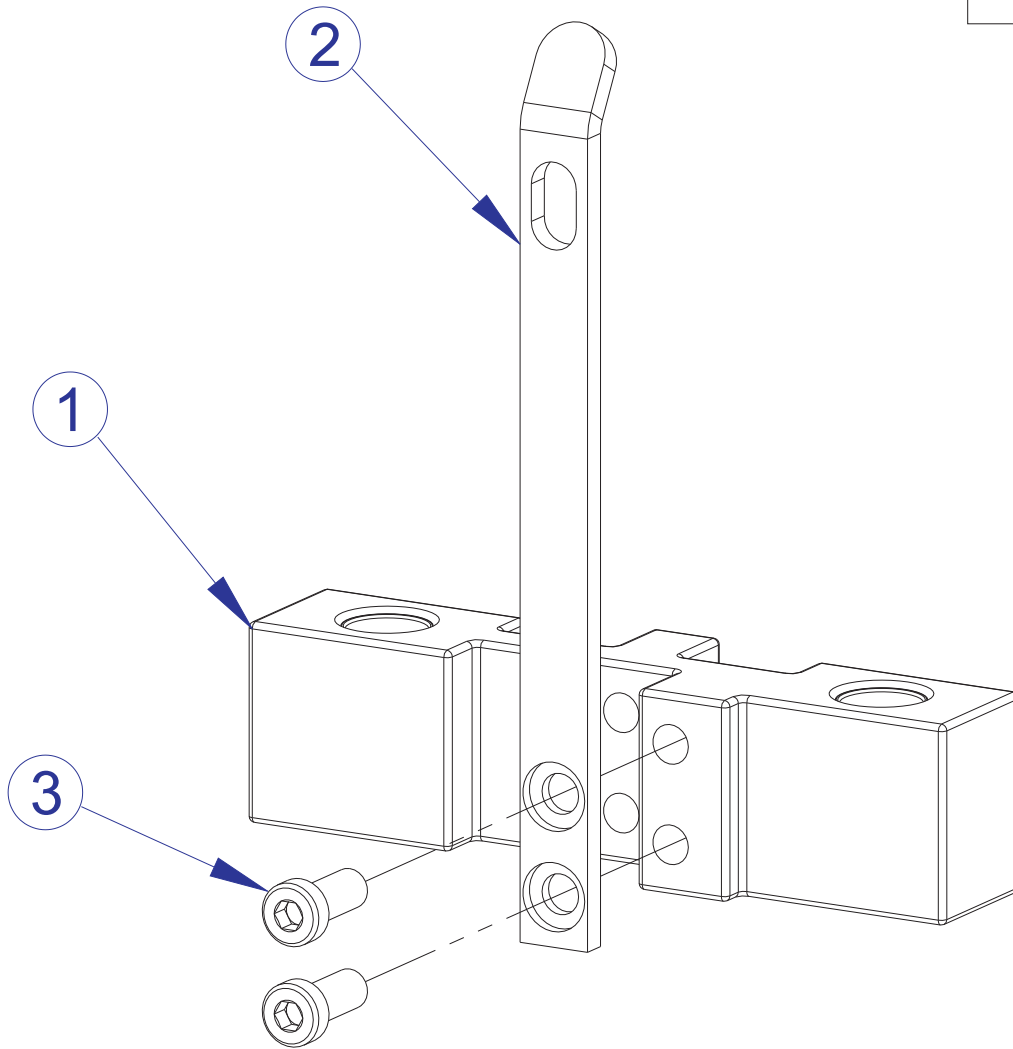
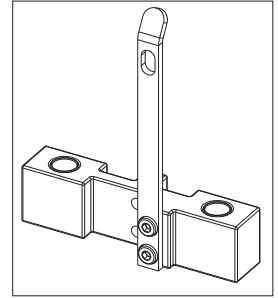
7927201	LABEL, 390 LB STACK
7927301	LABEL, 195 KG STACK



ITEM NO.	QTY.	PART NO.	DESCRIPTION
1	1	7350701	ASSY, HEAD PLATE (14)
2	14	7328401	WEIGHT PLATE, 20 LB
3	1	7327601	ASSY, INCREMENT WT-5LB
4	1	7327701	ASSY, INCREMENT WT-10LB
5	1	7327801	ASSY, INCREMENT WT-15LB
6	2	7328701	SPACER, INC WT STACK 14 PLT
7	2	7351001	SPACER, INC WT STACK
8	1	7621101	RETAINER, GUIDE ROD-TOP
9	4	7328602	GUIDE ROD, .75 OD SOLID X 53.50
10	4	7337901	BUSHING, GUIDE ROD
11	4	7352101	CUSHION, WEIGHT STACK
12	4	3103301	SHAFT COLLAR, 3/4" ID ZINC
13	2	3236202	M10 X 1.5 X 25 HXS SOC CS SS

FZCP CHEST PRESS

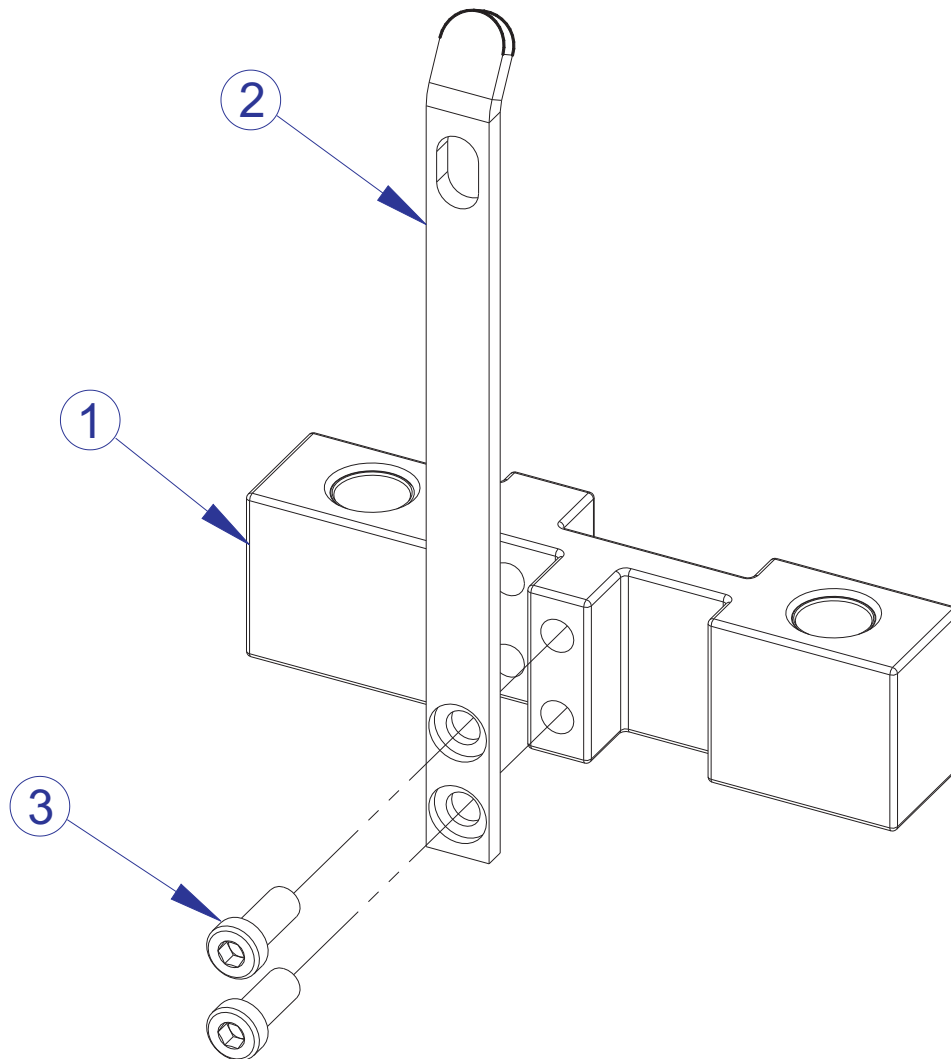
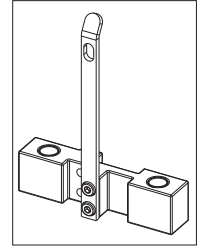
5 LB. INCREMENT WEIGHT ASSEMBLY - 7327601



ITEM NO.	QTY.	PART NO.	DESCRIPTION
1	1	7968501	ASSY, FZ INC WEIGHT 5LB
2	1	7328001	BRKT, INCREMENT WT - 5 LB
3	2	3236202	SCREW, M10 X1.5 25MM

FZCP CHEST PRESS

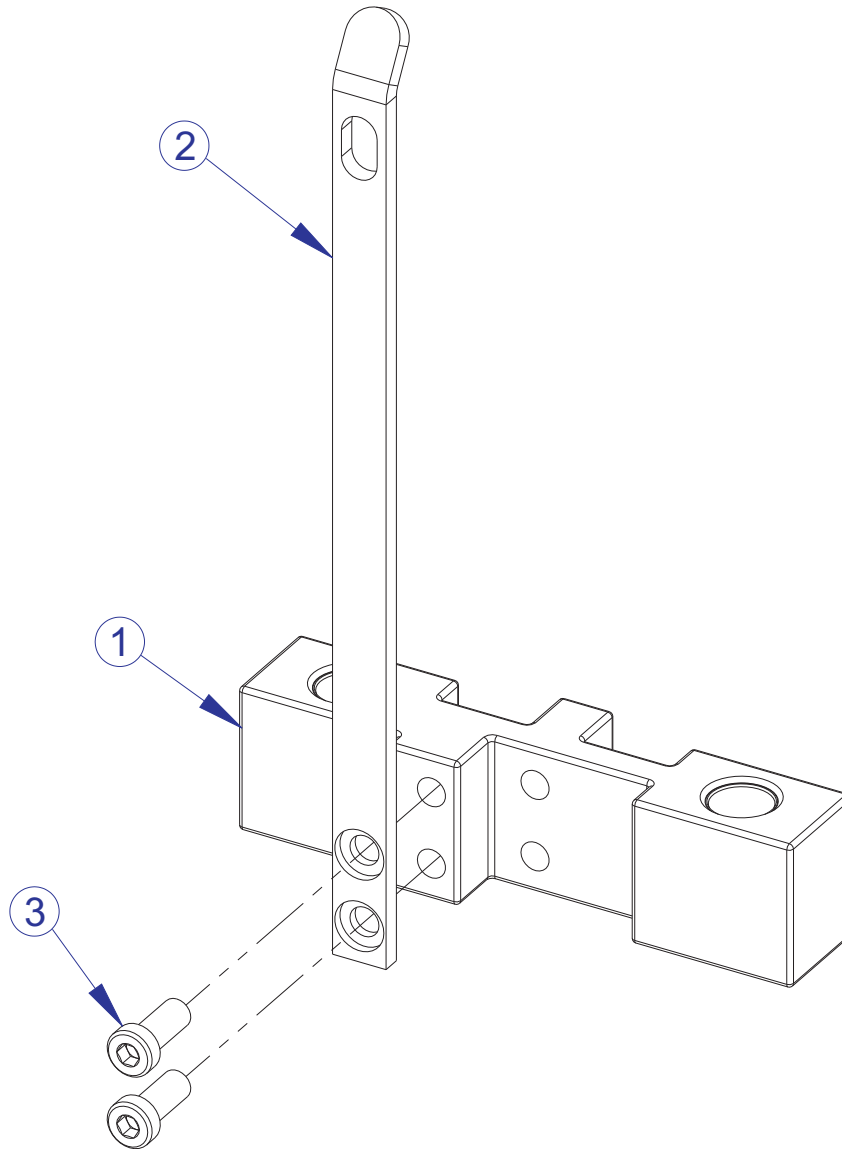
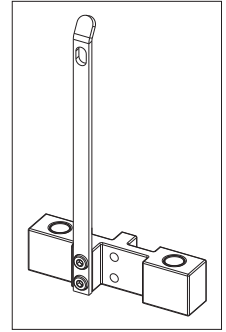
10 LB. INCREMENT WEIGHT ASSEMBLY - 7327701



ITEM NO.	QTY.	PART NO.	DESCRIPTION
1	1	7968501	ASSY, FZ INC WEIGHT 5LB
2	1	7328101	BRKT, INCREMENT WT - 10 LB
3	2	3236202	SCREW, M10 X1.5 25MM

FZCP CHEST PRESS

15 LB. INCREMENT WEIGHT ASSEMBLY - 7327801

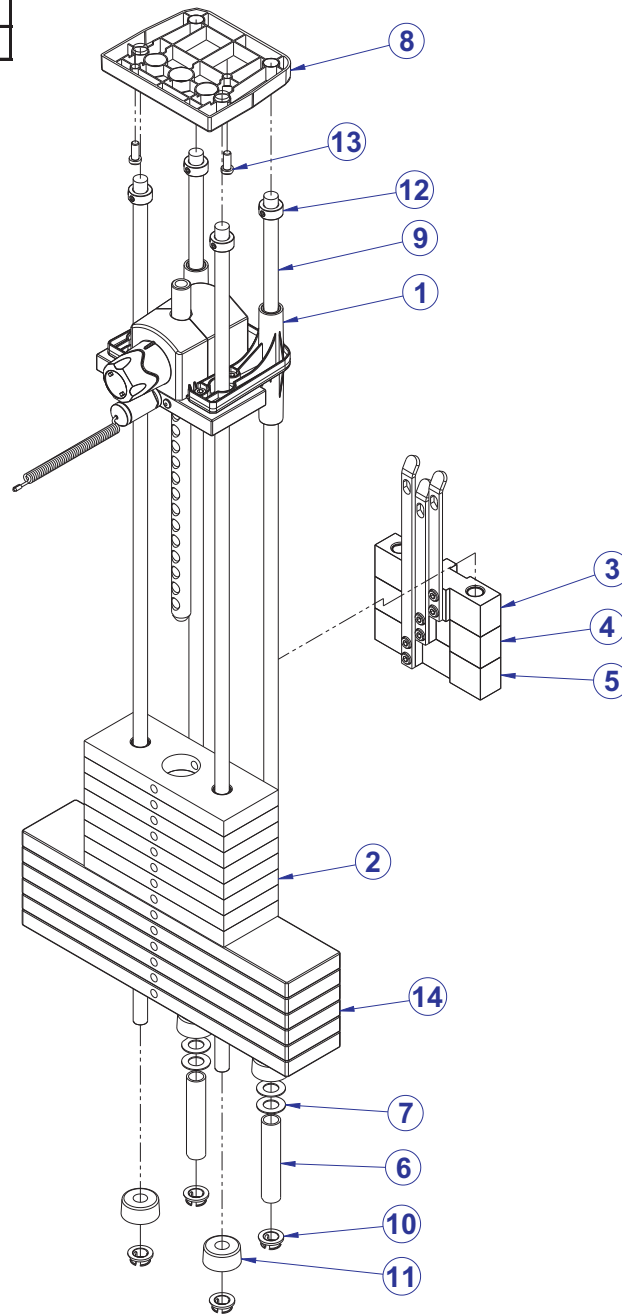


ITEM NO.	QTY.	PART NO.	DESCRIPTION
1	1	7968501	ASSY, FZ INC WEIGHT 5LB
2	1	7328201	BRKT, INCREMENT WT - 15 LB
3	2	3236202	SCREW, M10 X1.5 25MM

FZCP CHEST PRESS

OPTIONAL LIGHT MID-14 WEIGHT STACK ASSY. - 8866201

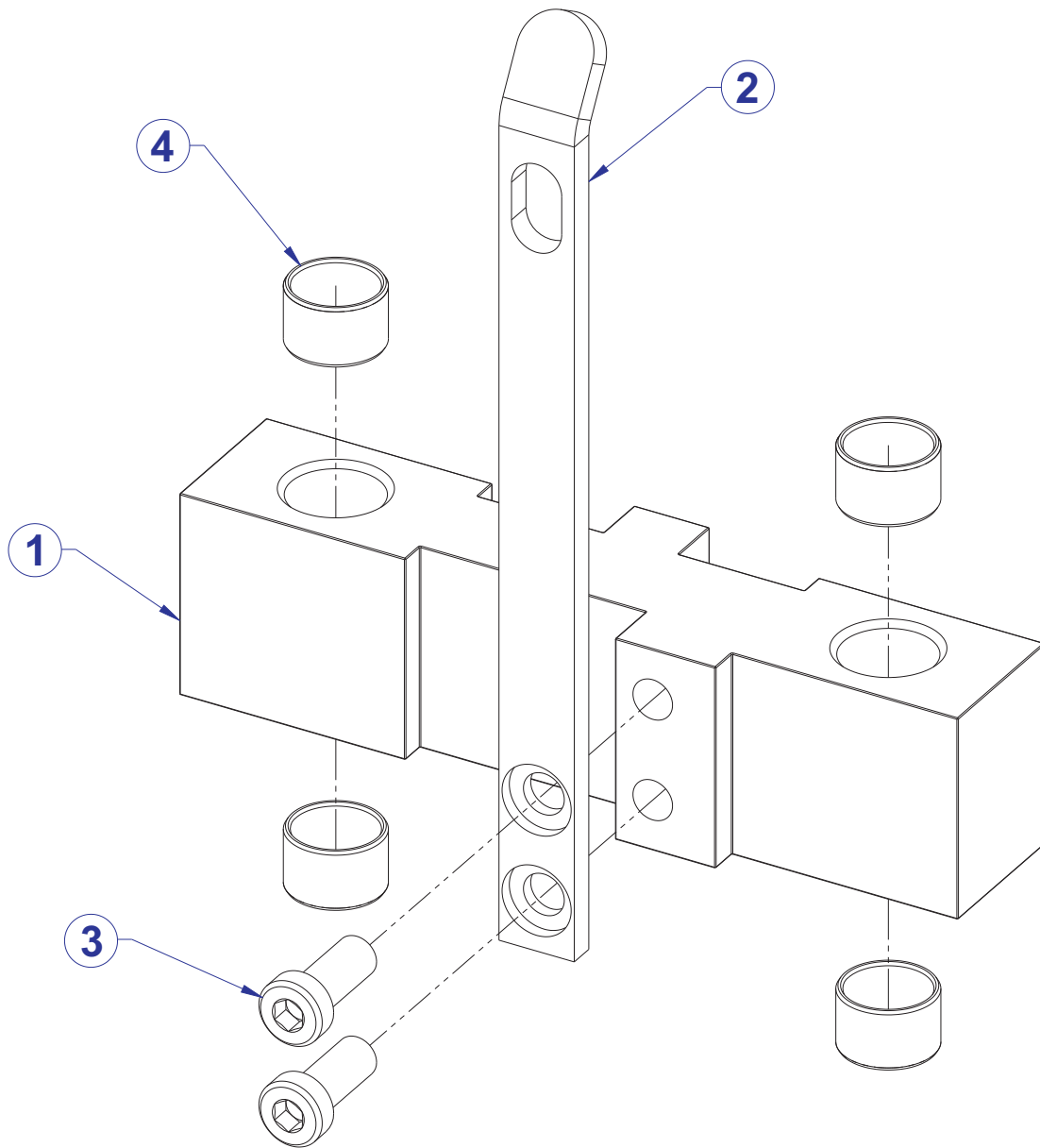
WEIGHT STACK LABELS	
8867001	LABEL, 310 LB STACK



ITEM NO.	QTY.	PART NO.	DESCRIPTION
1	1	7350701	ASSY, HEAD PLATE (14)
2	8	7353701	ASSY, 10 LB PLATE
3	1	8861301	ASSY, FZ INC WEIGHT - 2.5 LB
4	1	8861401	ASSY, FZ INC WEIGHT - 5 LB
5	1	8861501	ASSY, FZ INC WEIGHT - 7.5 LB
6	2	7328701	SPACER, INC WT STACK - 14 PLT
7	4	7351001	SPACER, INC WT STACK
8	1	7621101	RETAINER, GUIDE ROD - TOP
9	4	7328602	GUIDE ROD, .75 OD SOLID 53.50
10	4	7337901	BUSHING, GUIDE ROD
11	4	7352101	CUSHION, WEIGHT STACK
12	4	3103301	SHAFT COLLAR, 3/4 I.D. ZINC
13	2	3236202	SCREW, M10 X1.5 25MM
14	6	7328401	WEIGHT PLATE, 20 LB

FZCP CHEST PRESS

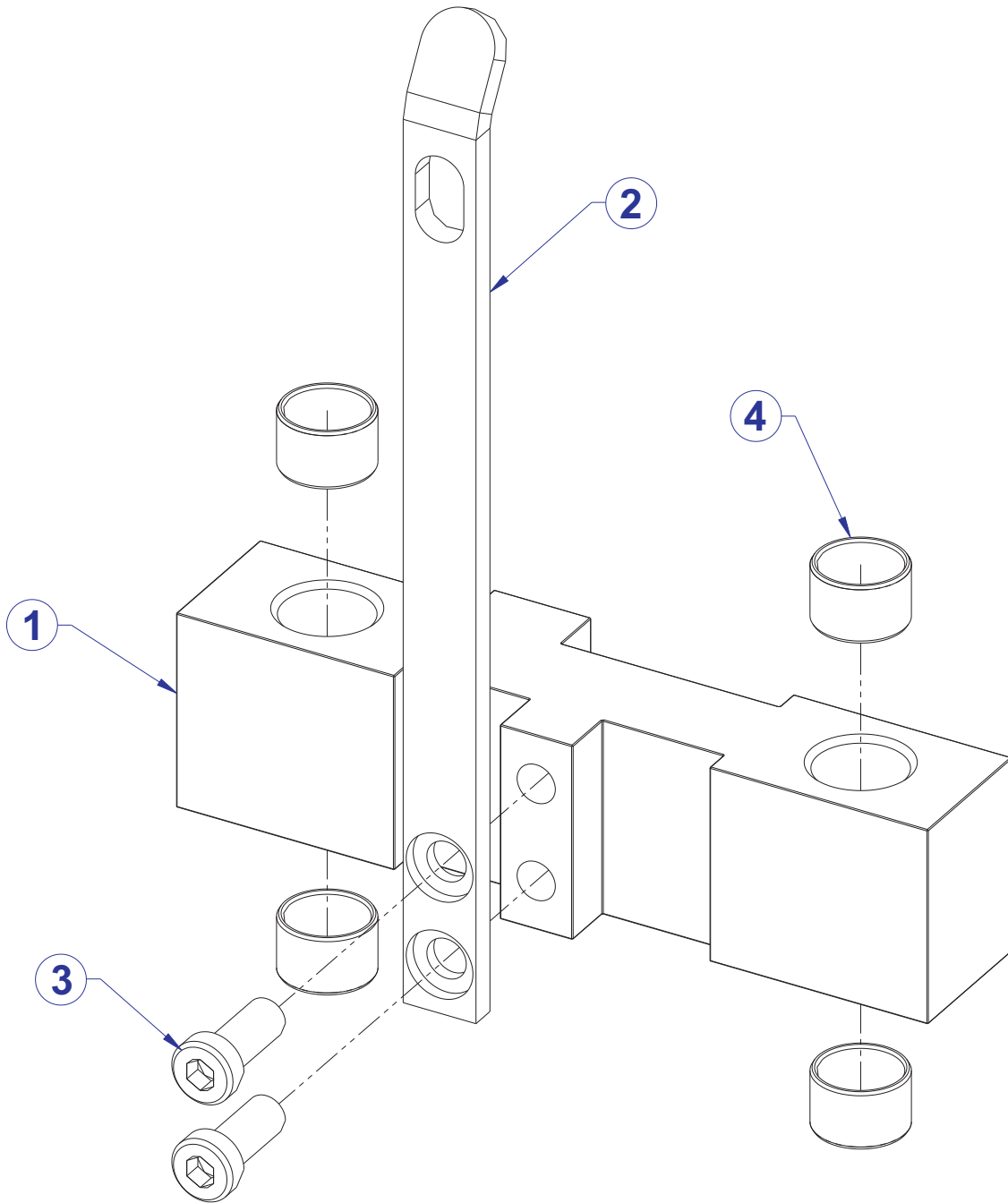
OPTIONAL 2.5 LB. INCREMENT WEIGHT ASSY. - 8861301



ITEM NO.	QTY.	PART NO.	DESCRIPTION
1	1	8861295	INCREMENT WEIGHT, FZ OPTIONAL - SG
2	1	7328001	BRKT, INCREMENT WT - 5 LB
3	2	3236202	SCREW, M10 X1.5 25MM
4	4	3202501	BEARING, SLEEVE 20 ID X 23.00 X 15 MM

FZCP CHEST PRESS

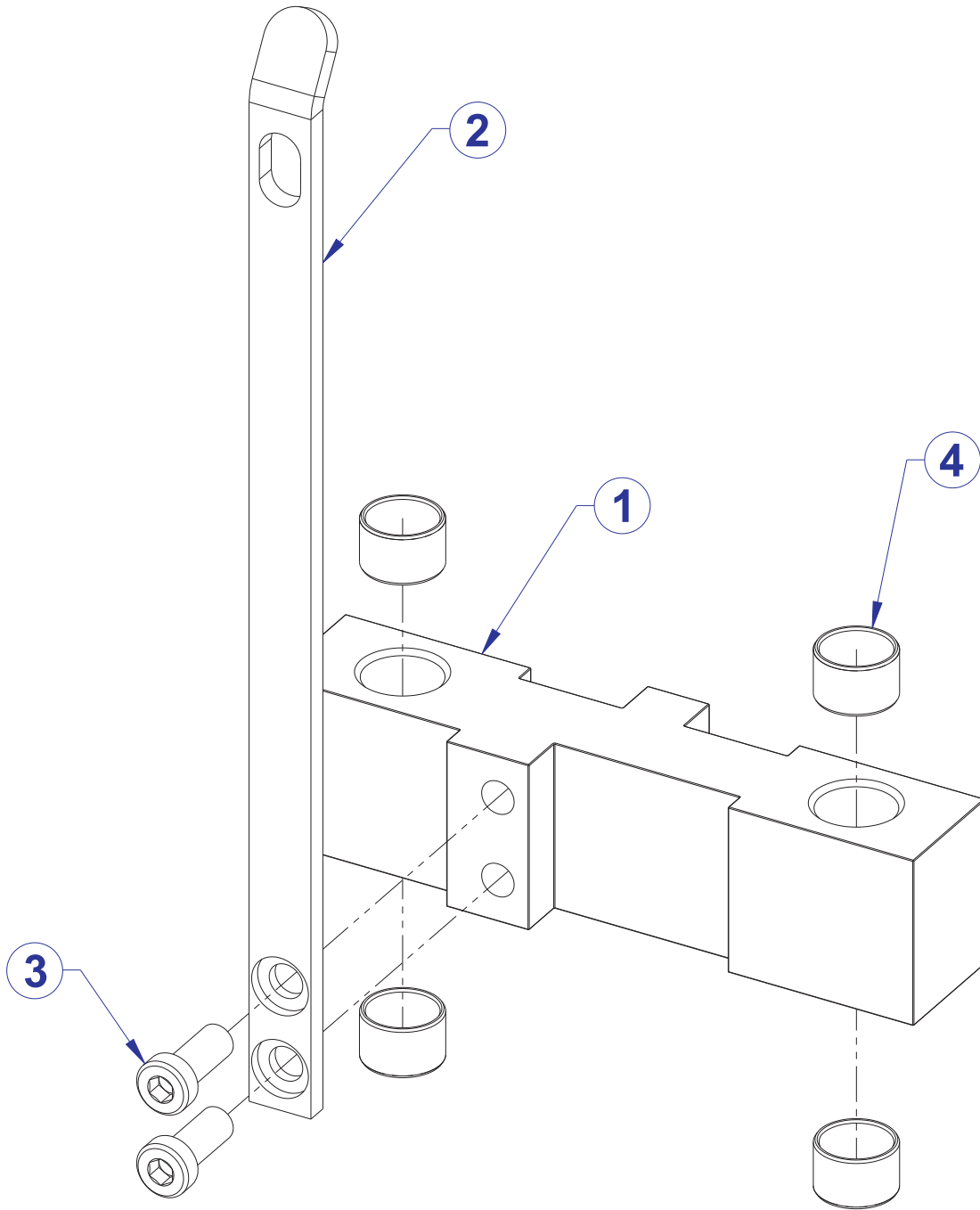
OPTIONAL 5 LB. INCREMENT WEIGHT ASSY. - 8861401



ITEM NO.	QTY.	PART NO.	DESCRIPTION
1	1	8861295	INCREMENT WEIGHT, FZ OPTIONAL - SG
2	1	7328101	BRKT, INCREMENT WT - 10 LB
3	2	3236202	SCREW, M10 X1.5 25MM
4	4	3202501	BEARING, SLEEVE 20 ID X 23.00 X 15 MM

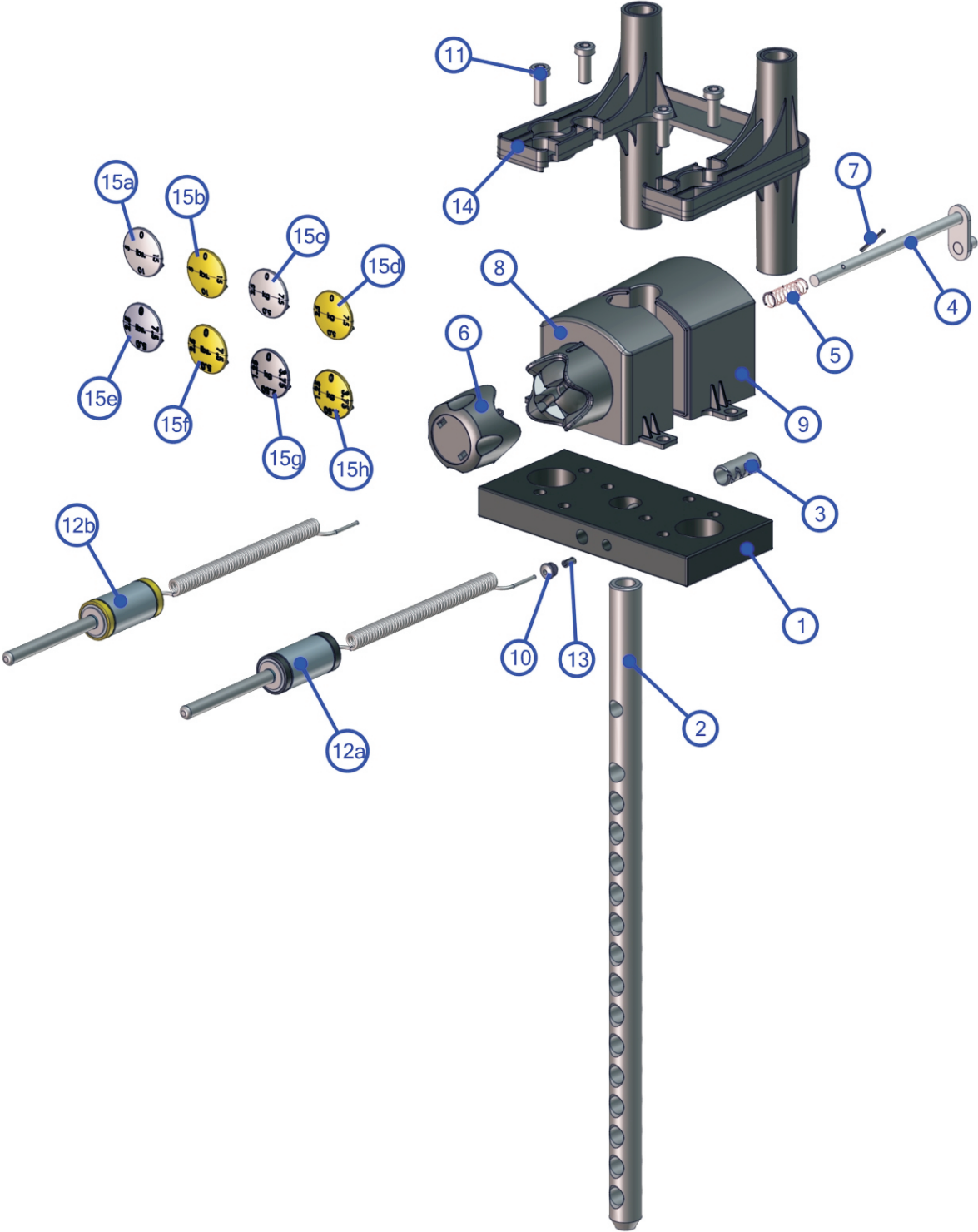
FZCP CHEST PRESS

OPTIONAL 7.5 LB. INCREMENT WEIGHT ASSY. - 8861501



ITEM NO.	QTY.	PART NO.	DESCRIPTION
1	1	8861295	INCREMENT WEIGHT, FZ OPTIONAL - SG
2	1	7328201	BRKT, INCREMENT WT - 15 LB
3	2	3236202	SCREW, M10 X1.5 25MM
4	4	3202501	BEARING, SLEEVE 20 ID X 23.00 X 15 MM

FZCP CHEST PRESS HEAD PLATE ASSEMBLY - 7350701



SEE PAGE 23 FOR LEGEND

FZCP CHEST PRESS HEAD PLATE ASSEMBLY LEGEND

ITEM NO.	QTY.	PART NO.	DESCRIPTION	WHERE USED	
1	1	7326701	HEAD PLATE	-	
2	1	7328901	STEM, 14 PLATE	-	
3	1	3236001	BUSHING, SPRING PIN	-	
4	1	7327201	WLDMT, INCREMENT WT PIN	-	
5	1	8024501	SPRING, 1/2 OD X 1-1/2	-	
6	1	7326101	KNOB, INC WT SELECTOR	-	
7*	1	3110008	ROLL PIN, 1/8 X 1-1/4	-	
8*	1	7326401	HOUSING, SELECTOR - FRONT	-	
9*	1	7326501	HOUSING, SELECTOR - REAR	-	
10	1	7356501	PLUG, LANYARD ATTACHMENT	-	
11	4	3236202	SCREW, M10 X1.5 25MM	-	
12**	a	1	7338101	ASSY, WT STACK SELECTOR PIN-SILVER	-
	b		7338103	ASSY, WT STACK SELECTOR PIN-YELLOW	-
13	1	7523601	CRIMP, CABLE	-	
14	1	8867301	ASSY, FZ, STABILIZER WITH BUSHINGS	-	
15**	a	1	7398601	CAP, SELECTOR KNOB - 5 LBS, SILVER	REG. STACK / LBS.
	b		7398603	CAP, FZ SELECTOR KNOB - 5 LBS, YELLOW	REG. STACK / LBS.
	c		7398701	CAP, FZ SELECTOR KNOB - 2.5 KG, SILVER	REG. STACK / KG.
	d		7398703	CAP, FZ SELECTOR KNOB - 2.5 KG, YELLOW	REG. STACK / KG.
	e		8865801	CAP, FZ SELECTOR KNOB - 2.5 LBS, SILVER	LIGHT STACK / LBS.
	f		8865803	CAP, FZ SELECTOR KNOB - 2.5 LBS, YELLOW	LIGHT STACK / LBS.
	g		8946501	CAP, FZ SELECTOR KNOB - 1.25 KG, SILVER	LIGHT STACK / KG.
	h		8946503	CAP, FZ SELECTOR KNOB - 1.25 KG, YELLOW	LIGHT STACK / KG.

* Kit exists for component set. See bulletin FZ02012701N

** Language specific/Weight stack item. Order separately-not part of assembly.

FZCP CHEST PRESS IMAGE

