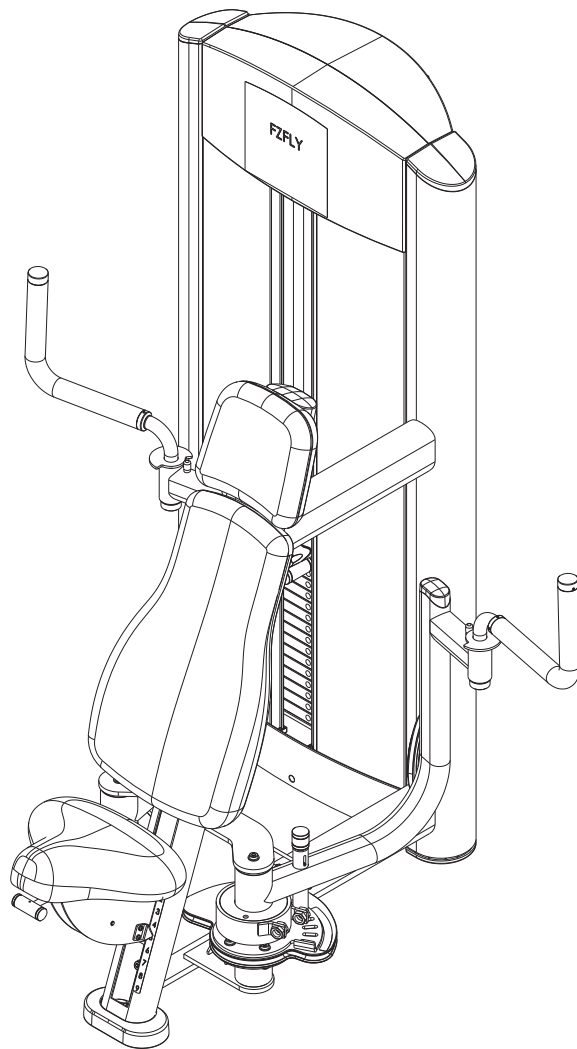


# Signature Series Single Station Fly

FZFLY

## Parts List



# FZFLY FLY CONTENTS

---

FRAME AND UPHOLSTERY COLORS..... 3

SHROUD OPTIONS..... 4

COMPONENT ASSEMBLY..... 5

COMPONENT ASSEMBLY II..... 6

COMPONENT ASSEMBLY LEGEND..... 7

SEAT CARRIAGE ASSEMBLY..... 8

SEAT CARRIAGE ASSEMBLY LEGEND..... 9

ADJUSTER HANDLE ASSEMBLY..... 10

MID-14 TOWER ASSEMBLY..... 11

STANDARD PLASTIC TOWER ASSEMBLY..... 12

OPTIONAL WRAPPED SHROUDS..... 13

MID-14 WEIGHT STACK ASSEMBLY..... 14

5 LB. INCREMENT WEIGHT ASSEMBLY..... 15

10 LB. INCREMENT WEIGHT ASSEMBLY..... 16

15 LB. INCREMENT WEIGHT ASSEMBLY..... 17

HEAD PLATE ASSEMBLY..... 18

HEAD PLATE ASSEMBLY LEGEND..... 19

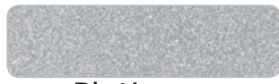
CABLE ROUTING..... 20

IMAGE..... 21

# FZFLY FLY FRAME AND UPHOLSTERY COLORS

---

## Strength Frame Colors



Platinum



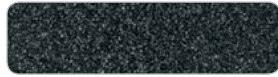
White



Black



Ice Blue Metallic



Midnight Metallic



Nickel



Blue



Red



Yellow



Candy Apple Red

Note: Include frame color in pick-slip notes when ordering frame assemblies or weldments.

## Strength Upholstery Colors



American Beauty Red 07



Azure 20



Black 01



Cranberry 04



Graphite 22



Hunter Green 13



Regimental Blue 14



Royal Blue 02



Slate 03



Wheat 21



Burgundy 29



Candy Apple Red 28



Chestnut 34



Concord 16



Crocus 19



Dove Gray 37



Emerald 27



Grotto 25



Gun Metal 39



Imperial Blue 33



Jade 26



Navy 32



Northwoods Green 05



Paprika 35



Plum 30



Putty 38



Space Blue 06



Suede 08



Terra Cotta 36



Turquoise 17

Note: Replace XX with above color suffix when ordering pads (ie. 74123XX = 7412301 Black)  
Use 99 suffix for custom upholstery.

# FZFLY FLY SHROUD OPTIONS

## STANDARD SHROUD NO WRAP

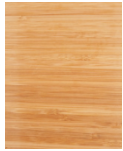


TRANSLUCENT



## OPTIONAL StackWraps™ SHROUD + WRAP

BAMBOO



BRONZE



ROSEWOOD



SKY



STAINLESS  
STEEL



STEM



## CO-BRANDED StackWraps™

SHROUD + WRAP

(refer to co-branded parts list)



PLANET FITNESS

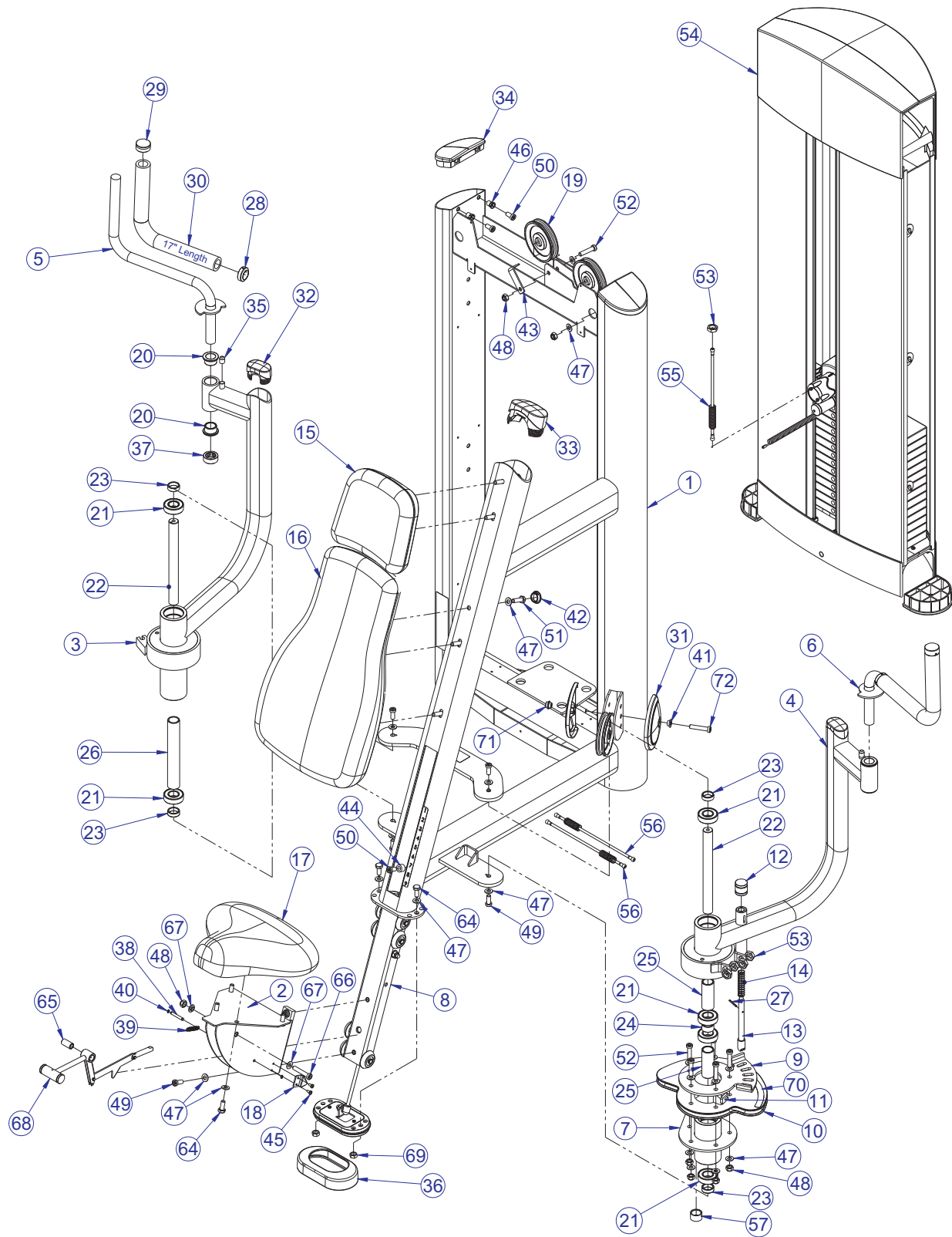


BLINK FITNESS



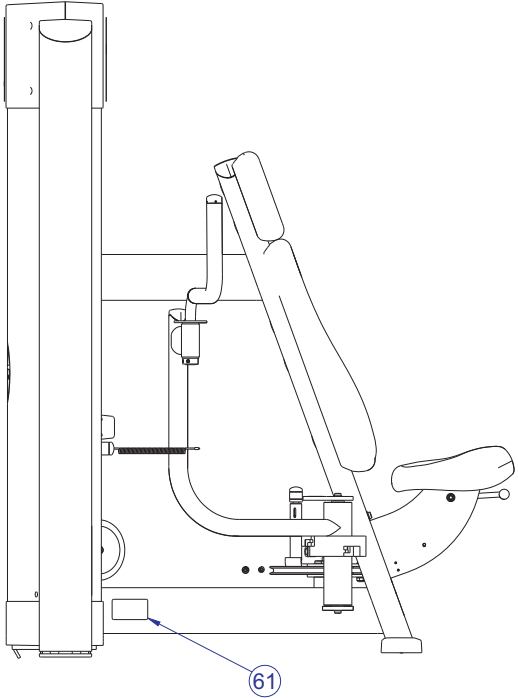
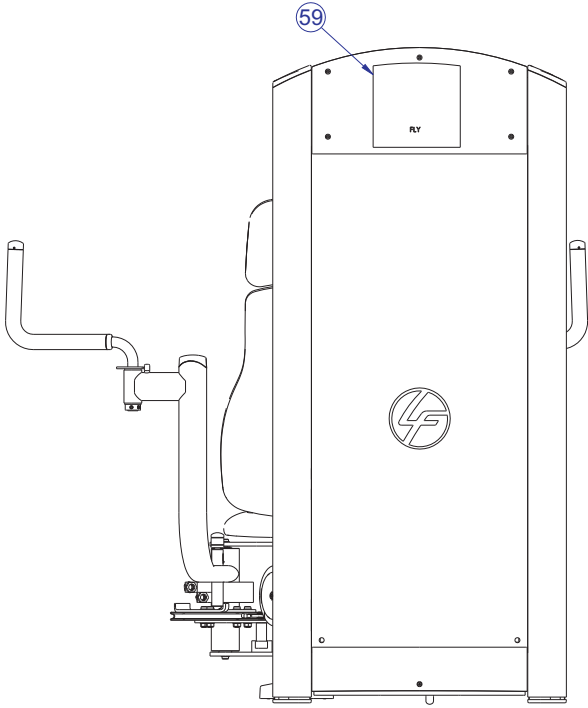
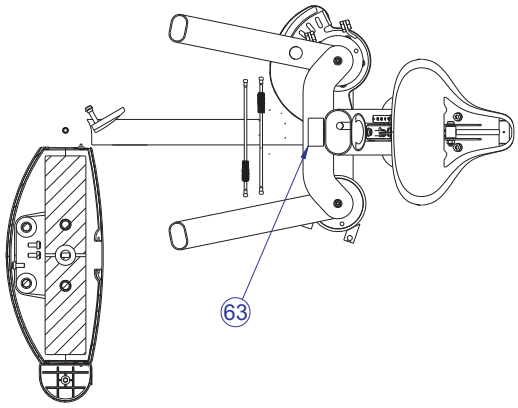
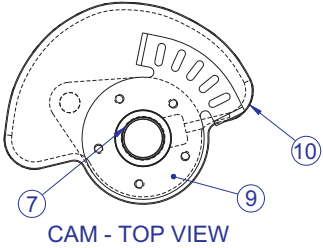
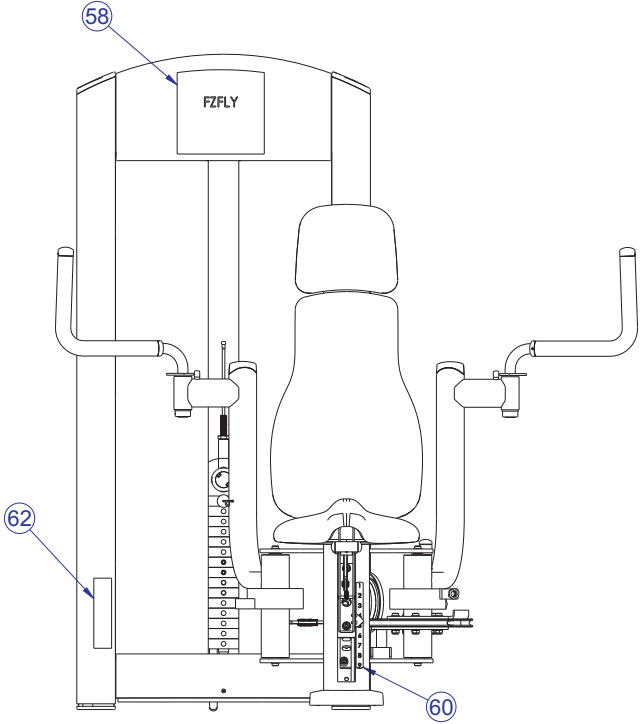
RETRO FITNESS

# FZFLY FLY COMPONENT ASSEMBLY



SEE PAGE 7 FOR LEGEND

# FZFLY FLY COMPONENT ASSEMBLY II



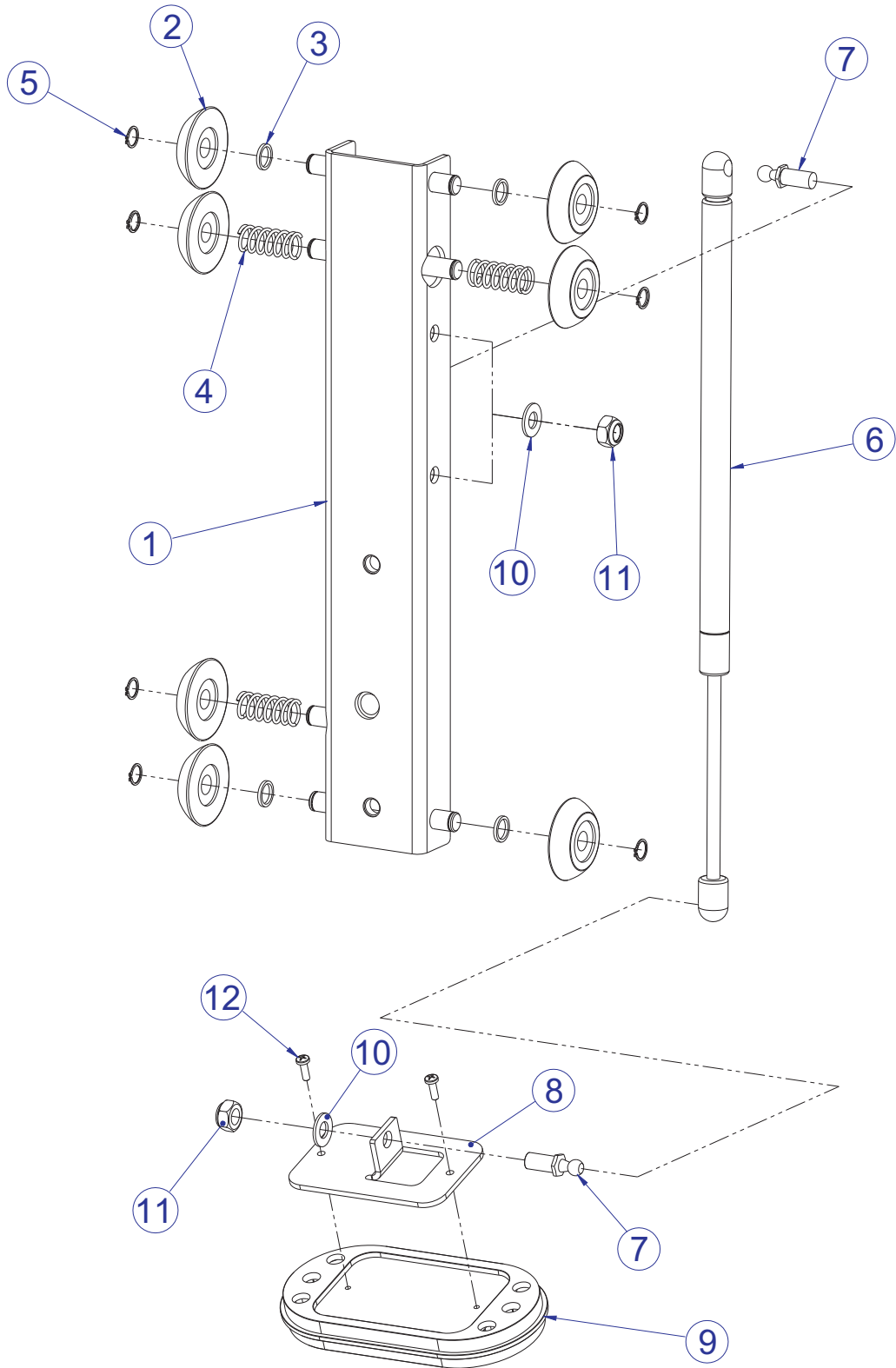
SEE PAGE 7 FOR LEGEND

# FZFLY FLY COMPONENT ASSEMBLY LEGEND

ITEM NO.	QTY.	PART NO.	DESCRIPTION
1	1		WLDMT, FZFLY FRAME
2	1	7330501	WLDMT, FZ SEAT SUPPORT
3	1	7485801	WLDMT, FZFLY PRESS ARM - RT
4	1	7485901	WLDMT, FZFLY PRESS ARM - LT
5	1	7486001	WLDMT, FZFLY HANDLE - RT
6	1	7486101	WLDMT, FZFLY HANDLE - LT
7	1	7486901	WLDMT, FZFLY PIVOT HSNG
8	1	7911101	ASSY, SEAT CARRIAGE
9	1	7487101	BRKT, CAM - TOP
10	1	7487201	CAM, FZFLY
11	1	7342201	PLATE, CABLE END
12	1	7424801	KNOB, POP PIN, SHADOW GRAY
		7424803	KNOB, POP PIN, YELLOW
13	1	7795201	PIN, SPRING - RATCHET
14	1	7351501	SPRING; PULL PIN LARGE
15	1	74743XX	PAD, HEAD REST
16	1	74741XX	PAD, LARGE BACK
17	1	72971XX	PAD, SEAT SADDLE
18	1	7425295	BRKT, SEAT INDICATOR
19	3	3237801	PULLEY, 4.5" OD
20	4	3104903	1.00" ID 1.25" OD BRONZ BUSHING
21	6	3235601	BEARING, 6205 BALL
22	2	7316506	SHAFT, 25MM X 10.331
23	4	7330001	SPACER, INTERNAL X .403
24	1	7330002	SPACER, INTERNAL X .653
25	2	7330003	SPACER, INTERNAL X 3.265
26	1	7330008	SPACER, INTERNAL X 8.364
27	1	3110008	ROLL PIN, 1/8 X 1-1/4
28	2	7662802	RING, GRIP 1.50 OD
29	2	7662902	CAP, GRIP 1.50 OD
30	2	3235802	GRIP, 1.00 ID X .25 X 17.50
31	2	8094101	COVER, PULLEY-BOLTED PARTIAL
32	2	7333801	CAP, SMALL FLOV- END
33	1	7333901	CAP, LARGE FLOV- END
34	2	7326201	CAP, D-TUBE - TOP
35	2	3238501	CAP, 1/2 X 5/8
36	1	7419601	COVER, FOOT-20 DEG.
37	2	7435301	COLLAR, SHAFT 1.020 ID
38	1	7407502	PIN, LINK
39	1	3239201	SPRING, EXT, .375 X .049 X 2.00
40	2	3232401	RING, RETAINING, EXTERNAL
41	1	7630101	RETAINER, CM/M/J, PULLEY
42	5	3237403	PLUG, 1" HOLE
43	1	6757701	CLIP, CABLE 2-7/8 X 1 X 1
44	1	7385203	SPACER, .406 X .750 X .500
45	2	3239101	SCREW, M5X10 PHL PAN TT ST
46	4	3238601	M10X1.5 THREADED INSERT (HEX)
47	30	3236601	WASHER, 3/8 SAE SS
48	8	3236801	NUT, M10 HEX NYLOCK SS
49	6	3236202	SCREW, M10 X1.5 25MM
50	5	3236201	SCREW, M10 X1.5 20MM
51	5	3251204	SCREW, M10 X1.5 X 35MM HEX ZN
52	7	3236206	SCREW, M10 X1.5 45MM
53	5	3236902	NUT, M16 X 2 HEX JAM SS
54	1	7420401	ASSY, MID TOWER-14
55	1	7423716	CABLE, FZFLY 128-1/4
56	2	7573702	CABLE, FZFLY 29-1/2
57	1	7690101	BUMPER, SLEEVE - 1 INCH DIA
58	1	7602901	LABEL, FZFLY PLACARD
59	1	7603001	LABEL, FZFLY LOGO
60	1	7524501	LABEL, 1-9 STRAIGHT
61	1	7571301	LABEL, SERIAL NUMBER
62	1	7422004	LABEL, 2" ASTM WARN
63	1	7422003	LABEL, MOVING PARTS
64	6	3251202	SCREW, M10 X1.5 X 25MM HEX ZN
65	1	7776501	SHAFT, .625 X .406 X 1.200
66	1	3236208	SCREW, M10 X1.5 55MM
67	2	7776401	SPACER, FLANGE .406 X .495 X .81
68	1	77780XX	ASSY, FZ ADJUSTER HANDLE
69	2	3254703	NUT, M10 X 1.5 HEX ZINC
70	1	7805901	LABEL, FZFLY 1-5 CURVED
71	1	7335401	NUT, M10 X 1.5 SOCKET HEAD
72	1	3236207	SCREW, M10 X1.5 50MM

# FZFLY FLY SEAT CARRIAGE ASSEMBLY - 7911101

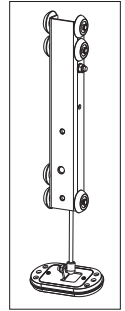
---



SEE PAGE 9 FOR LEGEND

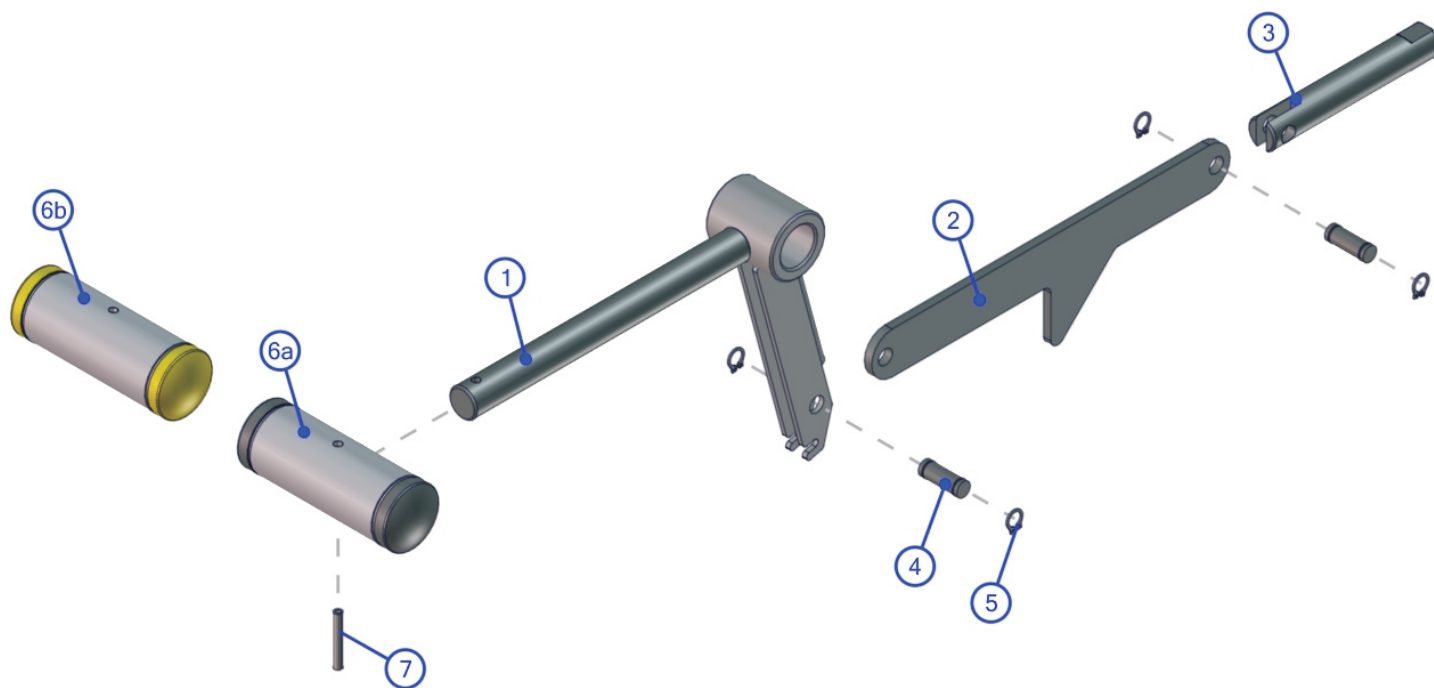


# FZFLY FLY SEAT CARRIAGE ASSEMBLY LEGEND



ITEM NO.	QTY.	PART NO.	DESCRIPTION
1	1	7911295	WLDMT, SEAT CARRIAGE SHDW GRAY
2	7	7889701	ROLLER, SEAT CARRIAGE
3	4	7911901	SPACER, .625 DIA X 16 GA.
4	3	7912001	SPRING, SEAT CARRIAGE
5	7	3232408	RING, BRE .443, 5100-46, ST,PP,B
6	1	3235703	SPRING, GAS 80N
7	2	7414301	STUD, M10 BALL END M10 X 1.5
8	1	7339401	BRACKET, GAS SPRING
9	1	7334001	FOOT, 2.50 X 4.49 FLOV
10	2	3236601	WASHER, 3/8 SAE SS
11	2	3236801	NUT, M10 HEX NYLOCK SS
12	2	3241201	M4 PHL PAN F ST ZN

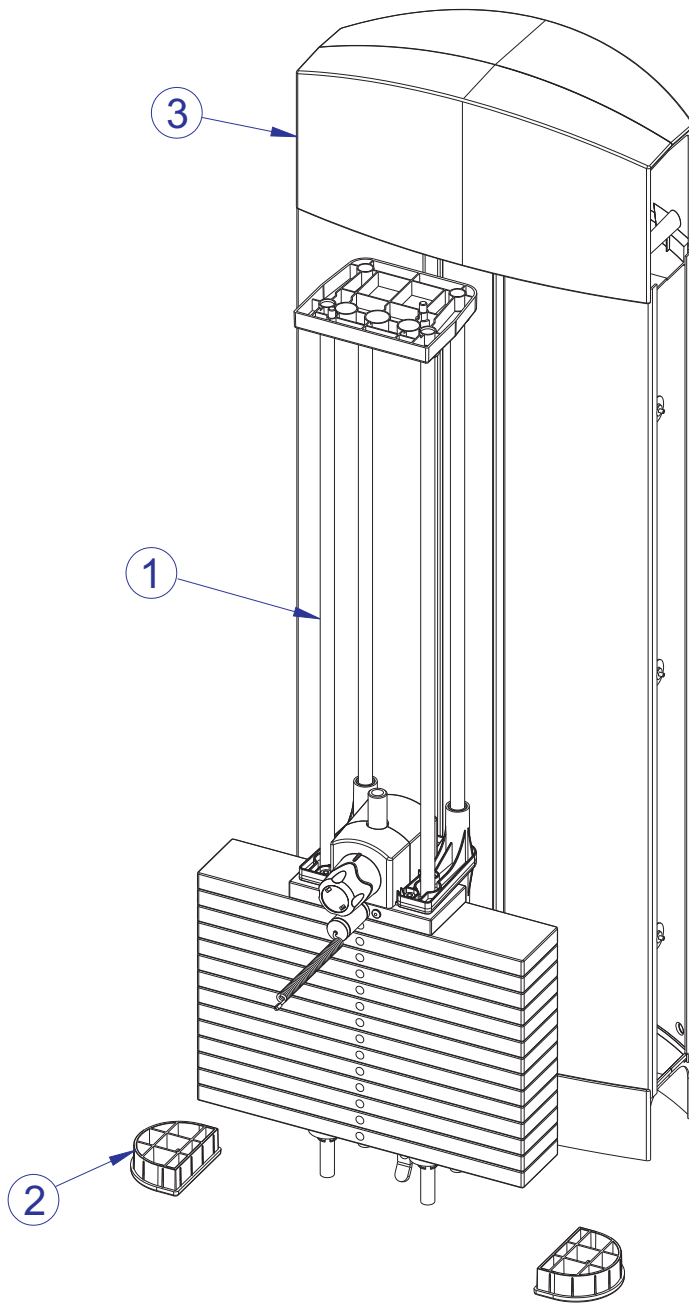
# FZFLY FLY ADJUSTER HANDLE ASSEMBLY - 77780XX



ITEM NO.	QTY.	PART NO.	DESCRIPTION
1	1	7777595	WLDMT, FZ SEAT ADJ HANDLE SHADOW GRAY
2	1	7331801	LINK, ADJUSTER
3	1	7331601	PIN, INDEX
4	2	7407501	PIN, LINK
5	4	3232401	RING, RETAINING, EXTERNAL
6	a	7287901	HANDLE, ADJUSTER - SILVER
	b	7287903	HANDLE, ADJUSTER - YELLOW
7	1	3110010	ROLL PIN, 1/8 X 7/8

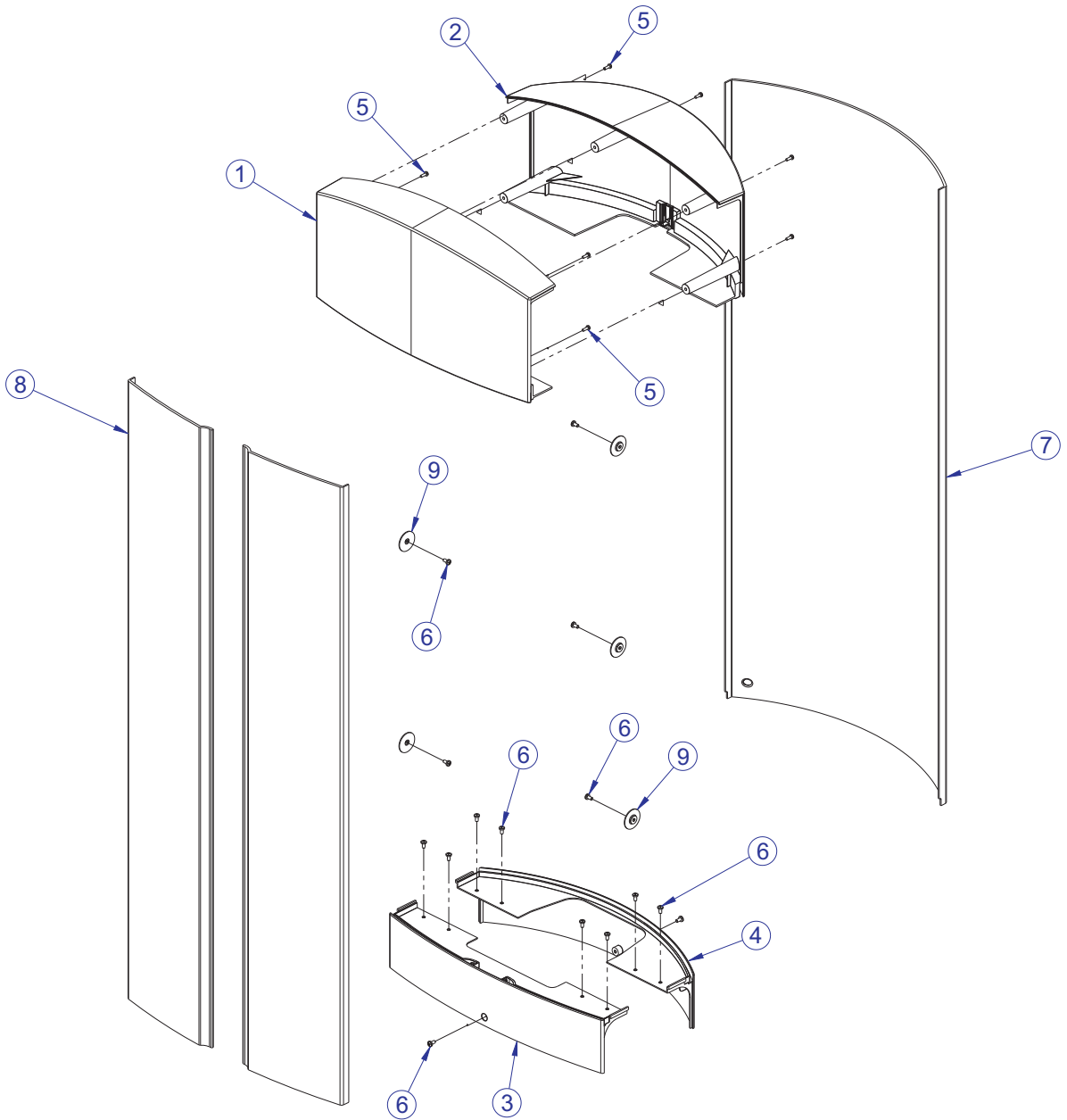
# FZFLY FLY MID-14 TOWER ASSEMBLY - 7420401

---



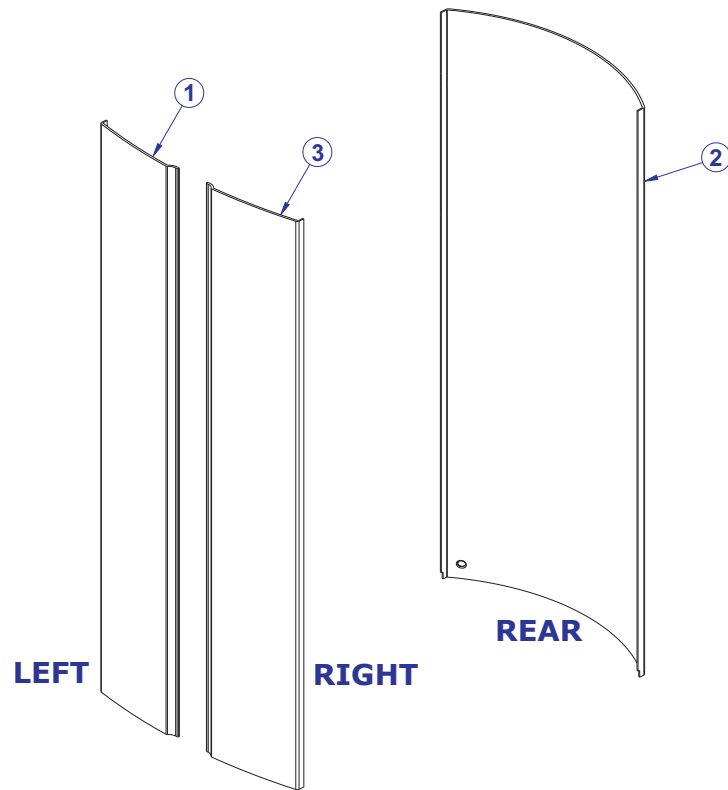
ITEM NO.	QTY.	PART NO.	DESCRIPTION
1	1	7420101	ASSY, WEIGHT STACK MID-14
2	2	7326301	CAP, D-TUBE-BTM
3	1	7419801	ASSY, TOWER PLASTICS-MID


# FZFLY FLY STANDARD PLASTIC TOWER ASSEMBLY - 7419801





ITEM NO.	QTY.	PART NO.	DESCRIPTION
1	1	7318601	COVER, TOWER- TOP FRONT
2	1	7318701	COVER, TOWER- TOP REAR
3	1	7318801	COVER, TOWER- BOTTOM FRONT
4	1	7318901	COVER, TOWER- BOTTOM REAR
5	9	3236501	M4 X 0.7 PHL PAN MS ST ZN
6	16	3239101	SCREW, M5X10 PHL PAN TT ST
7	1	7765701	SHROUD, TOWER- REAR SHORT
8	2	7765601	SHROUD, TOWER- FRT SHORT RH
9	6	7583501	RETAINER, FZ SHROUD


# FZFLY FLY OPTIONAL WRAPPED SHROUDS





BAMBOO		ITEM NO.	QTY.	PART NO.	DESCRIPTION
		1	1	8954201	SHROUD, FZ, FNT, SRT, LT -BAMBOO
		2	1	8949101	SHROUD, FZ, REAR, SRT -BAMBOO
		3	1	8949001	SHROUD, FZ, FNT, SRT, RT -BAMBOO

SKY		ITEM NO.	QTY.	PART NO.	DESCRIPTION
		1	1	8954301	SHROUD, FZ, FNT, SRT, LT -SKY
		2	1	8949301	SHROUD, FZ, REAR, SRT -SKY
		3	1	8949201	SHROUD, FZ, FNT, SRT, RT -SKY

BRONZE		ITEM NO.	QTY.	PART NO.	DESCRIPTION
		1	1	8954401	SHROUD, FZ, FNT, LT - BRONZE
		2	1	8949501	SHROUD, FZ, REAR -BRONZE
		3	1	8949401	SHROUD, FZ, FNT, SRT, RT -BRONZE

STEM		ITEM NO.	QTY.	PART NO.	DESCRIPTION
		1	1	8954501	SHROUD, FZ, FNT, SRT, LT -STEM
		2	1	8949701	SHROUD, FZ, REAR, SRT -STEM
		3	1	8949601	SHROUD, FZ, FNT, SRT, RT -STEM

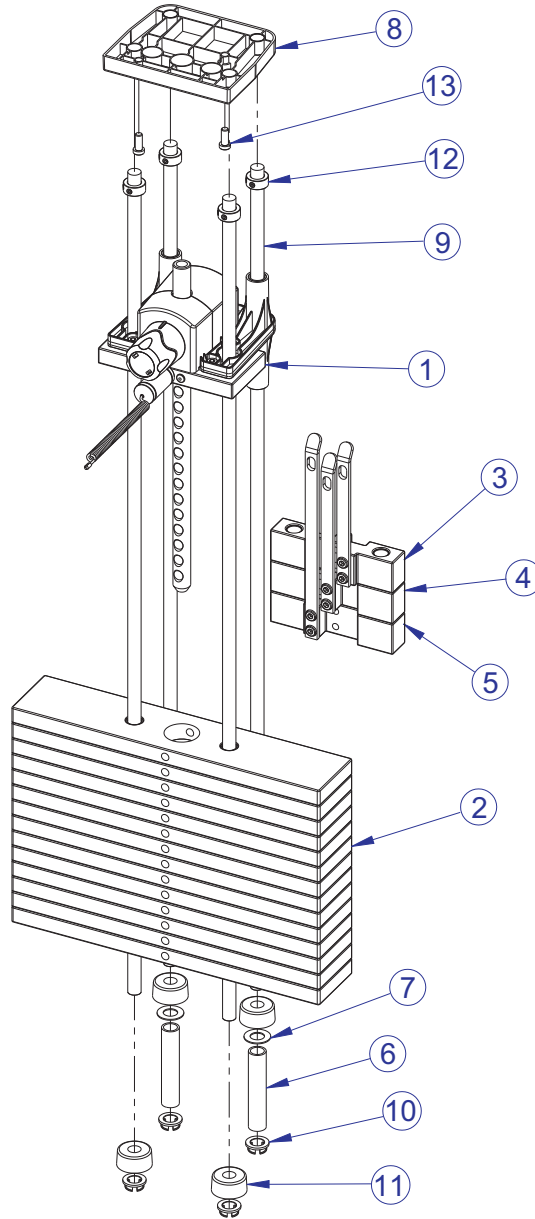
ROSEWOOD		ITEM NO.	QTY.	PART NO.	DESCRIPTION
		1	1	8954601	SHROUD, FZ, FNT, SRT, LT -ROSEWOOD
		2	1	8949901	SHROUD, FZ, REAR, SRT -ROSEWOOD
		3	1	8949801	SHROUD, FZ, FNT, SRT, RT -ROSEWOOD

STAINLESS STEEL		ITEM NO.	QTY.	PART NO.	DESCRIPTION
		1	1	8954701	SHROUD, FZ, FNT, SRT, LT -STAINLESS STEEL
		2	1	8950101	SHROUD, FZ, REAR, SRT -STAINLESS STEEL
		3	1	8950001	SHROUD, FZ, FNT, SRT, RT-STAINLESS STEEL

# FZFLY FLY MID-14 WEIGHT STACK ASSEMBLY - 7420101

## WEIGHT STACK LABELS

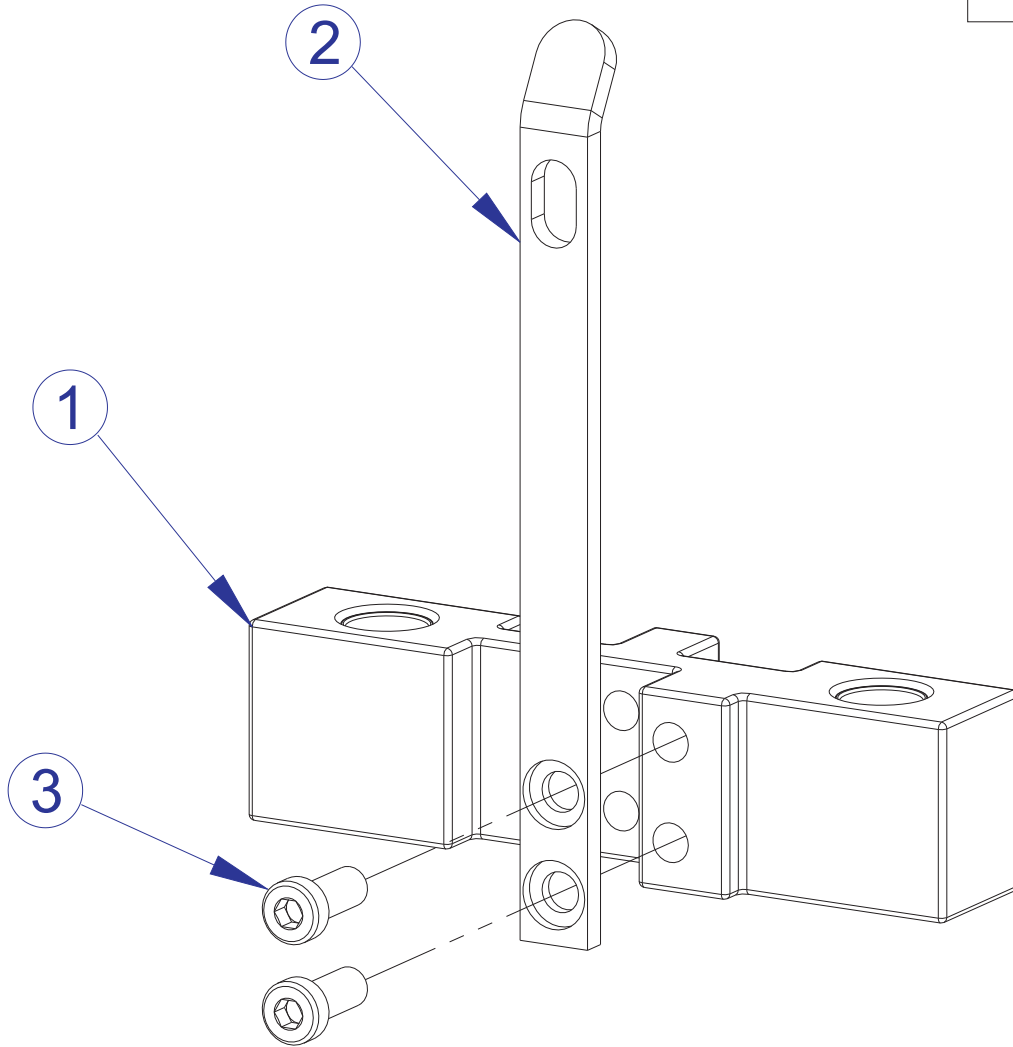
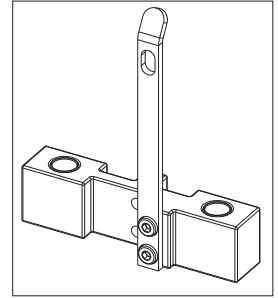
7927201	LABEL, 390 LB STACK
7927301	LABEL, 195 KG STACK



ITEM NO.	QTY.	PART NO.	DESCRIPTION
1	1	7350701	ASSY, HEAD PLATE (14)
2	14	7328401	WEIGHT PLATE, 20 LB
3	1	7327601	ASSY, INCREMENT WT-5LB
4	1	7327701	ASSY, INCREMENT WT-10LB
5	1	7327801	ASSY, INCREMENT WT-15LB
6	2	7328701	SPACER, INC WT STACK 14 PLT
7	2	7351001	SPACER, INC WT STACK
8	1	7621101	RETAINER, GUIDE ROD-TOP
9	4	7328602	GUIDE ROD, .75 OD SOLID X 53.50
10	4	7337901	BUSHING, GUIDE ROD
11	4	7352101	CUSHION, WEIGHT STACK
12	4	3103301	SHAFT COLLAR, 3/4" ID ZINC
13	2	3236202	M10 X 1.5 X 25 HXS SOC CS SS

# FZFLY FLY

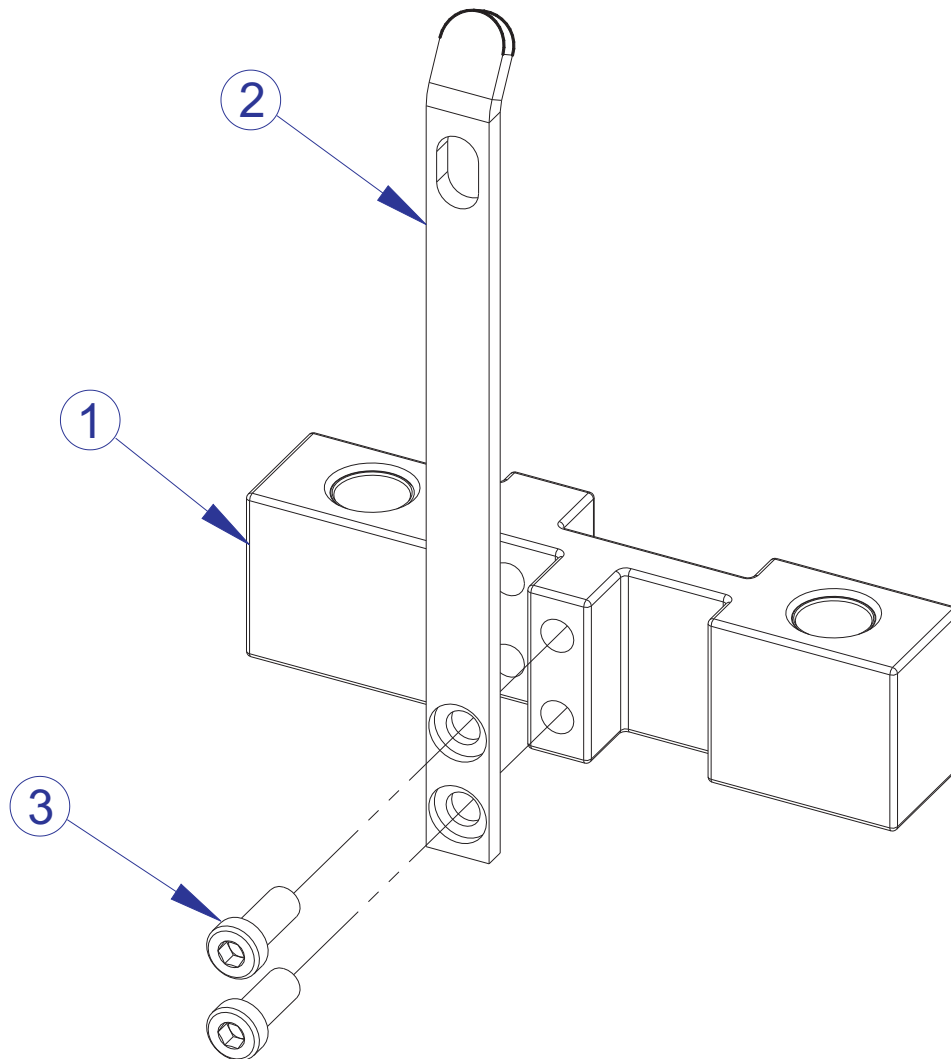
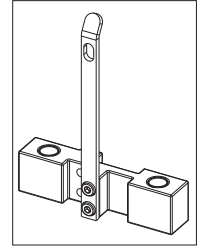
## 5 LB. INCREMENT WEIGHT ASSEMBLY - 7327601



ITEM NO.	QTY.	PART NO.	DESCRIPTION
1	1	7968501	ASSY, FZ INC WEIGHT 5LB
2	1	7328001	BRKT, INCREMENT WT - 5 LB
3	2	3236202	SCREW, M10 X1.5 25MM

# FZFLY FLY

## 10 LB. INCREMENT WEIGHT ASSEMBLY - 7327701

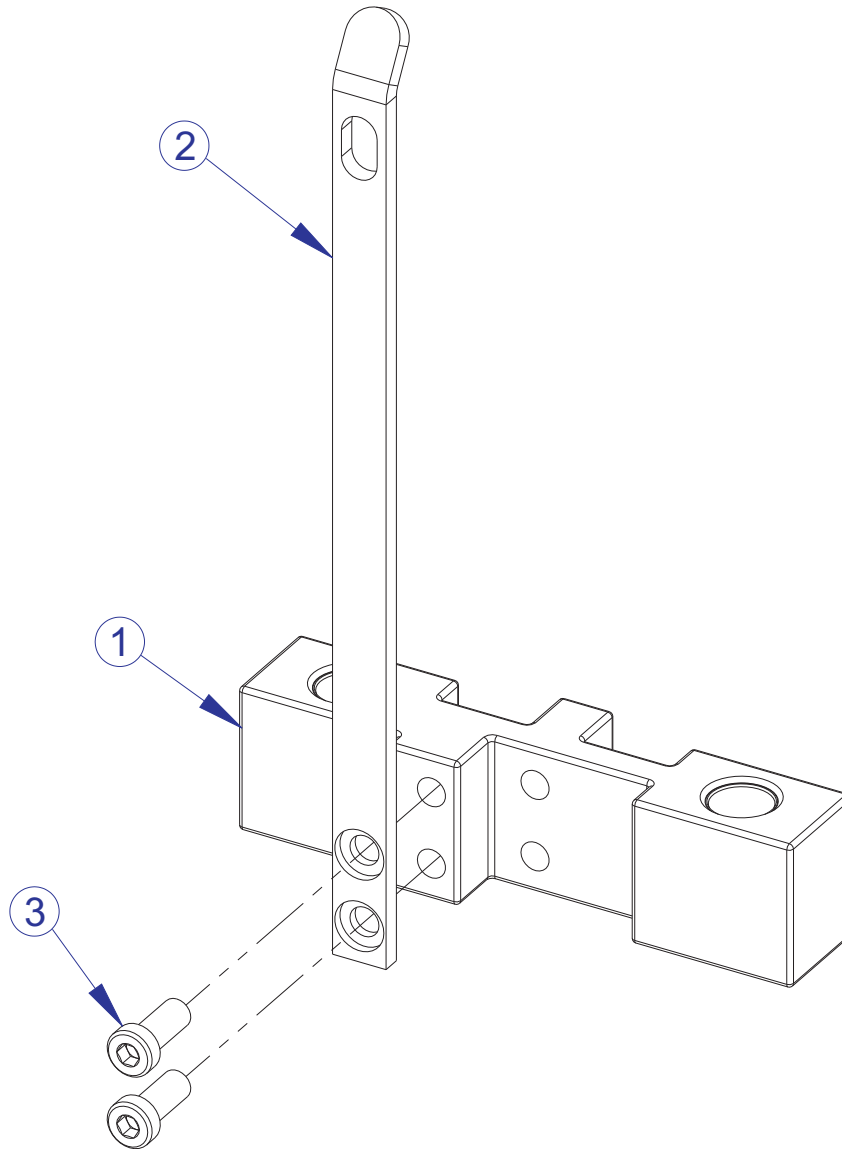
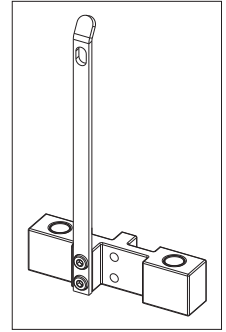


ITEM NO.	QTY.	PART NO.	DESCRIPTION
1	1	7968501	ASSY, FZ INC WEIGHT 5LB
2	1	7328101	BRKT, INCREMENT WT - 10 LB
3	2	3236202	SCREW, M10 X1.5 25MM



# FZFLY FLY

## 15 LB. INCREMENT WEIGHT ASSEMBLY - 7327801

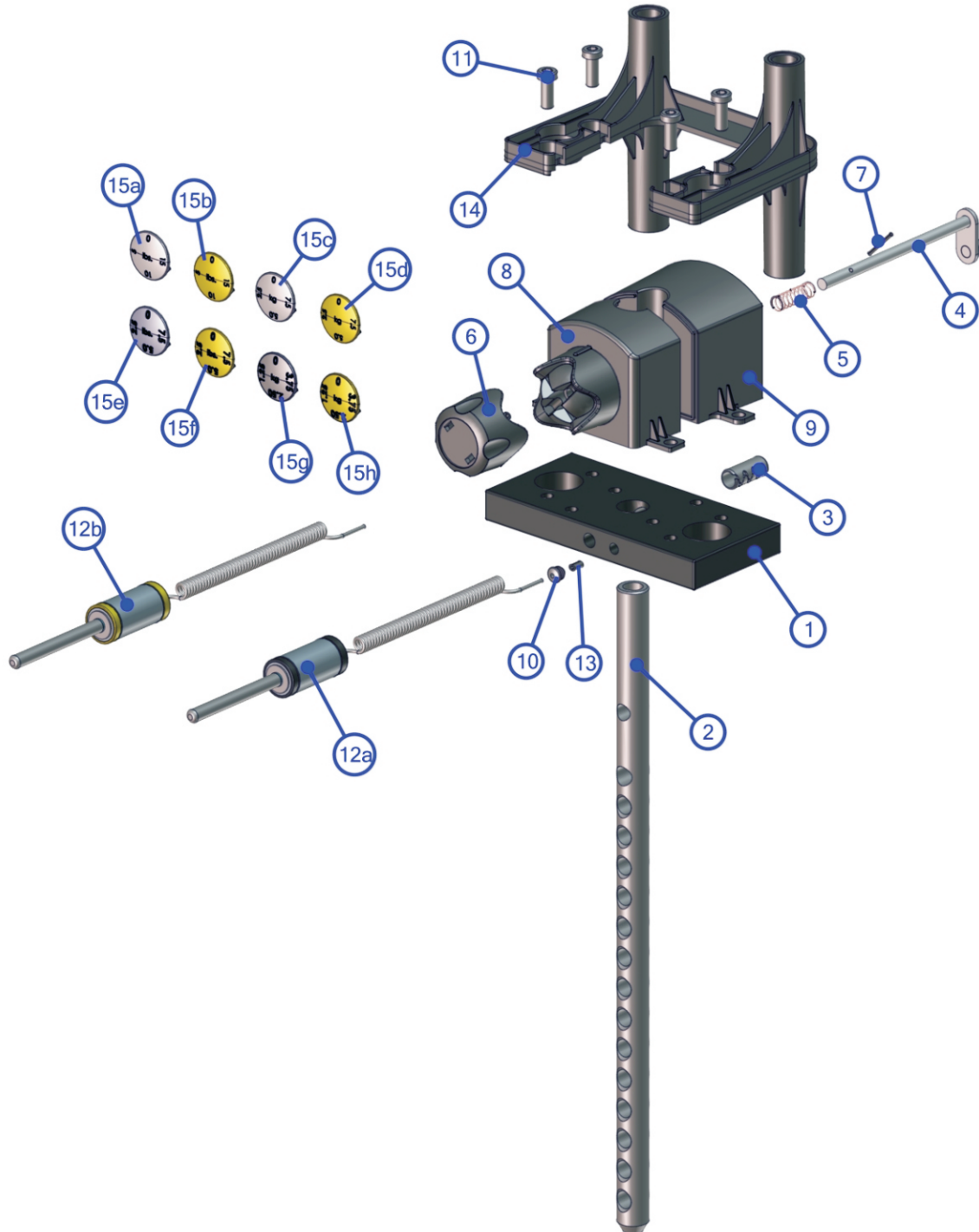


ITEM NO.	QTY.	PART NO.	DESCRIPTION
1	1	7968501	ASSY, FZ INC WEIGHT 5LB
2	1	7328201	BRKT, INCREMENT WT - 15 LB
3	2	3236202	SCREW, M10 X1.5 25MM

# FZFLY FLY HEAD PLATE ASSEMBLY - 7350701

## WEIGHT STACK LABELS

7927201	LABEL, 390 LB STACK
7927301	LABEL, 195 KG STACK



SEE PAGE 19 FOR LEGEND

# FZFLY FLY HEAD PLATE ASSEMBLY LEGEND

---

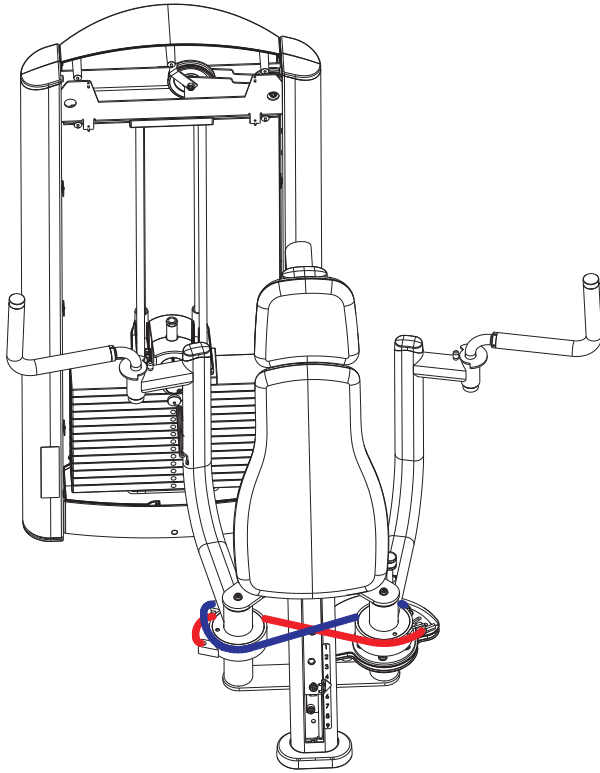
ITEM NO.	QTY.	PART NO.	DESCRIPTION	WHERE USED	
1	1	7326701	HEAD PLATE	-	
2	1	7328901	STEM, 14 PLATE	-	
3	1	3236001	BUSHING, SPRING PIN	-	
4	1	7327201	WLDMT, INCREMENT WT PIN	-	
5	1	8024501	SPRING, 1/2 OD X 1-1/2	-	
6	1	7326101	KNOB, INC WT SELECTOR	-	
7*	1	3110008	ROLL PIN, 1/8 X 1-1/4	-	
8*	1	7326401	HOUSING, SELECTOR - FRONT	-	
9*	1	7326501	HOUSING, SELECTOR - REAR	-	
10	1	7356501	PLUG, LANYARD ATTACHMENT	-	
11	4	3236202	SCREW, M10 X1.5 25MM	-	
12**	a	1	7338101	ASSY, WT STACK SELECTOR PIN-SILVER	-
	b		7338103	ASSY, WT STACK SELECTOR PIN-YELLOW	-
13	1	7523601	CRIMP, CABLE	-	
14	1	8867301	ASSY, FZ, STABILIZER WITH BUSHINGS	-	
15**	a	1	7398601	CAP, SELECTOR KNOB - 5 LBS, SILVER	REG. STACK / LBS.
	b		7398603	CAP, FZ SELECTOR KNOB - 5 LBS, YELLOW	REG. STACK / LBS.
	c		7398701	CAP, FZ SELECTOR KNOB - 2.5 KG, SILVER	REG. STACK / KG.
	d		7398703	CAP, FZ SELECTOR KNOB - 2.5 KG, YELLOW	REG. STACK / KG.
	e		8865801	CAP, FZ SELECTOR KNOB - 2.5 LBS, SILVER	LIGHT STACK / LBS.
	f		8865803	CAP, FZ SELECTOR KNOB - 2.5 LBS, YELLOW	LIGHT STACK / LBS.
	g		8946501	CAP, FZ SELECTOR KNOB - 1.25 KG, SILVER	LIGHT STACK / KG.
	h		8946503	CAP, FZ SELECTOR KNOB - 1.25 KG, YELLOW	LIGHT STACK / KG.

\* Kit exists for component set. See bulletin FZ02012701N

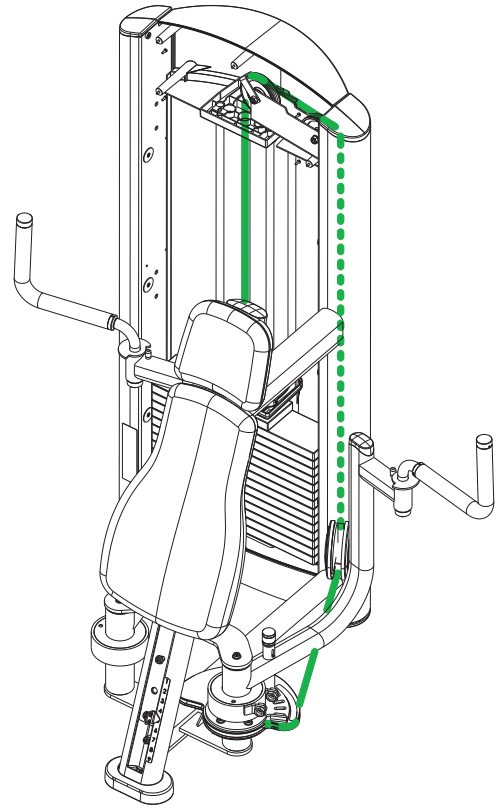
\*\* Language specific/Weight stack item. Order separately-not part of assembly.

# FZFLY FLY CABLE ROUTING

---



7573702 CABLE,  
FZFLY X 29-1/2  
QTY. 2



7423716 CABLE,  
FZFLY X 128-1/4  
QTY. 1

FZFLY FLY  
IMAGE

---

