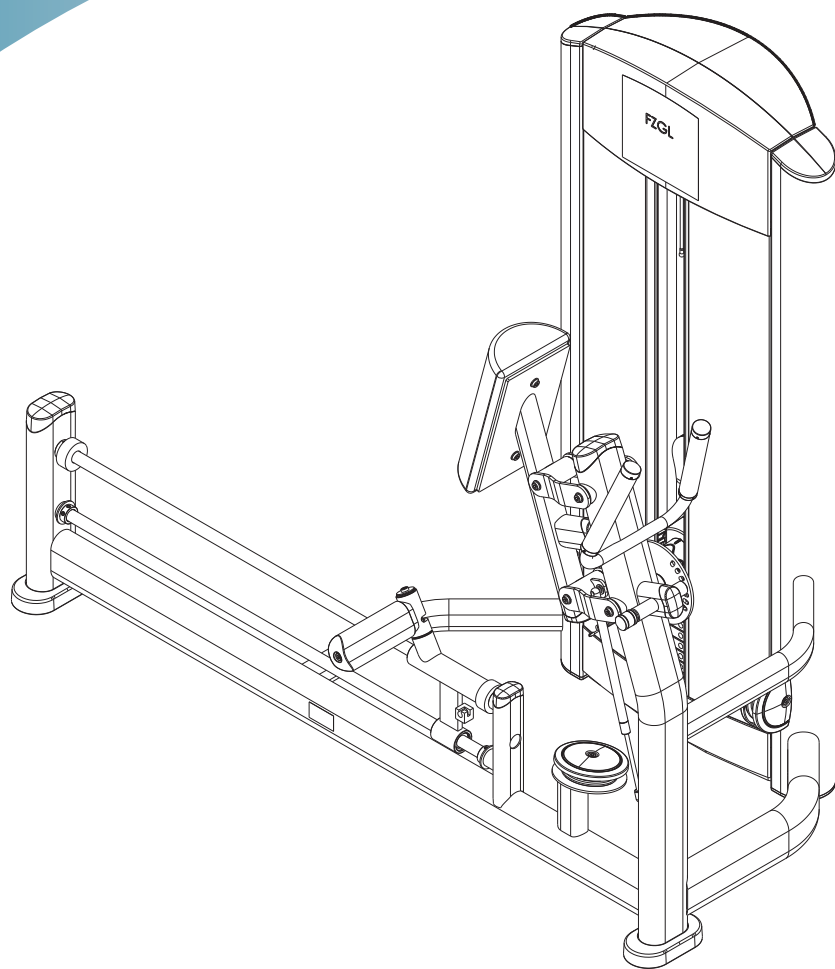


# Signature Series Single Station Glute

FZGL

## Parts List



*LifeFitness*  
WHAT WE LIVE FOR

# FZGL GLUTE CONTENTS

---

FRAME AND UPHOLSTERY COLORS..... 3

SHROUD OPTIONS..... 4

COMPONENT ASSEMBLY..... 5

COMPONENT ASSEMBLY II..... 6

COMPONENT ASSEMBLY LEGEND..... 7

MID-9 TOWER ASSEMBLY..... 8

STANDARD PLASTIC TOWER ASSEMBLY..... 9

OPTIONAL WRAPPED SHROUDS..... 10

MID-9 WEIGHT STACK ASSEMBLY..... 11

5 LB. INCREMENT WEIGHT ASSEMBLY..... 12

10 LB. INCREMENT WEIGHT ASSEMBLY..... 13

15 LB. INCREMENT WEIGHT ASSEMBLY..... 14

OPTIONAL LIGHT MID-9 WEIGHT STACK ASSEMBLY..... 15

OPTIONAL 2.5 LB. INCREMENT WEIGHT ASSEMBLY..... 16

OPTIONAL 5 LB. INCREMENT WEIGHT ASSEMBLY..... 17

OPTIONAL 7.5 LB. INCREMENT WEIGHT ASSEMBLY..... 18

HEAD PLATE ASSEMBLY..... 19

HEAD PLATE ASSEMBLY LEGEND..... 20

IMAGE..... 21

# FZGL GLUTE FRAME AND UPHOLSTERY COLORS

---

## Strength Frame Colors



Platinum



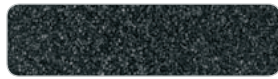
White



Black



Ice Blue Metallic



Midnight Metallic



Nickel



Blue



Red



Yellow



Candy Apple Red

Note: Include frame color in pick-slip notes when ordering frame assemblies or weldments.

## Strength Upholstery Colors



American Beauty Red 07



Azure 20



Black 01



Cranberry 04



Graphite 22



Hunter Green 13



Regimental Blue 14



Royal Blue 02



Slate 03



Wheat 21



Burgundy 29



Candy Apple Red 28



Chestnut 34



Concord 16



Crocus 19



Dove Gray 37



Emerald 27



Grotto 25



Gun Metal 39



Imperial Blue 33



Jade 26



Navy 32



Northwoods Green 05



Paprika 35



Plum 30



Putty 38



Space Blue 06



Suede 08



Terra Cotta 36



Turquoise 17

Note: Replace XX with above color suffix when ordering pads (ie. 74123XX = 7412301 Black)  
Use 99 suffix for custom upholstery.

# FZGL GLUTE SHROUD OPTIONS

## STANDARD SHROUD NO WRAP



TRANSLUCENT



## OPTIONAL StackWraps™ SHROUD + WRAP

BAMBOO



BRONZE



ROSEWOOD



SKY



STAINLESS STEEL



STEM



## CO-BRANDED StackWraps™

SHROUD + WRAP

(refer to co-branded parts list)



PLANET FITNESS

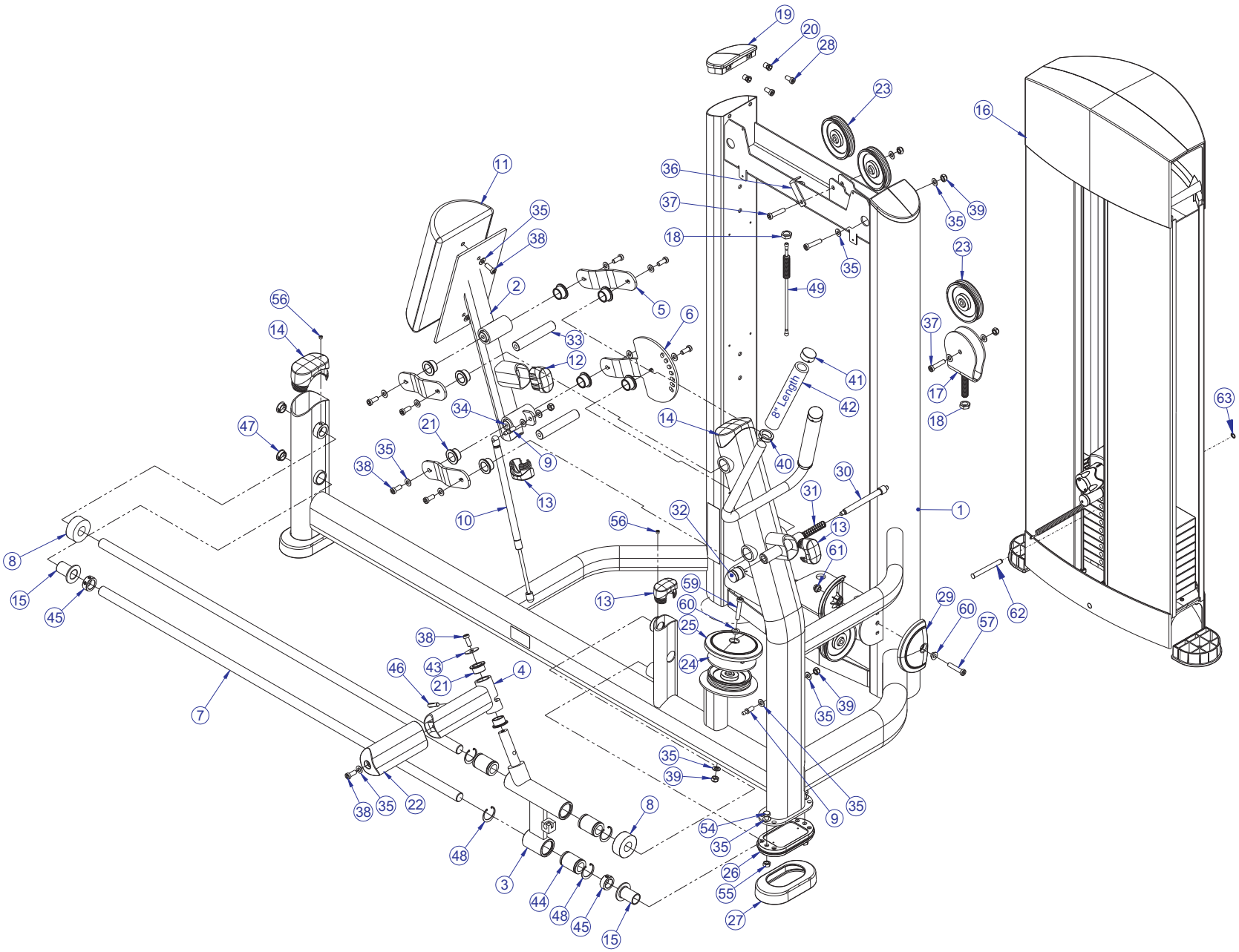


BLINK FITNESS



RETRO FITNESS

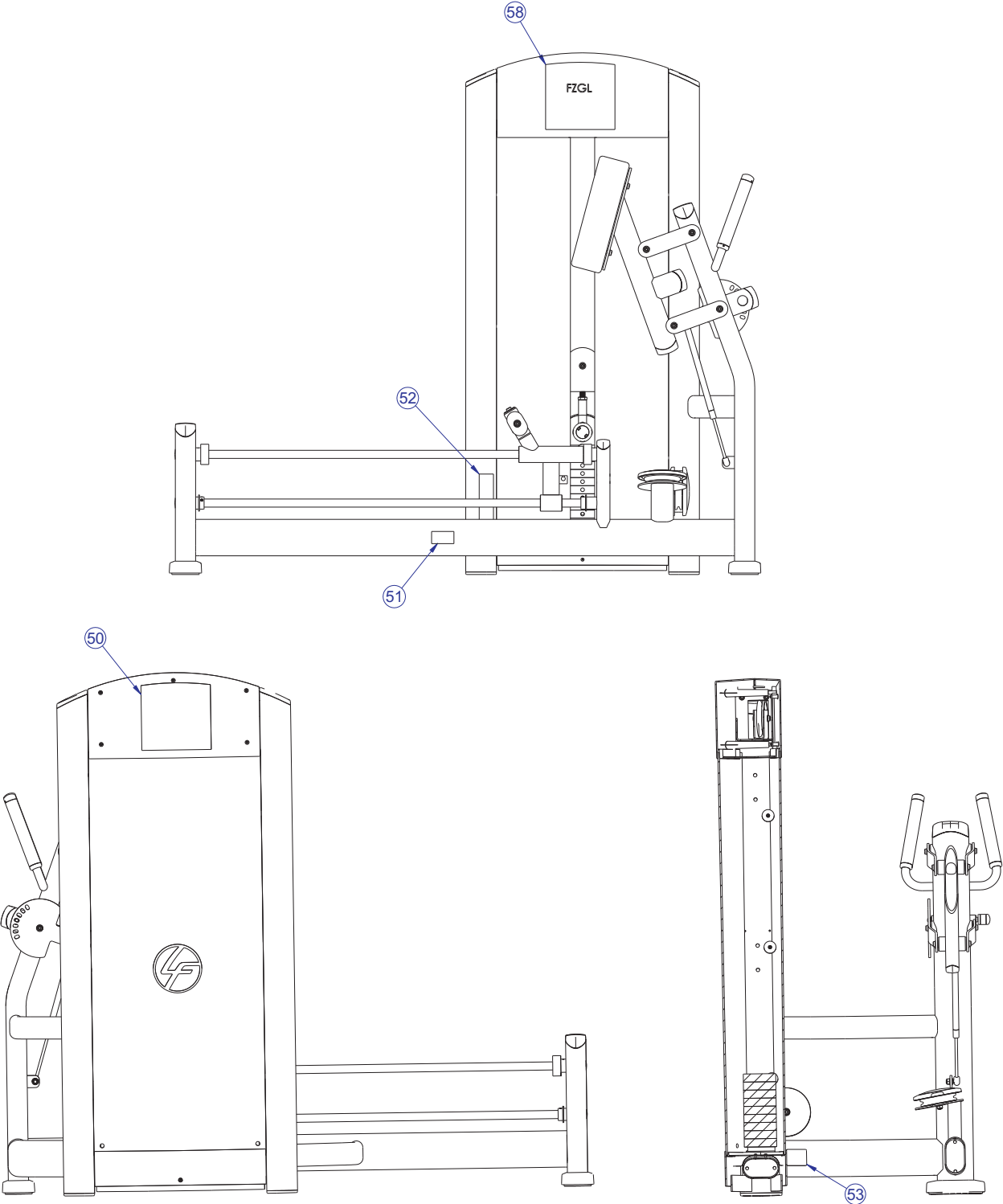
# FZGL GLUTE COMPONENT ASSEMBLY



SEE PAGE 7 FOR LEGEND

# FZGL GLUTE COMPONENT ASSEMBLY II

---



SEE PAGE 7 FOR LEGEND

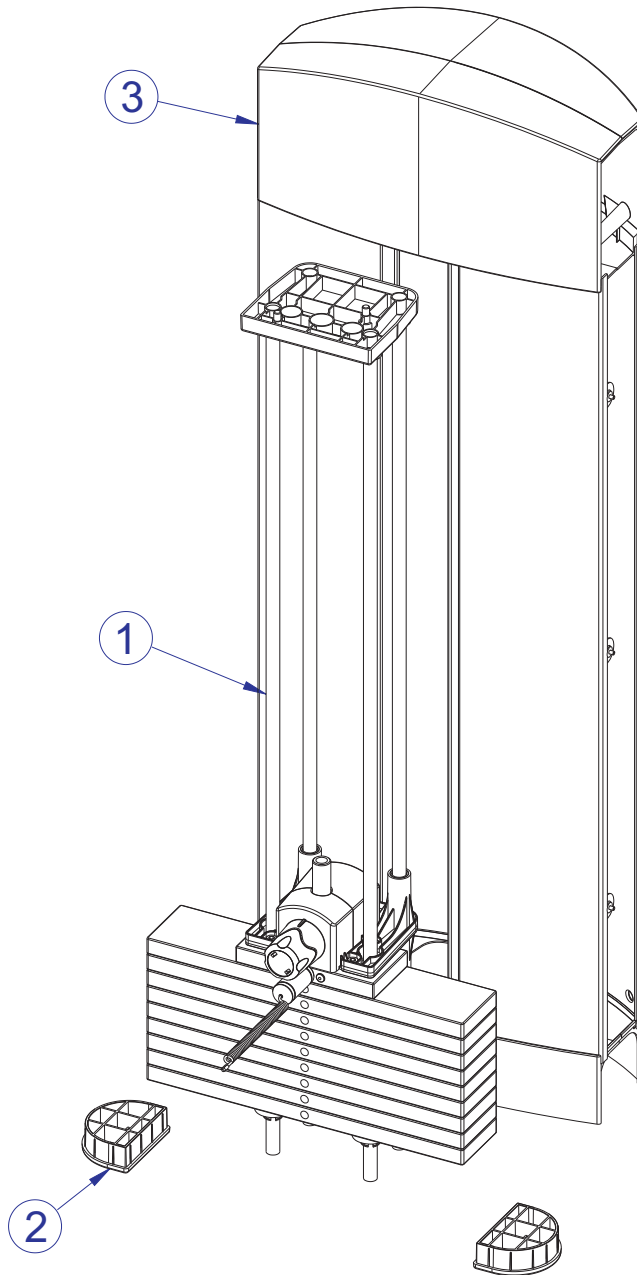
# FZGL GLUTE COMPONENT ASSEMBLY LEGEND

| ITEM NO. | QTY. | PART NO. | DESCRIPTION                    |
|----------|------|----------|--------------------------------|
| 1        | 1    |          | WLDMT, FZGL FRAME              |
| 2        | 1    | 7619401  | WLDMT, FZGL CHEST SUPPORT      |
| 3        | 1    | 7619901  | WLDMT, FZGL CART               |
| 4        | 1    | 7620401  | WLDMT, FZGL FOOT BAR           |
| 5        | 3    | 7620701  | BRKT, FZGL PIVOT LINK          |
| 6        | 1    | 7620801  | BRKT, FZGL PIVOT ADJ LINK      |
| 7        | 2    | 7619801  | GUIDE ROD, 1" DIA CASE X 52"   |
| 8        | 2    | 3108001  | CUSHION, WEIGHT STACK          |
| 9        | 2    | 7414301  | STUD, M10 BALL END M10 X 1.5   |
| 10       | 1    | 3235703  | SPRING, GAS 80N                |
| 11       | 1    | 76264XX  | PAD, LUMBAR, NO BACKER         |
| 12       | 1    | 7317901  | STOP, BUMPER                   |
| 13       | 3    | 7333801  | CAP, SMALL FLOV- END           |
| 14       | 2    | 7333901  | CAP, LARGE FLOV- END           |
| 15       | 2    | 6714901  | BUSHING, GUIDE ROD 1 ID X 2    |
| 16       | 1    | 7420301  | ASSY, MID TOWER-9              |
| 17       | 1    | 7625095  | WLDMT, FZ WT STK PULLEY BRKT   |
| 18       | 2    | 3236902  | NUT, M16 X 2 HEX JAM SS        |
| 19       | 2    | 7326201  | CAP, D-TUBE - TOP              |
| 20       | 4    | 3238601  | M10X1.5 THREADED INSERT (HEX)  |
| 21       | 10   | 3104903  | 1.00" ID 1.25" OD BRNZ BUSHING |
| 22       | 1    | 7620901  | SLEEVE, 1.63 X 2.75 FLOV       |
| 23       | 5    | 3237801  | PULLEY, 4.5" OD                |
| 24       | 1    | 7318201  | PLATE, PULLEY                  |
| 25       | 1    | 8102901  | COVER, PULLEY-BOLTED FULL      |
| 26       | 2    | 7334001  | FOOT, 2.50 X 4.49 FLOV         |
| 27       | 2    | 7340201  | COVER, FOOT - STRAIGHT         |
| 28       | 4    | 3236201  | SCREW, M10 X1.5 20MM           |
| 29       | 2    | 8094101  | COVER, PULLEY-BOLTED PARTIAL   |
| 30       | 1    | 7425102  | PIN, PULL X 6.75               |
| 31       | 1    | 7351501  | SPRING; PULL PIN LARGE         |
| 32       | 1    | 7424801  | KNOB, POP PIN, SILVER          |
|          |      | 7424803  | KNOB, POP PIN, YELLOW          |

| ITEM NO. | QTY. | PART NO. | DESCRIPTION                      |
|----------|------|----------|----------------------------------|
| 33       | 2    | 7324902  | SHAFT, TAPPED 1 DIA X 5.330      |
| 34       | 2    | 7324904  | SHAFT, TAPPED 1 DIA X 3.580      |
| 35       | 25   | 3236601  | WASHER, 3/8 SAE SS               |
| 36       | 1    | 6757701  | CLIP, CABLE 2-7/8 X 1 X 1        |
| 37       | 3    | 3236206  | SCREW, M10 X1.5 45MM             |
| 38       | 12   | 3236202  | SCREW, M10 X1.5 25MM             |
| 39       | 6    | 3236801  | NUT, M10 HEX NYLOCK SS           |
| 40       | 2    | 7662802  | RING, GRIP 1.50 OD               |
| 41       | 2    | 7662902  | CAP, GRIP 1.50 OD                |
| 42       | 2    | 3235802  | GRIP, SHADOW GRAY, 8.00"         |
| 43       | 1    | 3236701  | WASHER, FENDER 3/8" ID X 1.5" OD |
| 44       | 3    | 3245601  | BEARING, LINEAR 1" ID            |
| 45       | 2    | 7435301  | COLLAR, SHAFT 1.020 ID           |
| 46       | 1    | 3253501  | PIN, GROOVE 3/8 DIA X 1-1/2      |
| 47       | 2    | 3237403  | PLUG, 1" HOLE                    |
| 48       | 4    | 3202601  | RET RING, INT 1-3/4 DIA X1/16    |
| 49       | 1    | 7423719  | CABLE, FZGL                      |
| 50       | 1    | 7509801  | LABEL, FZGL LOGO                 |
| 51       | 1    | 7422003  | LABEL, MOVING PARTS              |
| 52       | 1    | 7422004  | LABEL, 2" ASTM WARN              |
| 53       | 1    | 7571301  | LABEL, SERIAL NUMBER             |
| 54       | 4    | 3251202  | SCREW, M10 X1.5 X 25MM HEX Z     |
| 55       | 4    | 3254703  | NUT, M10 X 1.5 HEX ZINC          |
| 56       | 2    | 3242901  | SCREW, SET BO                    |
| 57       | 1    | 3236207  | SCREW, M10 X1.5 50MM             |
| 58       | 1    | 7509701  | LABEL, FZGL PLACARD              |
| 59       | 1    | 3236208  | SCREW, M10 X1.5 55MM             |
| 60       | 2    | 7630101  | RETAINER, CM/MJ, PULLEY          |
| 61       | 1    | 7335401  | NUT, M10 X 1.5 SOCKET HEAD       |
| 62       | 1    | 7564501  | PIN, FZ/PS, WEIGHT PLATE         |
| 63       | 1    | 3243901  | RING, BRE M11, ST, PP            |

# FZGL GLUTE MID-9 TOWER ASSEMBLY - 7420301

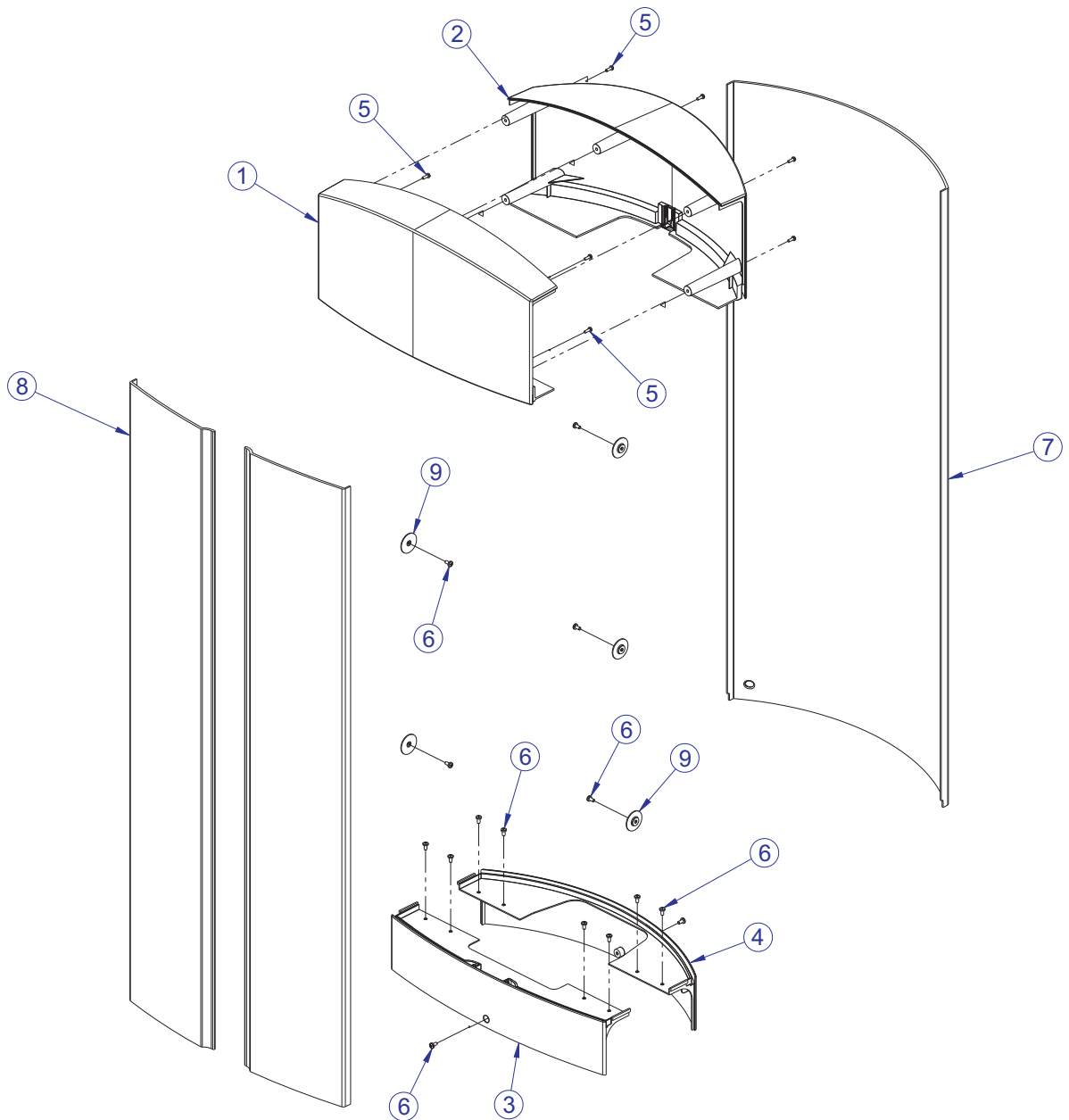
---



| ITEM NO. | QTY. | PART NO. | DESCRIPTION              |
|----------|------|----------|--------------------------|
| 1        | 1    | 7420001  | ASSY, WEIGHT STACK MID-9 |
| 2        | 2    | 7326301  | CAP, D-TUBE-BTM          |
| 3        | 1    | 7419801  | ASSY, TOWER PLASTICS-MID |

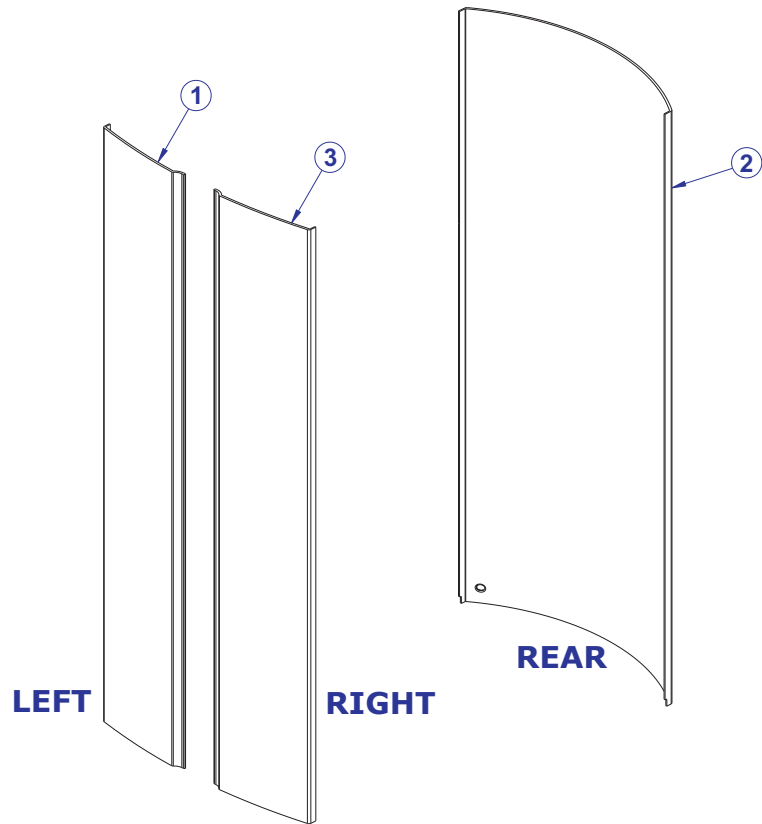



# FZGL GLUTE STANDARD PLASTIC TOWER ASSEMBLY - 7419801




| ITEM NO. | QTY. | PART NO. | DESCRIPTION                 |
|----------|------|----------|-----------------------------|
| 1        | 1    | 7318601  | COVER, TOWER- TOP FRONT     |
| 2        | 1    | 7318701  | COVER, TOWER- TOP REAR      |
| 3        | 1    | 7318801  | COVER, TOWER- BOTTOM FRONT  |
| 4        | 1    | 7318901  | COVER, TOWER- BOTTOM REAR   |
| 5        | 9    | 3236501  | M4 X 0.7 PHL PAN MS ST ZN   |
| 6        | 16   | 3239101  | SCREW, M5X10 PHL PAN TT ST  |
| 7        | 1    | 7765701  | SHROUD, TOWER- REAR SHORT   |
| 8        | 2    | 7765601  | SHROUD, TOWER- FRT SHORT RH |
| 9        | 6    | 7583501  | RETAINER, FZ SHROUD         |


# FZGL GLUTE OPTIONAL WRAPPED SHROUDS





| BAMBOO |  | ITEM NO. | QTY. | PART NO. | DESCRIPTION                      |
|--------|---|----------|------|----------|----------------------------------|
|        |   | 1        | 1    | 8954201  | SHROUD, FZ, FNT, SRT, LT -BAMBOO |
|        |   | 2        | 1    | 8949101  | SHROUD, FZ, REAR, SRT -BAMBOO    |
|        |   | 3        | 1    | 8949001  | SHROUD, FZ, FNT, SRT, RT -BAMBOO |

| SKY |  | ITEM NO. | QTY. | PART NO. | DESCRIPTION                   |
|-----|---|----------|------|----------|-------------------------------|
|     |   | 1        | 1    | 8954301  | SHROUD, FZ, FNT, SRT, LT -SKY |
|     |   | 2        | 1    | 8949301  | SHROUD, FZ, REAR, SRT -SKY    |
|     |   | 3        | 1    | 8949201  | SHROUD, FZ, FNT, SRT, RT -SKY |

| BRONZE |  | ITEM NO. | QTY. | PART NO. | DESCRIPTION                      |
|--------|---|----------|------|----------|----------------------------------|
|        |   | 1        | 1    | 8954401  | SHROUD, FZ, FNT, LT - BRONZE     |
|        |   | 2        | 1    | 8949501  | SHROUD, FZ, REAR -BRONZE         |
|        |   | 3        | 1    | 8949401  | SHROUD, FZ, FNT, SRT, RT -BRONZE |

| STEM |  | ITEM NO. | QTY. | PART NO. | DESCRIPTION                    |
|------|---|----------|------|----------|--------------------------------|
|      |   | 1        | 1    | 8954501  | SHROUD, FZ, FNT, SRT, LT -STEM |
|      |   | 2        | 1    | 8949701  | SHROUD, FZ, REAR, SRT -STEM    |
|      |   | 3        | 1    | 8949601  | SHROUD, FZ, FNT, SRT, RT -STEM |

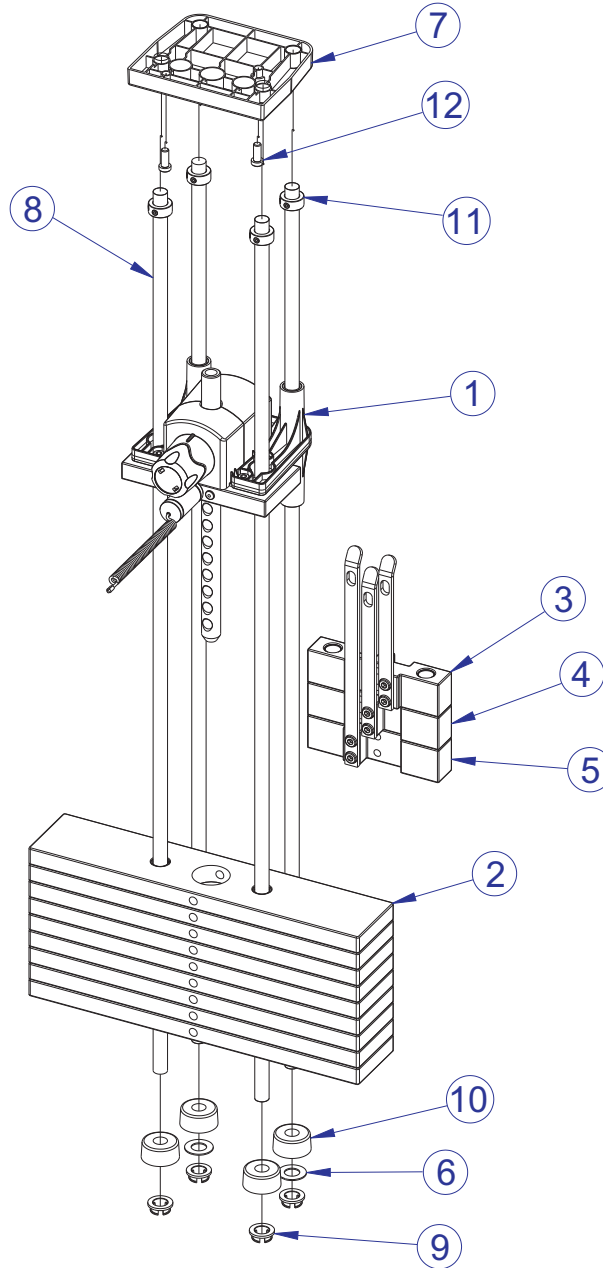
| ROSEWOOD |  | ITEM NO. | QTY. | PART NO. | DESCRIPTION                        |
|----------|---|----------|------|----------|------------------------------------|
|          |   | 1        | 1    | 8954601  | SHROUD, FZ, FNT, SRT, LT -ROSEWOOD |
|          |   | 2        | 1    | 8949901  | SHROUD, FZ, REAR, SRT -ROSEWOOD    |
|          |   | 3        | 1    | 8949801  | SHROUD, FZ, FNT, SRT, RT -ROSEWOOD |

| STAINLESS<br>STEEL |  | ITEM NO. | QTY. | PART NO. | DESCRIPTION                               |
|--------------------|---|----------|------|----------|---|
|                    |   | 1        | 1    | 8954701  | SHROUD, FZ, FNT, SRT, LT -STAINLESS STEEL |
|                    |   | 2        | 1    | 8950101  | SHROUD, FZ, REAR, SRT -STAINLESS STEEL    |
|                    |   | 3        | 1    | 8950001  | SHROUD, FZ, FNT, SRT, RT-STAINLESS STEEL  |

# FZGL GLUTE MID-9 WEIGHT STACK ASSEMBLY - 7420001

## WEIGHT STACK LABELS

|         |                     |
|---------|---------------------|
| 7927201 | LABEL, 390 LB STACK |
| 7927301 | LABEL, 195 KG STACK |

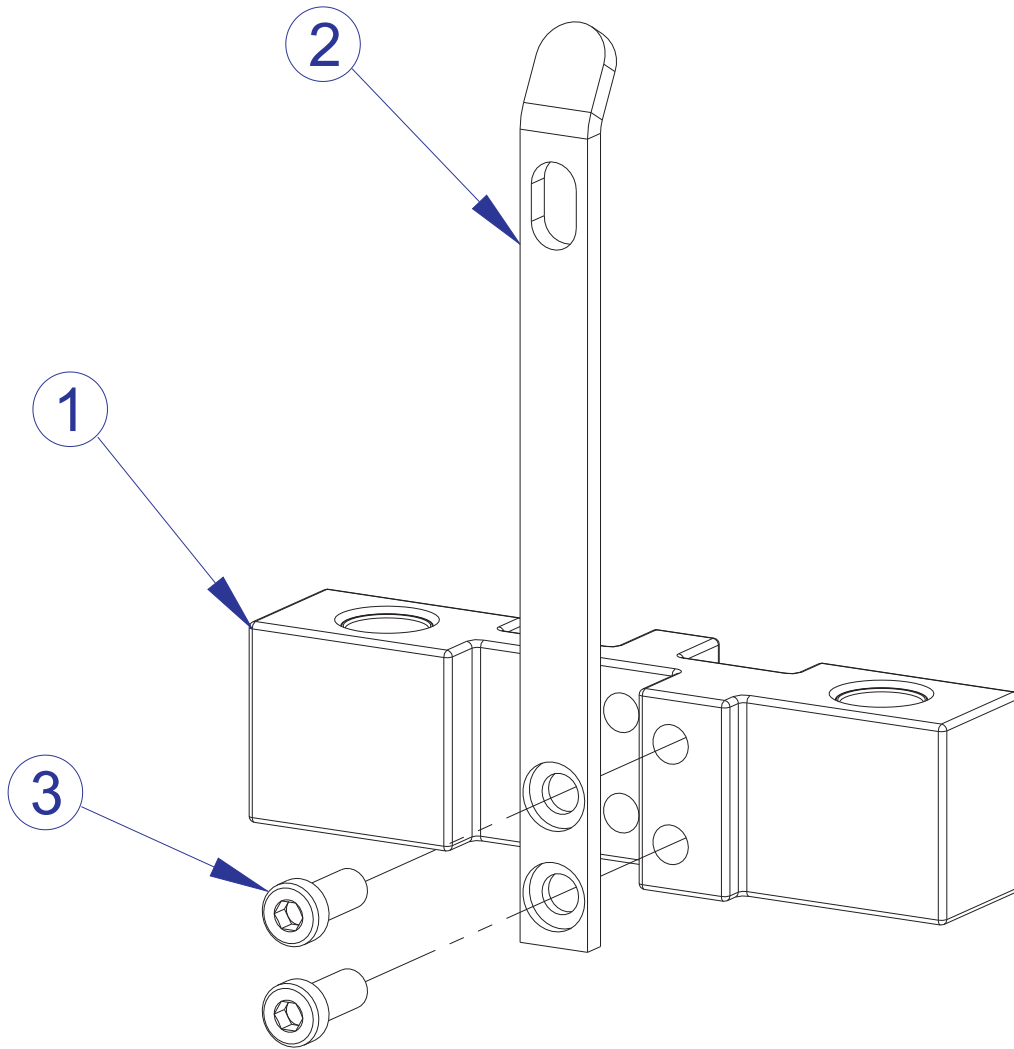


| ITEM NO. | QTY. | PART NO. | DESCRIPTION                     |
|----------|------|----------|---------------------------------|
| 1        | 1    | 7350601  | ASSY, HEAD PLATE (9)            |
| 2        | 9    | 7328401  | WEIGHT PLATE, 20 LB             |
| 3        | 1    | 7327601  | ASSY, INCREMENT WT-5LB          |
| 4        | 1    | 7327701  | ASSY, INCREMENT WT-10LB         |
| 5        | 1    | 7327801  | ASSY, INCREMENT WT-15LB         |
| 6        | 2    | 7351001  | SPACER, INC WT STACK            |
| 7        | 1    | 7621101  | RETAINER, GUIDE ROD-TOP         |
| 8        | 4    | 7328602  | GUIDE ROD, .75 OD SOLID X 53.50 |
| 9        | 4    | 7337901  | BUSHING, GUIDE ROD              |
| 10       | 4    | 7352101  | CUSHION, WEIGHT STACK           |
| 11       | 4    | 3103301  | SHAFT COLLAR, 3/4" ID ZINC      |
| 12       | 2    | 3236202  | M10 X 1.5 X 25 HXS SOC CS SS    |

# FZGL GLUTE

## 5 LB. INCREMENT WEIGHT ASSEMBLY - 7327601

---

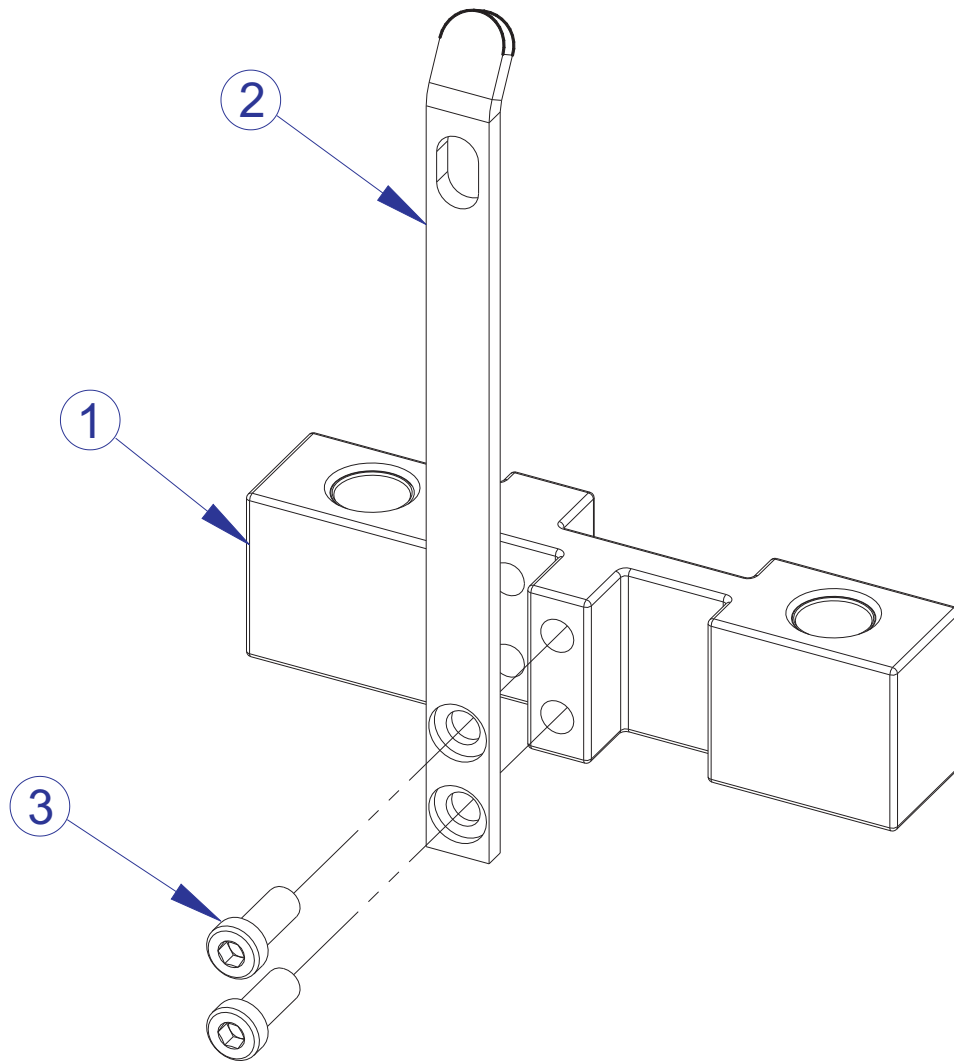


| ITEM NO. | QTY. | PART NO. | DESCRIPTION               |
|----------|------|----------|---------------------------|
| 1        | 1    | 7968501  | ASSY, FZ INC WEIGHT 5LB   |
| 2        | 1    | 7328001  | BRKT, INCREMENT WT - 5 LB |
| 3        | 2    | 3236202  | SCREW, M10 X1.5 25MM      |

# FZGL GLUTE

## 10 LB. INCREMENT WEIGHT ASSEMBLY - 7327701

---

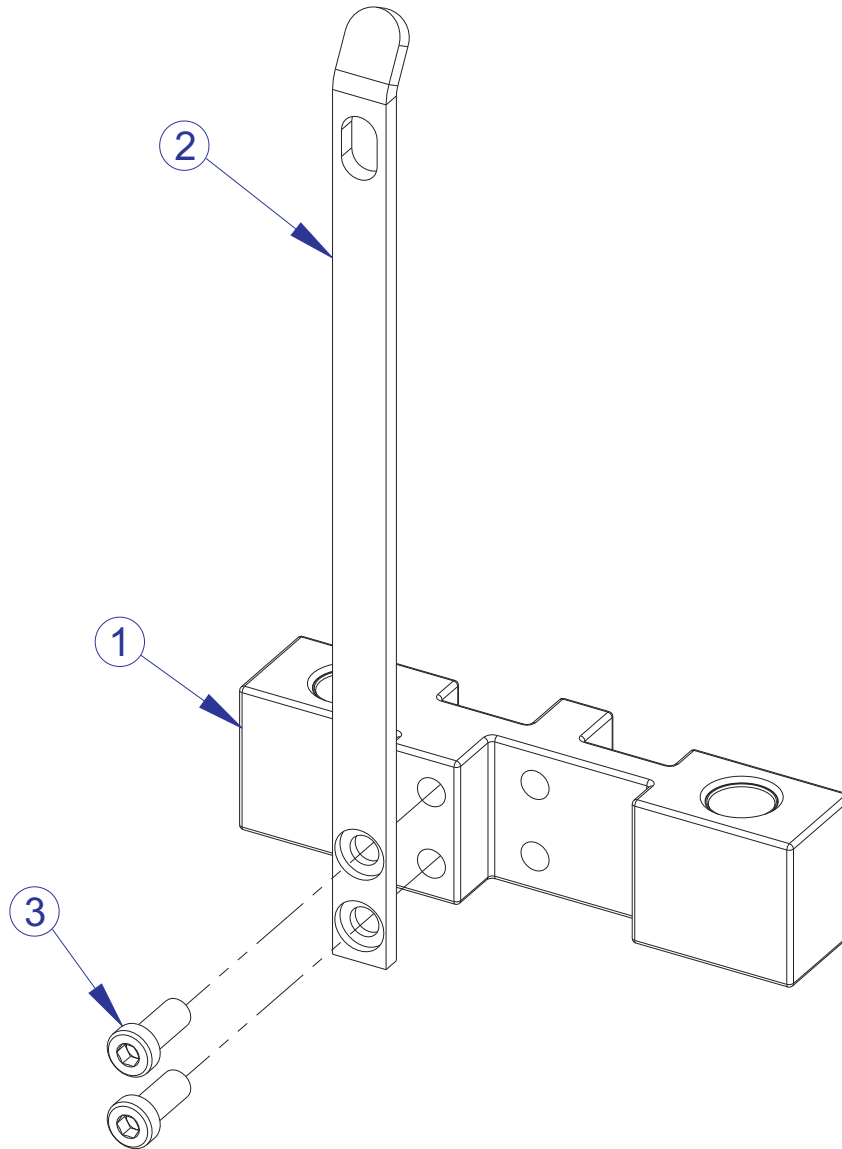


| ITEM NO. | QTY. | PART NO. | DESCRIPTION                |
|----------|------|----------|----------------------------|
| 1        | 1    | 7968501  | ASSY, FZ INC WEIGHT 5LB    |
| 2        | 1    | 7328101  | BRKT, INCREMENT WT - 10 LB |
| 3        | 2    | 3236202  | SCREW, M10 X1.5 25MM       |

# FZGL GLUTE

## 15 LB. INCREMENT WEIGHT ASSEMBLY - 7327801

---

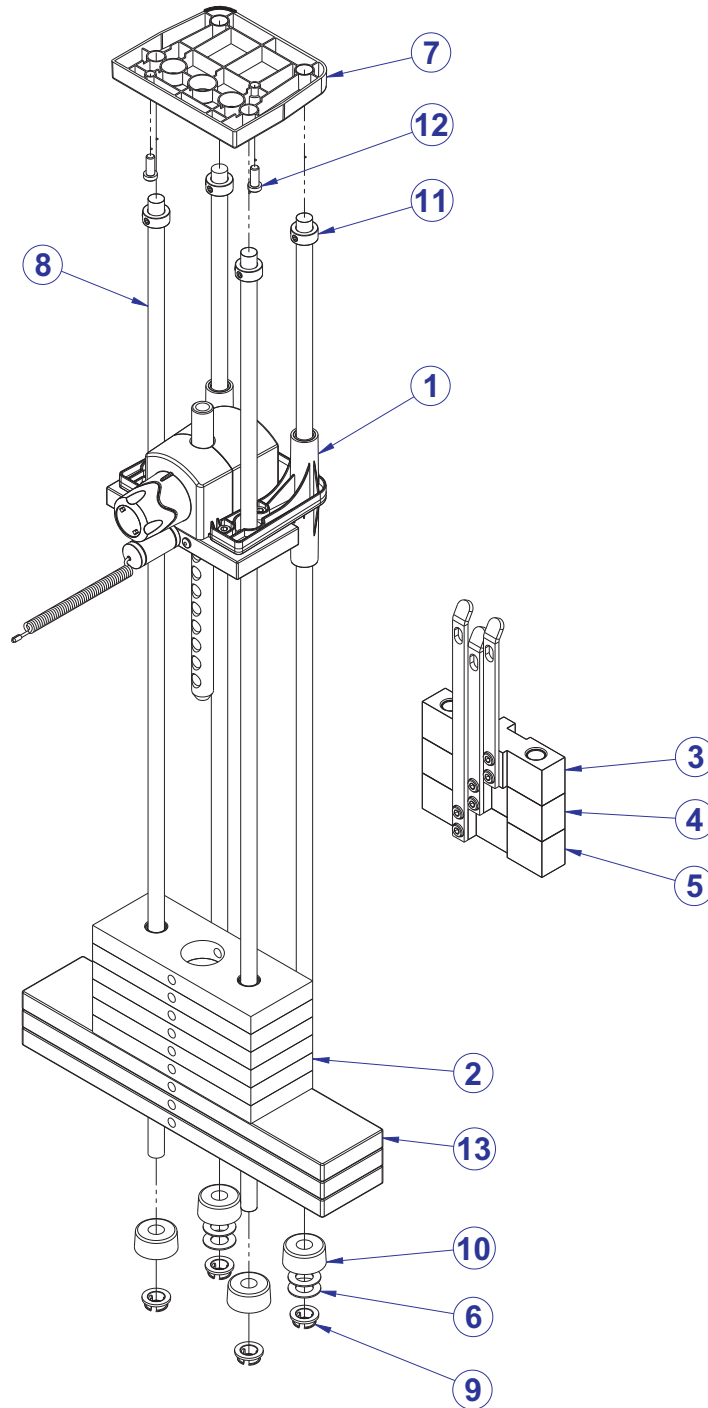


| ITEM NO. | QTY. | PART NO. | DESCRIPTION                |
|----------|------|----------|----------------------------|
| 1        | 1    | 7968501  | ASSY, FZ INC WEIGHT 5LB    |
| 2        | 1    | 7328201  | BRKT, INCREMENT WT - 15 LB |
| 3        | 2    | 3236202  | SCREW, M10 X1.5 25MM       |

# FZGL GLUTE

## OPTIONAL MID LIGHT-9 WEIGHT STACK ASSY. - 8866101

|                             |
|-----------------------------|
| WEIGHT STACK LABELS         |
| 8867101 LABEL, 190 LB STACK |

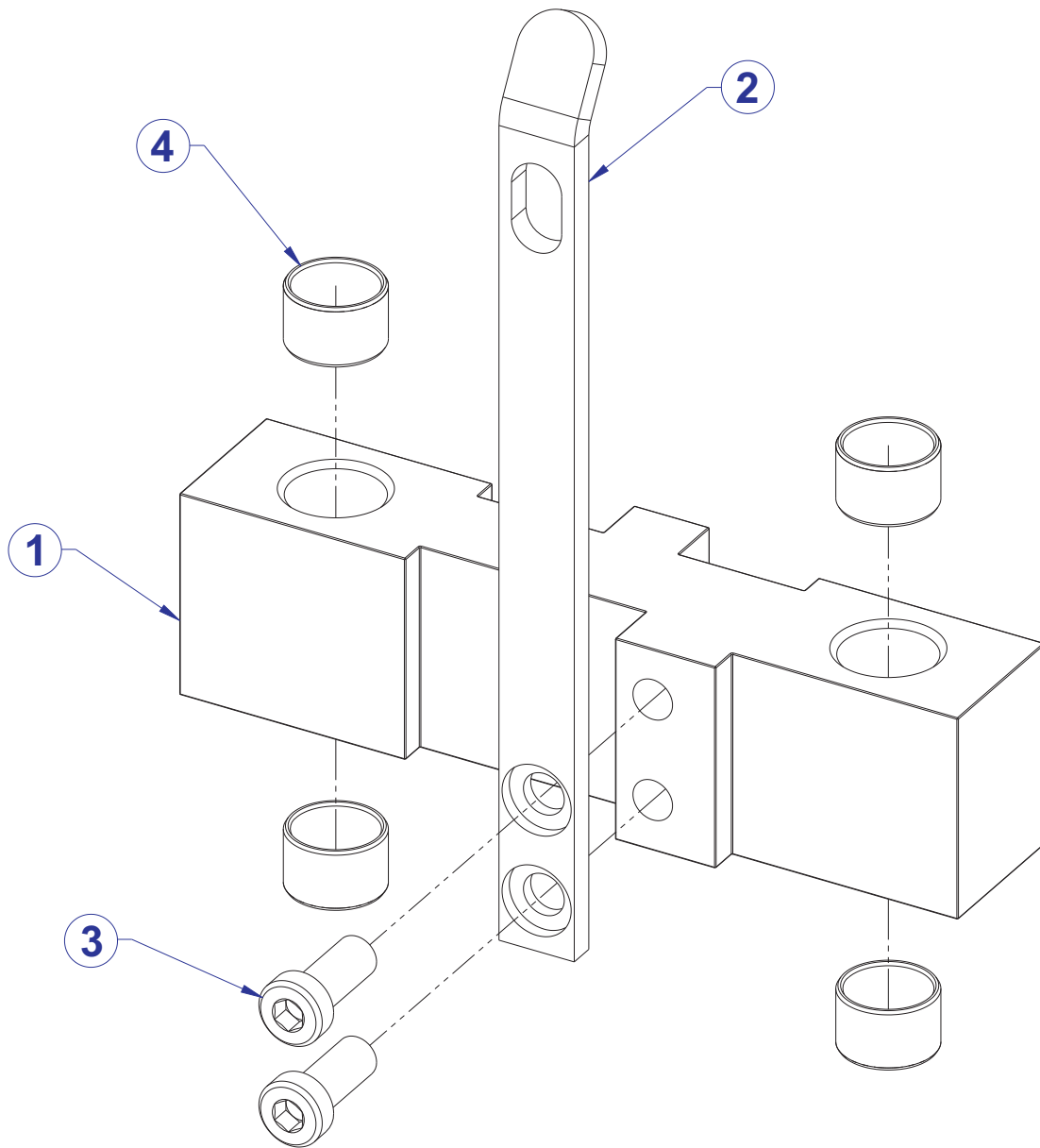


| ITEM NO. | QTY. | PART NO. | DESCRIPTION                   |
|----------|------|----------|-------------------------------|
| 1        | 1    | 7350601  | ASSY, HEAD PLATE (9)          |
| 2        | 6    | 7353701  | ASSY, 10 LB PLATE             |
| 3        | 1    | 8861301  | ASSY, FZ INC WEIGHT - 2.5 LB  |
| 4        | 1    | 8861401  | ASSY, FZ INC WEIGHT - 5 LB    |
| 5        | 1    | 8861501  | ASSY, FZ INC WEIGHT - 7.5 LB  |
| 6        | 4    | 7351001  | SPACER, INC WT STACK          |
| 7        | 1    | 7621101  | RETAINER, GUIDE ROD - TOP     |
| 8        | 4    | 7328602  | GUIDE ROD, .75 OD SOLID 53.50 |
| 9        | 4    | 7337901  | BUSHING, GUIDE ROD            |
| 10       | 4    | 7352101  | CUSHION, WEIGHT STACK         |
| 11       | 4    | 3103301  | SHAFT COLLAR, 3/4 I.D. ZINC   |
| 12       | 2    | 3236202  | SCREW, M10 X1.5 25MM          |
| 13       | 3    | 7328401  | WEIGHT PLATE, 20 LB           |

# FZGL GLUTE

## OPTIONAL 2.5 LB. INCREMENT WEIGHT ASSY. - 8861301

---



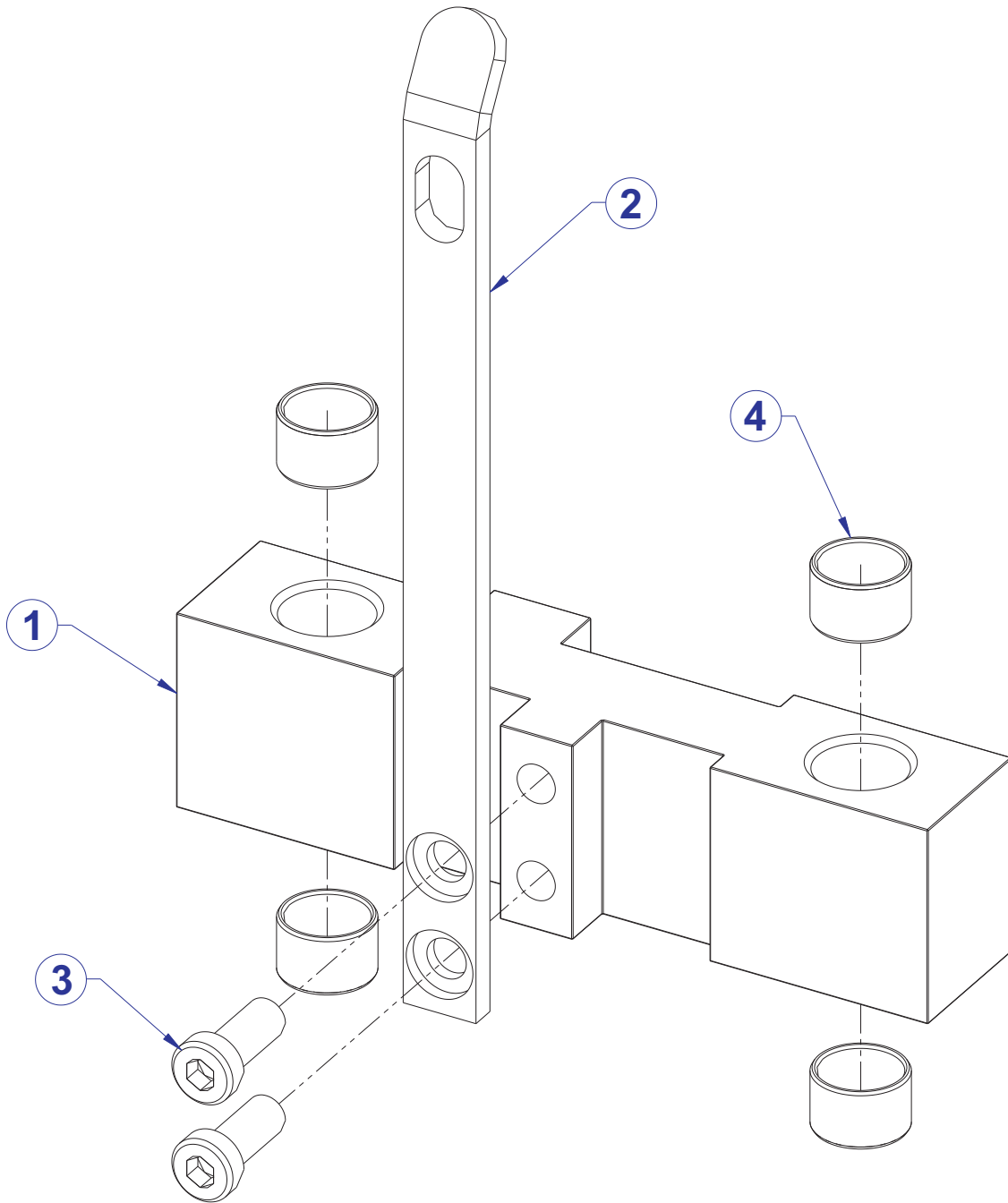
| ITEM NO. | QTY. | PART NO. | DESCRIPTION                           |
|----------|------|----------|---------------------------------------|
| 1        | 1    | 8861295  | INCREMENT WEIGHT, FZ OPTIONAL - SG    |
| 2        | 1    | 7328001  | BRKT, INCREMENT WT - 5 LB             |
| 3        | 2    | 3236202  | SCREW, M10 X1.5 25MM                  |
| 4        | 4    | 3202501  | BEARING, SLEEVE 20 ID X 23.00 X 15 MM |



# FZGL GLUTE

## OPTIONAL 5 LB. INCREMENT WEIGHT ASSY. - 8861401

---

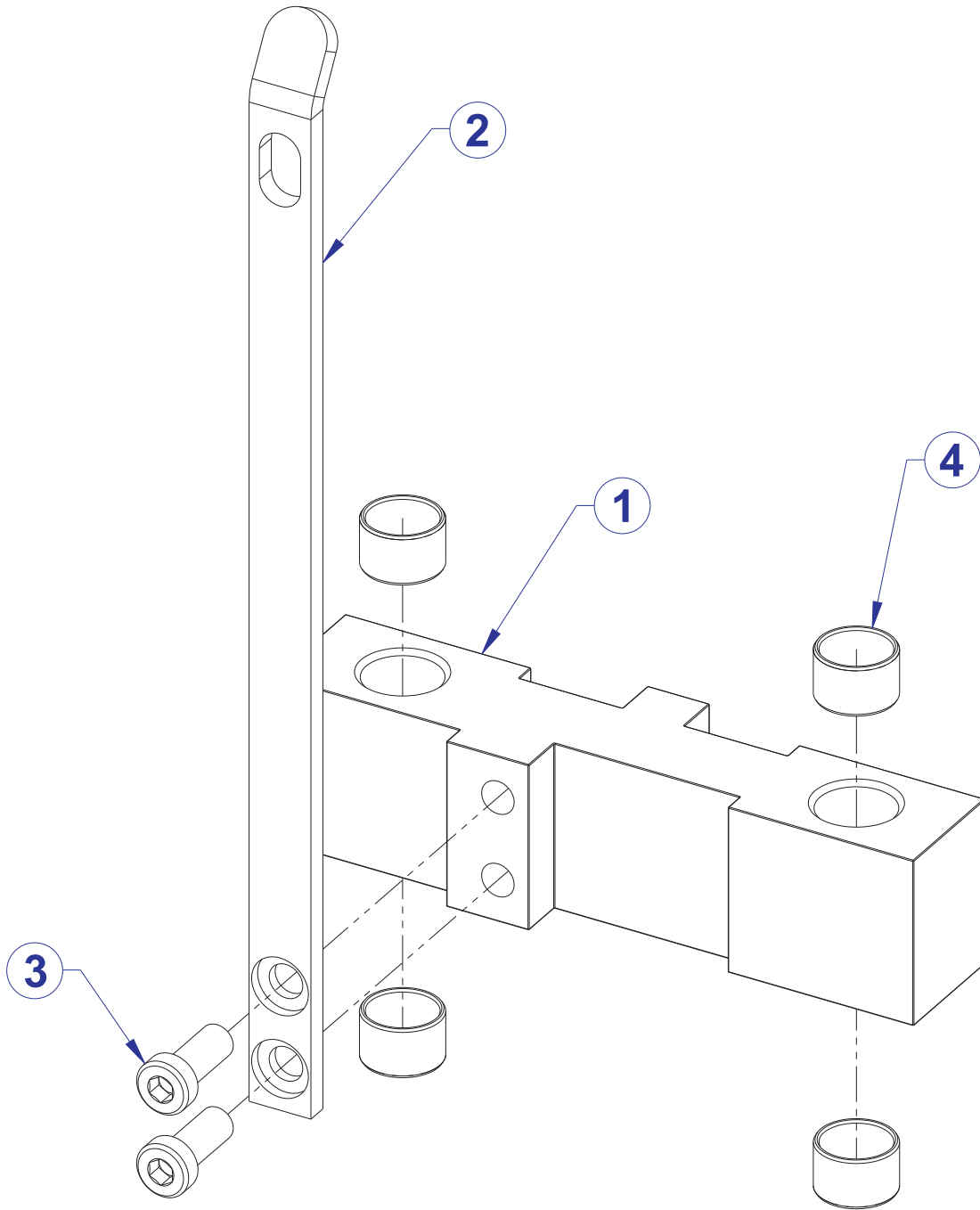


| ITEM NO. | QTY. | PART NO. | DESCRIPTION                           |
|----------|------|----------|---------------------------------------|
| 1        | 1    | 8861295  | INCREMENT WEIGHT, FZ OPTIONAL - SG    |
| 2        | 1    | 7328101  | BRKT, INCREMENT WT - 10 LB            |
| 3        | 2    | 3236202  | SCREW, M10 X1.5 25MM                  |
| 4        | 4    | 3202501  | BEARING, SLEEVE 20 ID X 23.00 X 15 MM |

# FZGL GLUTE

## OPTIONAL 7.5 LB. INCREMENT WEIGHT ASSY. - 8861501

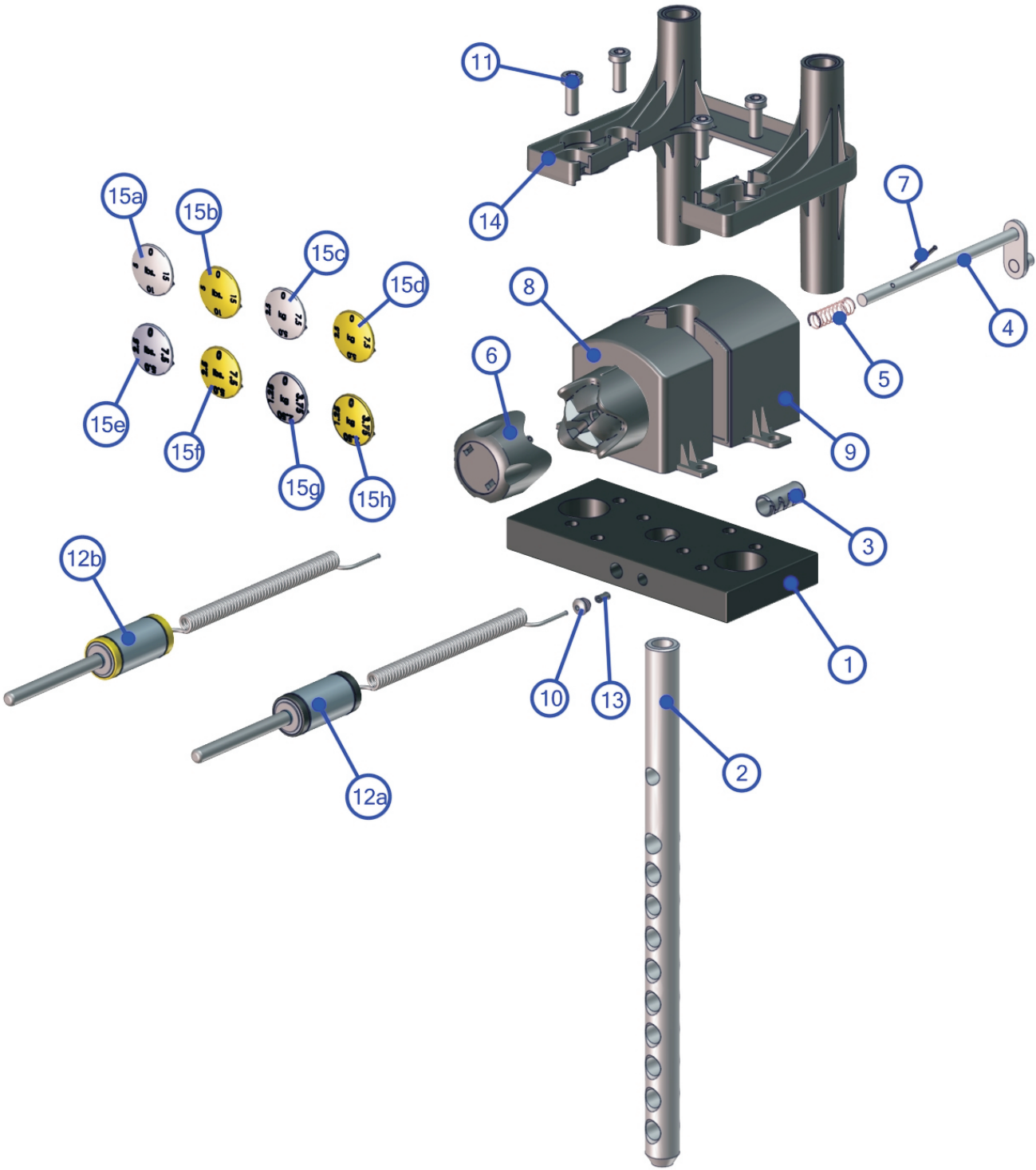
---



| ITEM NO. | QTY. | PART NO. | DESCRIPTION                           |
|----------|------|----------|---------------------------------------|
| 1        | 1    | 8861295  | INCREMENT WEIGHT, FZ OPTIONAL - SG    |
| 2        | 1    | 7328201  | BRKT, INCREMENT WT - 15 LB            |
| 3        | 2    | 3236202  | SCREW, M10 X1.5 25MM                  |
| 4        | 4    | 3202501  | BEARING, SLEEVE 20 ID X 23.00 X 15 MM |

# FZGL GLUTE HEAD PLATE ASSEMBLY - 7350601

---



SEE PAGE 20 FOR LEGEND

# FZGL GLUTE HEAD PLATE ASSEMBLY LEGEND

---

| ITEM NO. | QTY. | PART NO. | DESCRIPTION                        | WHERE USED                              |                    |
|----------|------|----------|------------------------------------|---|--------------------|
| 1        | 1    | 7326701  | HEAD PLATE                         | -                                       |                    |
| 2        | 1    | 7347801  | STEM, 9 PLATE                      | -                                       |                    |
| 3        | 1    | 3236001  | BUSHING, SPRING PIN                | -                                       |                    |
| 4        | 1    | 7327201  | WLDMT, INCREMENT WT PIN            | -                                       |                    |
| 5        | 1    | 8024501  | SPRING, 1/2 OD X 1-1/2             | -                                       |                    |
| 6        | 1    | 7326101  | KNOB, INC WT SELECTOR              | -                                       |                    |
| 7*       | 1    | 3110008  | ROLL PIN, 1/8 X 1-1/4              | -                                       |                    |
| 8*       | 1    | 7326401  | HOUSING, SELECTOR - FRONT          | -                                       |                    |
| 9*       | 1    | 7326501  | HOUSING, SELECTOR - REAR           | -                                       |                    |
| 10       | 1    | 7356501  | PLUG, LANYARD ATTACHMENT           | -                                       |                    |
| 11       | 4    | 3236202  | SCREW, M10 X1.5 25MM               | -                                       |                    |
| 12**     | a    | 1        | 7338101                            | ASSY, WT STACK SELECTOR PIN-SILVER      | -                  |
|          | b    |          | 7338103                            | ASSY, WT STACK SELECTOR PIN-YELLOW      | -                  |
| 13       | 1    | 7523601  | CRIMP, CABLE                       | -                                       |                    |
| 14       | 1    | 8867301  | ASSY, FZ, STABILIZER WITH BUSHINGS | -                                       |                    |
| 15**     | a    | 1        | 7398601                            | CAP, SELECTOR KNOB - 5 LBS, SILVER      | REG. STACK / LBS.  |
|          | b    |          | 7398603                            | CAP, FZ SELECTOR KNOB - 5 LBS, YELLOW   | REG. STACK / LBS.  |
|          | c    |          | 7398701                            | CAP, FZ SELECTOR KNOB - 2.5 KG, SILVER  | REG. STACK / KG.   |
|          | d    |          | 7398703                            | CAP, FZ SELECTOR KNOB - 2.5 KG, YELLOW  | REG. STACK / KG.   |
|          | e    |          | 8865801                            | CAP, FZ SELECTOR KNOB - 2.5 LBS, SILVER | LIGHT STACK / LBS. |
|          | f    |          | 8865803                            | CAP, FZ SELECTOR KNOB - 2.5 LBS, YELLOW | LIGHT STACK / LBS. |
|          | g    |          | 8946501                            | CAP, FZ SELECTOR KNOB - 1.25 KG, SILVER | LIGHT STACK / KG.  |
|          | h    |          | 8946503                            | CAP, FZ SELECTOR KNOB - 1.25 KG, YELLOW | LIGHT STACK / KG.  |

\* Kit exists for component set. See bulletin FZ02012701N

\*\* Language specific/Weight stack item. Order separately-not part of assembly.

FZGL GLUTE  
IMAGE

---

