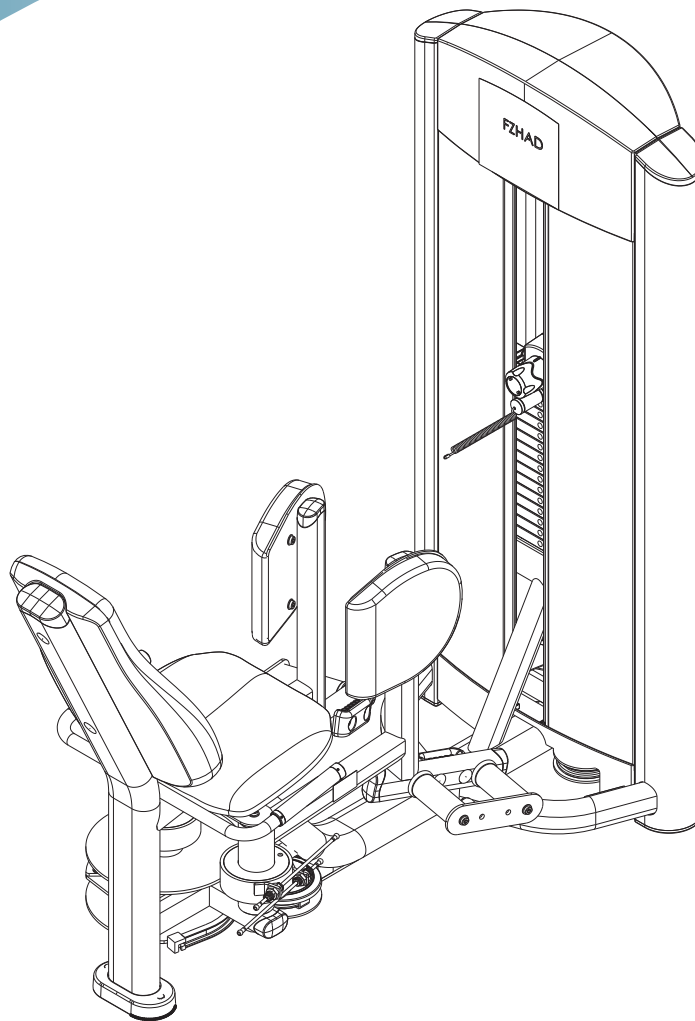


# Signature Series Single Station Hip Adduction

FZHAD

## Parts List



*LifeFitness*  
WHAT WE LIVE FOR

# FZHAD HIP ADDUCTION CONTENTS

---

FRAME AND UPHOLSTERY COLORS..... 3

SHROUD OPTIONS..... 4

COMPONENT ASSEMBLY..... 5

COMPONENT ASSEMBLY II..... 6

COMPONENT ASSEMBLY LEGEND..... 7

MID-14 TOWER HAB/HAD ASSEMBLY..... 8

MID-14 TOWER HAB/HAD ASSEMBLY LEGEND..... 9

OPTIONAL WRAPPED SHROUDS..... 10

5 LB. INCREMENT WEIGHT ASSEMBLY..... 11

10 LB. INCREMENT WEIGHT ASSEMBLY..... 12

15 LB. INCREMENT WEIGHT ASSEMBLY..... 13

OPTIONAL LIGHT MID-14 TOWER HAB/HAD ASSEMBLY..... 14

OPTIONAL LIGHT MID-14 TOWER HAB/HAD ASSEMBLY LEGEND..... 15

OPTIONAL 2.5 LB. INCREMENT WEIGHT ASSEMBLY..... 16

OPTIONAL 5 LB. INCREMENT WEIGHT ASSEMBLY..... 17

OPTIONAL 7.5 LB. INCREMENT WEIGHT ASSEMBLY..... 18

HEAD PLATE ASSEMBLY..... 19

HEAD PLATE ASSEMBLY LEGEND..... 20

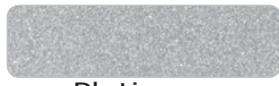
CABLE ROUTING..... 21

IMAGE..... 22

# FZHAD HIP ADDUCTION FRAME AND UPHOLSTERY COLORS

---

## Strength Frame Colors



Platinum



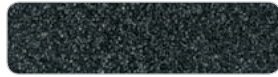
White



Black



Ice Blue Metallic



Midnight Metallic



Nickel



Blue



Red



Yellow



Candy Apple Red

Note: Include frame color in pick-slip notes when ordering frame assemblies or weldments.

## Strength Upholstery Colors



American Beauty Red 07



Azure 20



Black 01



Cranberry 04



Graphite 22



Hunter Green 13



Regimental Blue 14



Royal Blue 02



Slate 03



Wheat 21



Burgundy 29



Candy Apple Red 28



Chestnut 34



Concord 16



Crocus 19



Dove Gray 37



Emerald 27



Grotto 25



Gun Metal 39



Imperial Blue 33



Jade 26



Navy 32



Northwoods Green 05



Paprika 35



Plum 30



Putty 38



Space Blue 06



Suede 08



Terra Cotta 36



Turquoise 17

Note: Replace XX with above color suffix when ordering pads (ie. 74123XX = 7412301 Black)  
Use 99 suffix for custom upholstery.

# FZHAD HIP ADDUCTION SHROUD OPTIONS

## STANDARD SHROUD NO WRAP

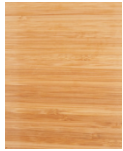


TRANSLUCENT



## OPTIONAL StackWraps™ SHROUD + WRAP

BAMBOO



BRONZE



ROSEWOOD



SKY



STAINLESS STEEL



STEM



## CO-BRANDED StackWraps™

SHROUD + WRAP

(refer to co-branded parts list)



PLANET FITNESS

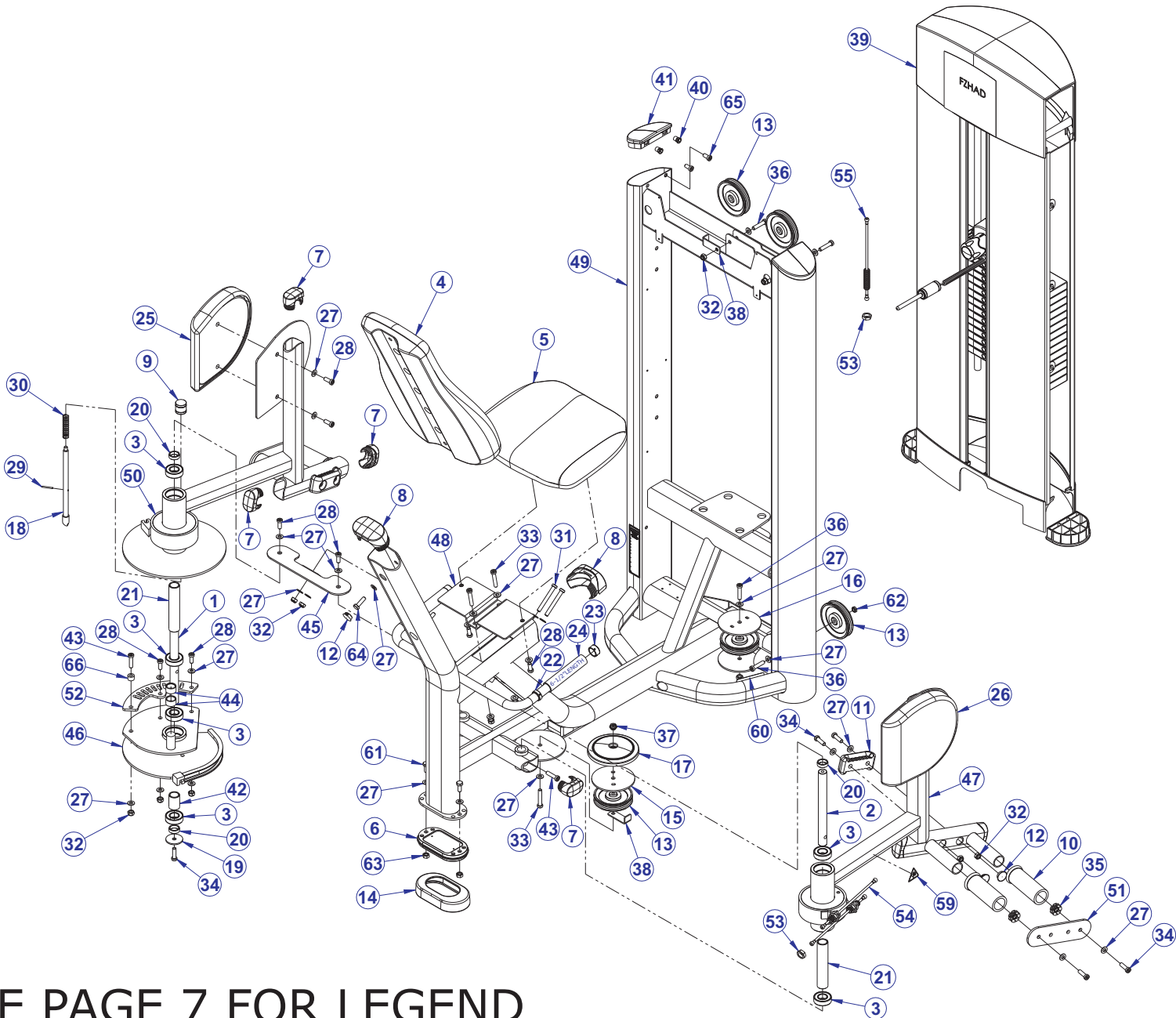


BLINK FITNESS



RETRO FITNESS

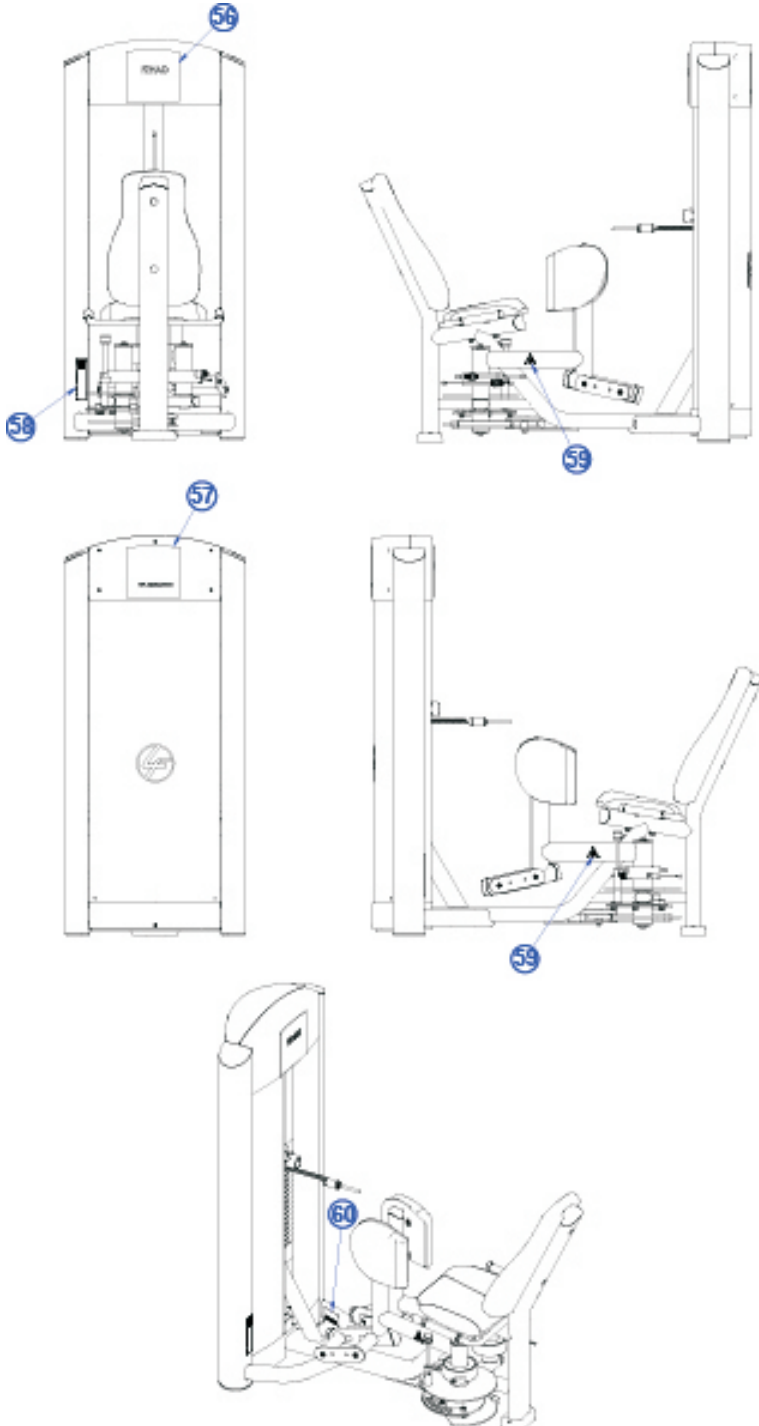
# FZHAD HIP ADDUCTION COMPONENT ASSEMBLY



SEE PAGE 7 FOR LEGEND

# FZHAD HIP ADDUCTION COMPONENT ASSEMBLY II

---



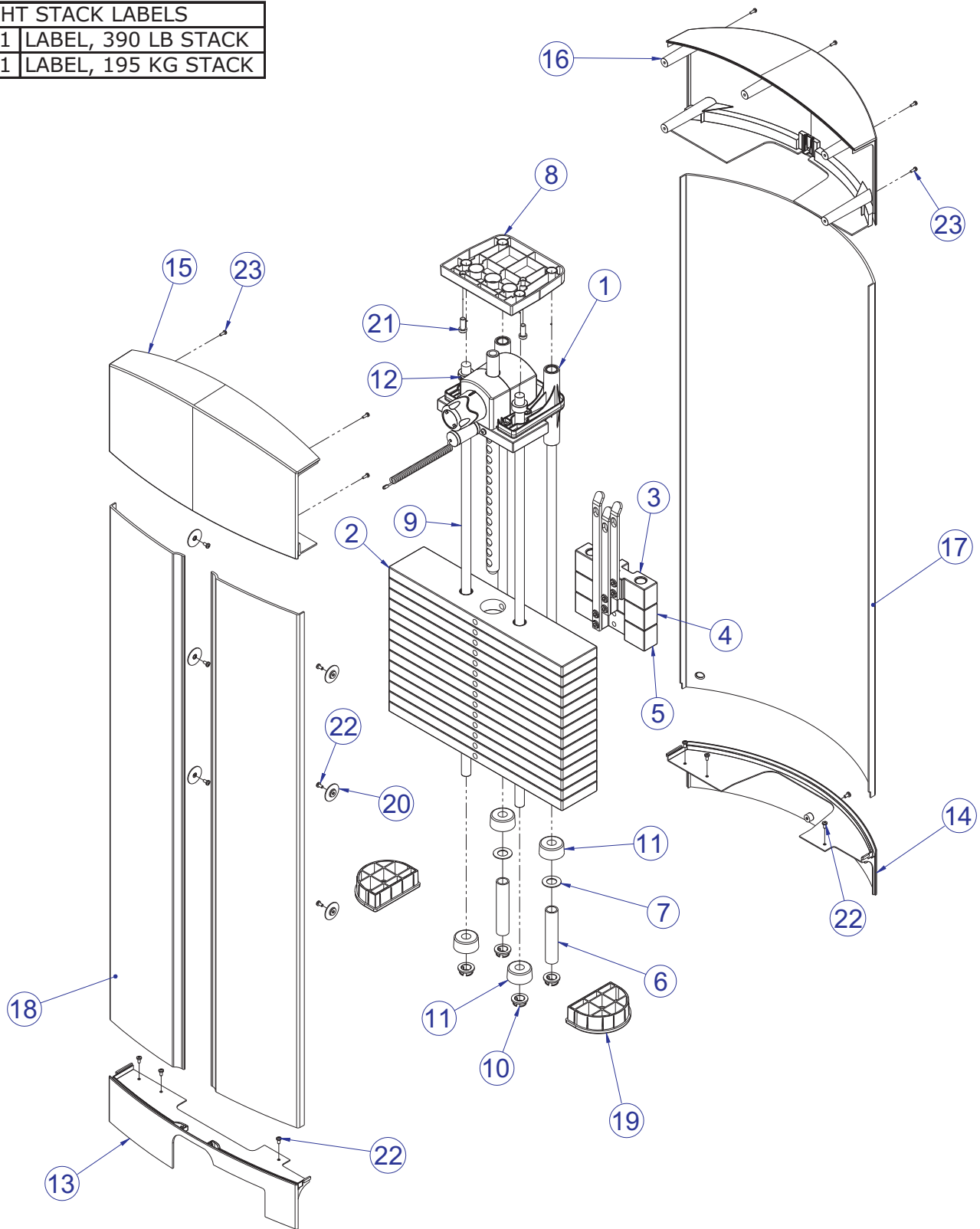
SEE PAGE 7 FOR LEGEND

# FZHAD HIP ADDUCTION COMPONENT ASSEMBLY LEGEND

| ITEM NO. | QTY.                         | PART NO.      | DESCRIPTION                             | FRAME COLOR |
|----------|------------------------------|---------------|---|-------------|
| 1        | 1                            | 7592001       | SHAFT, FZ, 25MM                         | -           |
| 2        | 1                            | 7592101       | SHAFT, FZ, 25MM X 10.12 LG.             | -           |
| 3        | 6                            | 3235601       | BEARING, 6205 BALL                      | -           |
| 4        | 1                            | 74741XX       | PAD, LARGE BACK                         | -           |
| 5        | 1                            | 72972XX       | PAD, LARGE CHAIR                        | -           |
| 6        | 1                            | 7334001       | FOOT, 2.50 X 4.49 FLOV                  | -           |
| 7        | 8                            | 7333801       | CAP, SMALL FLOV- END                    | -           |
| 8        | 2                            | 7333901       | CAP, LARGE FLOV- END                    | -           |
| 9        | 1                            | 7424801       | KNOB, POP PIN, SHADOW GRAY              | -           |
|          |                              | 7424803       | KNOB, POP PIN, YELLOW                   | -           |
| 10       | 4                            | 7606201       | GRIP, USER ARM                          | -           |
| 11       | 2                            | 7352001       | BUMPER, 2-1/8 X 4-5/8                   | -           |
| 12       | 6                            | 3237403       | PLUG, 1" HOLE                           | -           |
| 13       | 5                            | 3237801       | PULLEY, 4.5" OD                         | -           |
| 14       | 1                            | 7340201       | COVER, FOOT - STRAIGHT                  | -           |
| 15       | 1                            | 7318201       | PLATE, PULLEY                           | ANY         |
| 16       | 1                            | 7318295       | PLATE, PULLEY                           | ANY         |
| 17       | 1                            | 8102901       | COVER, PULLEY-BOLTED FULL               | -           |
| 18       | 1                            | 7795202       | PIN, SPRING RATCHET - LONG              | -           |
| 19       | 1                            | 7322301       | PLATE, 1.97 OD X .44 ID 10GA            | -           |
| 20       | 3                            | 7330001       | SPACER, INTERNAL X .403                 | -           |
| 21       | 2                            | 7330005       | SPACER, INTERNAL X 6.265                | -           |
| 22       | 2                            | 7662801       | RING, GRIP 1.25 OD                      | -           |
| 23       | 2                            | 7662901       | CAP, GRIP 1.25 OD                       | -           |
| 24       | 2                            | 3235801       | GRIP, OPEN END                          | -           |
| 25       | 1                            | 76265XX       | PAD, FZHIP HAD/HAB-LH                   | -           |
| 26       | 1                            | 76266XX       | PAD, HIP HAD/HAB-RH                     | -           |
| 27       | 41                           | 3236601       | WASHER, 3/8 SAE SS                      | -           |
| 28       | 10                           | 3236202       | SCREW, M10 X1.5 25MM                    | -           |
| 29       | 1                            | 3110008       | ROLL PIN, 1/8 X 1-1/4                   | -           |
| 30       | 1                            | 7351501       | SPRING, PULL PIN LARGE                  | -           |
| 31       | 2                            | 3236214       | SCREW, M10 X1.5 85MM                    | -           |
| 32       | 14                           | 3236801       | NUT, M10 HEX NYLOCK SS                  | -           |
| 33       | 3                            | 3236208       | SCREW, M10 X1.5 55MM                    | -           |
| 34       | 9                            | 3236204       | SCREW, M10 X1.5 35MM                    | -           |
| 35       | 4                            | 7347301       | NUT, SPIDER M10 X 1.5                   | -           |
| 36       | 4                            | 3236206       | SCREW, M10 X1.5 45MM                    | -           |
| 37       | 1                            | 7335401       | NUT, M10 X 1.5 SOCKET HEAD              | -           |
| 38       | 2                            | 6757701       | CLIP, CABLE 2-7/8 X 1 X 1               | -           |
| 39       | 1                            | SEE PAGE 8/14 | ASSY, MID TOWER HAD/HAB-14              | -           |
| 40       | 4                            | 3238601       | M10X1.5 BLIND THREADED INSERT (HEX)     | -           |
| 41       | 2                            | 7326201       | CAP, D-TUBE - TOP                       | ANY         |
| 42       | 1                            | 7330006       | SPACER, INTERNAL X 1.765                | -           |
| 43       | 3                            | 3236205       | SCREW, M10 X1.5 40MM                    | -           |
| 44       | 2                            | 7690101       | BUMPER, SLEEVE - 1 INCH DIA             | -           |
| 45       | 1                            | 7593501       | BRACKET, FZ, SHAFT                      | ANY         |
| 46       | 1                            | 7570001       | WLDMT, CAM FZHAD                        | ANY         |
| 47       | 1                            | 7567701       | WLDMT, FZ HAD, PIVOT LEG - RT           | ANY         |
| 48       | 1                            | 7593401       | BRACKET, FZ, SEAT                       | ANY         |
| 49       | 1                            | POSSIBLE RMA  | WLDMT, FZ-HAD/HAB, FRAME                | ANY         |
| 50       | 1                            | 7567601       | WLDMT, FZHAD, PIVOT LEG-LF              | ANY         |
| 51       | 2                            | 7609501       | PLATE, FOOT, FZ HAD/HAB                 | ANY         |
| 52       | 1                            | 8979501       | PLATE, FZHAD ADJUSTER                   | -           |
| 53       | 5                            | 3236902       | NUT, HEX JAM M16 X 2 SS                 | -           |
| 54       | 2                            | 7573701       | CABLE, PSHAD/HAB                        | -           |
| 55       | 1                            | 7423720       | CABLE, FZHAD 139                        | -           |
| 56       | 1                            | 7655501       | LABEL, FZHAD PLACARD-ENGLISH            | -           |
|          |                              | 7655502       | LABEL, FZHAD PLACARD-GERMAN             | -           |
|          |                              | 7655503       | LABEL, FZHAD PLACARD-FRENCH             | -           |
|          |                              | 7655504       | LABEL, FZHAD PLACARD-SPANISH            | -           |
|          |                              | 7655505       | LABEL, FZHAD PLACARD-ITALIAN            | -           |
|          |                              | 7655506       | LABEL, FZHAD PLACARD-DUTCH              | -           |
|          |                              | 7655507       | LABEL, FZHAD PLACARD-JAPANESE           | -           |
|          |                              | 7655508       | LABEL, FZHAD PLACARD-PORTUGUESE         | -           |
|          |                              | 7655509       | LABEL, FZHAD PLACARD-SWEDISH            | -           |
| 7655510  | LABEL, FZHAD PLACARD-RUSSIAN | -             |   |             |
| 57       | 1                            | 7655401       | LABEL, FZHAD LOGO                       | -           |
| 58       | 1                            | 82200XX       | LABEL, ASTM WARNING SELECT              | -           |
| 59       | 2                            | 8039501       | LABEL, WARNING, TRIANGLE                | -           |
| 60       | 1                            | 7571301       | LABEL, SERIAL NUMBER, BLANK             | -           |
| 61       | 2                            | 3251202       | SCREW, M10 X1.5 X 25MM UNS HEX CS ST ZN | -           |
| 62       | 1                            | 3236901       | NUT, HEX JAM M10 X 1.5 SS               | -           |
| 63       | 2                            | 3254703       | NUT, M10 X 1.5 HEX ZINC                 | -           |
| 64       | 2                            | 3251204       | SCREW, M10 X1.5 X 35MM UNS HEX CS ST ZN | -           |
| 65       | 4                            | 3236201       | SCREW, M10 X1.5 20MM                    | -           |
| 66       | 1                            | 7385203       | SPACER, .406 X .750 X .500              | -           |

# FZHAD HIP ADDUCTION MID-14 TOWER HAB/HAD ASSEMBLY - 7622101

| WEIGHT STACK LABELS |                     |
|---------------------|---------------------|
| 7927201             | LABEL, 390 LB STACK |
| 7927301             | LABEL, 195 KG STACK |



SEE PAGE 9 FOR LEGEND

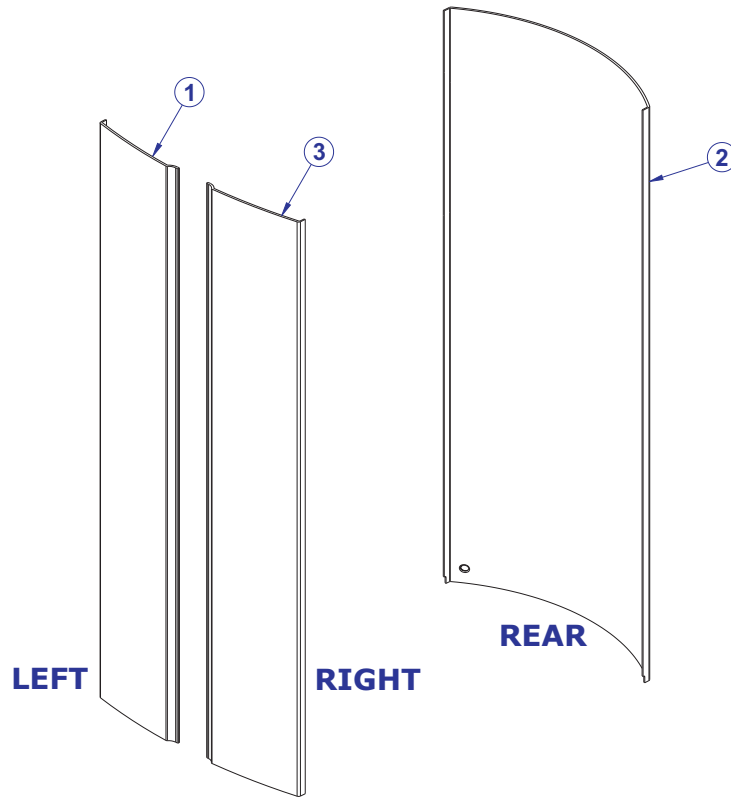



# FZHAD HIP ADDUCTION MID-14 TOWER HAB/HAD ASSEMBLY LEGEND


---


| ITEM NO. | QTY. | PART NO. | DESCRIPTION                    |
|----------|------|----------|--------------------------------|
| 1        | 1    | 7350701  | ASSY, HEAD PLATE (14)          |
| 2        | 14   | 7328401  | WEIGHT PLATE, 20 LB            |
| 3        | 1    | 7327601  | ASSY, INCREMENT WT - 5LB       |
| 4        | 1    | 7327701  | ASSY, INCREMENT WT - 10LB      |
| 5        | 1    | 7327801  | ASSY, INCREMENT WT - 15LB      |
| 6        | 2    | 7328701  | SPACER, INC WT STACK - 14 PLT  |
| 7        | 2    | 7351001  | SPACER, INC WT STACK           |
| 8        | 1    | 7621101  | RETAINER, GUIDE ROD - TOP      |
| 9        | 4    | 7328610  | GUIDE ROD, .75 OD SOLID 39.75  |
| 10       | 4    | 7337901  | BUSHING, GUIDE ROD             |
| 11       | 4    | 7352101  | CUSHION, WEIGHT STACK          |
| 12       | 4    | 3103301  | SHAFT COLLAR, 3/4 I.D. ZINC    |
| 13       | 1    | 7592301  | COVER, TOWER- BOTTOM FRONT HAD |
| 14       | 1    | 7592401  | COVER, TOWER- BOTTOM REAR HAD  |
| 15       | 1    | 7318601  | COVER, TOWER- TOP FRONT        |
| 16       | 1    | 7318701  | COVER, TOWER- TOP REAR         |
| 17       | 1    | 7765701  | SHROUD, TOWER- REAR SHORT      |
| 18       | 2    | 7765601  | SHROUD, TOWER- FRT SHORT RH    |
| 19       | 2    | 7326301  | CAP, D-TUBE - BOTTOM           |
| 20       | 6    | 7583501  | RETAINER, FZ SHROUD            |
| 21       | 2    | 3236202  | SCREW, M10 X1.5 25MM           |
| 22       | 13   | 3239101  | SCREW, M5X10 PHL PAN TT ST     |
| 23       | 9    | 3236501  | M4 X 0.7 PHL PAN MS ST ZN      |


# FZHAD HIP ADDUCTION OPTIONAL WRAPPED SHROUDS





| BAMBOO |  | ITEM NO. | QTY. | PART NO. | DESCRIPTION                      |
|--------|---|----------|------|----------|----------------------------------|
|        |   | 1        | 1    | 8954201  | SHROUD, FZ, FNT, SRT, LT -BAMBOO |
|        |   | 2        | 1    | 8949101  | SHROUD, FZ, REAR, SRT -BAMBOO    |
|        |   | 3        | 1    | 8949001  | SHROUD, FZ, FNT, SRT, RT -BAMBOO |

| SKY |  | ITEM NO. | QTY. | PART NO. | DESCRIPTION                   |
|-----|---|----------|------|----------|-------------------------------|
|     |   | 1        | 1    | 8954301  | SHROUD, FZ, FNT, SRT, LT -SKY |
|     |   | 2        | 1    | 8949301  | SHROUD, FZ, REAR, SRT -SKY    |
|     |   | 3        | 1    | 8949201  | SHROUD, FZ, FNT, SRT, RT -SKY |

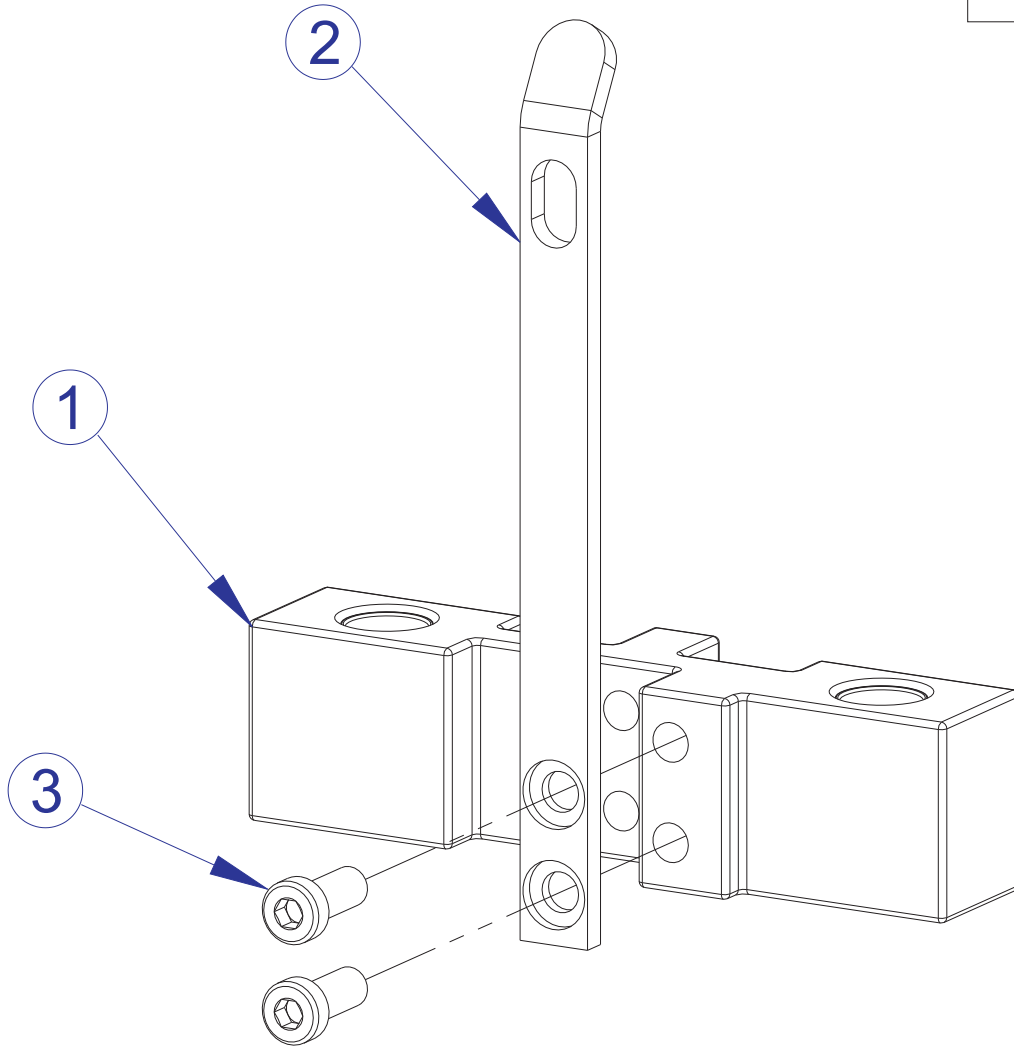
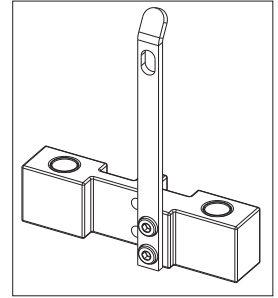
| BRONZE |  | ITEM NO. | QTY. | PART NO. | DESCRIPTION                      |
|--------|---|----------|------|----------|----------------------------------|
|        |   | 1        | 1    | 8954401  | SHROUD, FZ, FNT, LT - BRONZE     |
|        |   | 2        | 1    | 8949501  | SHROUD, FZ, REAR -BRONZE         |
|        |   | 3        | 1    | 8949401  | SHROUD, FZ, FNT, SRT, RT -BRONZE |

| STEM |  | ITEM NO. | QTY. | PART NO. | DESCRIPTION                    |
|------|---|----------|------|----------|--------------------------------|
|      |   | 1        | 1    | 8954501  | SHROUD, FZ, FNT, SRT, LT -STEM |
|      |   | 2        | 1    | 8949701  | SHROUD, FZ, REAR, SRT -STEM    |
|      |   | 3        | 1    | 8949601  | SHROUD, FZ, FNT, SRT, RT -STEM |

| ROSEWOOD |  | ITEM NO. | QTY. | PART NO. | DESCRIPTION                        |
|----------|---|----------|------|----------|------------------------------------|
|          |   | 1        | 1    | 8954601  | SHROUD, FZ, FNT, SRT, LT -ROSEWOOD |
|          |   | 2        | 1    | 8949901  | SHROUD, FZ, REAR, SRT -ROSEWOOD    |
|          |   | 3        | 1    | 8949801  | SHROUD, FZ, FNT, SRT, RT -ROSEWOOD |

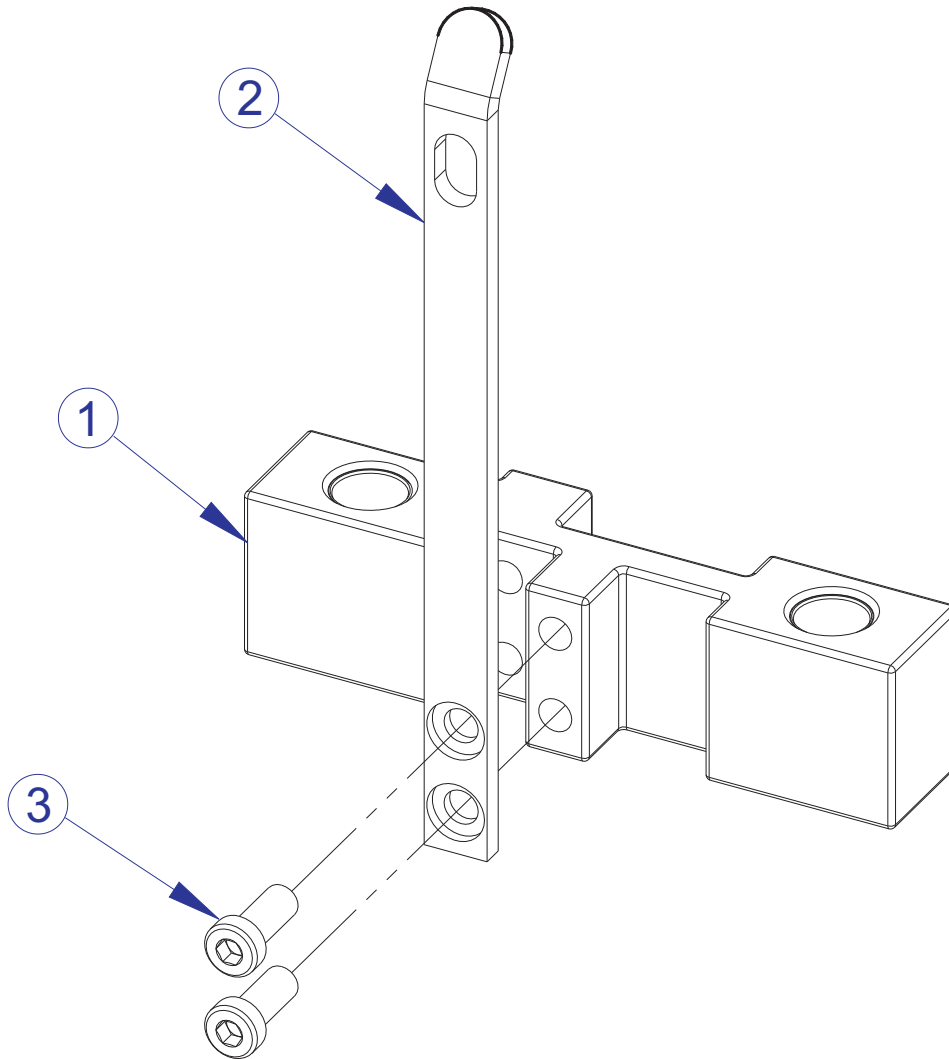
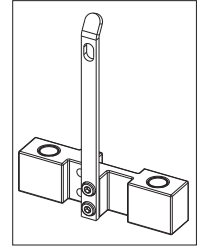
| STAINLESS<br>STEEL |  | ITEM NO. | QTY. | PART NO. | DESCRIPTION                               |
|--------------------|---|----------|------|----------|---|
|                    |   | 1        | 1    | 8954701  | SHROUD, FZ, FNT, SRT, LT -STAINLESS STEEL |
|                    |   | 2        | 1    | 8950101  | SHROUD, FZ, REAR, SRT -STAINLESS STEEL    |
|                    |   | 3        | 1    | 8950001  | SHROUD, FZ, FNT, SRT, RT-STAINLESS STEEL  |

# FZHAD HIP ADDUCTION 5 LB. INCREMENT WEIGHT ASSEMBLY - 7327601



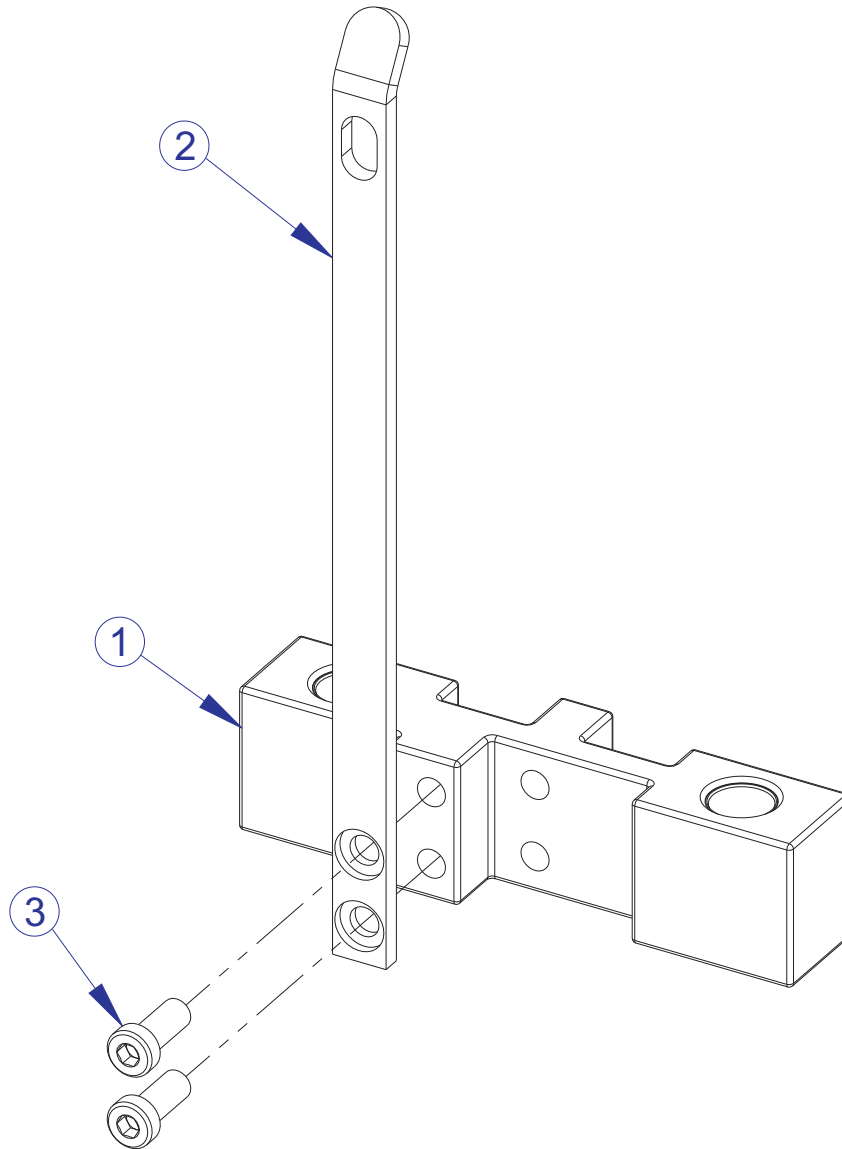
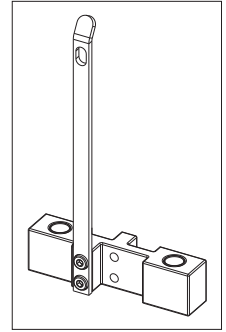
| ITEM NO. | QTY. | PART NO. | DESCRIPTION               |
|----------|------|----------|---------------------------|
| 1        | 1    | 7968501  | ASSY, FZ INC WEIGHT 5LB   |
| 2        | 1    | 7328001  | BRKT, INCREMENT WT - 5 LB |
| 3        | 2    | 3236202  | SCREW, M10 X1.5 25MM      |

# FZHAD HIP ADDUCTION 10 LB. INCREMENT WEIGHT ASSEMBLY - 7327701



| ITEM NO. | QTY. | PART NO. | DESCRIPTION                |
|----------|------|----------|----------------------------|
| 1        | 1    | 7968501  | ASSY, FZ INC WEIGHT 5LB    |
| 2        | 1    | 7328101  | BRKT, INCREMENT WT - 10 LB |
| 3        | 2    | 3236202  | SCREW, M10 X1.5 25MM       |

# FZHAD HIP ADDUCTION 15 LB. INCREMENT WEIGHT ASSEMBLY - 7327801

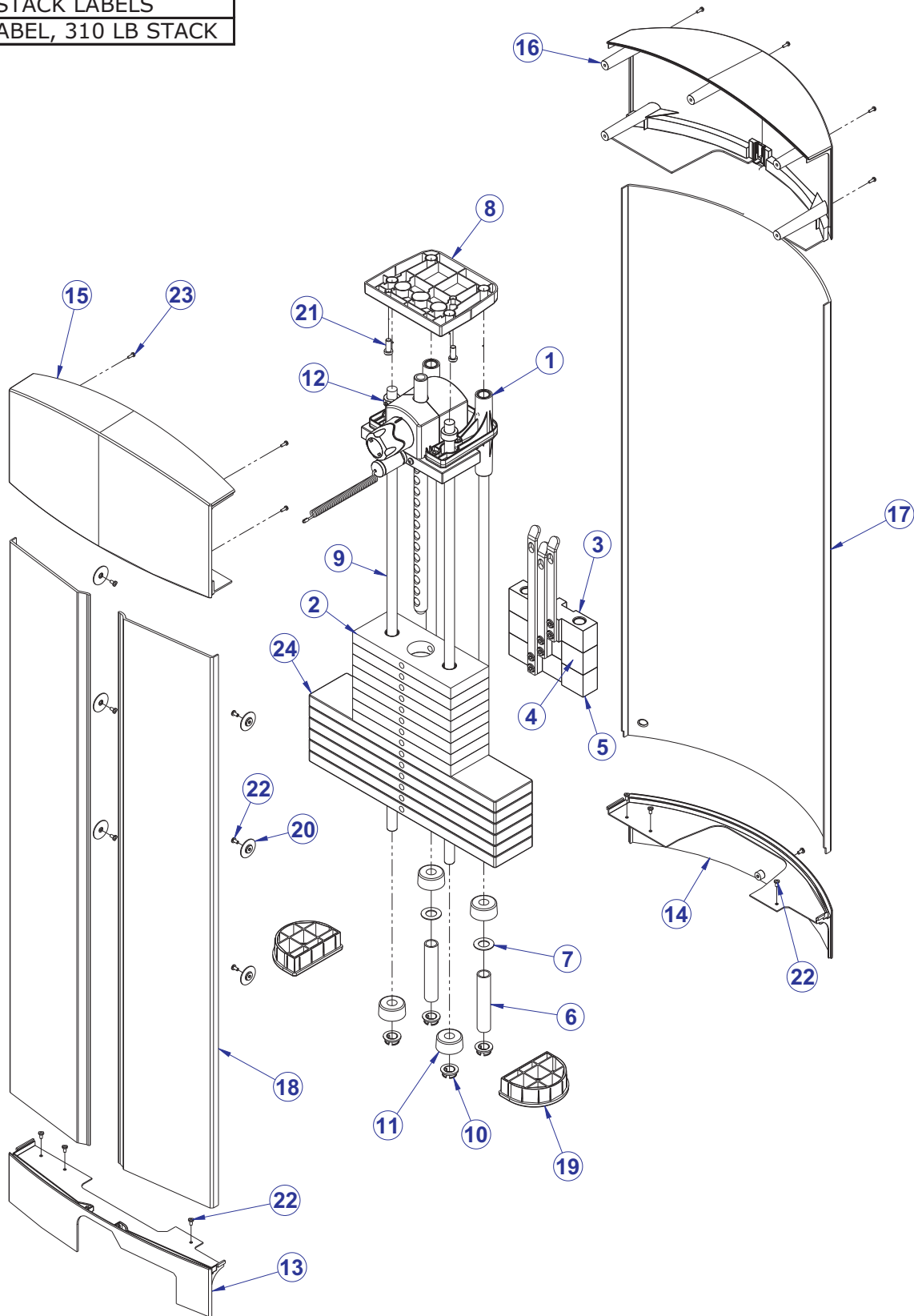


| ITEM NO. | QTY. | PART NO. | DESCRIPTION                |
|----------|------|----------|----------------------------|
| 1        | 1    | 7968501  | ASSY, FZ INC WEIGHT 5LB    |
| 2        | 1    | 7328201  | BRKT, INCREMENT WT - 15 LB |
| 3        | 2    | 3236202  | SCREW, M10 X1.5 25MM       |

# FZHAD HIP ADDUCTION

OPTIONAL LIGHT MID-14 TOWER HAB/HAD ASSY. - 8866601

|                     |                     |
|---------------------|---------------------|
| WEIGHT STACK LABELS |                     |
| 8867001             | LABEL, 310 LB STACK |



SEE PAGE 15 FOR LEGEND

# FZHAD HIP ADDUCTION

## OPTIONAL LIGHT MID-14 TOWER HAB/HAD ASSY. LEGEND

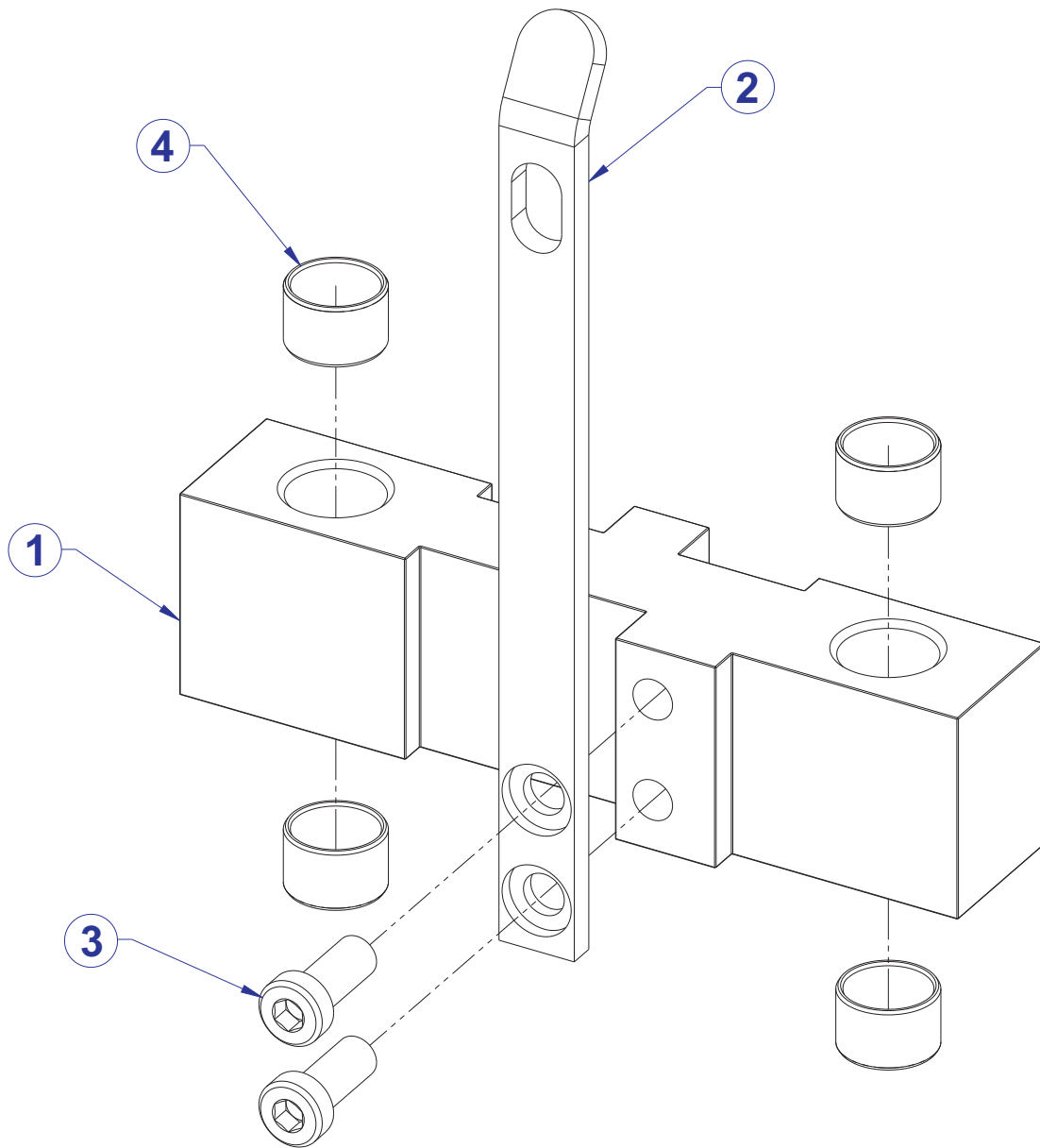
---

| ITEM NO. | QTY. | PART NO. | DESCRIPTION                    |
|----------|------|----------|--------------------------------|
| 1        | 1    | 7350701  | ASSY, HEAD PLATE (14)          |
| 2        | 8    | 7353701  | ASSY, 10 LB PLATE              |
| 3        | 1    | 8861301  | ASSY, FZ INC WEIGHT - 2.5 LB   |
| 4        | 1    | 8861401  | ASSY, FZ INC WEIGHT - 5 LB     |
| 5        | 1    | 8861501  | ASSY, FZ INC WEIGHT - 7.5 LB   |
| 6        | 2    | 7328701  | SPACER, INC WT STACK - 14 PLT  |
| 7        | 2    | 7351001  | SPACER, INC WT STACK           |
| 8        | 1    | 7621101  | RETAINER, GUIDE ROD - TOP      |
| 9        | 4    | 7328610  | GUIDE ROD, .75 OD SOLID 39.75  |
| 10       | 4    | 7337901  | BUSHING, GUIDE ROD             |
| 11       | 4    | 7352101  | CUSHION, WEIGHT STACK          |
| 12       | 4    | 3103301  | SHAFT COLLAR, 3/4 I.D. ZINC    |
| 13       | 1    | 7592301  | COVER, TOWER- BOTTOM FRONT HAD |
| 14       | 1    | 7592401  | COVER, TOWER- BOTTOM REAR HAD  |
| 15       | 1    | 7318601  | COVER, TOWER- TOP FRONT        |
| 16       | 1    | 7318701  | COVER, TOWER- TOP REAR         |
| 17       | 1    | 7765701  | SHROUD, TOWER- REAR SHORT      |
| 18       | 2    | 7765601  | SHROUD, TOWER- FRT SHORT       |
| 19       | 2    | 7326301  | CAP, D-TUBE - BOTTOM           |
| 20       | 6    | 7583501  | RETAINER, FZ SHROUD            |
| 21       | 2    | 3236202  | SCREW, M10 X1.5 25MM           |
| 22       | 13   | 3239101  | SCREW, M5X10 PHL PAN TT ST     |
| 23       | 9    | 3236501  | M4 X 0.7 PHL PAN MS ST ZN      |
| 24       | 6    | 7328401  | WEIGHT PLATE, 20 LB            |

# FZHAD HIP ADDUCTION

## OPTIONAL 2.5 LB. INCREMENT WEIGHT ASSY. - 8861301

---



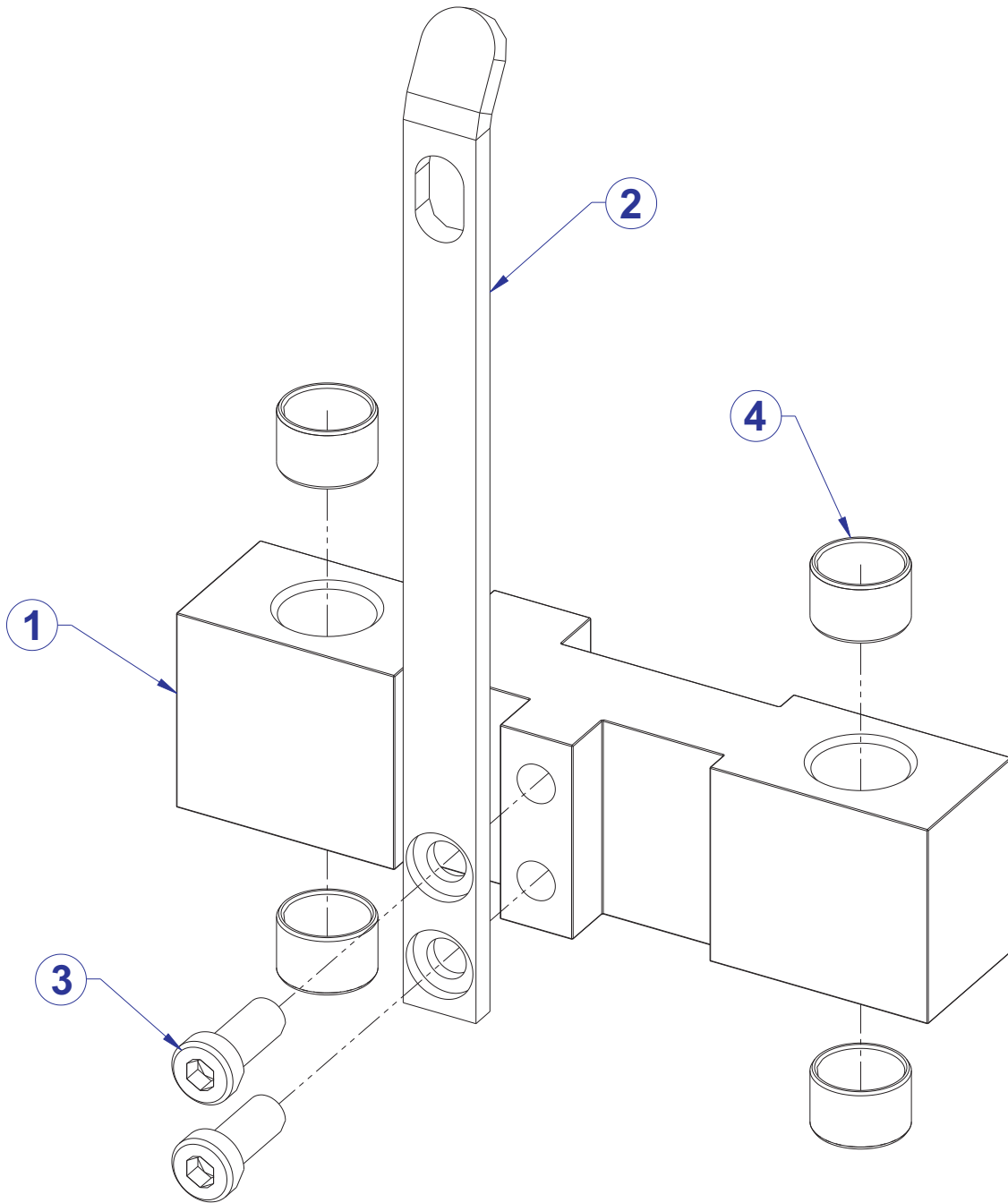
| ITEM NO. | QTY. | PART NO. | DESCRIPTION                           |
|----------|------|----------|---------------------------------------|
| 1        | 1    | 8861295  | INCREMENT WEIGHT, FZ OPTIONAL - SG    |
| 2        | 1    | 7328001  | BRKT, INCREMENT WT - 5 LB             |
| 3        | 2    | 3236202  | SCREW, M10 X1.5 25MM                  |
| 4        | 4    | 3202501  | BEARING, SLEEVE 20 ID X 23.00 X 15 MM |



# FZHAD HIP ADDUCTION

## OPTIONAL 5 LB. INCREMENT WEIGHT ASSY. - 8861401

---

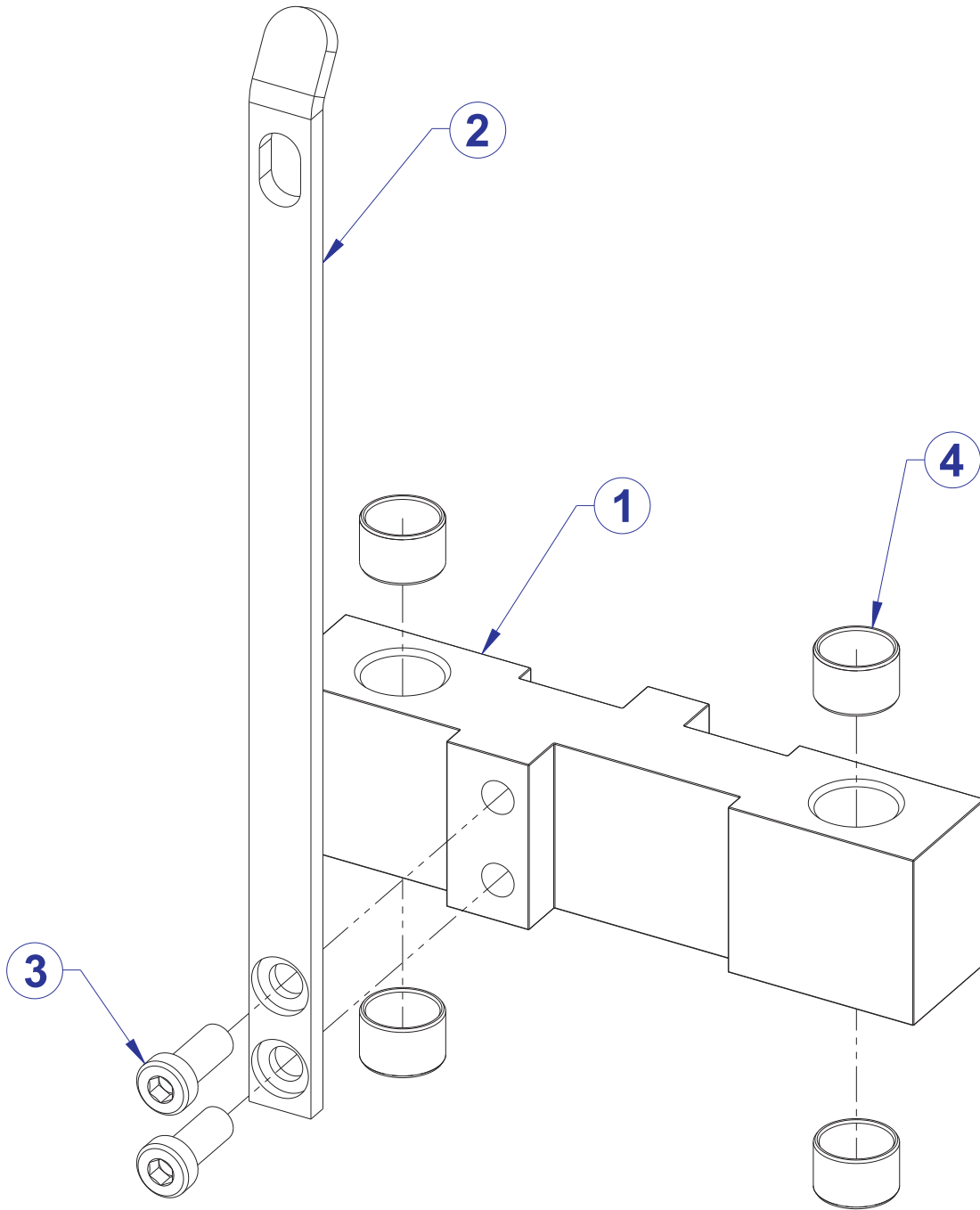


| ITEM NO. | QTY. | PART NO. | DESCRIPTION                           |
|----------|------|----------|---------------------------------------|
| 1        | 1    | 8861295  | INCREMENT WEIGHT, FZ OPTIONAL - SG    |
| 2        | 1    | 7328101  | BRKT, INCREMENT WT - 10 LB            |
| 3        | 2    | 3236202  | SCREW, M10 X1.5 25MM                  |
| 4        | 4    | 3202501  | BEARING, SLEEVE 20 ID X 23.00 X 15 MM |

# FZHAD HIP ADDUCTION

## OPTIONAL 7.5 LB. INCREMENT WEIGHT ASSY. - 8861501

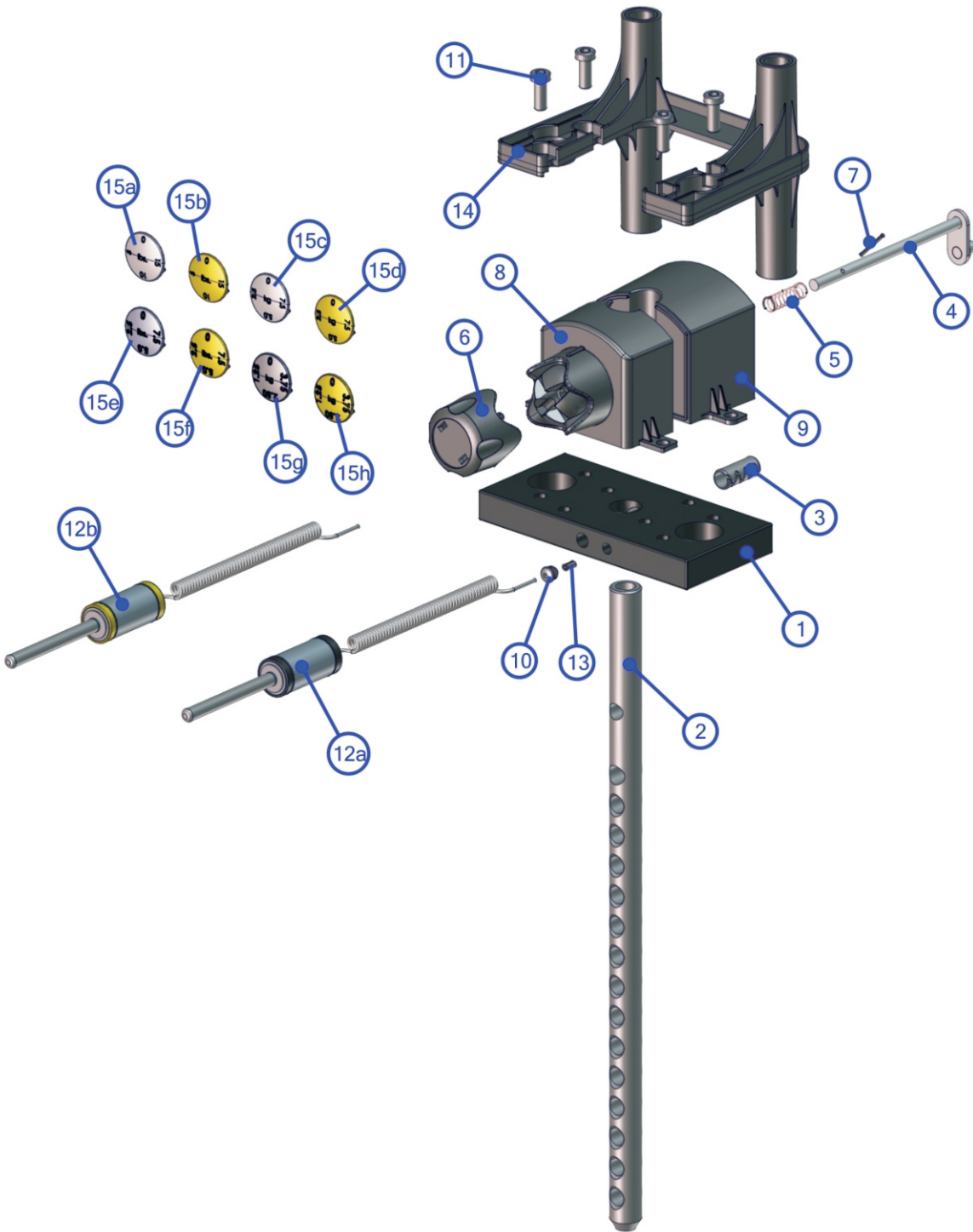
---



| ITEM NO. | QTY. | PART NO. | DESCRIPTION                           |
|----------|------|----------|---------------------------------------|
| 1        | 1    | 8861295  | INCREMENT WEIGHT, FZ OPTIONAL - SG    |
| 2        | 1    | 7328201  | BRKT, INCREMENT WT - 15 LB            |
| 3        | 2    | 3236202  | SCREW, M10 X1.5 25MM                  |
| 4        | 4    | 3202501  | BEARING, SLEEVE 20 ID X 23.00 X 15 MM |

# FZHAD HIP ADDUCTION HEAD PLATE ASSEMBLY - 7350701

---



SEE PAGE 20 FOR LEGEND

# FZHAD HIP ADDUCTION HEAD PLATE ASSEMBLY LEGEND

---

| ITEM NO. | QTY. | PART NO. | DESCRIPTION                        | WHERE USED                              |                    |
|----------|------|----------|------------------------------------|---|--------------------|
| 1        | 1    | 7326701  | HEAD PLATE                         | -                                       |                    |
| 2        | 1    | 7328901  | STEM, 14 PLATE                     | -                                       |                    |
| 3        | 1    | 3236001  | BUSHING, SPRING PIN                | -                                       |                    |
| 4        | 1    | 7327201  | WLDMT, INCREMENT WT PIN            | -                                       |                    |
| 5        | 1    | 8024501  | SPRING, 1/2 OD X 1-1/2             | -                                       |                    |
| 6        | 1    | 7326101  | KNOB, INC WT SELECTOR              | -                                       |                    |
| 7*       | 1    | 3110008  | ROLL PIN, 1/8 X 1-1/4              | -                                       |                    |
| 8*       | 1    | 7326401  | HOUSING, SELECTOR - FRONT          | -                                       |                    |
| 9*       | 1    | 7326501  | HOUSING, SELECTOR - REAR           | -                                       |                    |
| 10       | 1    | 7356501  | PLUG, LANYARD ATTACHMENT           | -                                       |                    |
| 11       | 4    | 3236202  | SCREW, M10 X1.5 25MM               | -                                       |                    |
| 12**     | a    | 1        | 7338101                            | ASSY, WT STACK SELECTOR PIN-SILVER      | -                  |
|          | b    |          | 7338103                            | ASSY, WT STACK SELECTOR PIN-YELLOW      | -                  |
| 13       | 1    | 7523601  | CRIMP, CABLE                       | -                                       |                    |
| 14       | 1    | 8867301  | ASSY, FZ, STABILIZER WITH BUSHINGS | -                                       |                    |
| 15**     | a    | 1        | 7398601                            | CAP, SELECTOR KNOB - 5 LBS, SILVER      | REG. STACK / LBS.  |
|          | b    |          | 7398603                            | CAP, FZ SELECTOR KNOB - 5 LBS, YELLOW   | REG. STACK / LBS.  |
|          | c    |          | 7398701                            | CAP, FZ SELECTOR KNOB - 2.5 KG, SILVER  | REG. STACK / KG.   |
|          | d    |          | 7398703                            | CAP, FZ SELECTOR KNOB - 2.5 KG, YELLOW  | REG. STACK / KG.   |
|          | e    |          | 8865801                            | CAP, FZ SELECTOR KNOB - 2.5 LBS, SILVER | LIGHT STACK / LBS. |
|          | f    |          | 8865803                            | CAP, FZ SELECTOR KNOB - 2.5 LBS, YELLOW | LIGHT STACK / LBS. |
|          | g    |          | 8946501                            | CAP, FZ SELECTOR KNOB - 1.25 KG, SILVER | LIGHT STACK / KG.  |
|          | h    |          | 8946503                            | CAP, FZ SELECTOR KNOB - 1.25 KG, YELLOW | LIGHT STACK / KG.  |

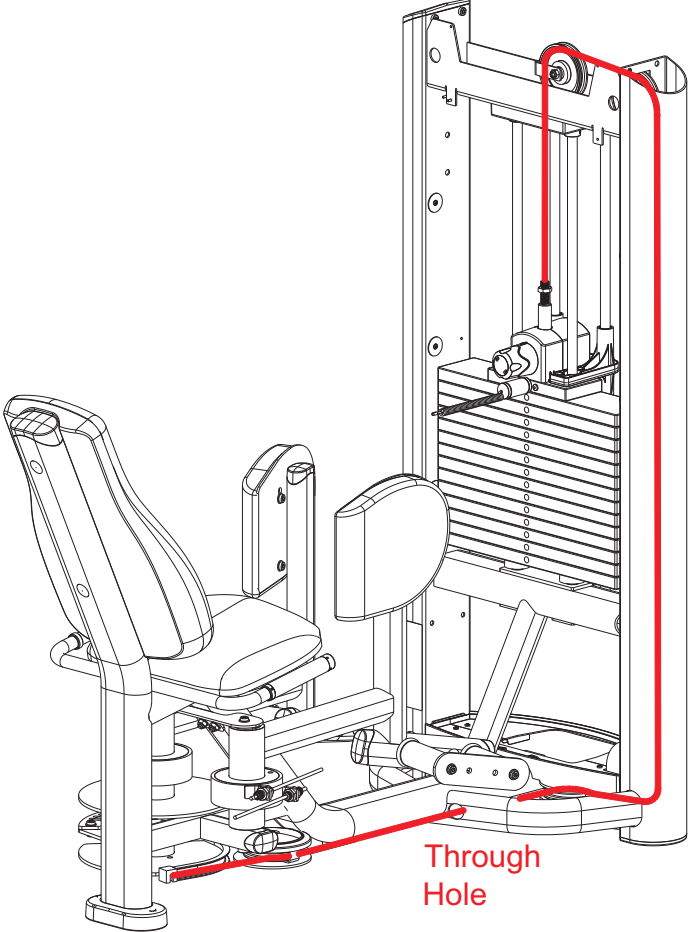
\* Kit exists for component set. See bulletin FZ02012701N

\*\* Language specific/Weight stack item. Order separately-not part of assembly.

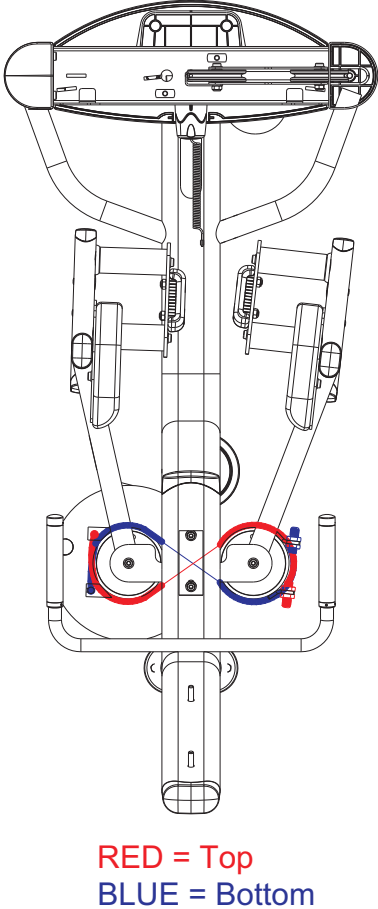
# FZHAD HIP ADDUCTION CABLE ROUTING

---

### WEIGHT STACK CABLE



### FIGURE 8 CABLES



# FZHAD HIP ADDUCTION IMAGE

---

